

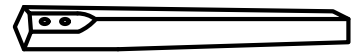
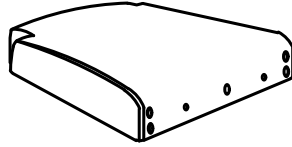
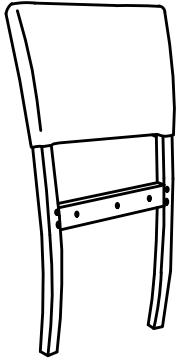
ASSEMBLY INSTRUCTION

WF321687

ATTENTION:

1. Check to ensure all parts and hardware are present.
2. We have provided Extra Hardware of A/B/C/D/E/F in case of any bolts missing in the boxes.
3. Do not fully tighten all bolts until all parts are in place. Failure to follow these instructions may cause the bolt to misalign during assembly.

Part List



① x1PC

② x1PC

③ x2PCS

Hardware



Ø10*30mm

A x1PC



5/16 x40mm

B x2PCS



5/16 x63mm

C x4PCS



5/16 x83mm

D x4PCS



M8

E x10PCS



8*22*1.5

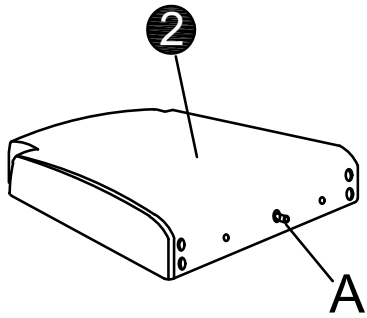
F x10PCS



M5

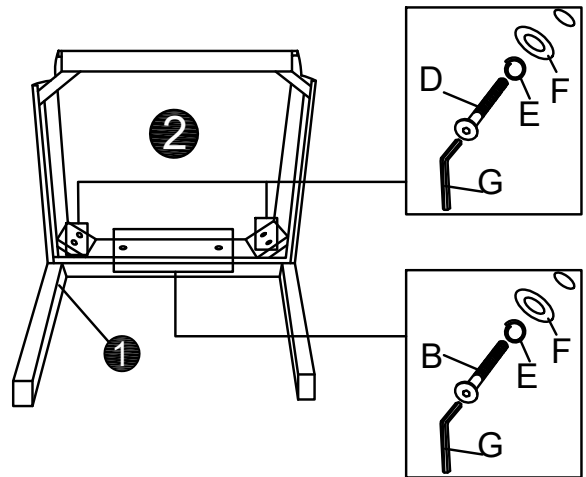
G x1PC






Step 1



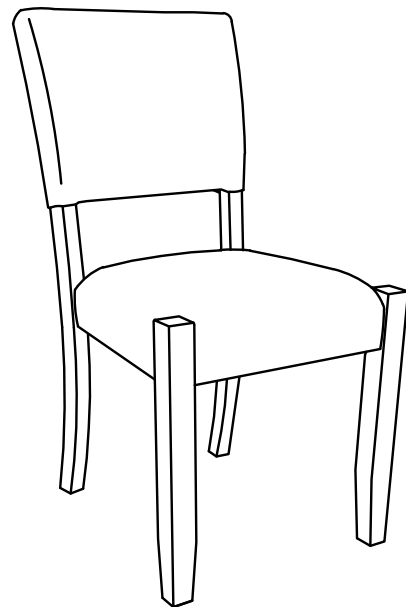
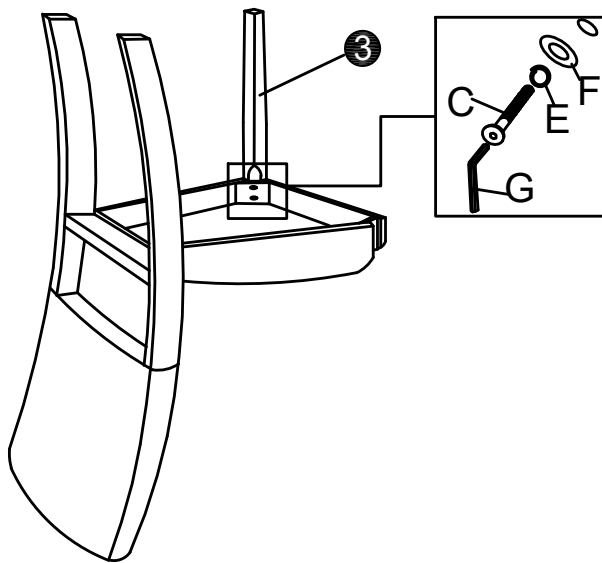
A  1PC





Step 2



- B  2PCS
- D  4PCS
- E  6PCS
- F  6PCS
- G  1PC

Step 3



- C  4PCS
- E  4PCS
- F  4PCS
- G  1PC