

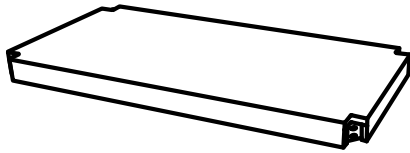
ASSEMBLY INSTRUCTION

WF321684

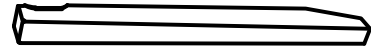
ATTENTION:

1. Check to ensure all parts and hardware are present.
2. We have provided Extra Hardware of A/B/C in case of any bolts missing in the boxes.
3. Do not fully tighten all bolts until all parts are in place. Failure to follow these instructions may cause the bolt to misalign during assembly.

Part List



① x1PC



② x4PCS

Hardware



5/16 x63mm

A x8PCS



M8

B x8PCS



8 x22x1.5

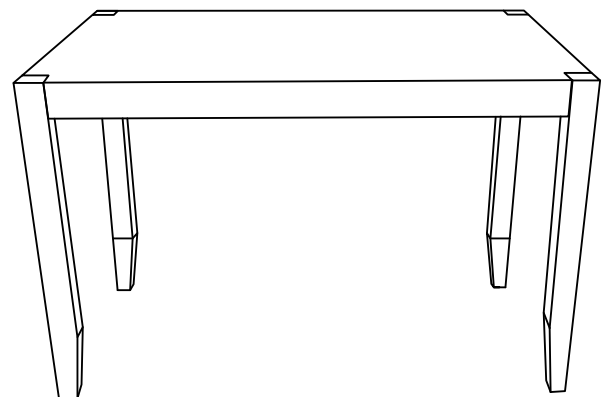
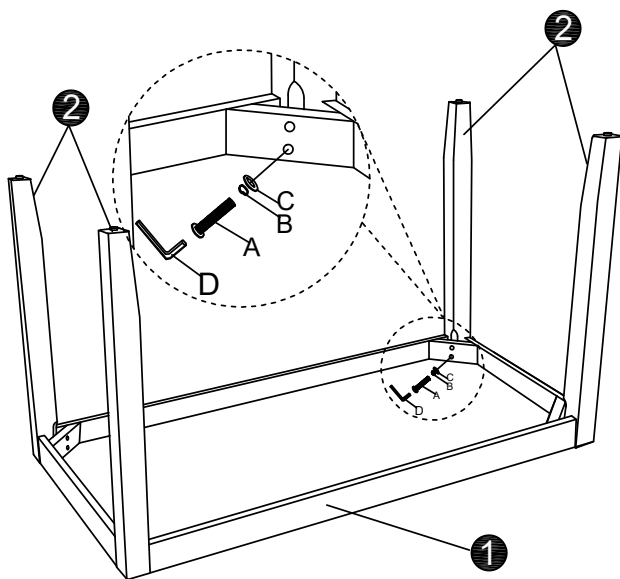
C x8PCS



M5

D x1PC

Step 1



A		8PCS
B		8PCS
C		8PCS
D		1PC