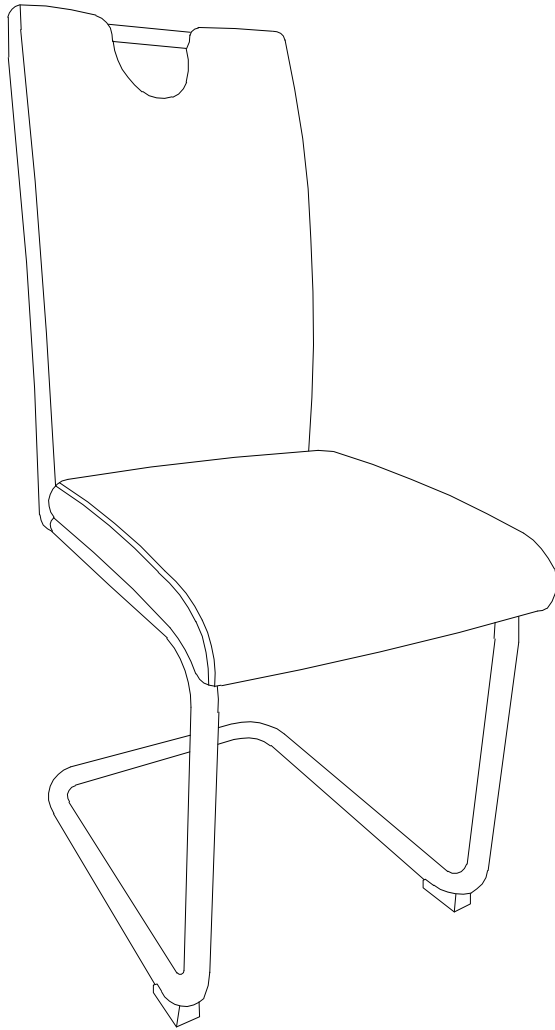


# ASSEMBLY INSTRUCTIONS

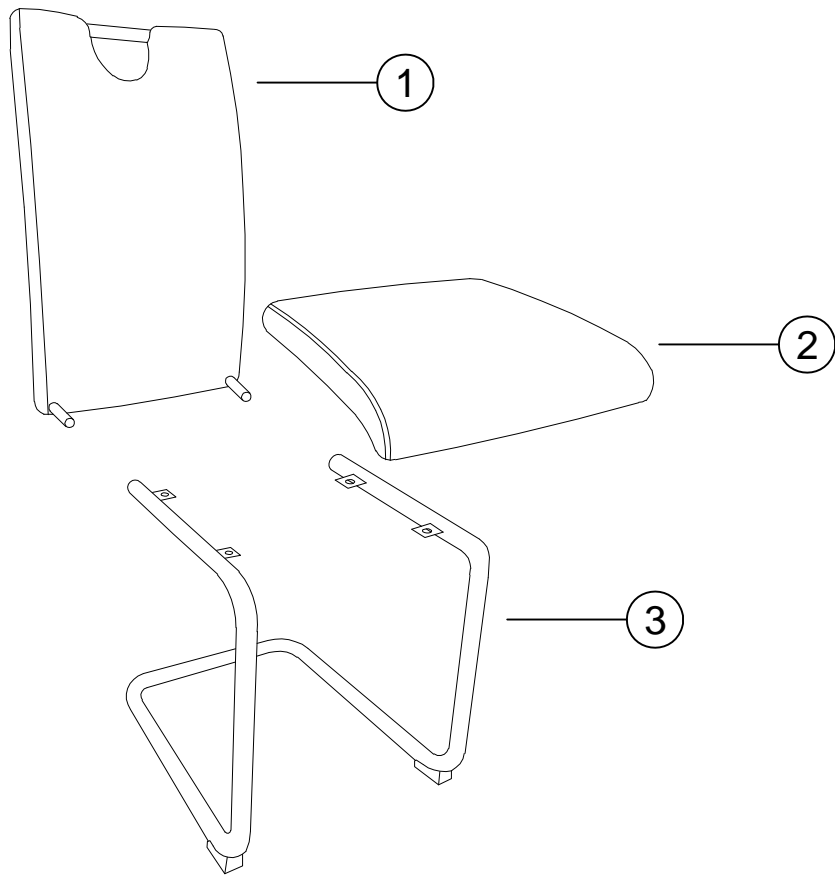
## DINING CHAIR



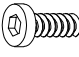



WF312276

**IMPORTANT NOTE:**

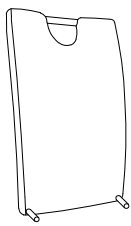
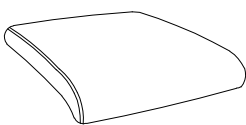
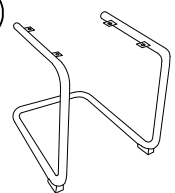
1. Place all parts on a clean and smooth surface such as a rug or carpet to avoid the parts from being scratched.
2. Before you begin, kindly follow the assembly instructions step by step.
3. Do not tighten all screws and bolts until the chair is fully set-up.
4. Please do not return to store, contact the seller if you have any troubles with this product.



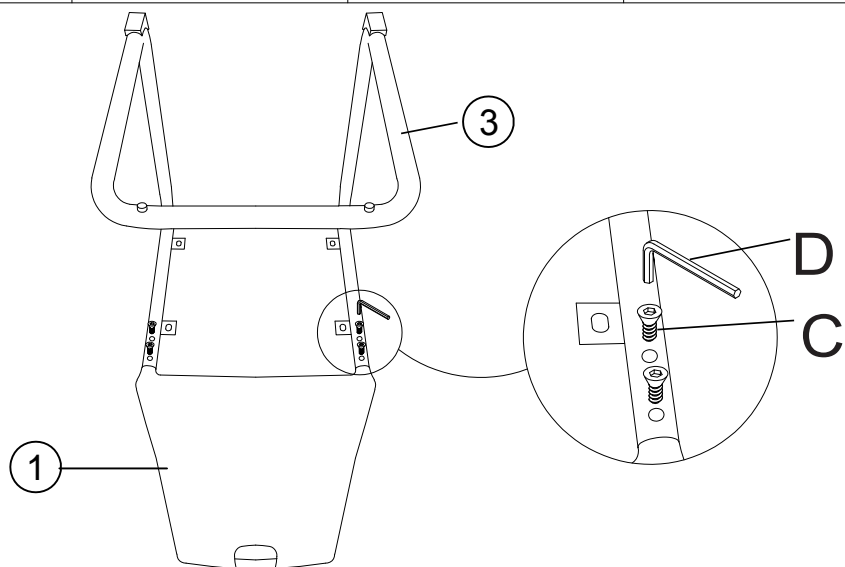
## Hardware List

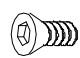
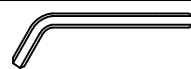
<b>(A)</b>  M6 x 16 MM	<b>(D)</b> 
BOLT (4pcs)	ALLEN KEY (1pc)
<b>(B)</b>  $\varnothing 14\text{mm}$	
LOCK WASHER (4pcs )	
<b>(C)</b>  M6 x 13 MM	
BOLT (4pcs)	

# Part List

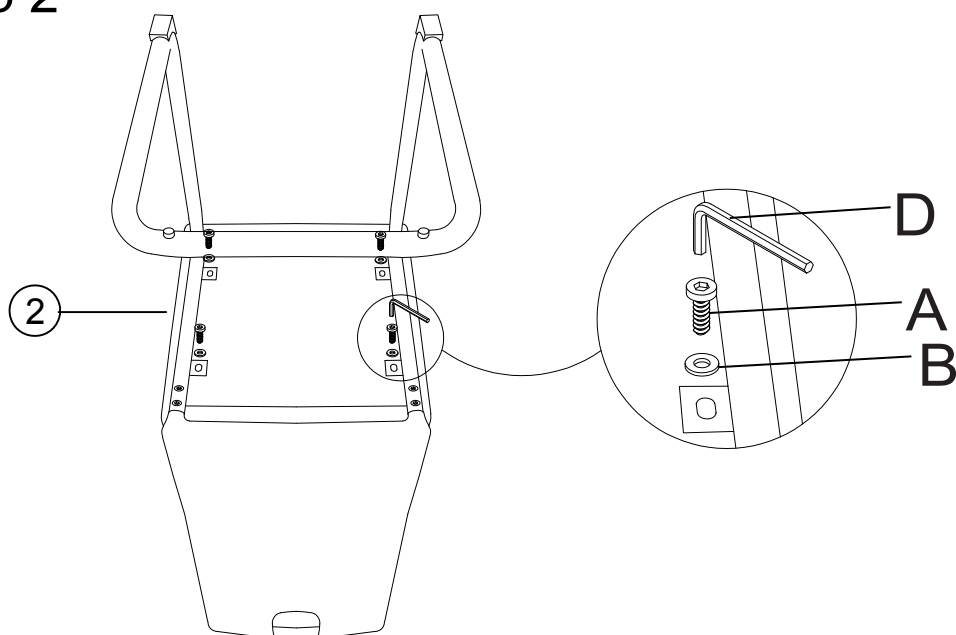
				
back x 1	seat x 1	leg A x 1		

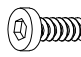


## Step 1



C	 M6 x 13 MM	4pcs	D		1pc

## Step 2



A	 M6 x 20 MM	4pcs	D		1pc
B	 $\varnothing 14\text{mm}$	4pcs			

Step 3

