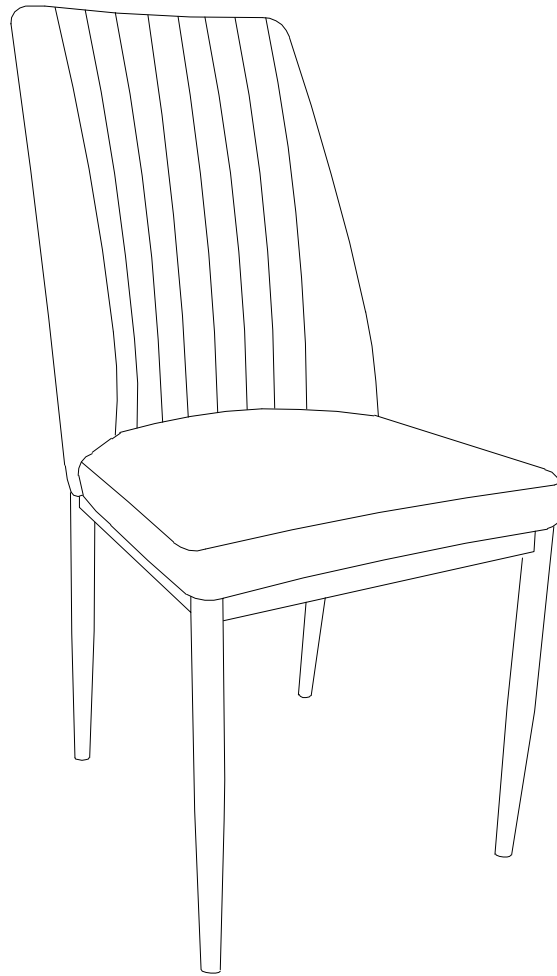


# ASSEMBLY INSTRUCTIONS

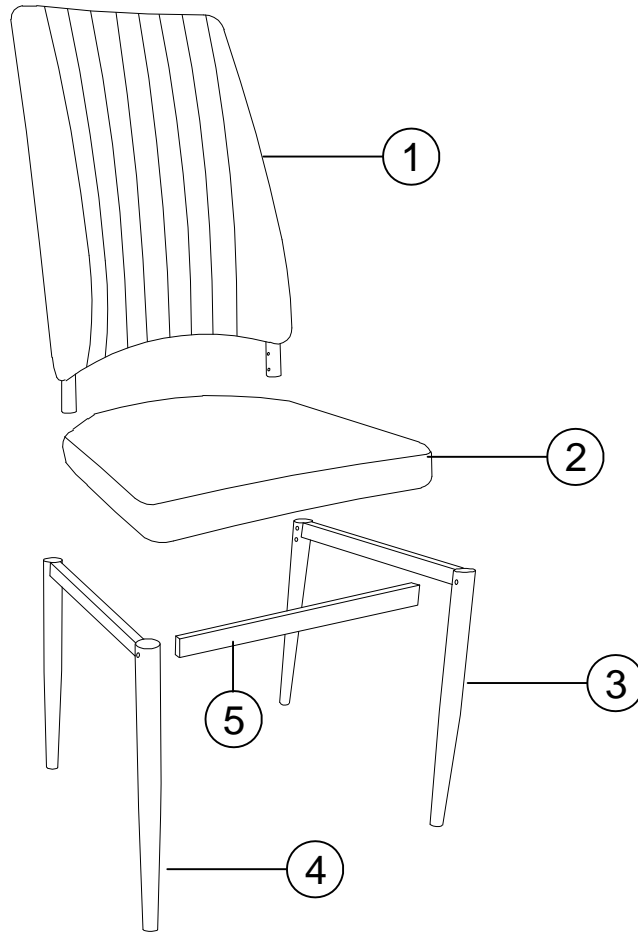
## DINING CHAIR




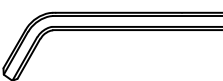


WF312263

**IMPORTANT NOTE:**

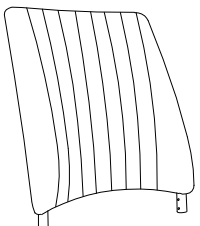

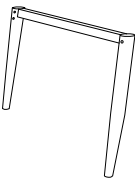
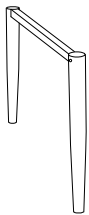

1. Place all parts on a clean and smooth surface such as a rug or carpet to avoid the parts from being scratched.
2. Before you begin, kindly follow the assembly instructions step by step.
3. Do not tighten all screws and bolts until the chair is fully set-up.
4. Please do not return to store, contact the seller if you have any troubles with this product.



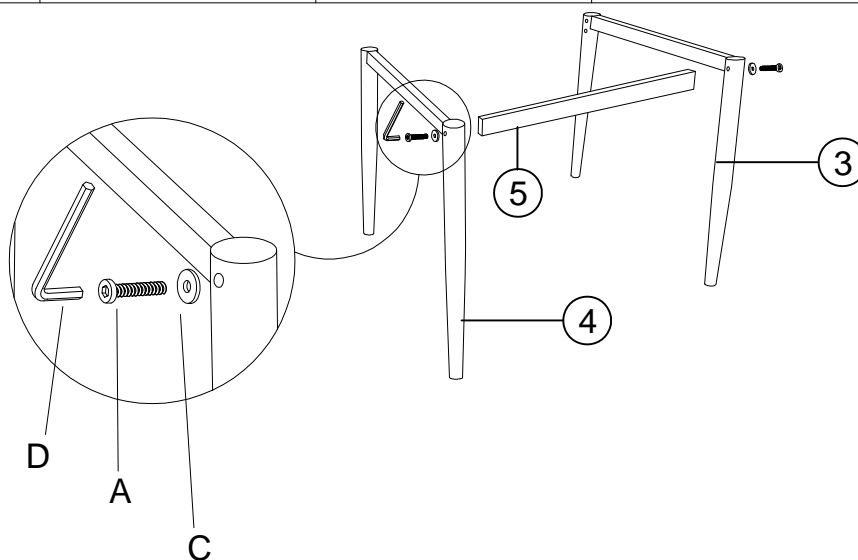
## Hardware List




<p><b>A</b></p>  <p>M6 x 40 MM</p>	<p><b>D</b></p> 
<p>BOLT (6pcs)</p>	<p>ALLEN KEY (1pc)</p>
<p><b>B</b></p>  <p>M6 x 13 MM</p>	
<p>BOLT (4pcs)</p>	
<p><b>C</b></p>  <p>ø14mm</p>	
<p>LOCK WASHER (10pcs)</p>	

# Part List

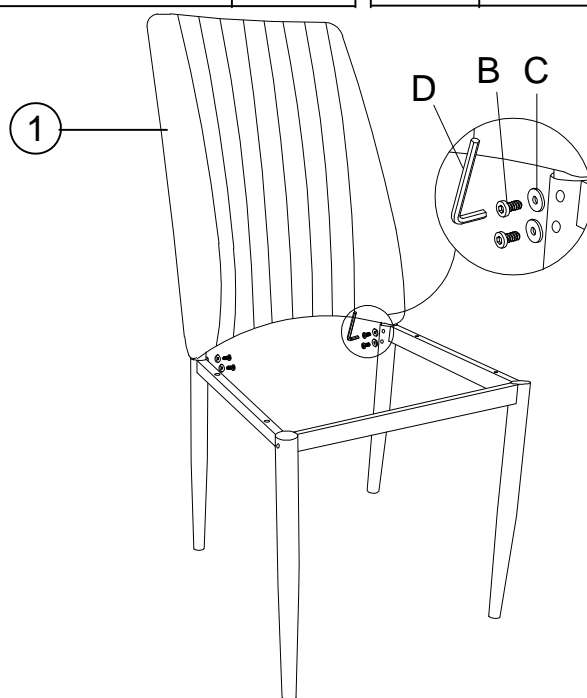
				
back x 1	seat x 1	leg A x 1	leg B x 1	connection x 1




## Step 1



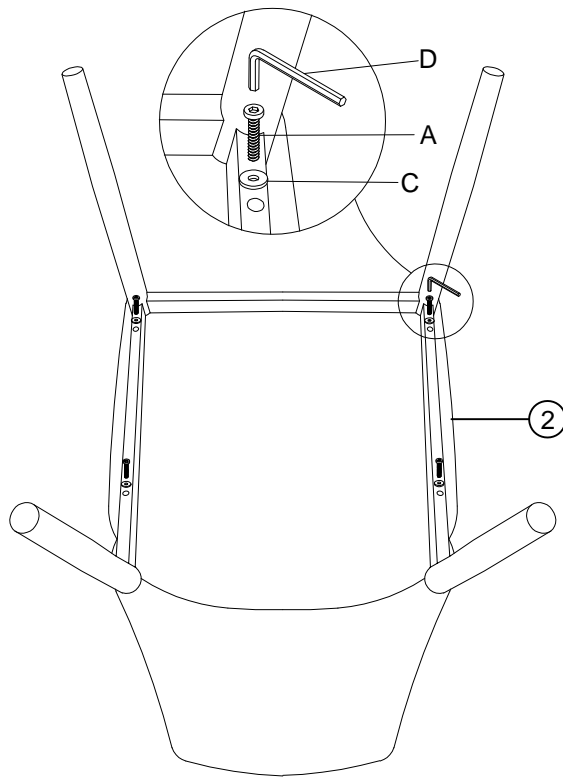
A	 M6 x 40 MM	2pcs	D		1pc
C	 ø14mm	2pcs			




## Step 2



B	 M6 x 13 MM	4pcs	D		1pc
C	 ø14mm	4pcs			

# Step 3



A	 M6 x 40 MM	4pcs	D		1pc
C	 ø14mm	4pcs			

