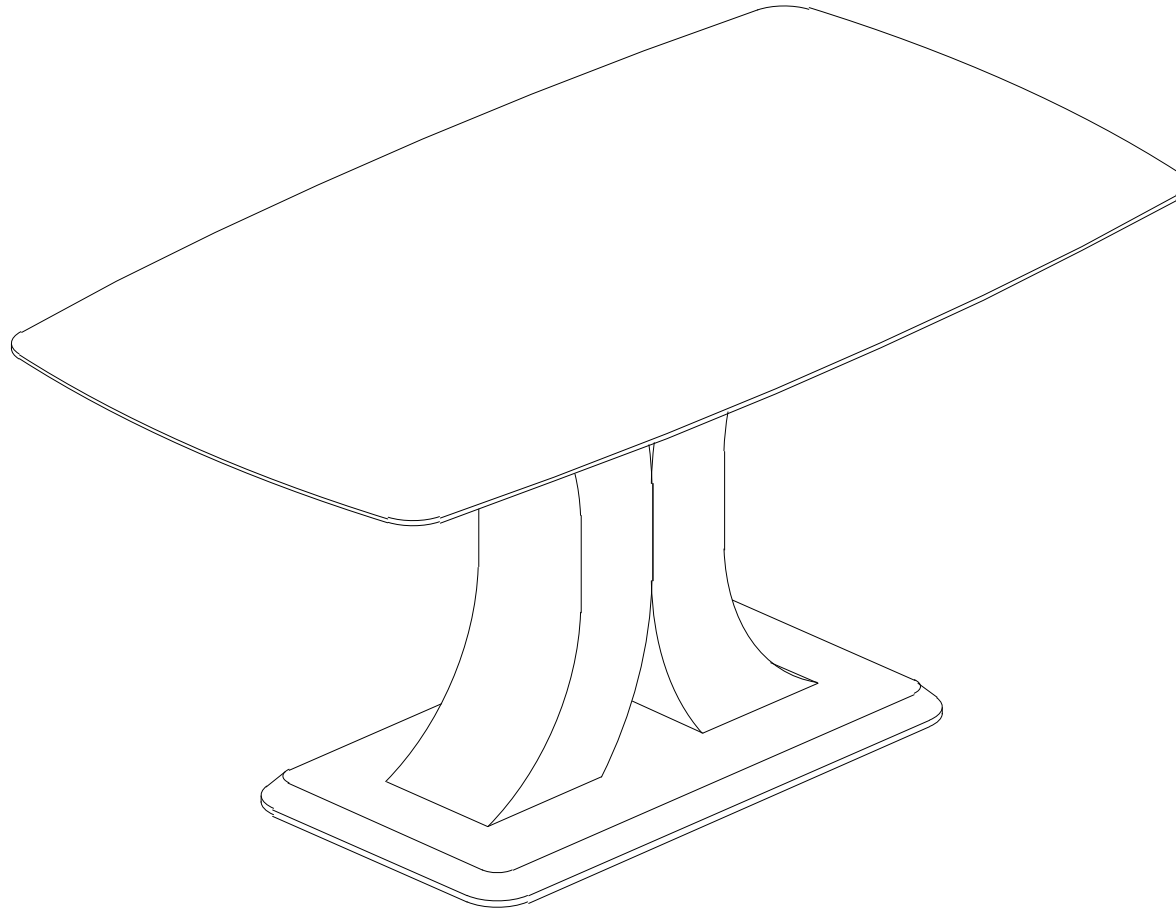


ASSEMBLY INSTRUCTION

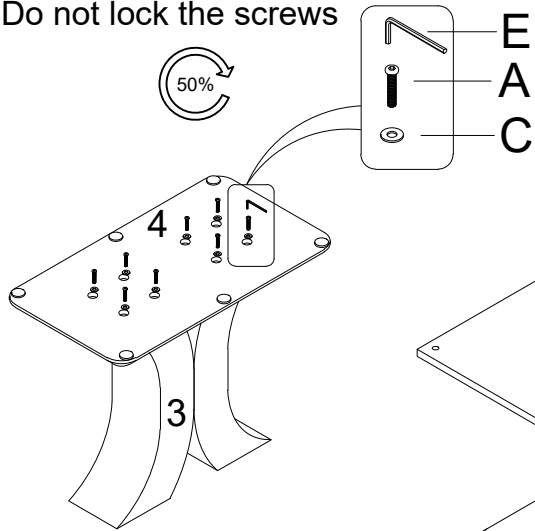
WF312264
WF312265
WF312266



ASSEMBLY INSTRUCTION

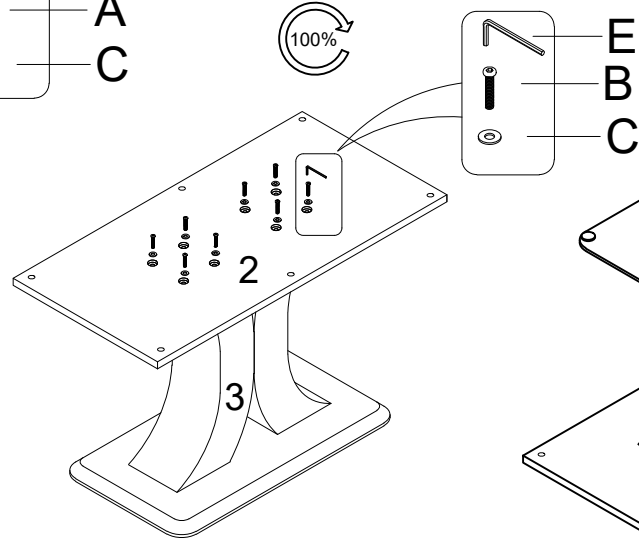
STEP 1

Do not lock the screws



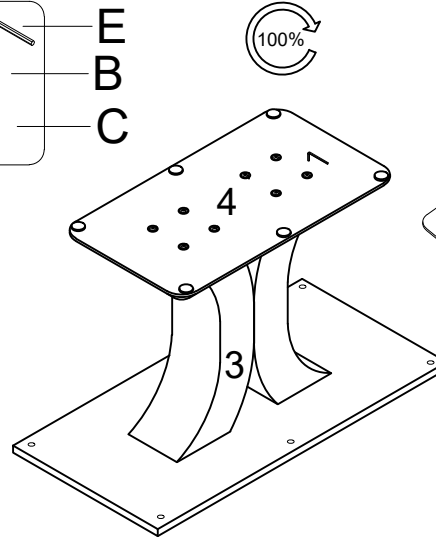
STEP 2

Lock all screws

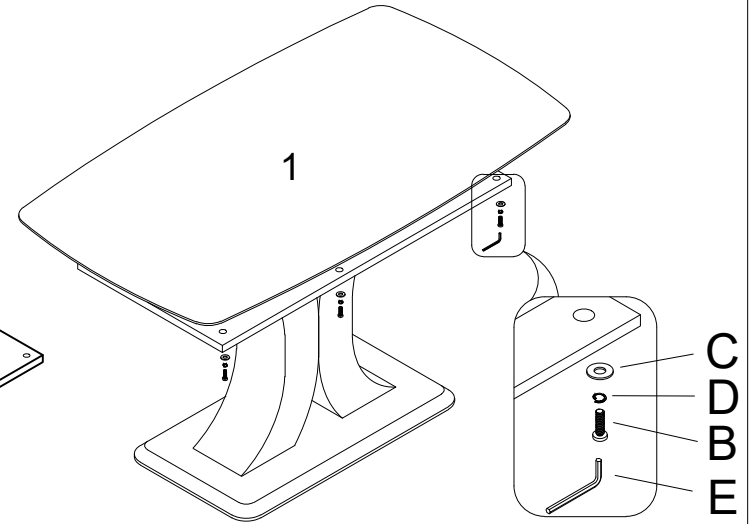


STEP 3

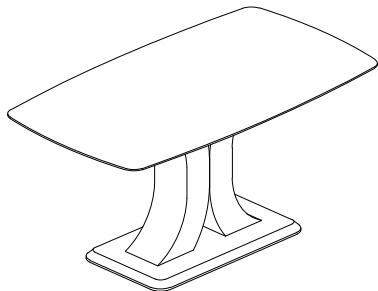
Lock all screws

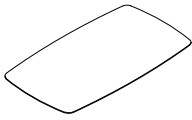
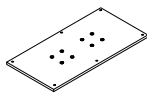



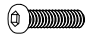





STEP 4



At least 2 people are required for product assembly



1 top 	2 connect panel 	3 legs 	4 base 
x1	x1	x2	x1
A  M8*45	B  M8*30	C 	D 
x8	x14	ø22 x22	ø13 x6
E 			
x1			