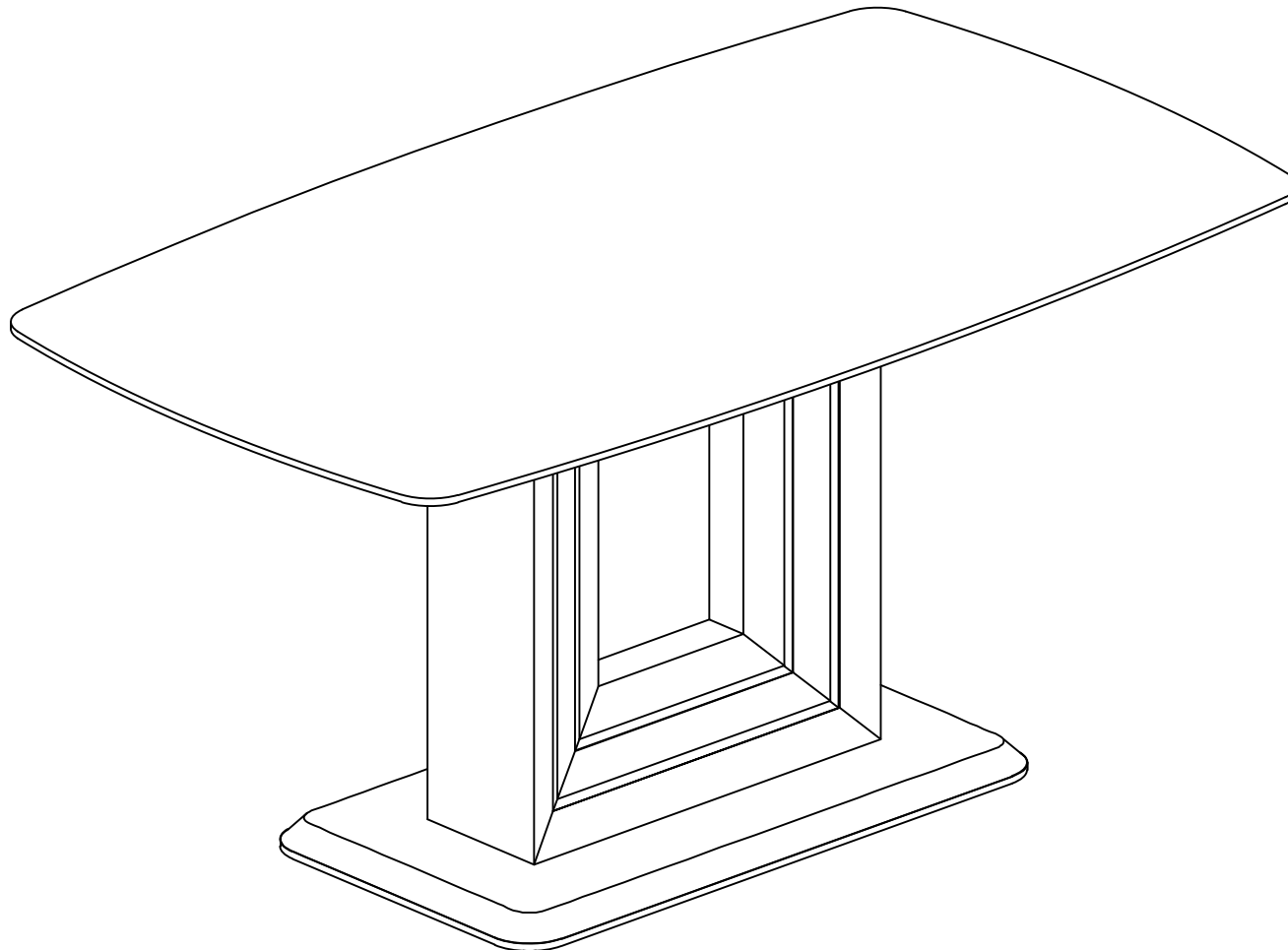


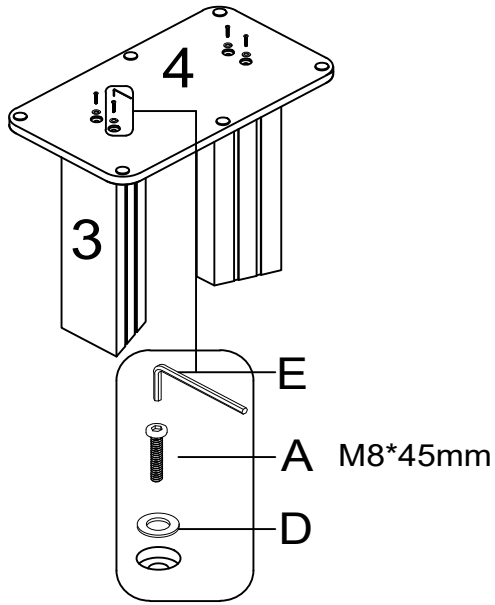
ASSEMBLY INSTRUCTION

WF312260
WF312261
WF312262

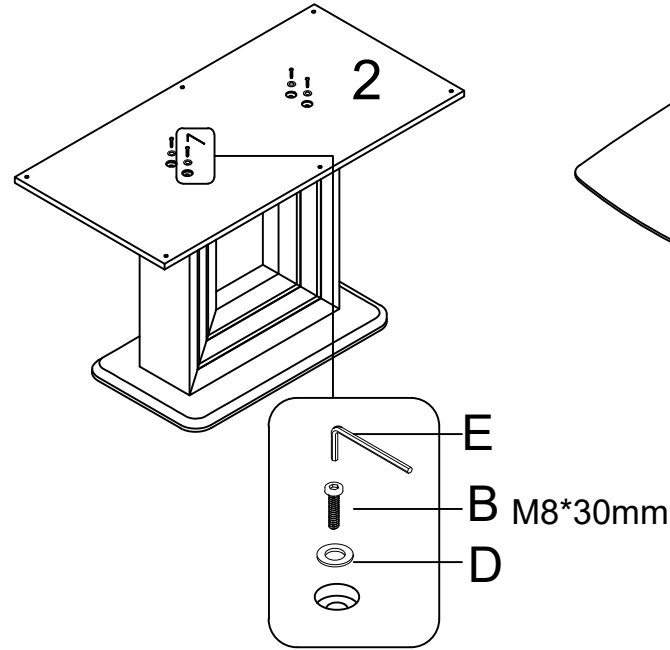


ASSEMBLY INSTRUCTION

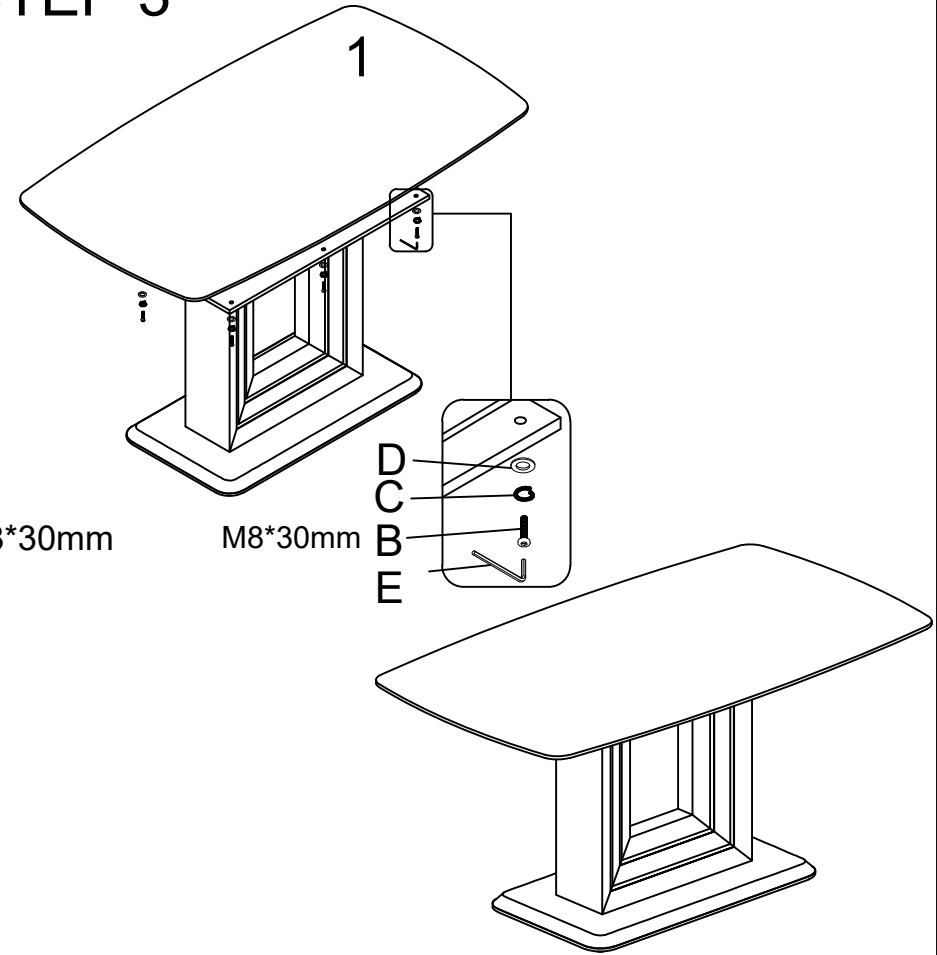
STEP 1



STEP 2

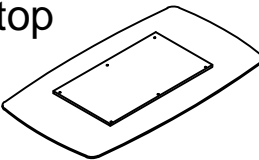
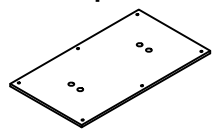
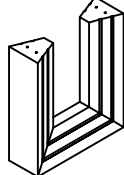
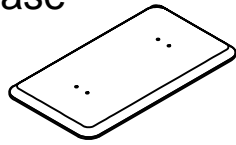
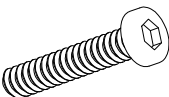
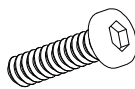

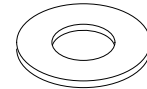
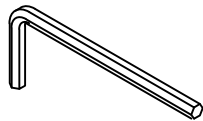


STEP 3



Please strictly follow the instructions manual for assembly. Using the wrong screws may result in damage to the product.

At least 2 people are required for product assembly

<p>1 top</p>  <p>x1</p>	<p>2 connect panel</p>  <p>x1</p>	<p>3 leg</p>  <p>x1</p>	<p>4 base</p>  <p>x1</p>	
<p>A</p>  <p>M8*45mm 4pcs</p>	<p>B</p>  <p>M8*30mm 10pcs</p>	<p>C</p>  <p>6pcs</p>	<p>D</p>  <p>14pcs</p>	<p>E</p>  <p>1pc</p>