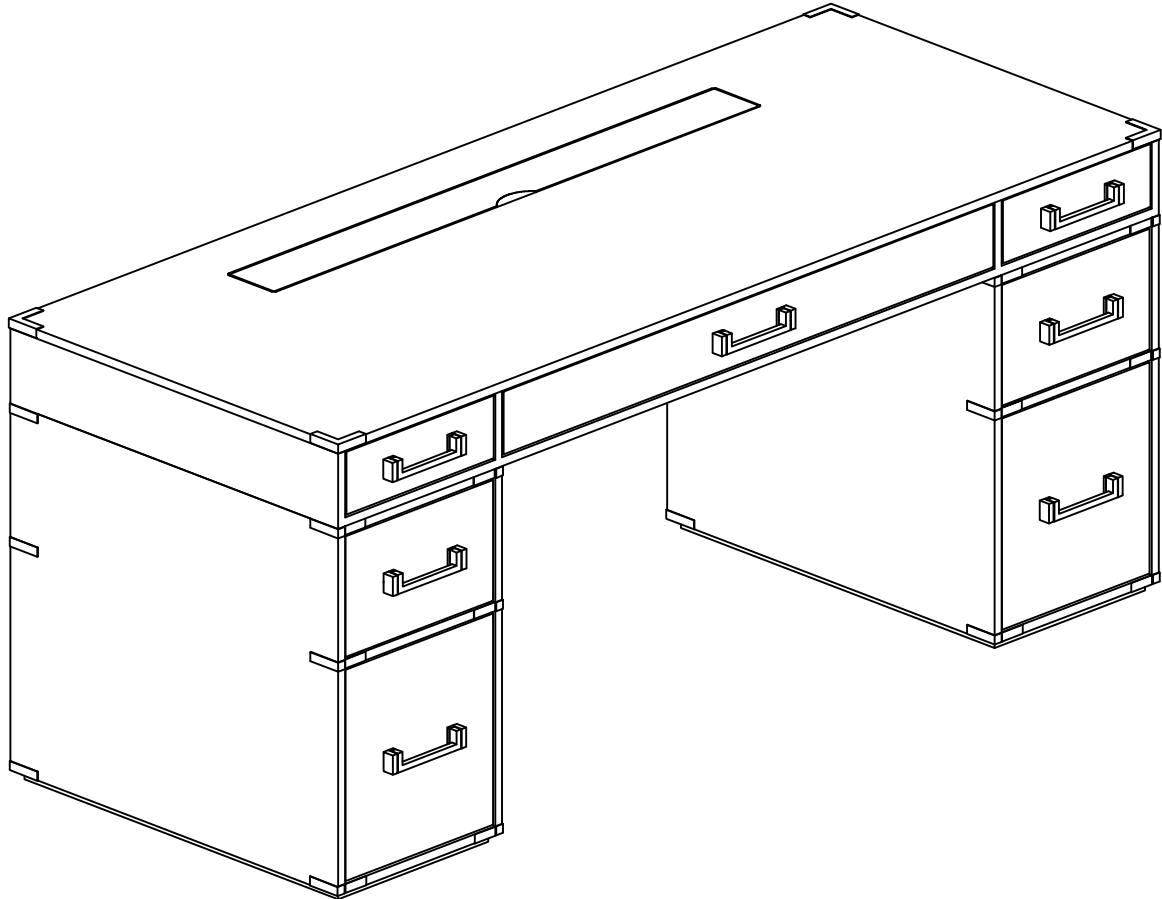


# Desk

SKU:N751P178493  
N751P178494

Assembly Instruction-Please keep for future reference



## Dimensions

Width-70inch  
Depth-28inch  
Height-30inch

Important-Please read these instructions fully before starting assembly



# Safety and Care Advice

**Important – Please read these instructions fully before starting assembly**

- Check you have all the components and tools listed on the following pages.
- Remove all fittings from the plastic bags and separate them into their groups.
- Keep children and animals away from the work area, small parts could choke if swallowed.
- Make sure you have enough space to layout the parts before starting.

- During assembly do not stand or put weight on the product, this could cause damage.
- Assemble the item as close to its final position (in the same room) as possible.
- Assemble on a soft level surface to avoid damaging the unit or your floor.
- Parts of the assembly will be easier with 2 people.



power drill is set on a low torque setting.

- To reduce the likelihood of damaging your product please ensure that your

## Care and maintenance

- Only clean using a damp cloth and mild detergent, do not use bleach or abrasive cleaners.
- From time to time check that there are no loose screws on this unit.
- This product should not be discarded with household waste. Take to your local authority waste disposal centre.

## Handy Hints

- Assemble all parts and bolts loosely during assembly, only once the product is complete should you fully tighten the bolts
- Regularly check and ensure that all bolts and fittings are tightened properly.

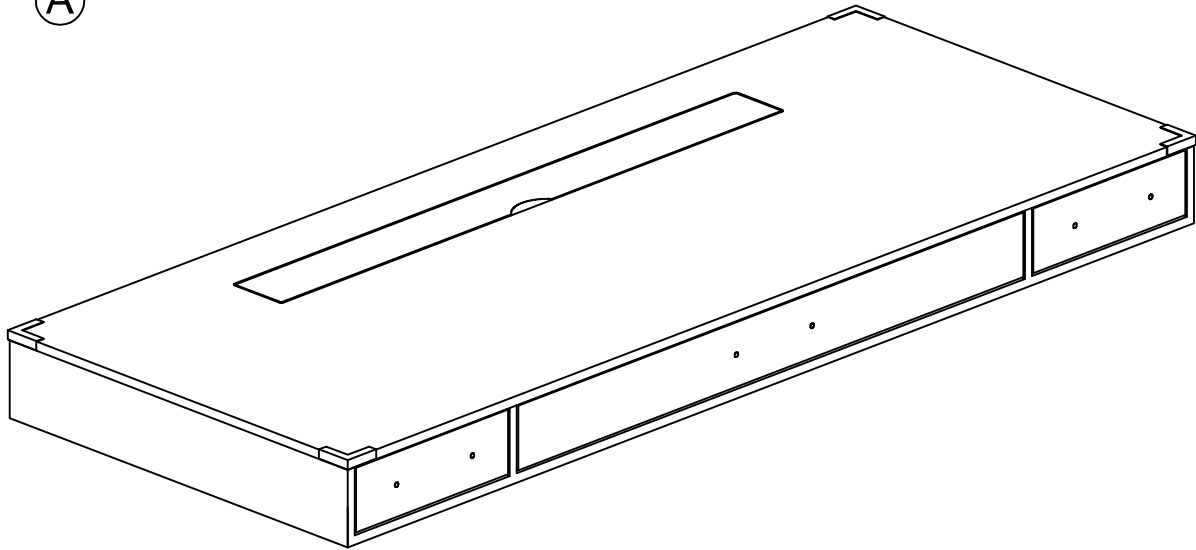
## **WARNING** In order to help prevent overturning – please follow these instructions

To help prevent product toppling over please follow the below steps:-

- Use the anti tip stap or wall fixing method provided (if applicable)
- Do not allow children to climb or hang on the furniture
- Do not open more than one drawer at a time
- Do not place heavy items in the top drawers
- Do not place heavy items on top of the furniture, unless the furniture has been designed for this purpose

# PARTS LIST-N751P178493

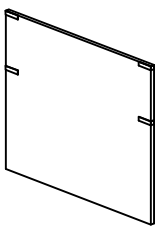
(A)



1 PC

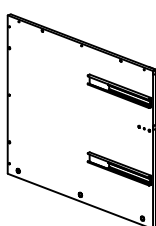
# PARTS LIST-N751P178494

(BL)



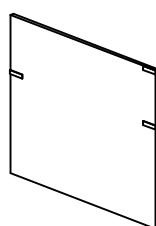
1 PC

(BR)



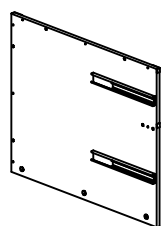
1 PC

(CL)



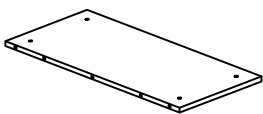
1 PC

(CR)



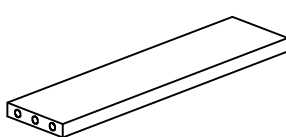
1 PC

(D)



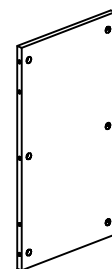
2 PCS

(E)



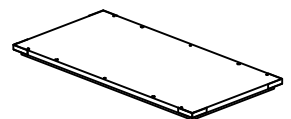
2 PCS

(F)



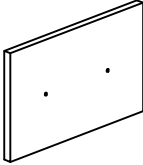
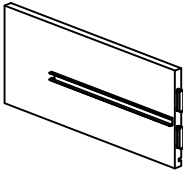
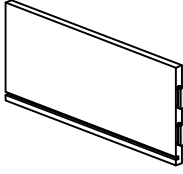
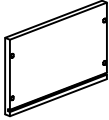
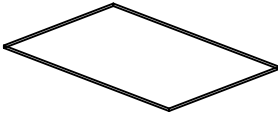
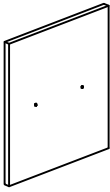
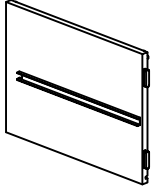
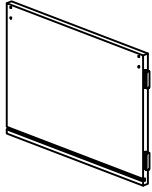
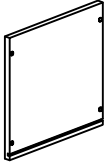
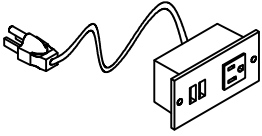
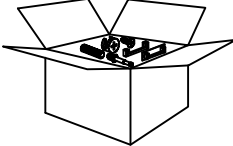
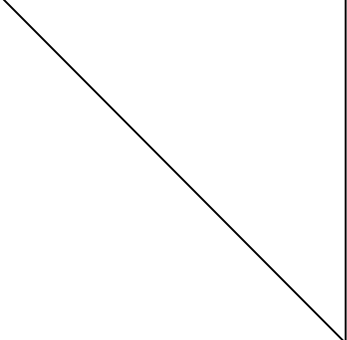
2 PCS

(G)



2 PCS

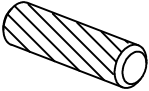
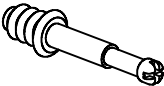
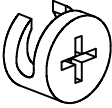
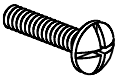
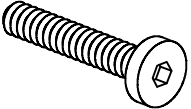

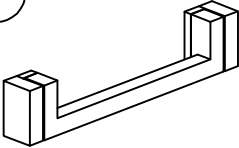

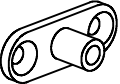


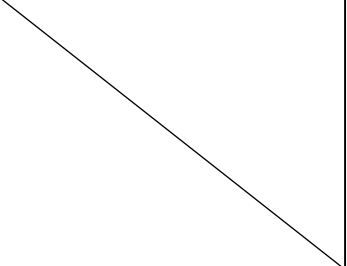
# PARTS LIST-N751P178494

|   |  |   |  |
|---|--|---|--|
| <p>(H)</p>  <p>2 PCS</p>   | <p>(IL)</p>  <p>2 PCS</p> | <p>(IR)</p>  <p>2 PCS</p> | <p>(J)</p>  <p>2 PCS</p>  |
| <p>(K)</p>  <p>4 PCS</p>   | <p>(L)</p>  <p>2 PCS</p>  | <p>(ML)</p>  <p>2 PCS</p> | <p>(MR)</p>  <p>2 PCS</p> |
| <p>(N)</p>  <p>2 PCS</p> | <p>(O)</p>  <p>1 PC</p> |  <p>HARDWARE</p>        |                          |

# HARDWARE LIST

Please check you have all the panels listed below

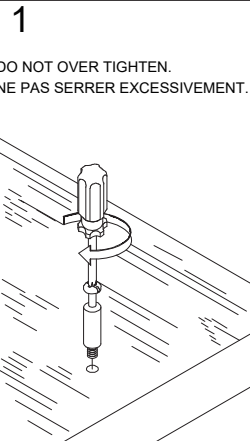
Note: the quantities below are the correct amount to complete the assembly. In some cases, more fittings may be supplied than required.

|   |  |  |  |
|---|--|--|--|
| <p>①</p>  <p>Ø8x30mm Dowel 32 PCS</p>  | <p>②</p>  <p>Cam Bolt 40 PCS</p>                | <p>③</p>  <p>Cam Lock 40 PCS</p> | <p>④</p>  <p>Ø5/32"x22mm Screw<br/>30 PCS</p> |
| <p>⑤</p>  <p>Ø1/4"x30mm Bolt 8 PCS</p> | <p>⑥</p>  <p>4mm Allen Key 1 PC</p>             | <p>⑦</p>  <p>Handle 7 PCS</p>    | <p>⑧</p>  <p>#3.5x12mm Screw 18 PCS</p>       |
| <p>⑨</p>  <p>8 PCS</p>               | <p>⑩</p>  <p>Ø5x262mm Round Bar<br/>4 PCS</p> |  <p>Tools Not Supplied</p>     |   |

# Using Camlocks

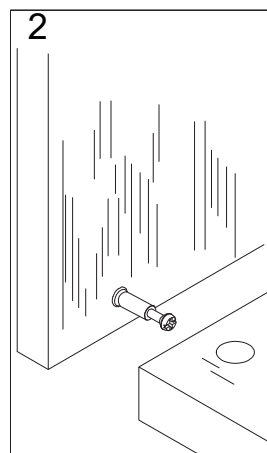
## Step 1

Connect the male camlock as directed in the assembly instructions using a screwdriver.



## Step 2

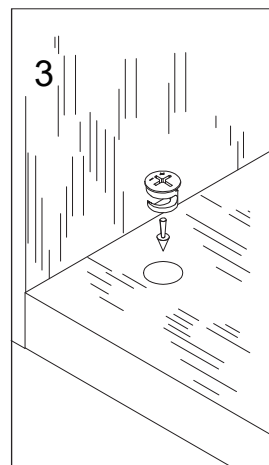
Push the male camlock into the entry hole.



## Step 3

Insert the female camlock as shown in the instruction.

Note: ensure that the arrow on the top of the camlock points towards the entry hole for the male camlock.

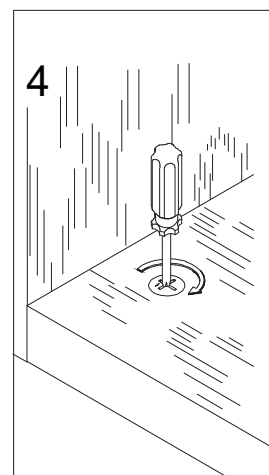


## Step 4

Turn the female camlock clockwise with a screwdriver.

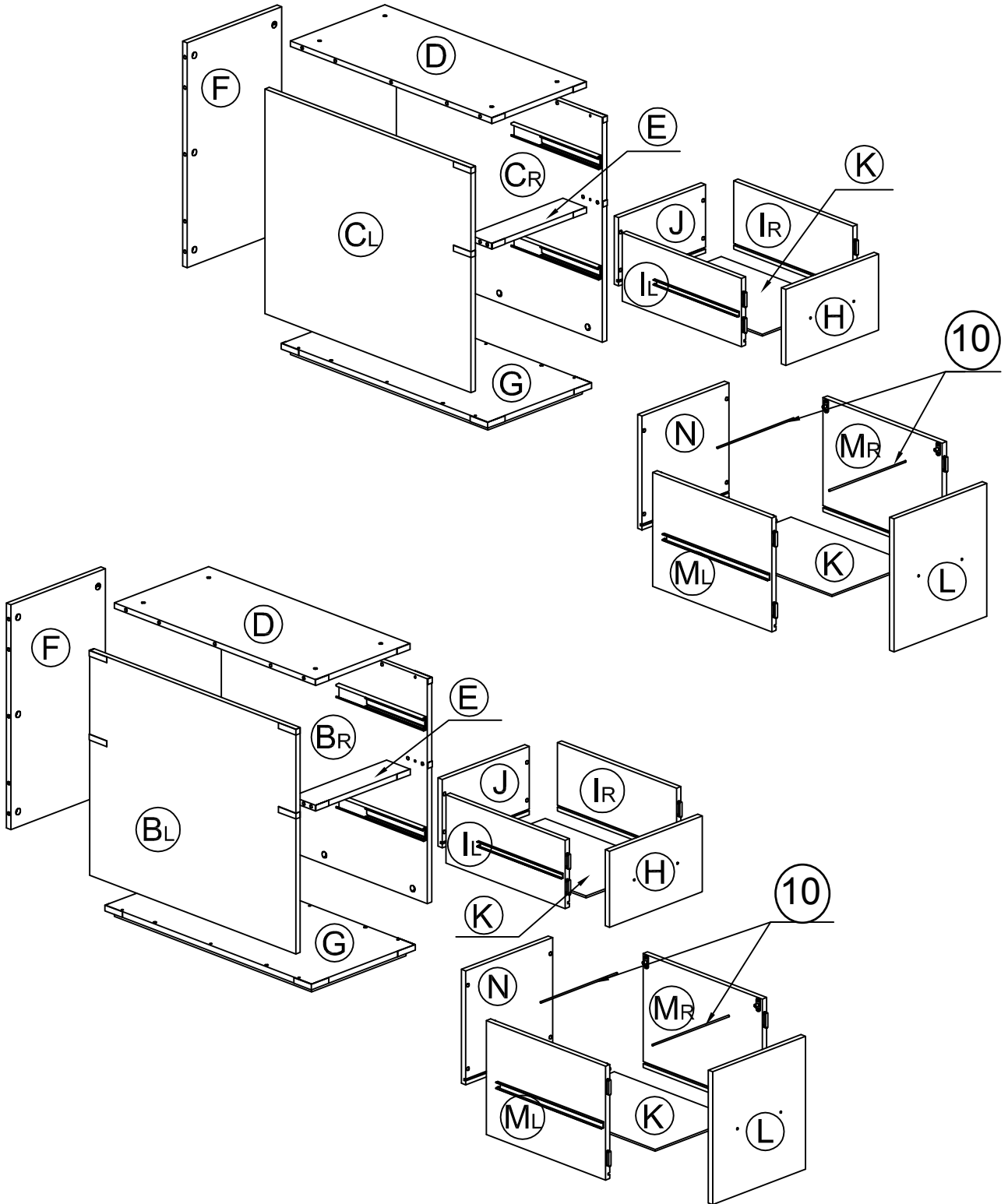
You should feel a click when the camlock is locked in place.

The joint is now secure.



# COMPONENTS - KEY DIAGRAM

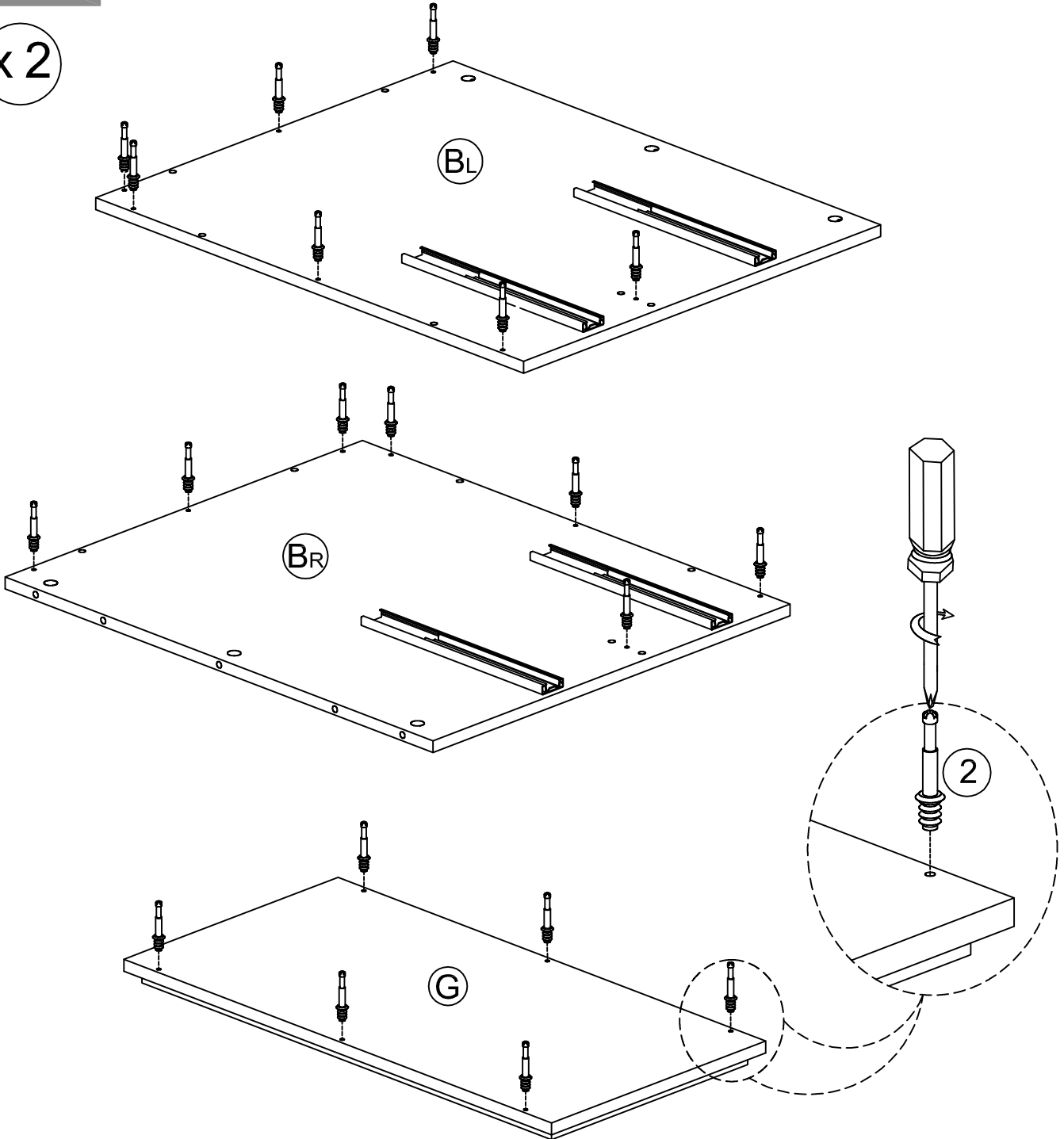
## N751P178494



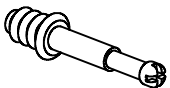
# N751P178494 Assembly Instructions

## STEP 1

x 2



2



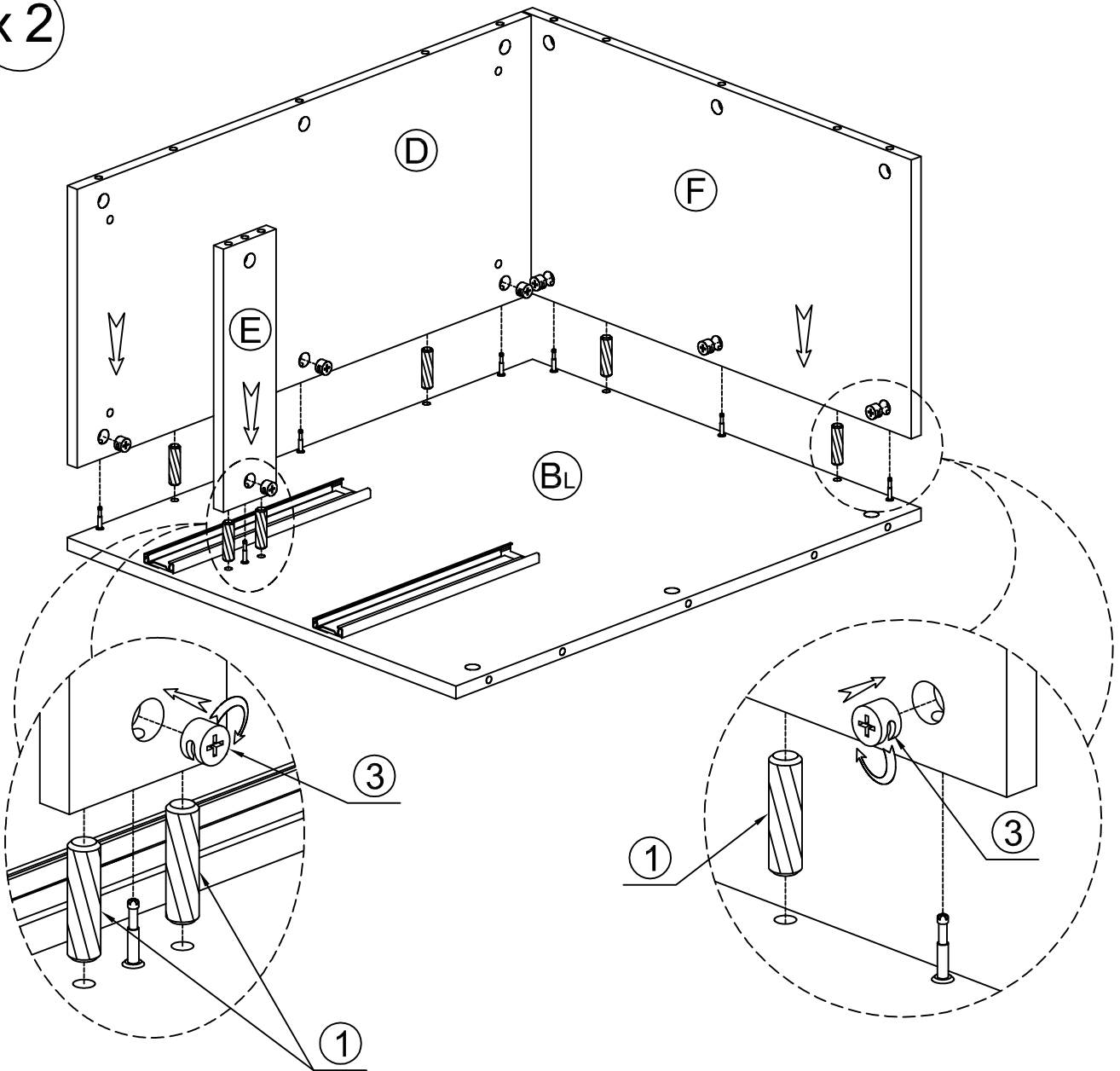
Cam Bolt 40 PCS



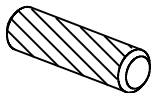
# N751P178494 Assembly Instructions

## STEP 2

x 2



1



Ø8x30mm Dowel 12 PCS

3

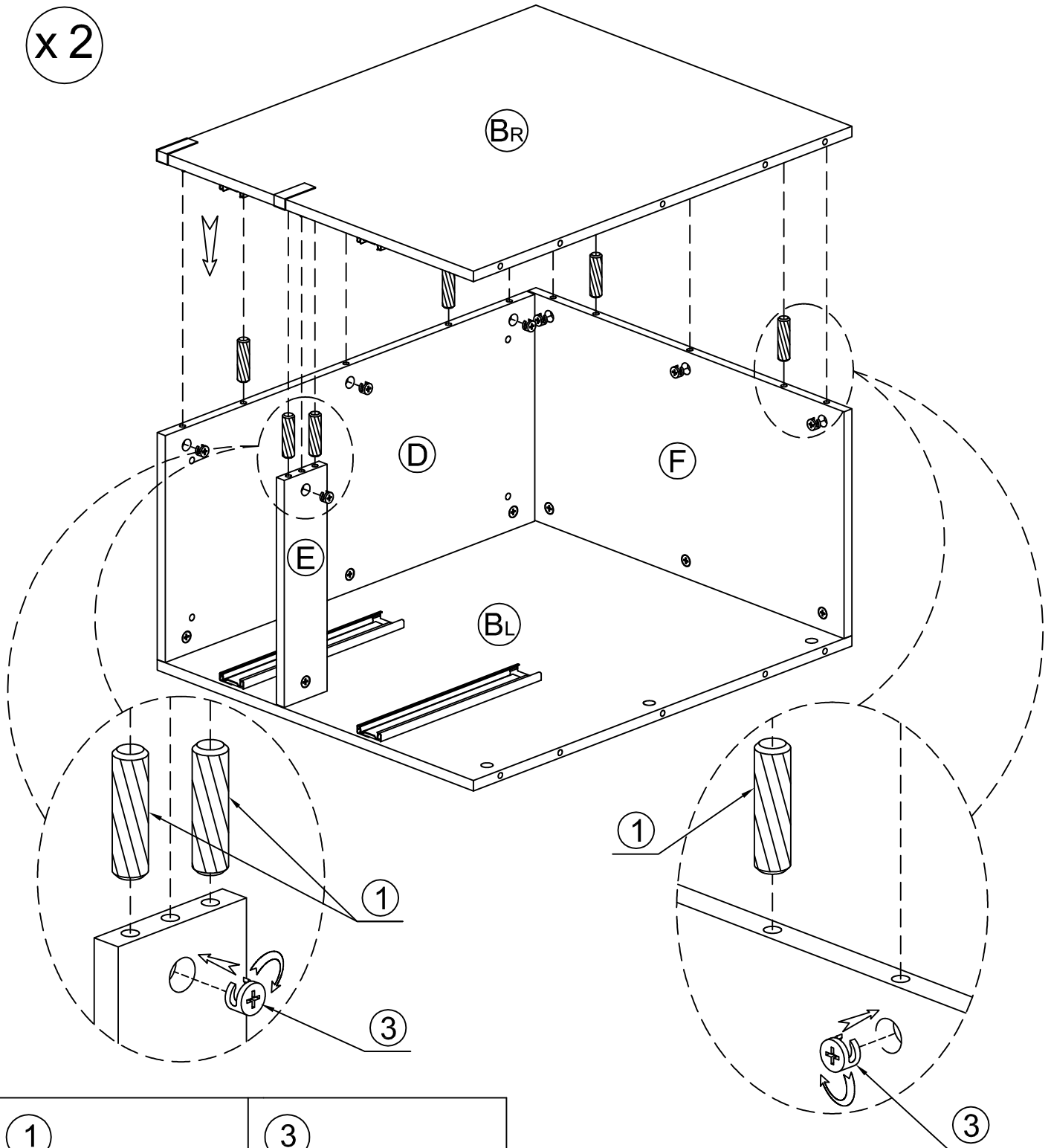


Cam Lock 14 PCS

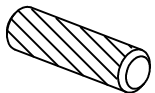
# N751P178494 Assembly Instructions

## STEP 3

x2

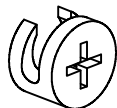


1



Ø8x30mm Dowel 12 PCS

3

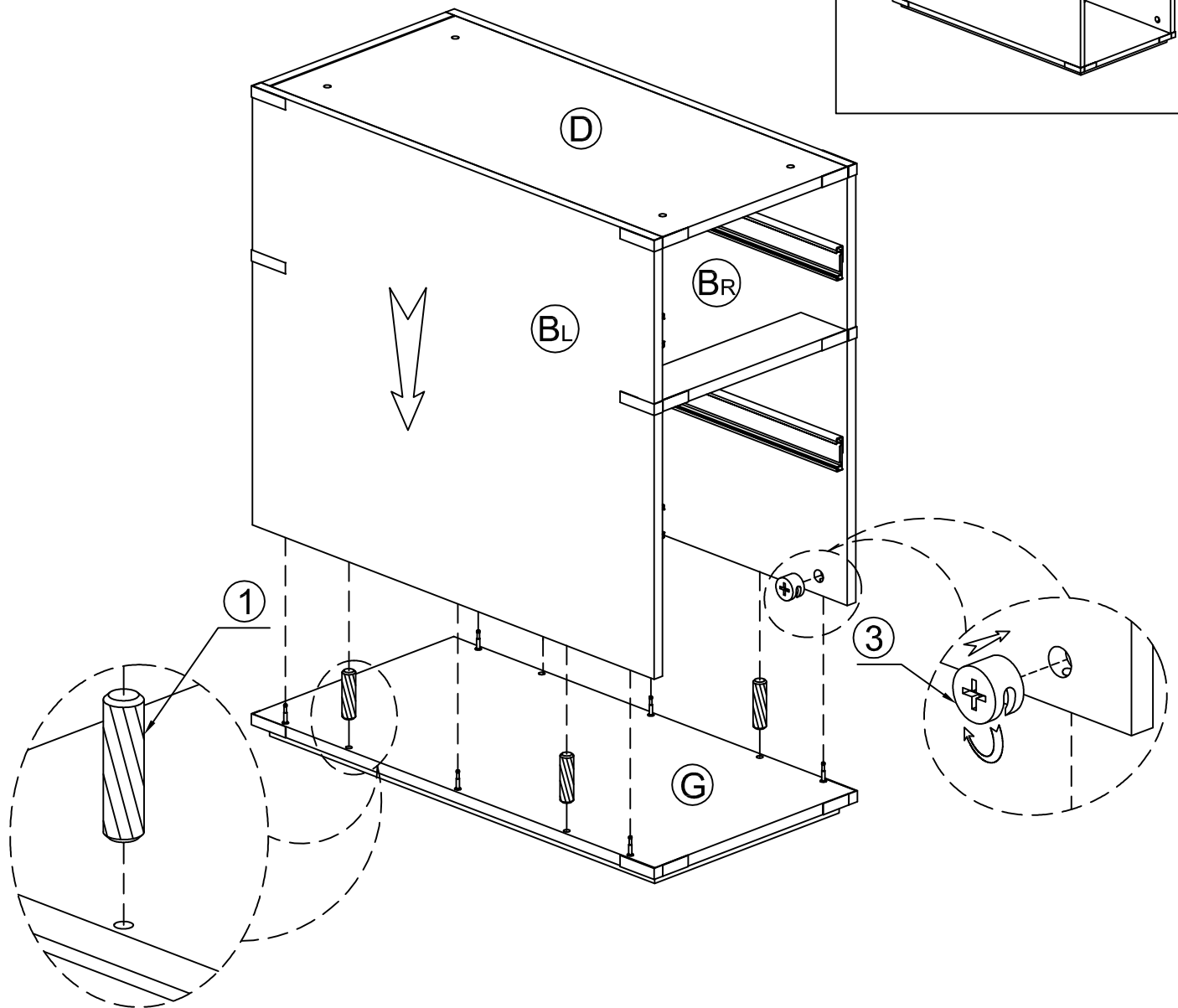
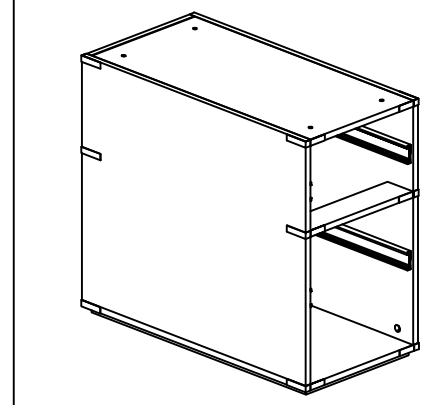


Cam Lock 14 PCS

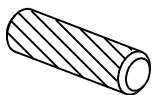
# N751P178494 Assembly Instructions

## STEP 4

x 2



1



Ø8x30mm Dowel 8 PCS

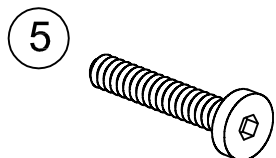
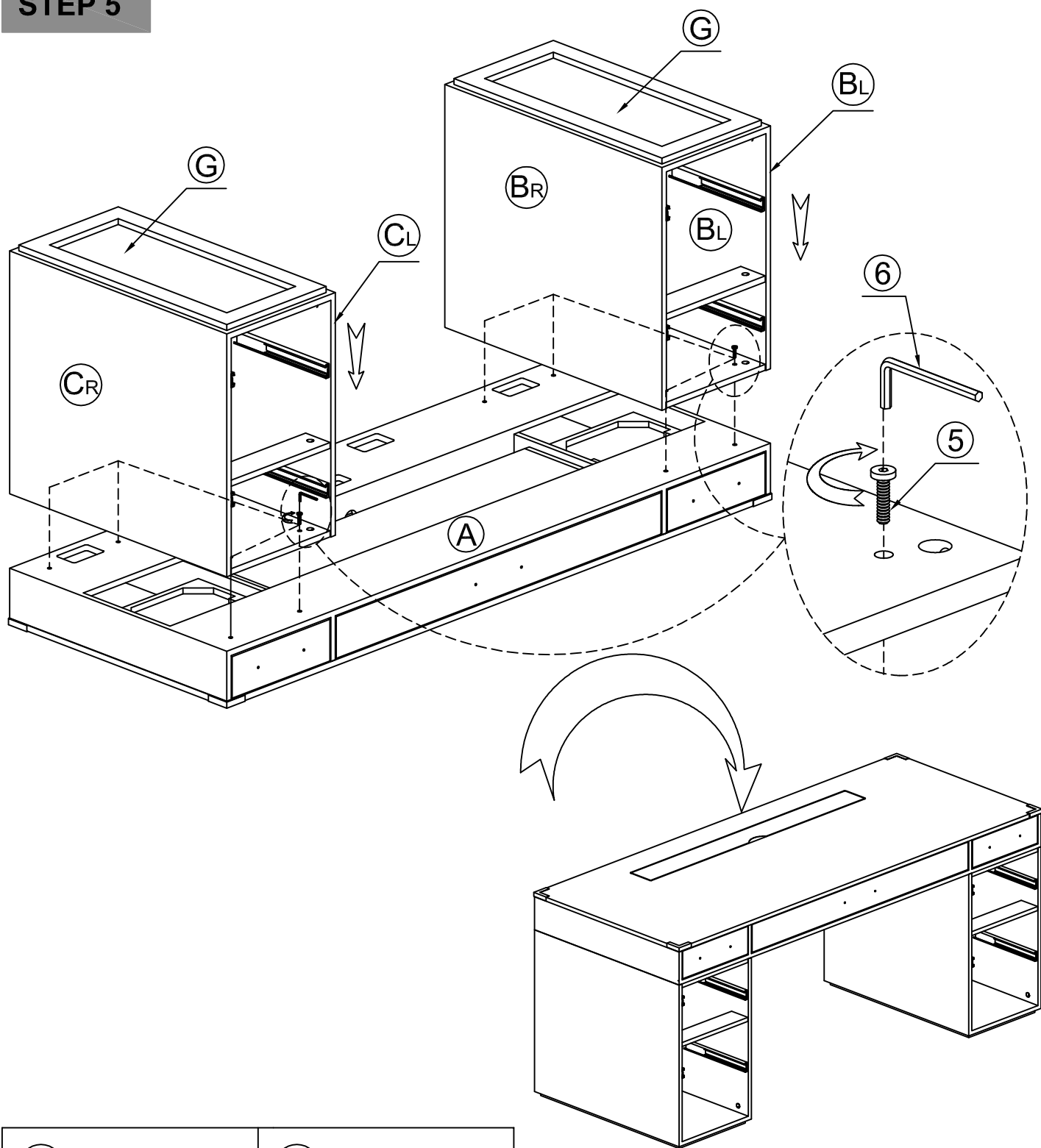
3



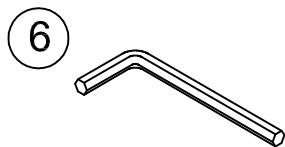
Cam Lock 12 PCS

# N751P178494 Assembly Instructions

## STEP 5



Ø1/4"x30mm Bolt 8 PCS

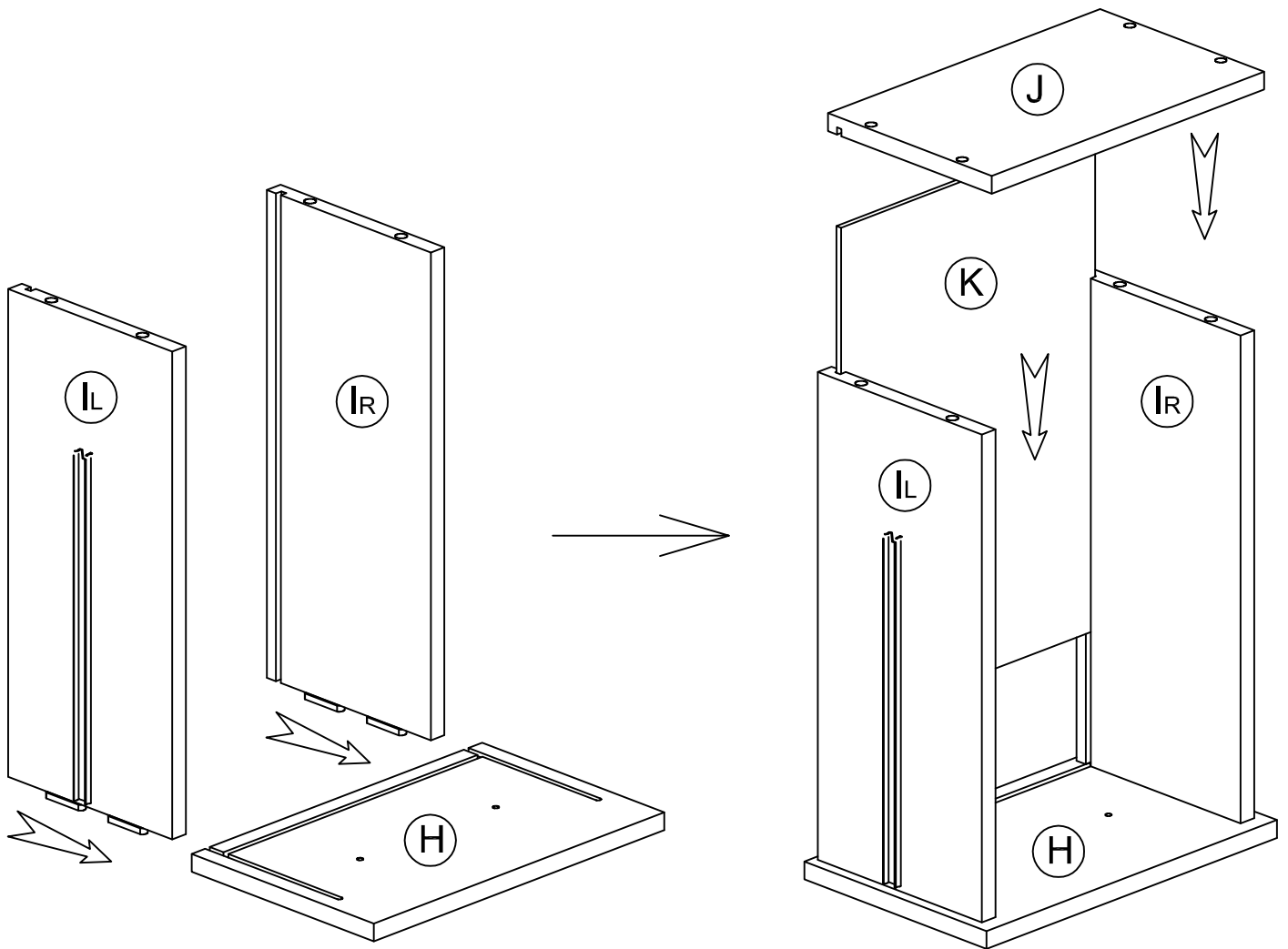


4mm Allen Key 1PC

# N751P178494 Assembly Instructions

STEP 6

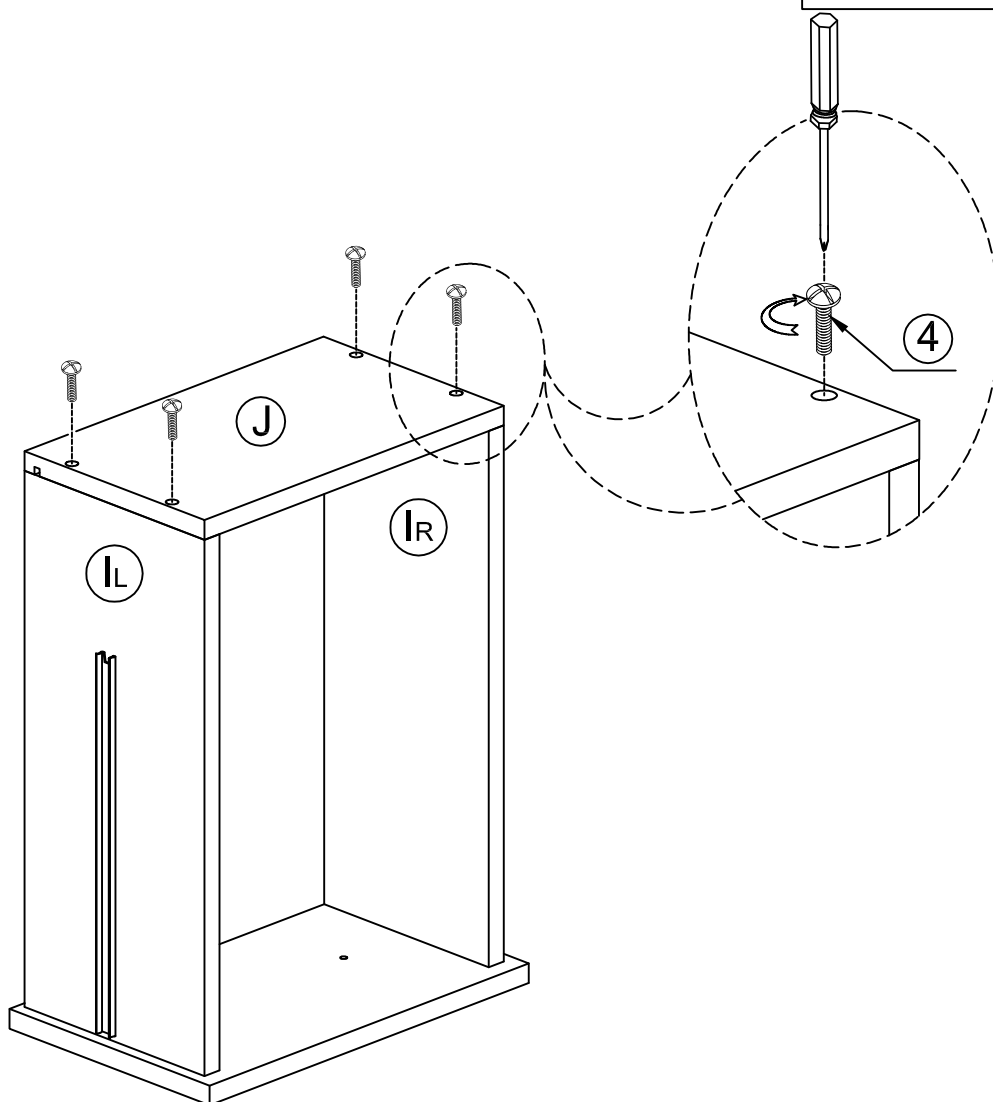
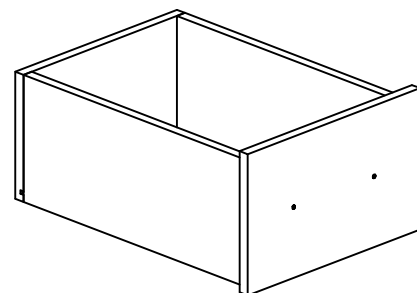
x 2



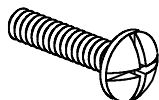
# N751P178494 Assembly Instructions

## STEP 7

x 2



4

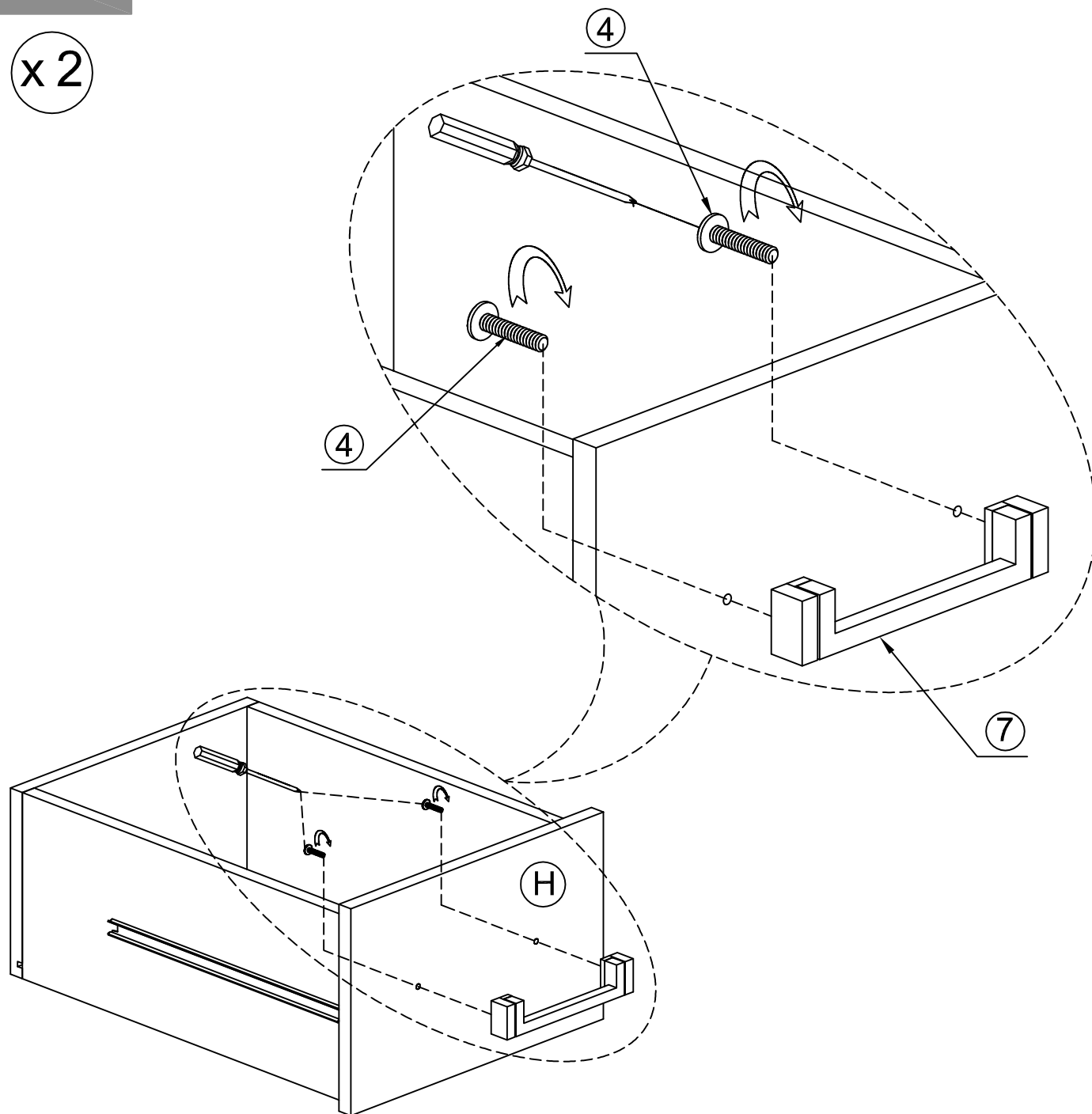


Ø5/32"x22mm Screw  
8PCS

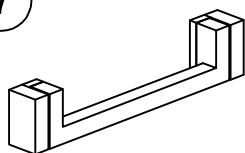
# N751P178494 Assembly Instructions

## STEP 8

x 2



7



Handle 2 PCS

4

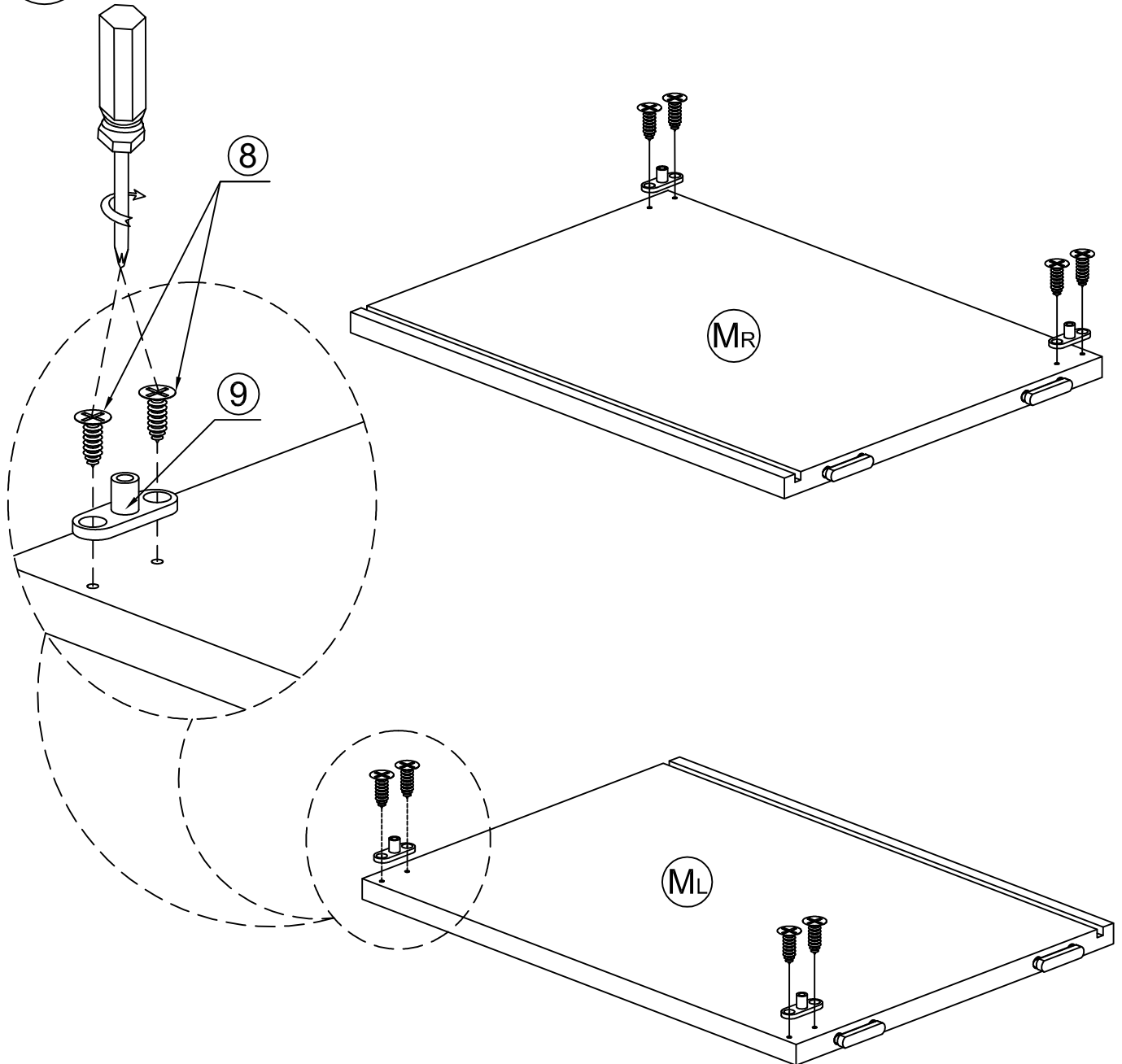


Ø5/32"x22mm Screw  
4 PCS

# N751P178494 Assembly Instructions

## STEP 9

x 2

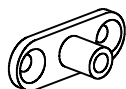


8



#3.5x12mm Screw 16 PCS

9



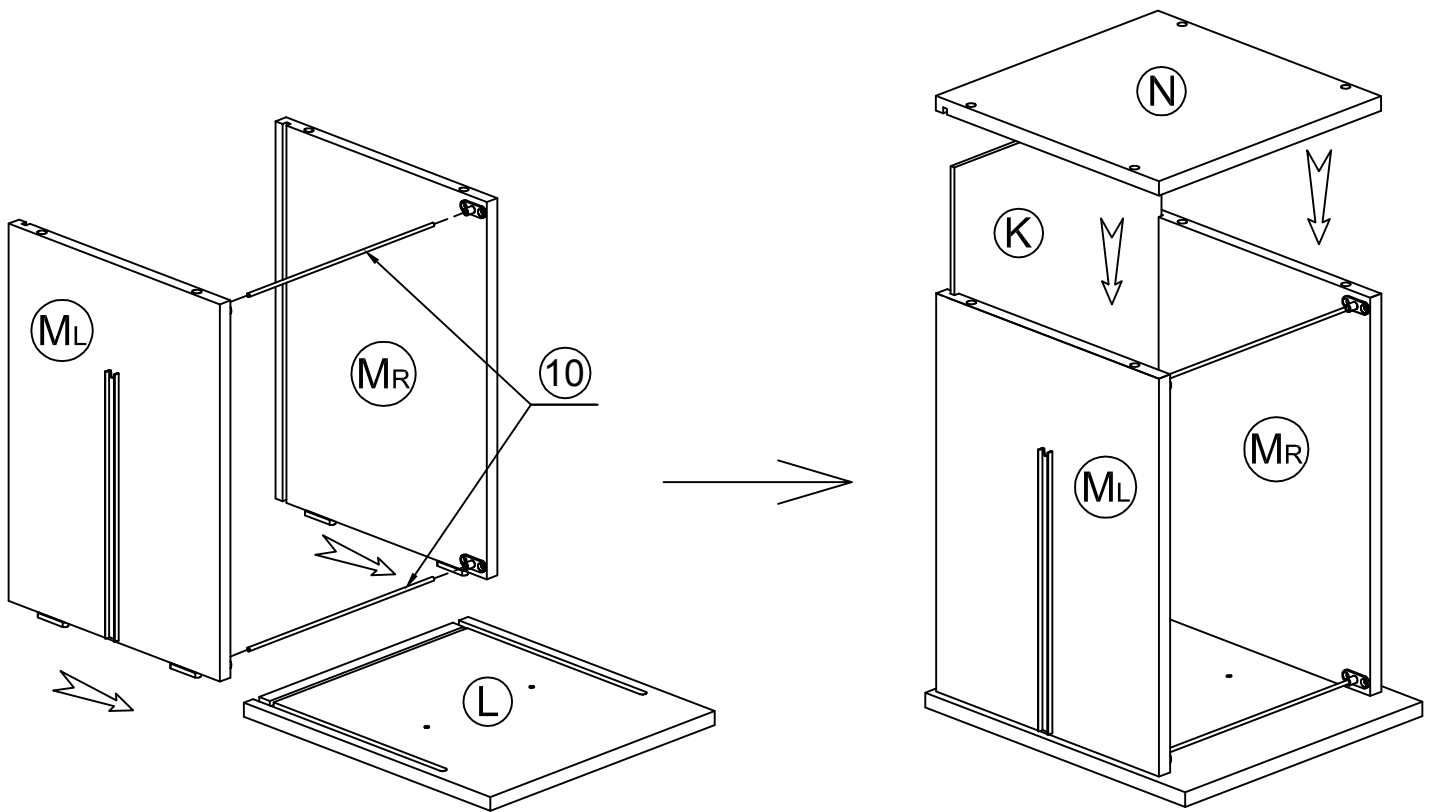
8 PCS



# N751P178494 Assembly Instructions

## STEP 10

x 2



10

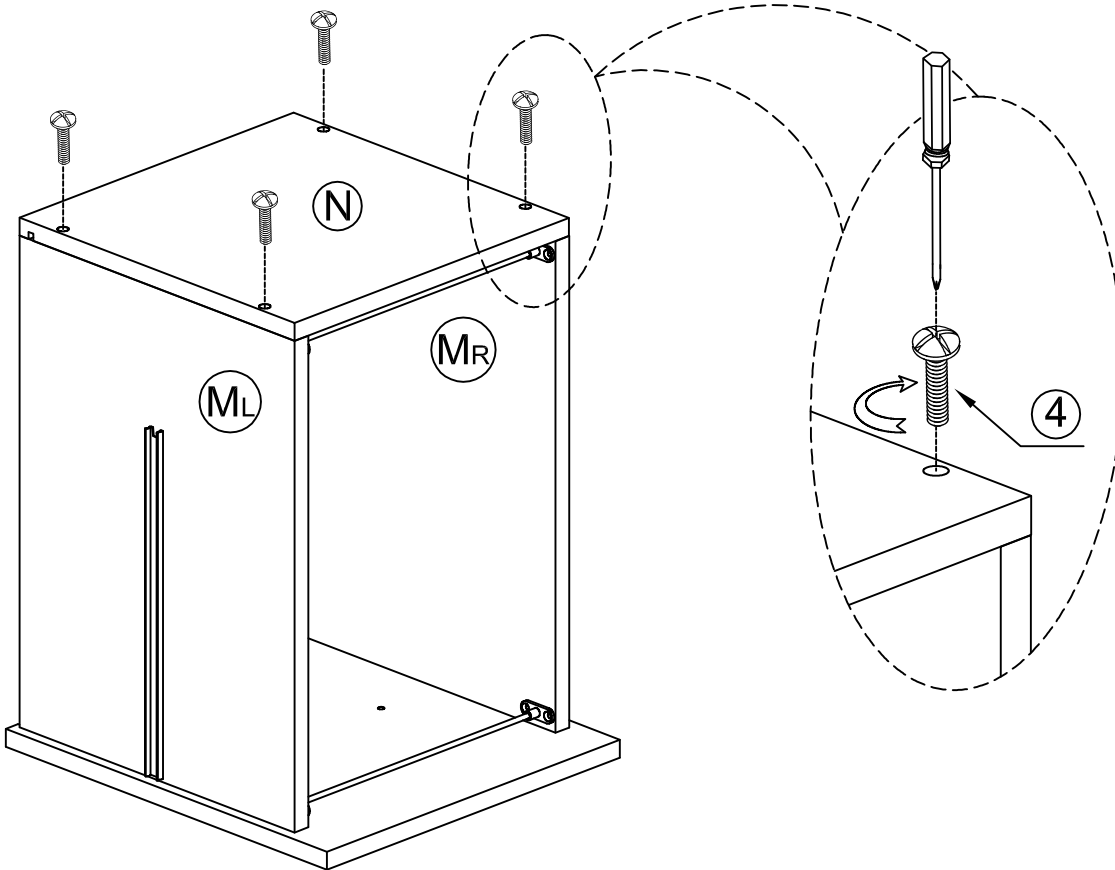
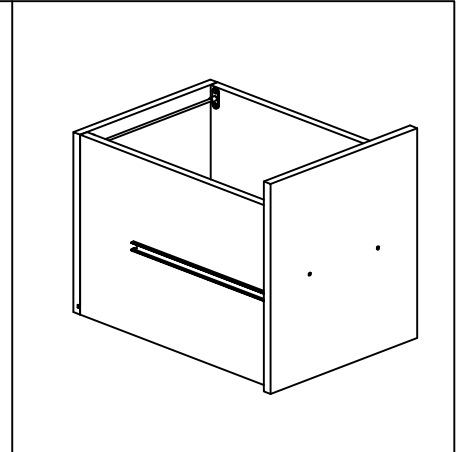


Ø5x262mm Round Bar  
4 PCS

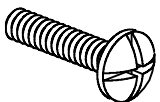
# N751P178494 Assembly Instructions

## STEP 11

x 2



4

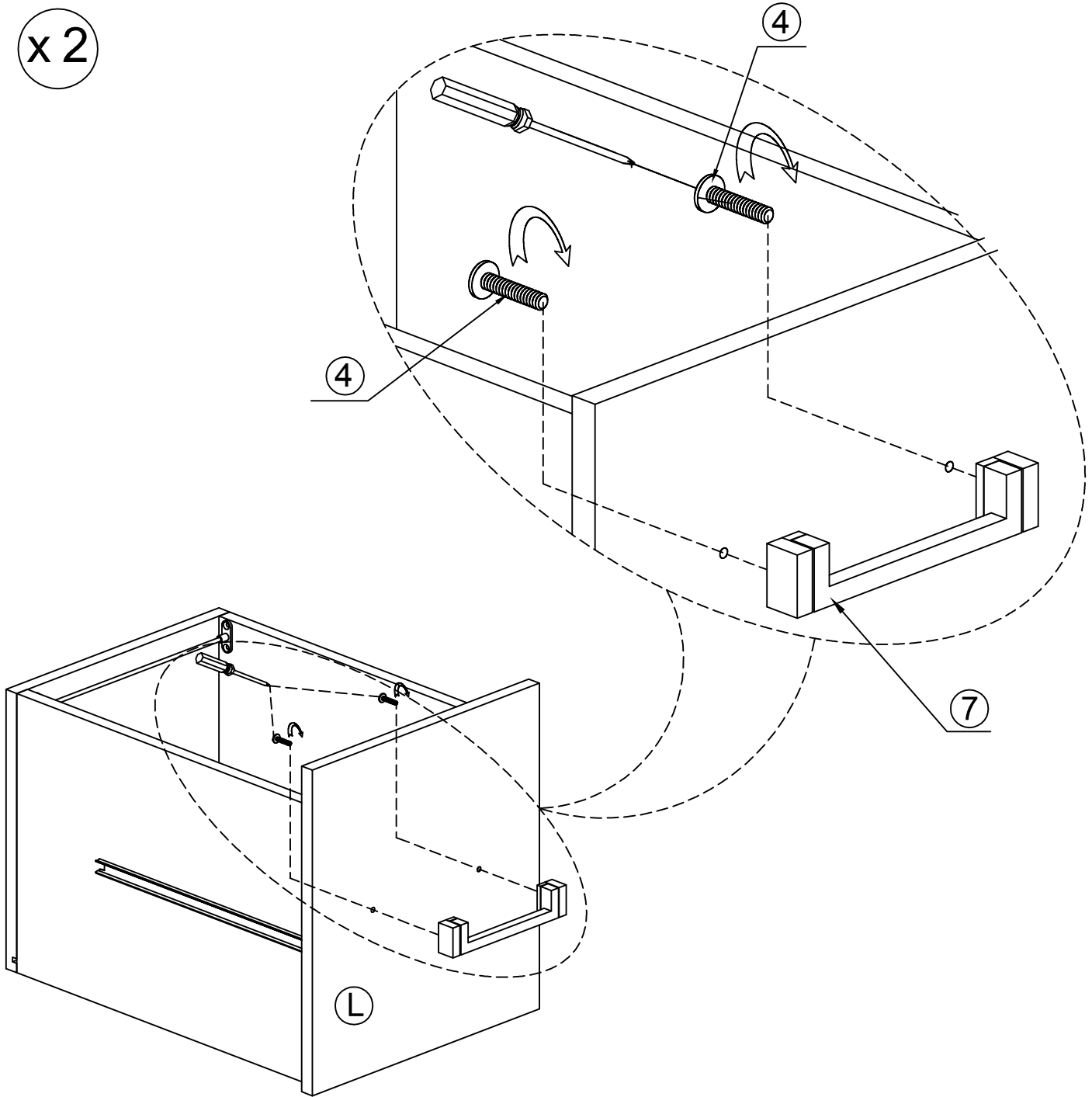


Ø5/32"x22mm Screw  
8PCS

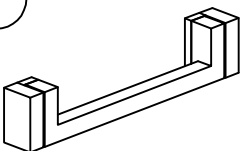
# N751P178494 Assembly Instructions

## STEP 12

x 2



7



Handle 2 PCS

4

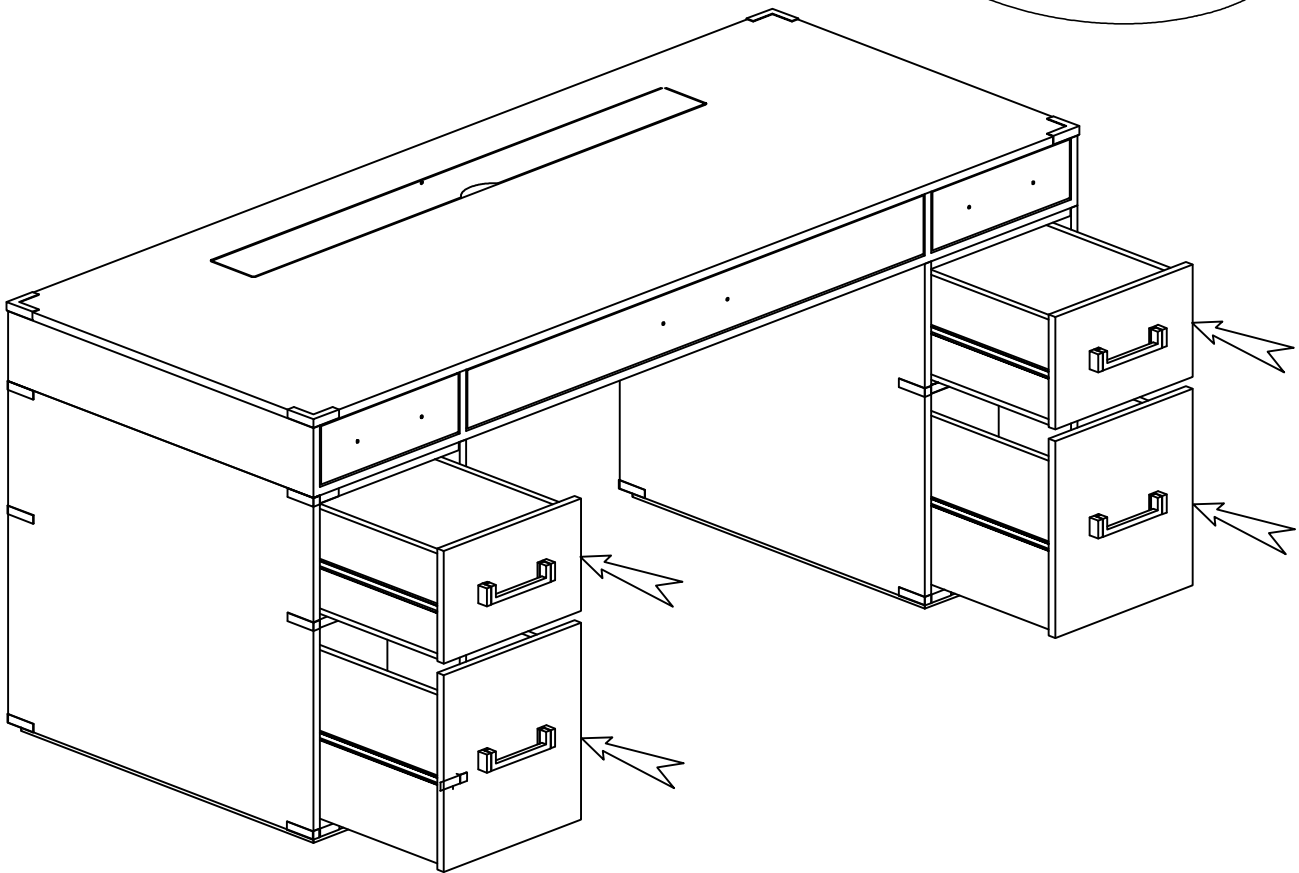
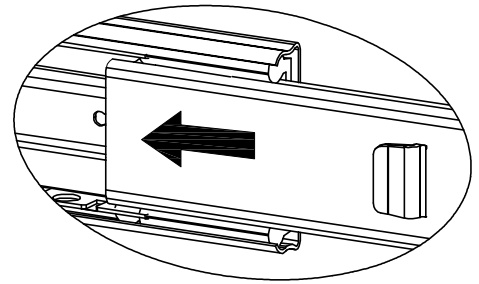


Ø5/32"x22mm Screw  
4 PCS

# N751P178494 Assembly Instructions

## STEP 13

Pull slides and slide carrier out to fully extended position.

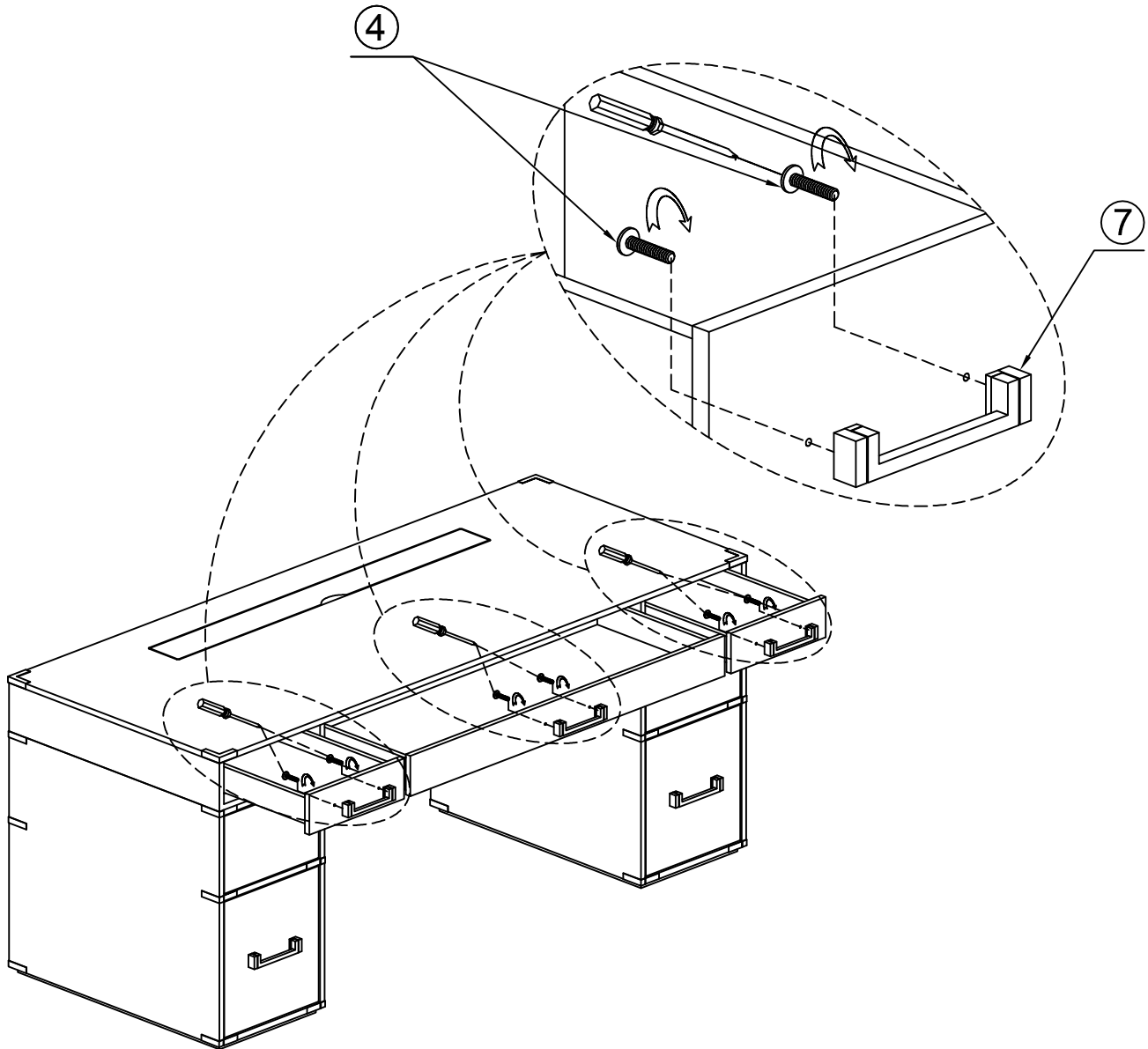


### INSTALLING DRAWERS

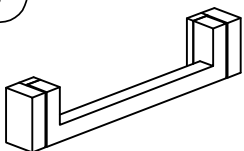
Pull slides and slide carrier out to fully extended position (see illustration). Hold the slide on the cabinet while aligning it with the slide on the drawer. Slightly insert one side and repeat for the other side. Slowly push the drawer to its fully closed position to engage the slide. Open the drawer and reclose to ensure proper operation.

# N751P178494 Assembly Instructions

## STEP 14

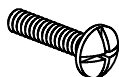


7



Handle 3 PCS

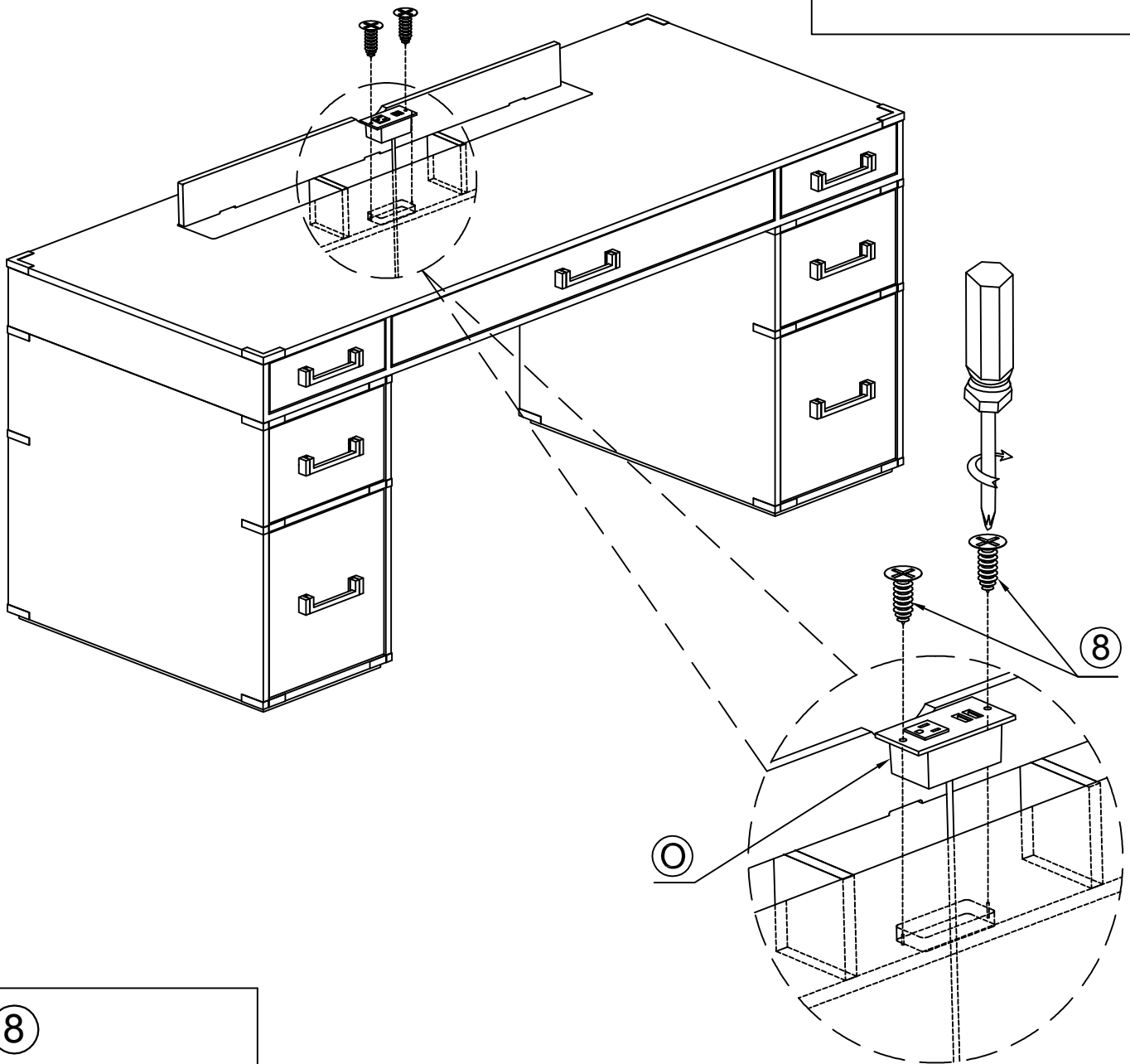
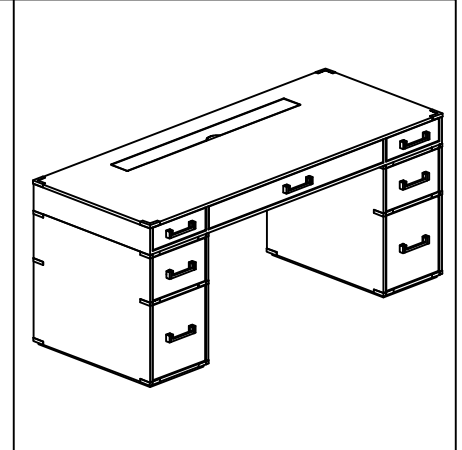
4



Ø5/32"x22mm Screw  
6 PCS

# N751P178494 Assembly Instructions

## STEP 15



8



#3.5x12mm Screw 2 PCS