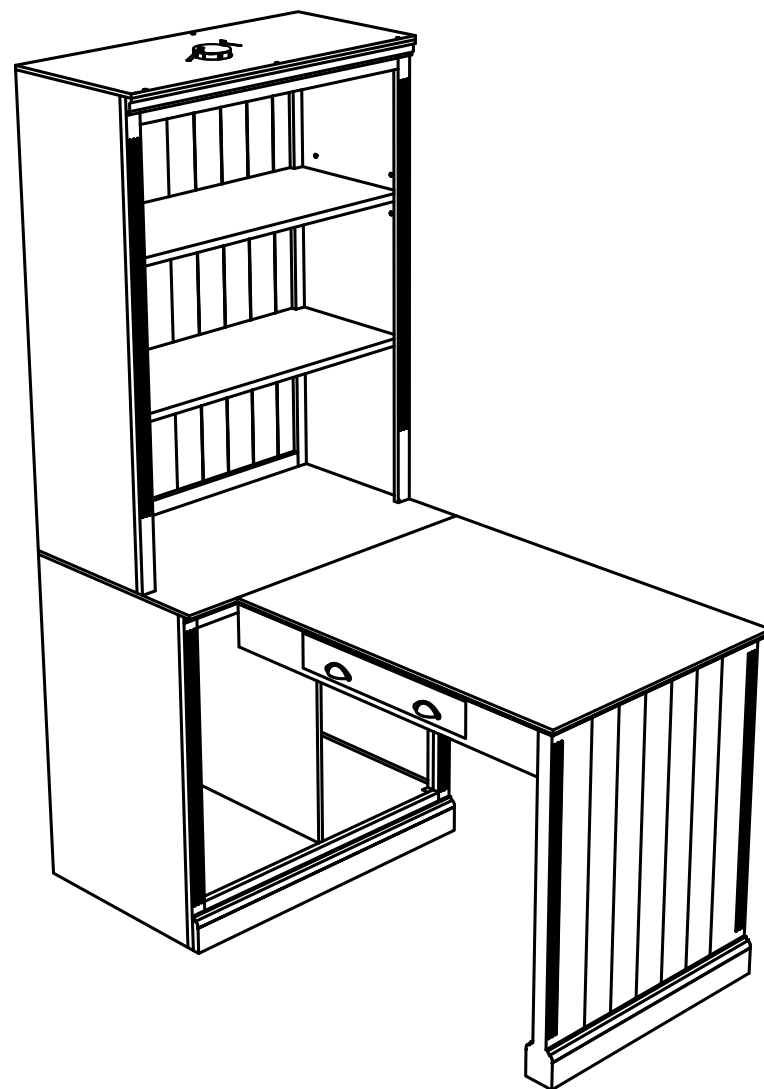


ASSEMBLY INSTRUCTION

WF313025

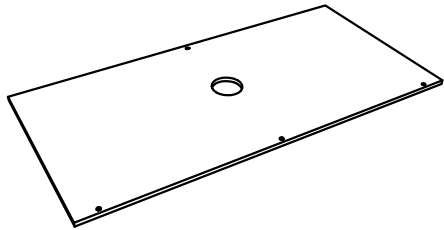
WF313030

WF313031



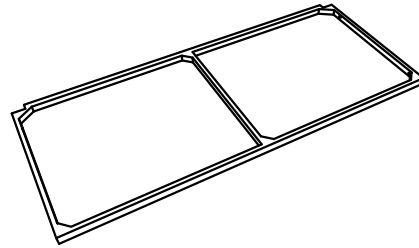
PARTS LIST - WF313025

A



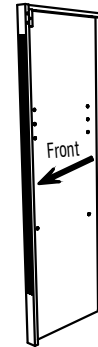
Quantity:
1 pc

B



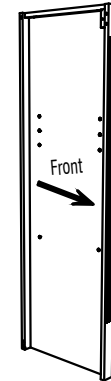
Quantity:
2 pcs

CL



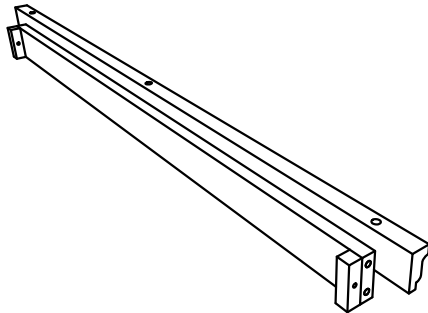
Quantity:
1 pc

CR



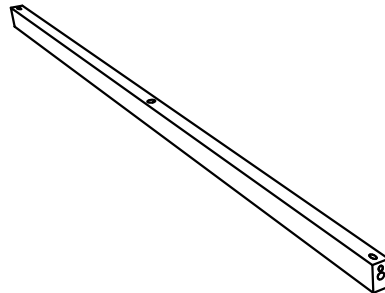
Quantity:
1 pc

D



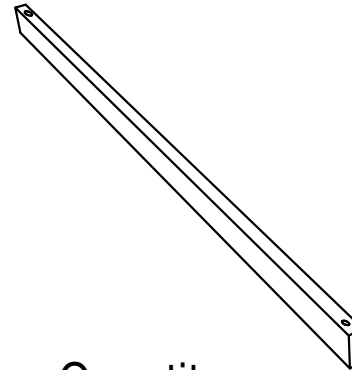
Quantity:
1 pc

E



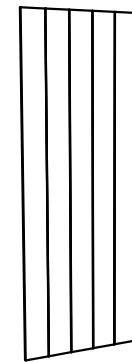
Quantity:
1 pc

F



Quantity:
1 pc

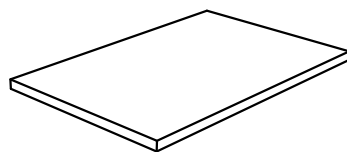
G



Quantity:
2 pcs

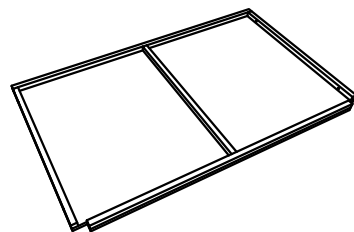
PARTS LIST - WF313030

H



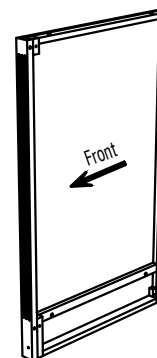
Quantity:
1 pc

I



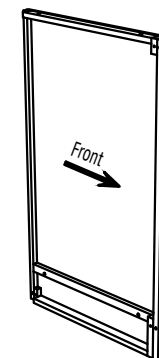
Quantity:
1 pc

JL



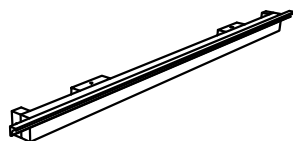
Quantity:
1 pc

JR



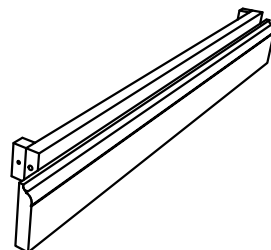
Quantity:
1 pc

K



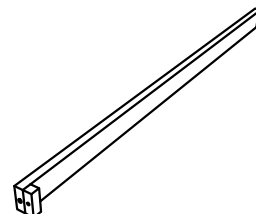
Quantity:
1 pc

L



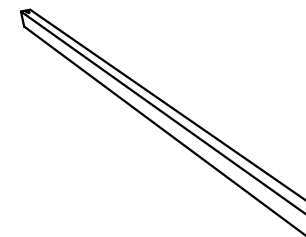
Quantity:
1 pc

M



Quantity:
1 pc

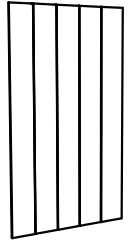
N



Quantity:
1 pc

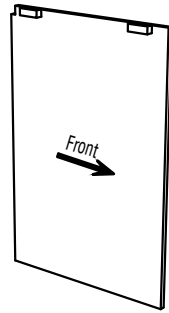
PARTS LIST - WF313030

O



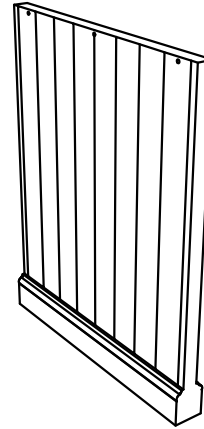
Quantity:
2 pcs

P



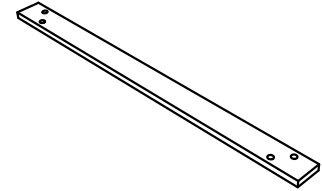
Quantity:
1 pc

Q

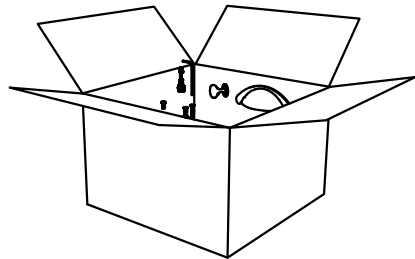


Quantity:
1 pc

R



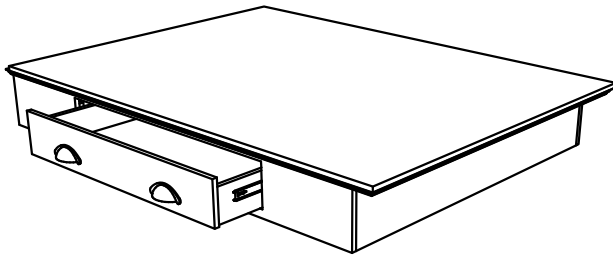
Quantity:
1 pc



HARDWARE




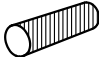


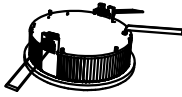

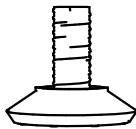


PARTS LIST - WF313031

S



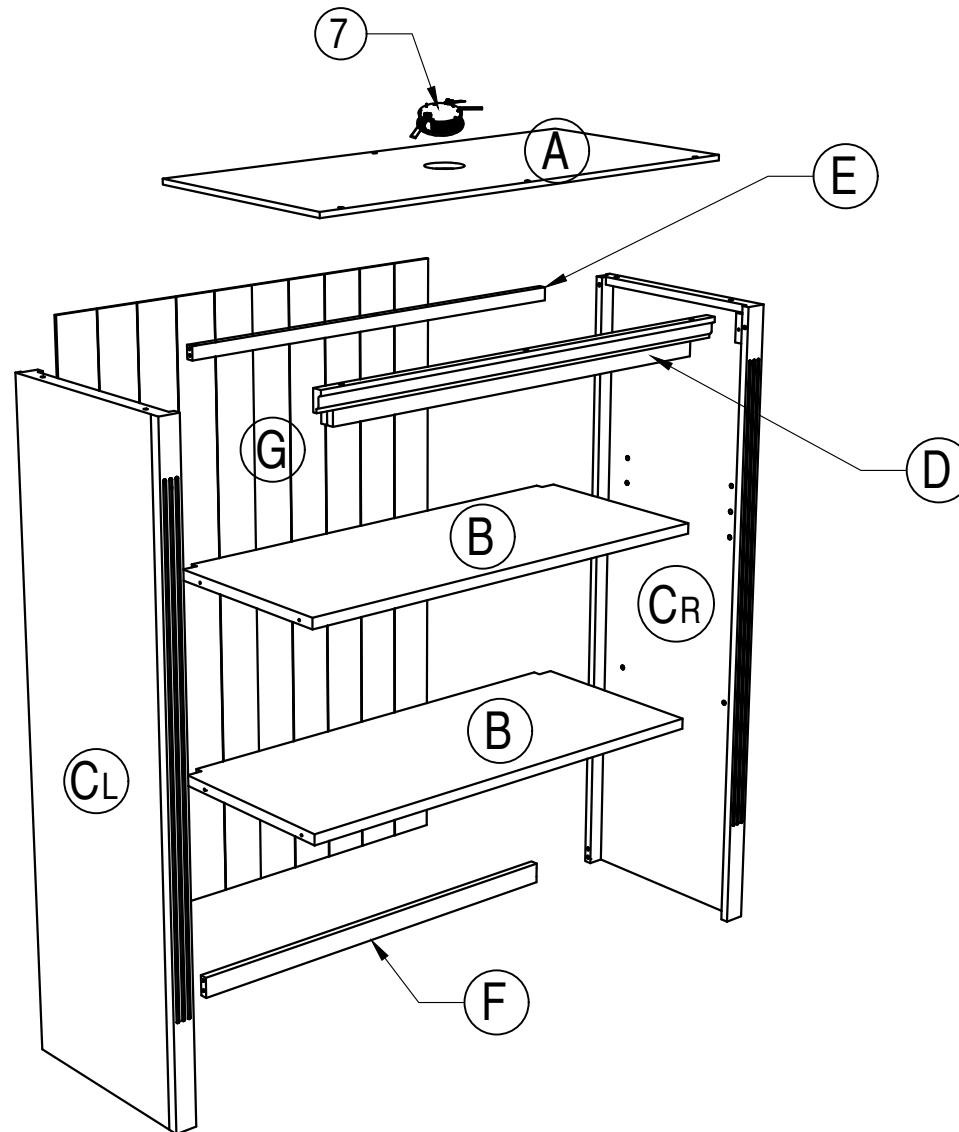
Quantity:
1 pc

HARDWARE LIST

<p>①</p>  <p>Allen key Quantity: 1 pc</p>	<p>②</p>  <p>6x30mm Quantity: 49 pcs + extra 3pcs</p>	<p>③</p>  <p>6x16mm Quantity: 39 pcs + extra 3pcs</p>	<p>④</p>  <p>8x30mm Quantity: 16 pcs + extra 2pcs</p>	<p>⑤</p>  <p>4x30mm Quantity: 6 pcs + extra 1pc</p>	<p>⑥</p>  <p>3x15mm Quantity: 46 pcs + extra 3pcs</p>	<p>⑦</p>  <p>Led light Quantity: 1 pc</p>	<p>⑧</p>  <p>Screwdrivers Quantity: 1 pc</p>	<p>⑨</p>  <p>15x20mm Quantity: 6 pcs</p>
<p>⑩</p>  <p>20x80mm Quantity: 2 pcs</p>	<p>⑪</p>  <p>4x20mm Quantity: 4 pcs</p>							

COMPONENTS - KEY DIAGRAM

WF313025



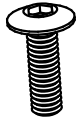
STEP 1

1



1 pc

2



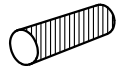
6x30mm
1 pc

3



6x16mm
1 pc

4



8x30mm
4 pcs

5

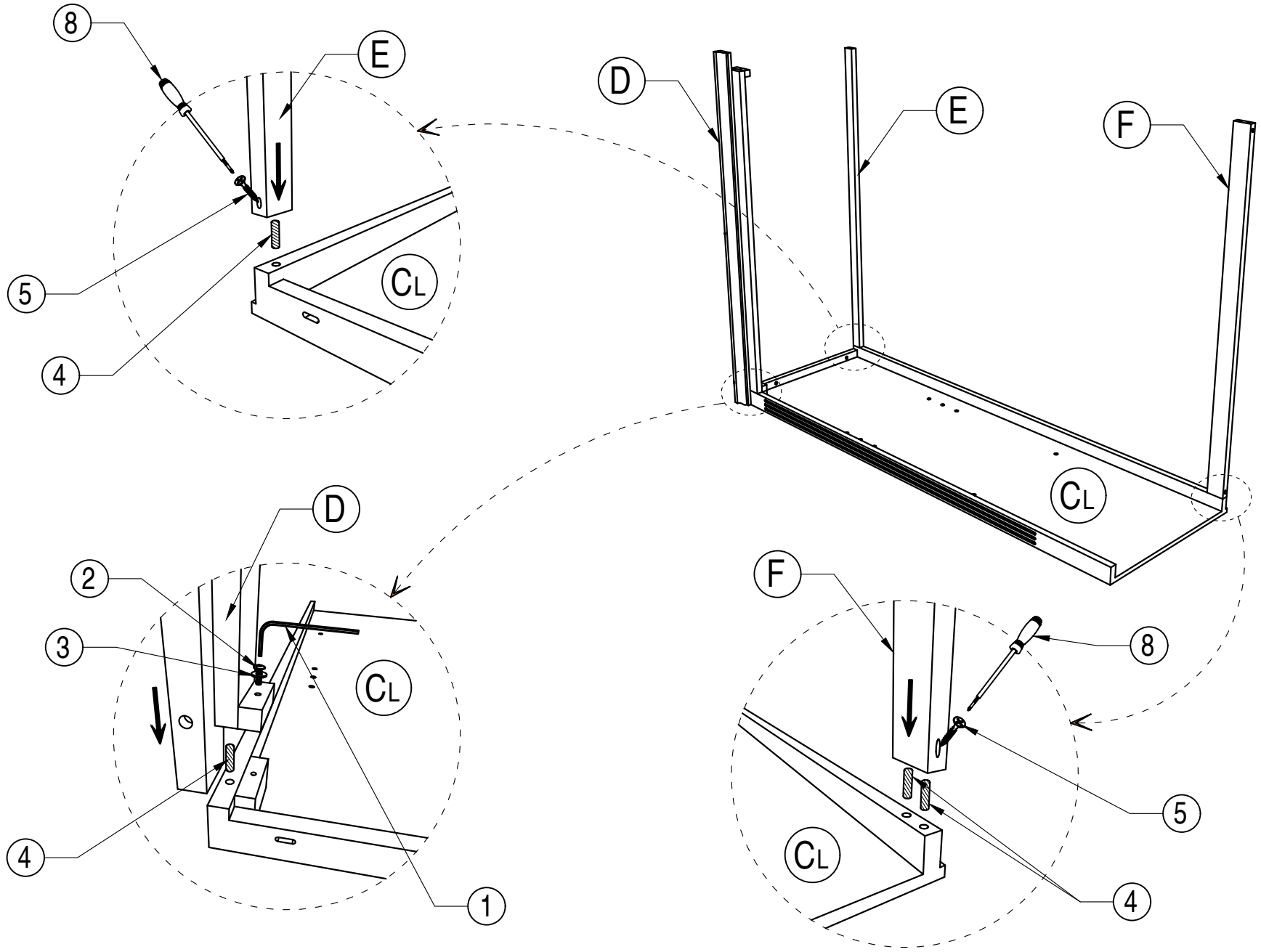


4x30mm
2 pcs

8



1 pc



STEP 2

1



1 pc

2

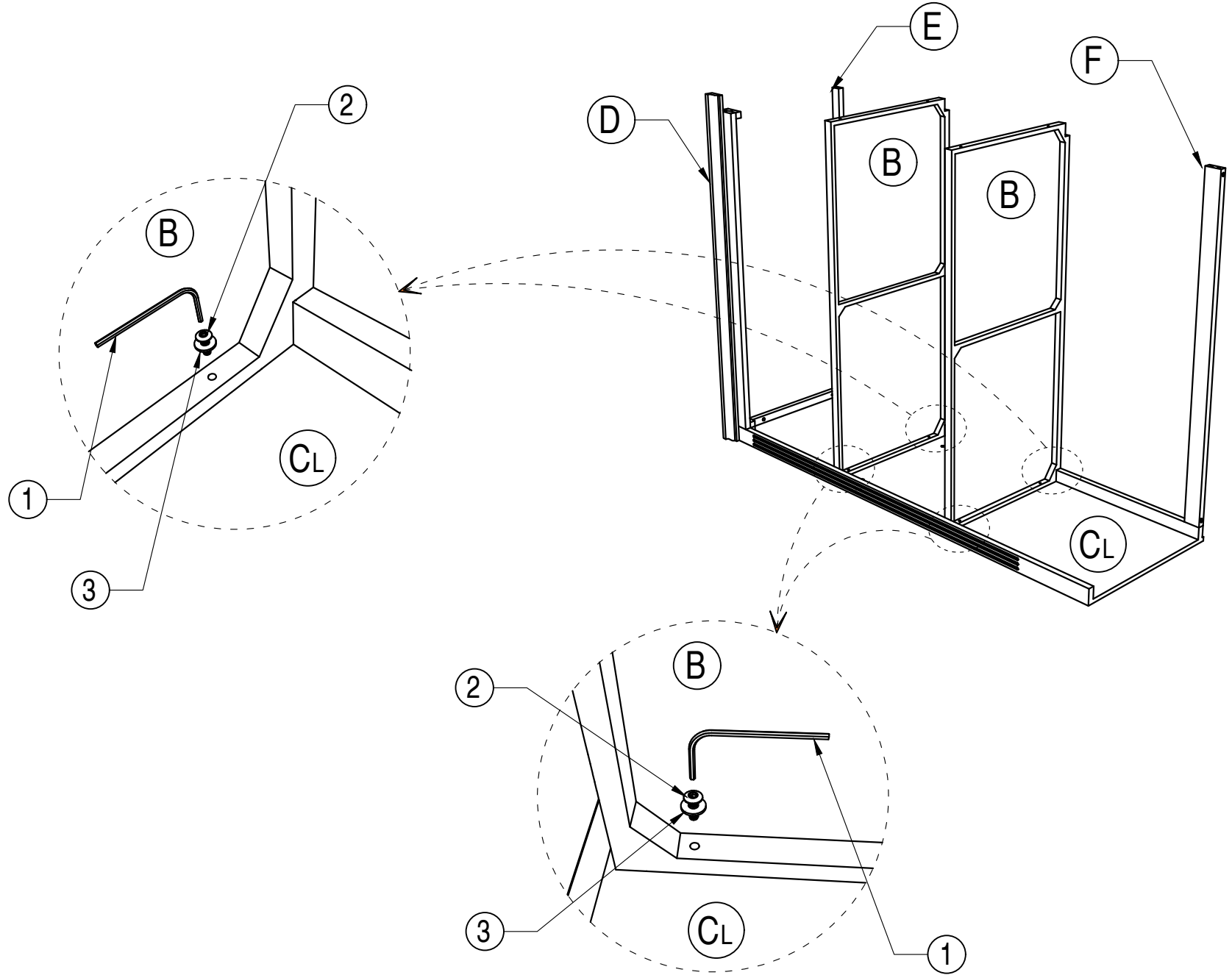


6x30mm
4 pcs


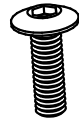
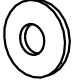
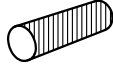


3

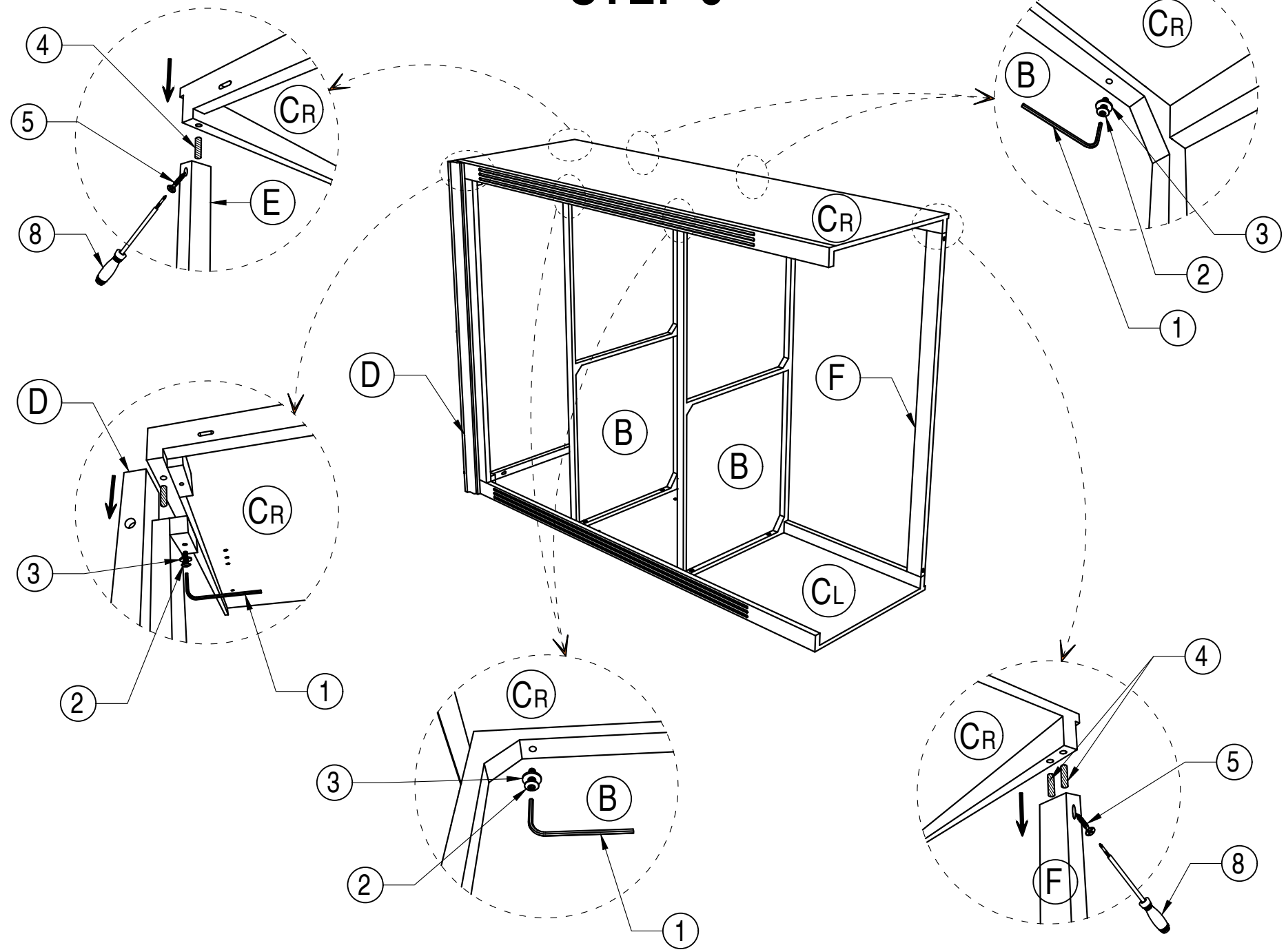


6x16mm
4 pcs



STEP 3

- ①

1 pc
- ②

6x30mm
5 pcs
- ③

6x16mm
5 pcs
- ④

8x30mm
4 pcs
- ⑤

4x30mm
2 pcs
- ⑧

1 pc



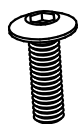
STEP 4

1

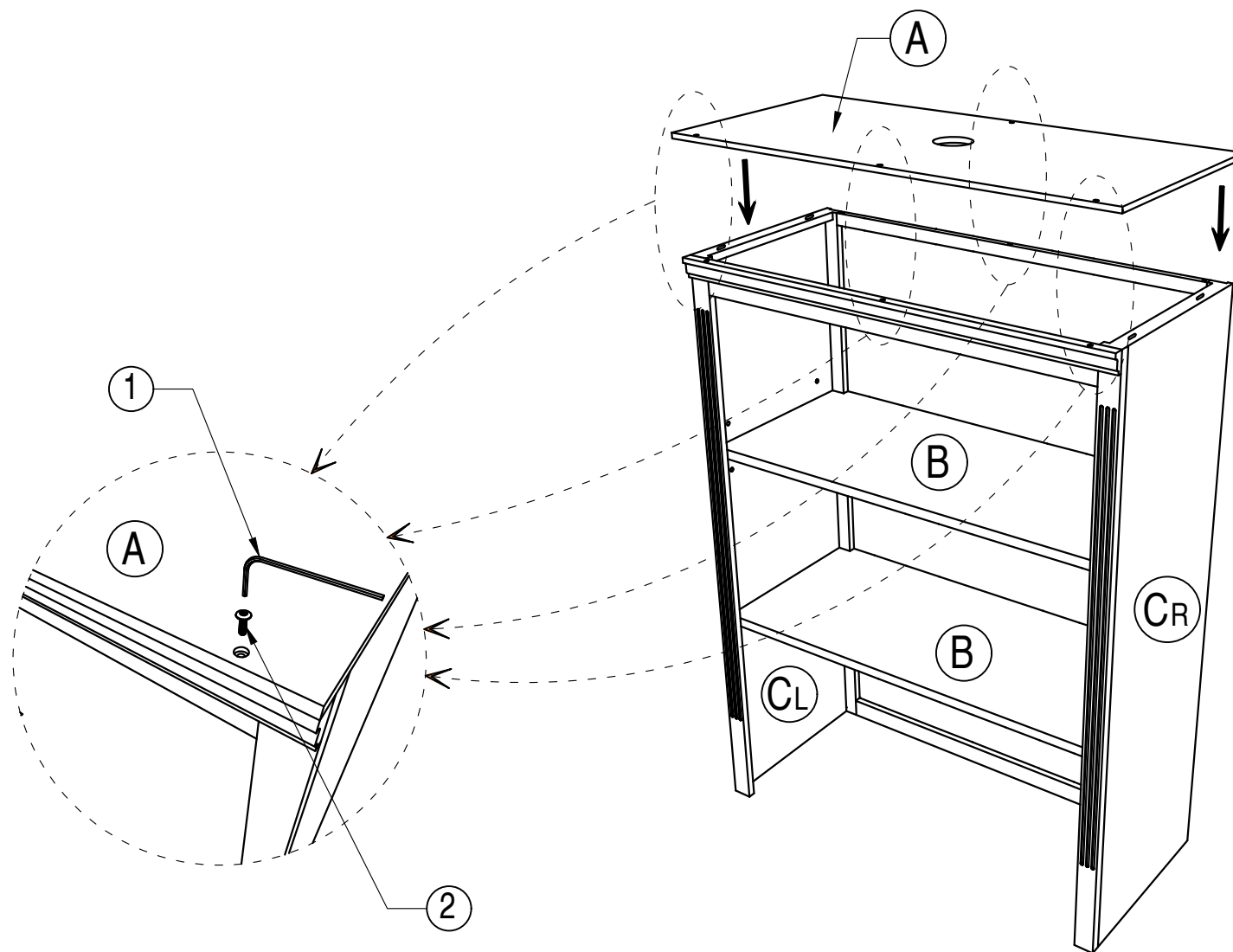


1 pc

2



6x30mm
4 pcs



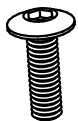
STEP 5

1



1 pc

2

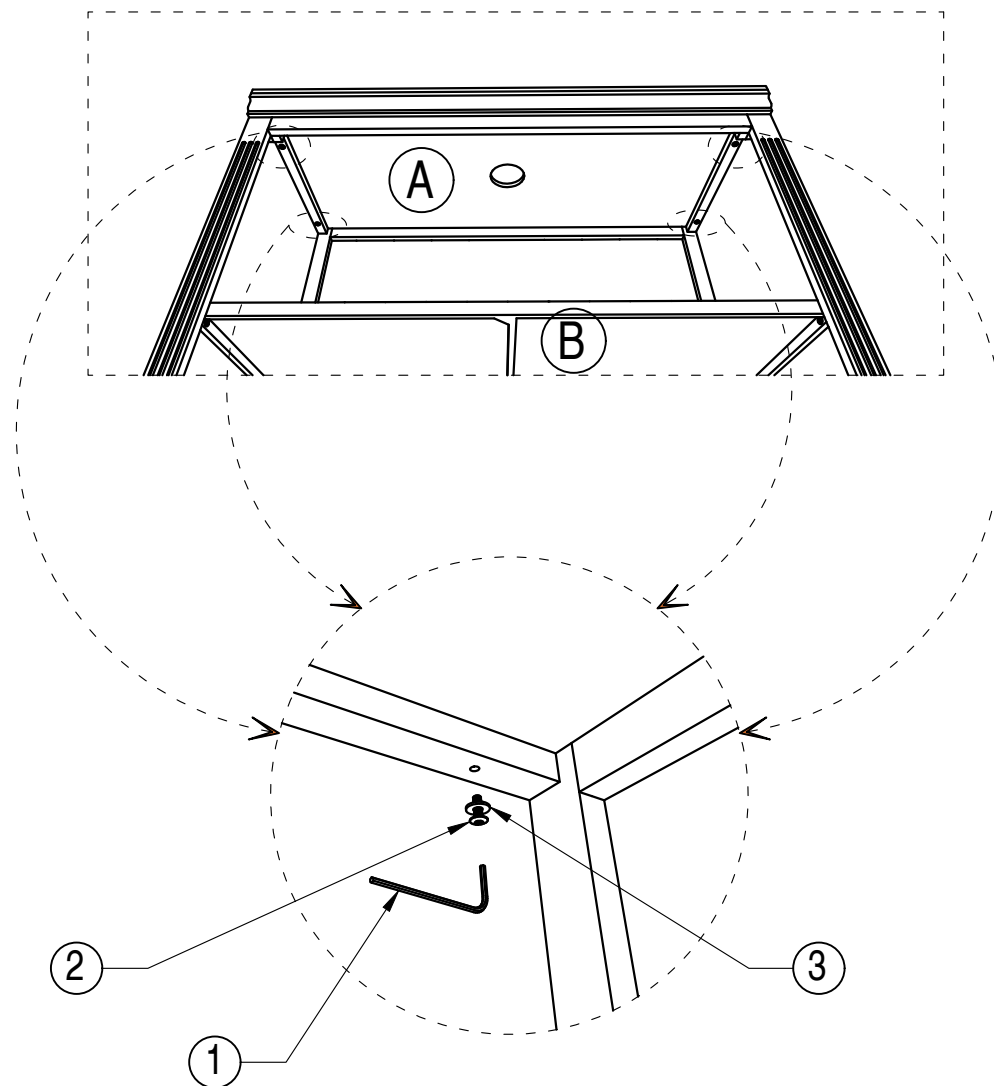


6x30mm
4 pcs

3



6x16mm
4 pcs



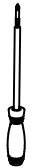
STEP 6

6

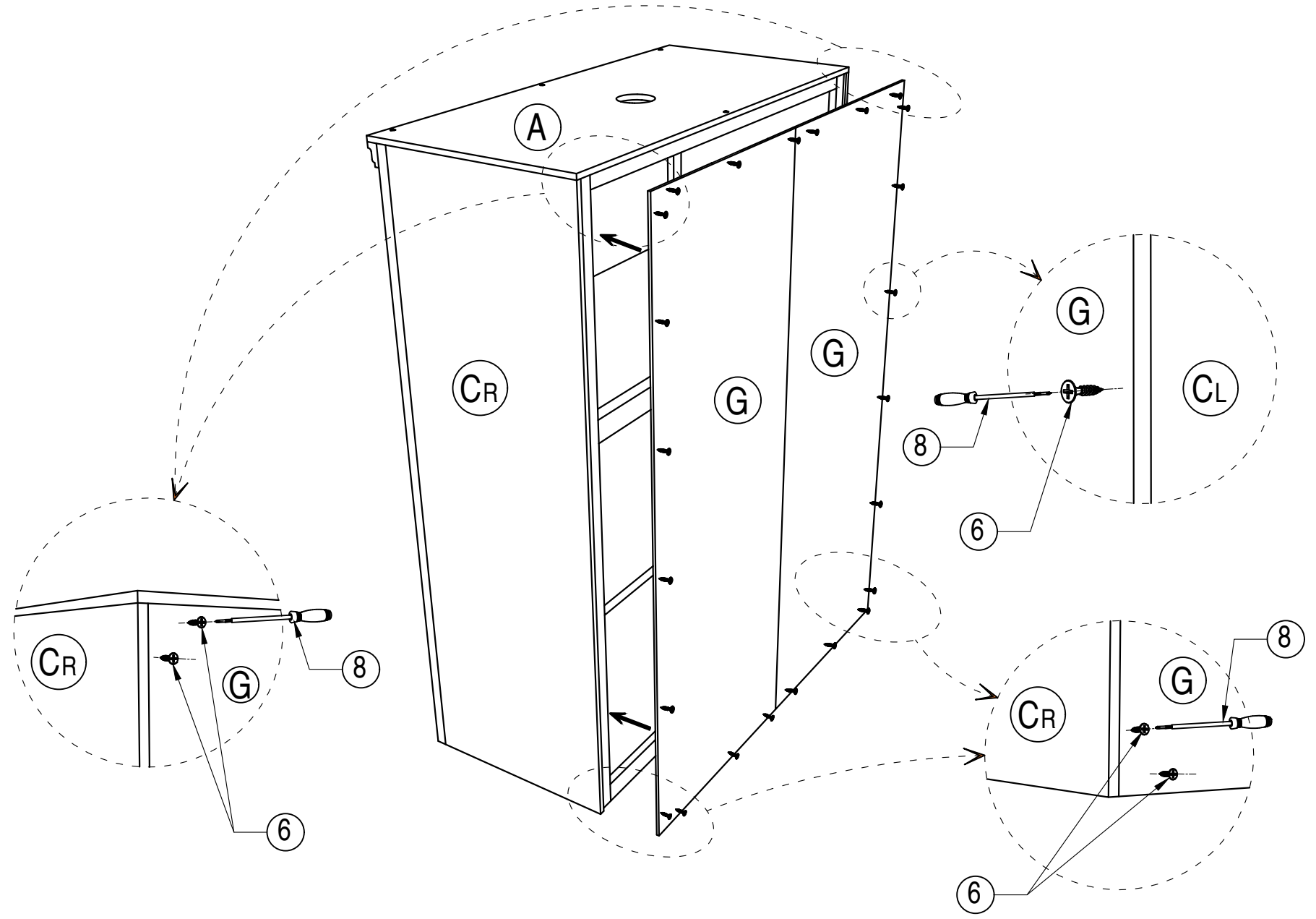


3x15mm
24 pcs

8



1 pc

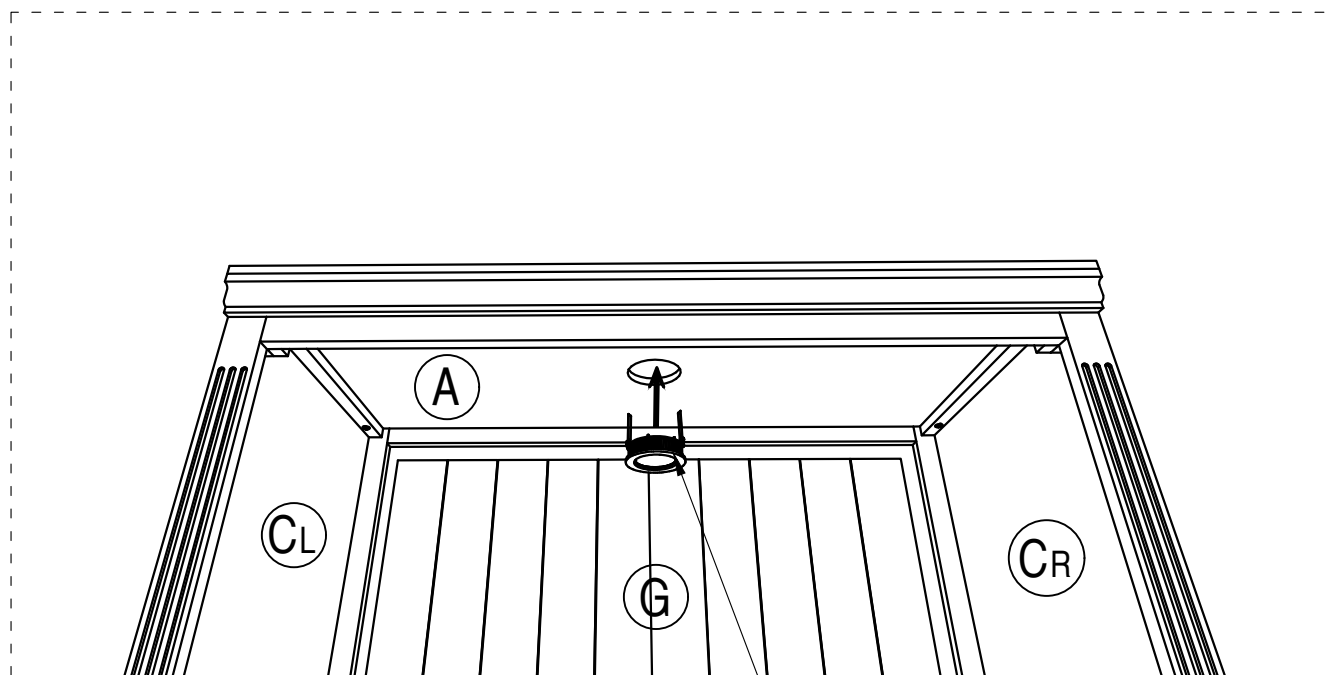


7

STEP 7



1 pc

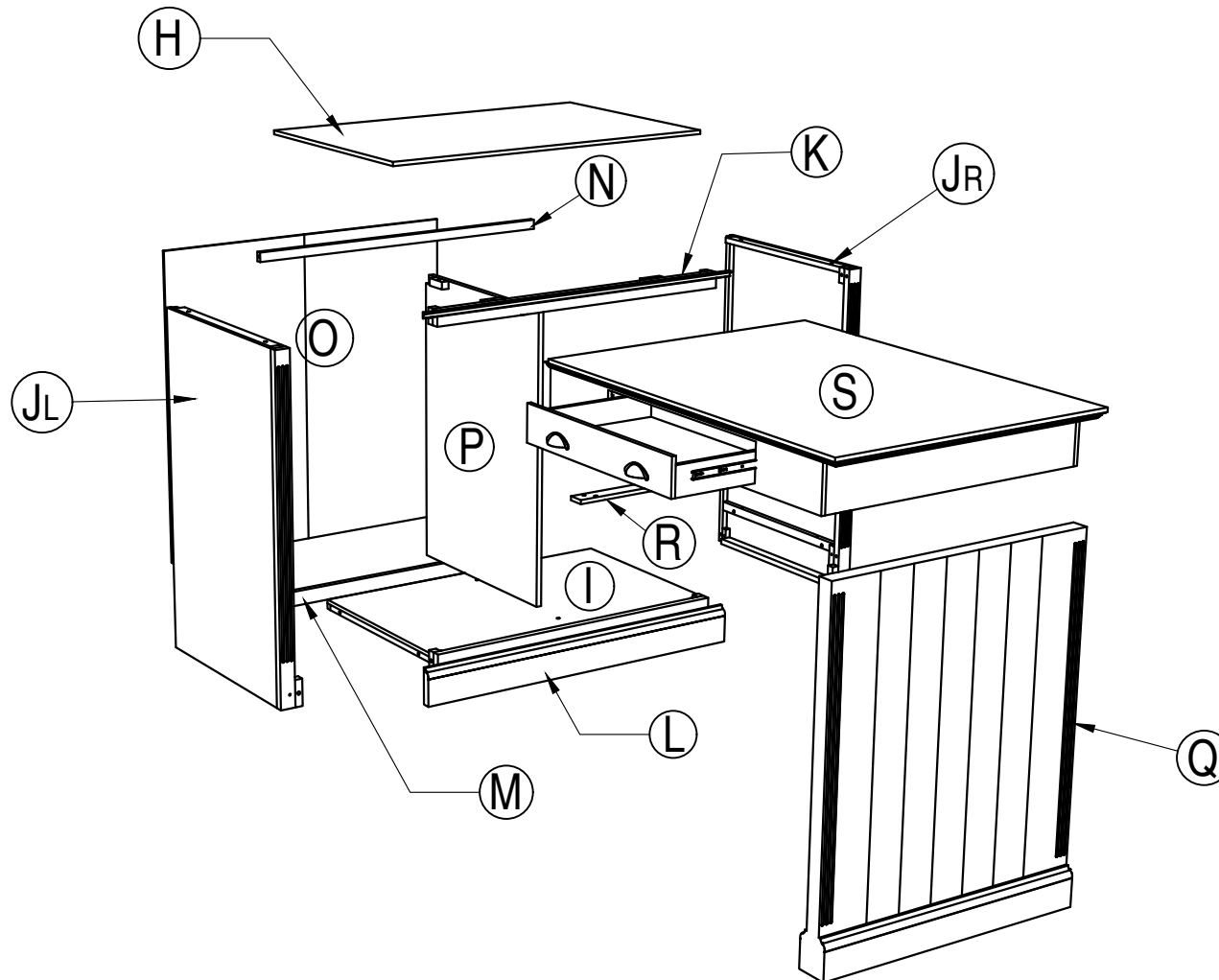


7

COMPONENTS - KEY DIAGRAM

WF313030

WF313031



STEP 8

1



1 pc

2



6x30mm
4 pcs

3



6x16mm
2 pcs

4



8x30mm
4 pcs

5

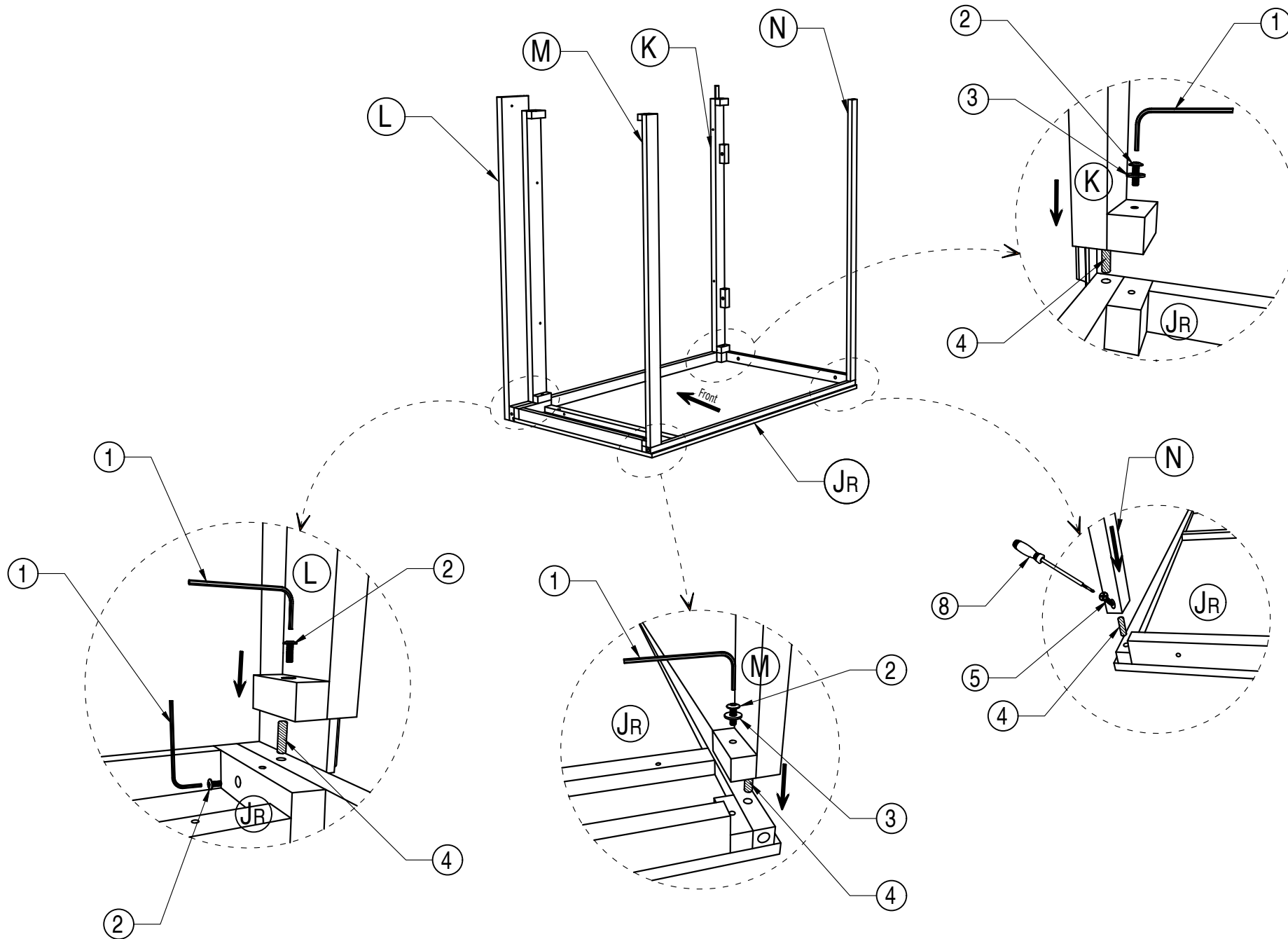


4x30mm
1 pc

8



1 pc



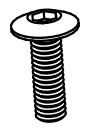
STEP 9

1



1 pc

2

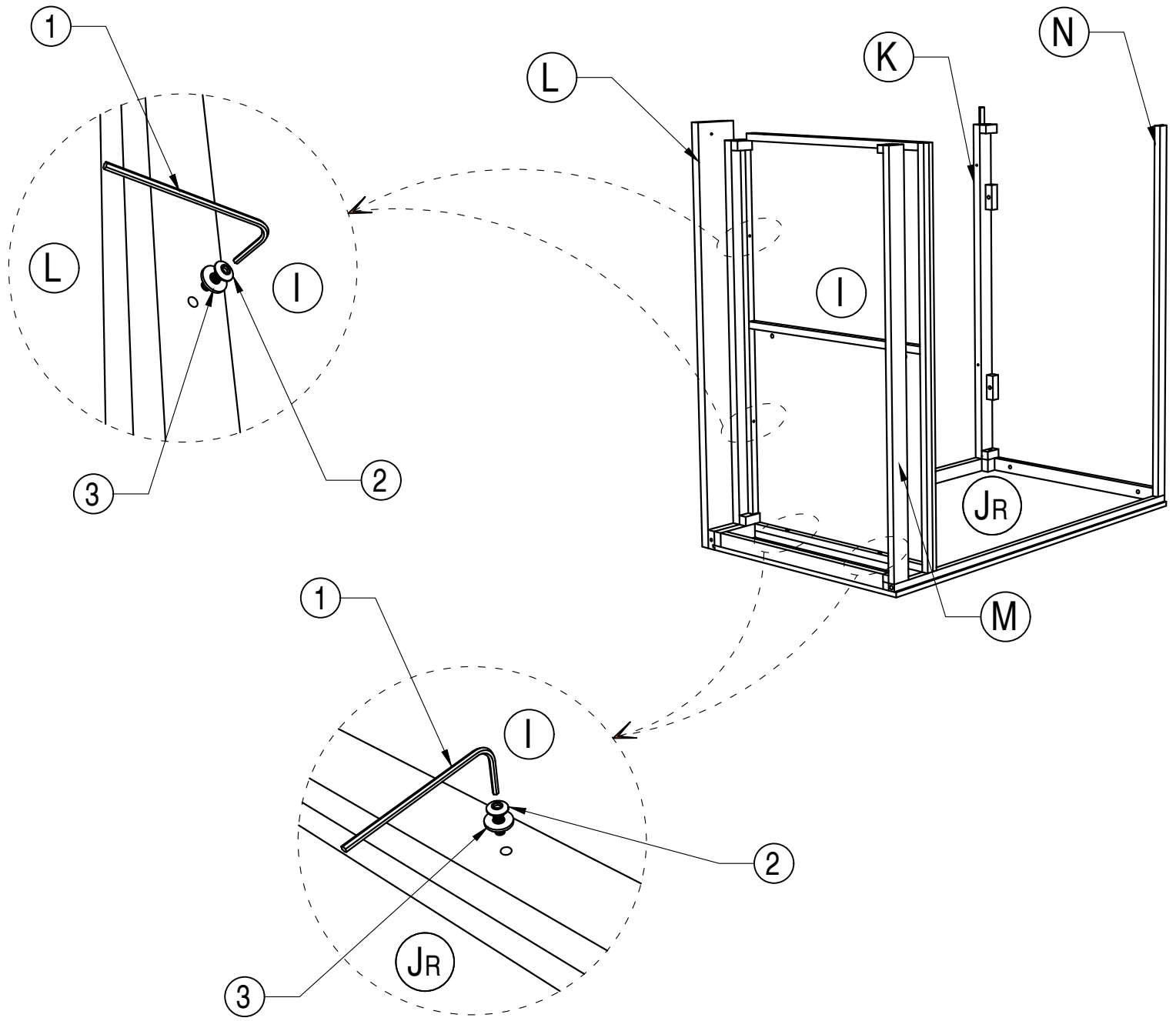


6x30mm
4 pcs

3



6x16mm
4 pcs



STEP 10

1



1 pc

2



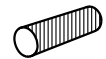
6x30mm
6 pcs

3



6x16mm
4 pcs

4



8x30mm
4 pcs

5

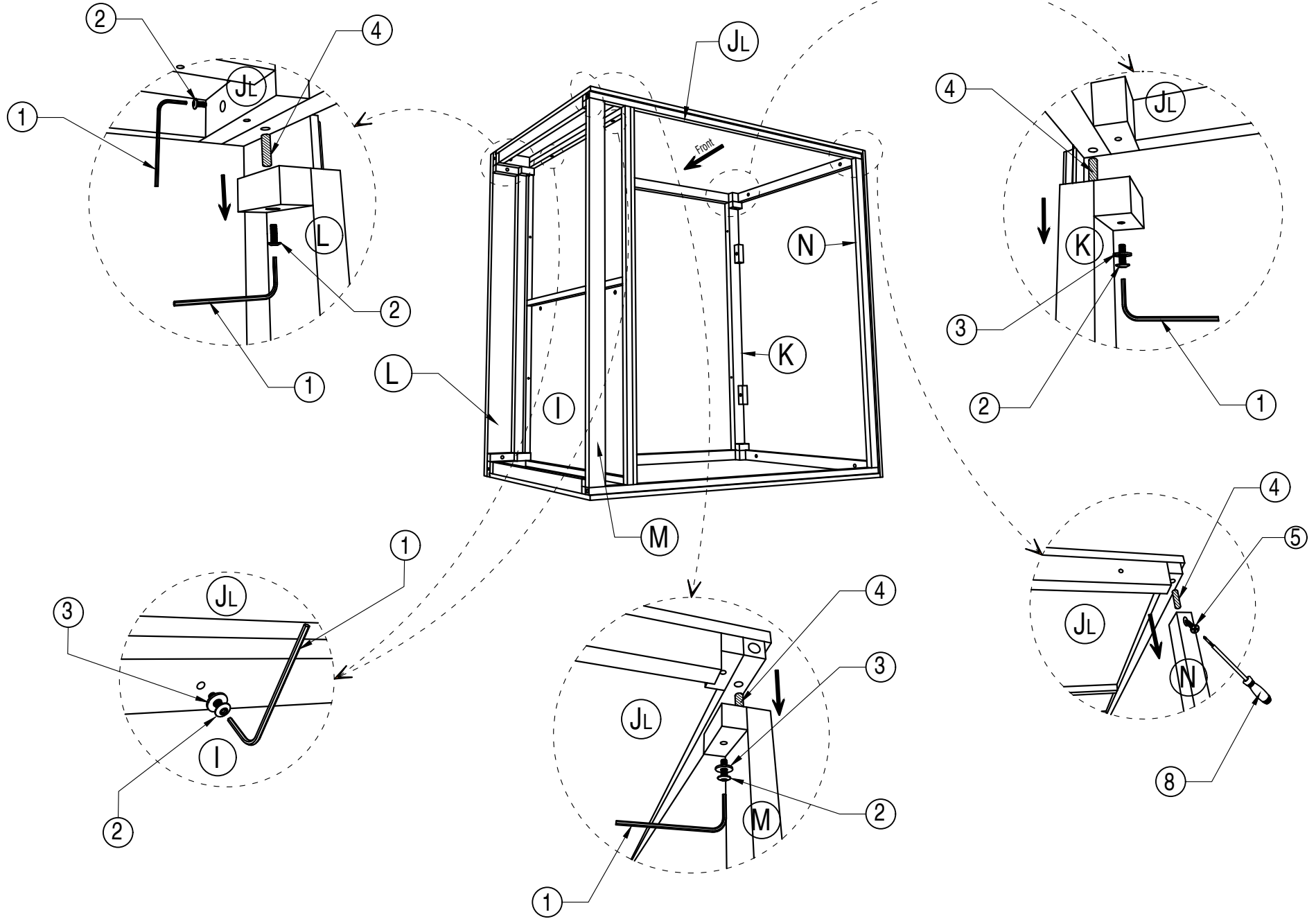


4x30mm
1 pc

8



1 pc



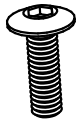
STEP 11

1

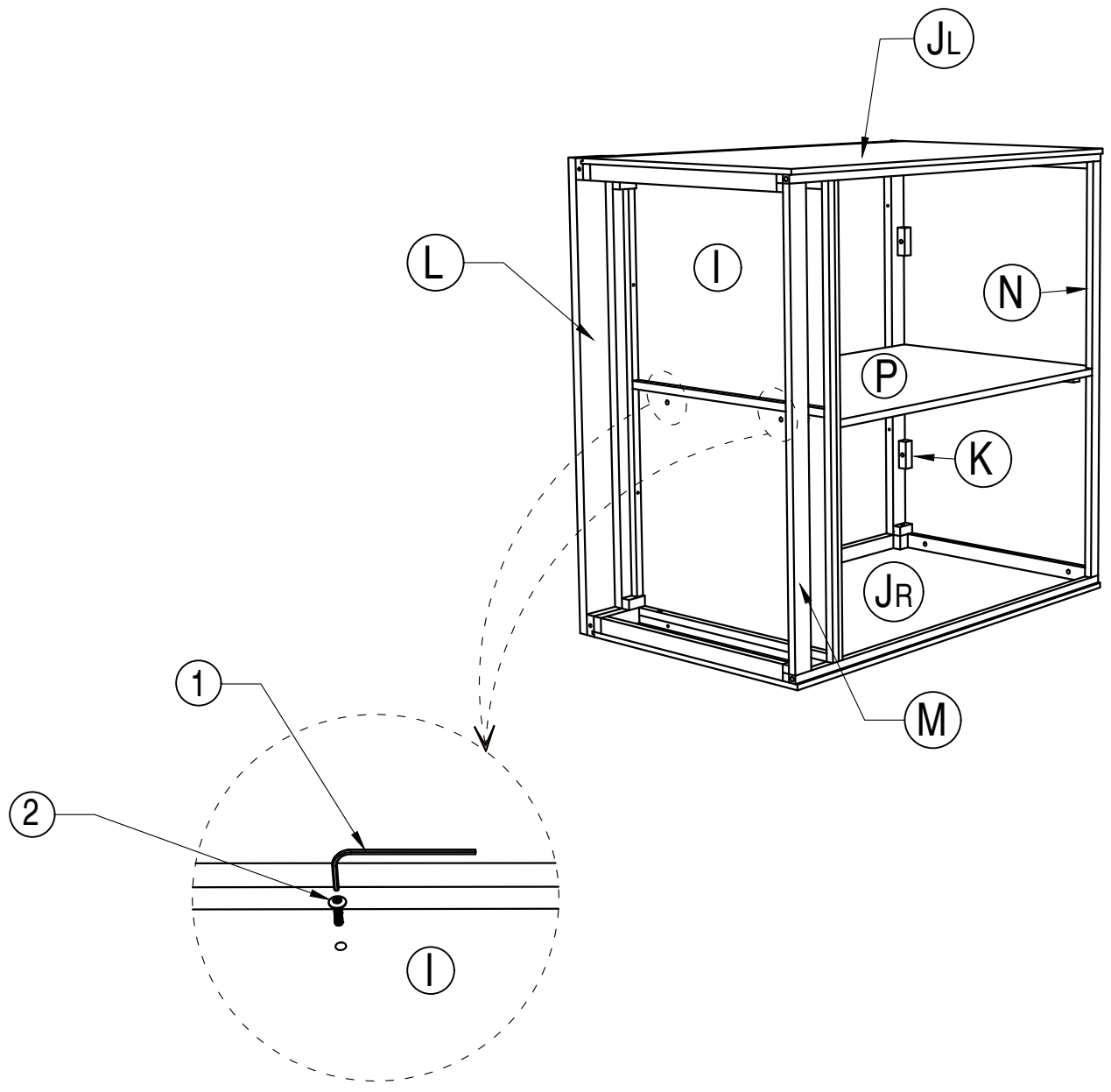


1 pc

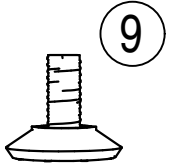
2



6x30mm
2 pcs

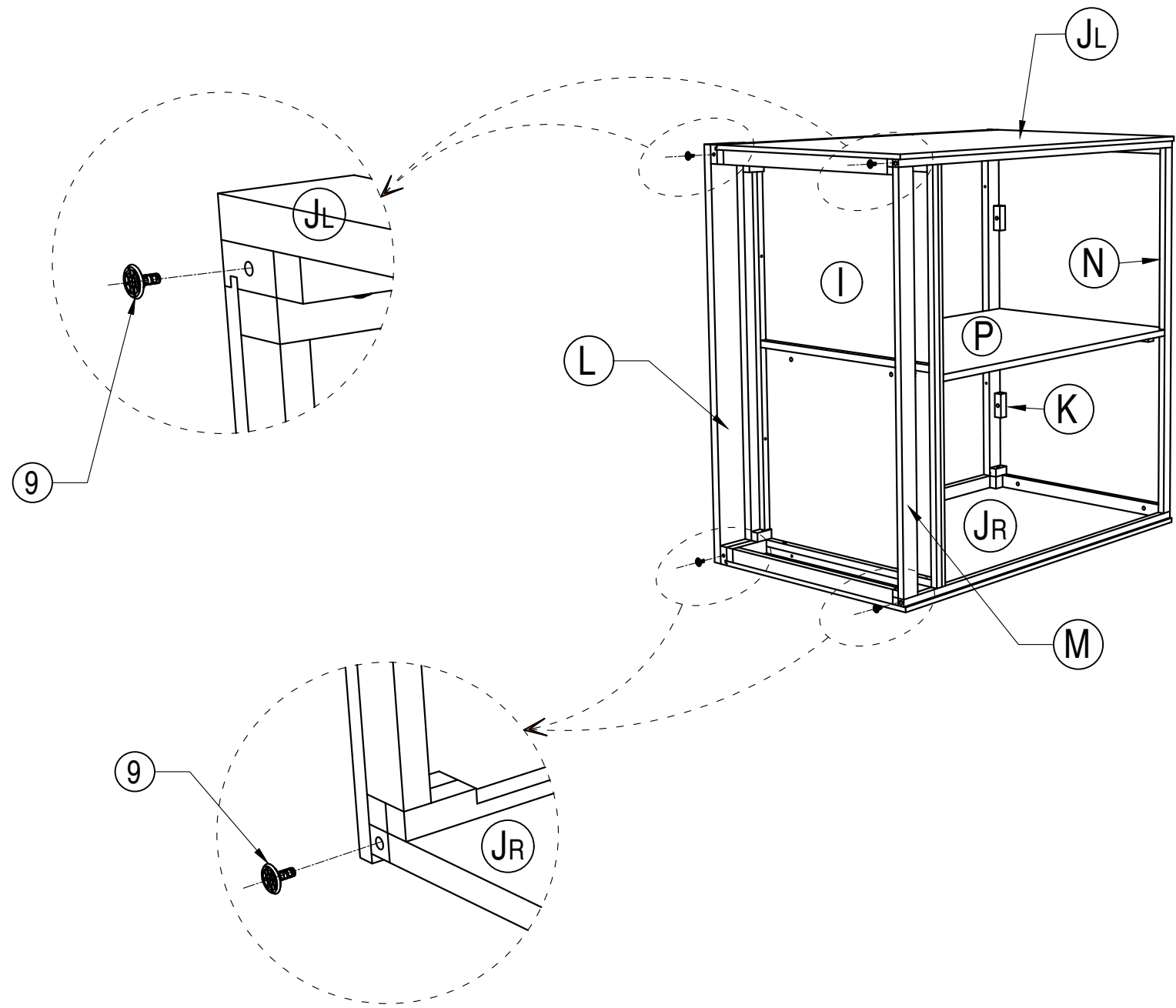


STEP 12



9

15x20mm
4 pcs



STEP 13

1



1 pc

2

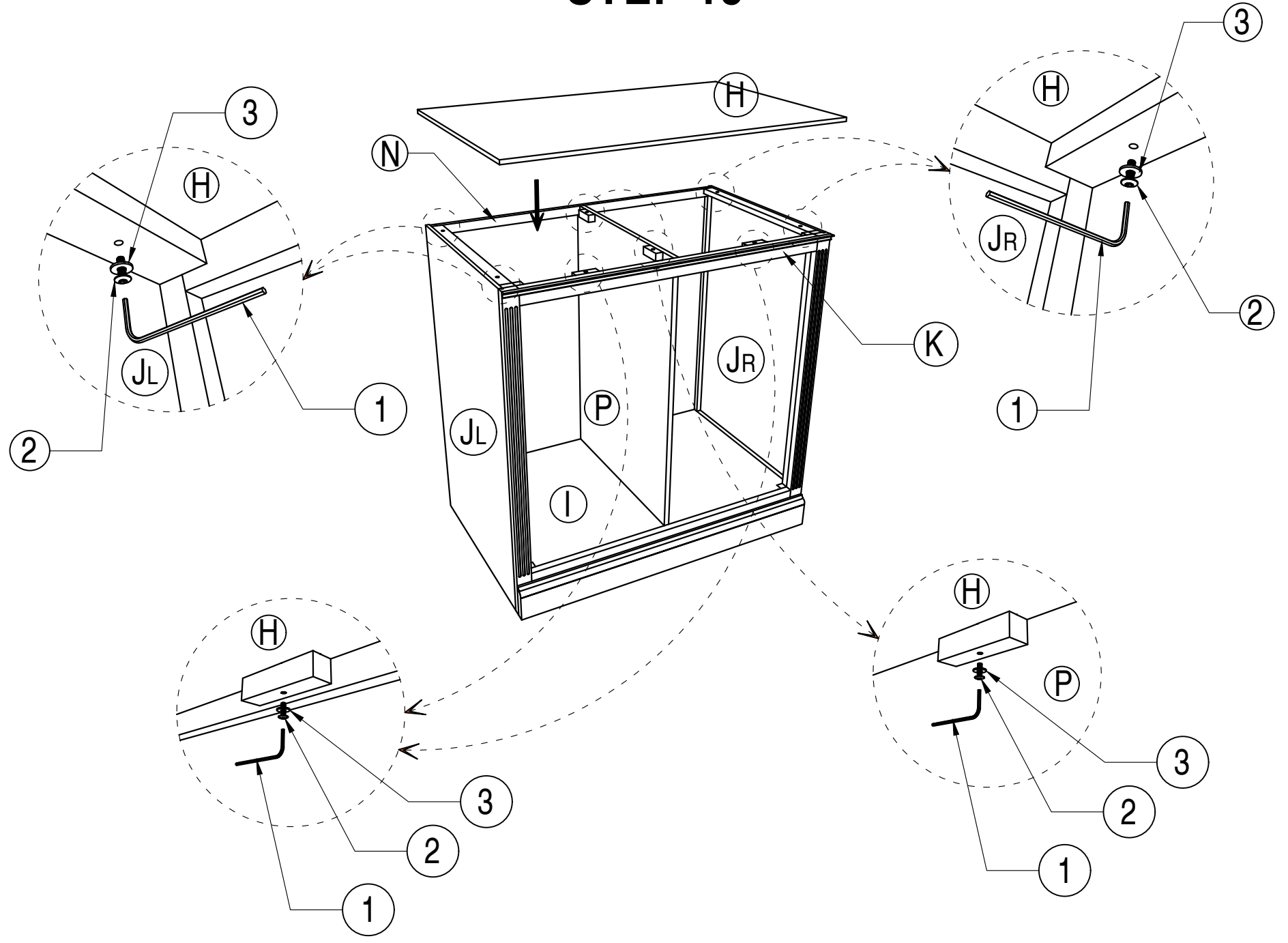


6x30mm
8 pcs

3



6x16mm
8 pcs



STEP 14

6

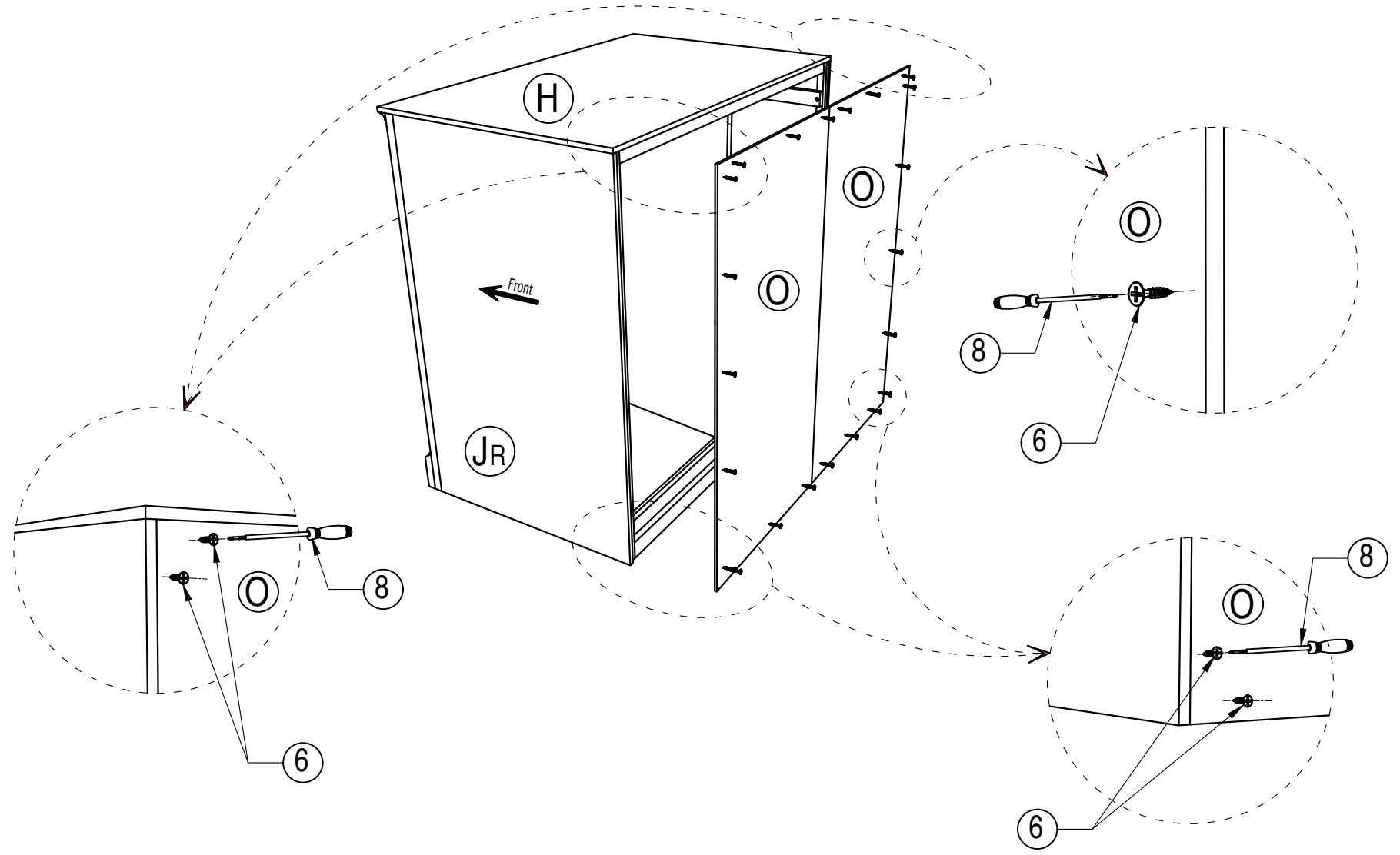


3x15mm
22 pcs

8



1 pc



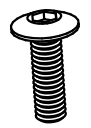
STEP 15

1



1 pc

2



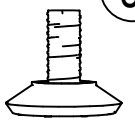
6x30mm
3 pcs

3

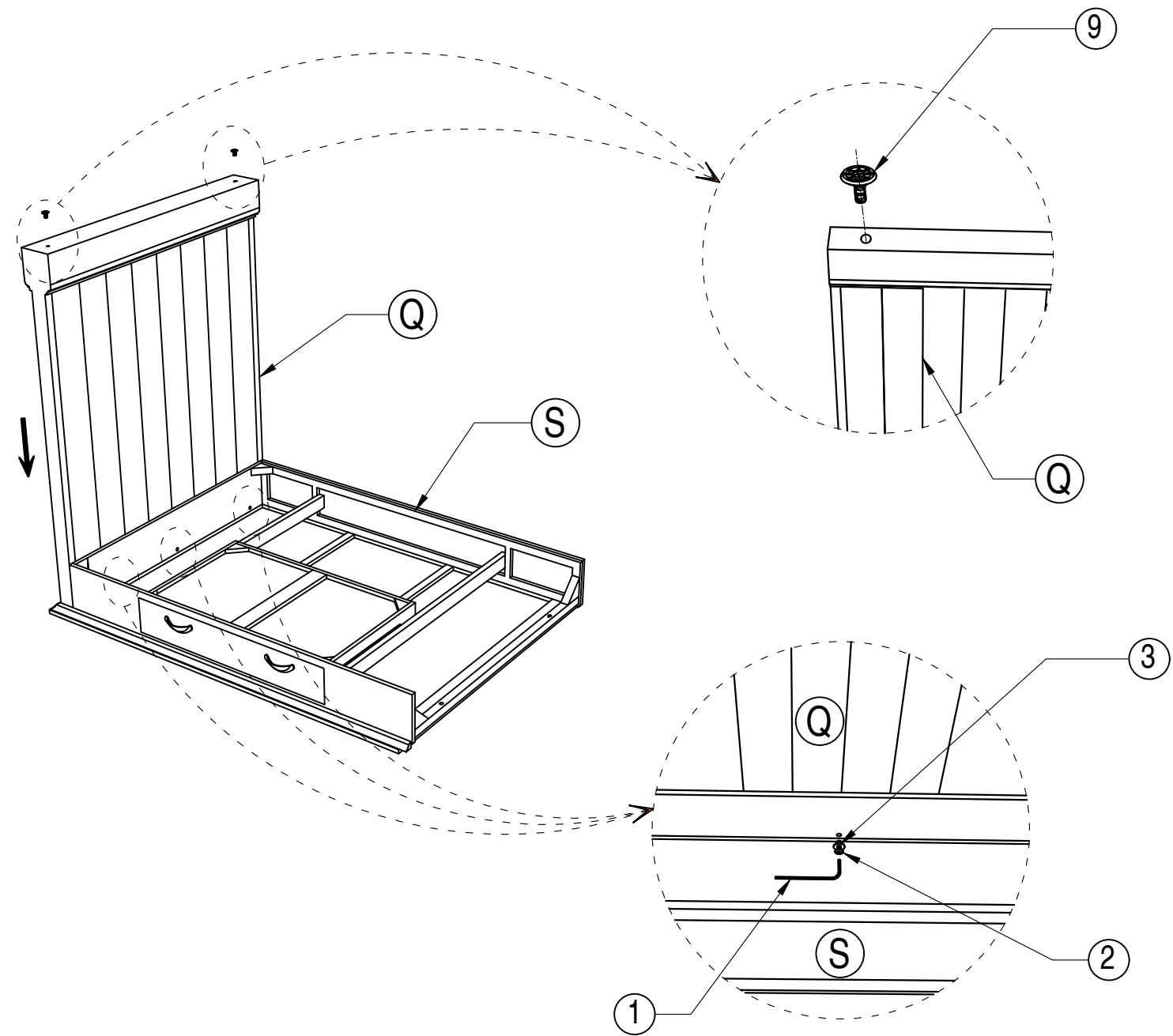


6x16mm
3 pcs

9



15x20mm
2 pcs



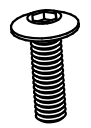
STEP 16

1



1 pc

2

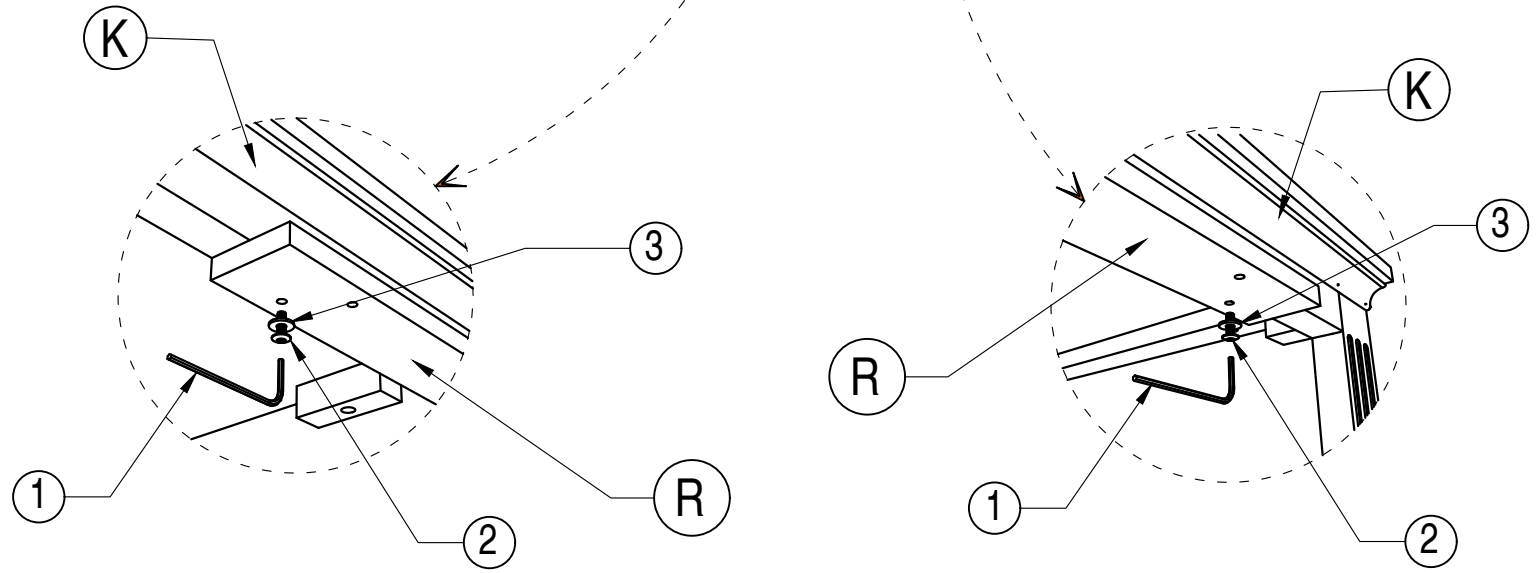
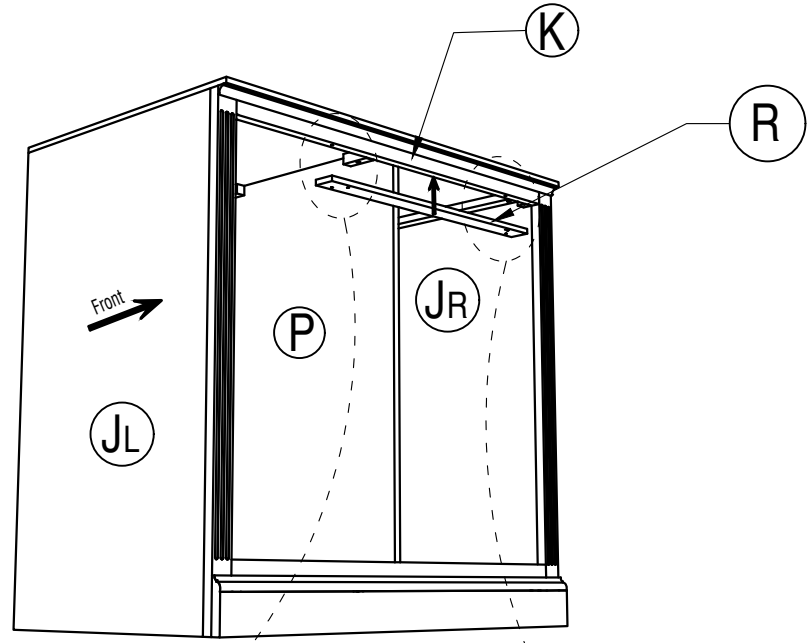


6x30mm
2 pcs

3



6x16mm
2 pcs



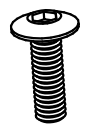
STEP 17

1



1 pc

2

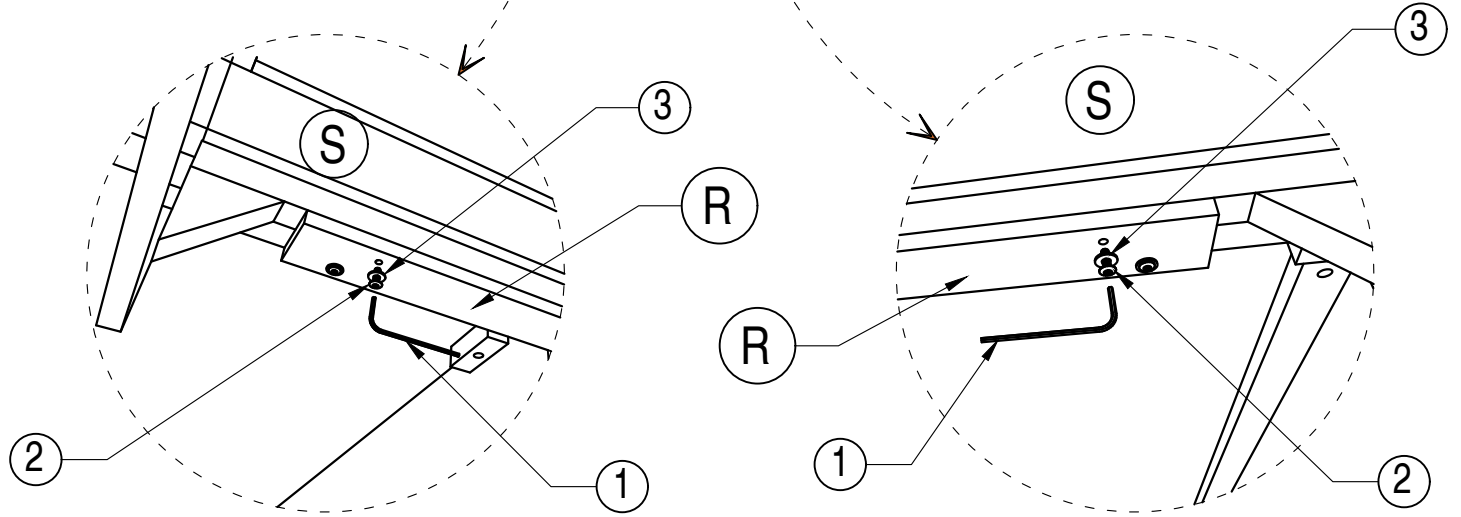
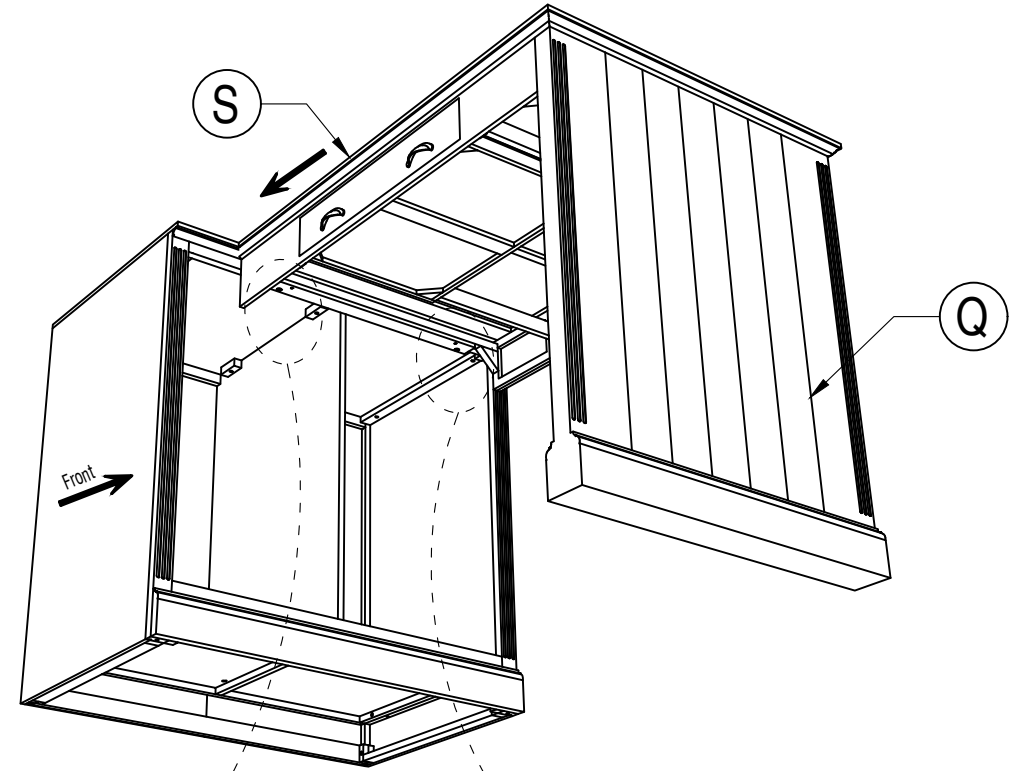


6x30mm
2 pcs




3



6x16mm
2 pcs



STEP 18

-  **8**
1 pc
-  **10**
20x80mm
2 pcs
-  **11**
4x20mm
4 pcs

