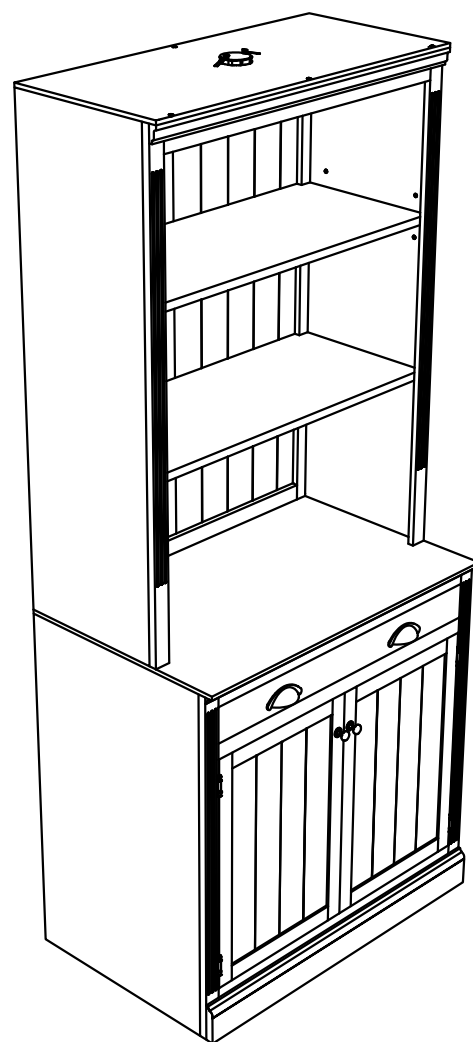


ASSEMBLY INSTRUCTION

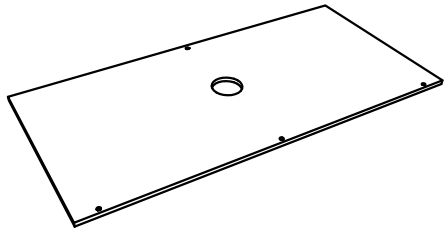
WF313025

WF313026



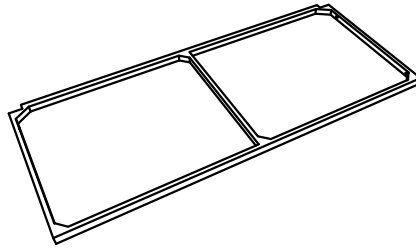
PARTS LIST - WF313025

A



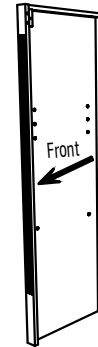
Quantity:
1 pc

B



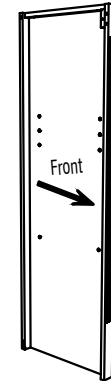
Quantity:
2 pcs

CL



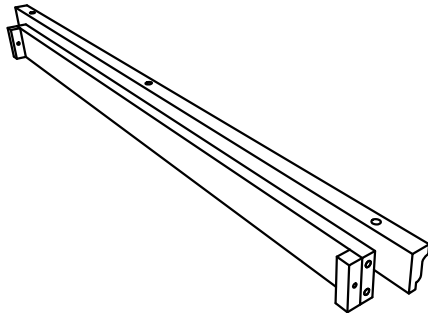
Quantity:
1 pc

CR



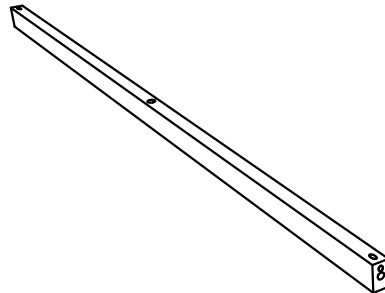
Quantity:
1 pc

D



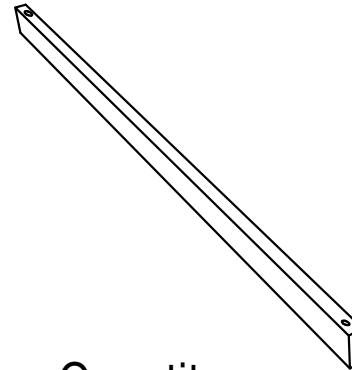
Quantity:
1 pc

E



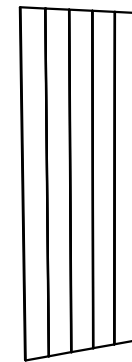
Quantity:
1 pc

F



Quantity:
1 pc

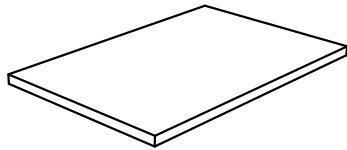
G



Quantity:
2 pcs

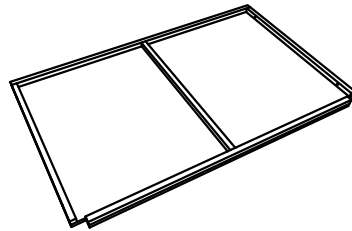
PARTS LIST - WF313026

H



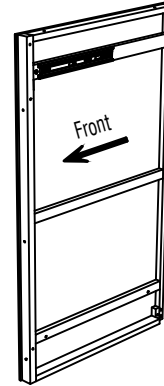
Quantity:
1 pc

I



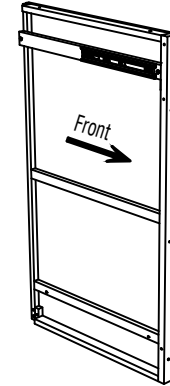
Quantity:
1 pc

JL



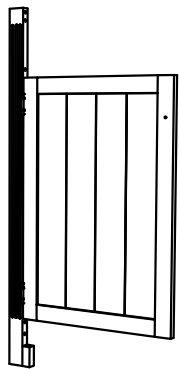
Quantity:
1 pc

JR



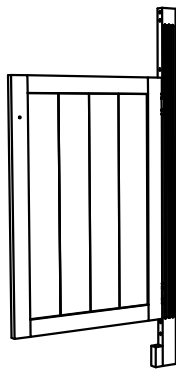
Quantity:
1 pc

KL



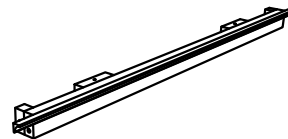
Quantity:
1 pc

KR



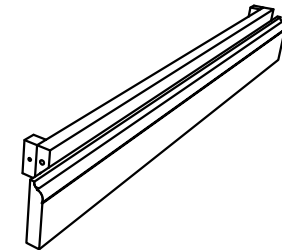
Quantity:
1 pc

L



Quantity:
1 pc

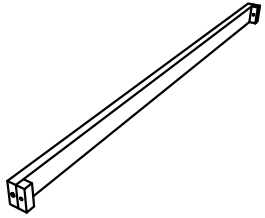
M



Quantity:
1 pc

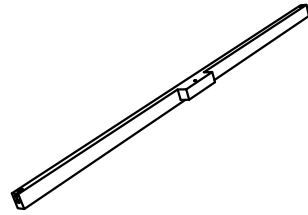
PARTS LIST - WF313026

N



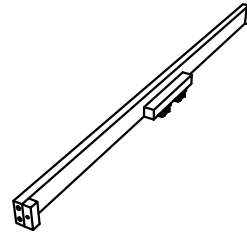
Quantity:
1 pc

O



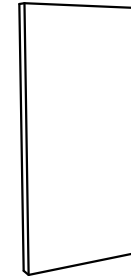
Quantity:
1 pc

P



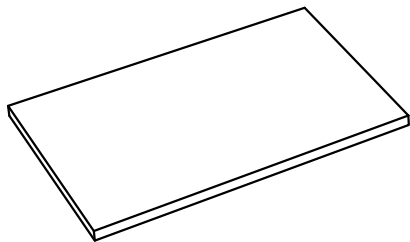
Quantity:
1 pc

Q



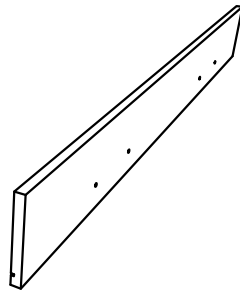
Quantity:
2 pcs

R



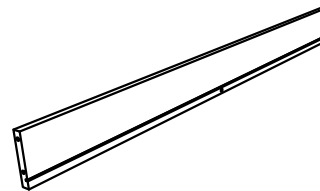
Quantity:
1 pc

S



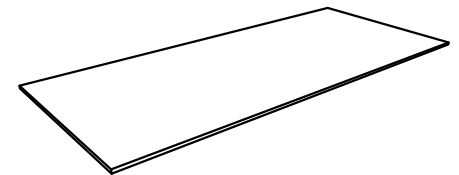
Quantity:
1 pc

T



Quantity:
1 pc

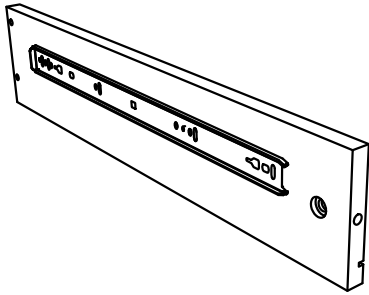
U



Quantity:
1 pc

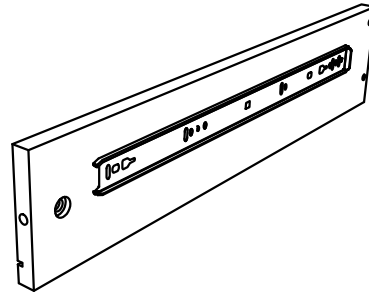
PARTS LIST - WF313026

WL



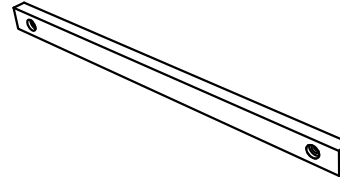
Quantity:
1 pc

WR

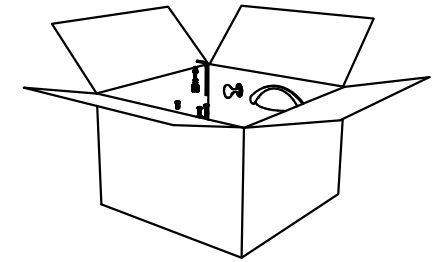


Quantity:
1 pc

X







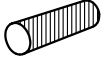


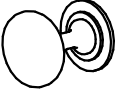


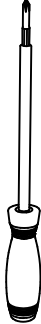
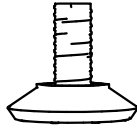




Quantity:
1 pc



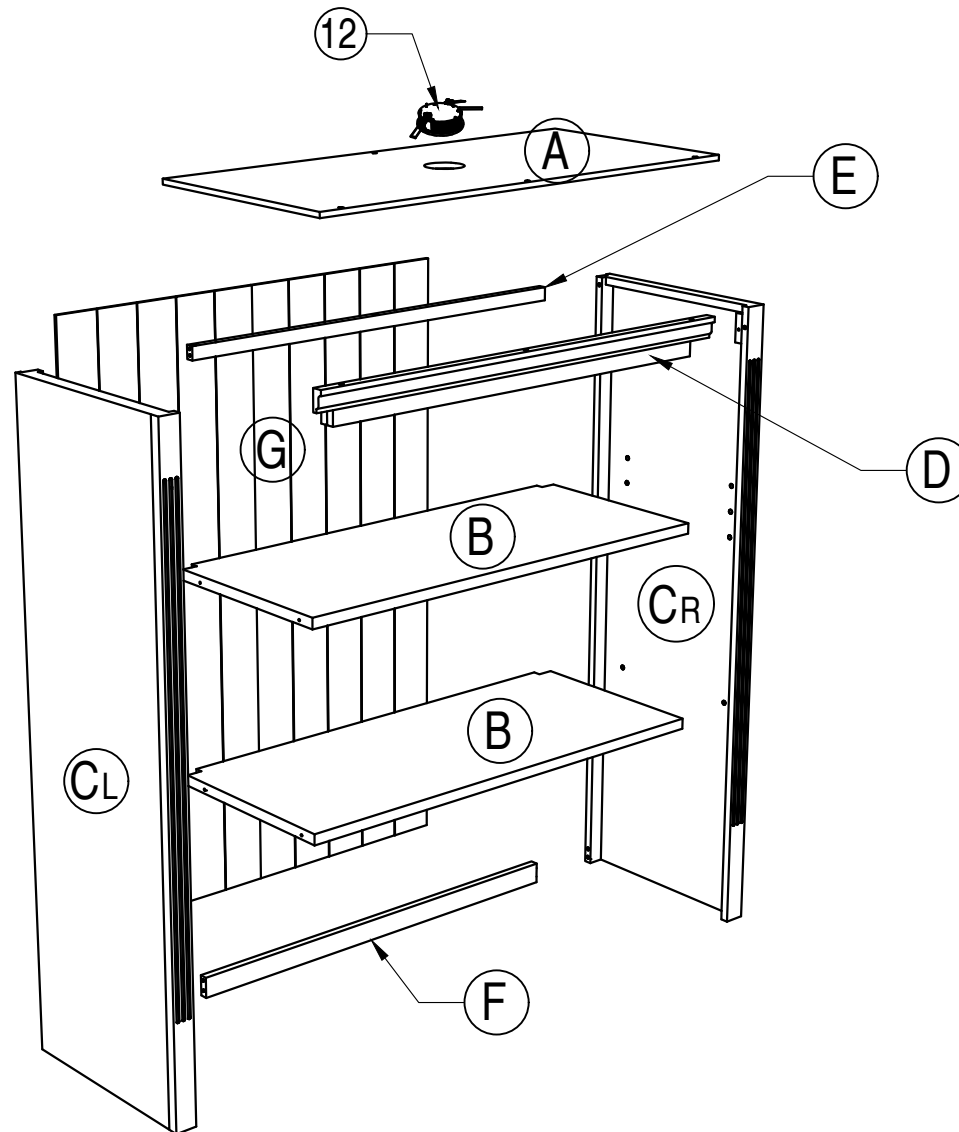
HARDWARE

HARDWARE LIST

<p>①</p>  <p>Allen key Quantity: 1 pc</p>	<p>②</p>  <p>Cam lock pin Cam lock Quantity: 4 pc</p>	<p>③</p>  <p>6x30mm Quantity: 47 pcs + extra 3pcs</p>	<p>④</p>  <p>6x16mm Quantity: 41 pcs + extra 3pcs</p>	<p>⑤</p>  <p>5x30mm Quantity: 2 pcs</p>	<p>⑥</p>  <p>5x15mm Quantity: 4 pcs</p>	<p>⑦</p>  <p>8x30mm Quantity: 20 pcs + extra 2pcs</p>	<p>⑧</p>  <p>5x30mm Quantity: 12 pcs</p>	<p>⑨</p>  <p>3x15mm Quantity: 46 pcs + extra 3pcs</p>
<p>⑩</p>  <p>Quantity: 2 pcs</p>	<p>⑪</p>  <p>Quantity: 2 pcs</p>	<p>⑫</p>  <p>Led light Quantity: 1 pc</p>	<p>⑬</p>  <p>Screwdrivers Quantity: 1 pc</p>	<p>⑭</p>  <p>15x20mm Quantity: 4 pcs</p>	<p>⑮</p>  <p>20x80mm Quantity: 2 pcs</p>	<p>⑯</p>  <p>4x20mm Quantity: 4 pcs</p>	<p style="font-size: 2em;">/</p>	<p style="font-size: 2em;">/</p>

COMPONENTS - KEY DIAGRAM

WF313025



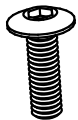
STEP 1

1



1 pc

3



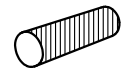
6x30mm
1 pc

4



6x16mm
1 pc

7



8x30mm
4 pcs

8

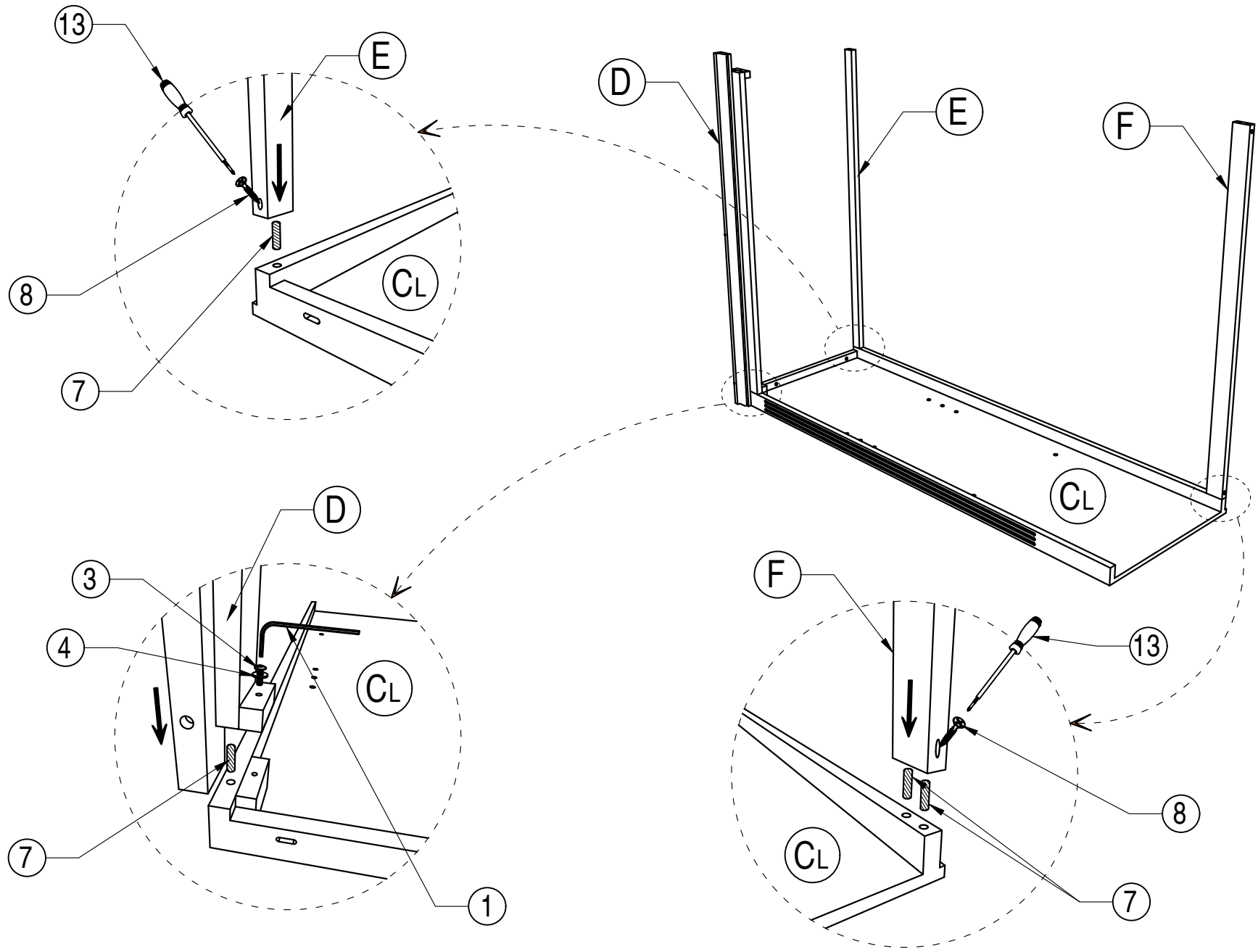


5x30mm
2 pcs

13



1 pc



STEP 2

1



1 pc

3

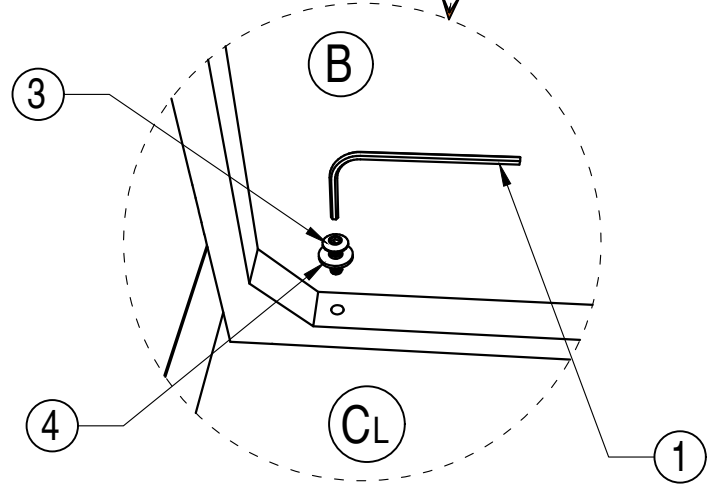
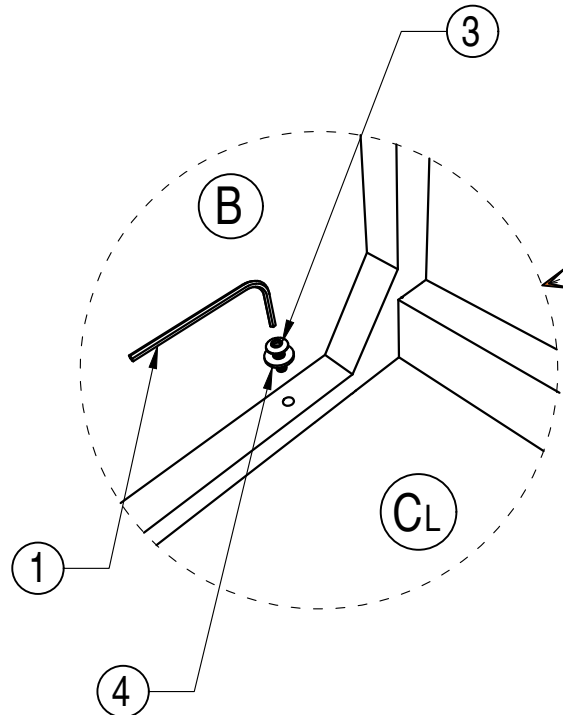
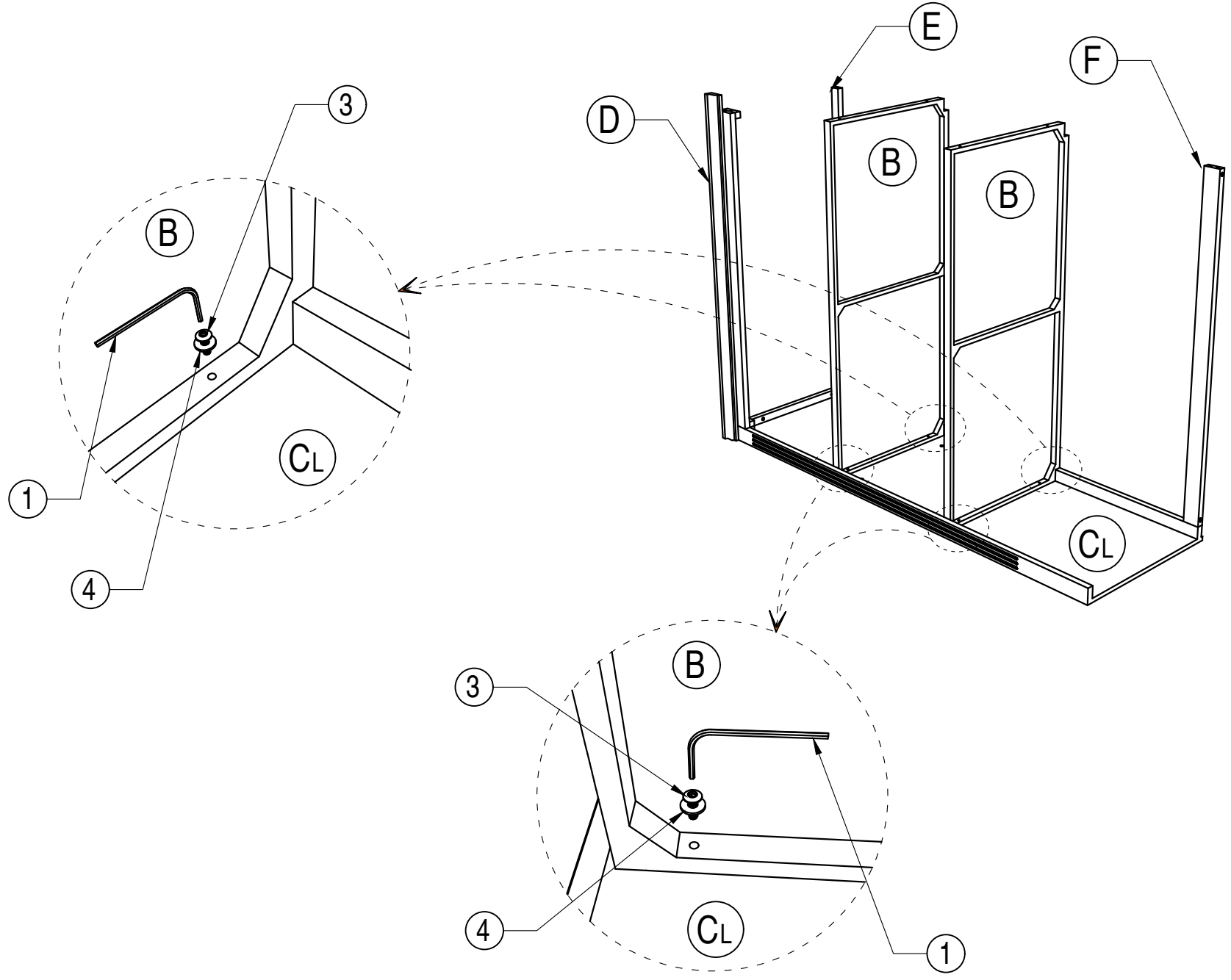


6x30mm
4 pcs

4



6x16mm
4 pcs



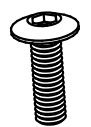
STEP 3

1



1 pc

3



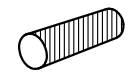
6x30mm
5 pcs

4



6x16mm
5 pcs

7



8x30mm
4 pcs

8

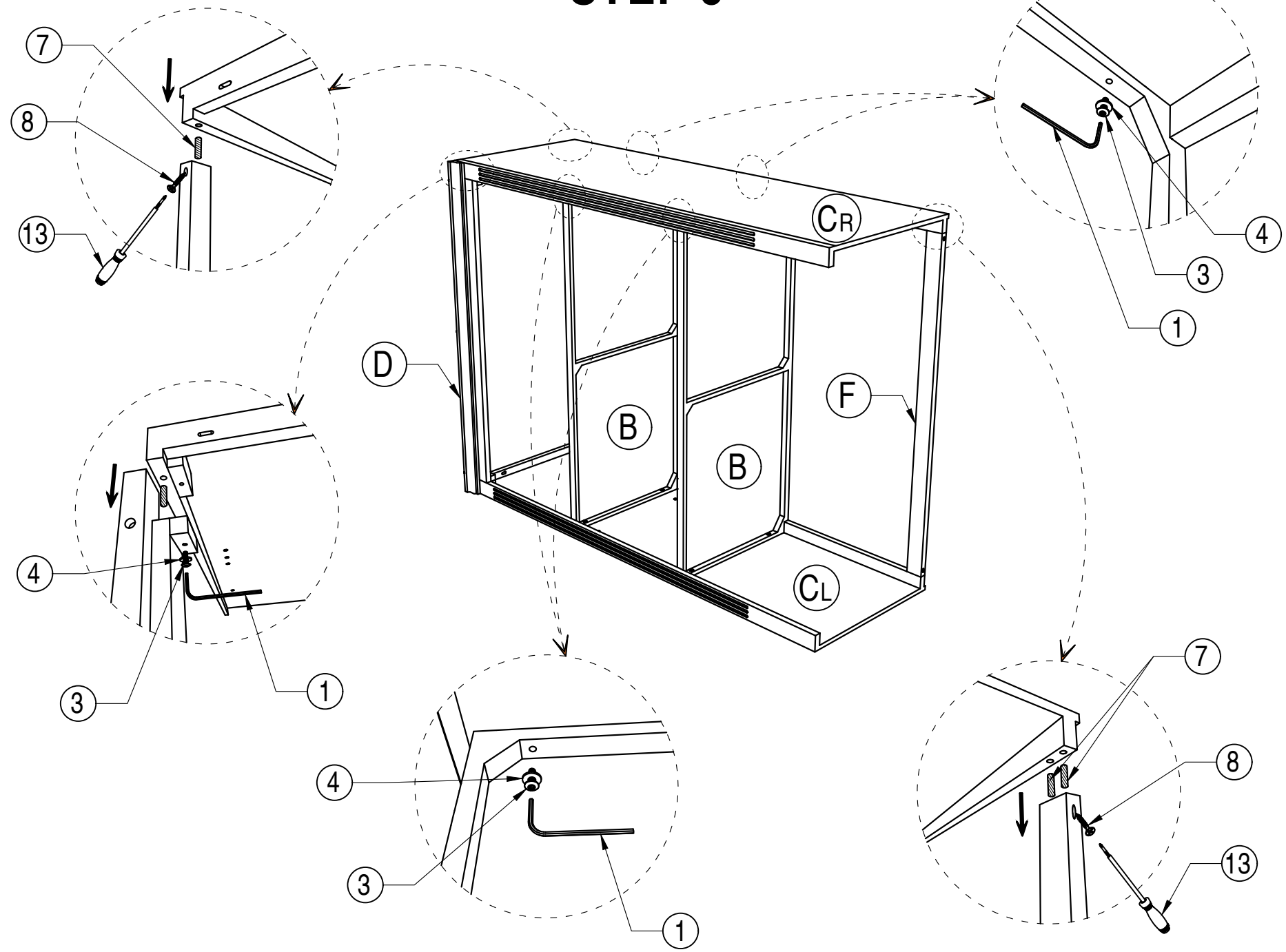


5x30mm
2 pcs

13



1 pc



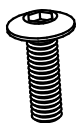
STEP 4

1

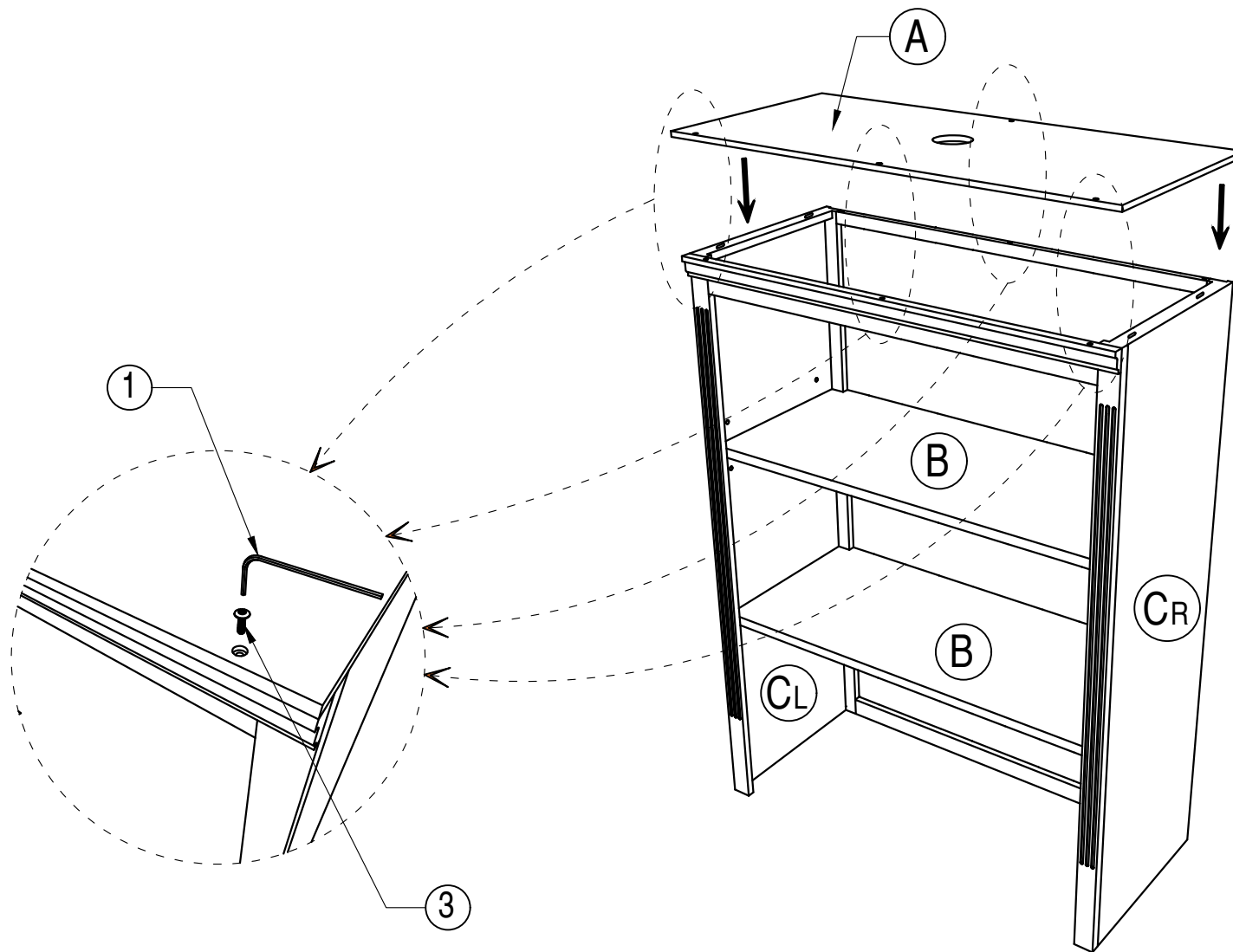


1 pc

3



6x30mm
4 pcs



STEP 5

1



1 pc

3

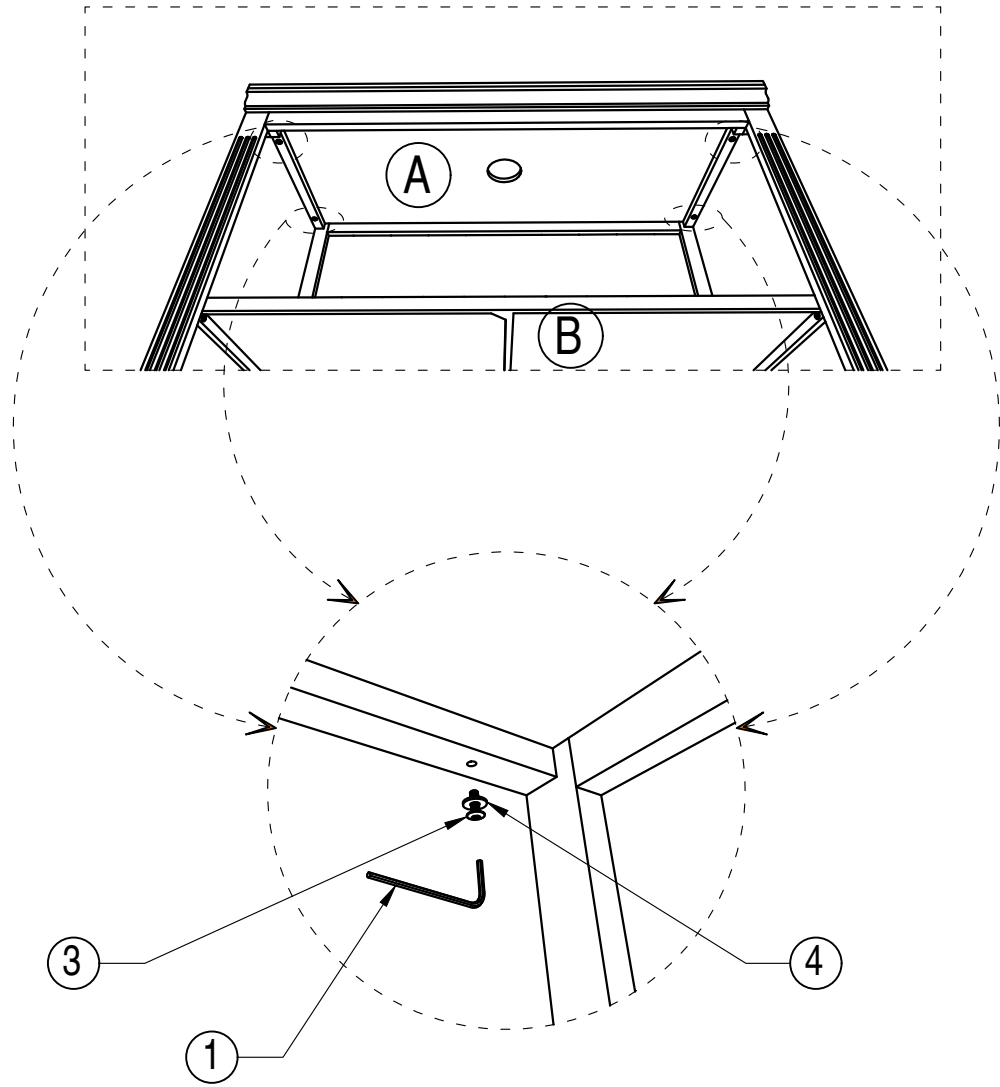


6x30mm
4 pcs

4



6x16mm
4 pcs



STEP 6

9

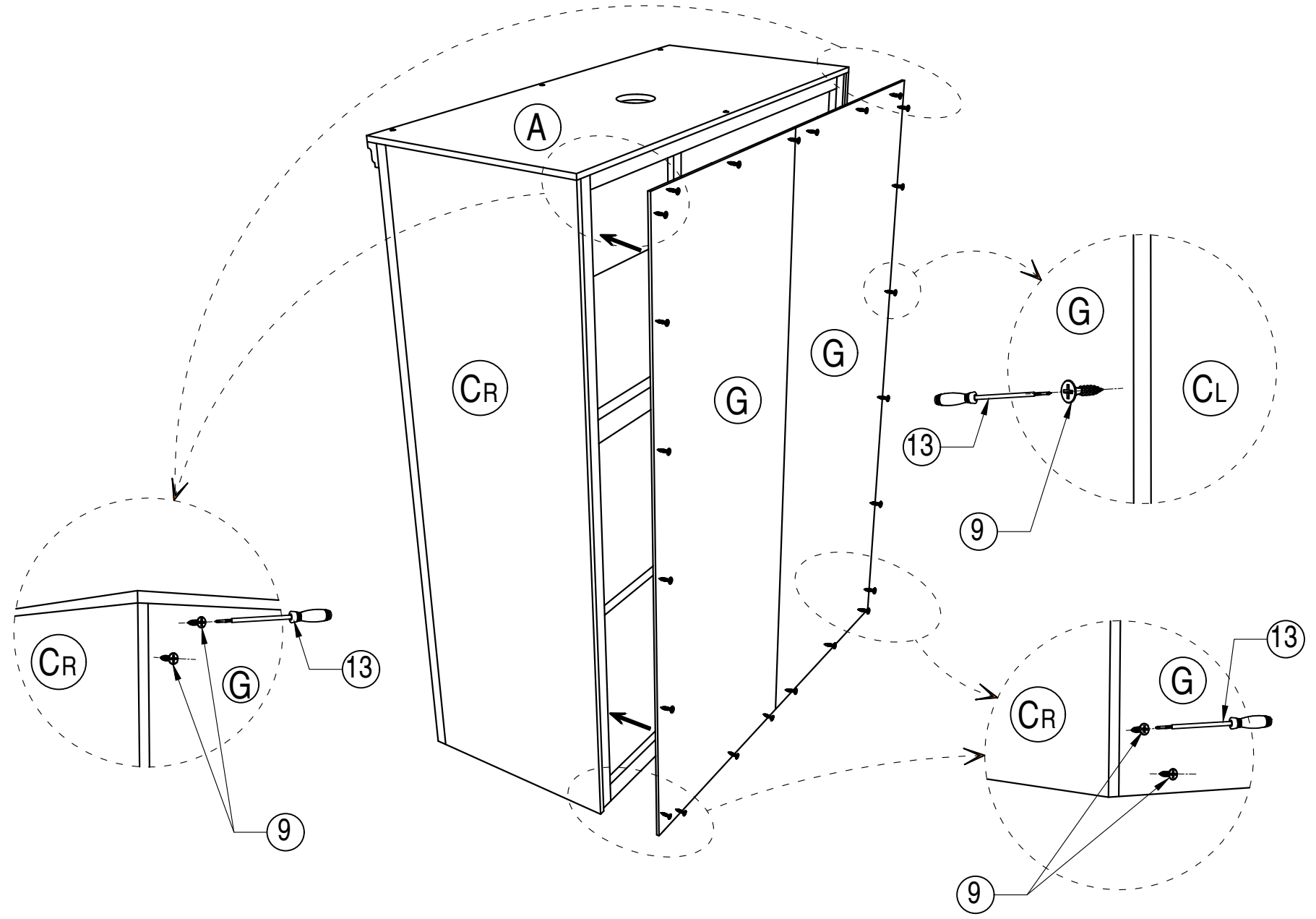


3x15mm
24 pcs

13



1 pc

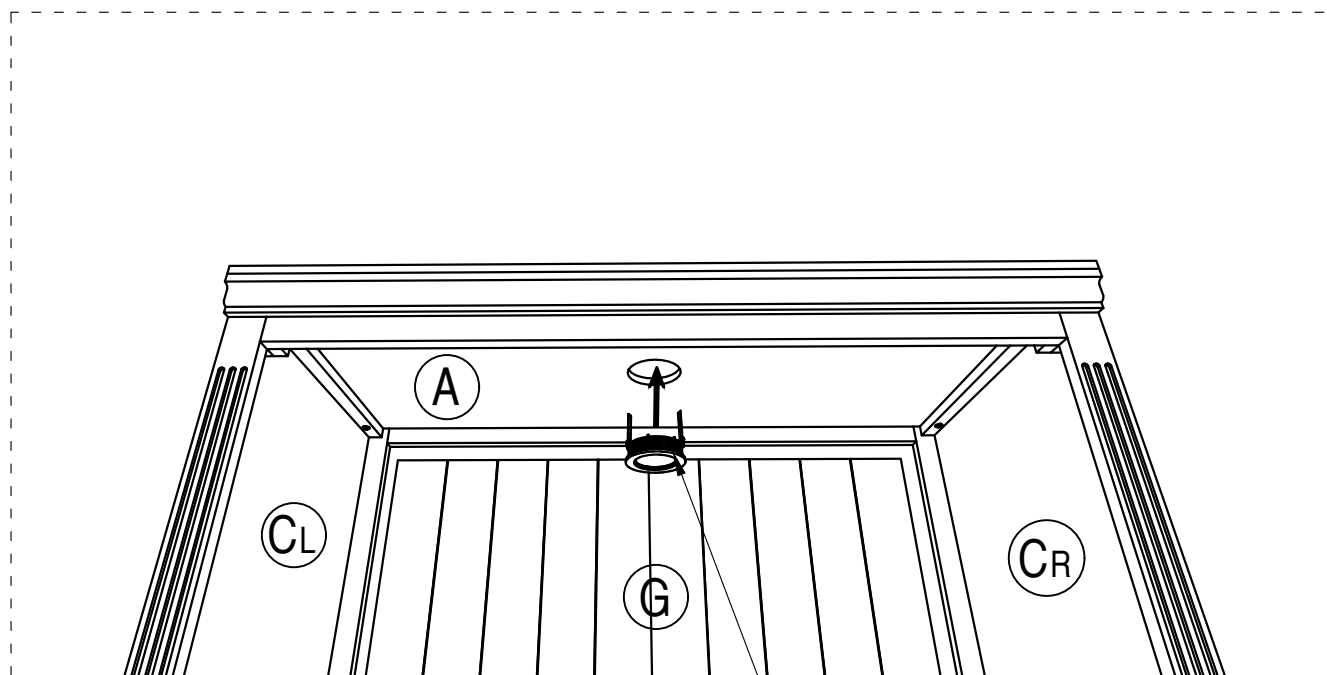


12

STEP 7



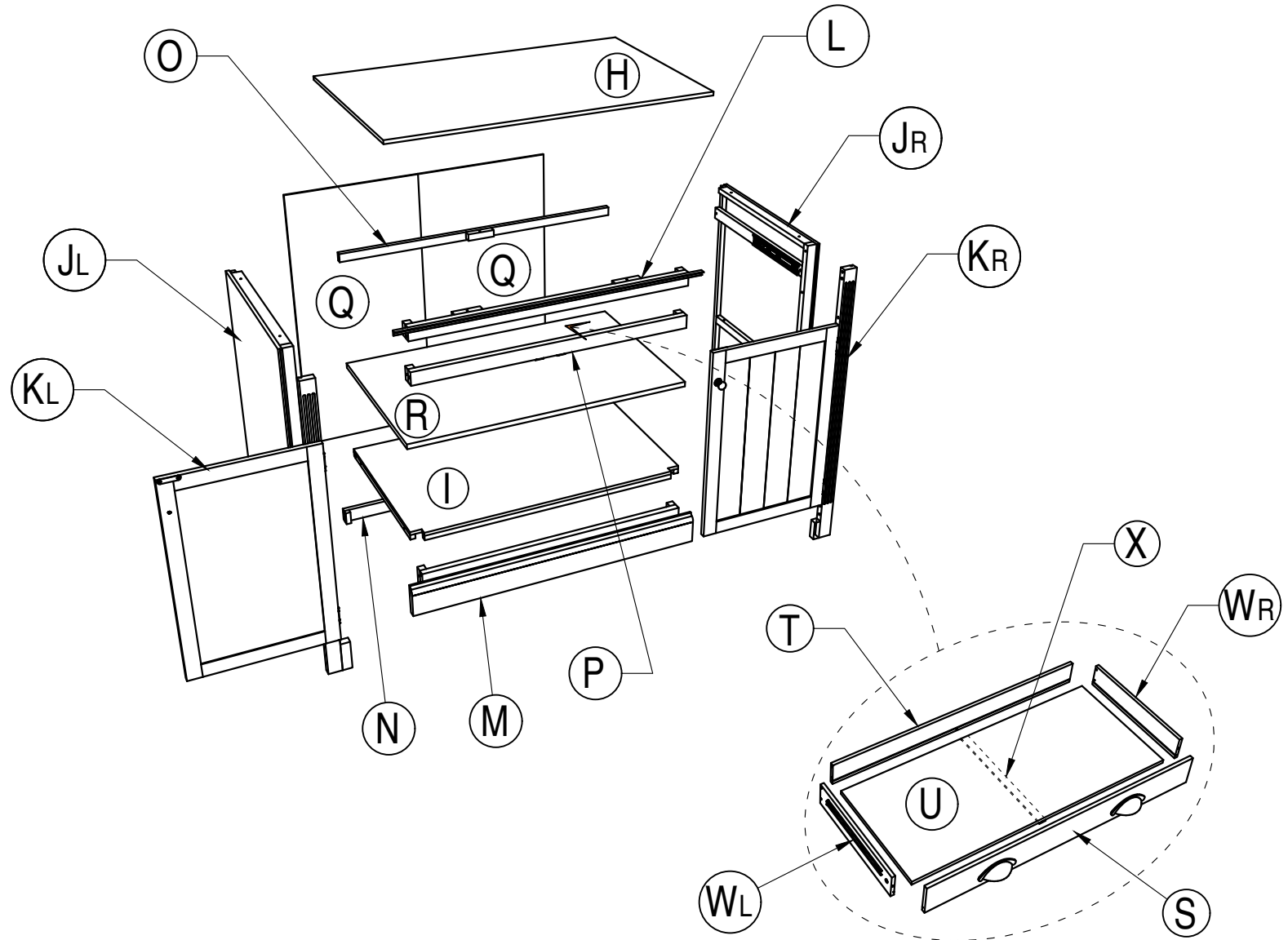
1 pc



12

COMPONENTS - KEY DIAGRAM

WF313026



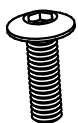
STEP 8

1



1 pc

3

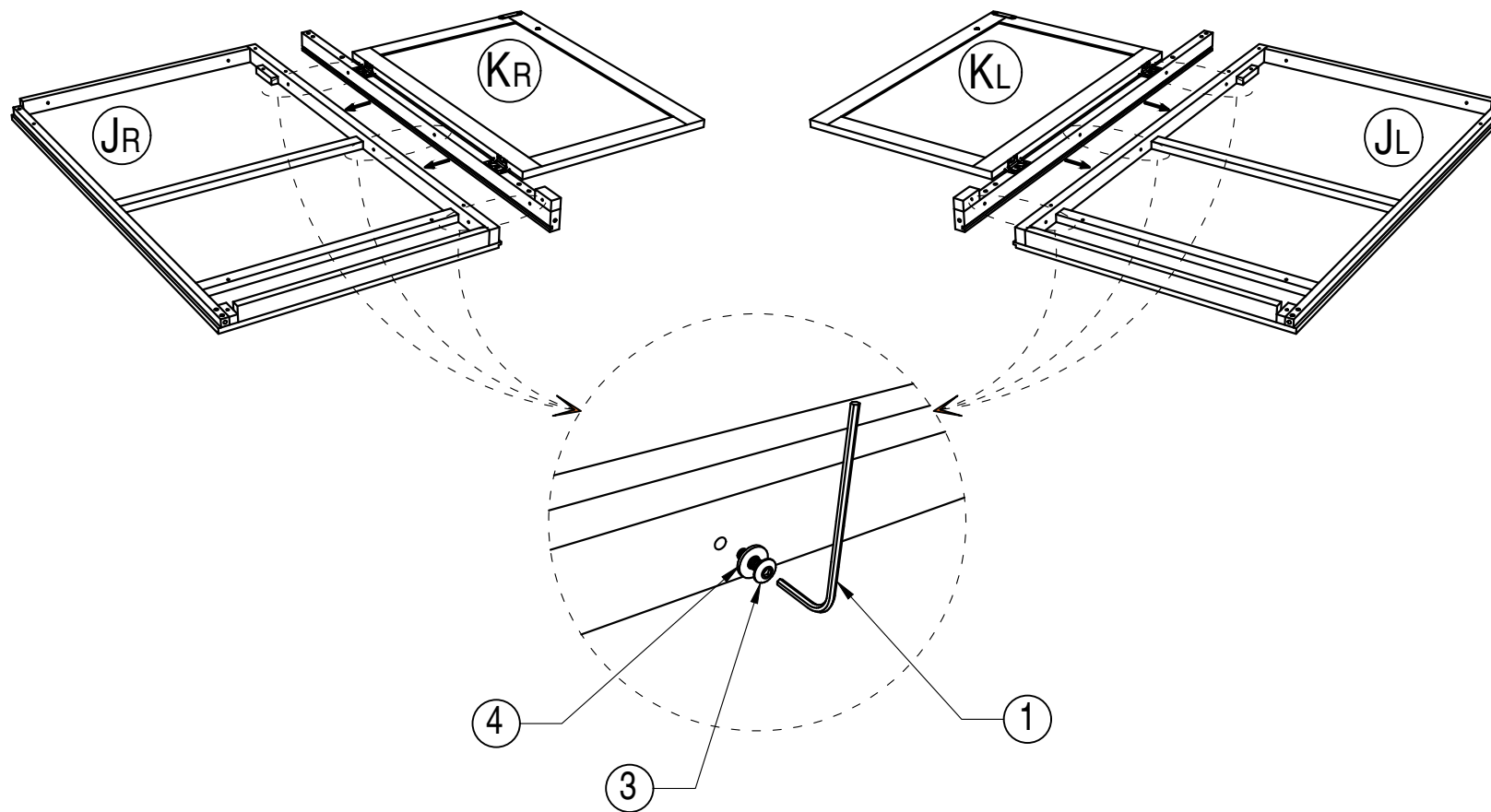


6x30mm
6 pcs

4



6x16mm
6 pcs



STEP 9

1



1 pc

3



6x30mm
5 pcs

4



6x16mm
4 pcs

7



8x30mm
6 pcs

8

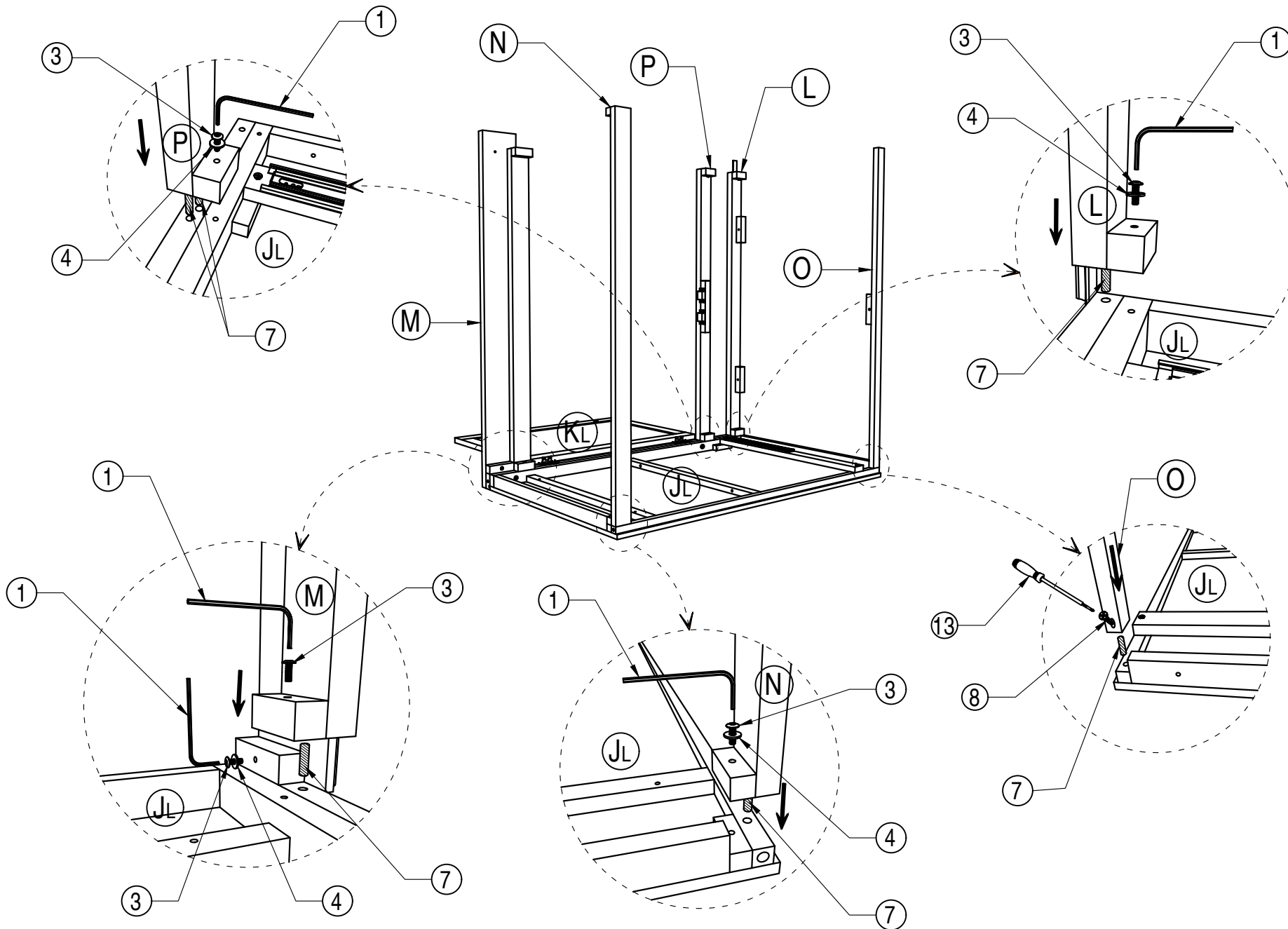


5x30mm
1 pc

13



1 pc



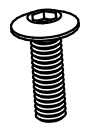
STEP 10

1



1 pc

3

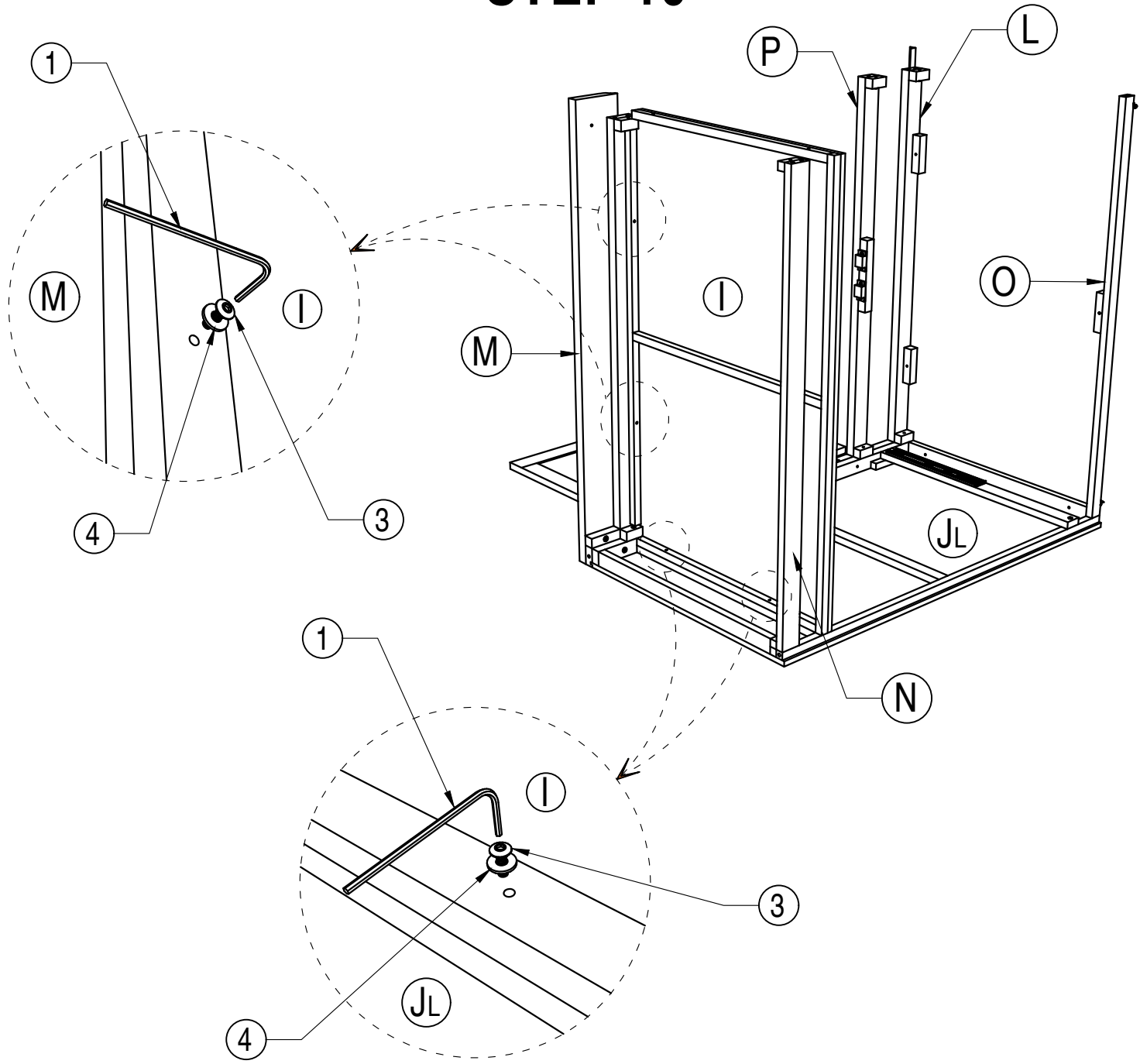


6x30mm
4 pcs

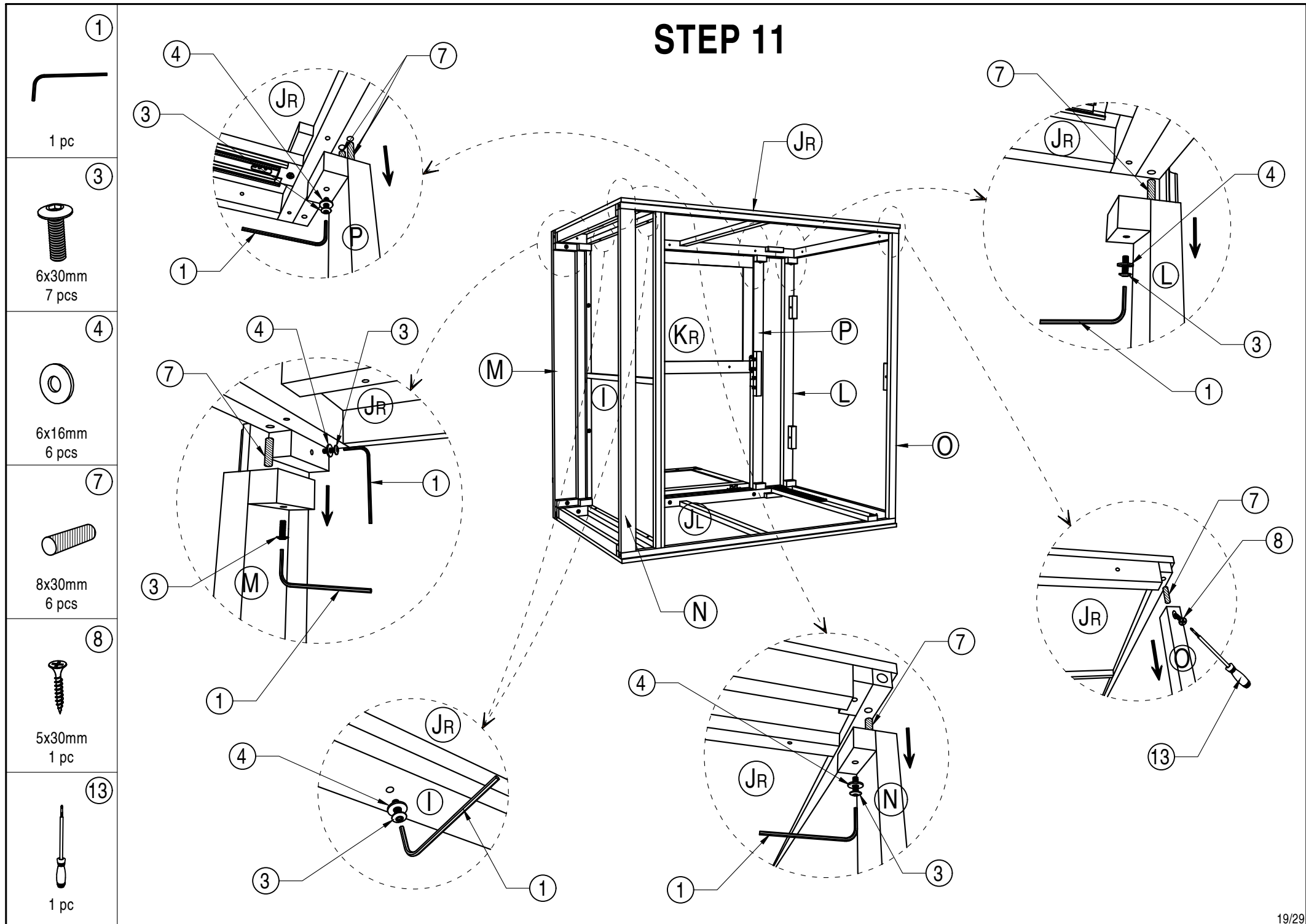
4



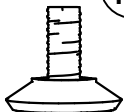
6x16mm
4 pcs



STEP 11

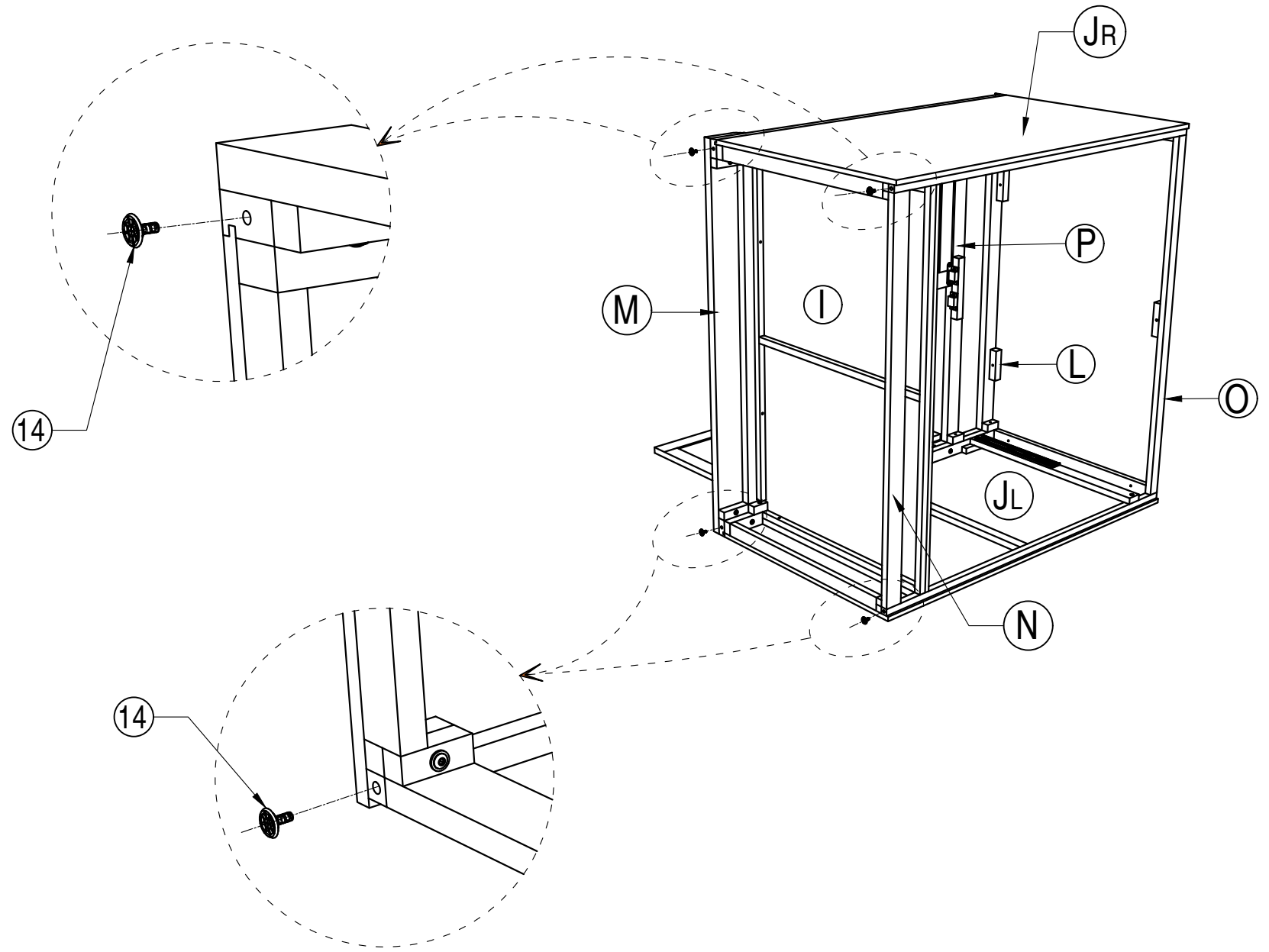


STEP 12



14

15x20mm
4 pcs



STEP 13

1



1 pc

3



6x30mm
7 pcs

4



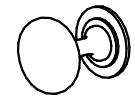
6x16mm
7 pcs

5

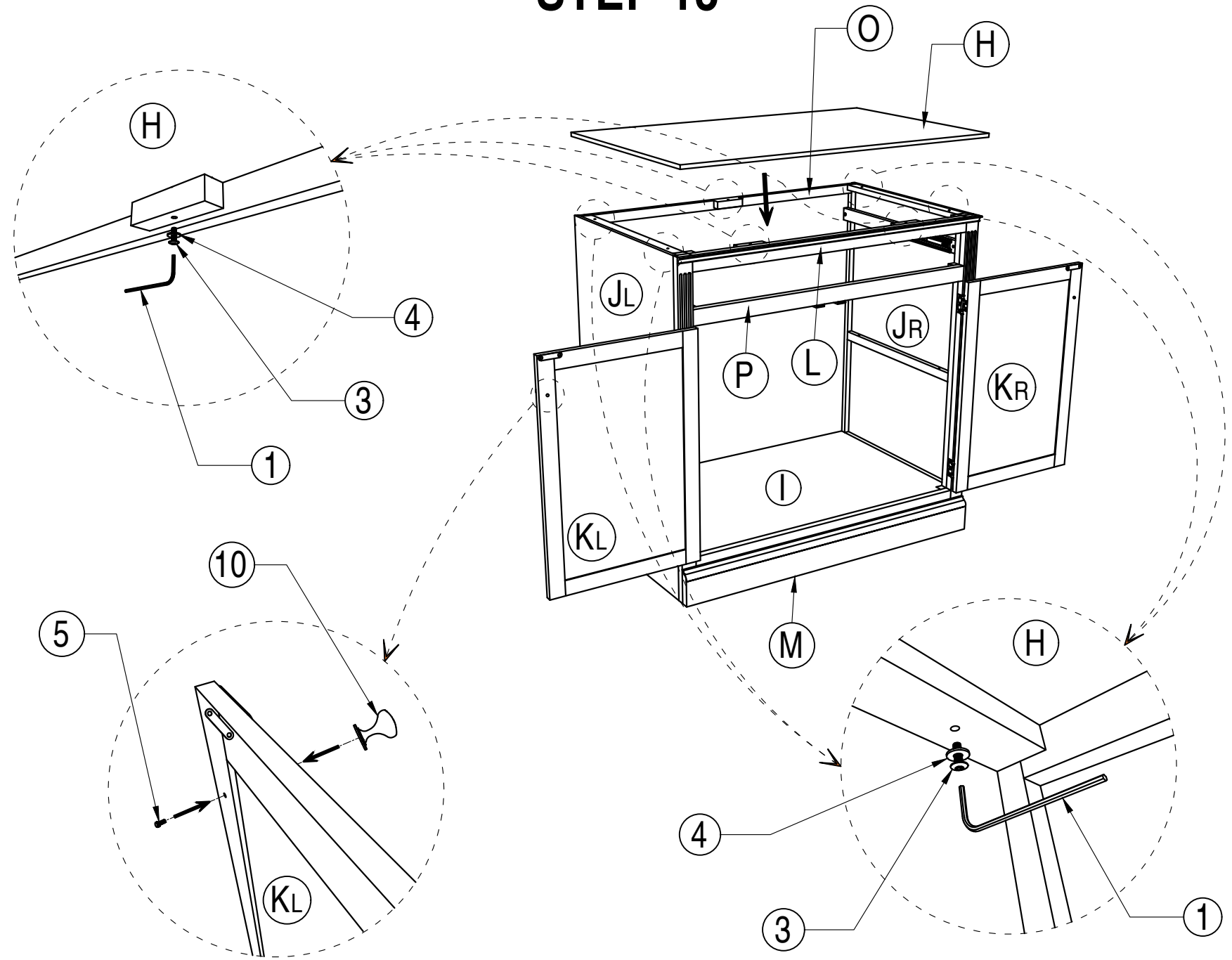


5x30mm
2 pcs

10



2 pcs



STEP 14

8

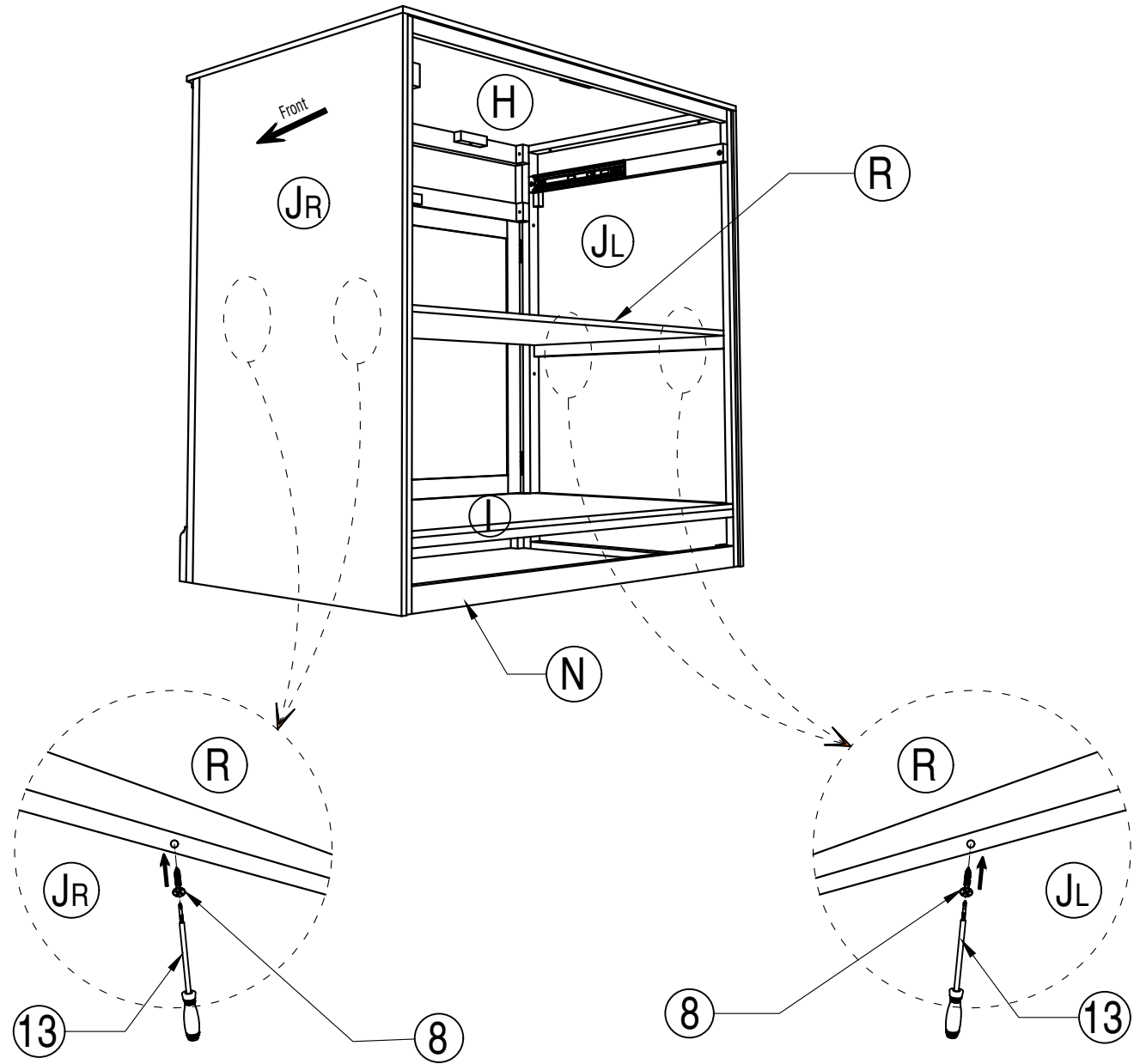


5x30mm
4 pcs

13



1 pc



STEP 15

2

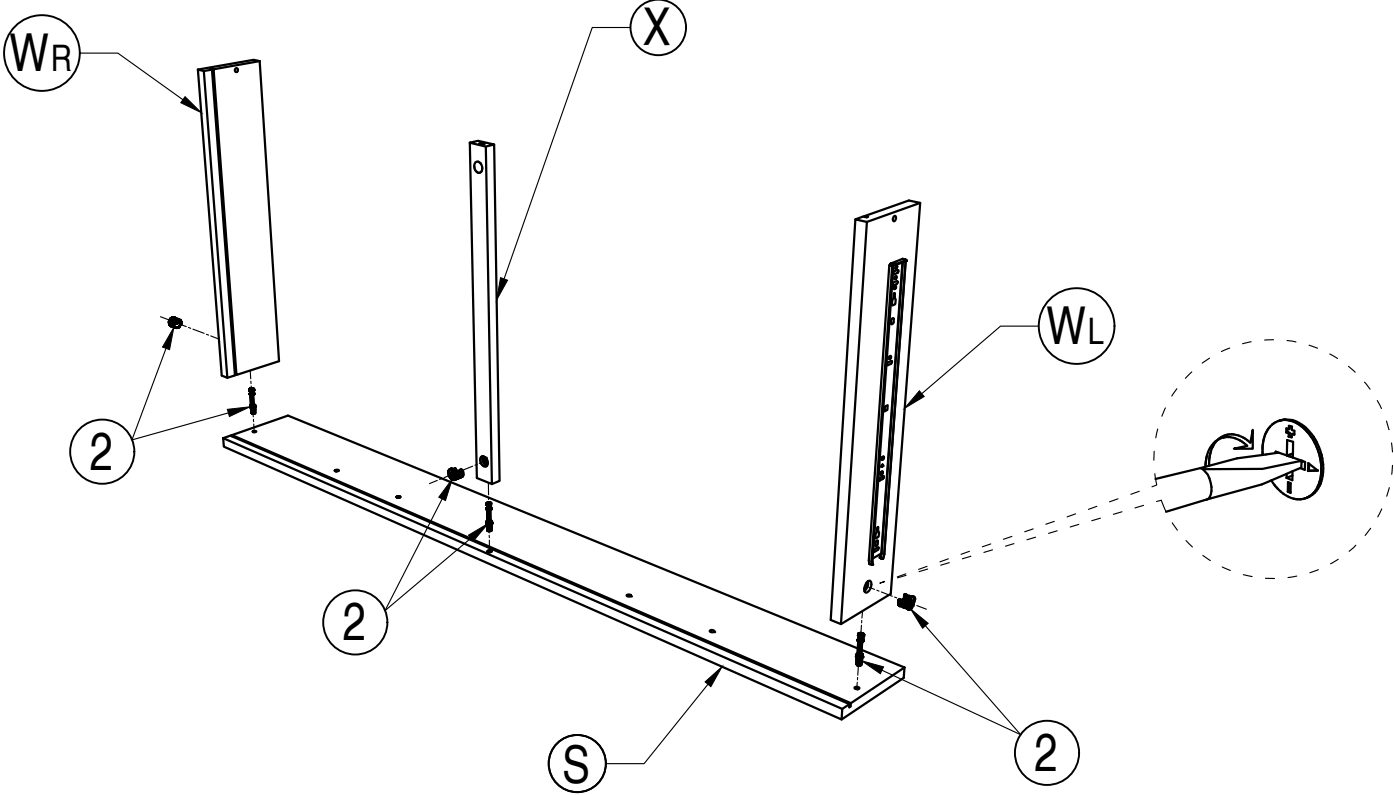


3 pcs

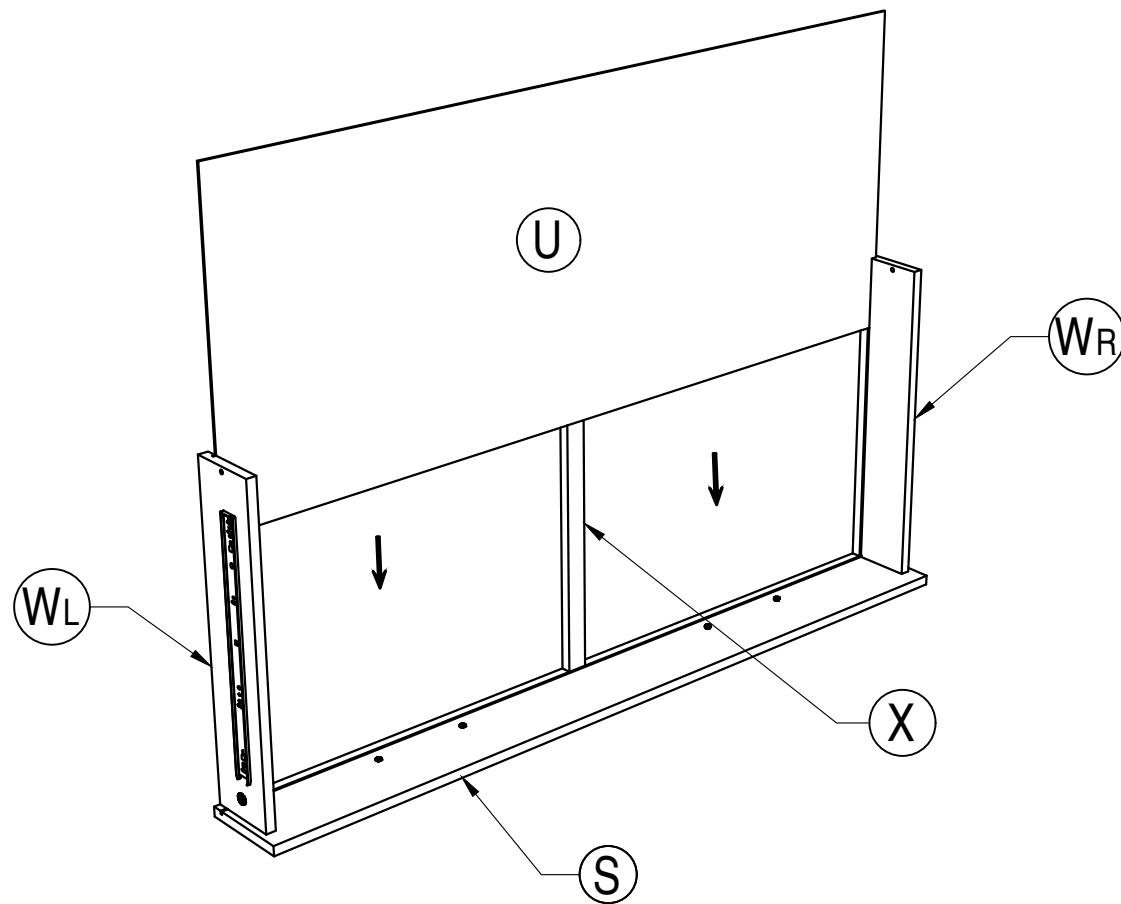
13



1 pc



STEP 16



STEP 17

2



1 pc

8

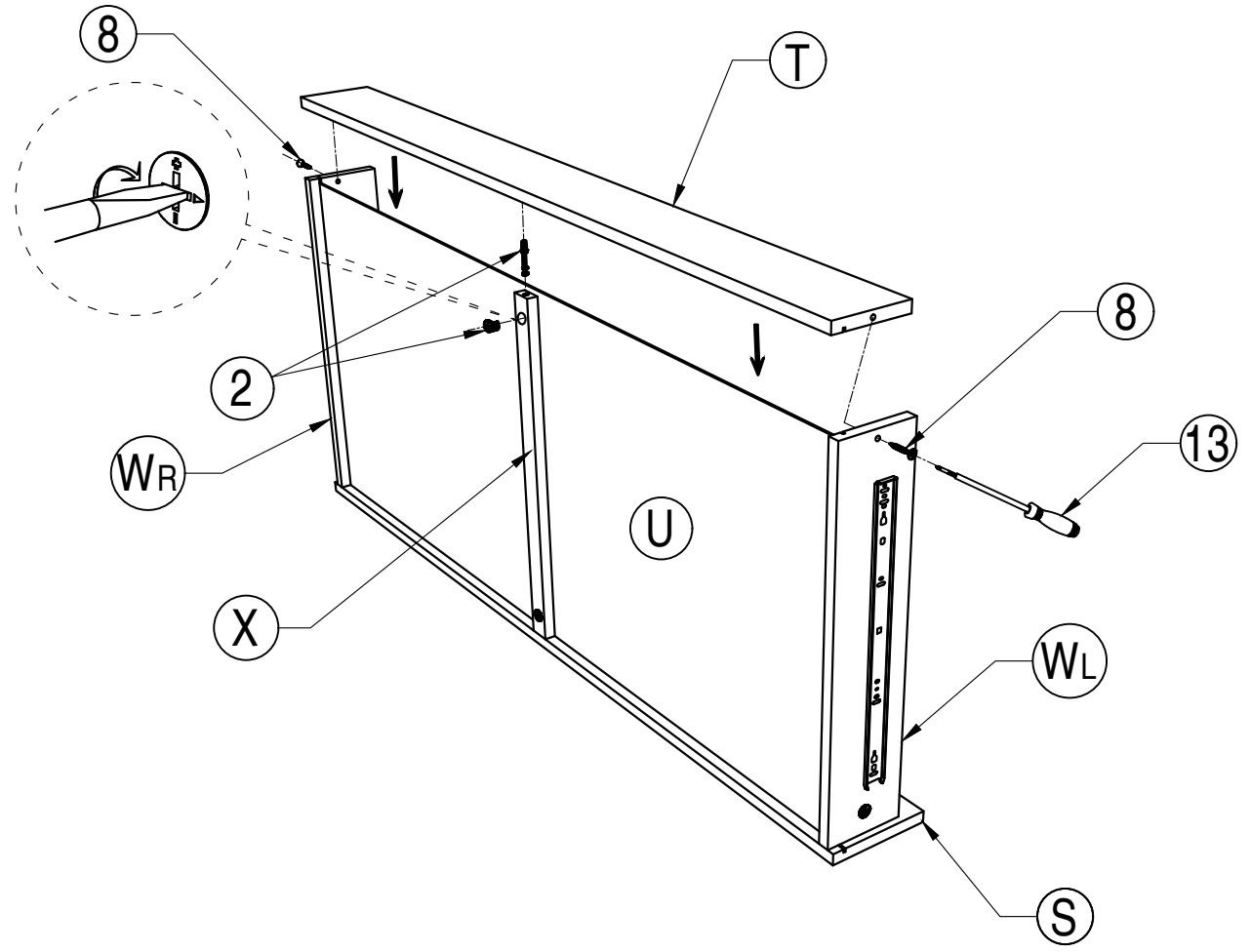


5x30mm
2 pcs

13



1 pc



6



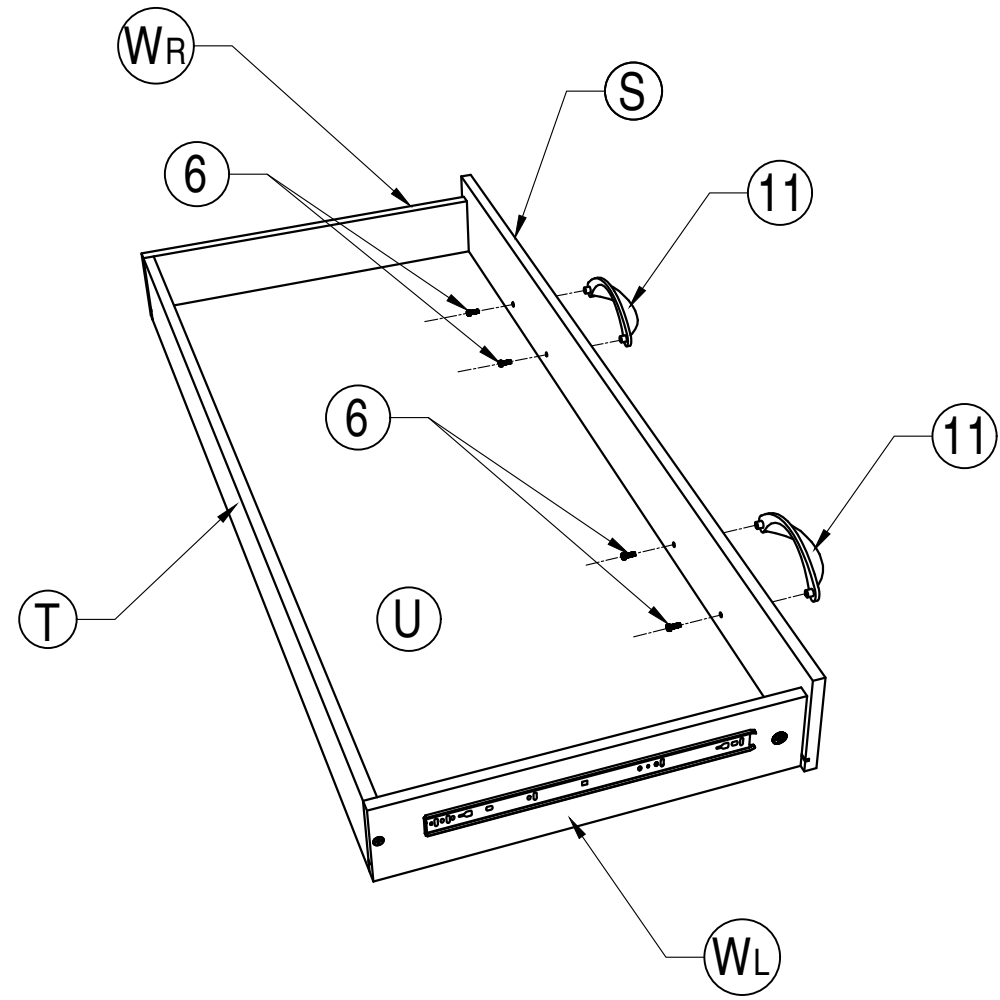
5x15mm
4 pcs

11

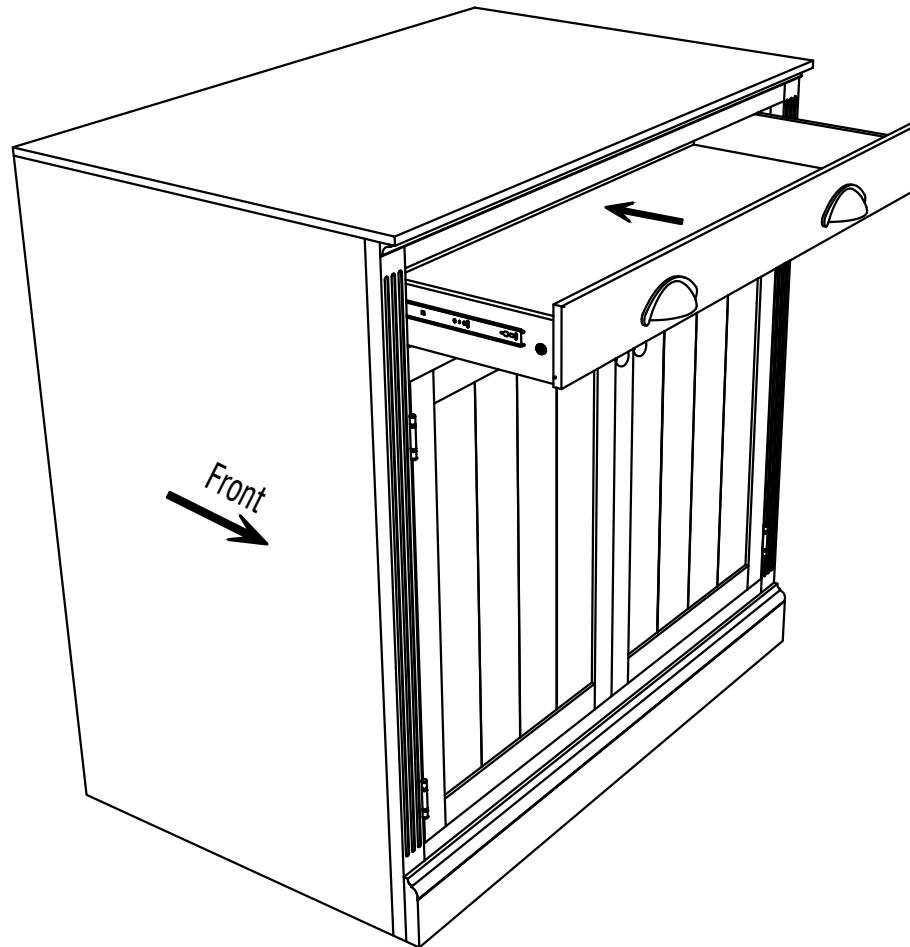


Quantity:
2 pcs

STEP 18



STEP 19



STEP 20

9

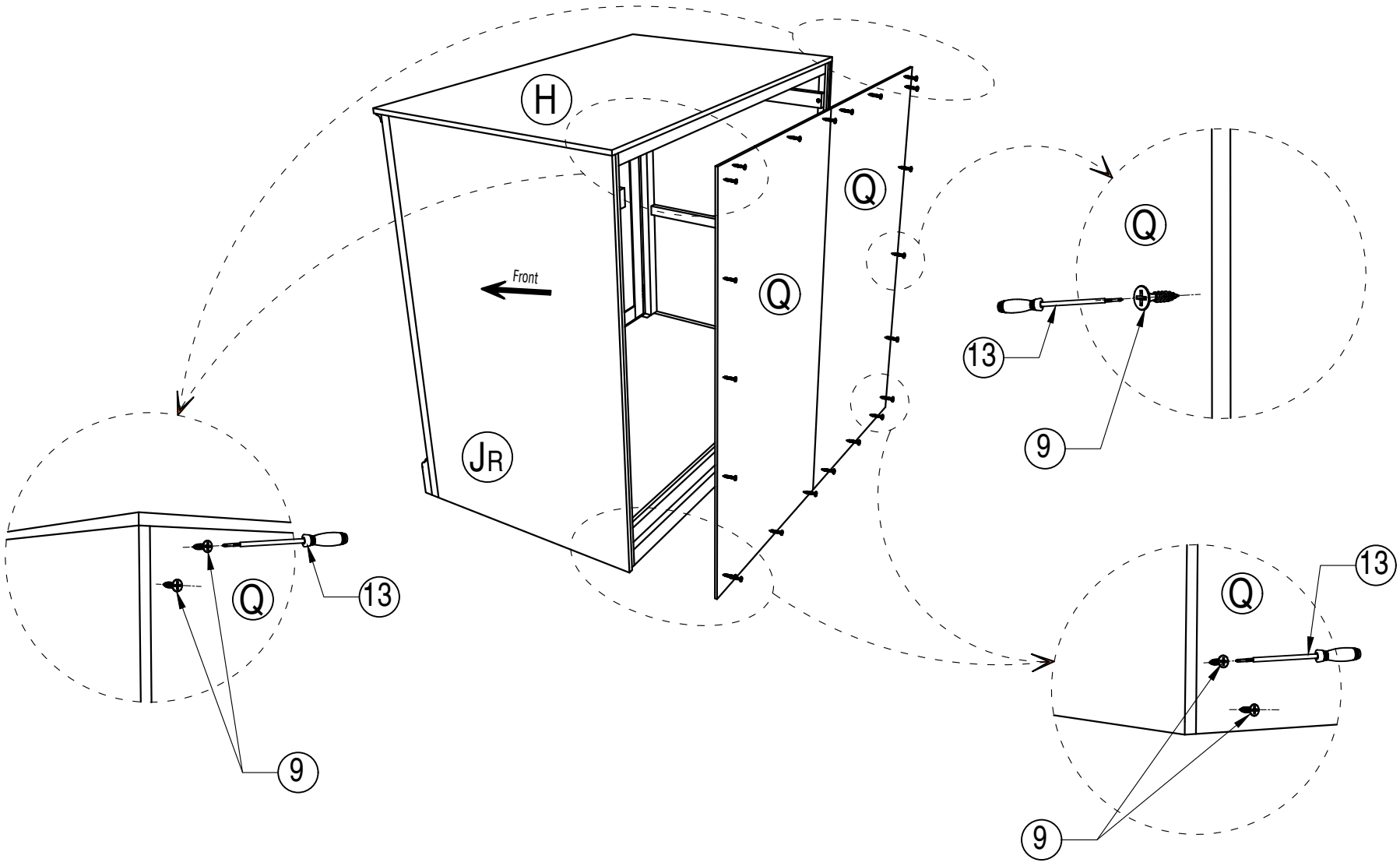


3x15mm
22 pcs

13



1 pc



STEP 21

15



20x80mm
2 pcs

16



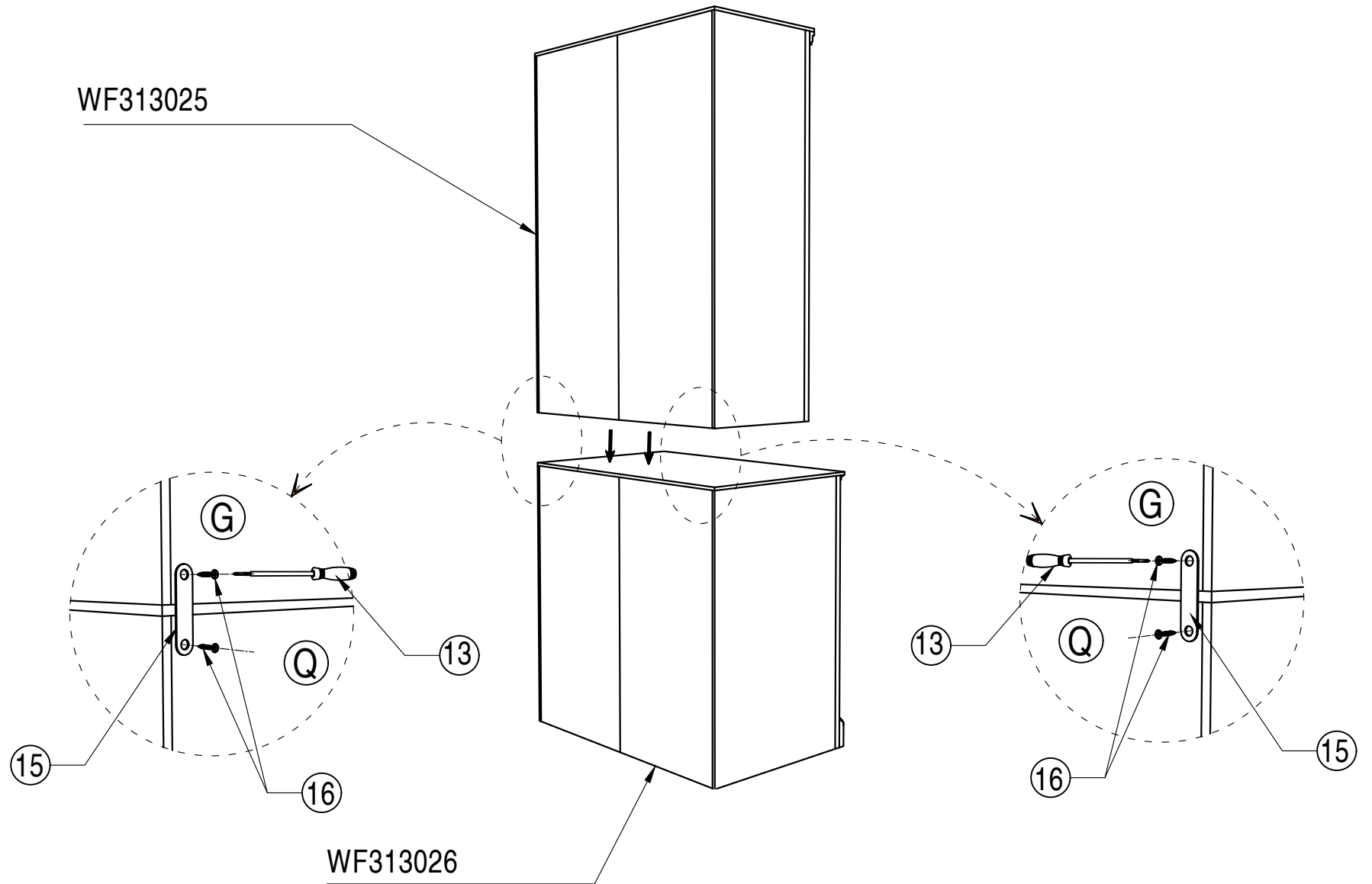
4x20mm
4 pcs

13



1 pc

WF313025



WF313026