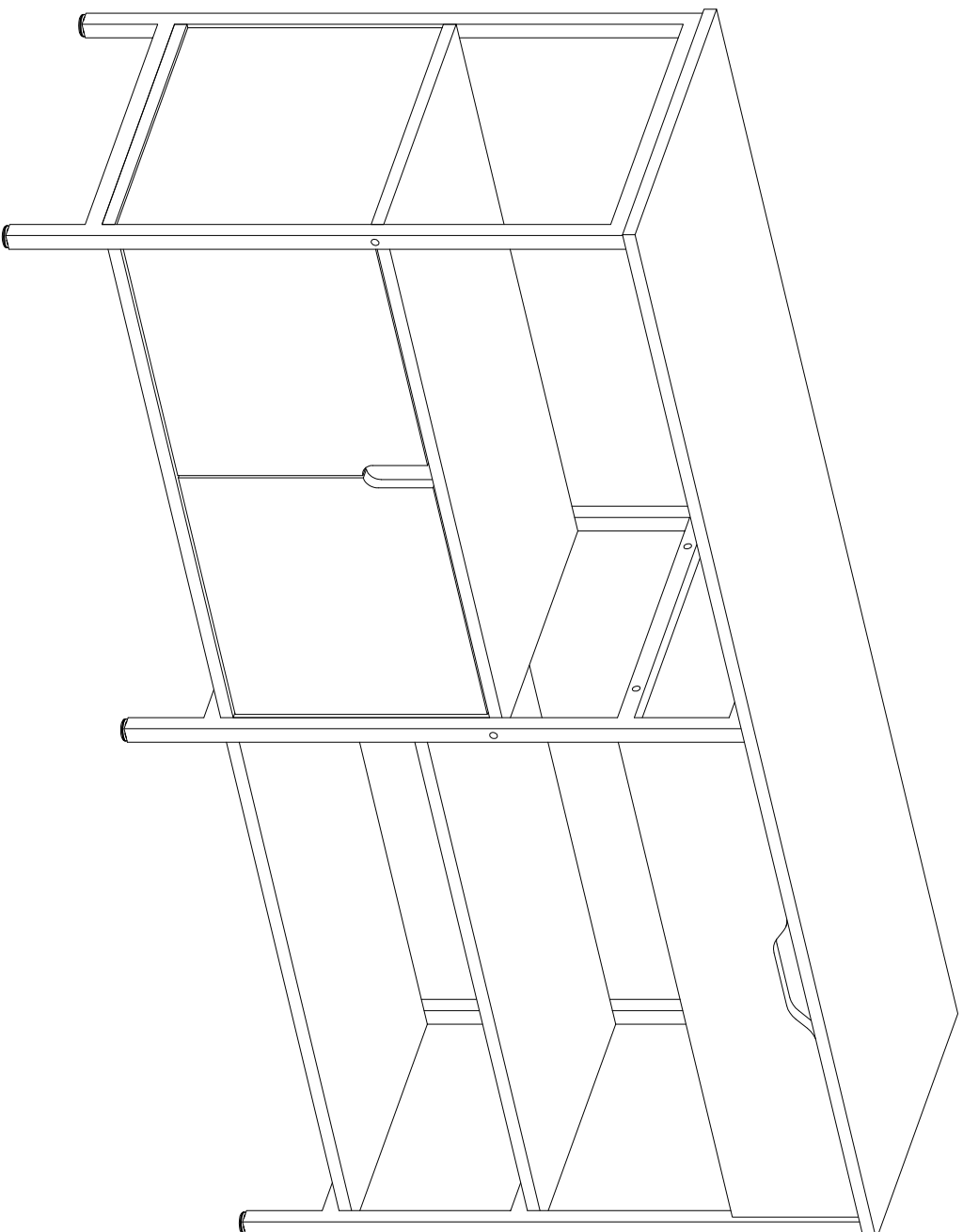
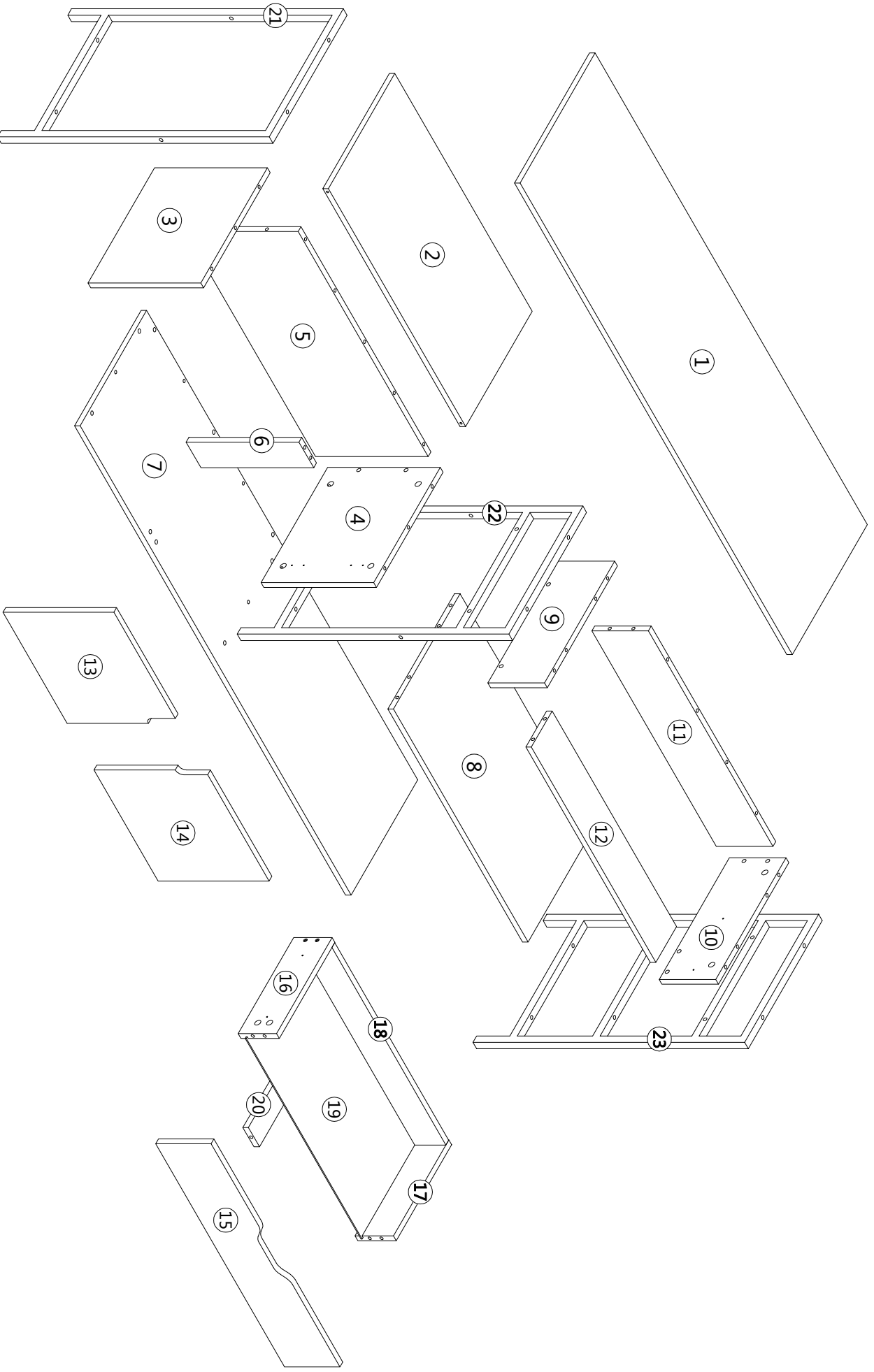


HCH-SC001A/002A

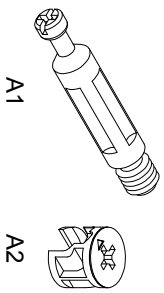


Parts List

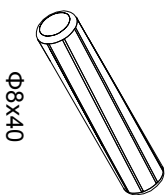


Hardware

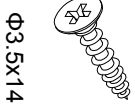
A x 43sets



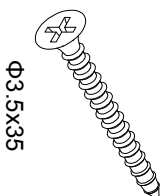
B x 16pcs



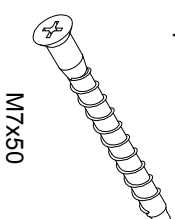
C x 32pcs



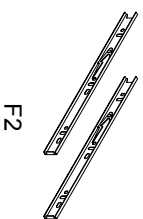
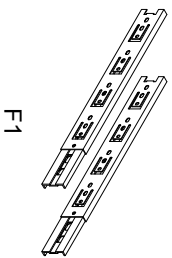
D x 5pcs



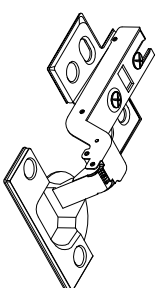
E x 4pcs



F x 1set



G x 4pcs

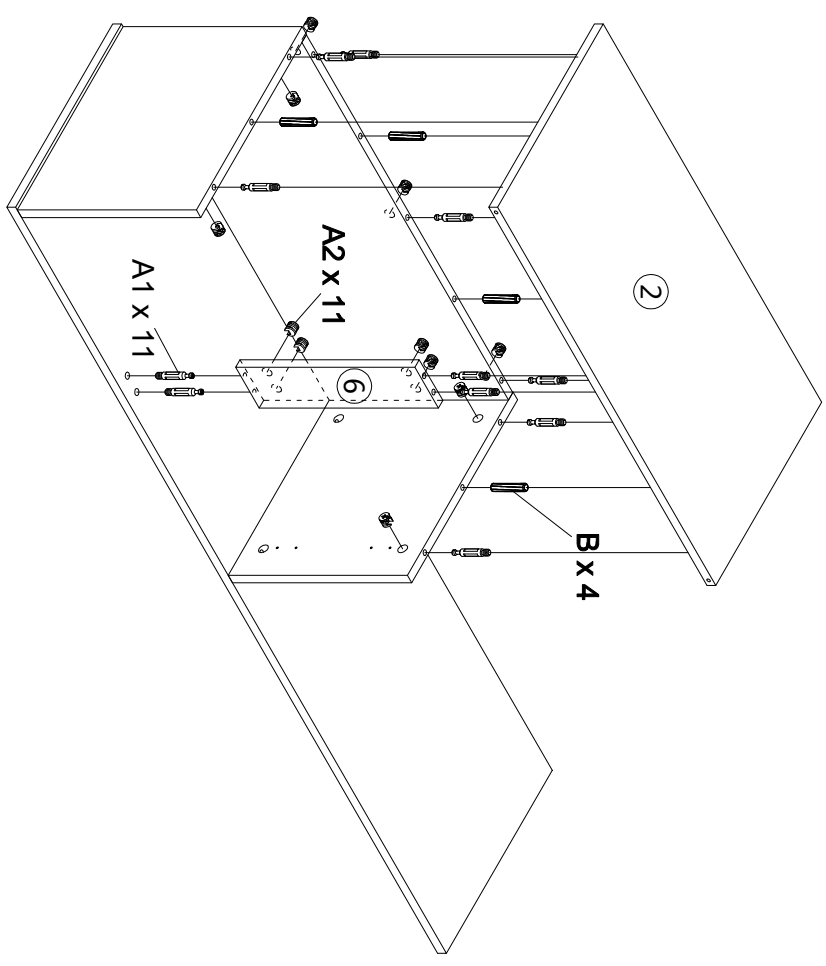
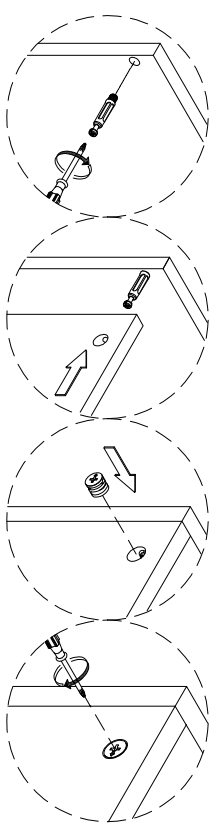
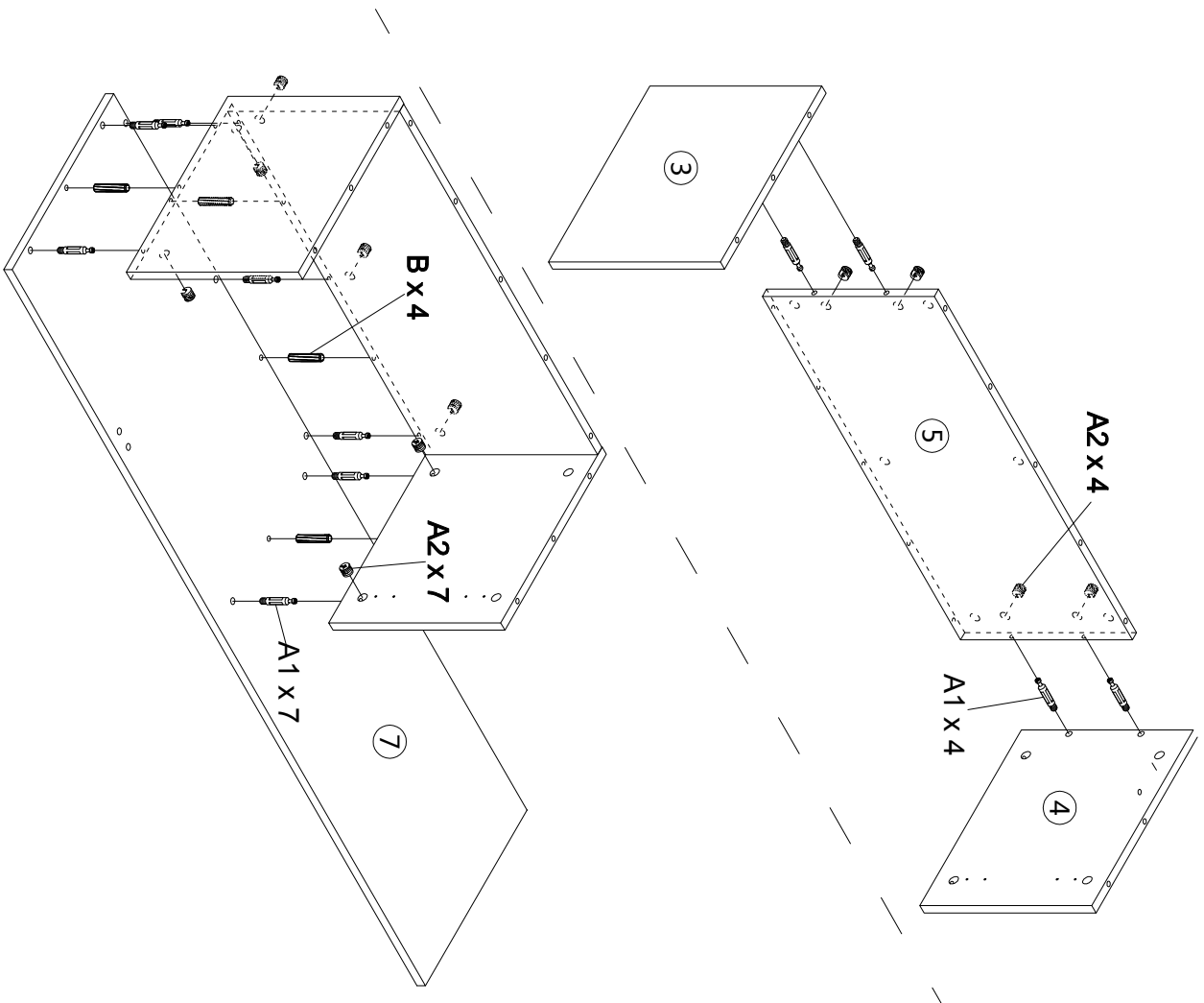


H x 18pcs



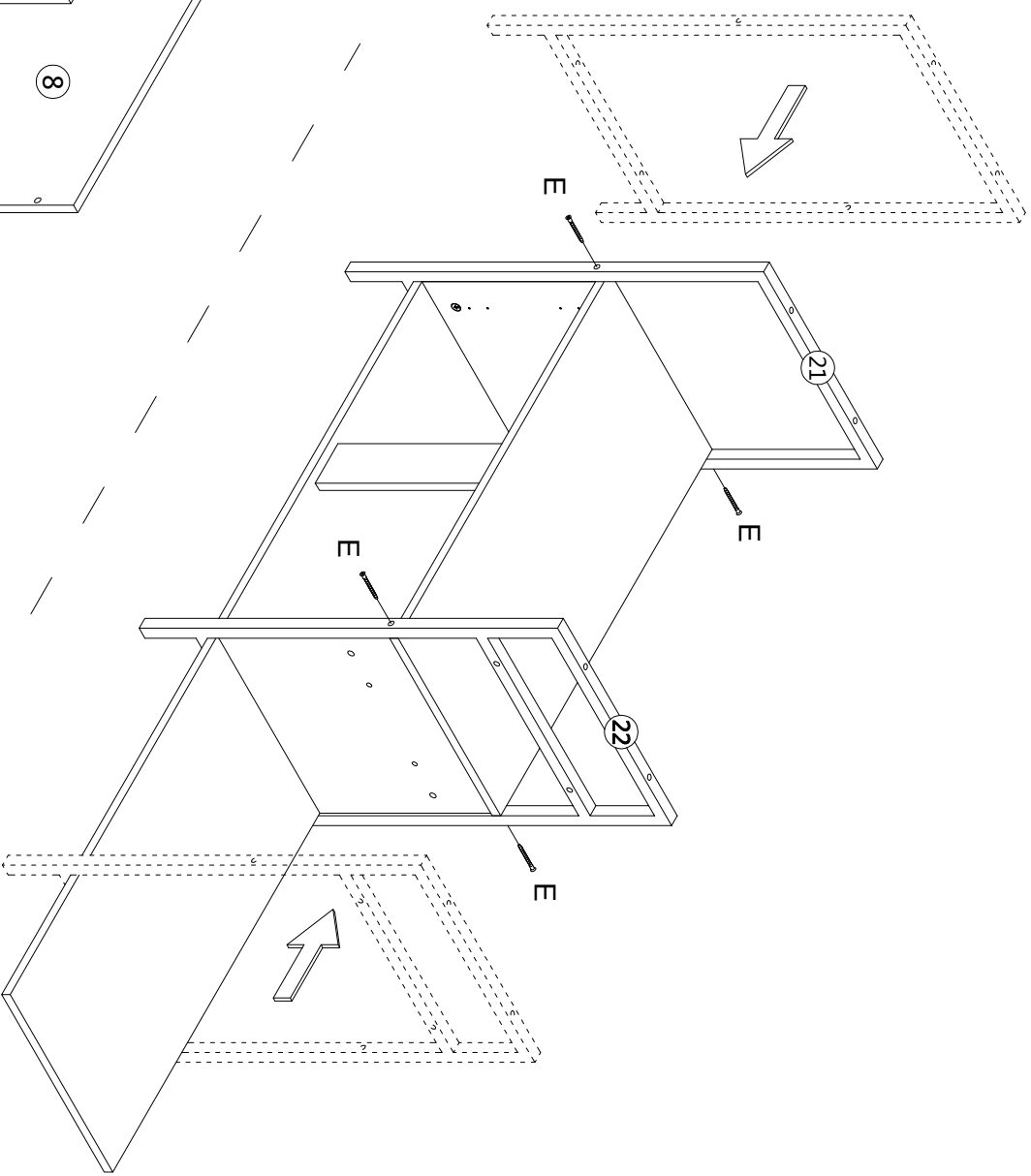
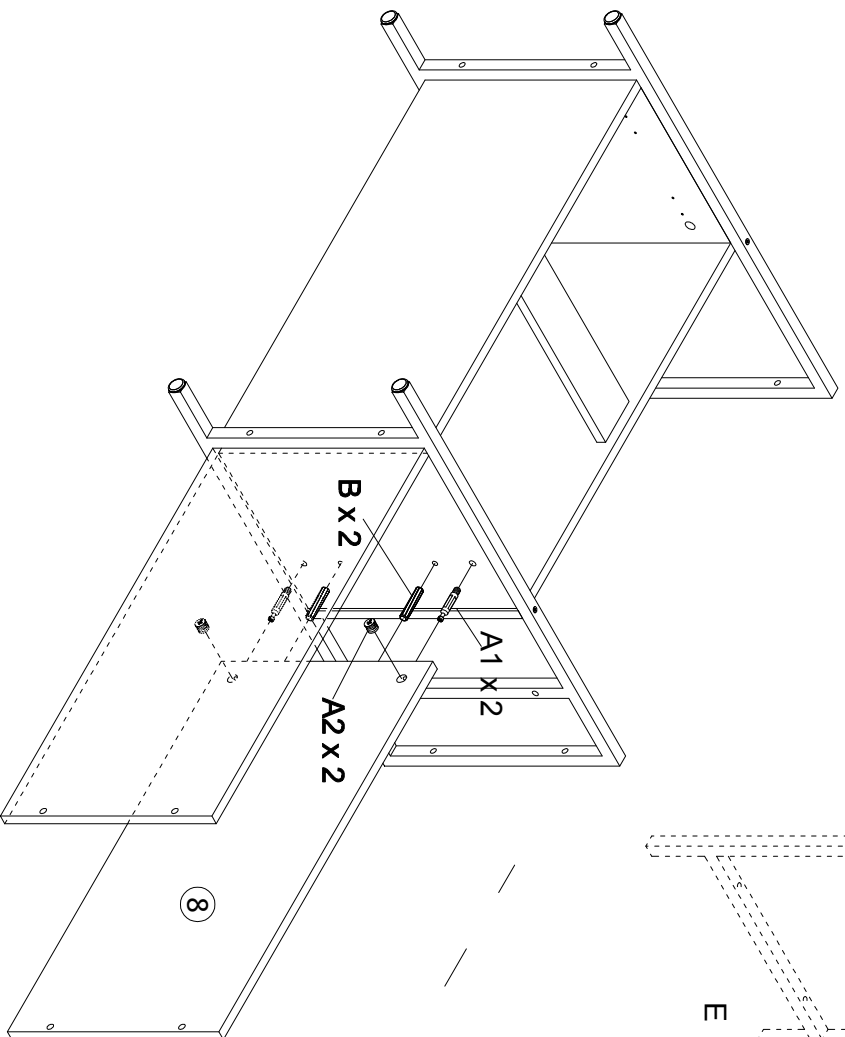
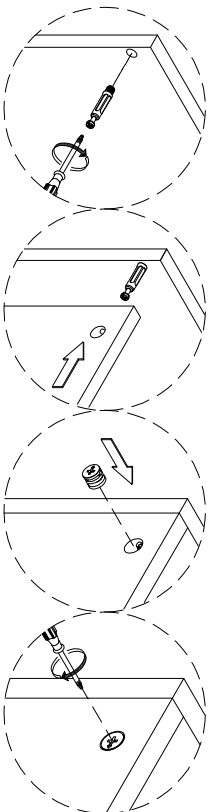
Step 1

A x 22 B x 8



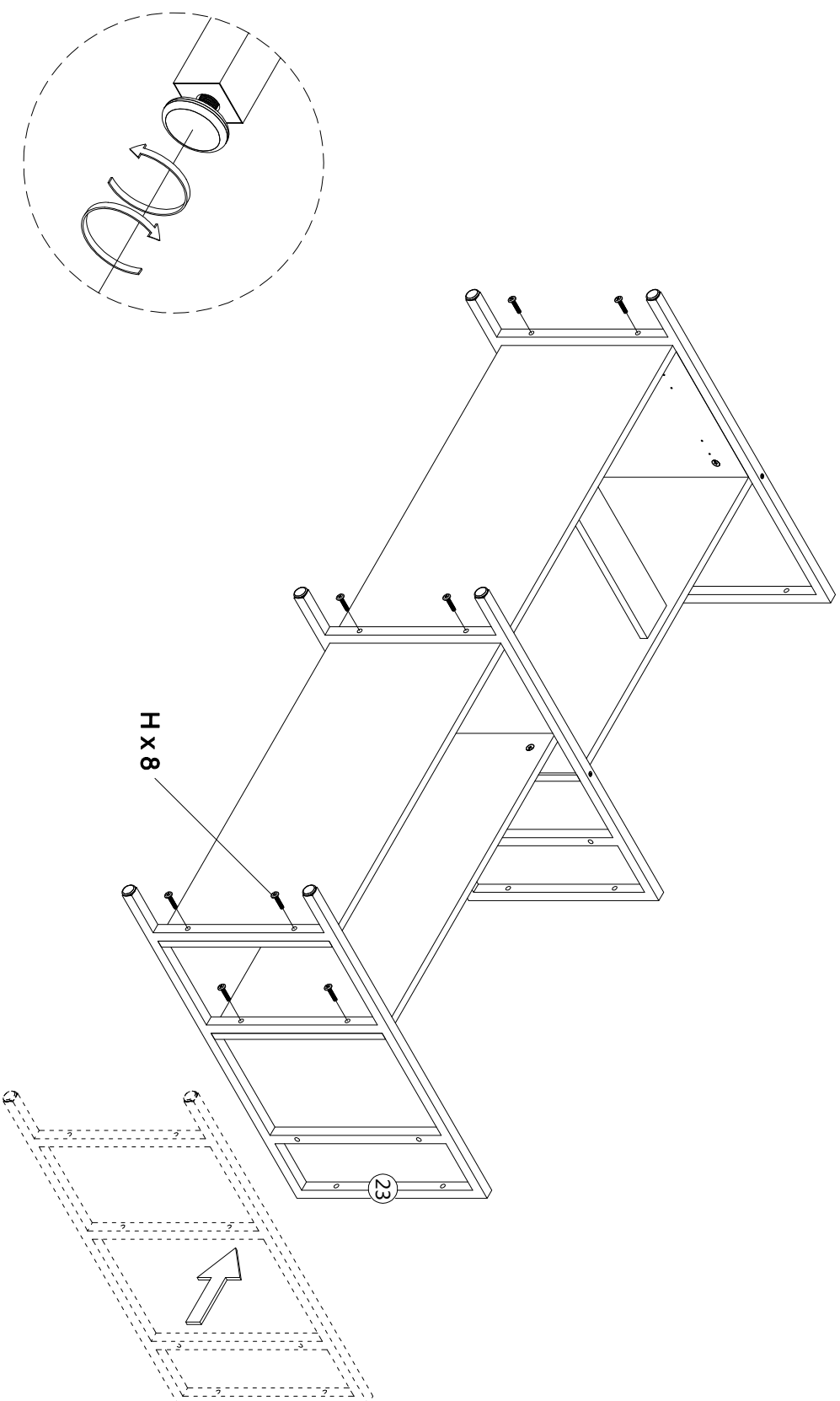
Step 2

A x 2 B x 2 E x 4



Step 3

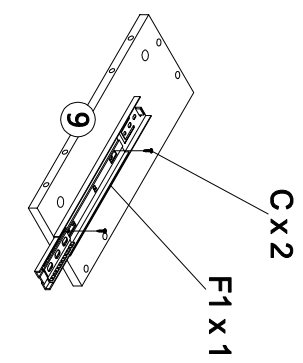
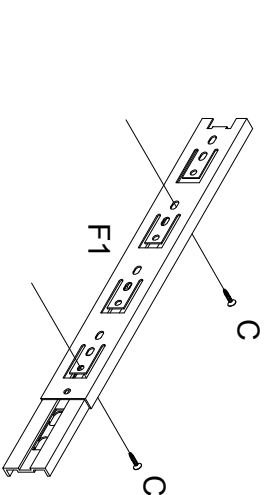
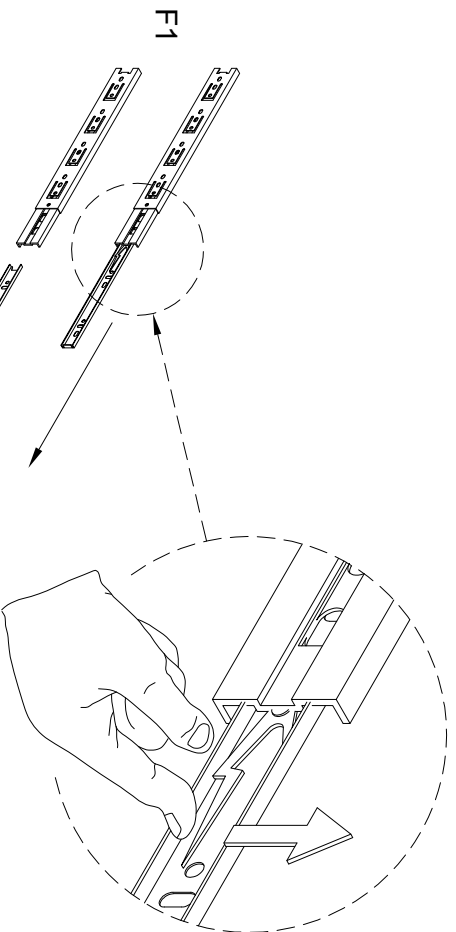
H x 8



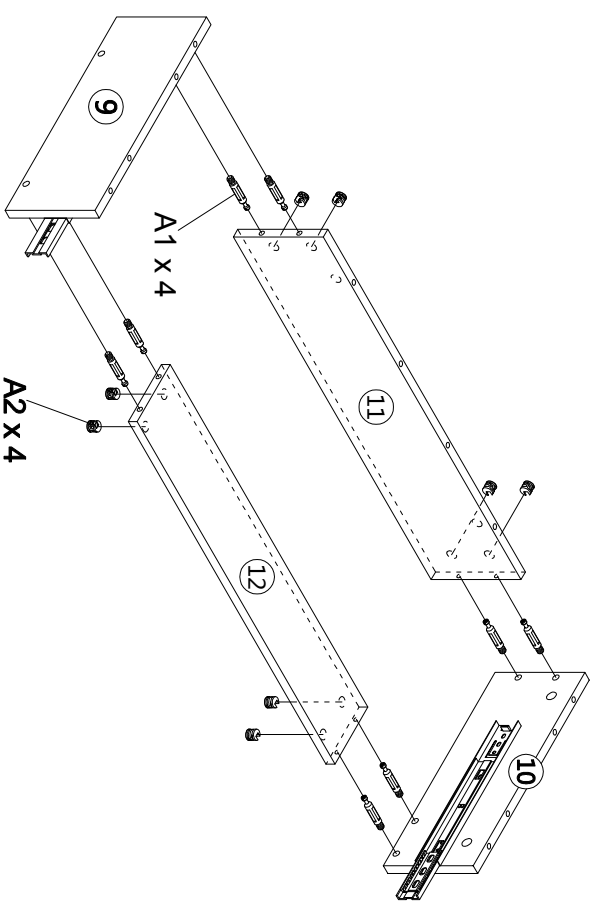
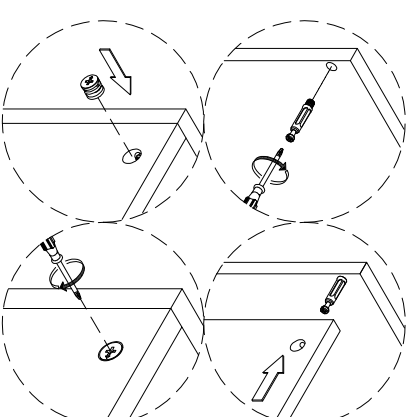
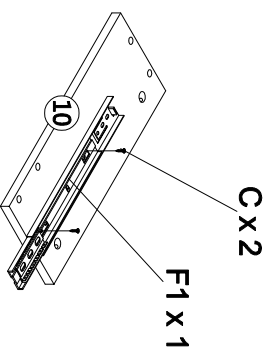
After installation, adjust here to make the cabinet more stable.

Step 4

A x 8 C x 4 F1 x 2

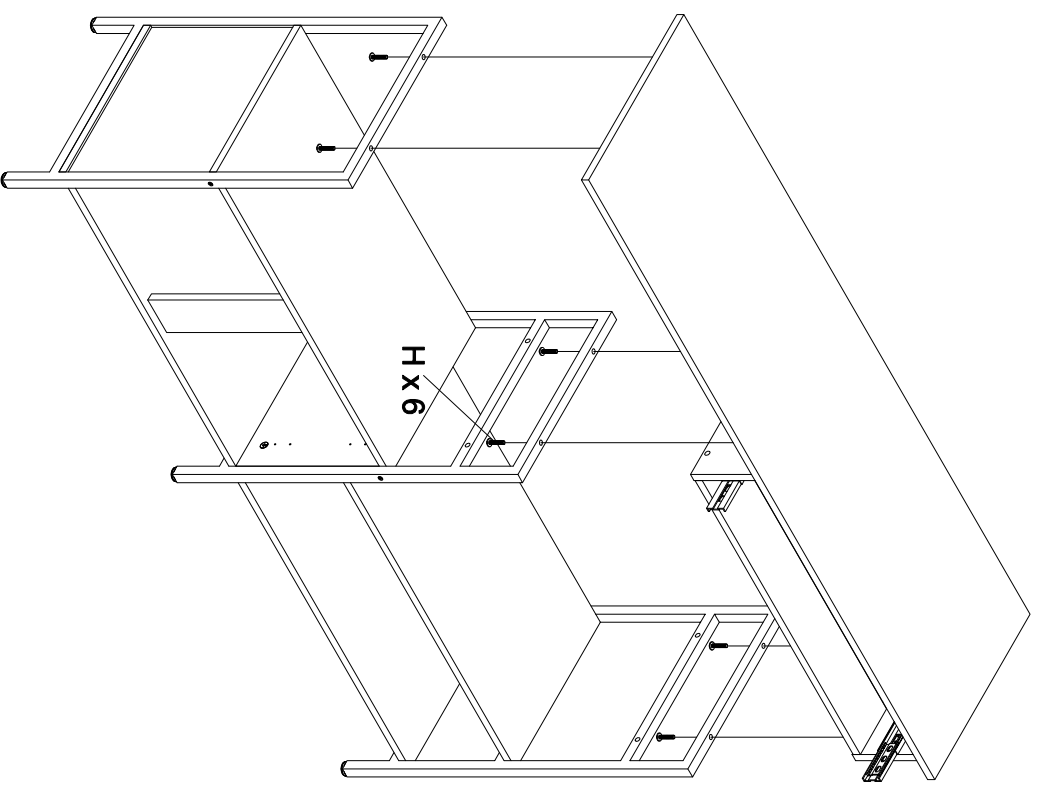
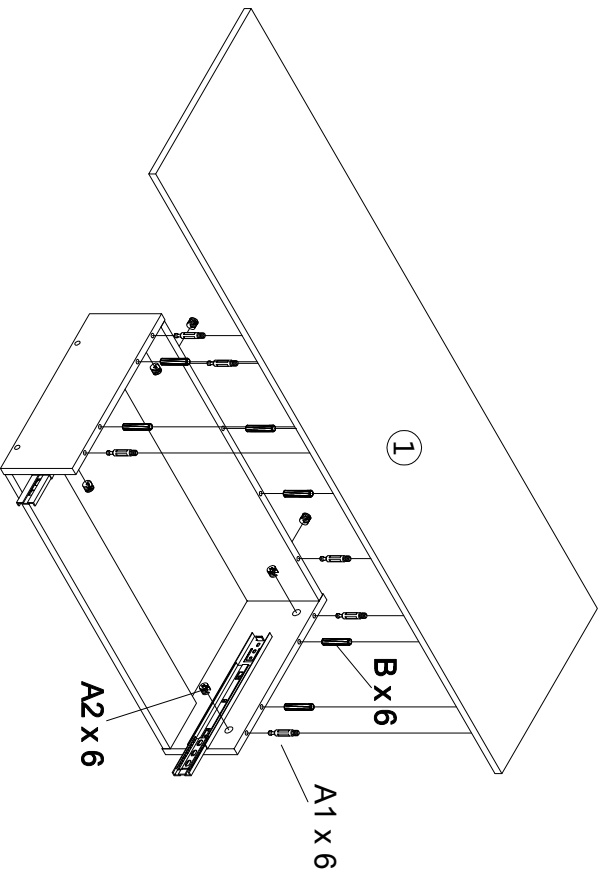
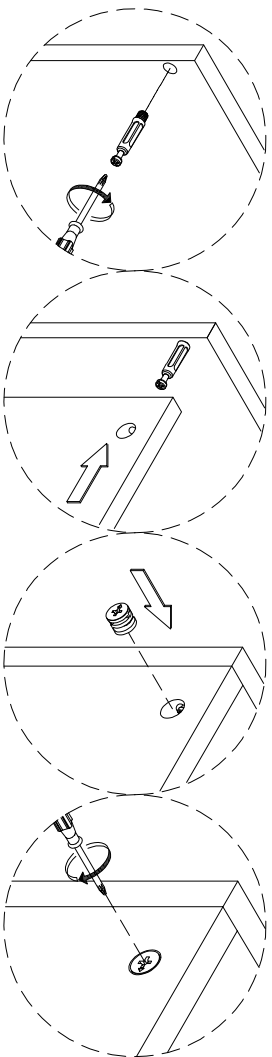


REMARK:
When installing, please make sure the screws are flattened, Not crooked. Otherwise the drawers will not be installed perfectly.



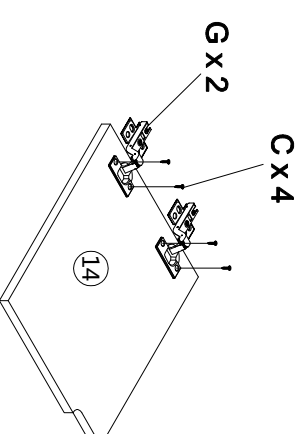
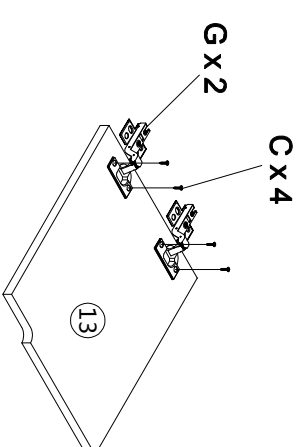
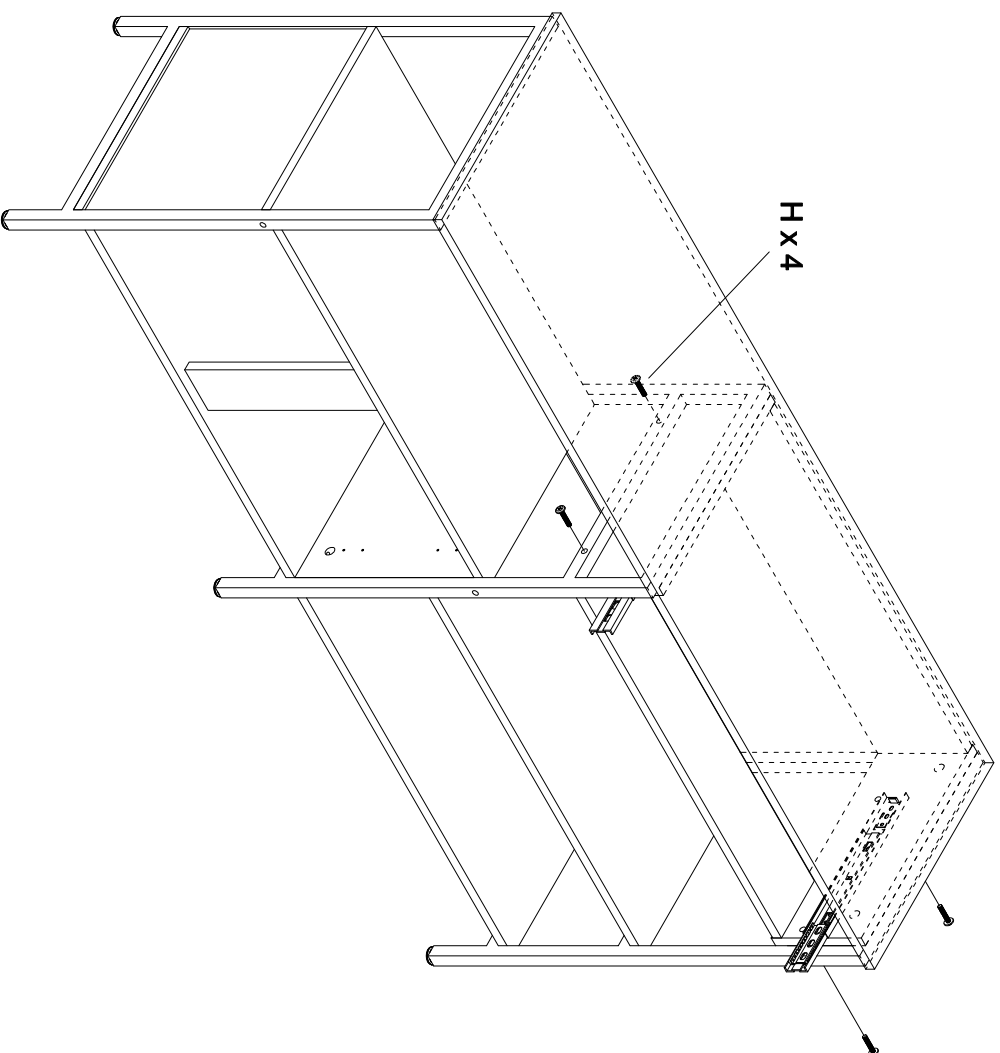
Step 5

A x 6 B x 6 H x 6



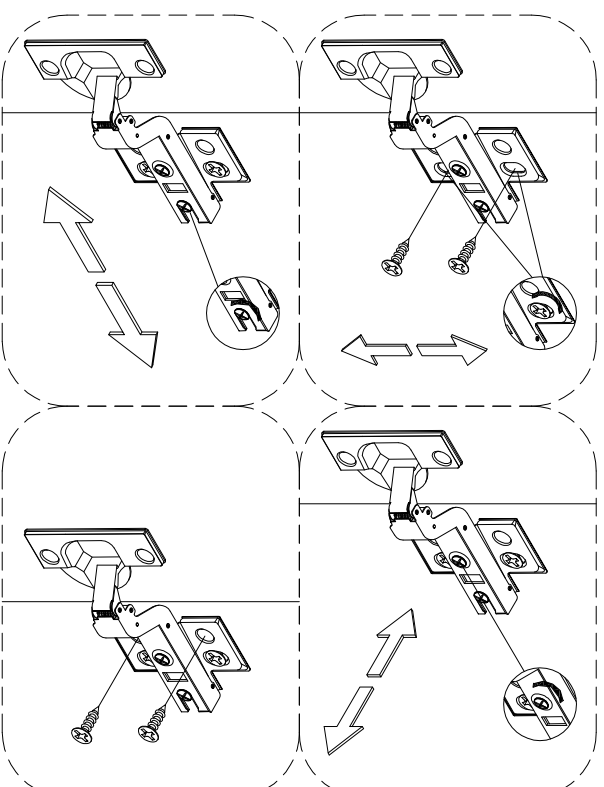
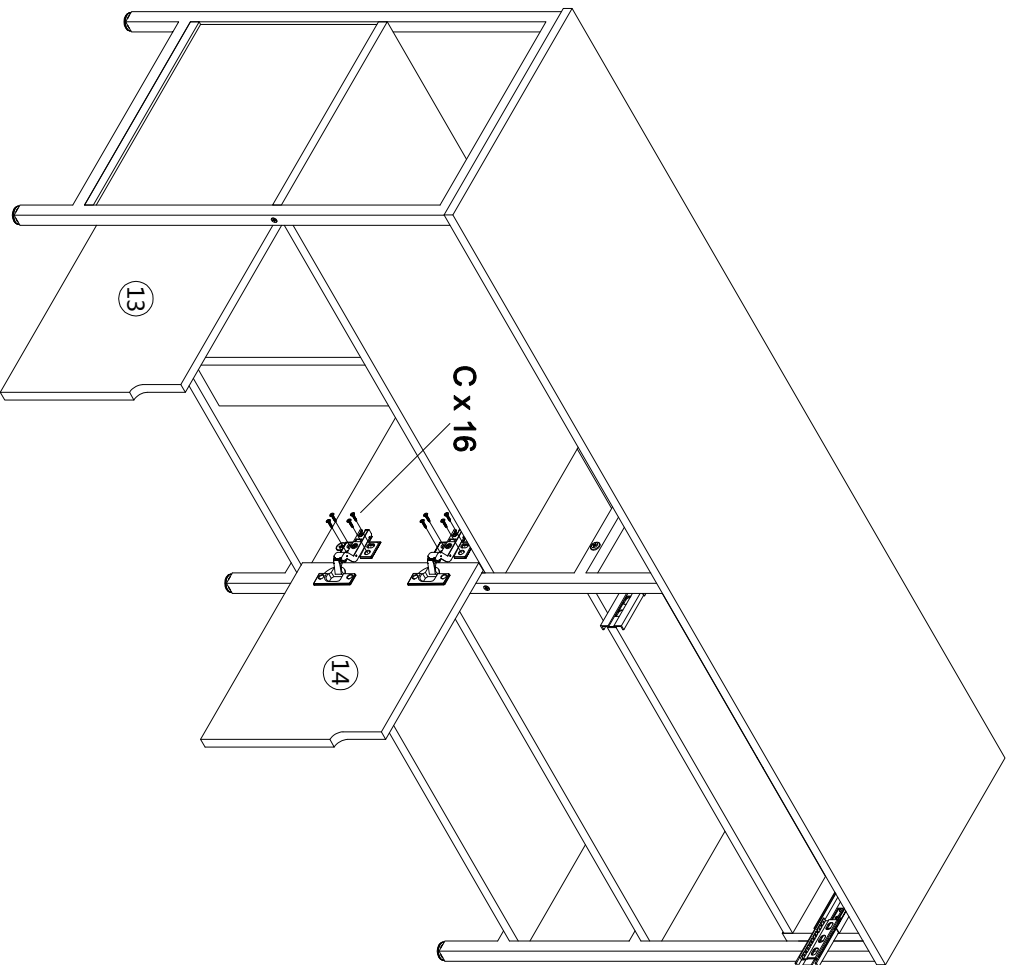
Step 6

C x 8 G x 4 H x 4



Step 7

C x 16



Step 8

A x 5 C x 4 D x 5 F 2 x 2

