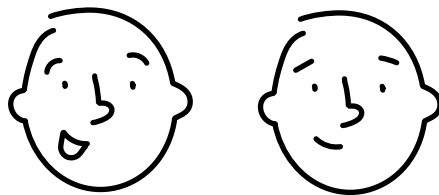
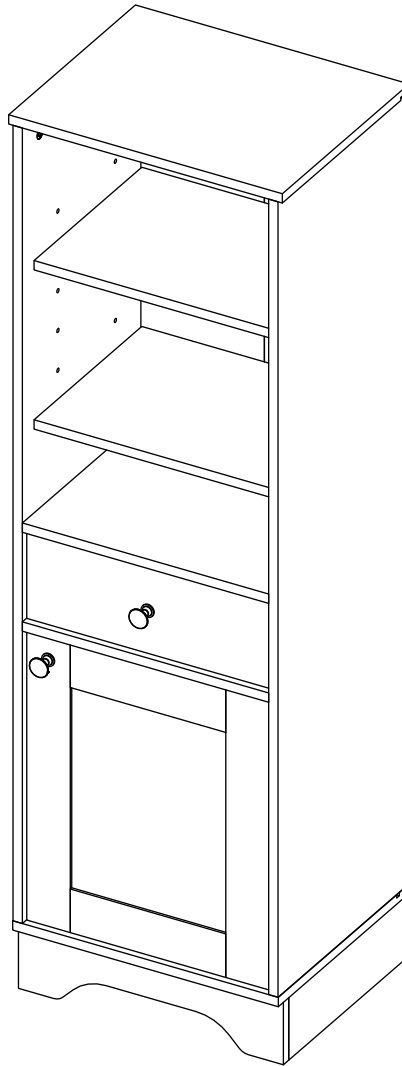


ASSEMBLY INSTRUCTIONS
ST. CLOUD LINEN CABINET

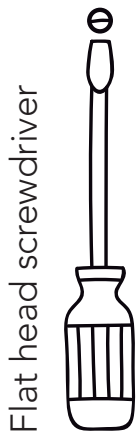


It's much better if you get some company for this!

Index

What will you need?	2
Where should you start?	3
What's in the hardware bag?	4
How do the dowels and Minifix system work? (We also explain what they are)	5-6
Let's start assembling!	7
How much weight does your cabinet resist?	22
Our last recommendations for taking care of your cabinet	23

What will you need?



A flat, smooth surface. You can use the cardboard of the box or a rug.



An electric screwdriver isn't necessary, but it can make the work much easier :)

Hi! my name is Armando, and I'll be with you while you assemble this cabinet.



Where should you start?

This is so IMPORTANT!

Over the next few pages is the panel and hardware content for this cabinet.

Please make sure that the quantity of each one is correct, and that everything is in good shape.







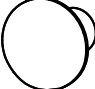
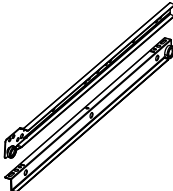

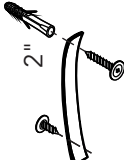
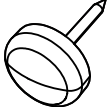
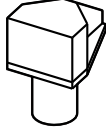
(When the cabinet is already assembled there's no warranty for this)

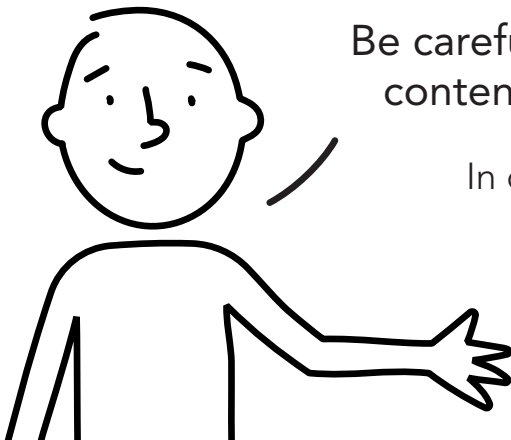


Panel quantity

A - x1	B - x1	C - x1	D - x1
E - x1	F - x2	G - x1	H - x1
I - x1	J - x1	K - x2	L - x1
M - x1	N - x1	O - x1	P - x1
Q - x1	R - x2	S - x1	T - x1
U - x1	V - x2	W - x2	X - x1

What's in the hardware bag?

 Wood dowel x42	 Spreading bolt x32	 Minifix cam x32	 Cover caps x24
 Cover caps x10	 Hinge + screws x2	 Knob + screw x2	 Drawer slides + screws x1
 Drywall screw x4	 Wall Fixing Kit + Screws x2	 Nail-on glide x6	 Shelf support x9



Be careful!, try not to lose anything from this bag, its content is necessary for assembling your cabinet.

In case something is missing, please call to our customer service line:

1-888-391-01-66

How do the dowels and Minifix system work?

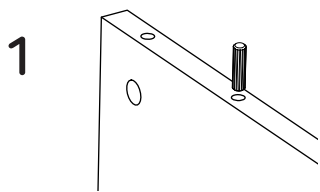
this is so important too!

Everytime you're using one of these connectors during the assembly, you should follow these same steps.

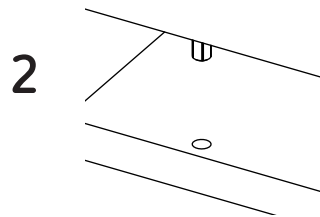


Wood dowels

They are little wooden cylinders.



Put in the dowel inside the indicated hole and softly hit it until it's fully inside.



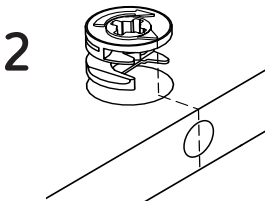
When joining two panels together, don't forget to gently hit the panels to adjust the joint.

Minifix system

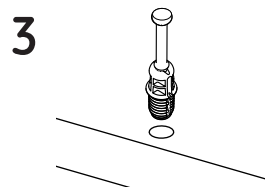
It's a joint compound of two parts: a spreading bolt and a Minifix cam.



This is a Minifix cam. It has a little arrow on its upper surface.



You should insert these cams with the little arrow pointing towards the drilling on the panel's edge (shown on the left).



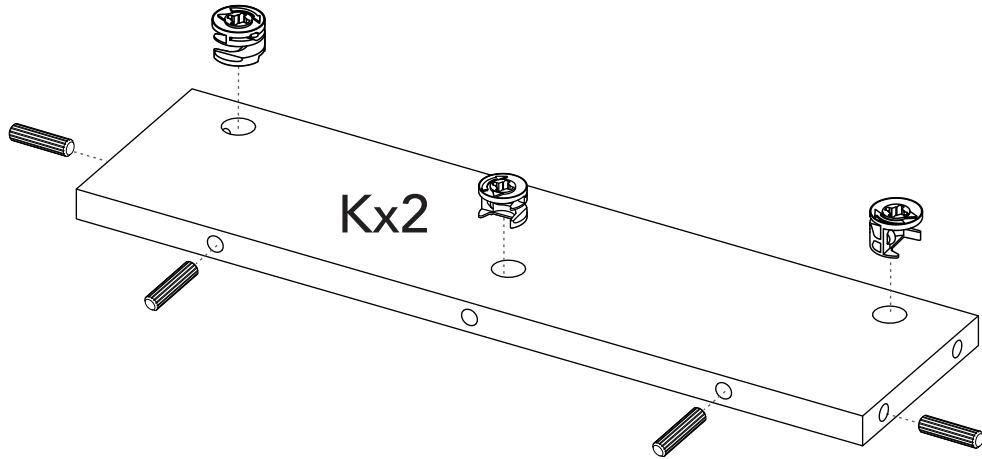
This is a spreading bolt. You should put it with the black plastic part facing down.



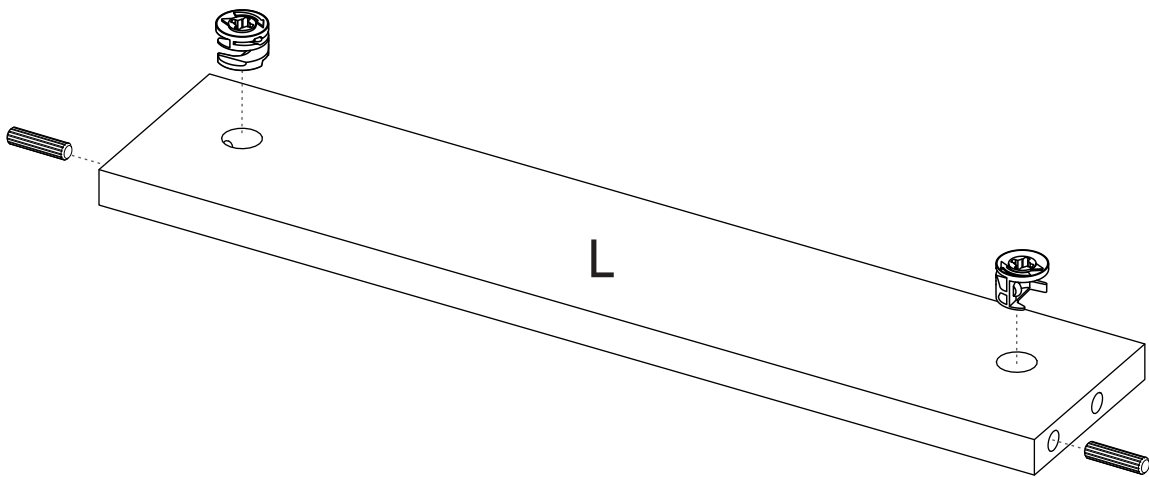
After joining two panels together you should turn the cams 180° with a phillips head screwdriver to adjust and secure the joint.

1 Let's start assembling!

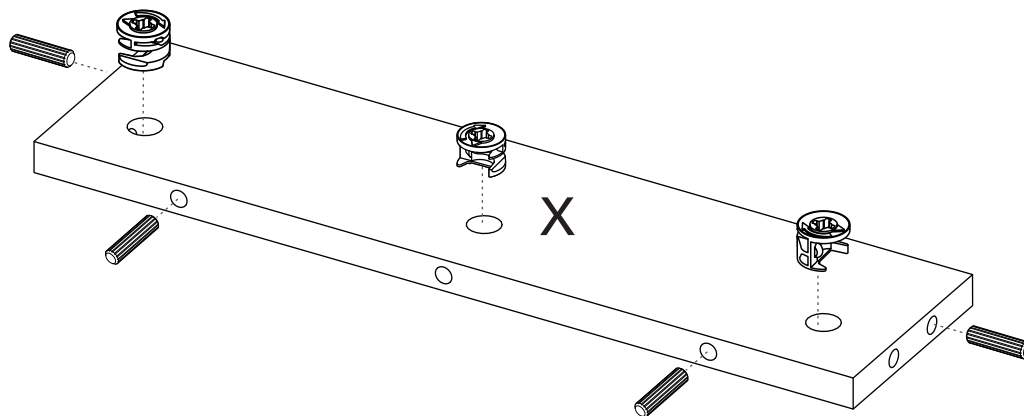
You can see the last page of this manual to have a full look of the panels of this cabinet.



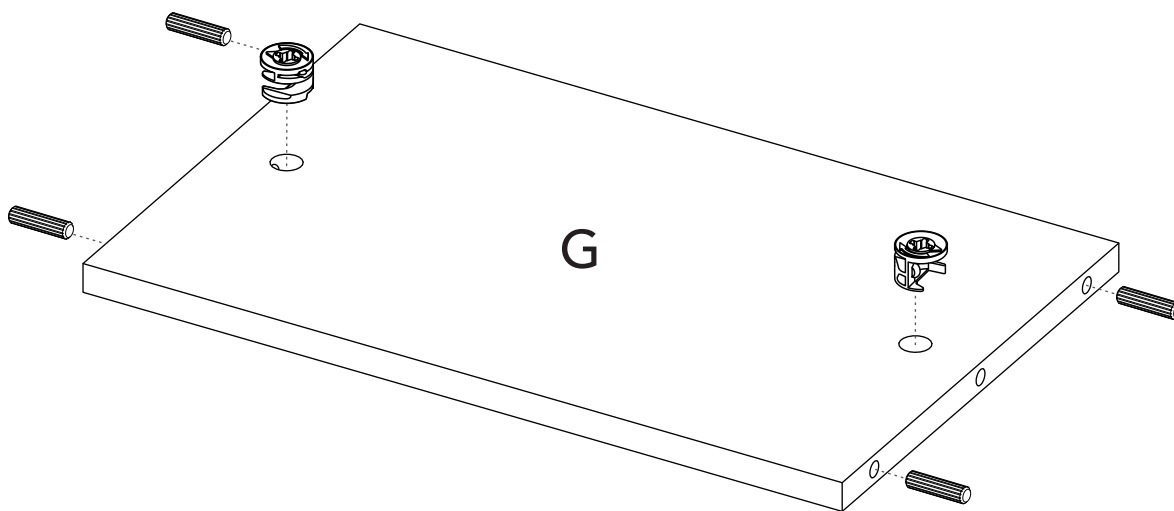
2



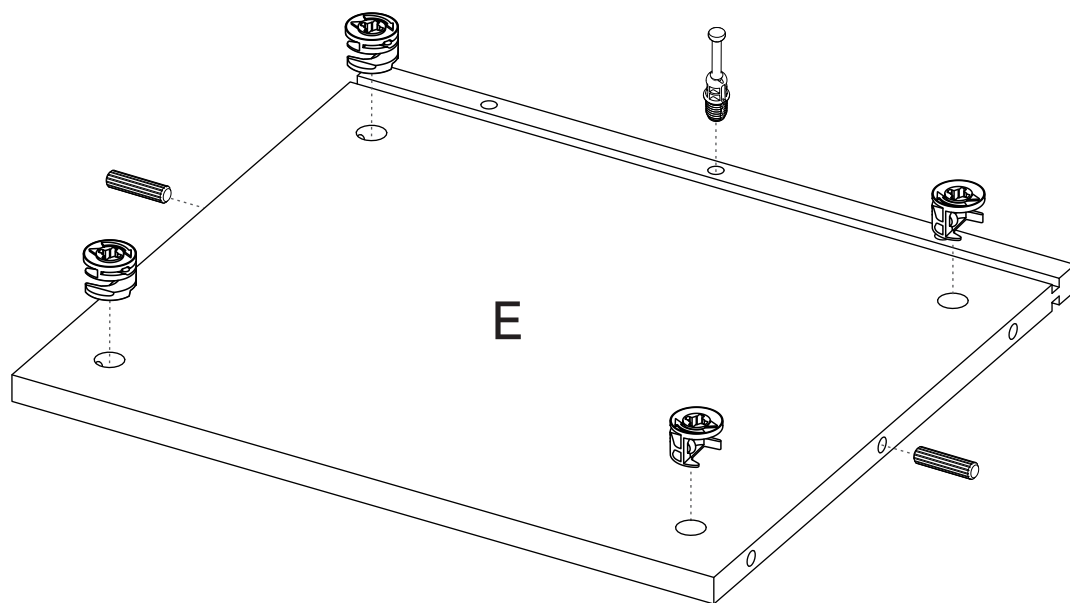
3



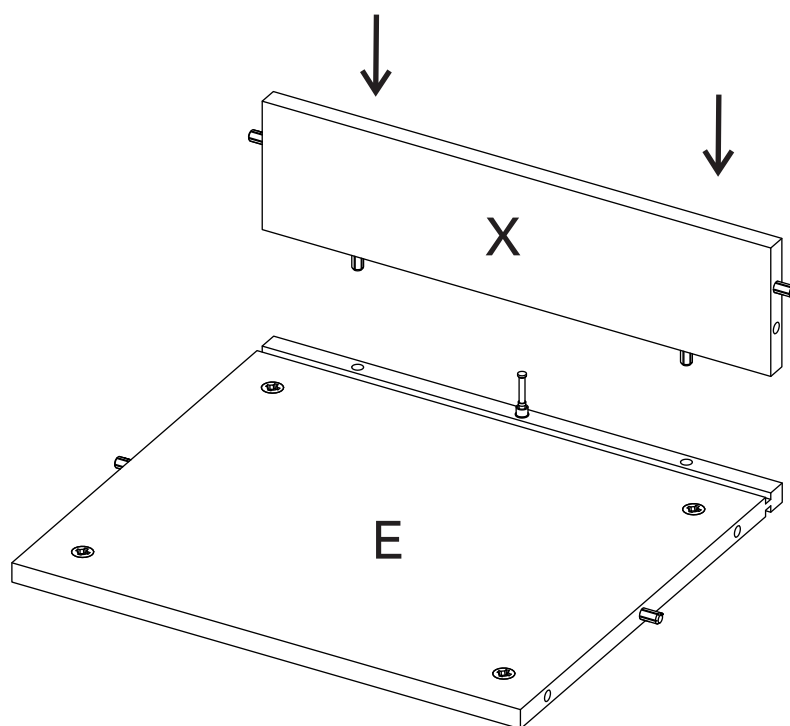
4



5

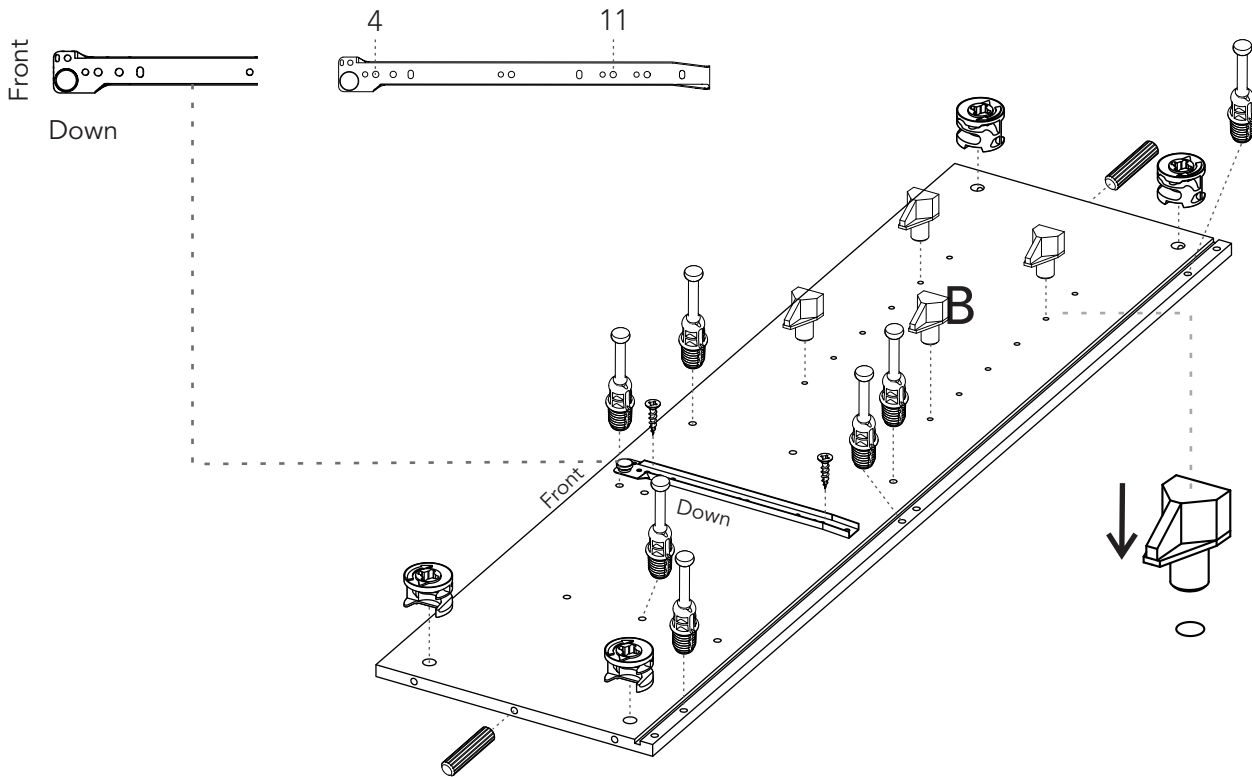


6

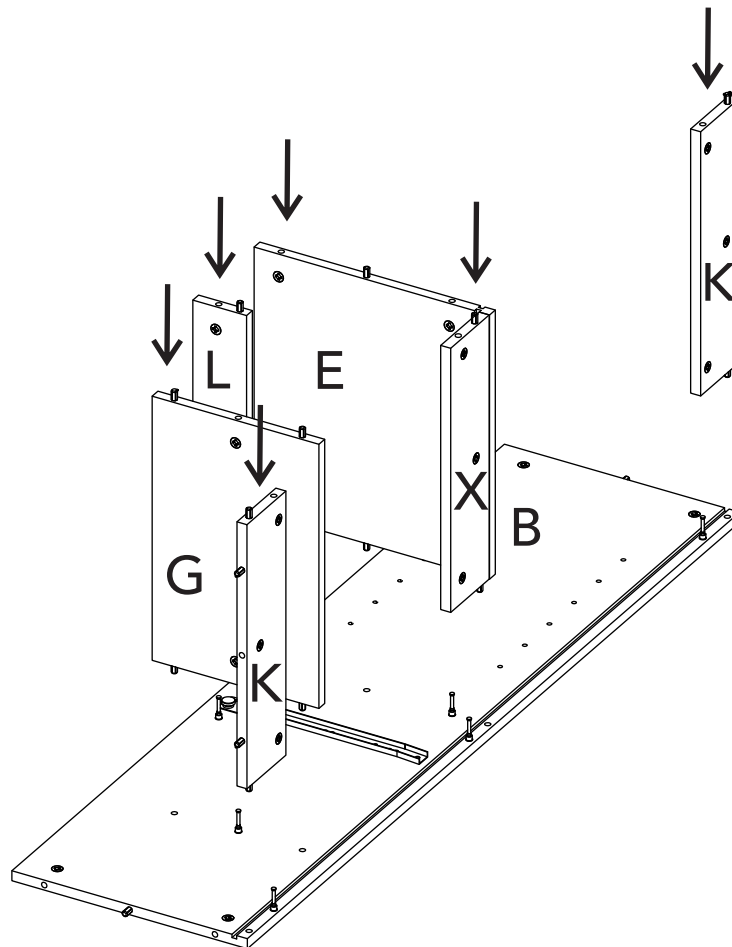


7 Drawer slides installation (apply for steps 7 and 9)

The wheel should go towards the front edge of the panel and facing down, like this:

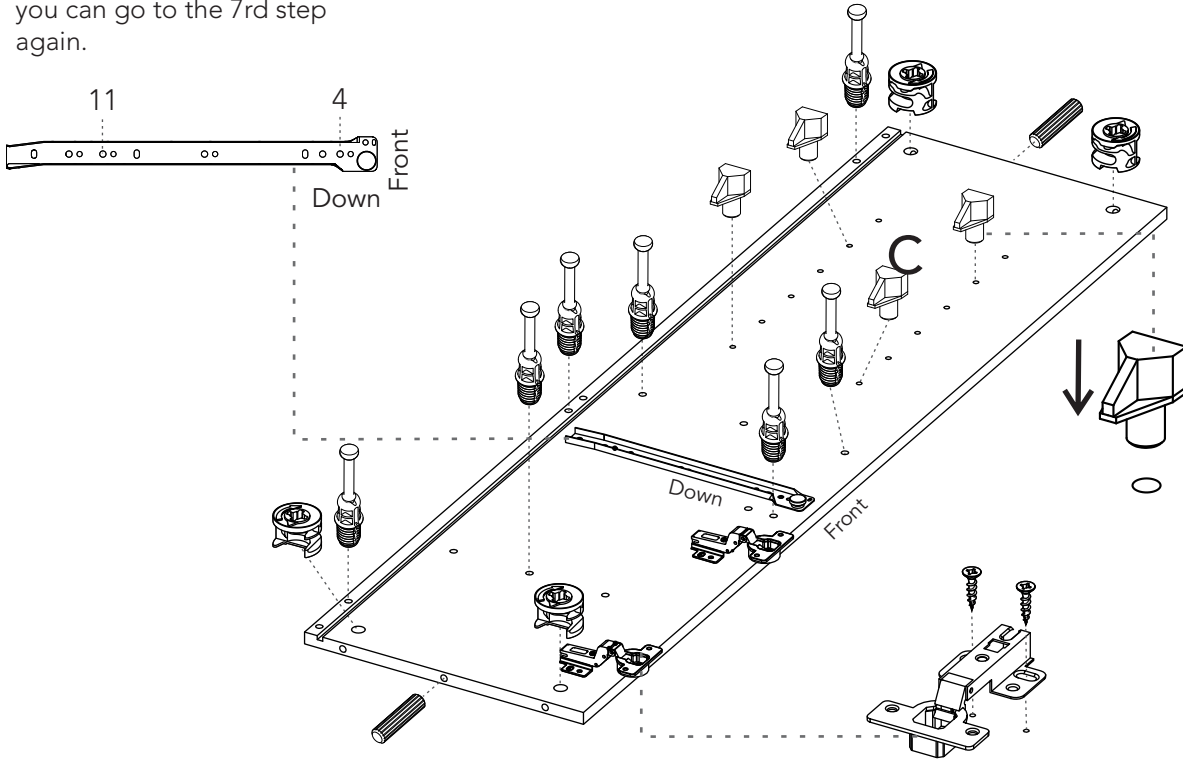


8

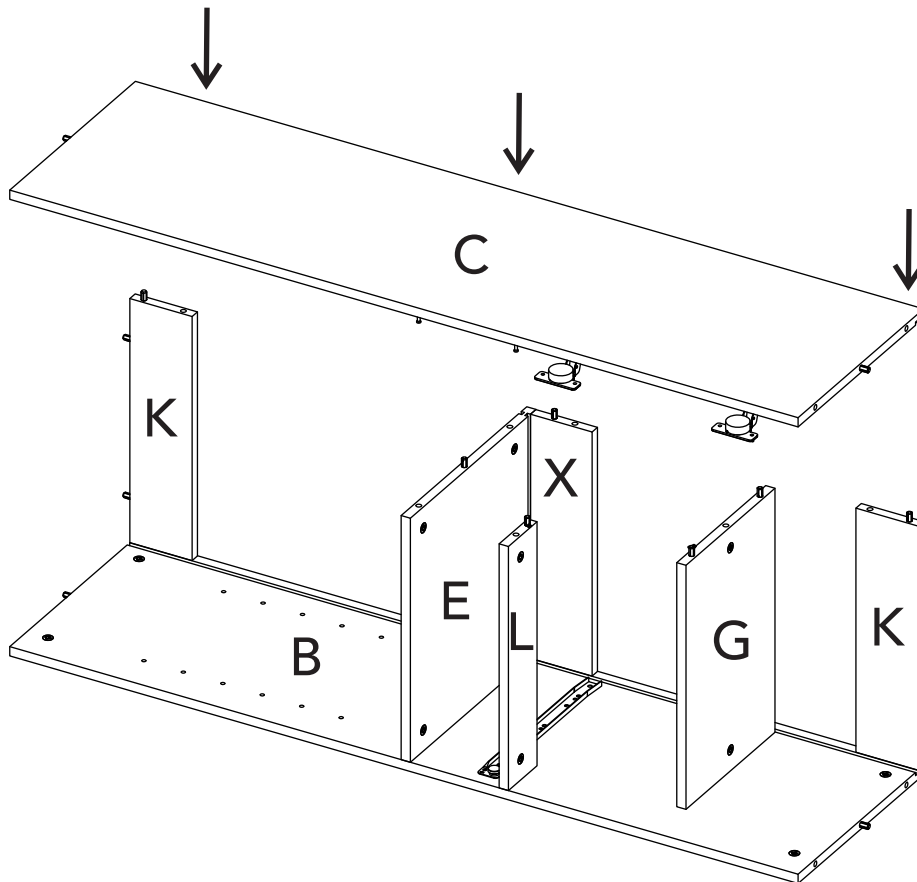


9

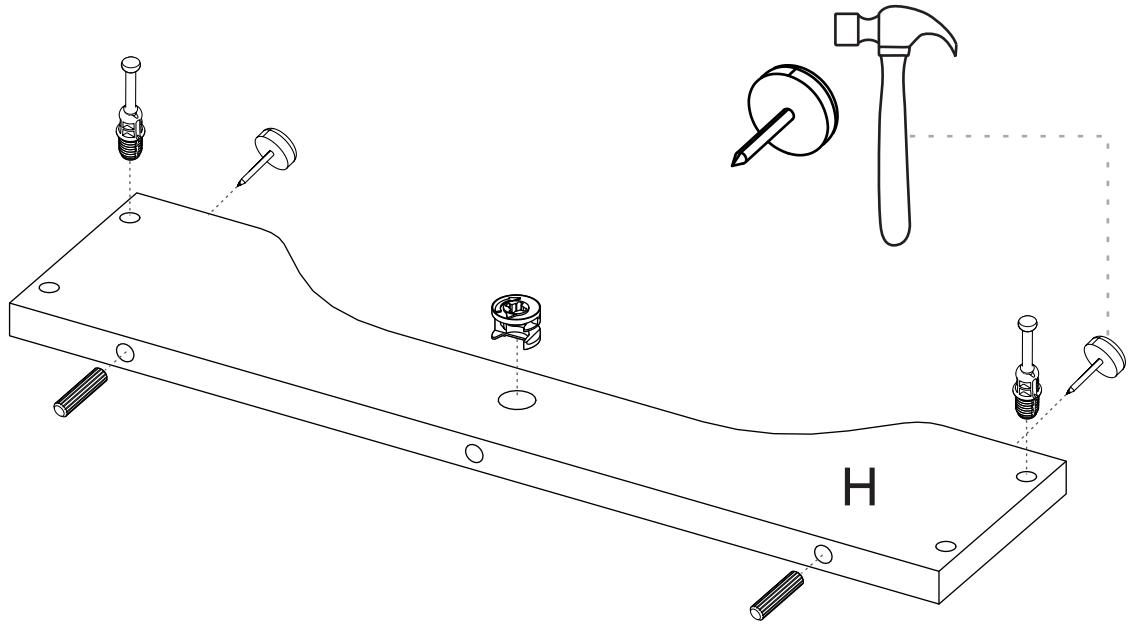
To recall the slides installation you can go to the 7rd step again.



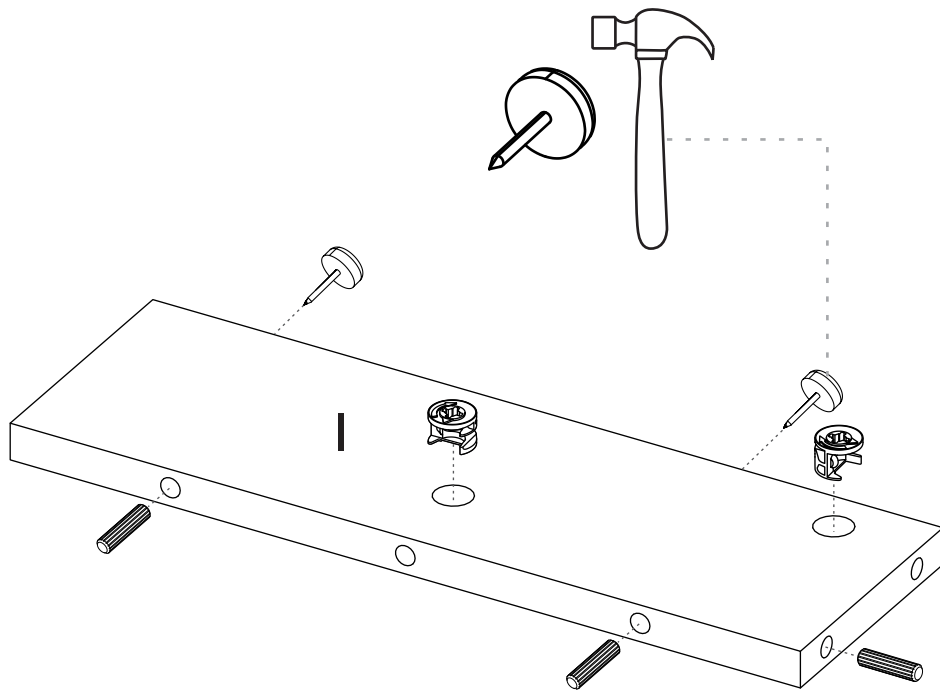
10



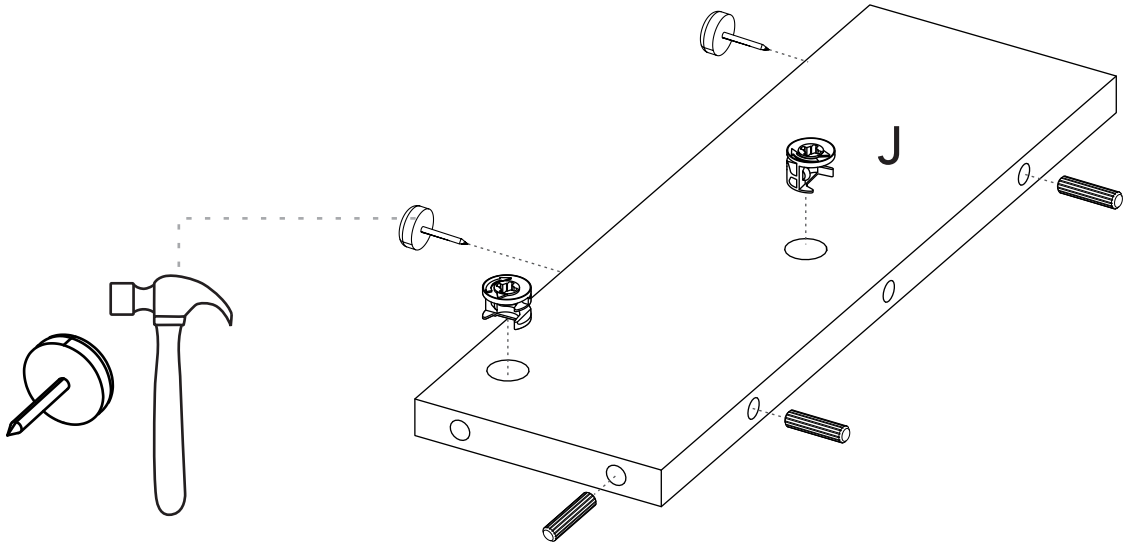
11



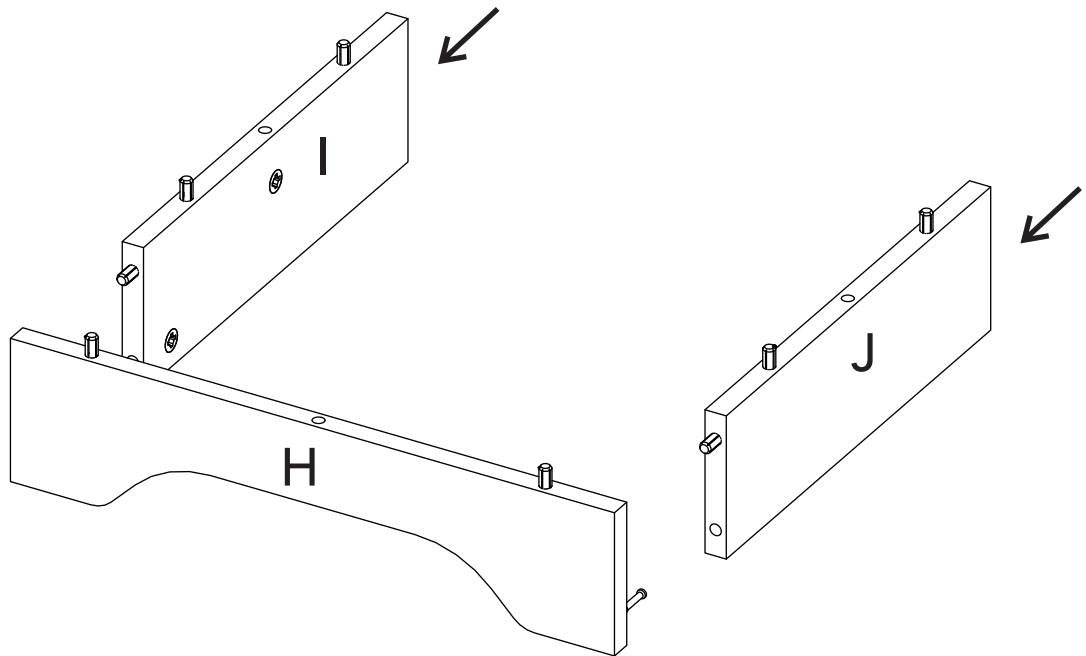
12



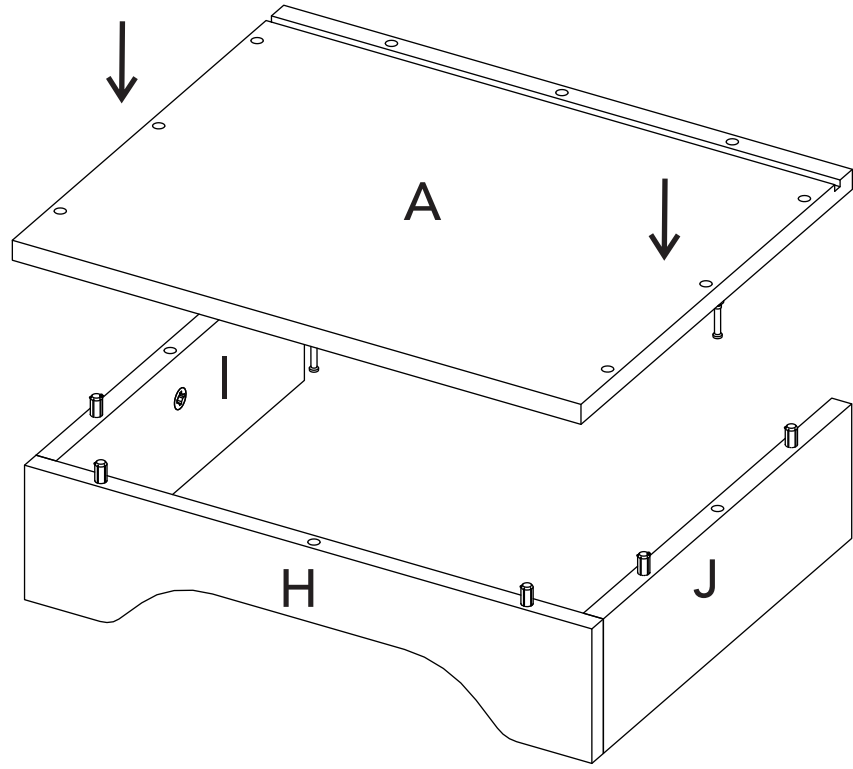
13



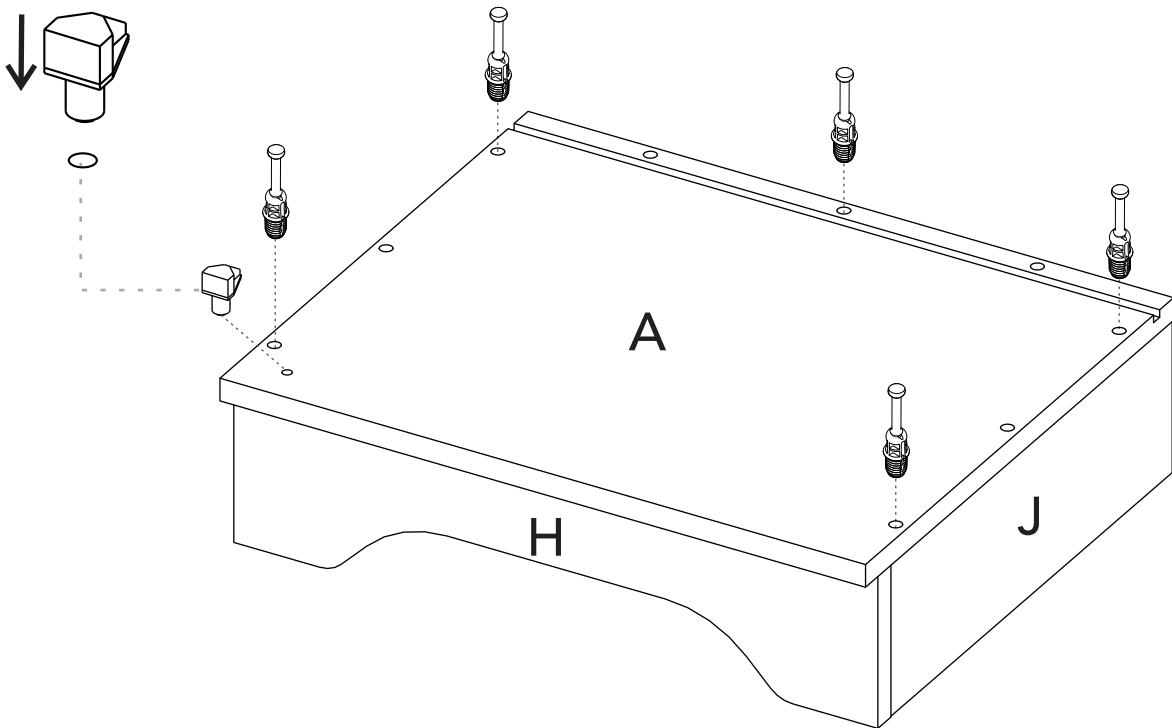
14



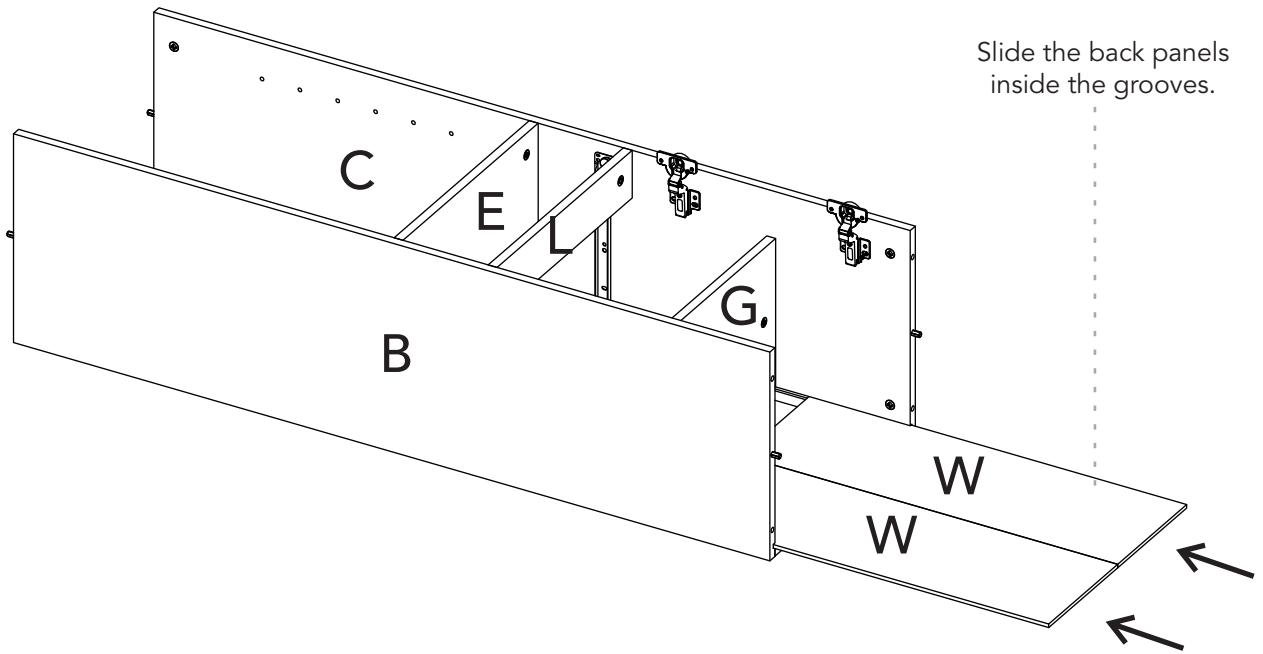
15



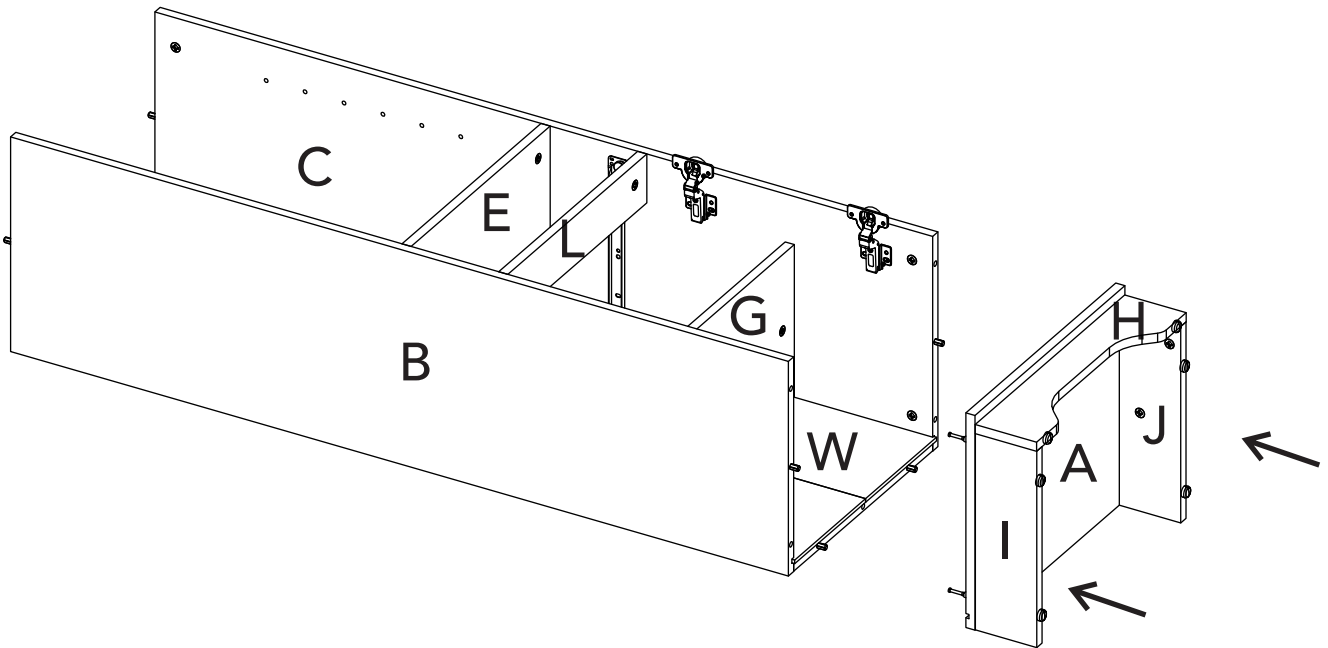
16



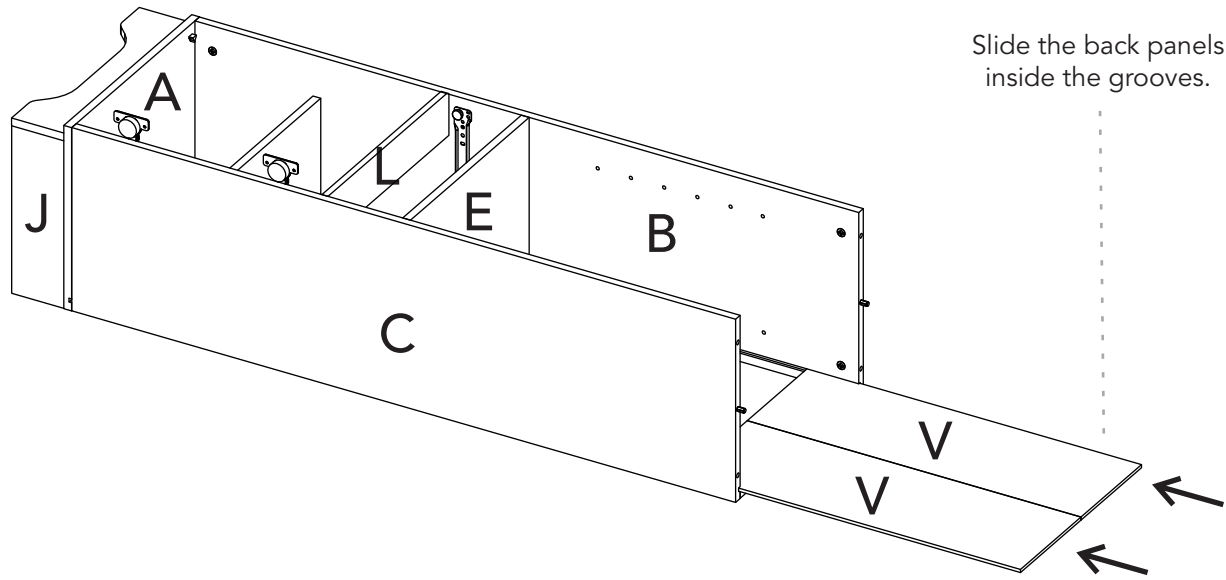
17



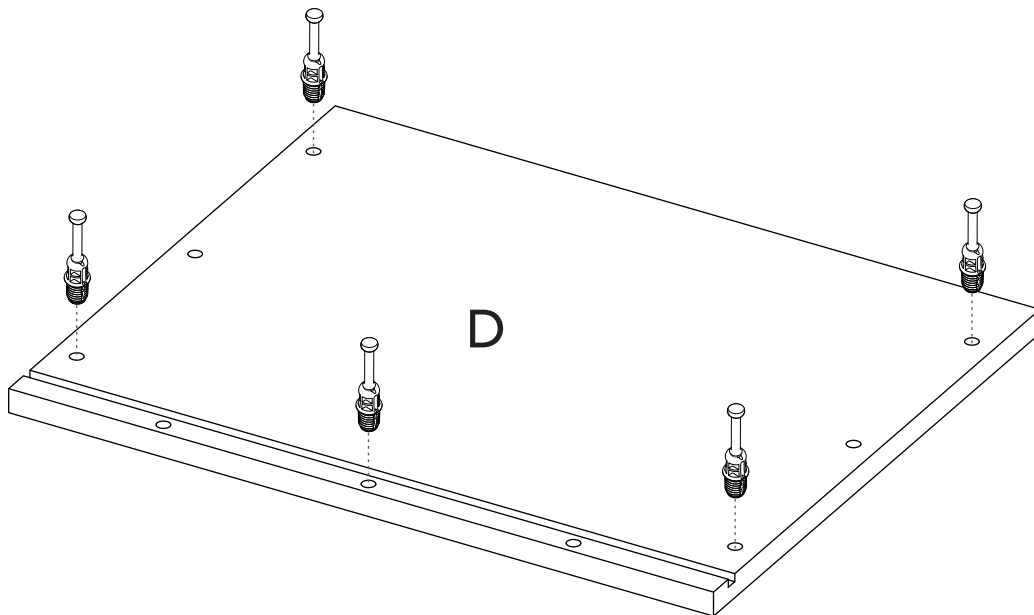
18

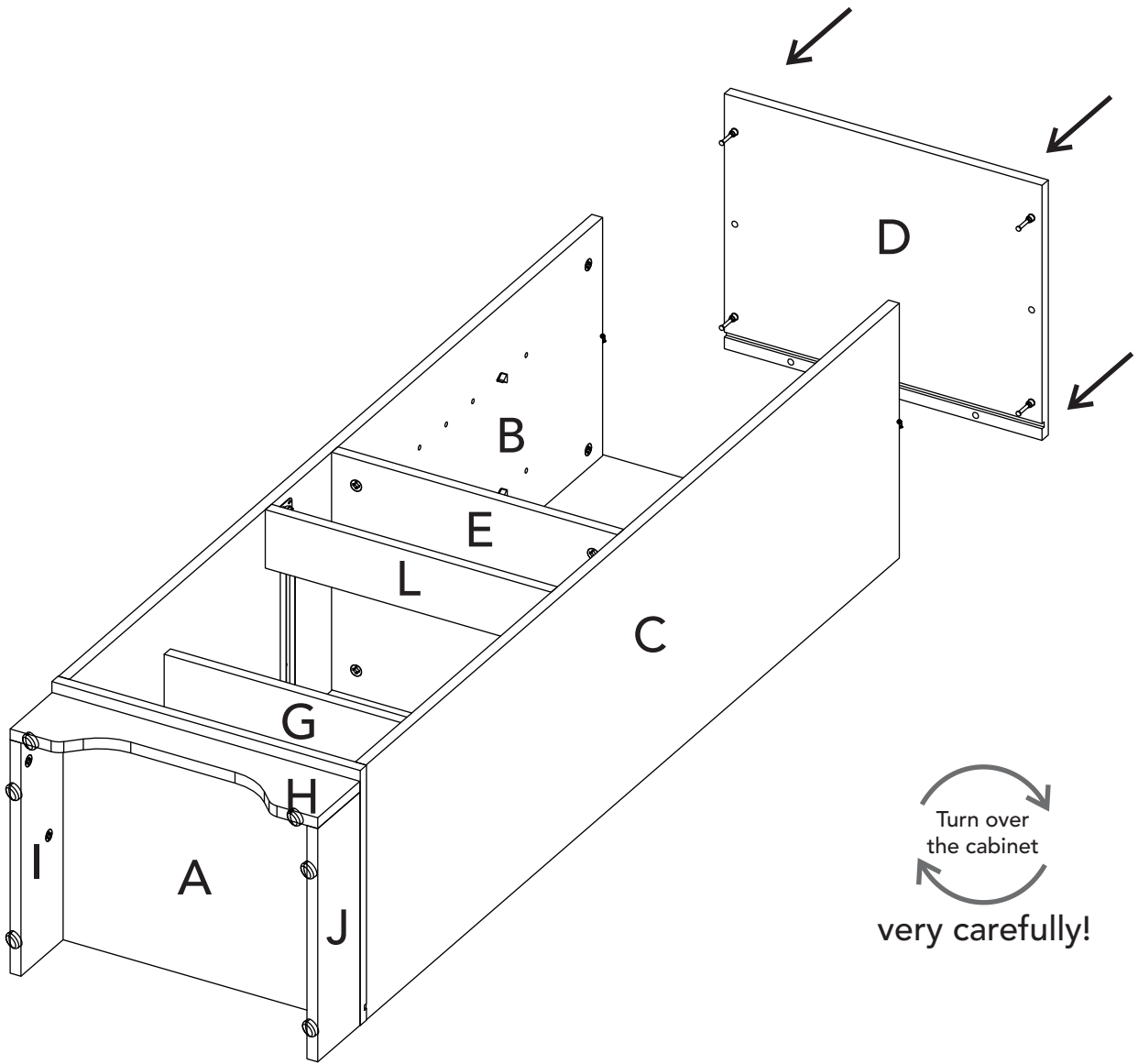


19








20

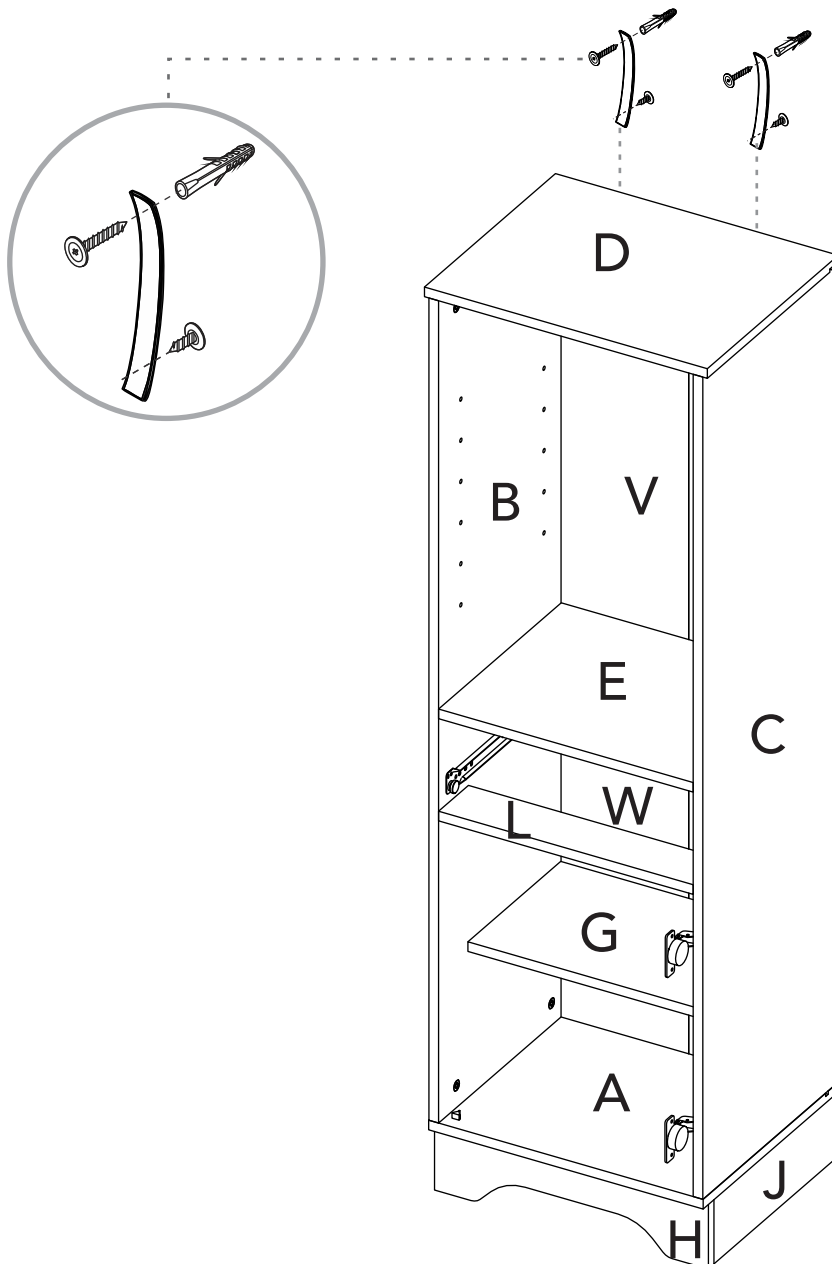




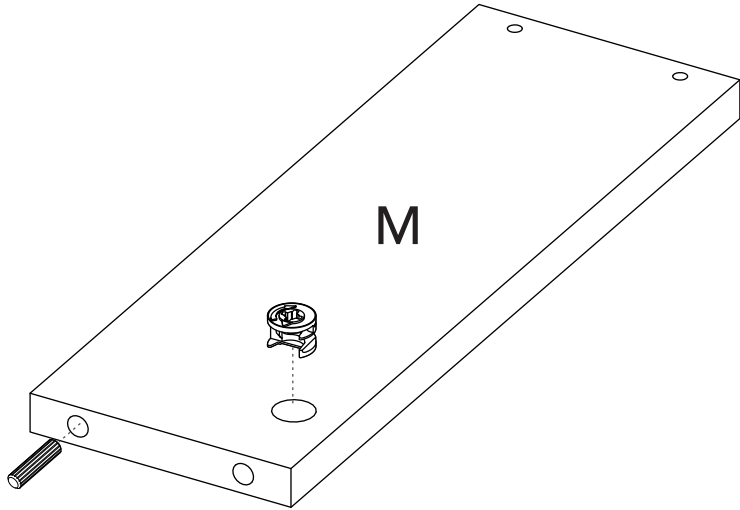
Turn over
the cabinet
very carefully!

Fix your cabinet to the wall

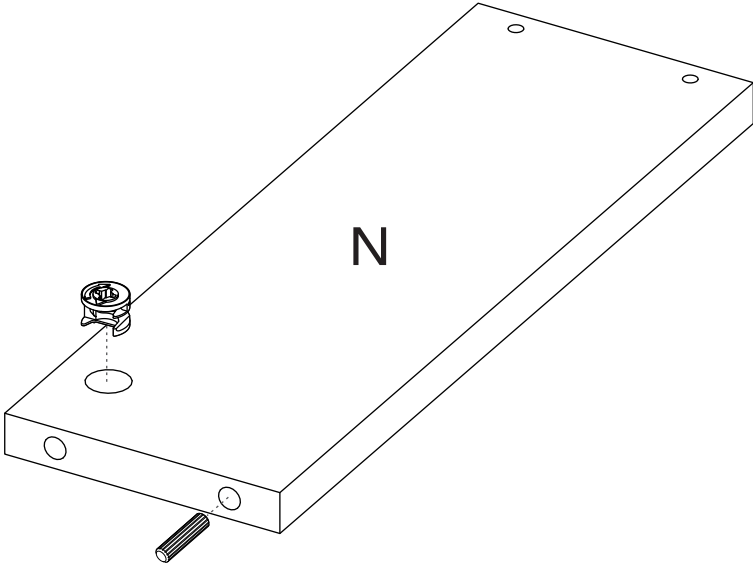
- 1 Make a small hole on the top edge of the furniture top and fix one side of the strip with the 15mm screw and the washer. 
- 2 Stretch the strip and measure on the wall to drill. 
- 3 Drill a hole in your wall to a depth of 30mm using a 6mm drill bit. 
- 4 Insert the plastic wall anchor into the hole. 
- 5 Fix the other side of the strip with the screw and the washer. 



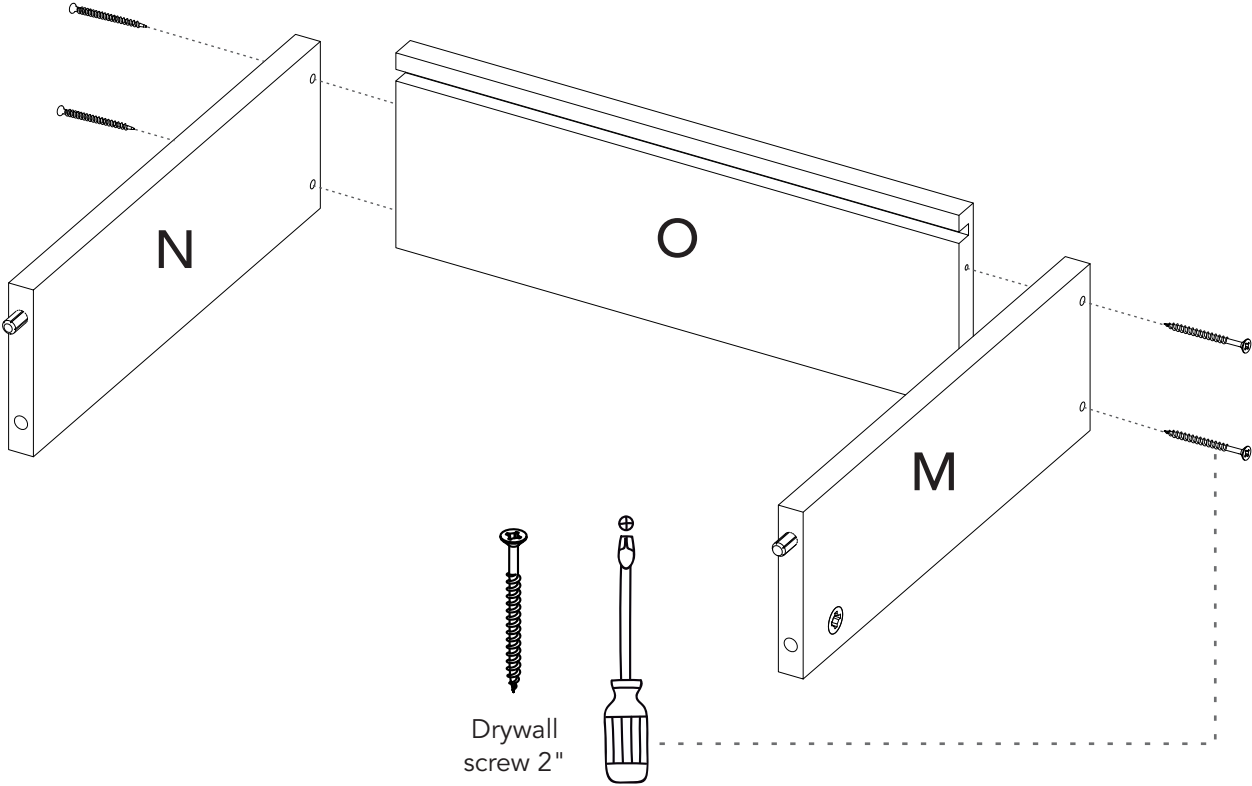
23



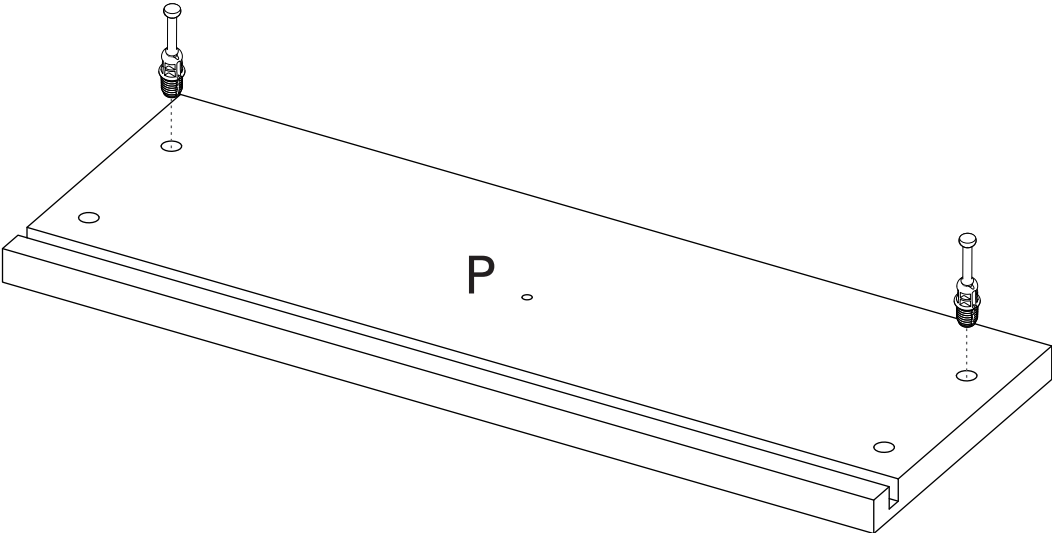
24



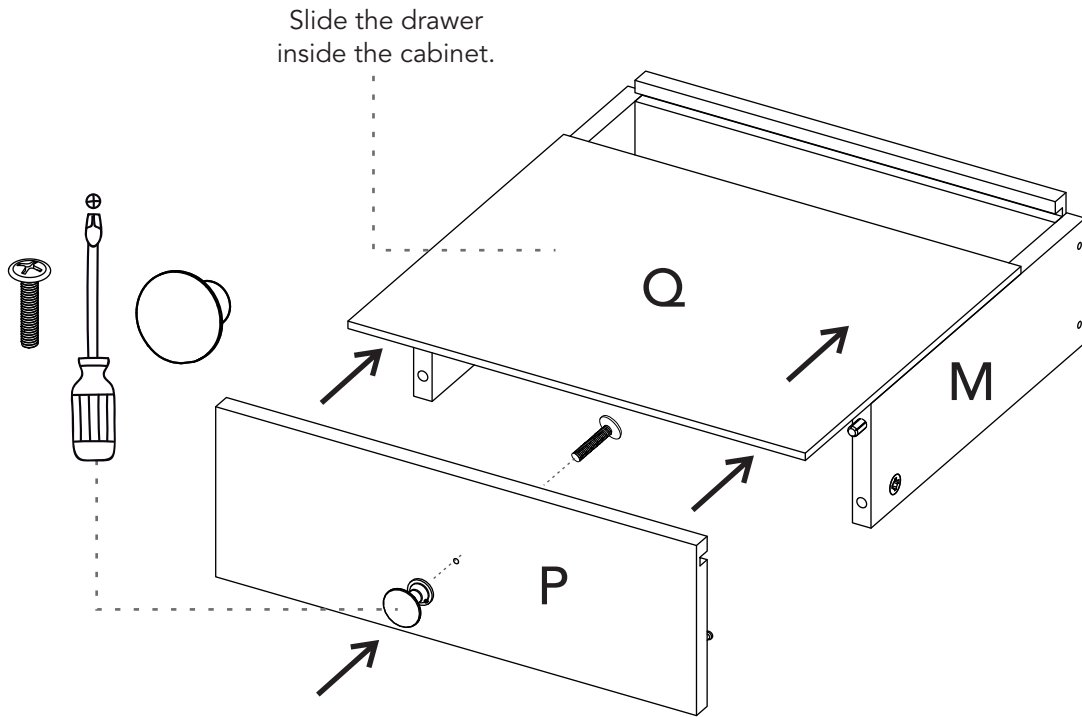
25



26

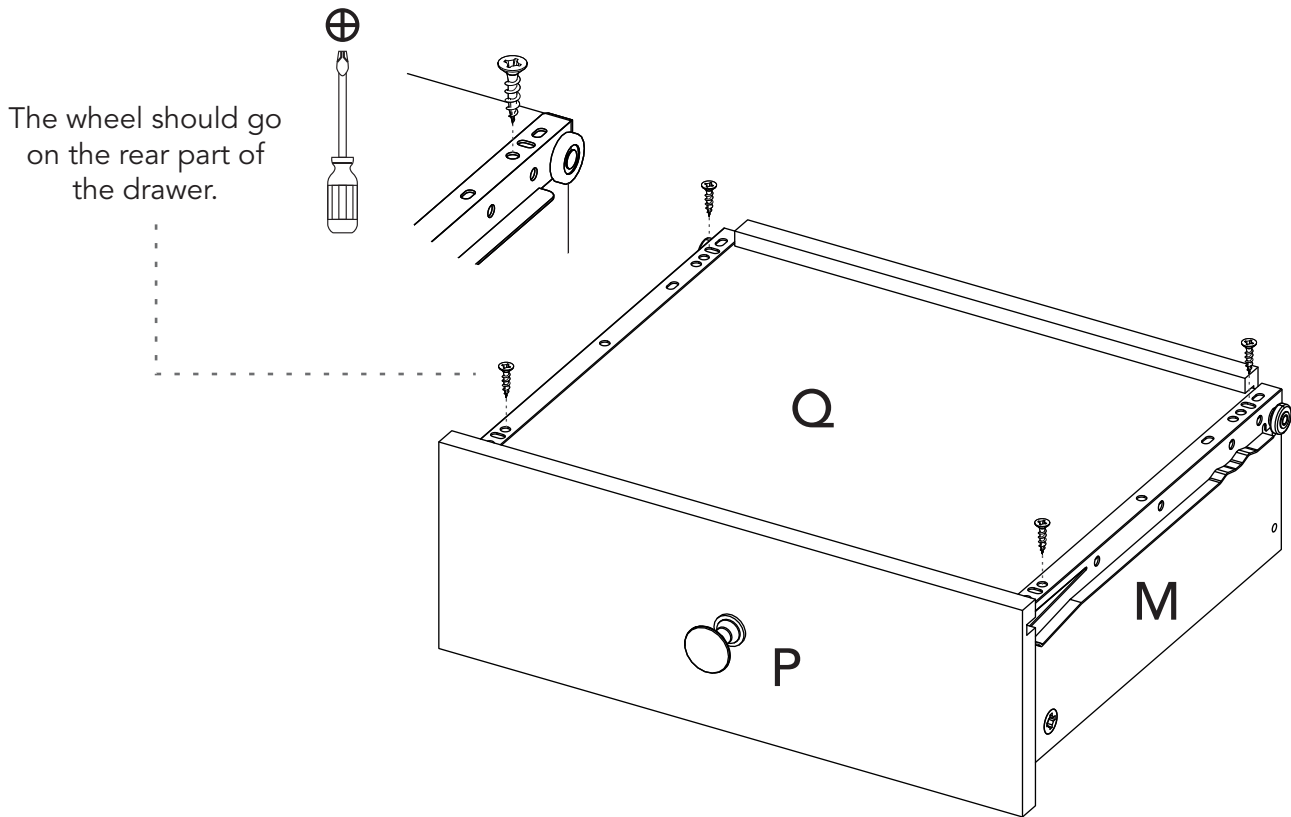


27



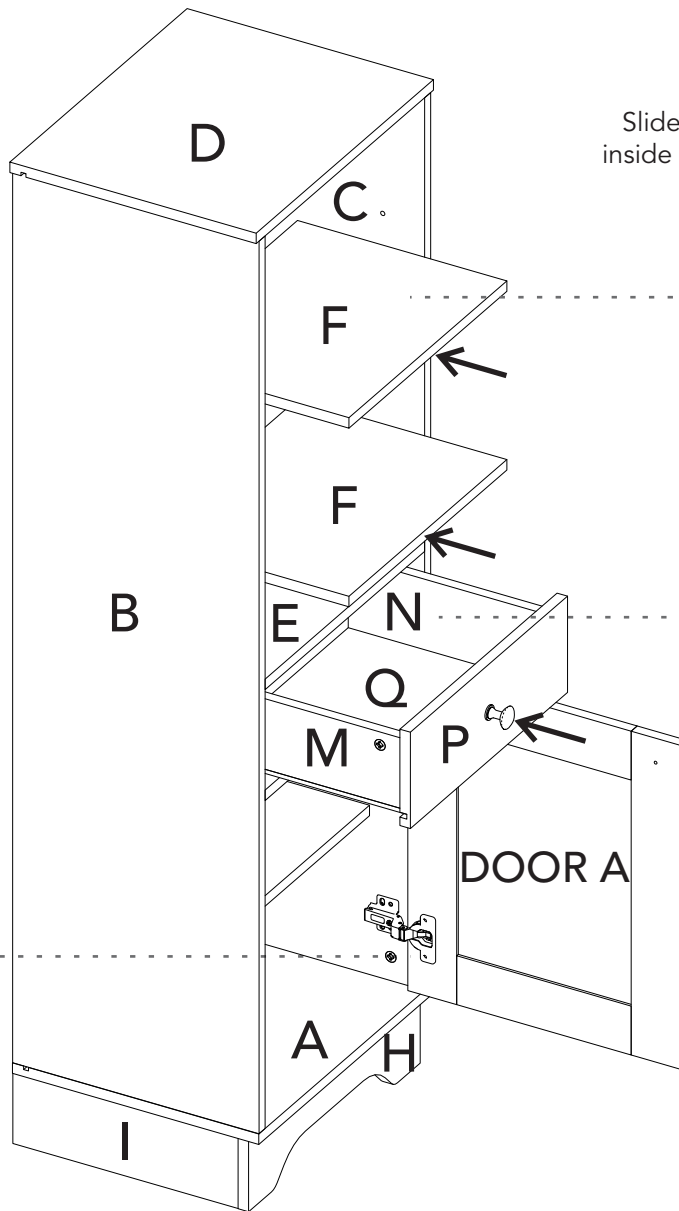
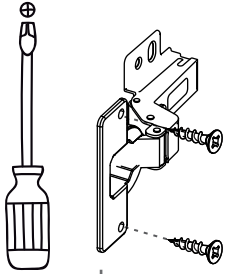
28

Putting the drawers in



29

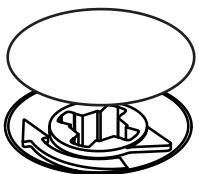
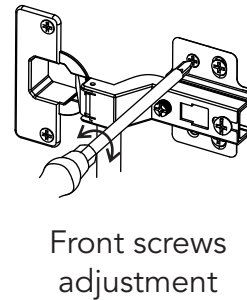
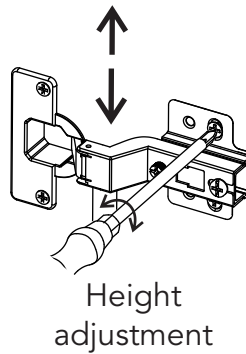
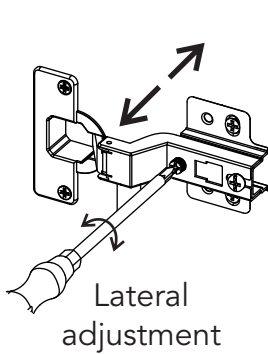
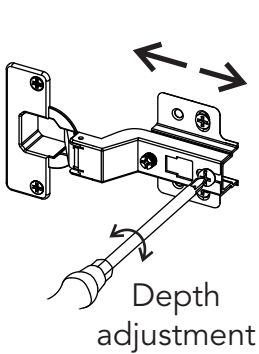
Assembling and setting up the door



Slide the shelves inside the cabinet.

Slide the drawer inside the cabinet.

Hinge adjustment

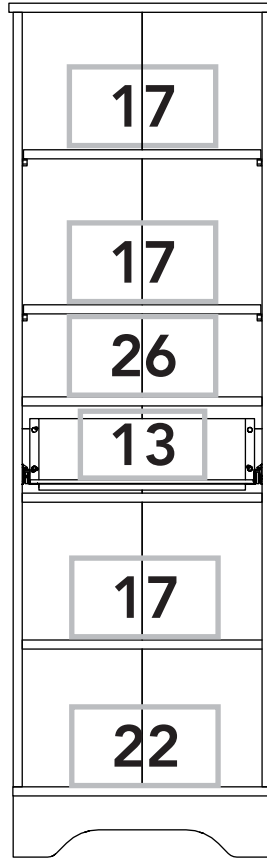


After adjusting all the Minifix cams, cover them up with the cover caps.

A

After finishing the assembly, lift off all the adhesive letters.

How much weight does my cabinet resist?



*weight in pounds



**Congratulations!
It's done**

But don't go yet!

There are some
recommendations left for you
to take care of your cabinet
correctly from now on.

SUPER IMPORTANT!

We suggest fixing the cabinet to the
wall, so we can avoid the cabinet
tipping and harming anyone.
Be specially careful with the kids.

Taking care of your cabinet:

- Do not paint the cabinet.
- The cabinet it's exclusively for indoor spaces. Do not expose it to the direct sun.
- Clean the metallic hardware with a dry cloth.
- DO NOT overload the cabinet (see suggested loads)
- Do not hit or hammer the cabinet (only when indicated here).
- Clean it with thinner, a soft soap solution or simply a damp cloth.
- Don't drag the cabinet, lift it up with other people.
- Avoid direct contact with water, fire or exposing it to high heat.

Cabinet panels

