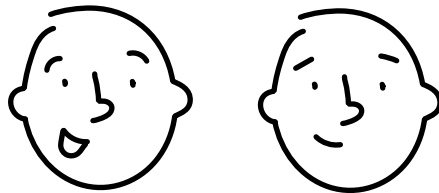
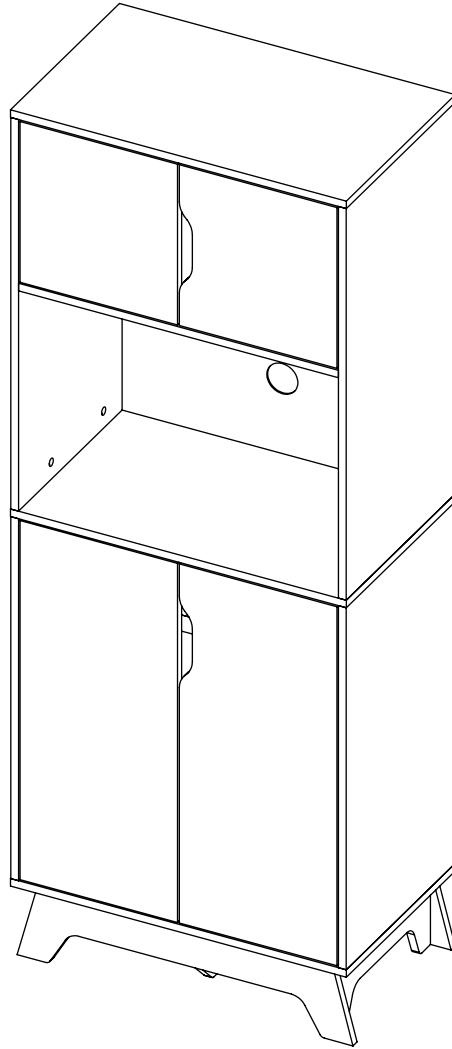


# ASSEMBLY INSTRUCTIONS

## PAMPLONA MICROWAVE TALL CABINET



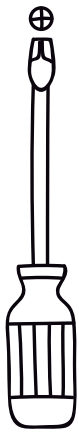
It's much better if you get some company for this!

# Index

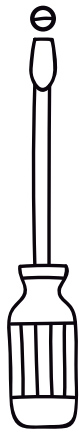
|   |    |
|---|----|
| What will you need?   | 2  |
| Where should you start?   | 3  |
| What's in the hardware bag?   | 4  |
| How do the dowels and Minifix system work?<br>(We also explain what they are) | 5  |
| Let's start assembling!   | 6  |
| How much weight does your cabinet resist?                                     | 24 |
| Our last recommendations for taking care of your cabinet                      | 25 |

## What will you need?

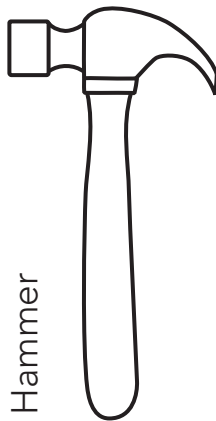
Phillips head screwdriver



Flat head screwdriver



Hammer



Hi! my name is Armando, and I'll be with you while you assemble this cabinet.



A flat, smooth surface. You can use the cardboard of the box or a rug.



An electric screwdriver isn't necessary, but it can make the work much easier :)

# Where should you start?

## This is so IMPORTANT!

Over the next few pages is the panel and hardware content for this cabinet.

Please make sure that the quantity of each one is correct, and that everything is in good shape.


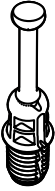




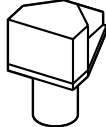


(When the cabinet is already assembled there's no warranty for this)

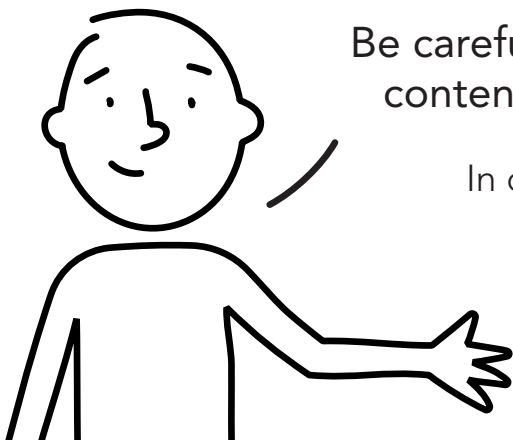


## Panel quantity

|        |        |        |        |
|--------|--------|--------|--------|
| A - x1 | B - x2 | C - x2 | D - x1 |
| E - x1 | F - x1 | G - x1 | H - x1 |
| I - x1 | J - x2 | K - x1 | L - x1 |
| M - x1 | N - x1 | O - x1 | O - x1 |
| P - x1 | Q - x1 | R - x1 | S - x1 |
| T - x1 | U - x1 | V - x2 | W - x1 |

# What's in the hardware bag?

|   |   |  |   |
|---|---|--|---|
|    |  |  |  |
| Wood dowel<br>x51   | Spreading bolt<br>x52   | Minifix cam<br>x52   | Cover caps<br>x40   |
|    |  |  |  |
| Cover caps<br>x20   | Hinge +<br>screws<br>x8   | Shelf<br>support<br>x8   | Nail-on glide<br>x9   |
|  |   |  |   |
| Wall anchor<br>+ screw<br>x2  |   |  |   |



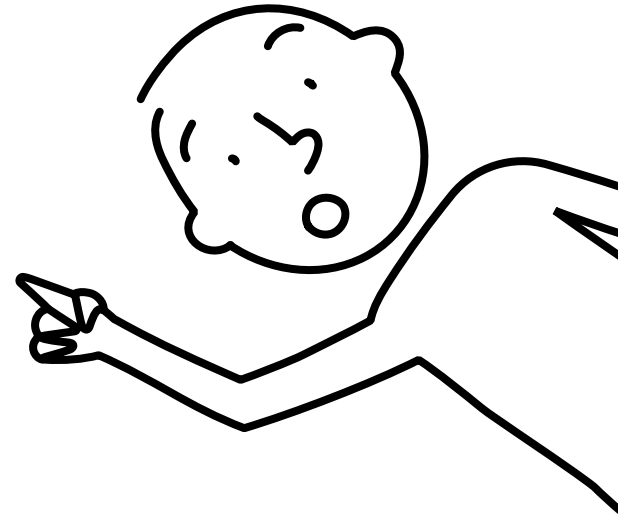
Be careful!, try not to lose anything from this bag, its content is necessary for assembling your cabinet.

In case something is missing, please call to our customer service line:  
1-888-391-01-66

# How do the dowels and Minifix system work?

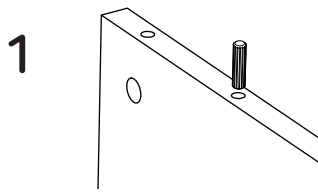
this is so important too!

Everytime you're using one of these connectors during the assembly, you should follow these same steps.

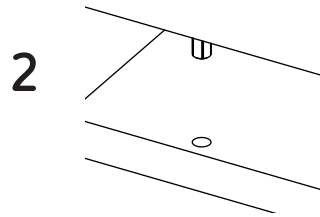


## Wood dowels

They are little wooden cylinders.



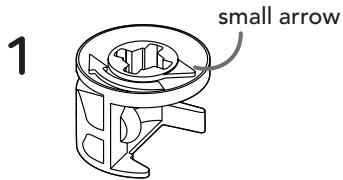
Put in the dowel inside the indicated hole and softly hit it until it's fully inside.



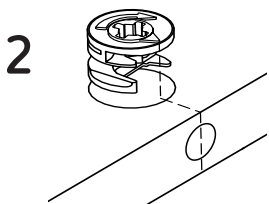
When joining two panels together, don't forget to gently hit the panels to adjust the joint.

## Minifix system

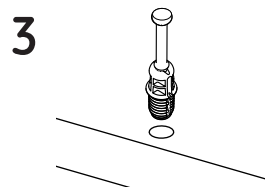
It's a joint compound of two parts: a spreading bolt and a Minifix cam.



This is a Minifix cam. It has a little arrow on its upper surface.



You should insert these cams with the little arrow pointing towards the drilling on the panel's edge (shown on the left).



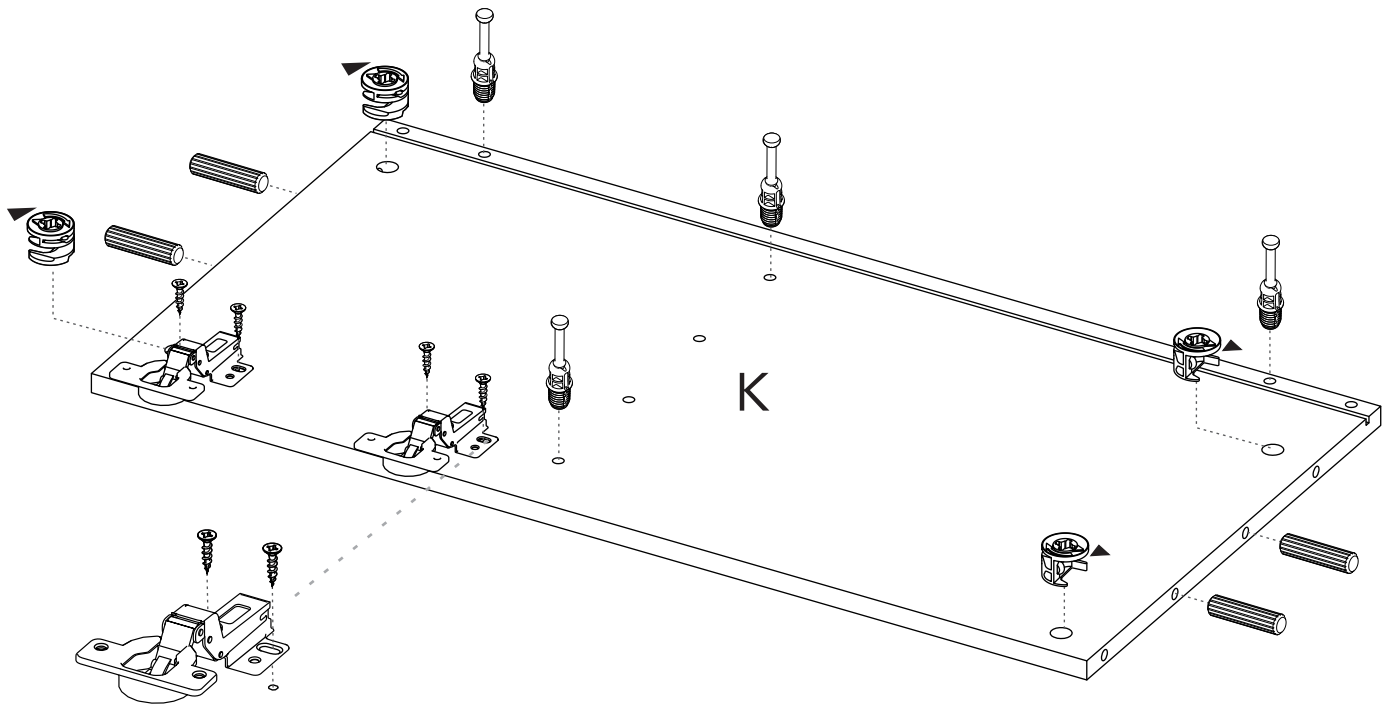
This is a spreading bolt. You should put it with the black plastic part facing down.



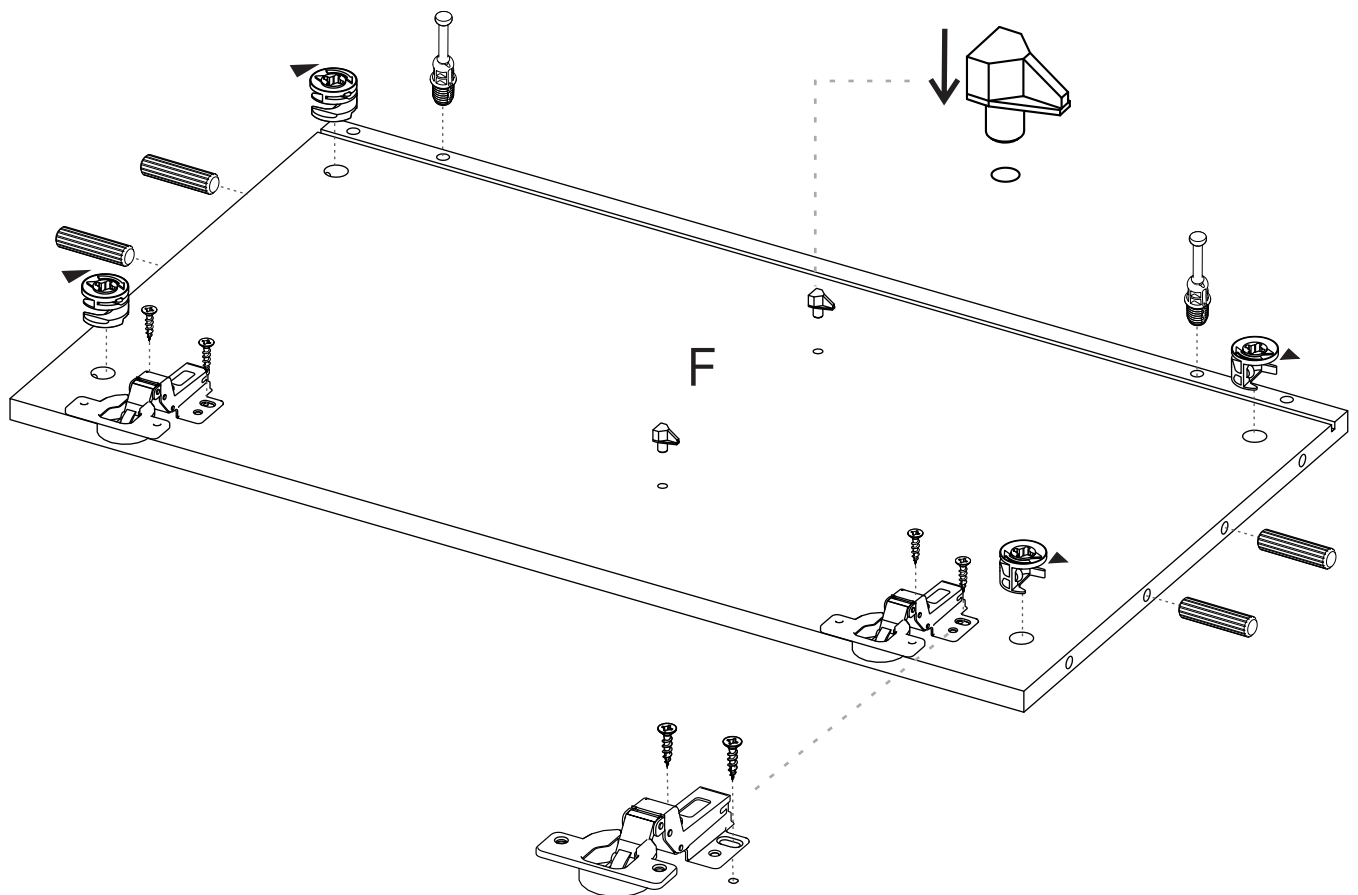
After joining two panels together you should turn the cams 180° with a phillips head screwdriver to adjust and secure the joint.

# 1 Let's start assembling!

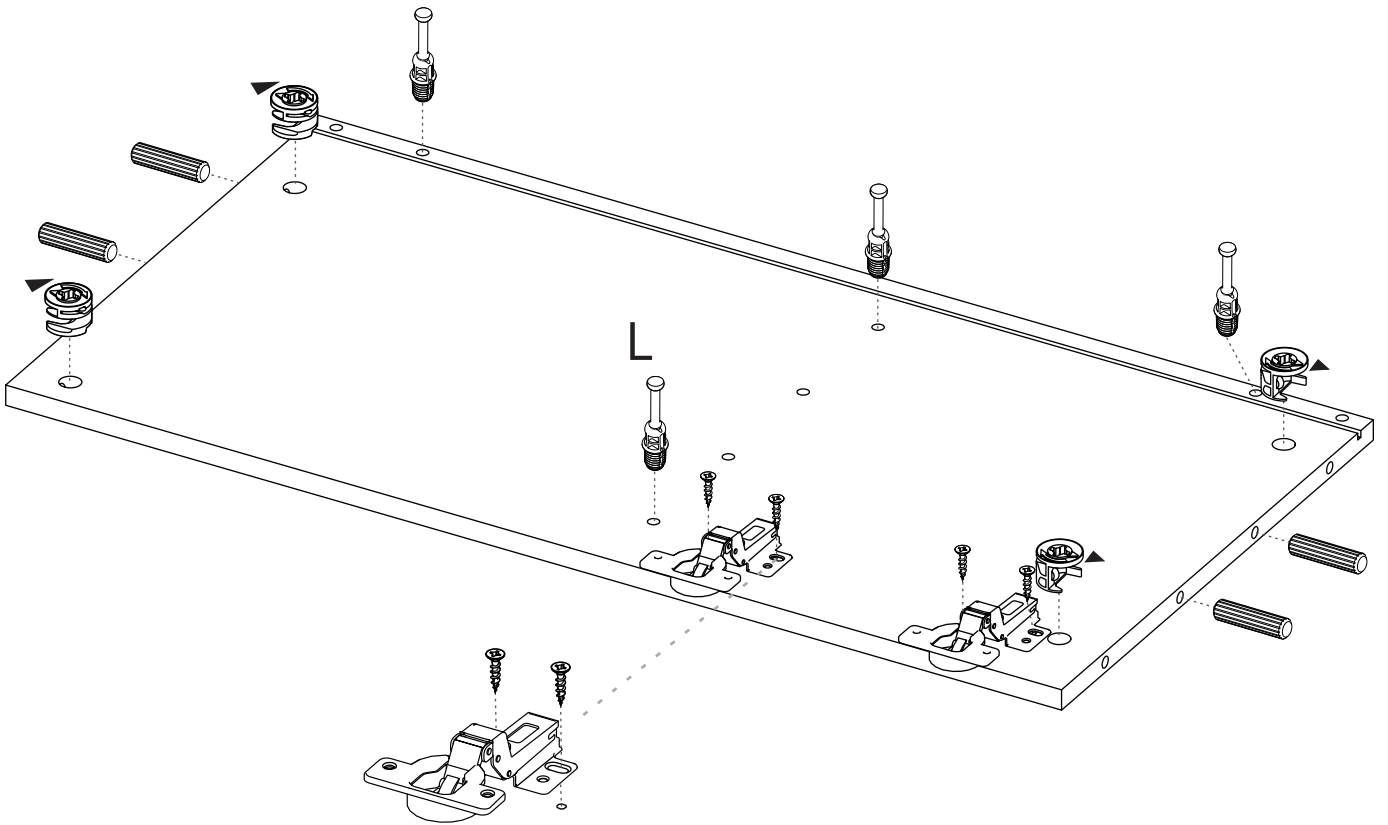
You can see the last page of this manual to have a full look of the panels of this cabinet.



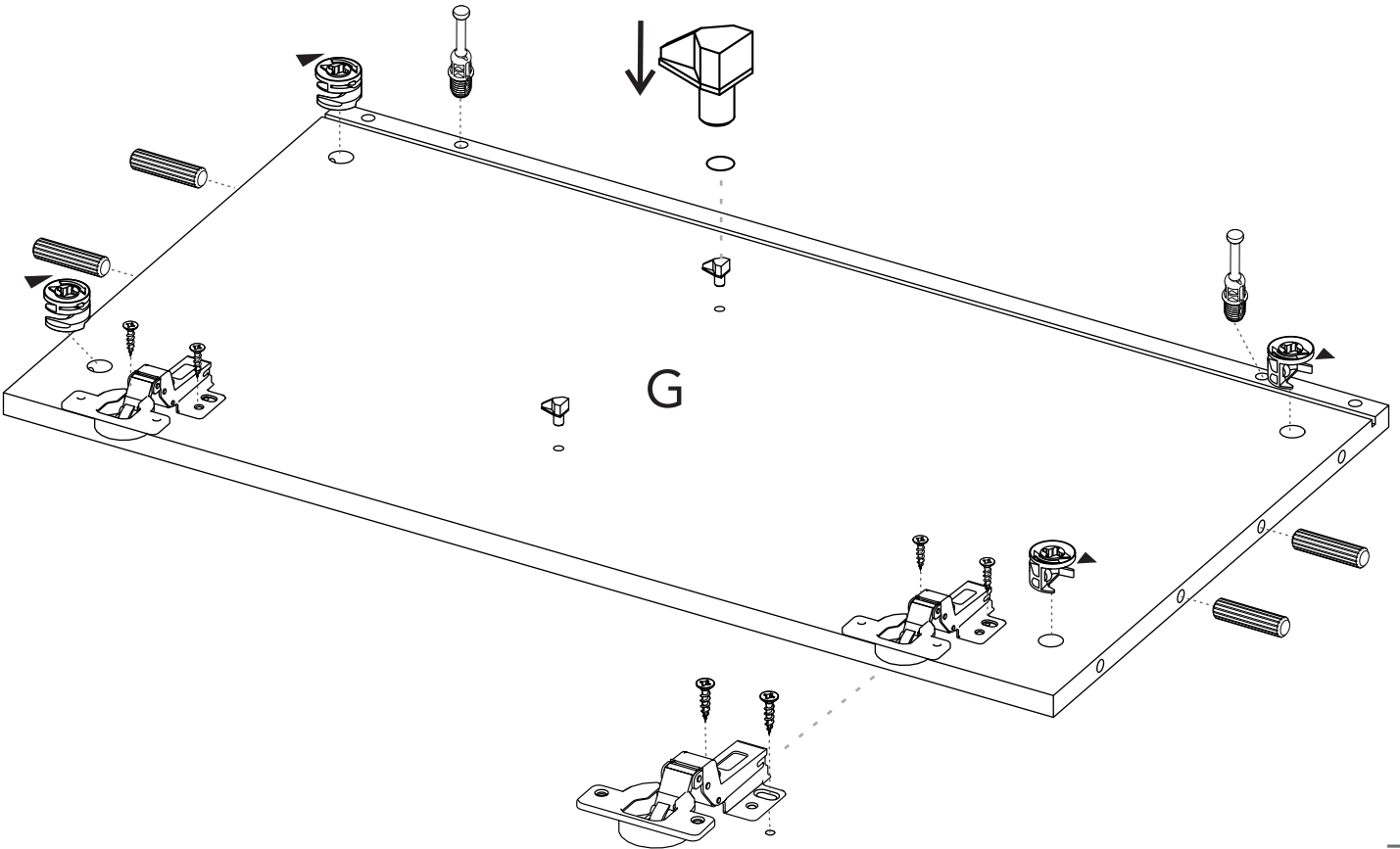
# 2



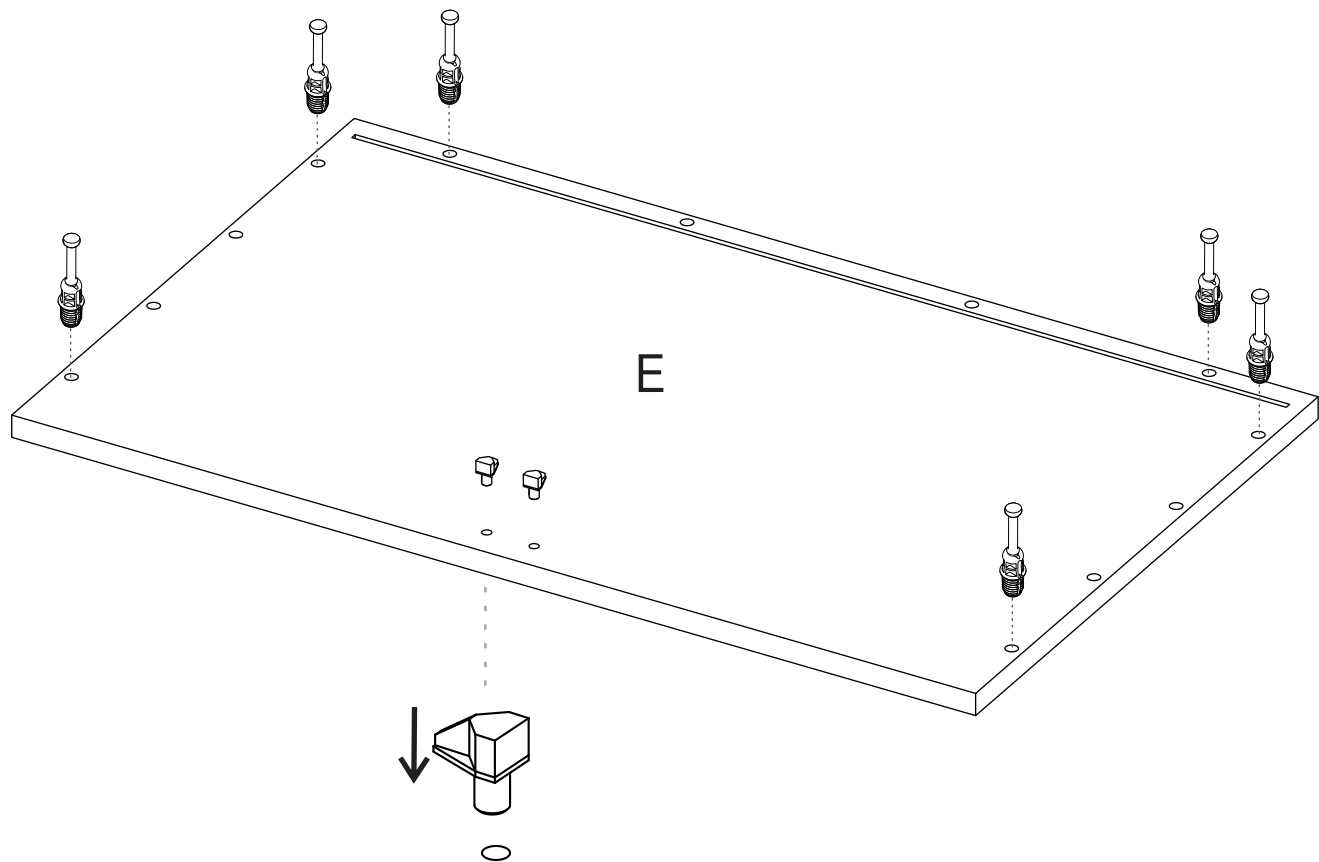
3



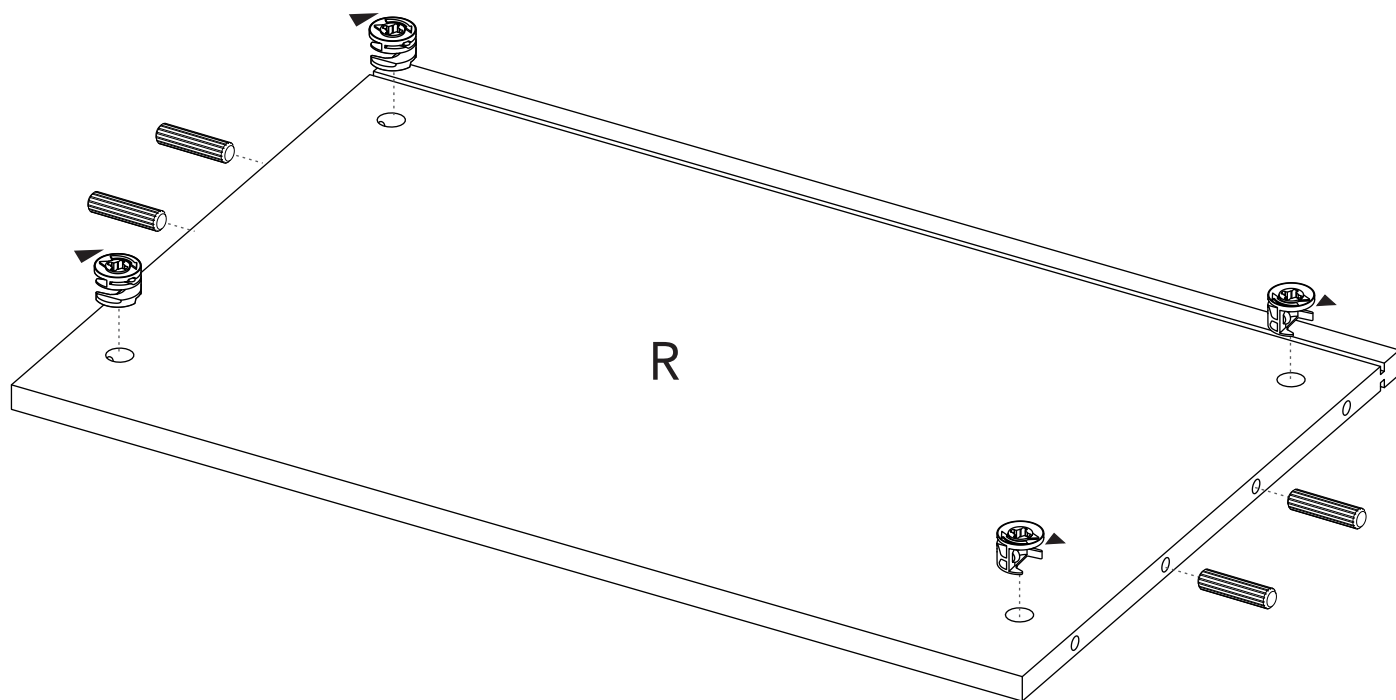
4



5

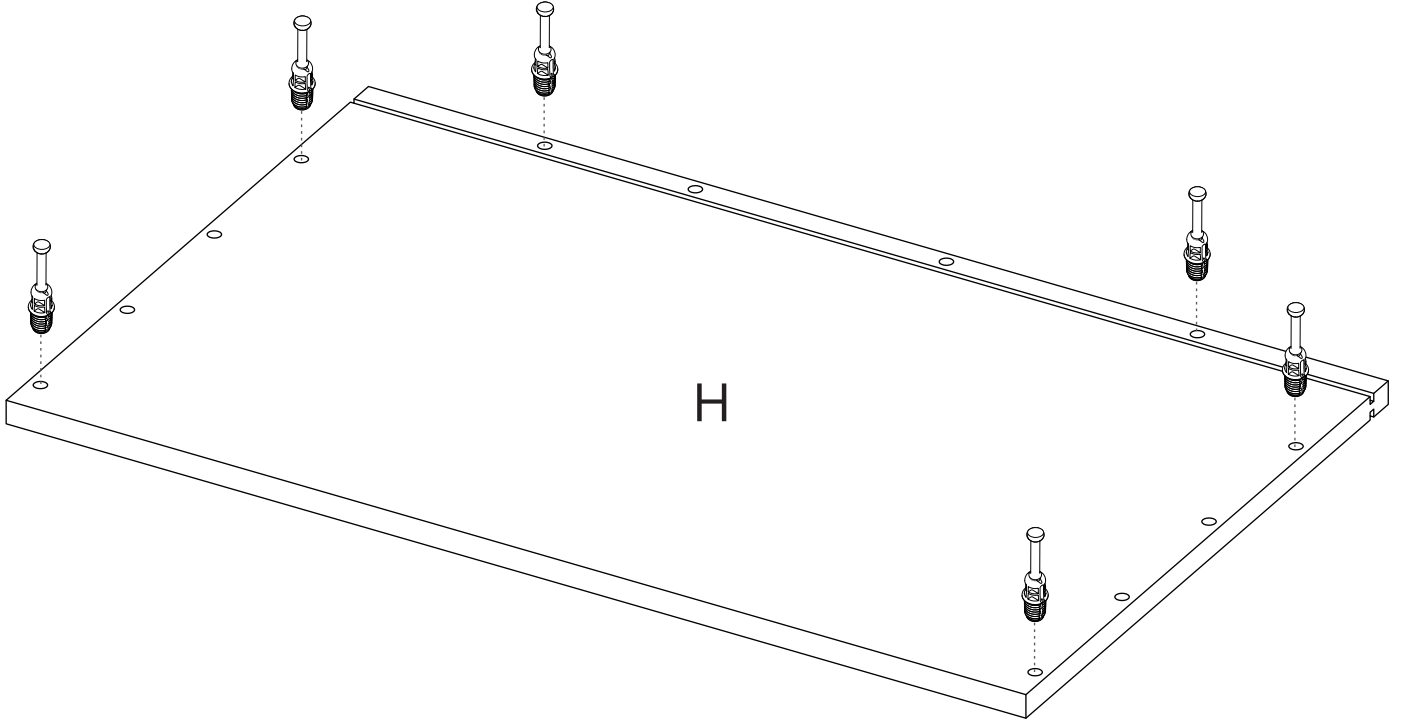


6

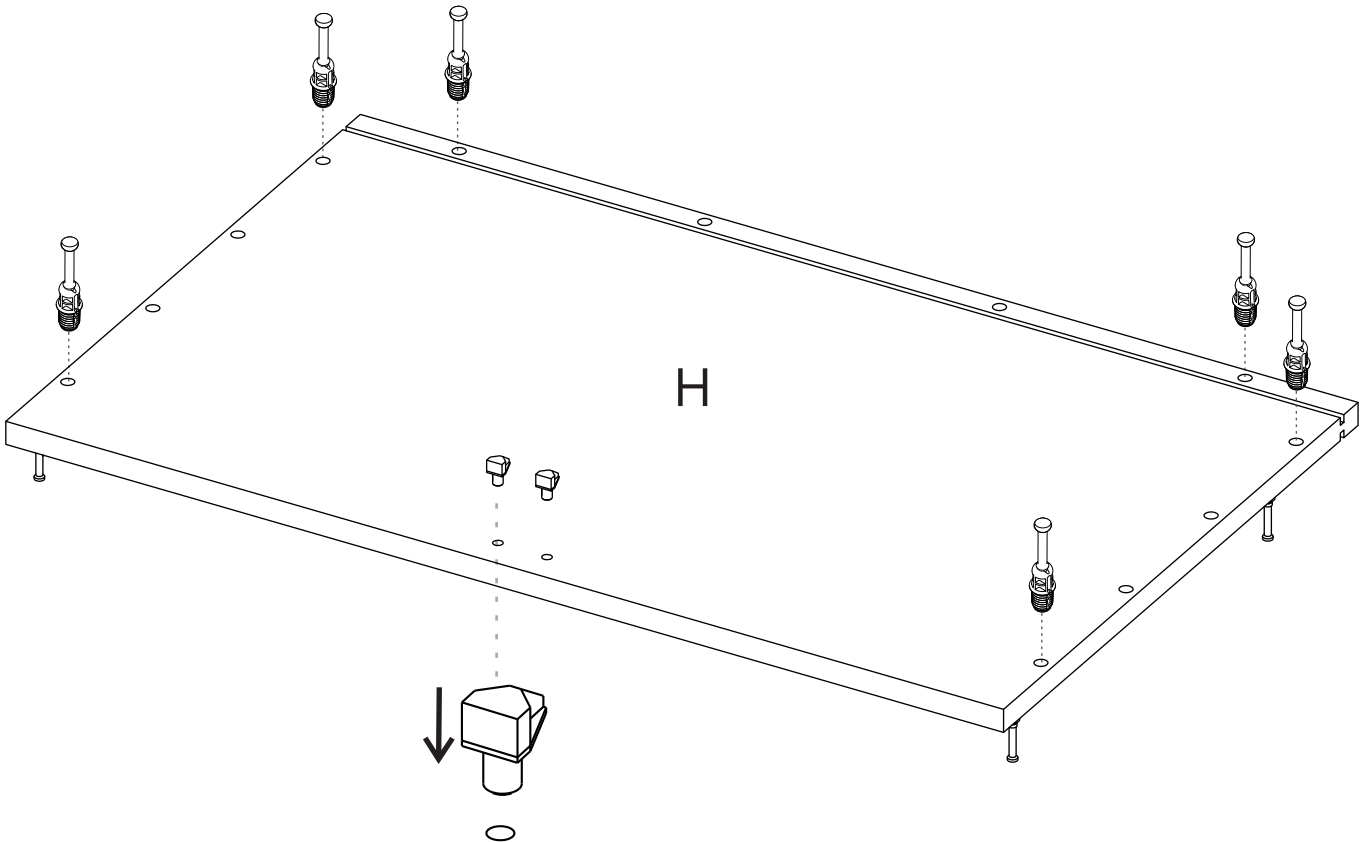




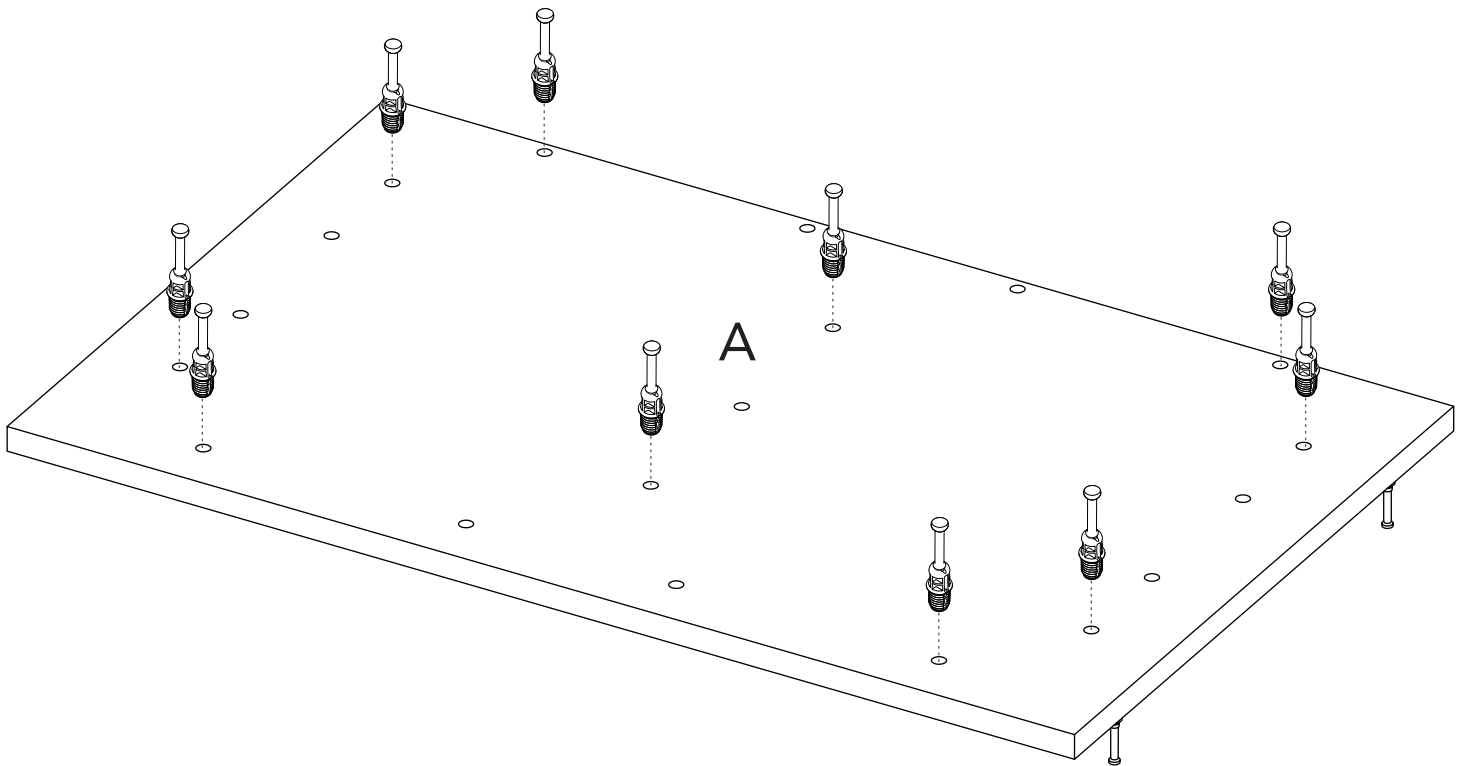
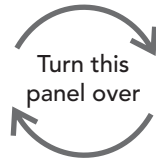
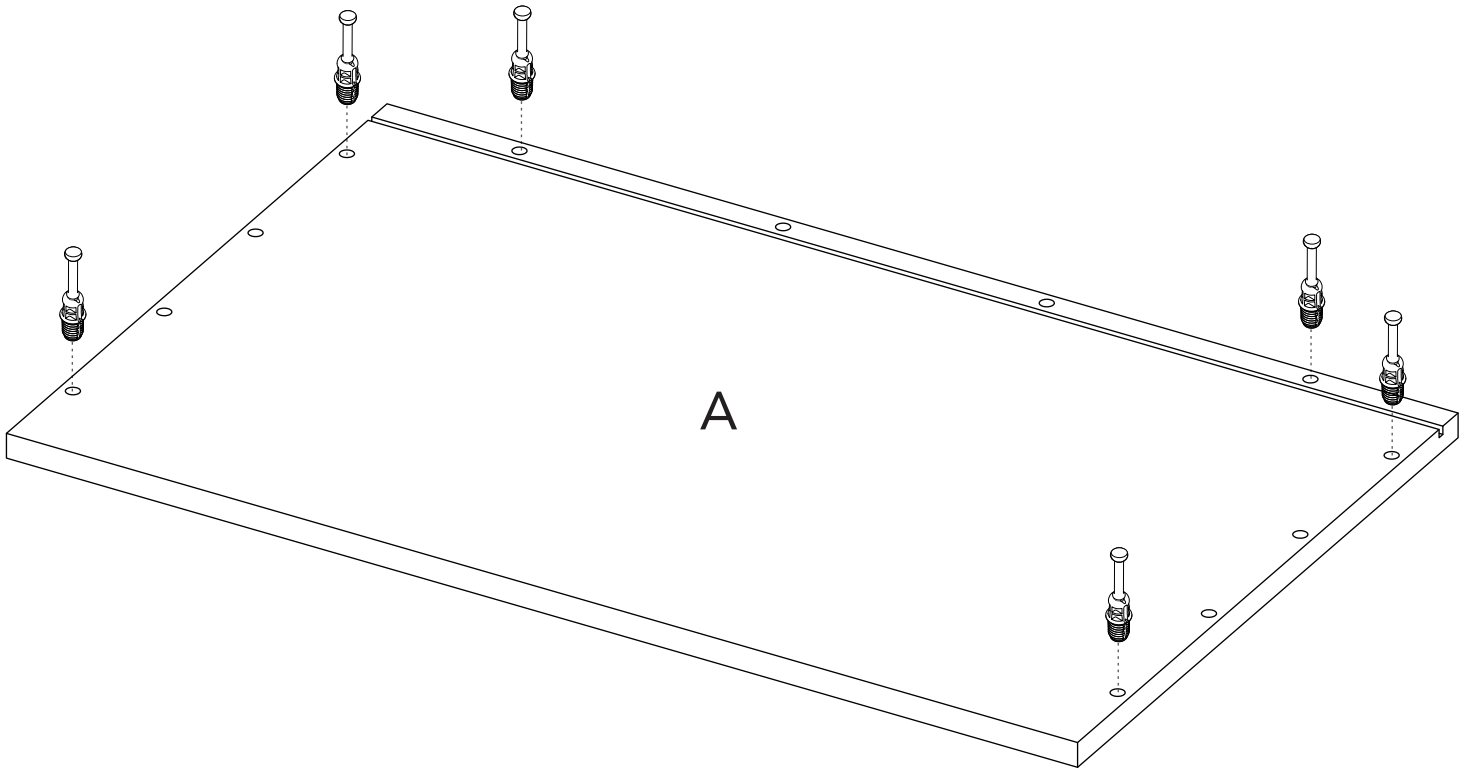
7



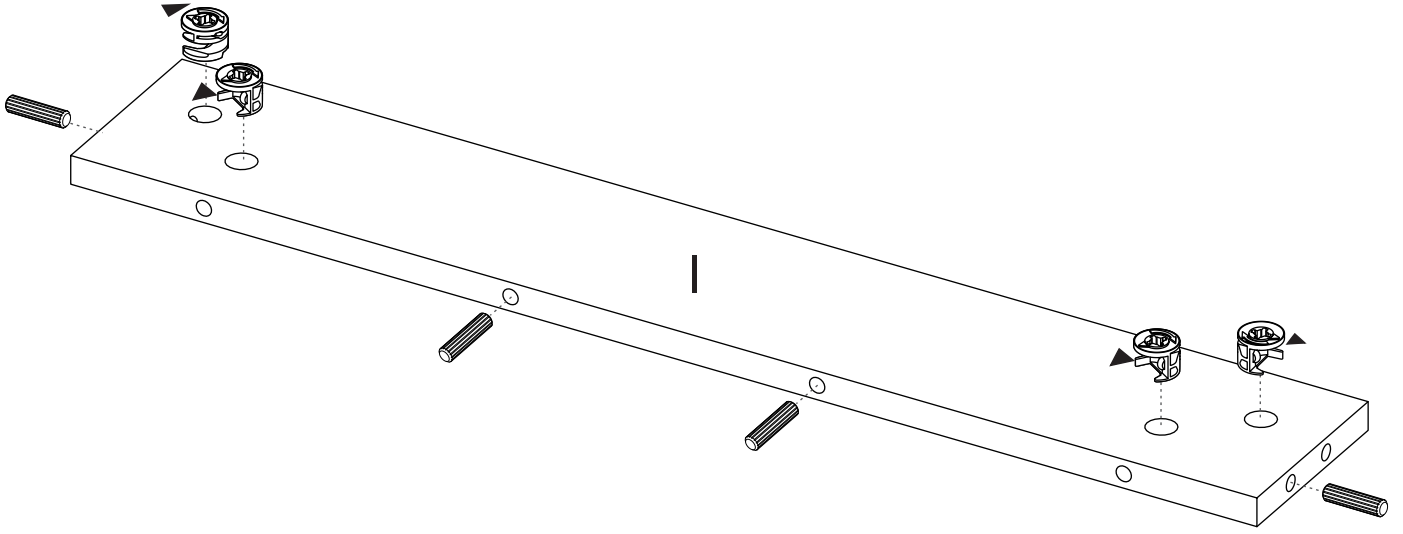
Turn this panel over



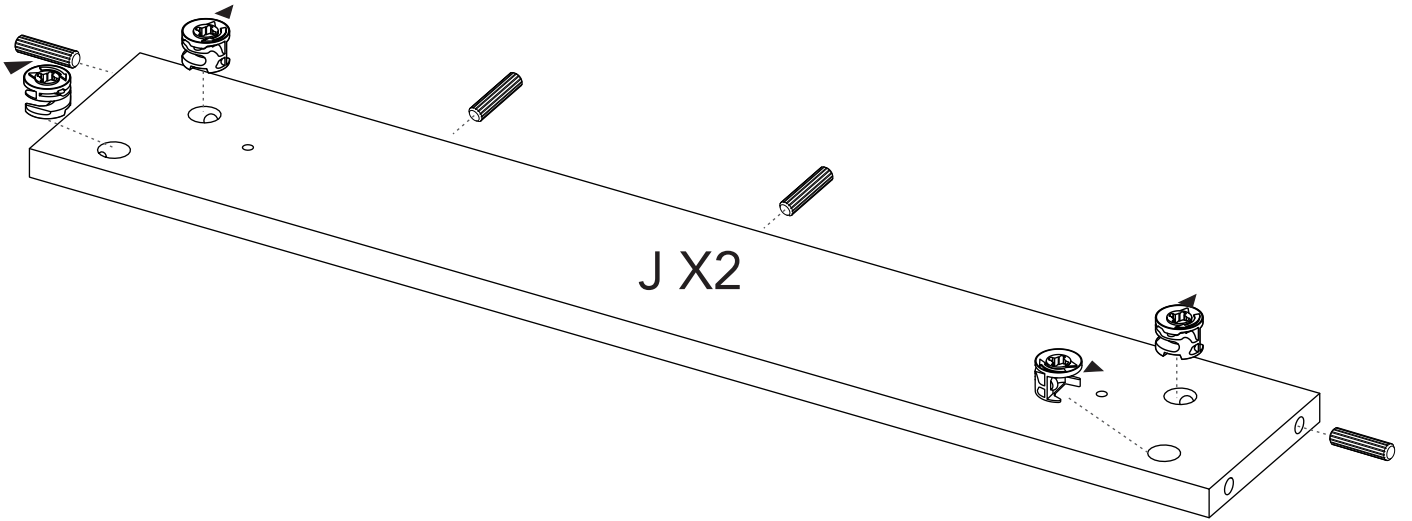
8



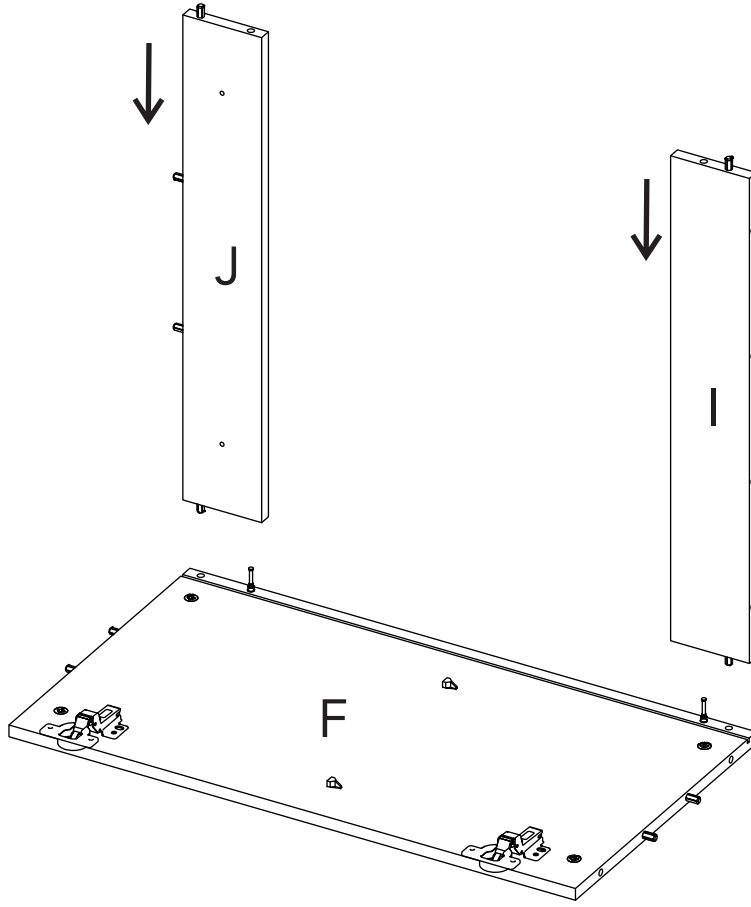
9



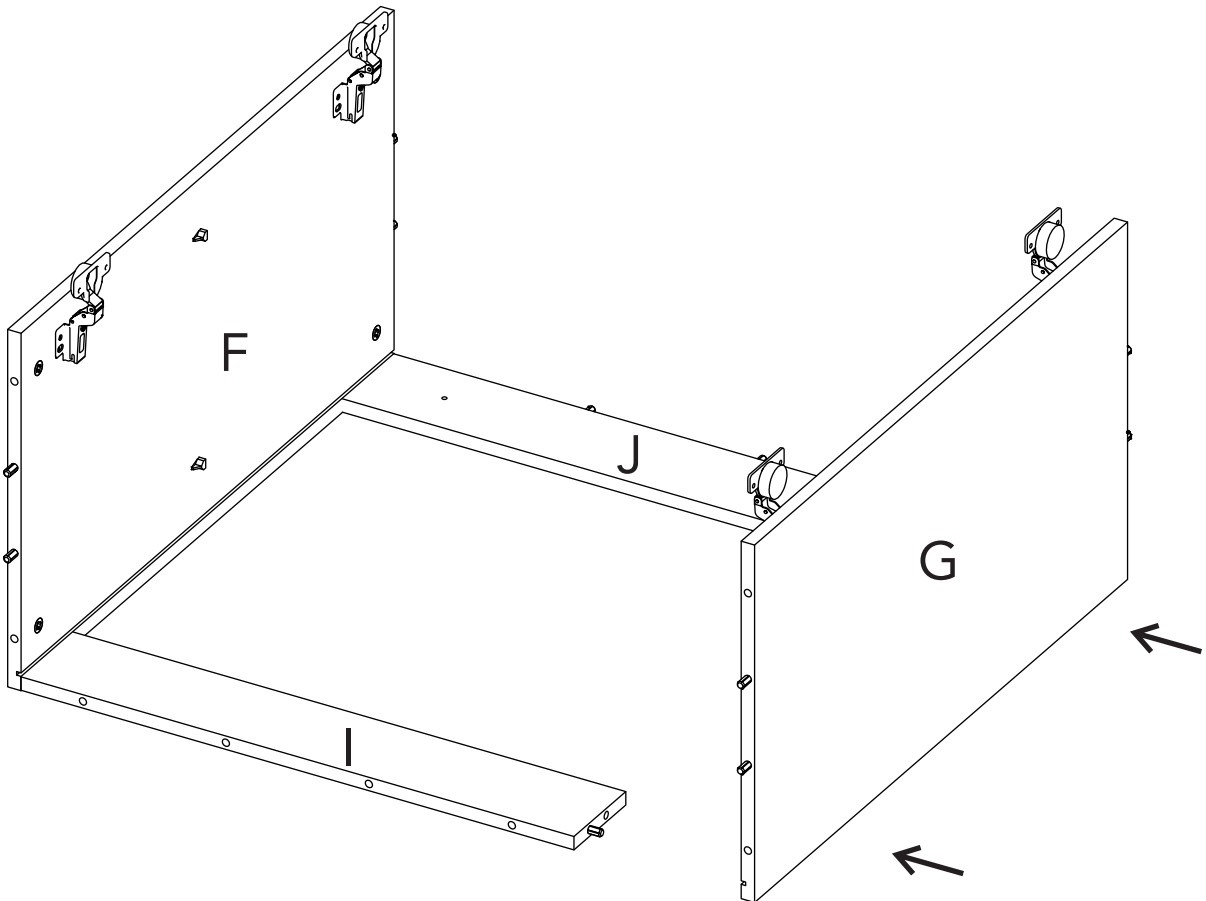
10



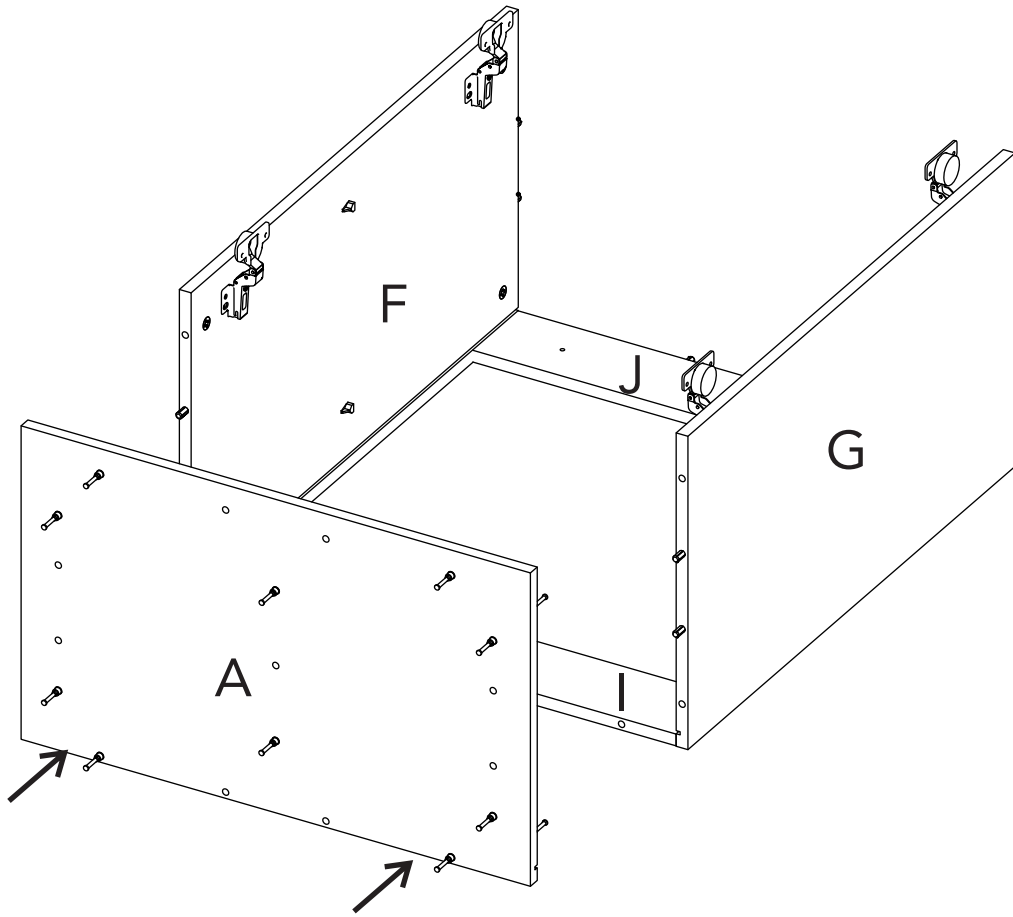
11



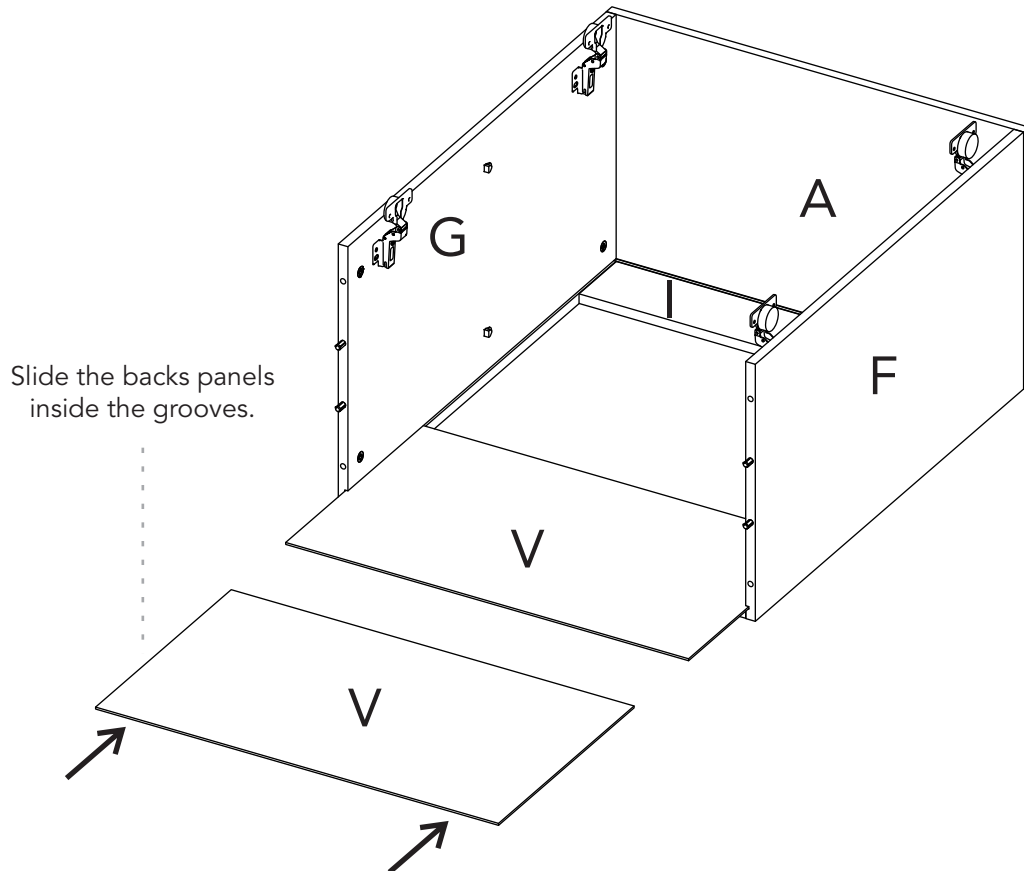
12



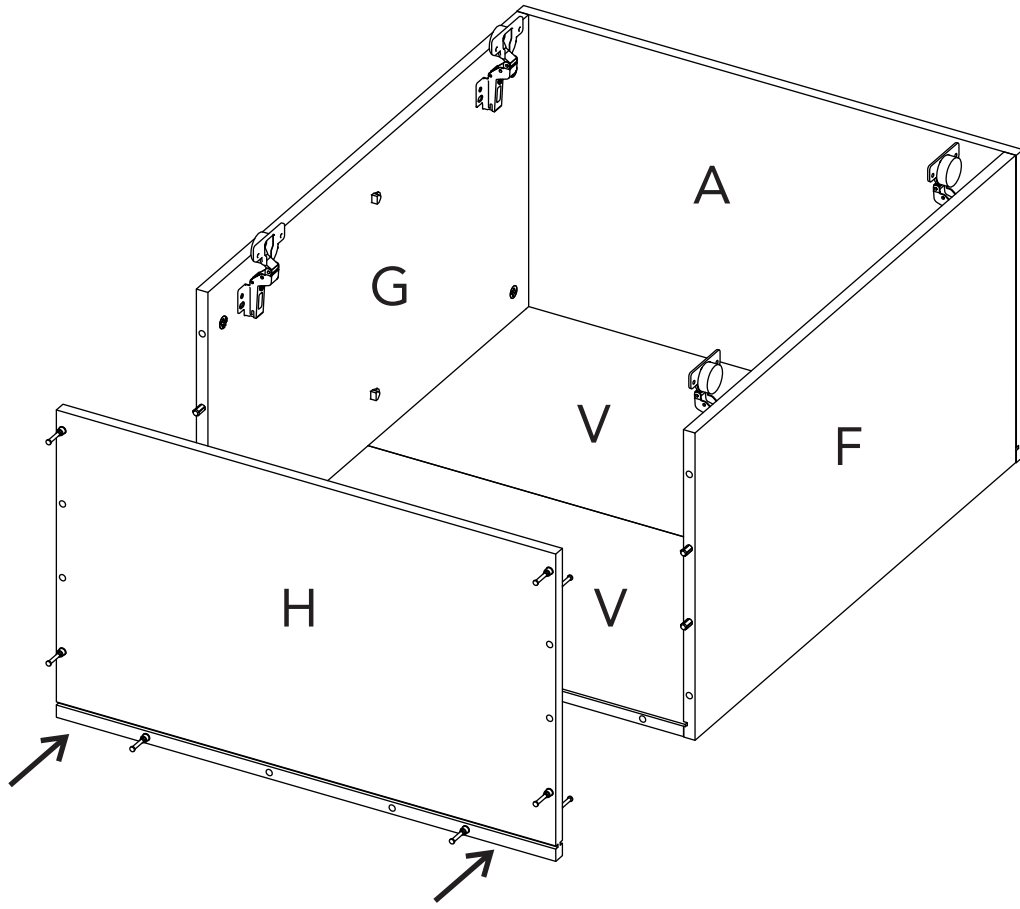
13



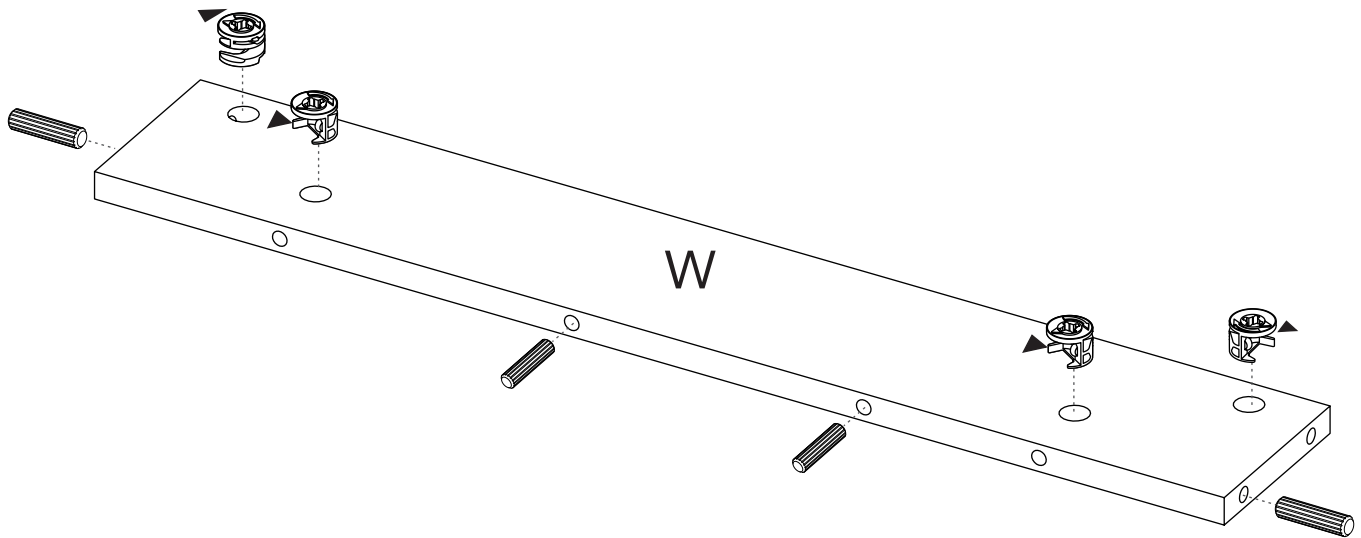
14



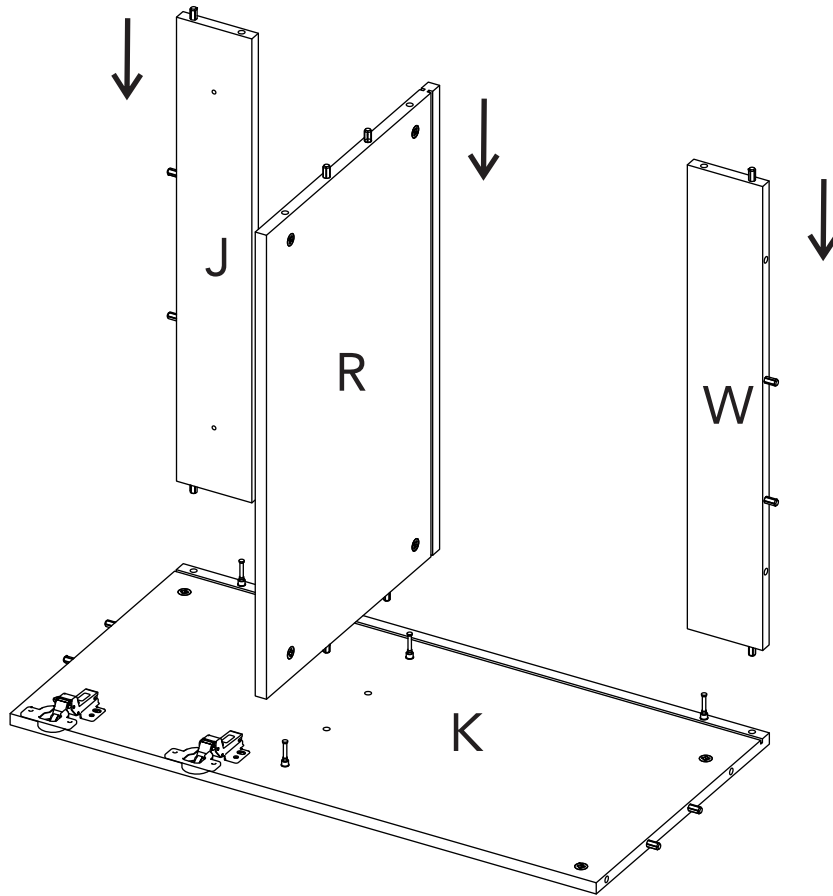
15



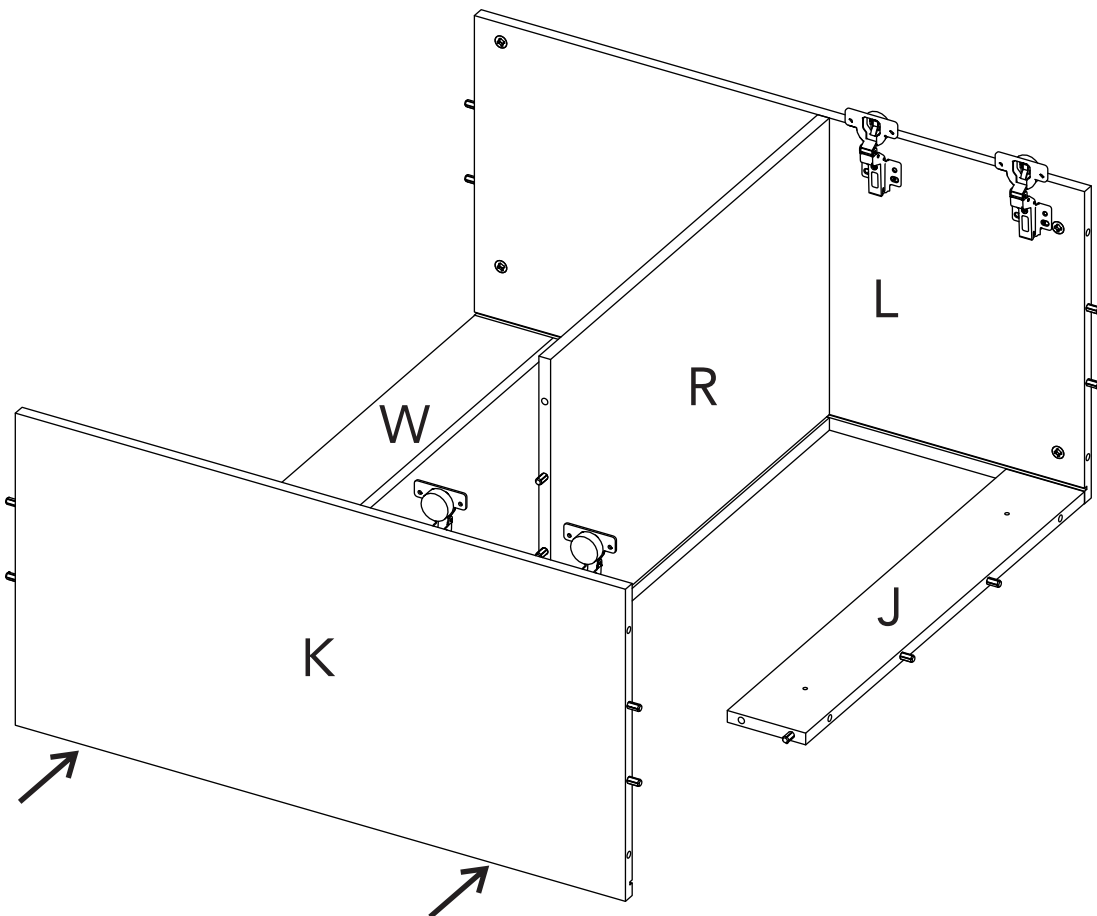
16



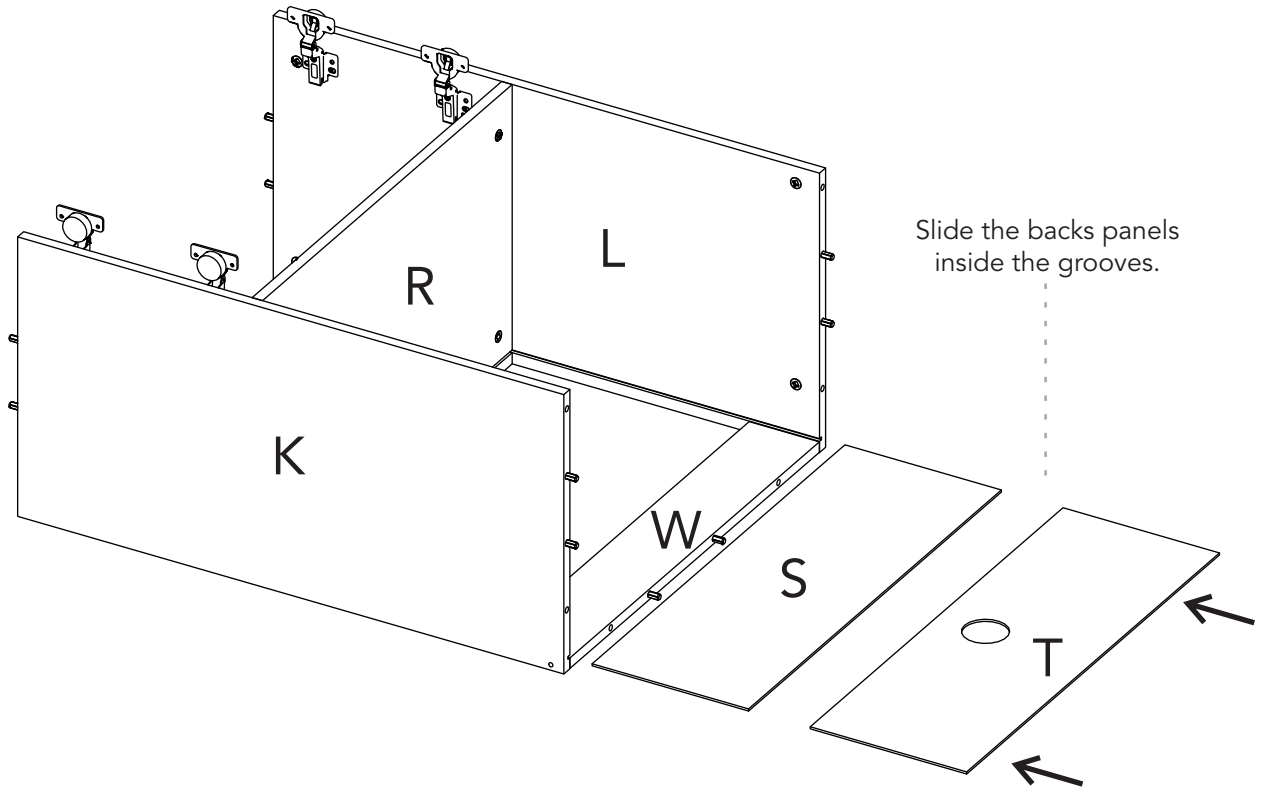
17



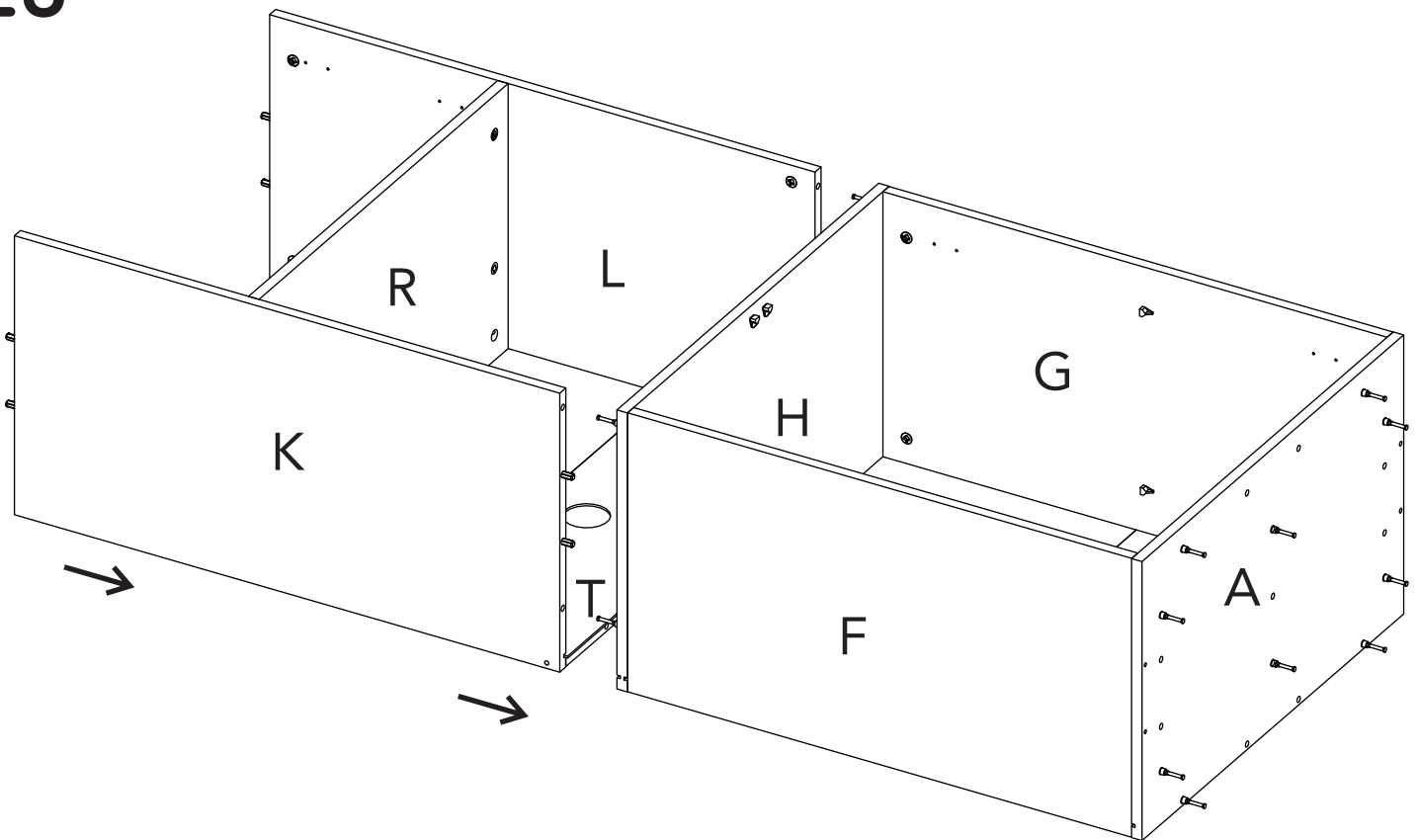
18



# 19

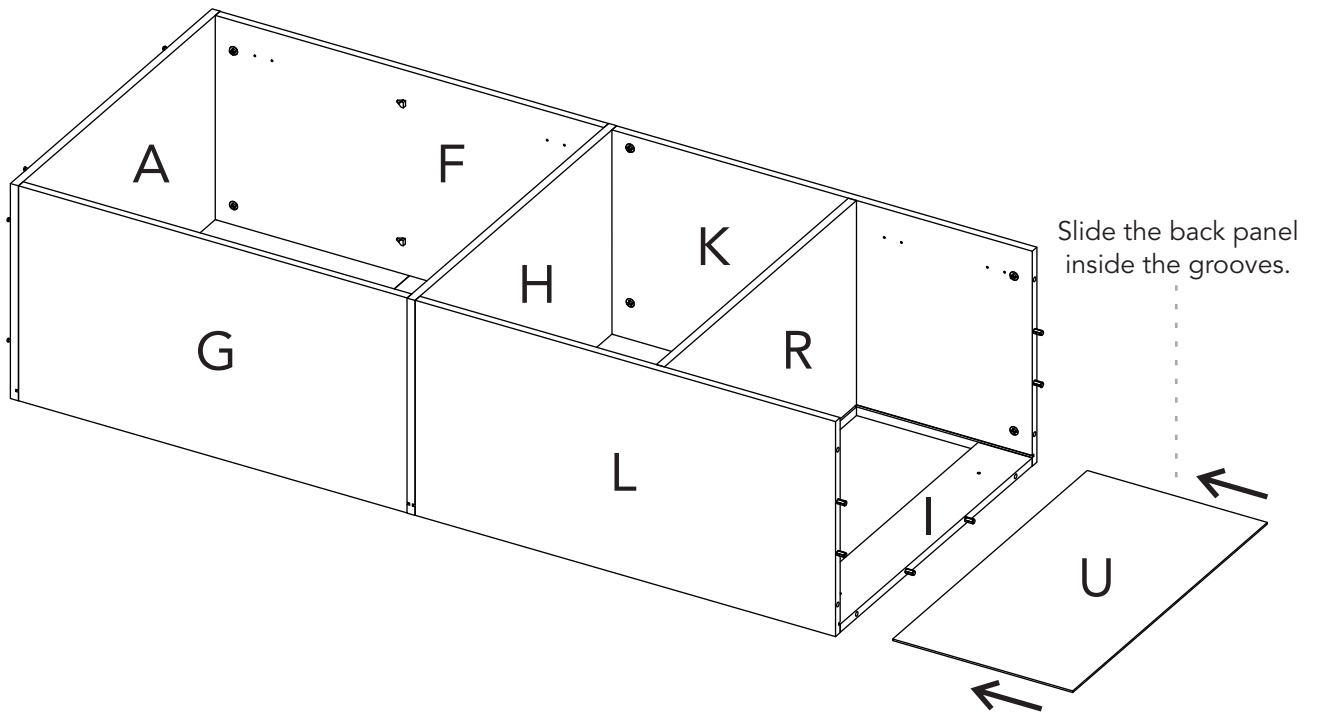


# 20

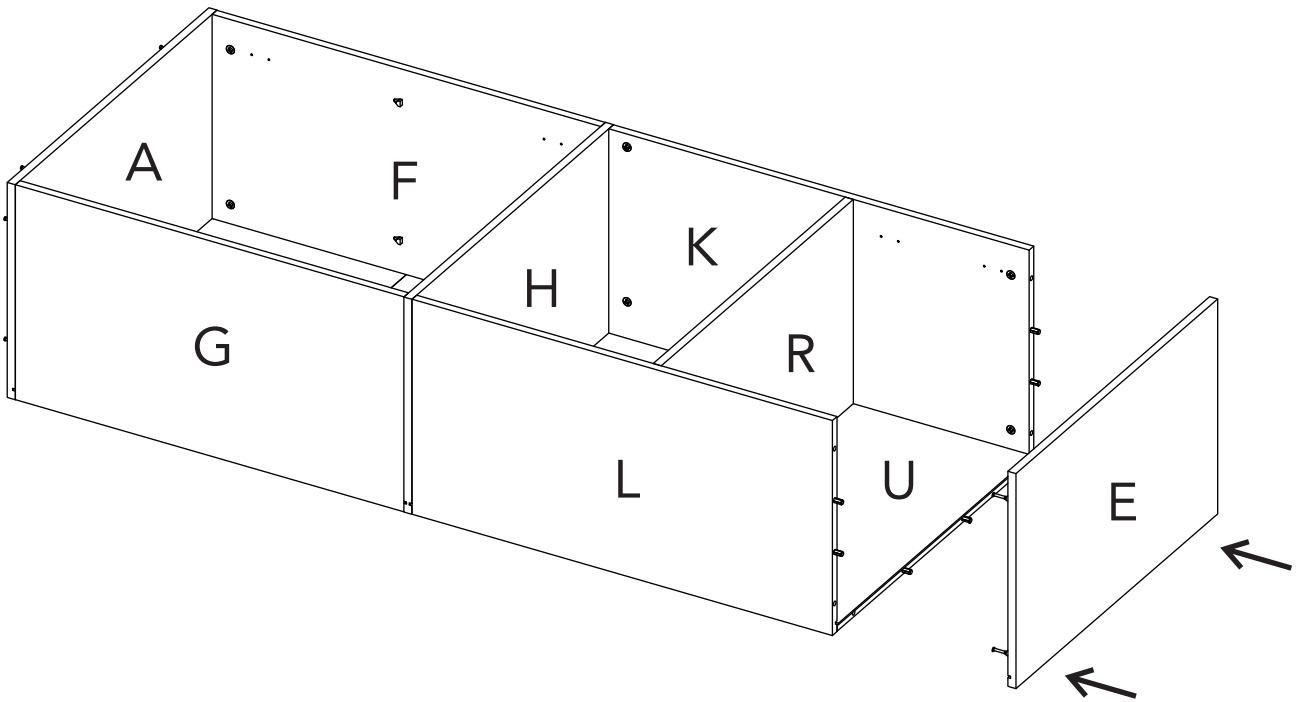




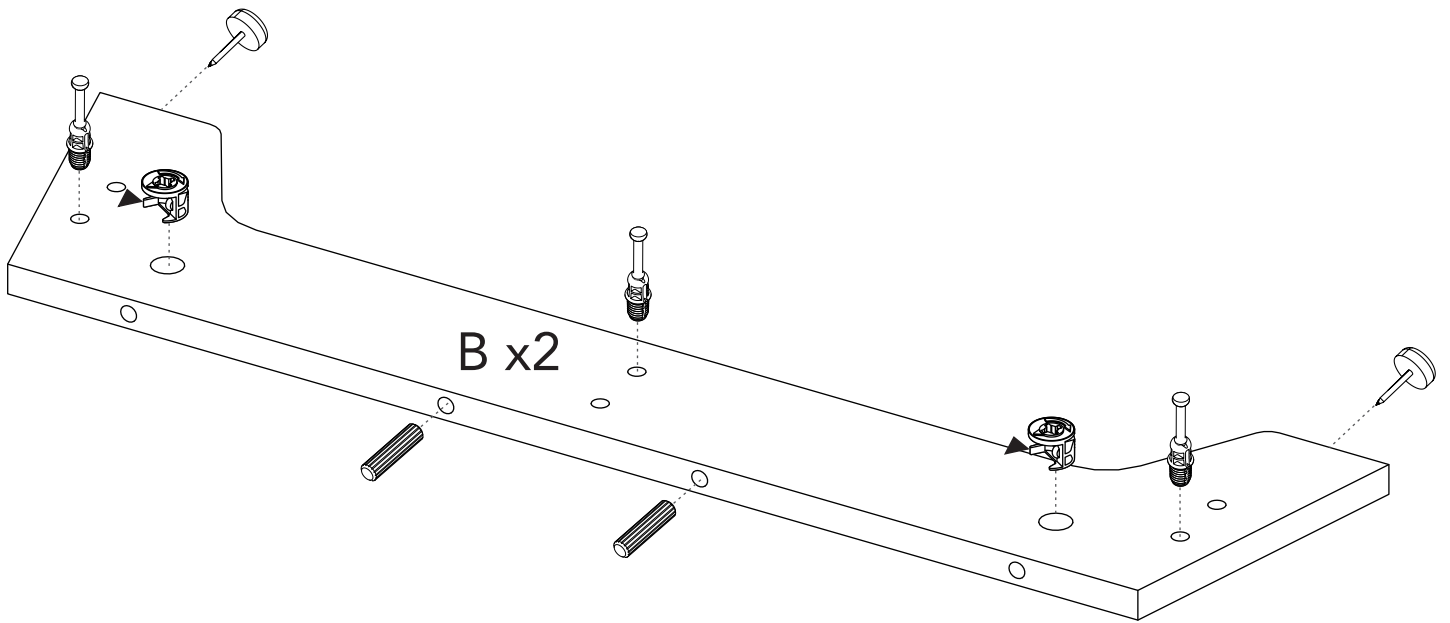
# 21



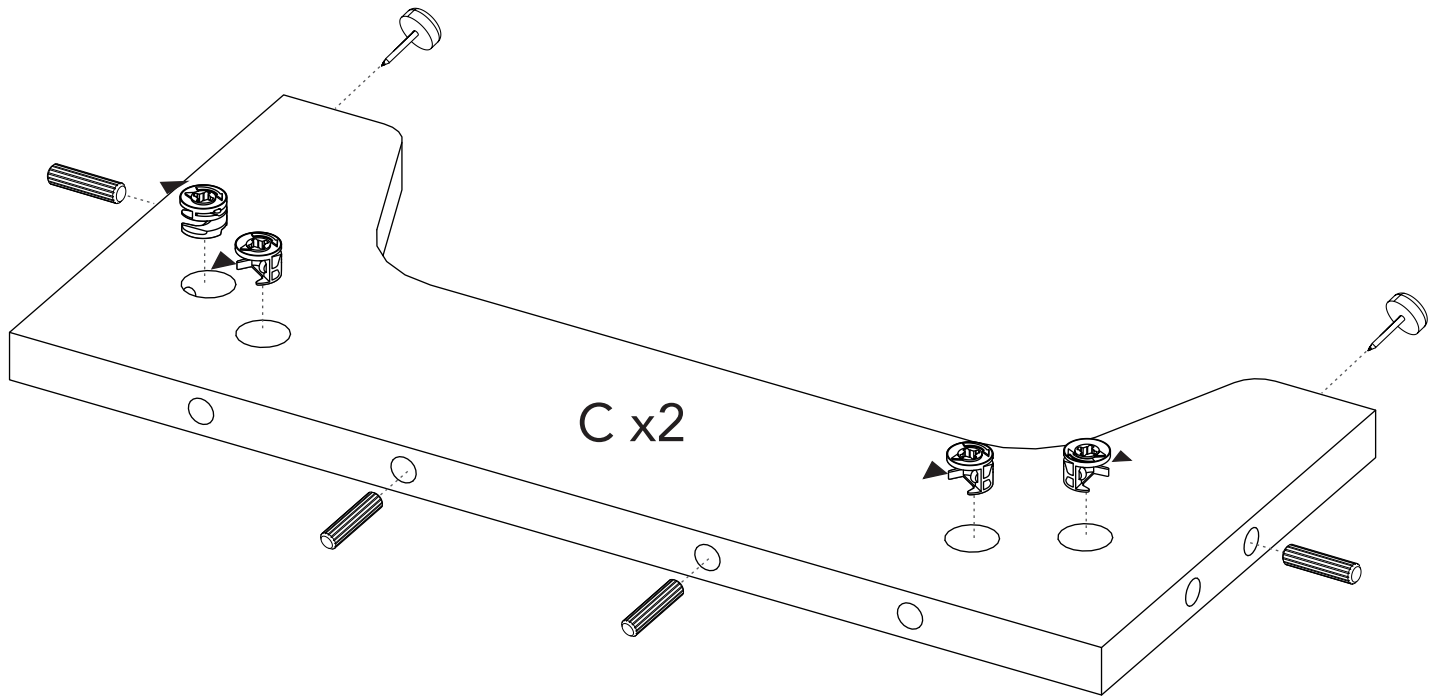
# 22



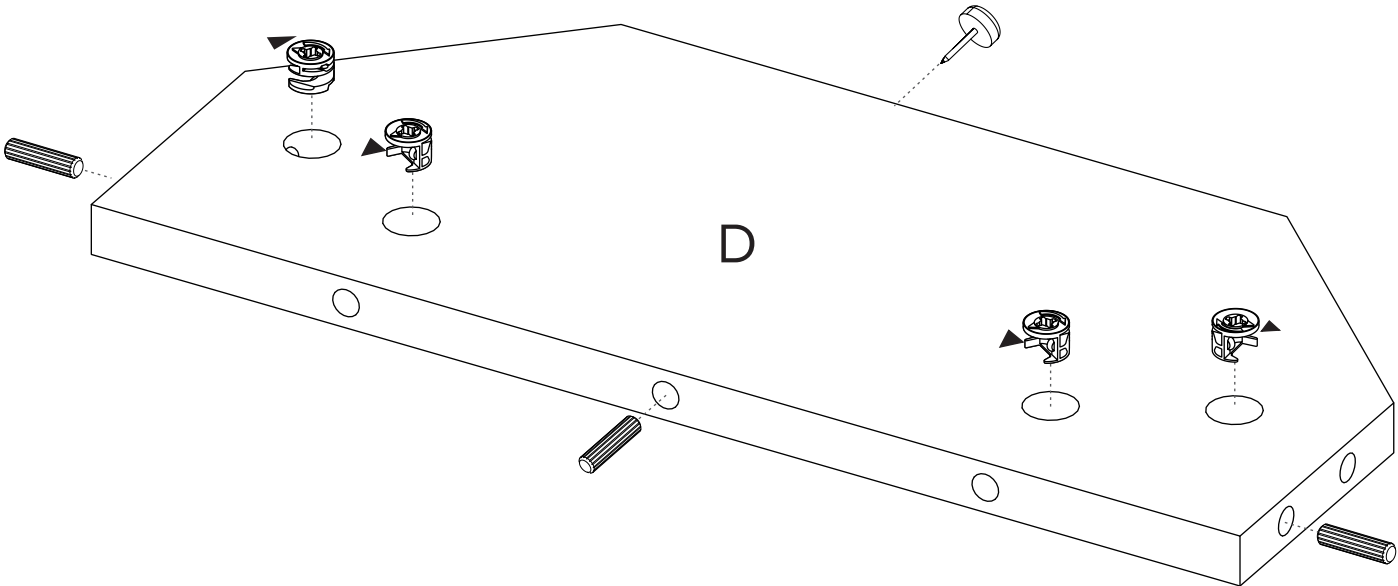
# 23



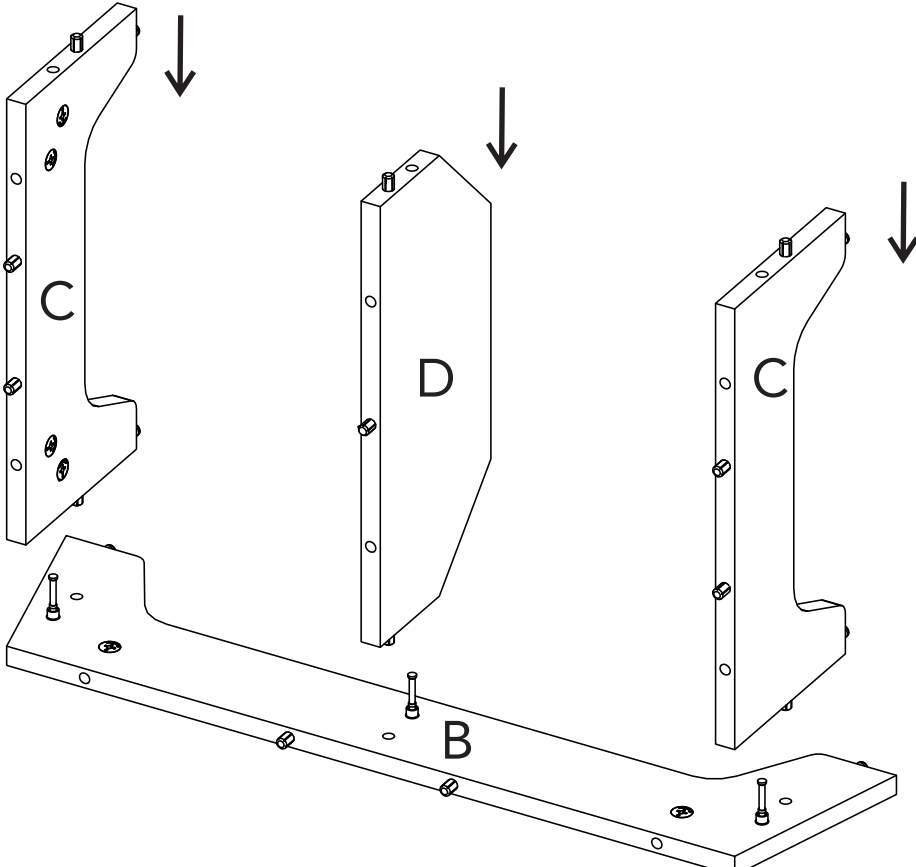
# 24



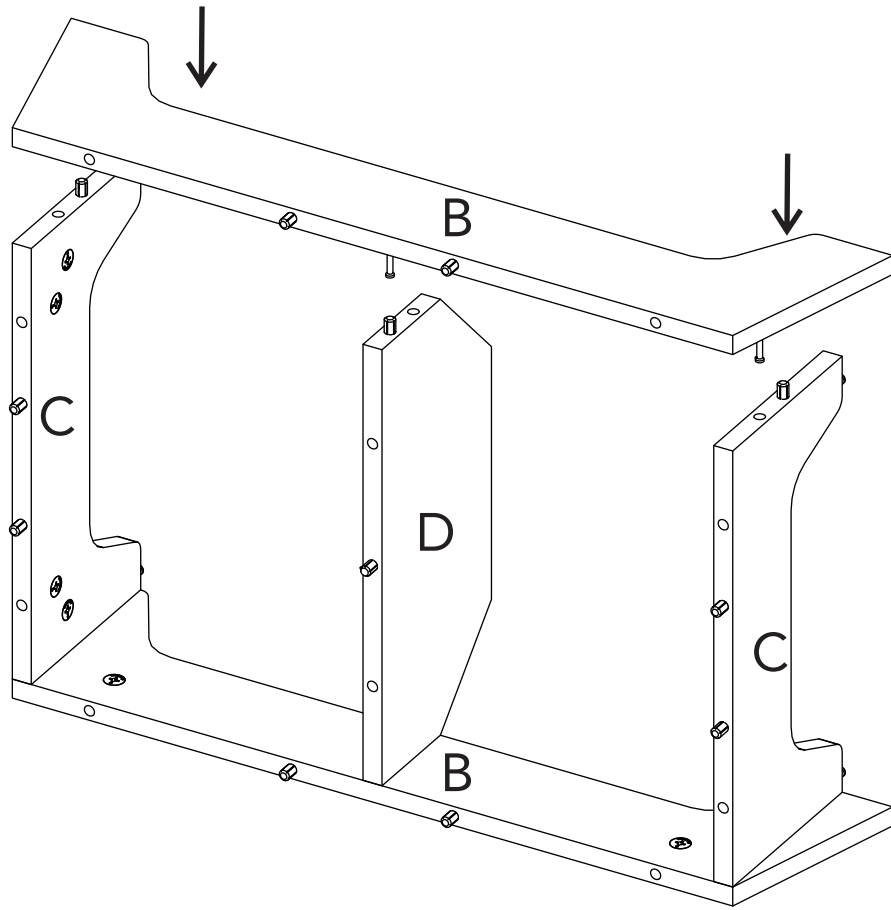
25



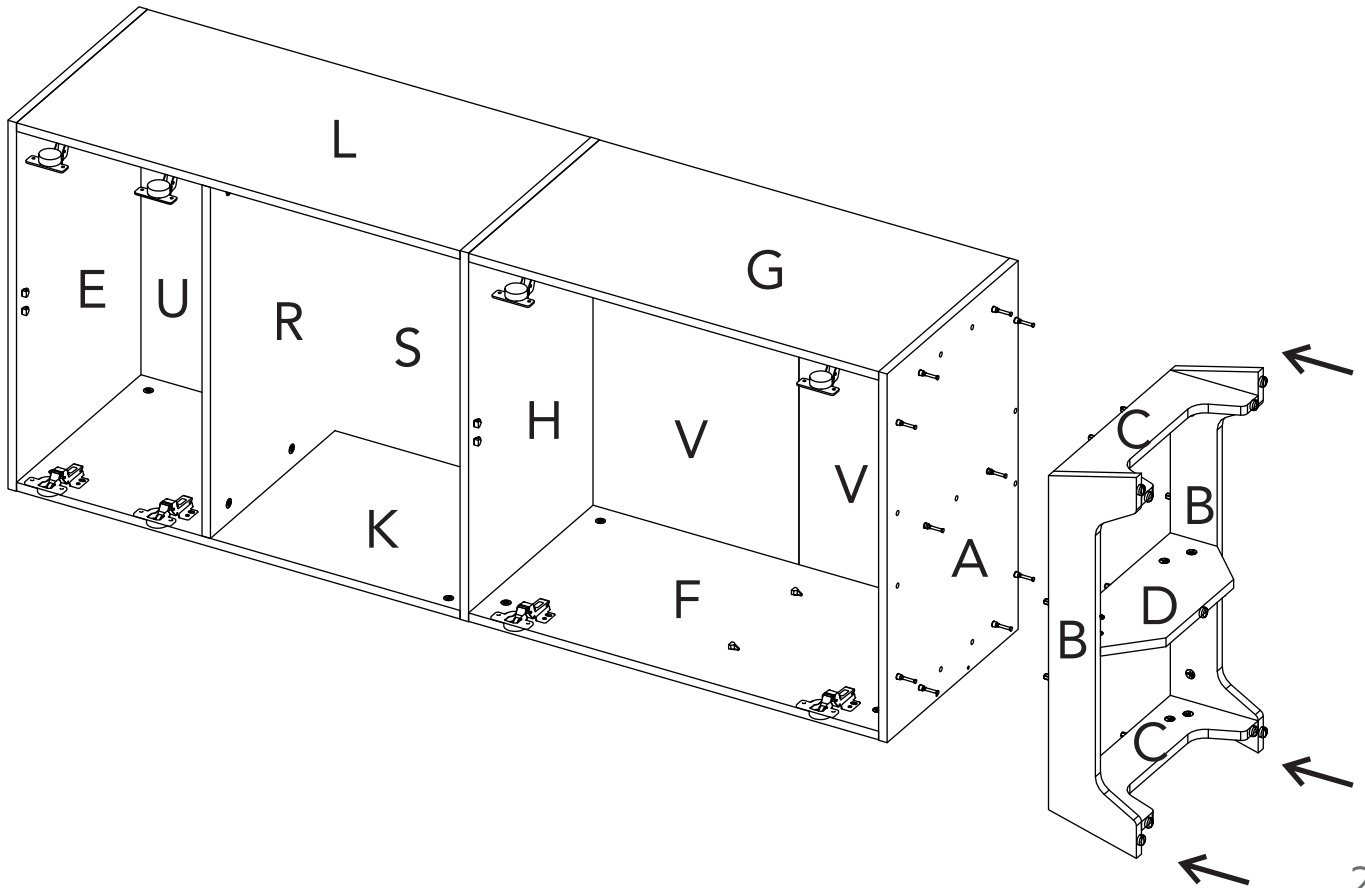
26



27

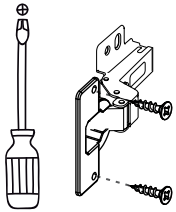


28

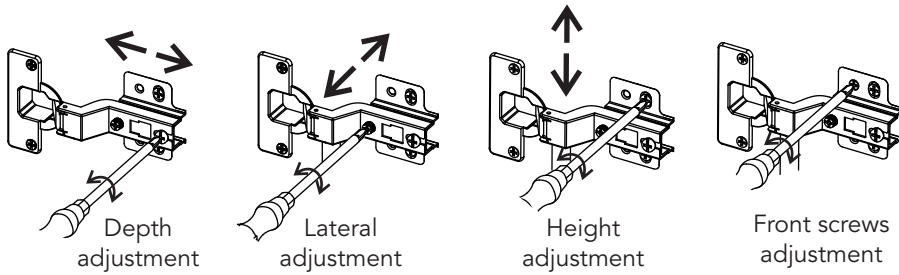
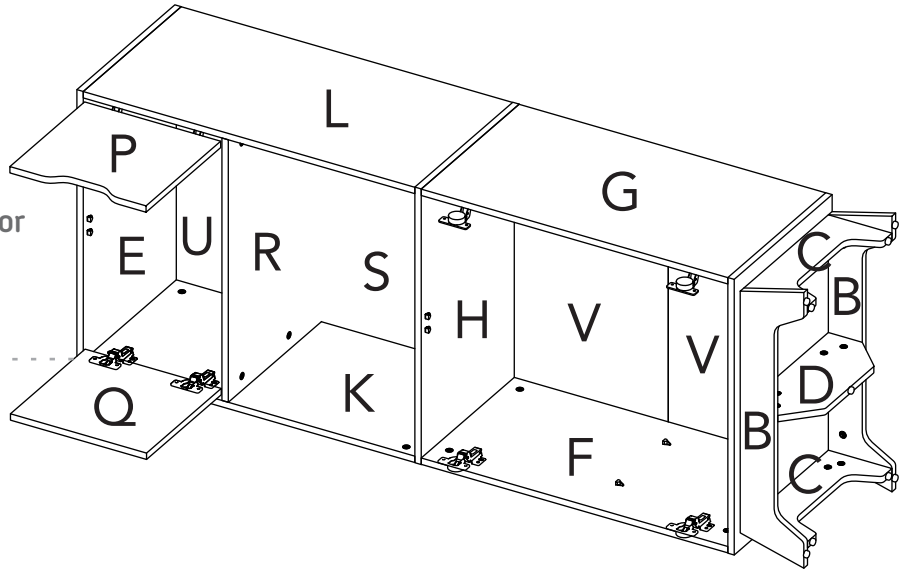


# 29

Assembling and setting up the door

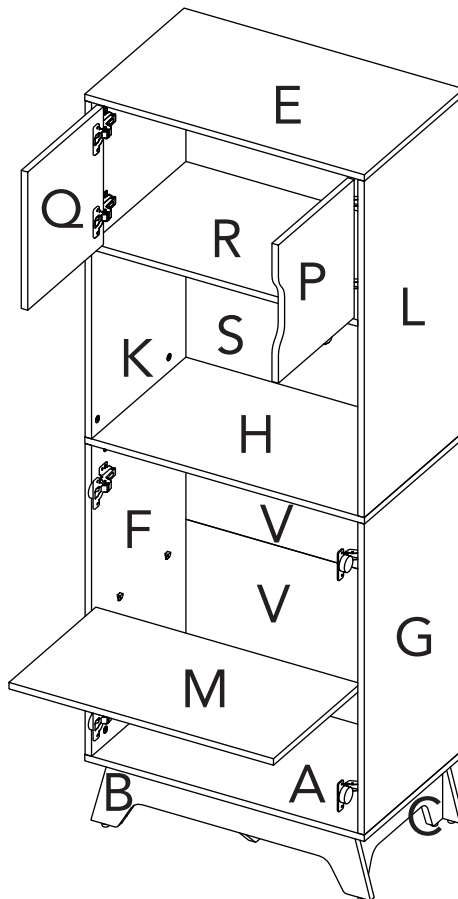


Hinge adjustment



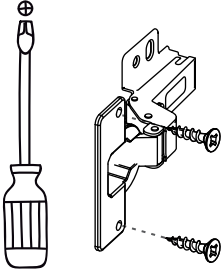
# 30

Slide the shelf inside the cabinet.

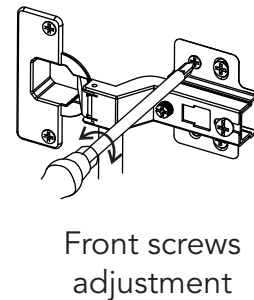
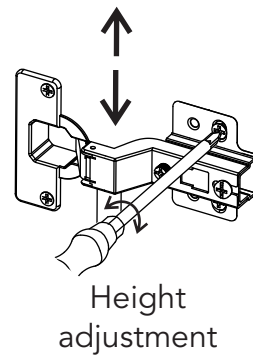
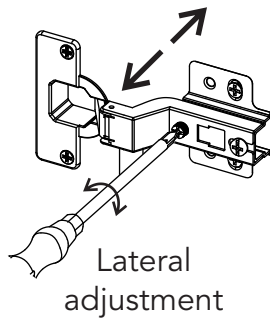
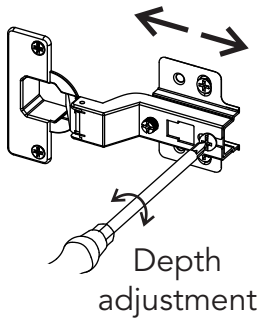
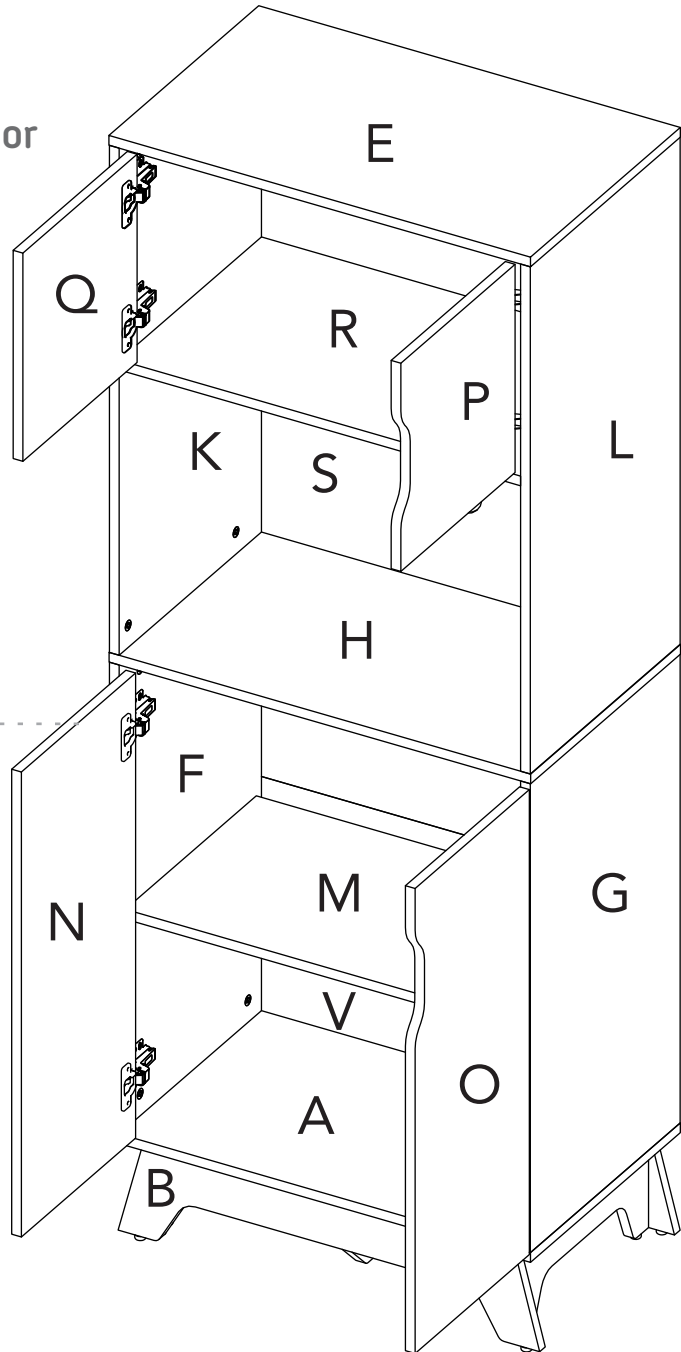


Turn over the cabinet  
very carefully!

## Assembling and setting up the door



Hinge adjustment



## Fix your cabinet to the wall

**1** On the wall, measure and mark the points shown below.



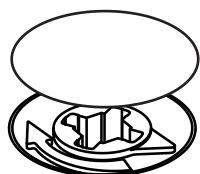
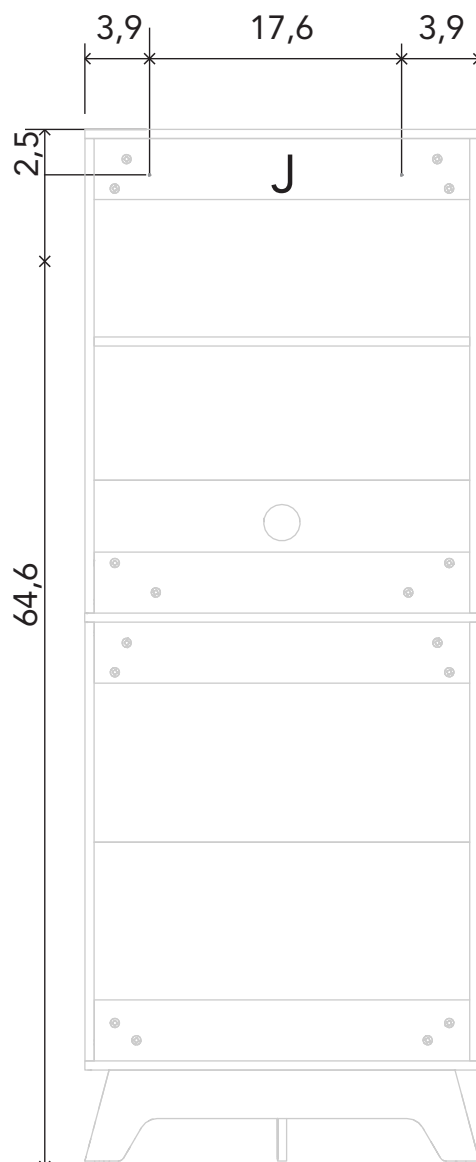
**2** Drill on the markings with a 5/16" drill bit.



**3** Insert the wall anchors inside the drillings.



**4** Place the cabinet and secure it with the screws.



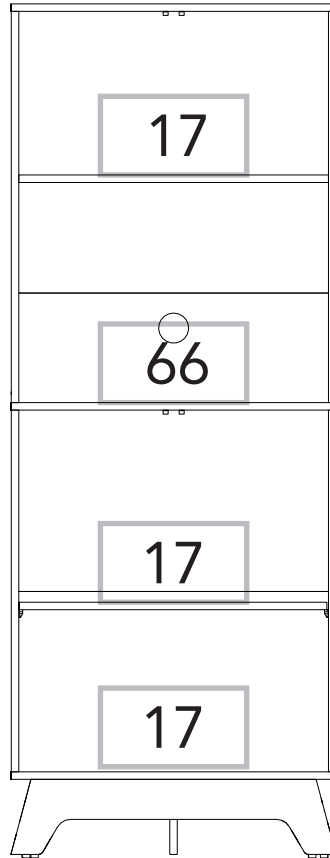
After adjusting all the Minifix cams, cover them up with the cover caps.

**A**

After finishing the assembly, lift off all the adhesive letters.

\*Dimensions in inches

# How much weight does my cabinet resist?



\*weight in pounds



**Congratulations!  
It's done**

**But don't go yet!**

There are some  
recommendations left for you  
to take care of your cabinet  
correctly from now on.

**SUPER IMPORTANT!**

We suggest fixing the cabinet to the  
wall, so we can avoid the cabinet  
tipping and harming anyone.  
Be specially careful with the kids.



# WARRANTY POLICY

## PÓLIZA DE GARANTÍA

Furniture has a 3 year warranty coverage in wooden parts and 1 year warranty coverage in hardware pieces since its manufacturing date, which you can see in the lot number printed on the product box and the assembly instructions leaflet.

Warranty covers materials and workmanship imperfections which impair the assembly or correct functioning of the cabinet.

This warranty is not valid if the defects or imperfections are caused by the incorrect following of the assembly instructions, warnings and recommendations, misuse, intentional damage, fire or flood, or after modifications or any kind of alteration, or repaired by someone not authorized by Furniture, when it's been assembled 3 months after the date of purchase. These defects MUST be reported before the warranty coverage period ends. Once the product has been assembled, the company will not be responsible for defective and/or damaged parts.

This warranty is ONLY valid for the ORIGINAL PURCHASER, it doesn't apply if the product has been resold, rented, etc.

TUHOME Furniture will take no liability for incidental or consequential damages caused to or by the product (This may not apply in your state).

To make this warranty valid you must write to our customer service email describing the product defect, lot number and submitting your sales receipt or proof of purchase, or contact us at our customer service line. Replaced parts will be under the product's original warranty coverage period. Damaged parts will become property of the company.

There are no other warranties applicable to this product.

# Taking care of your cabinet:

- Do not paint the cabinet.
- The cabinet it's exclusively for indoor spaces. Do not expose it to the direct sun.
- Clean the metallic hardware with a dry cloth.
- DO NOT overload the cabinet (see suggested loads)
- Do not hit or hammer the cabinet (only when indicated here).
- Clean it with thinner, a soft soap solution or simply a damp cloth.
- Don't drag the cabinet, lift it up with other people.
- Avoid direct contact with water, fire or exposing it to high heat.

## Cabinet panels

