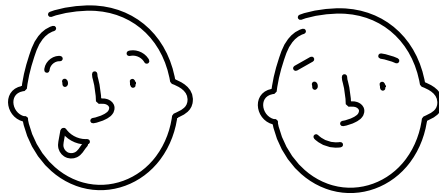
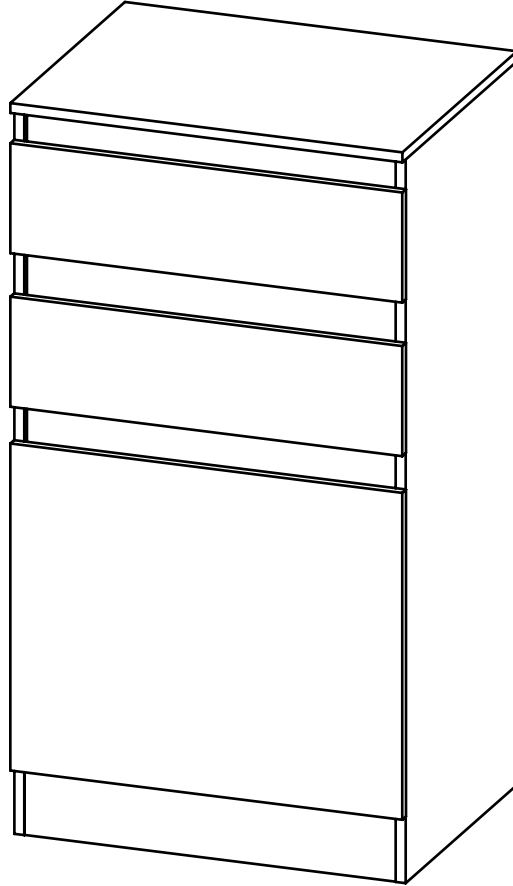


ASSEMBLY INSTRUCTIONS

# Kamelot Dresser With Jewlery



It's much better if you get some company for this!

If any parts are broken or missing please contact us at:

Our customer service team will provide you help  
to resolve any issues immediatly

REF./SKU.

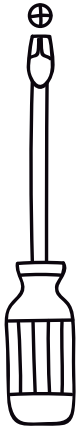
LOT N°

# Index

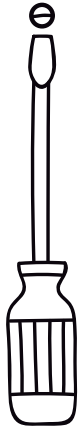
What will you need?	2
Where should you start?	3
What's in the hardware bag?	4
How do the dowels and Minifix system work? (We also explain what they are)	5-6
Let's start assembling!	7
How much weight does your cabinet resist?	20
Our last recommendations for taking care of your cabinet	21

## What will you need?

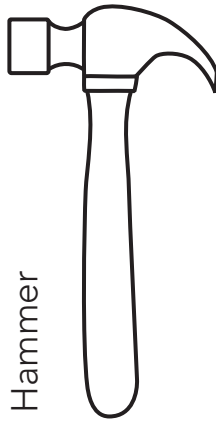
Phillips head screwdriver



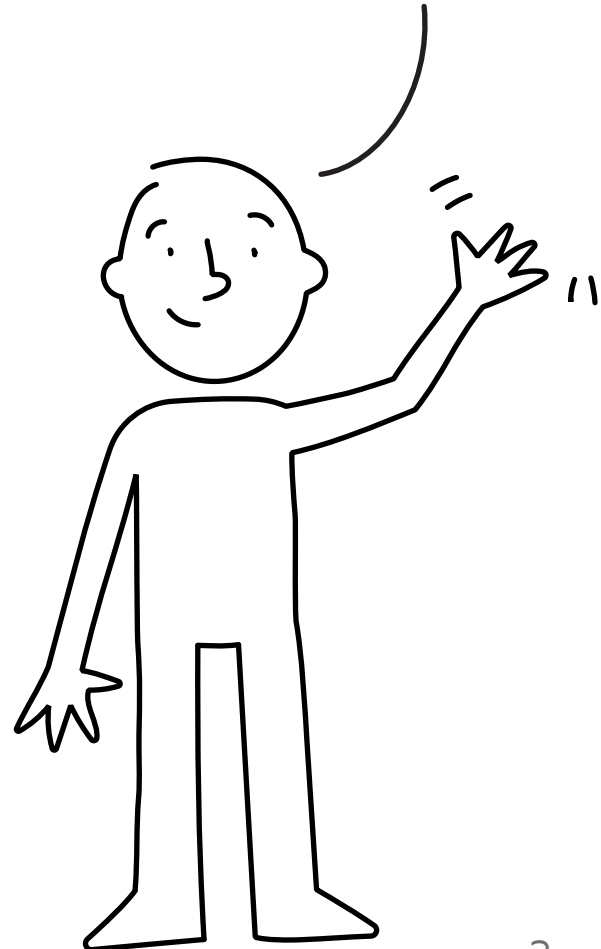
Flat head screwdriver



Hammer



Hi! my name is Armando, and I'll be with you while you assemble this cabinet.



A flat, smooth surface. You can use the cardboard of the box or a rug.



An electric screwdriver isn't necessary, but it can make the work much easier :)

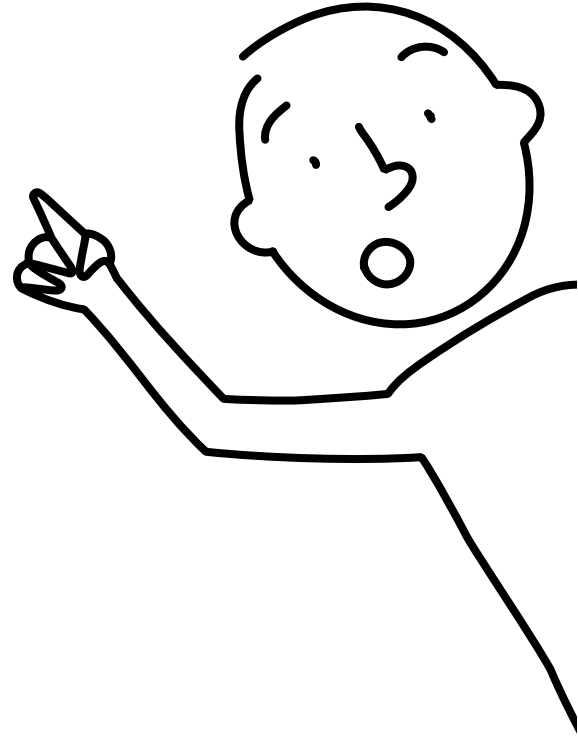
# Where should you start?

## This is so IMPORTANT!

Over the next few pages is the panel and hardware content for this cabinet.

Please make sure that the quantity of each one is correct, and that everything is in good shape.


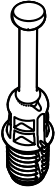


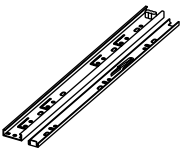
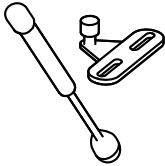
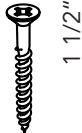
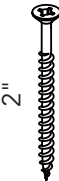
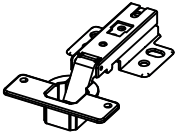

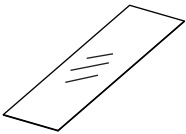
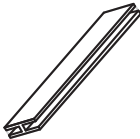
(When the cabinet is already assembled there's no warranty for this)

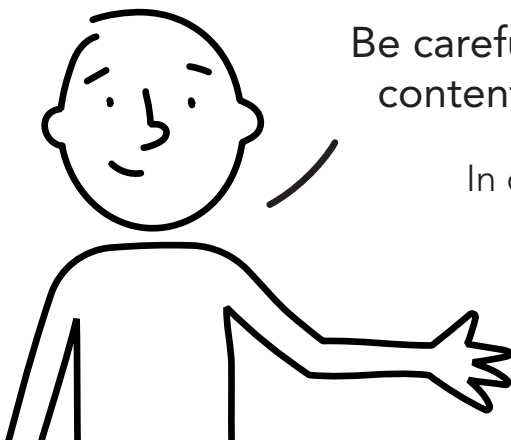


## Panel quantity

A - x1	B - x1	C - x1	D - x1
E - x1	F - x1	G - x1	H - x2
I - x2	J - x2	K - x1	L - x2
M - x1	N - x2	O - x2	P - x2
Q - x1			

# What's in the hardware bag?

			
Wood dowel x32	Spreading bolt x32	Minifix cam x32	Cover caps x32
			
Slides + screws x2	Pneumatic arm x1	Drywall screw x18	Drywall screw x8
			
Hinge + screws x4	Nail-on glide x4	Mirror x1	Profile H x1



Be careful!, try not to lose anything from this bag, its content it's necessary for assembling you cabinet.

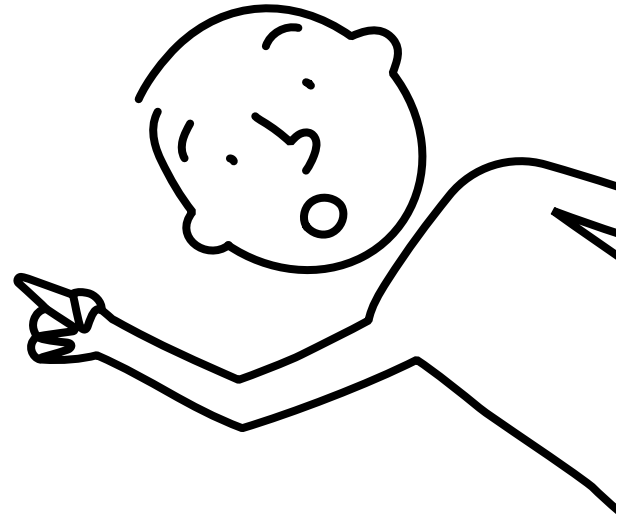
In case something is missing, please call to our customer service line:

**1-888-391-01-66**

# How do the dowels and Minifix system work?

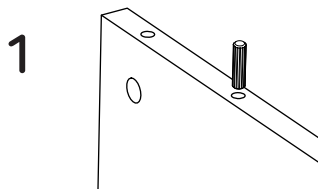
this is so important too!

Everytime you're using one of these connectors during the assembly, you should follow these same steps.

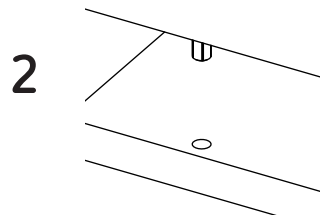


## Wood dowels

They are little wooden cylinders.



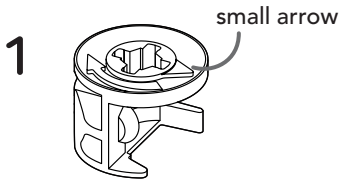
Put in the dowel inside the indicated hole and softly hit it until it's fully inside.



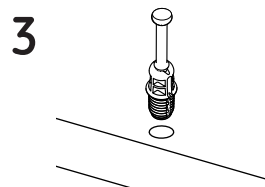
When joining two panels together, don't forget to gently hit the panels to adjust the joint.

## Minifix system

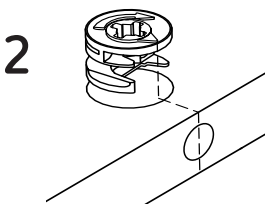
It's a joint compound of two parts: a spreading bolt and a Minifix cam.



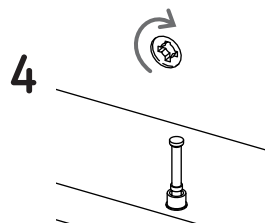
This is a Minifix cam. It has a little arrow on its upper surface.



This is a spreading bolt. You should put it with the black plastic part facing down.



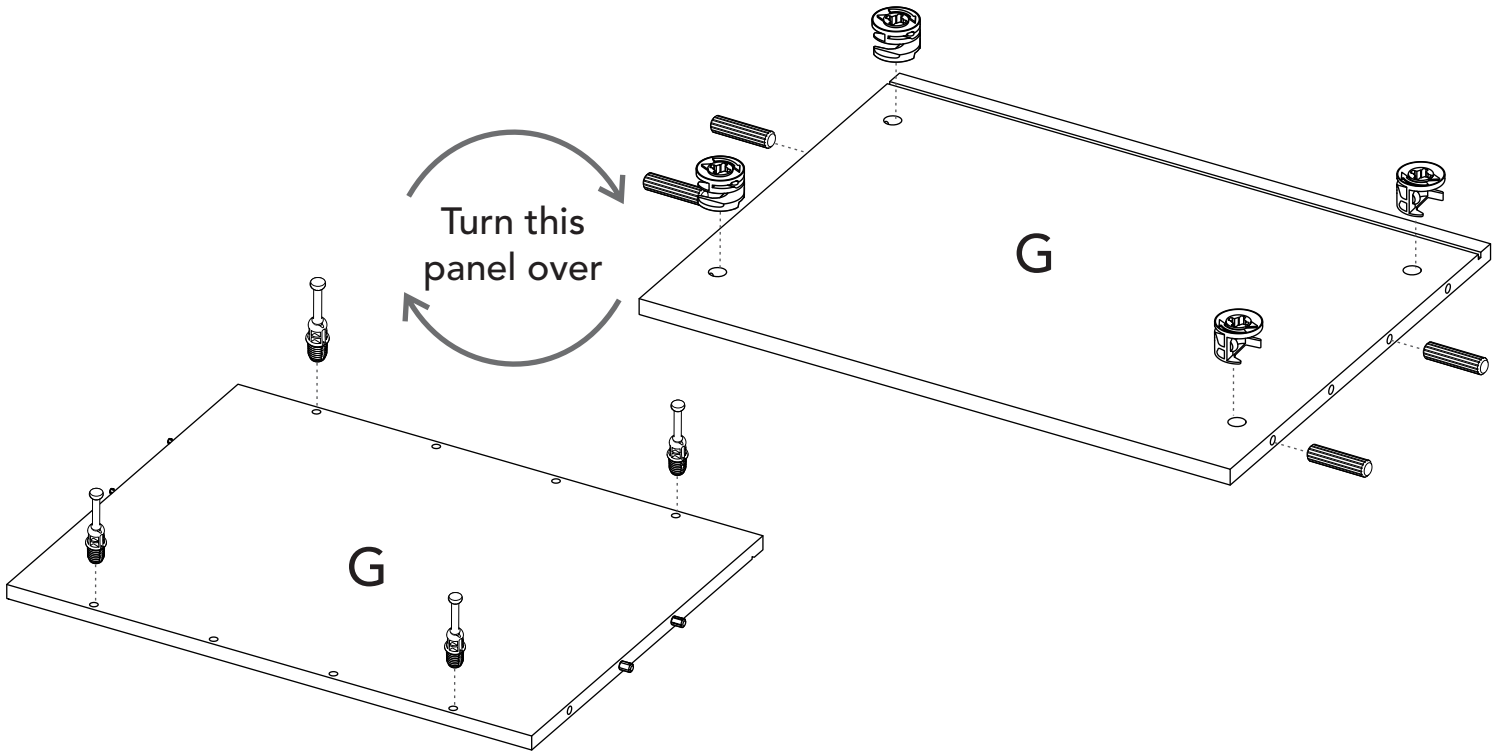
You should insert these cams with the little arrow pointing towards the drilling on the panel's edge (shown on the left).



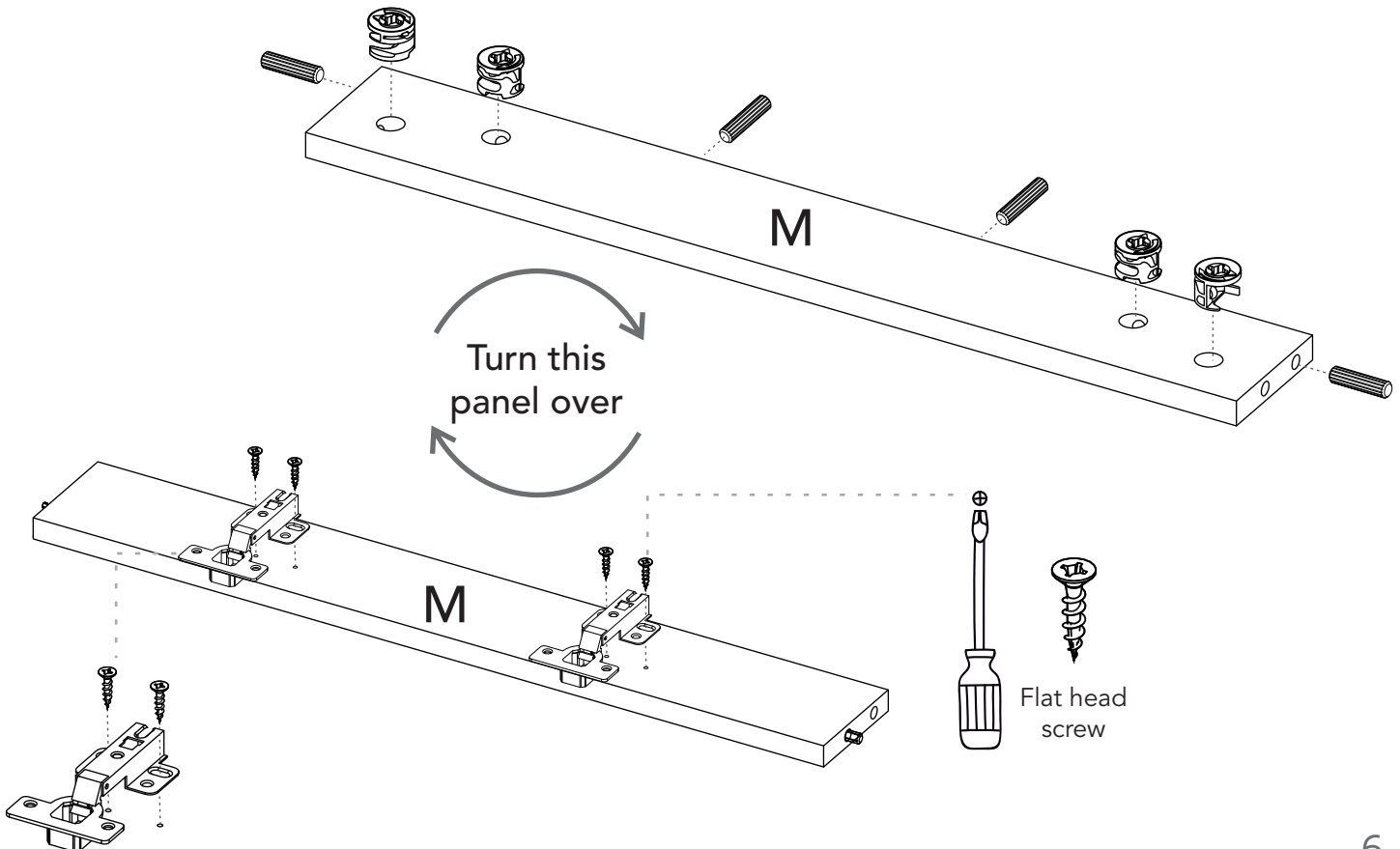
After joining two panels together you should turn the cams 180° with a phillips head screwdriver to adjust and secure the joint.

# 1 Let's start assembling!

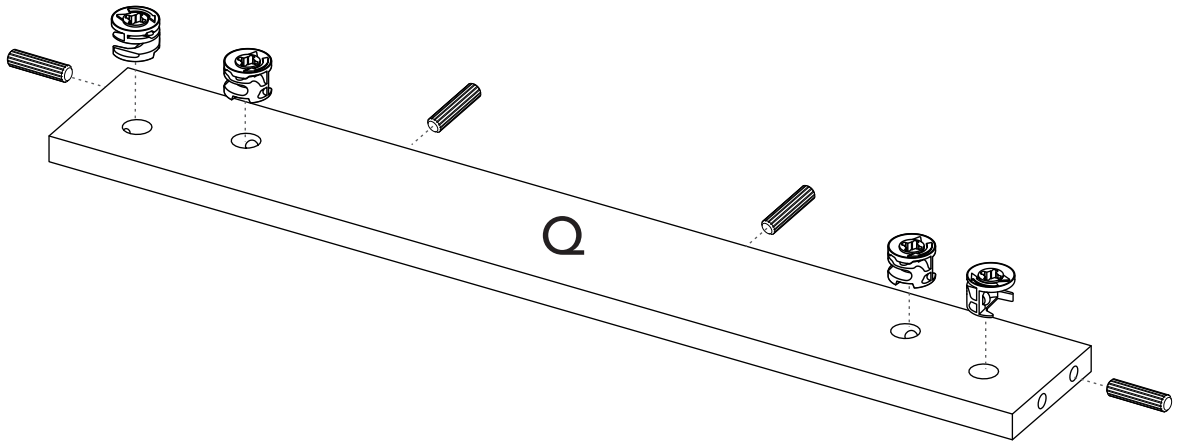
You can see the last page of this manual to have a full look of the panels of this cabinet.



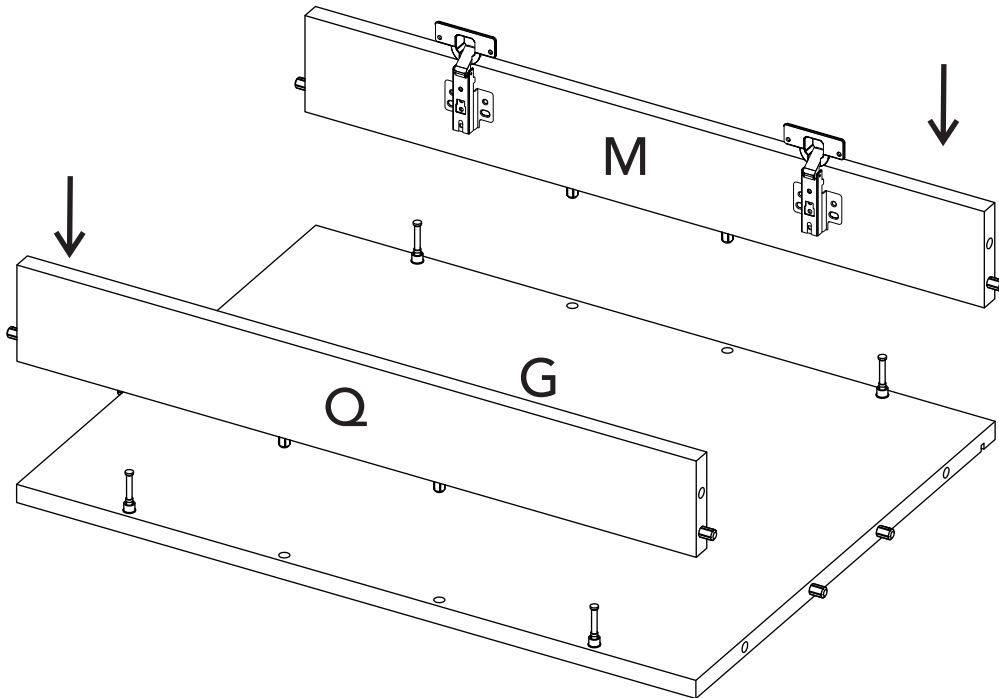
# 2



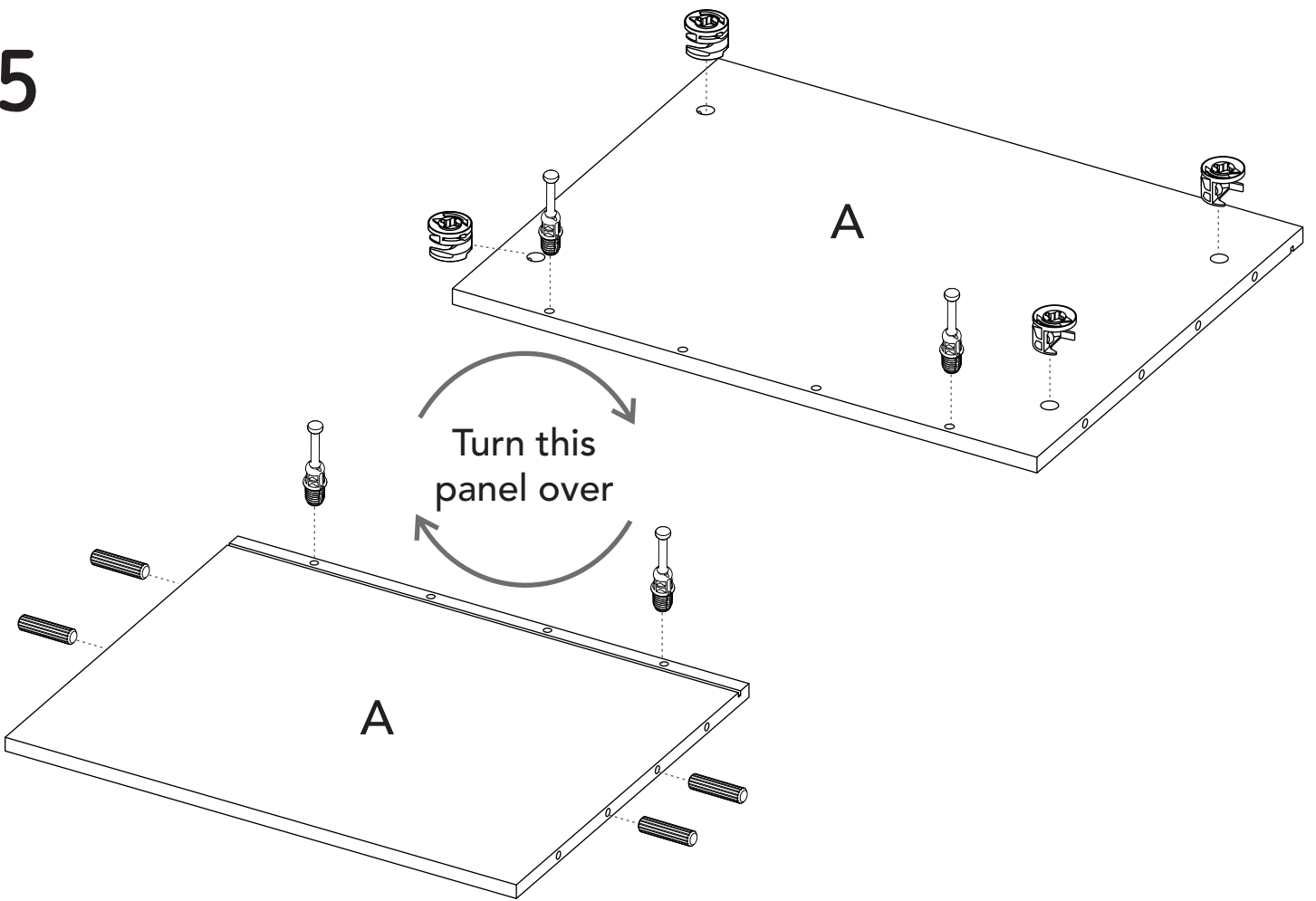
3



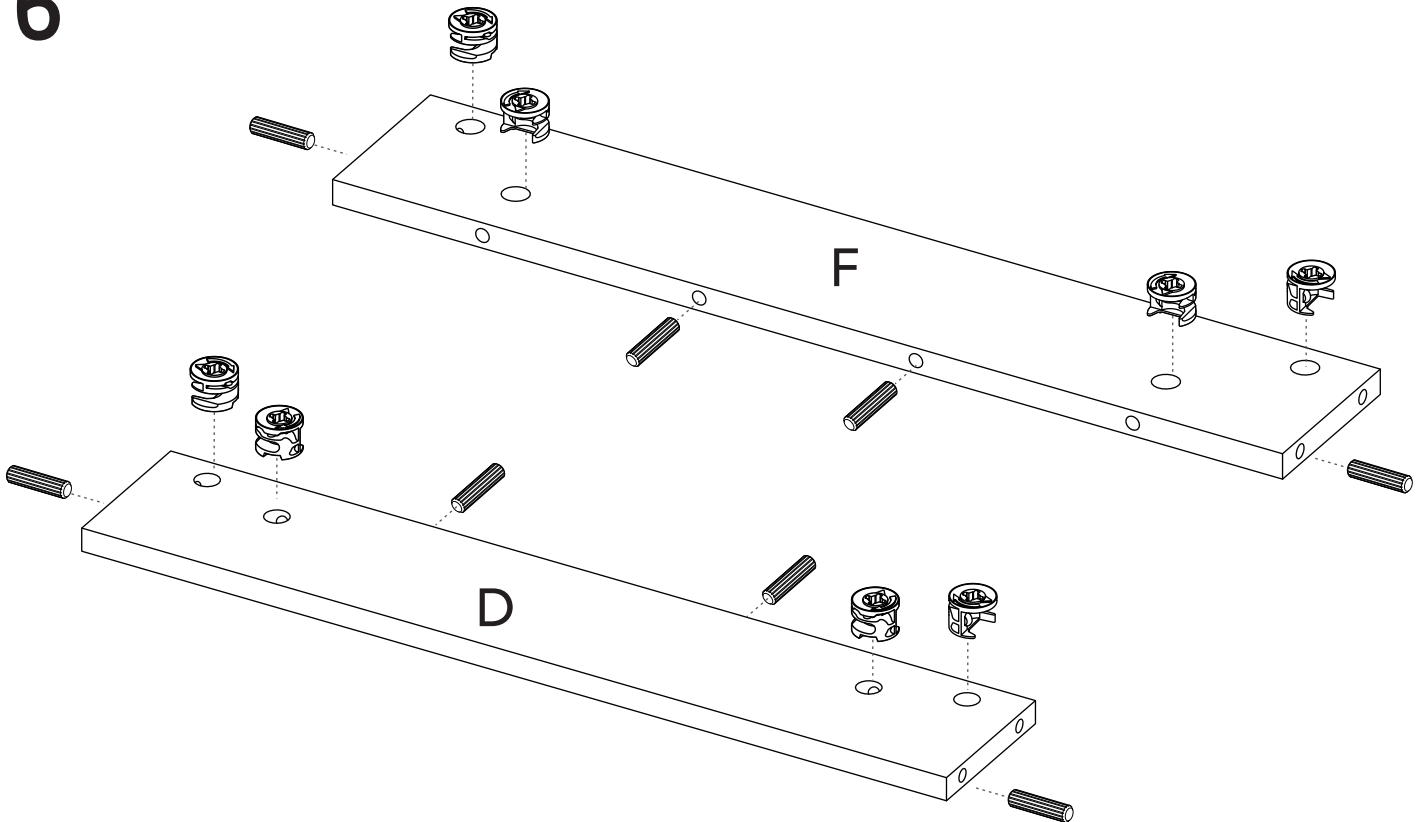
4



5

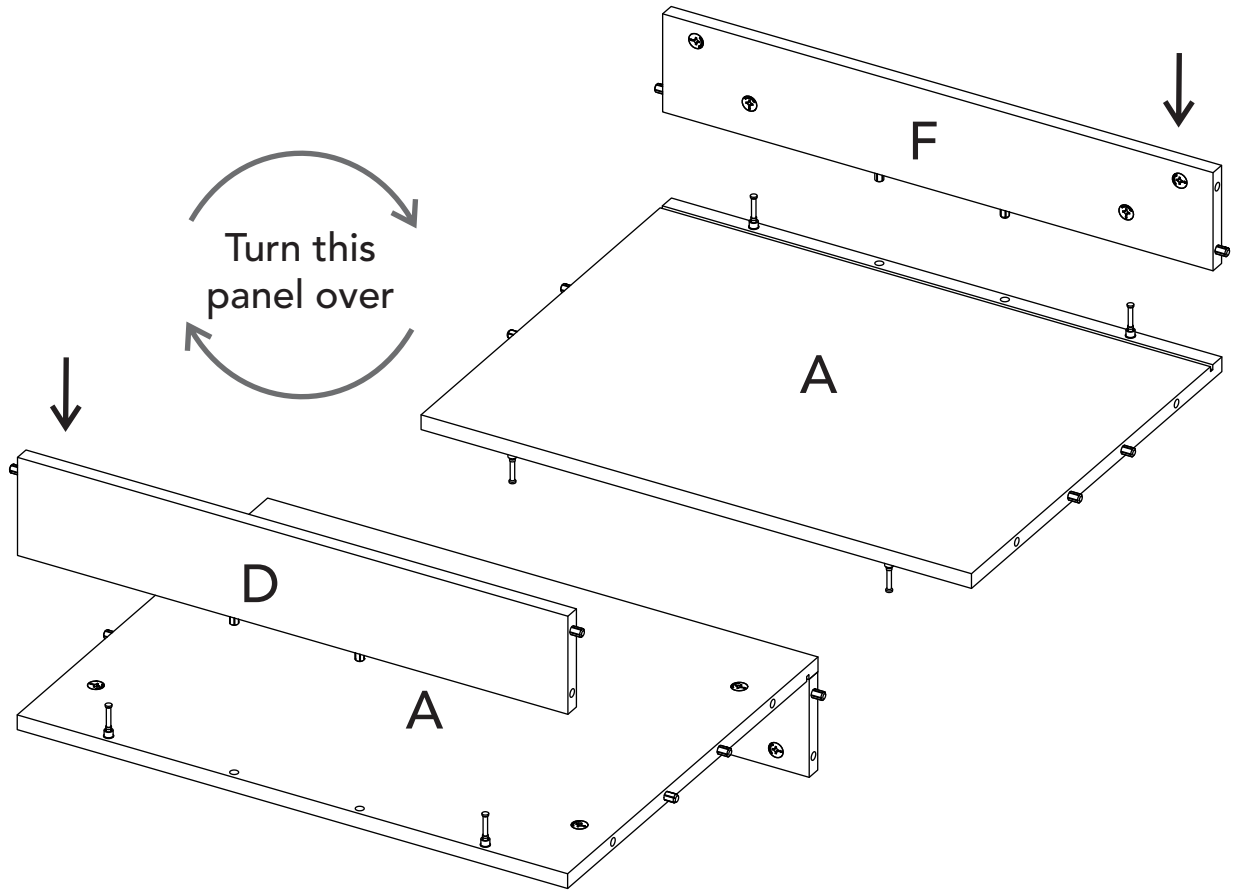


6





# 7



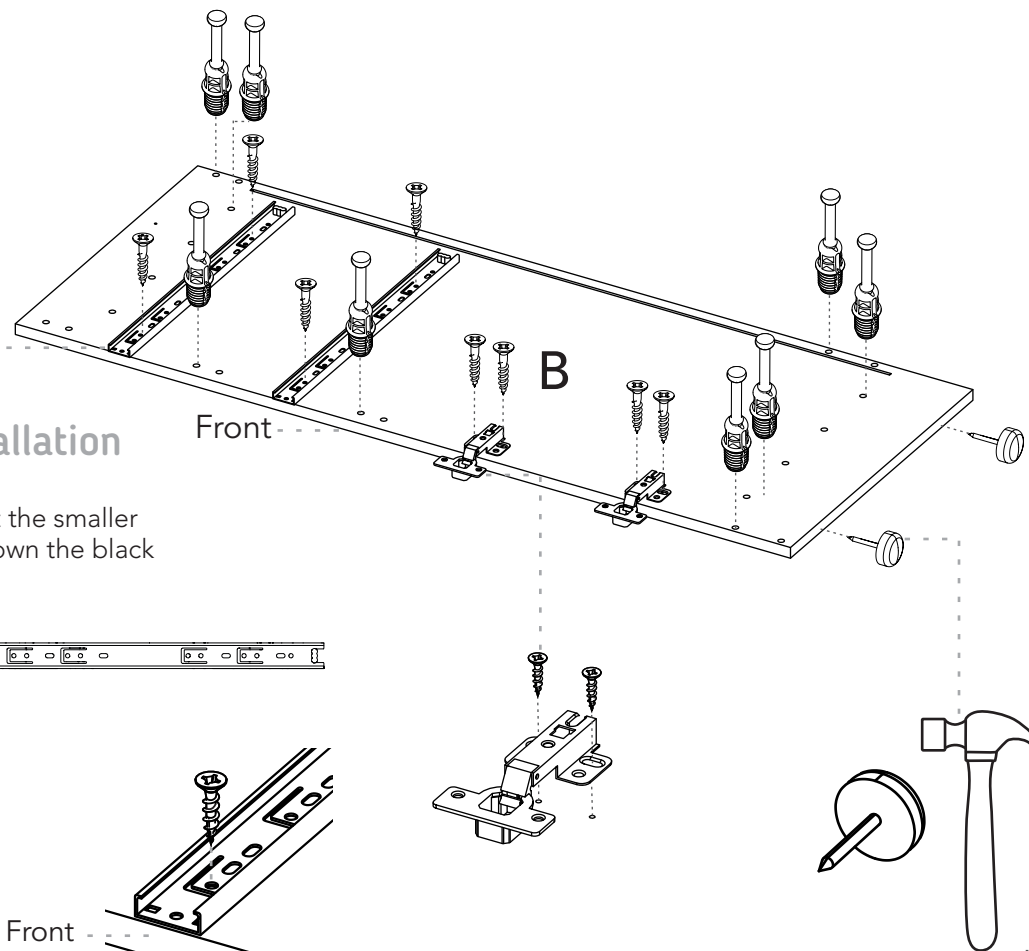
# 8

## Drawer slides installation (apply for steps 3 and 14)

To begin, you must take out the smaller part of the slide, pushing down the black plastic part shown below:

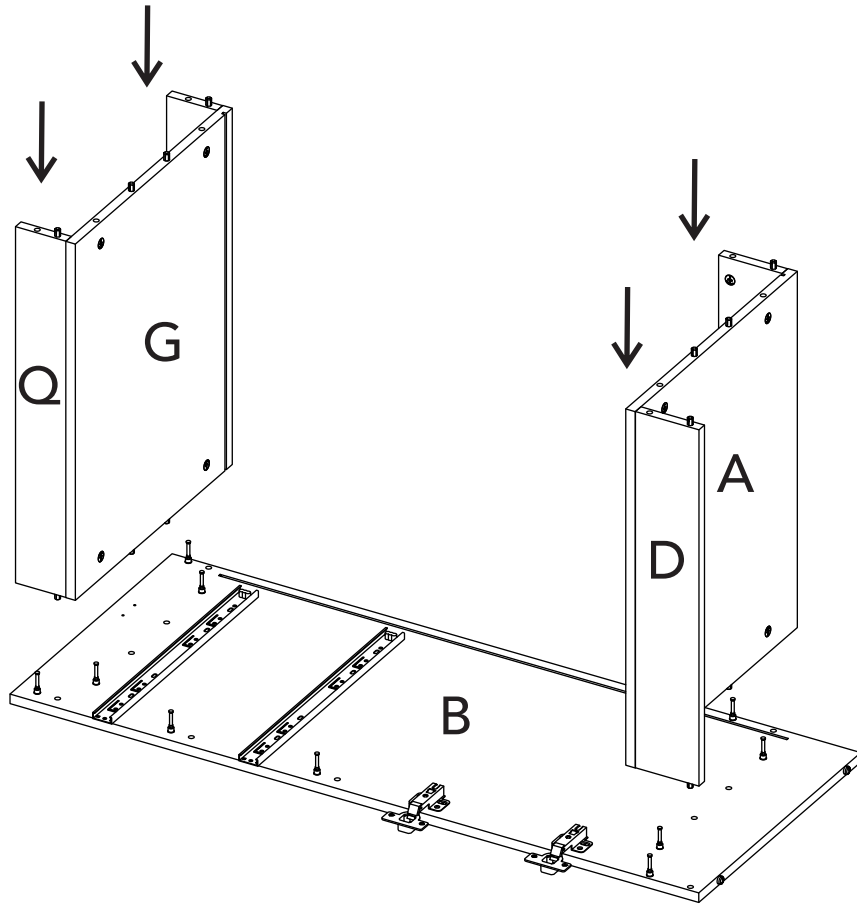


Take the bigger part of the slide and place it over the panel. The plastic stop should go towards the back.

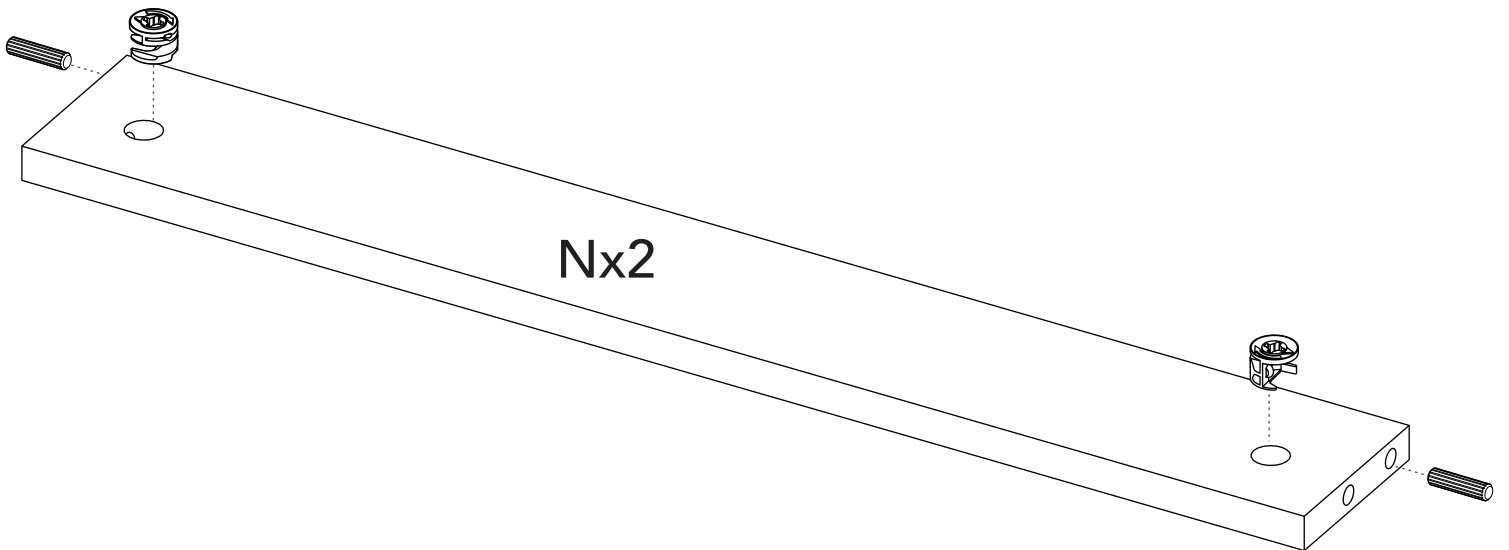


9

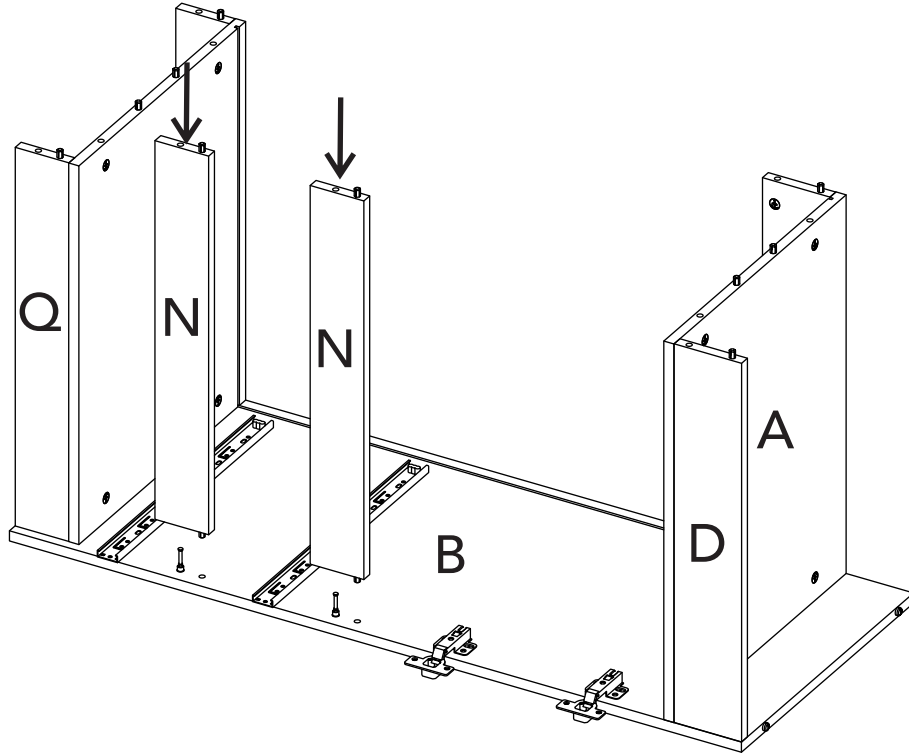
9



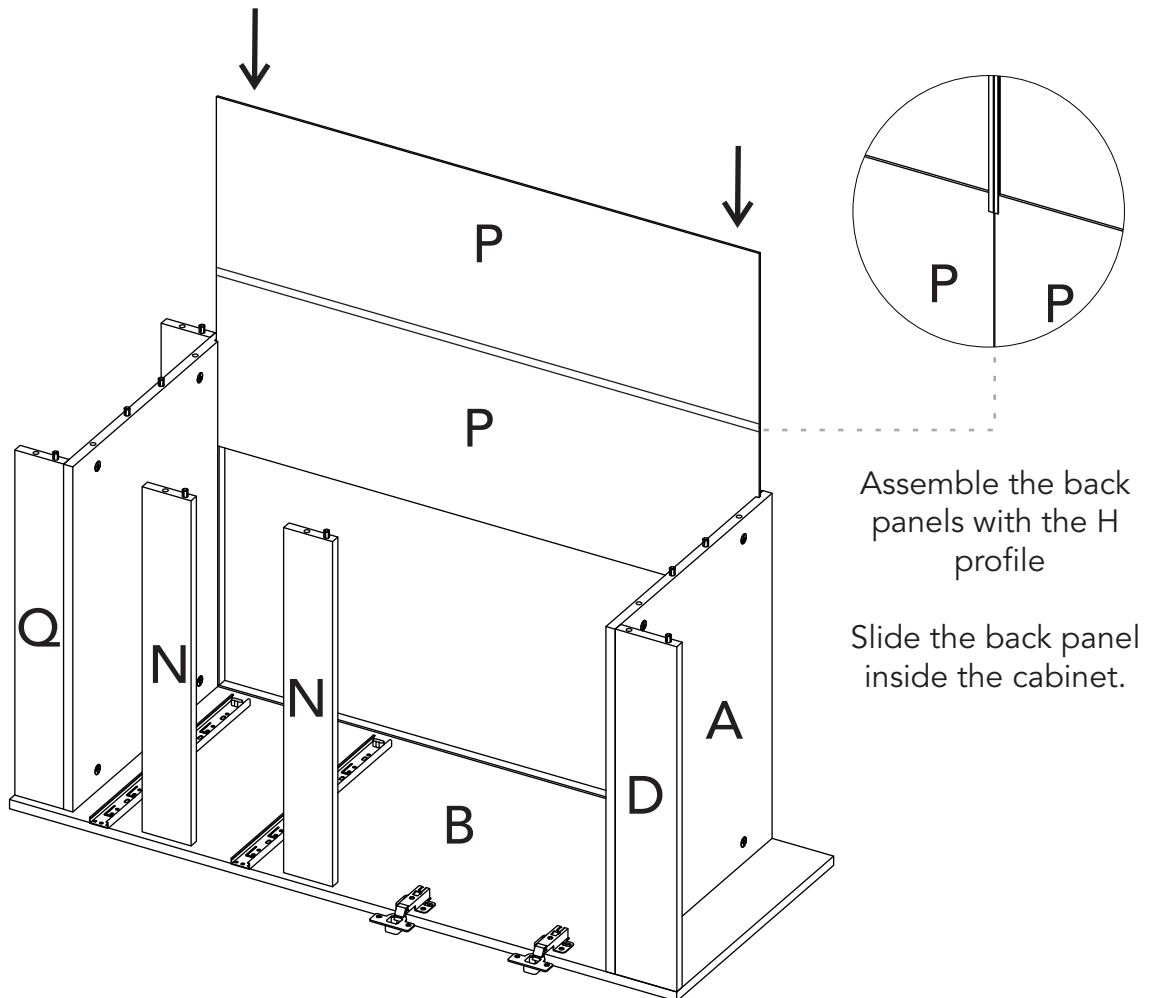
10



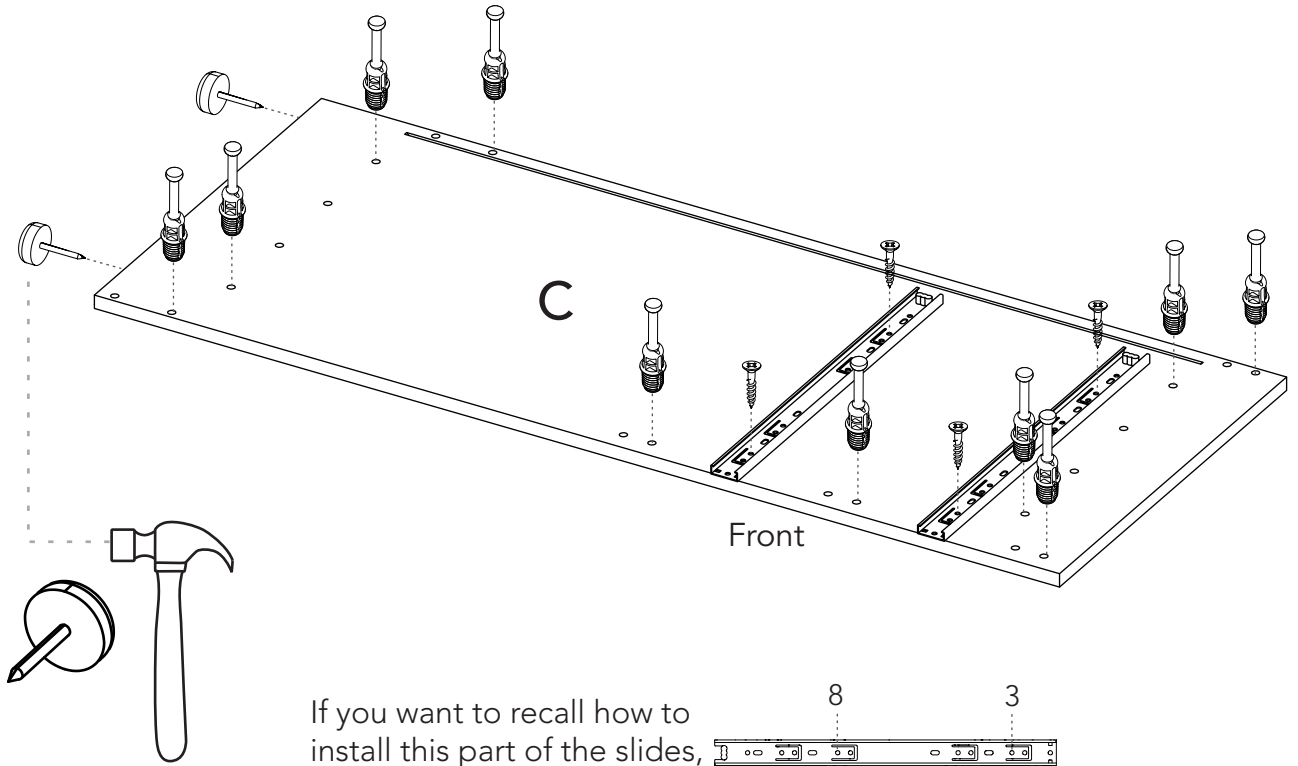
# 11



# 12

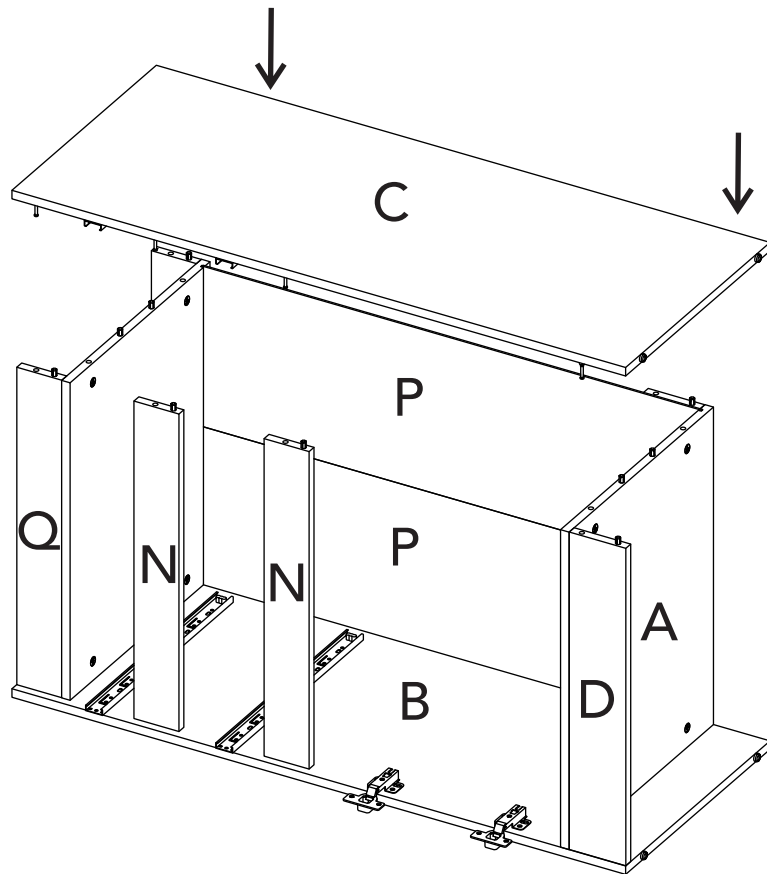


# 13



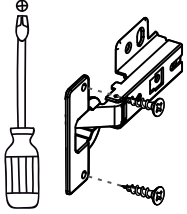
If you want to recall how to install this part of the slides, go to the 8 step again.

# 14

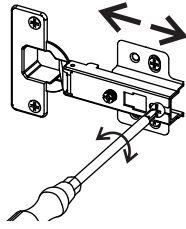


# 15

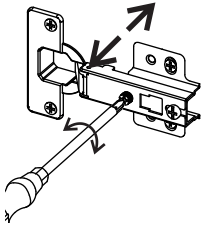
## Assembling and setting up the door



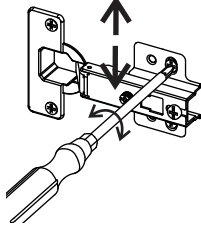
Hinge adjustment



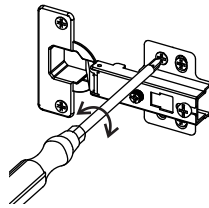
Depth adjustment



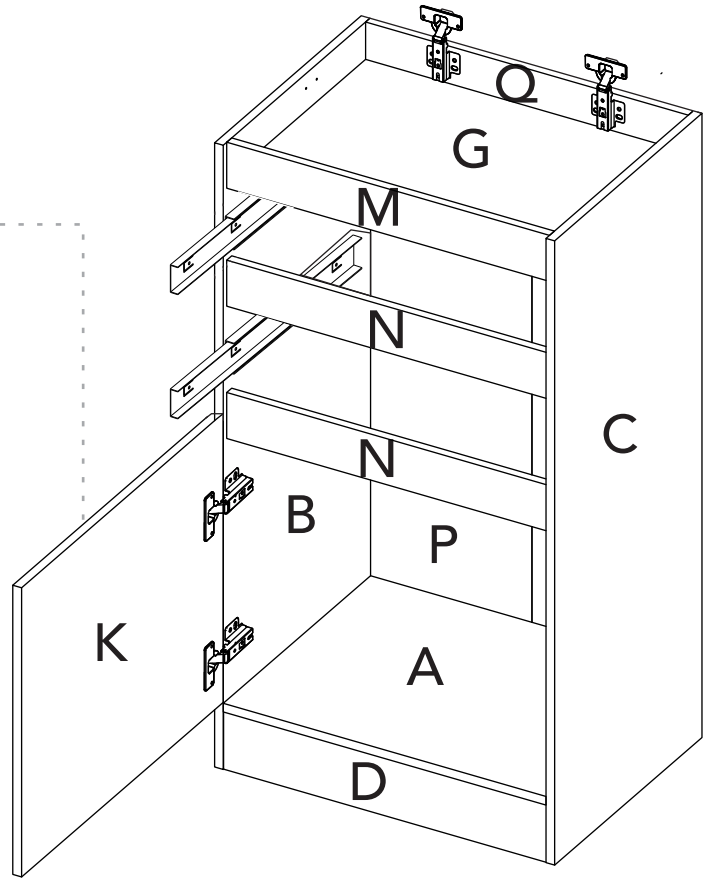
Lateral adjustment



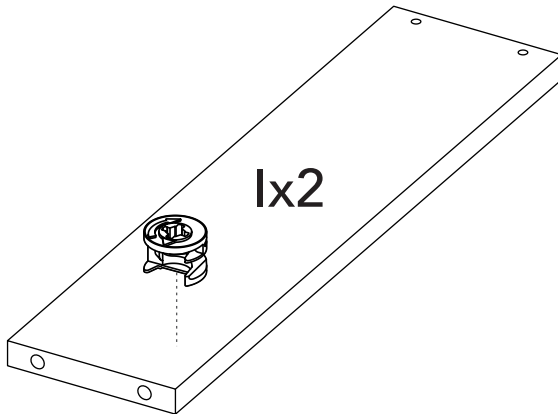
Height adjustment



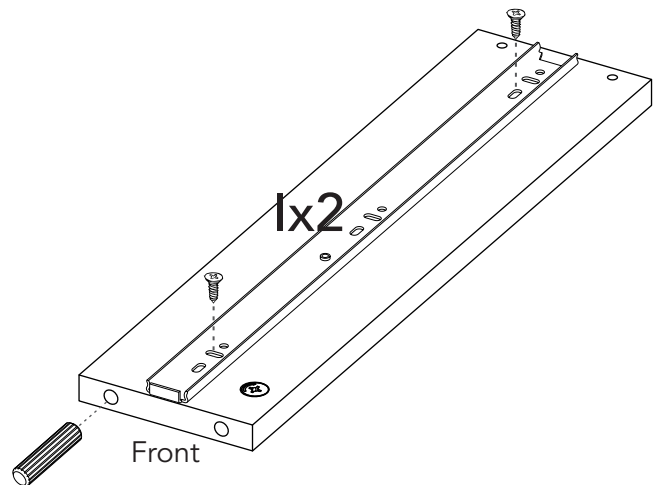
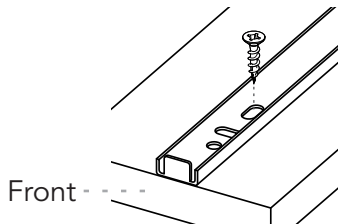
Front screws adjustment



# 16

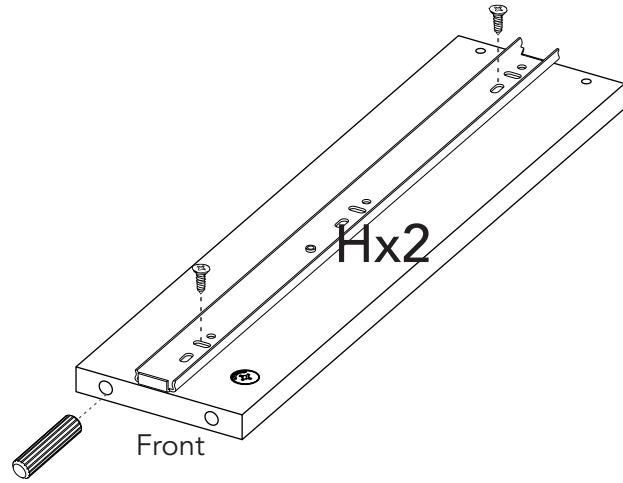
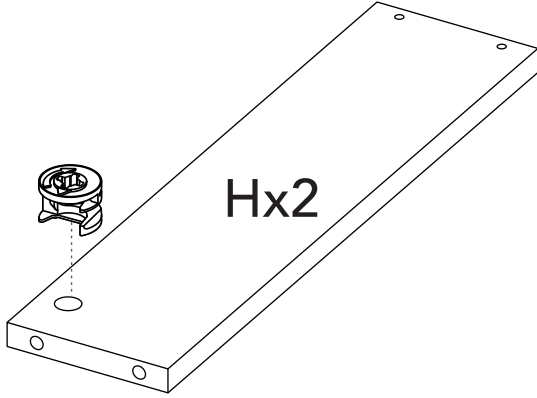
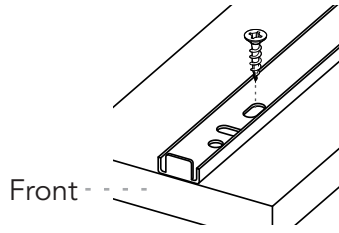


Take the smaller part of the slide and place it over the panel. The metallic stop should go at the front.



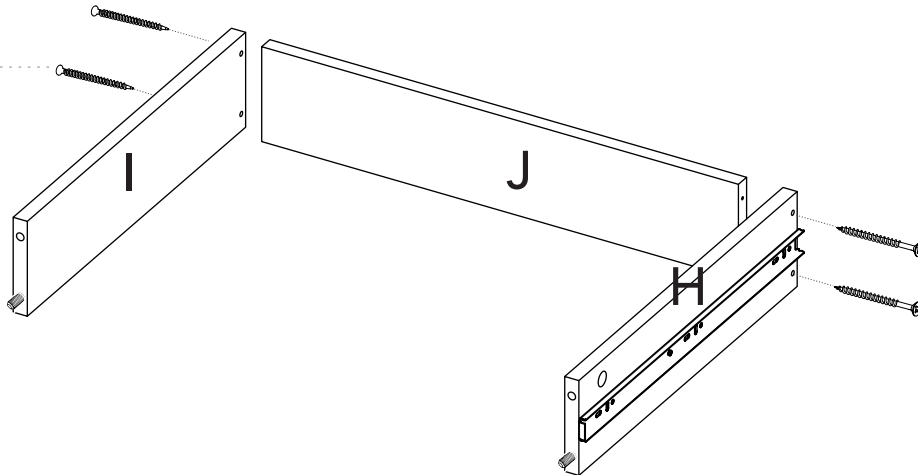
# 17

Take the smaller part of the slide and place it over the panel. The metallic stop should go at the front.

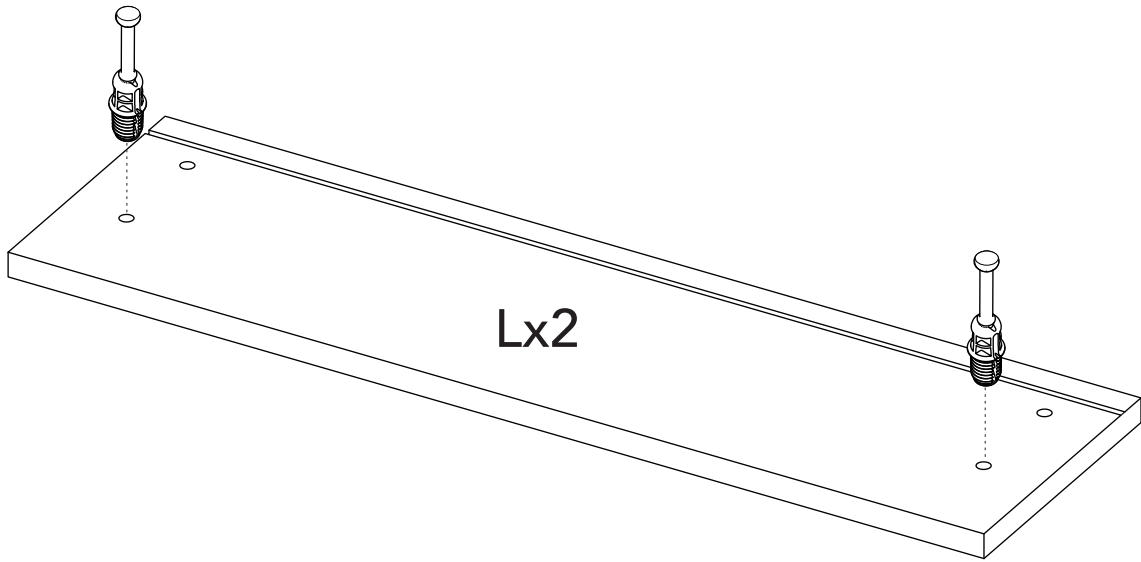


# 18x2

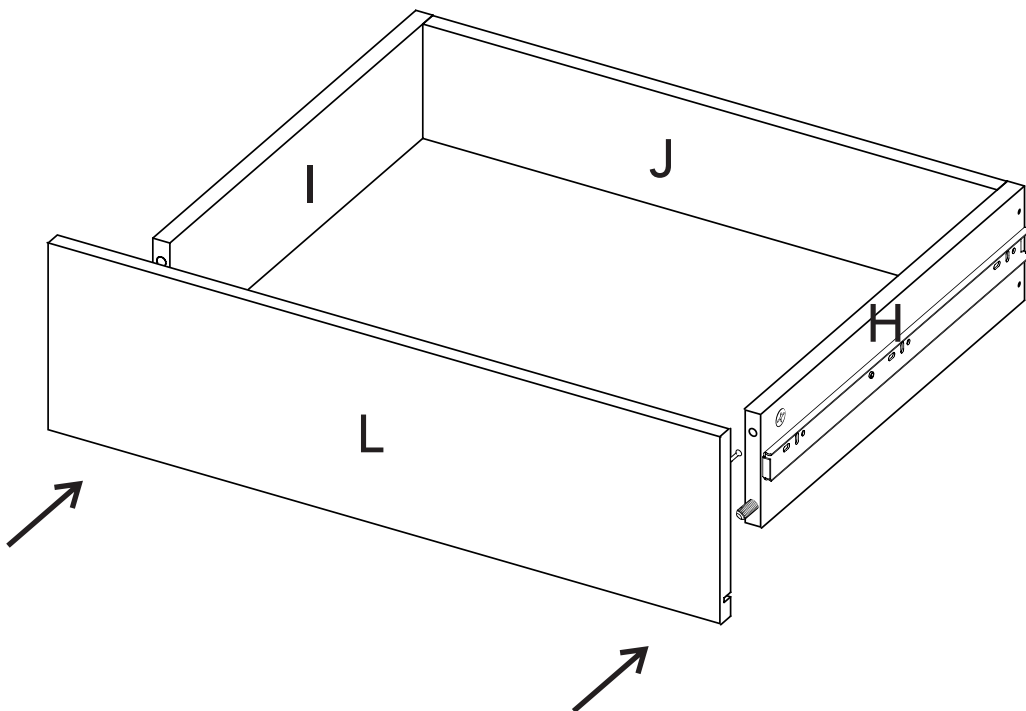
Drywall screw 2"



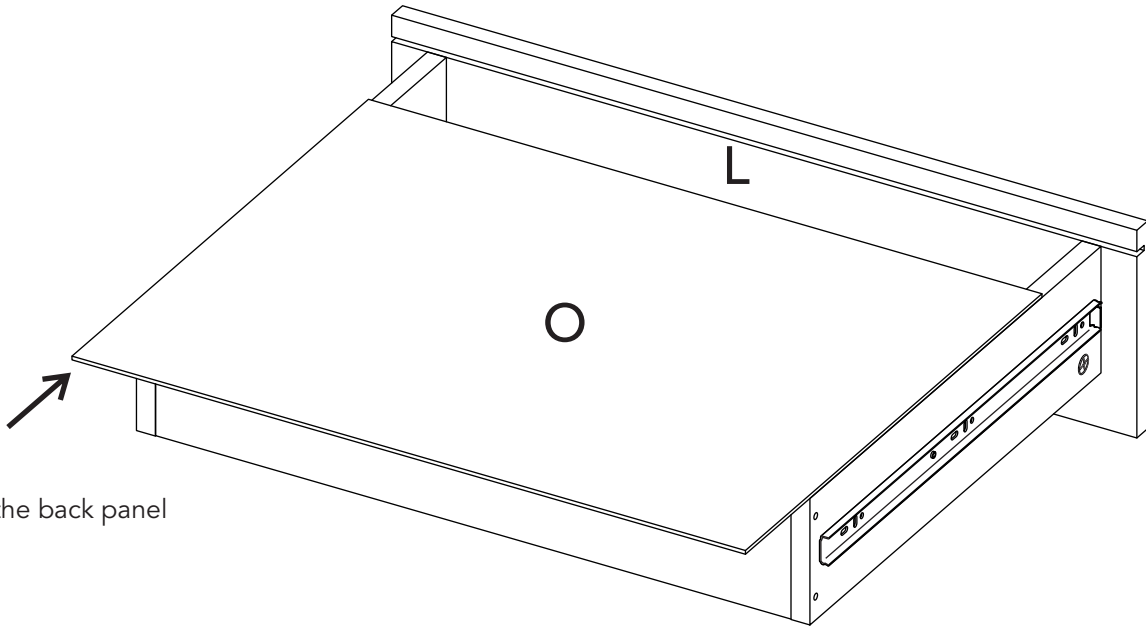
19



20x2

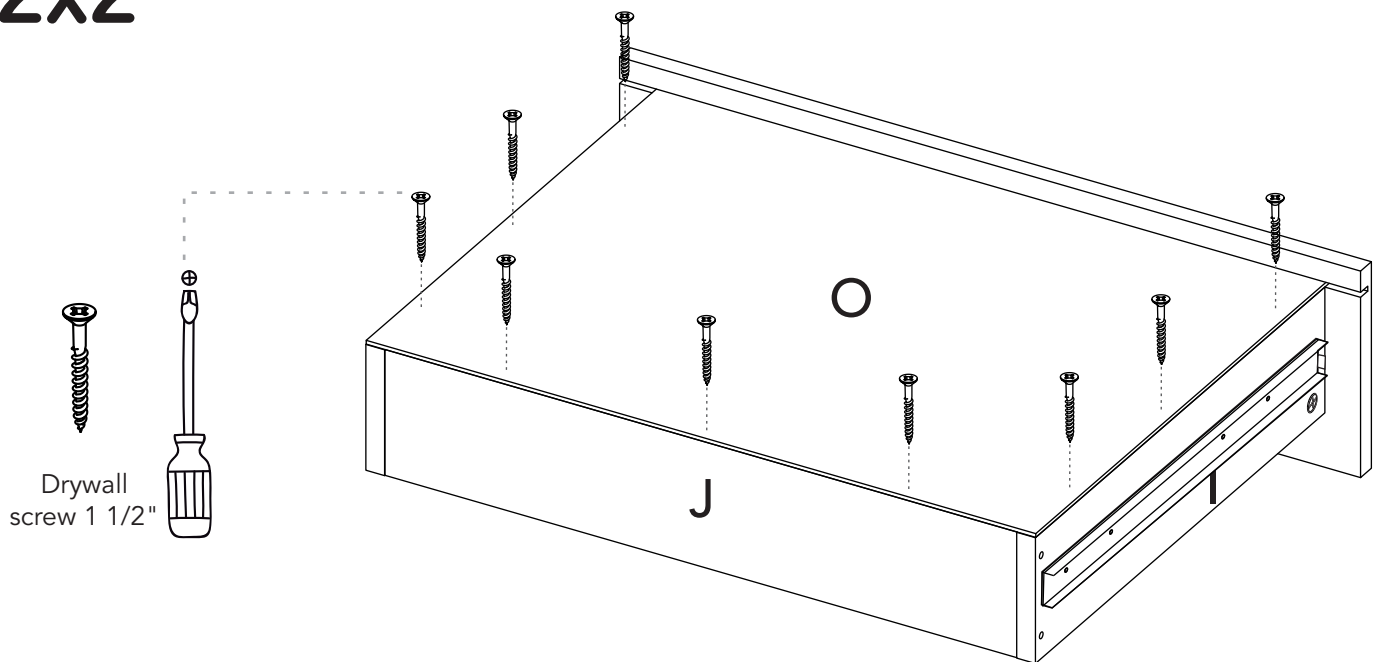


# 21x2



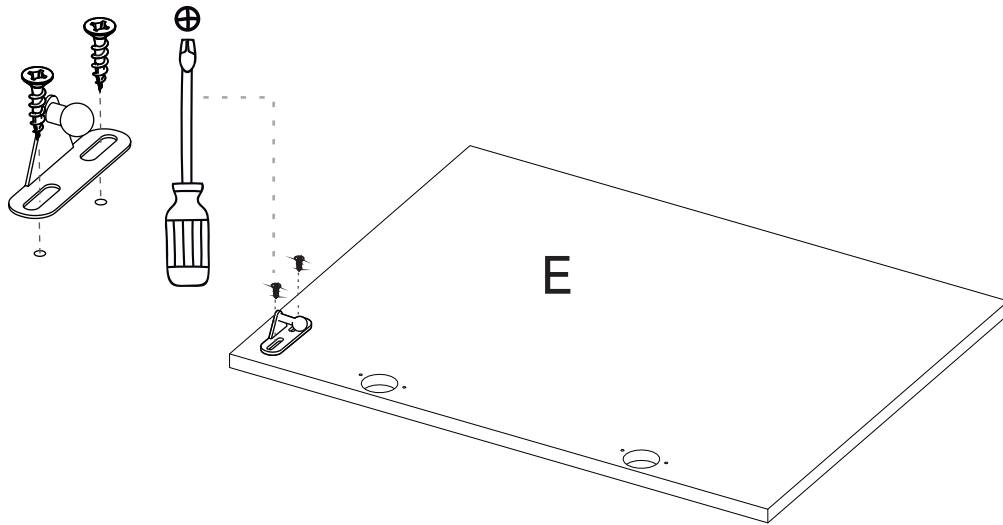
Slide the back panel

# 22x2



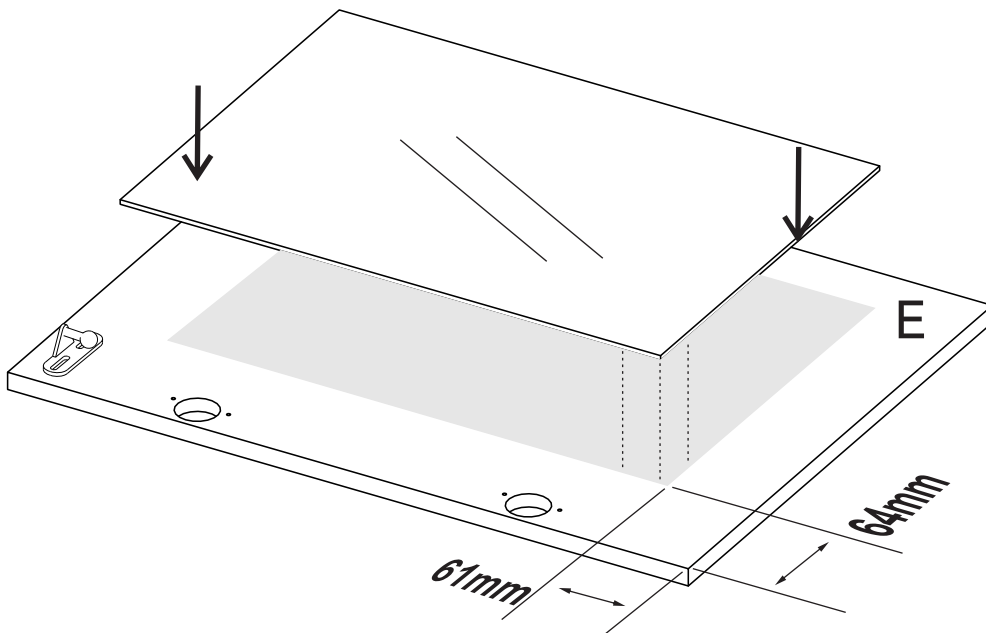
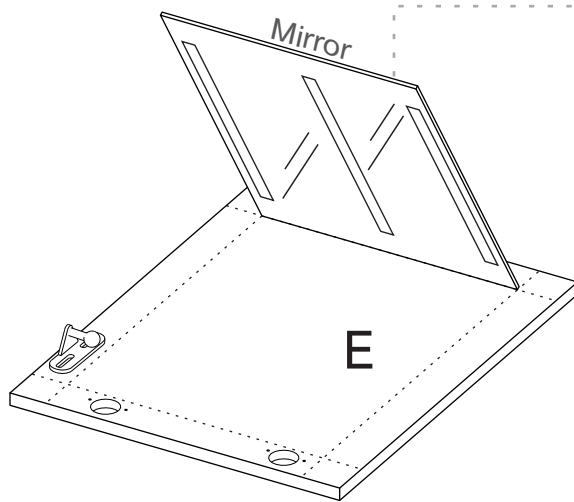
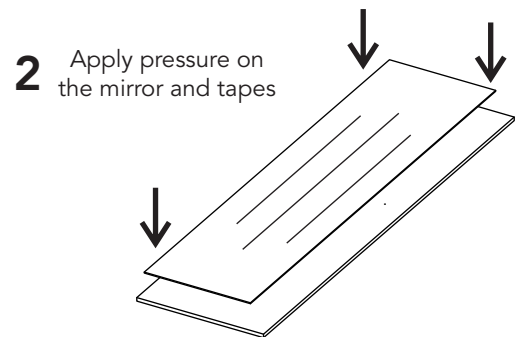
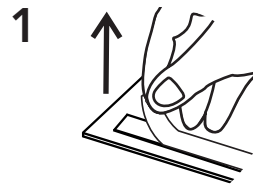
Drywall  
screw 1 1/2"

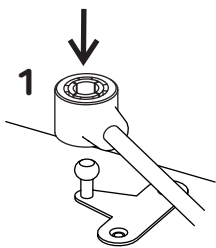
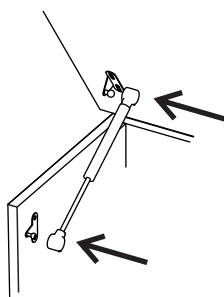
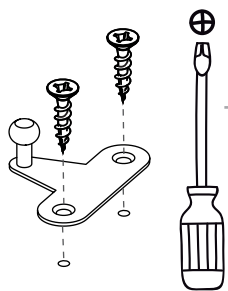




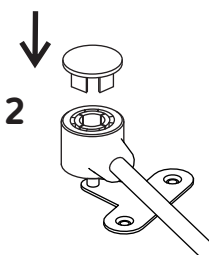
## Mirror installation

Do a right cleaning of the surface before to place the mirror

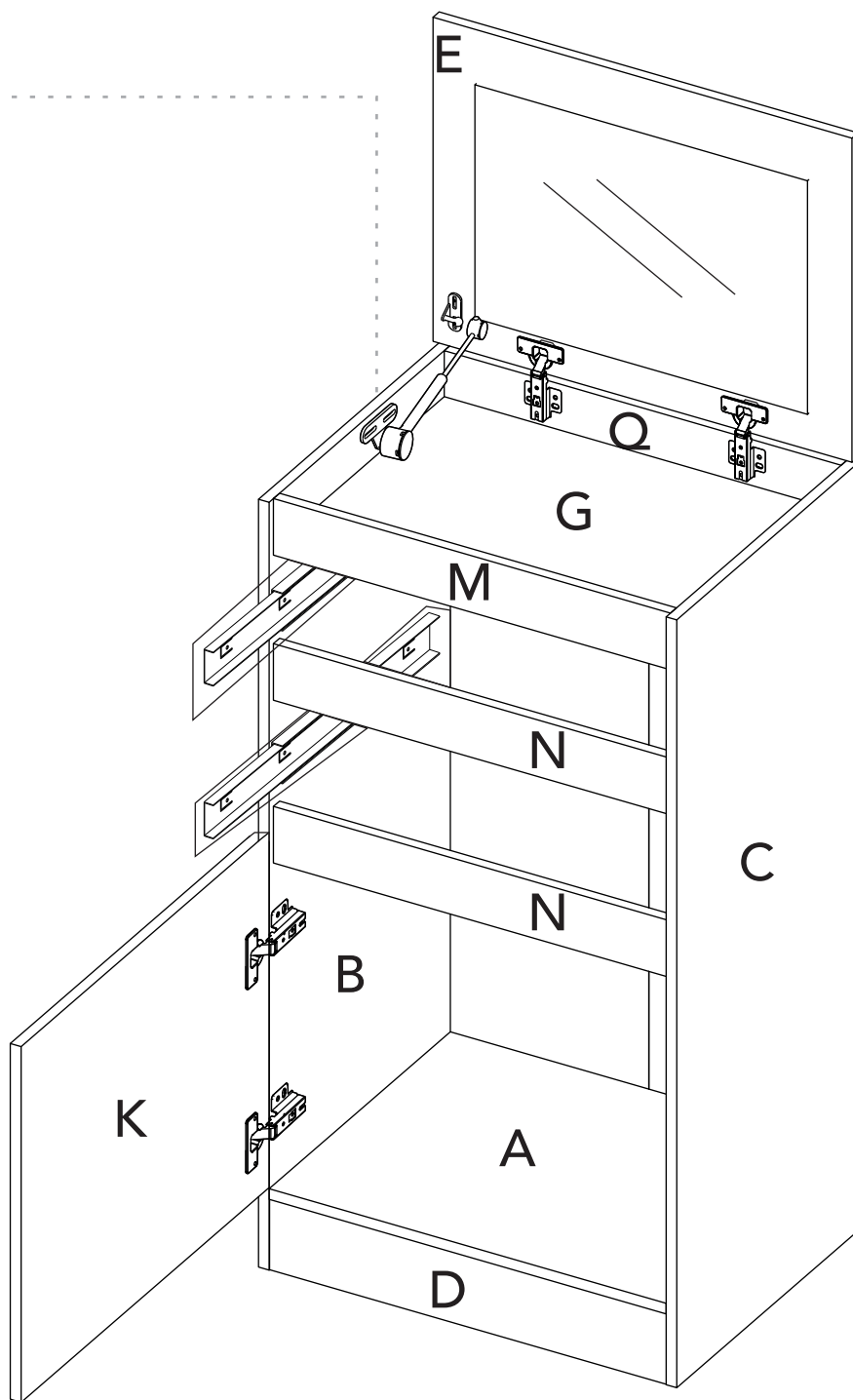




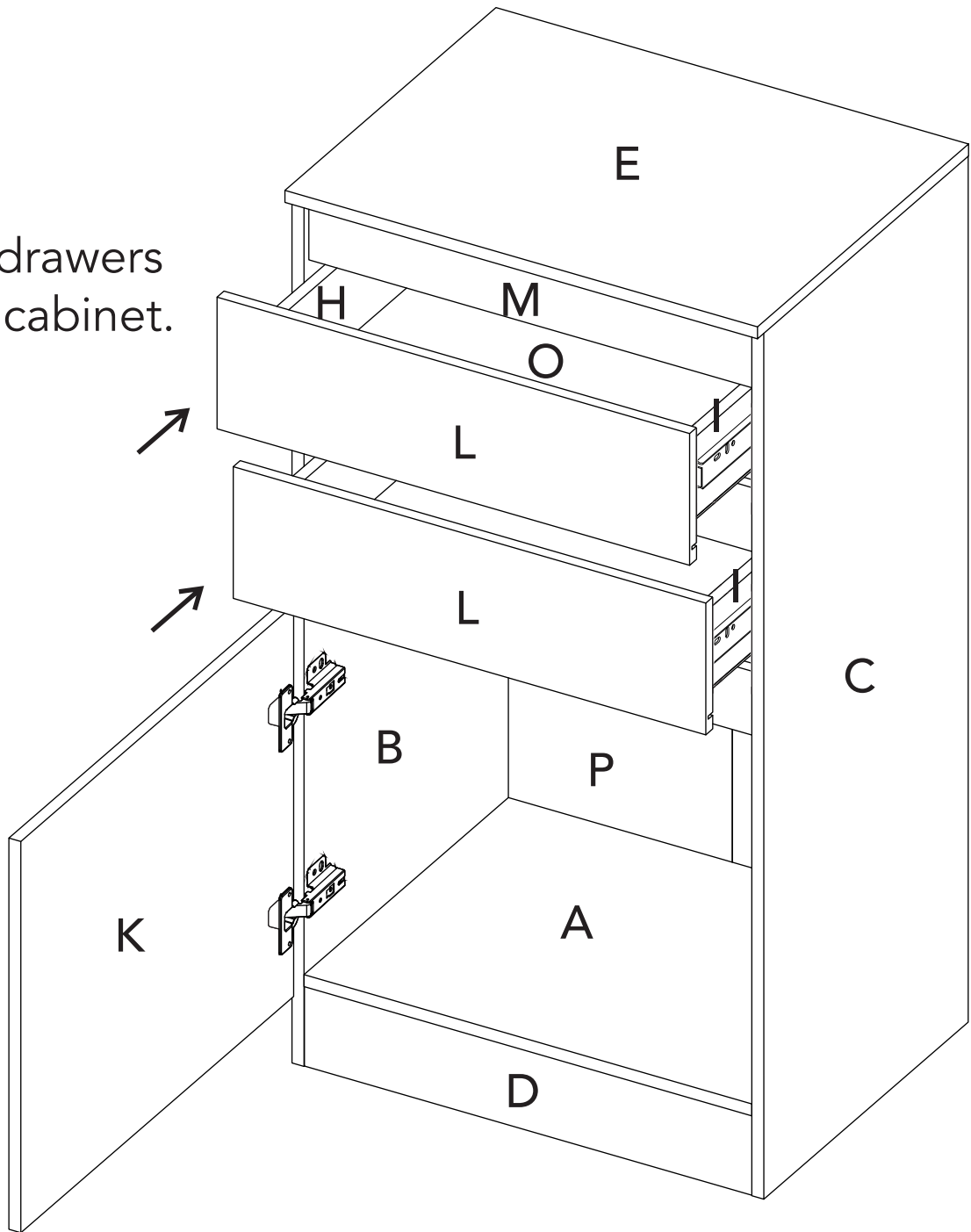
Insert the arm into the pivot



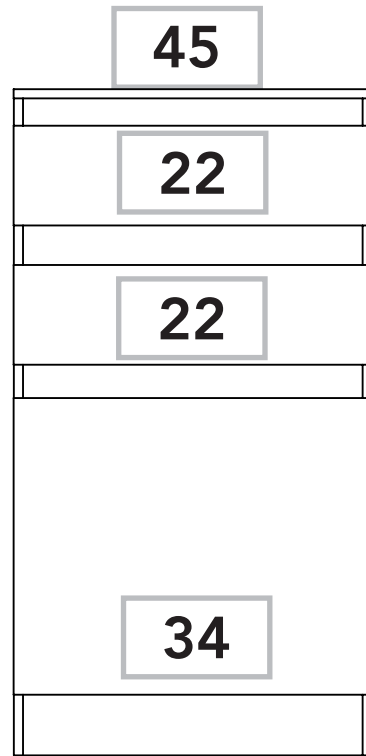
Assemble the caps to secure the arm



Slide the drawers  
inside the cabinet.



# How much weight does my cabinet resist?



\*weight in pounds



**Congratulations!  
It's done**

But don't go yet!

There are some  
recommendations left for you  
to take care of your cabinet  
correctly from now on.

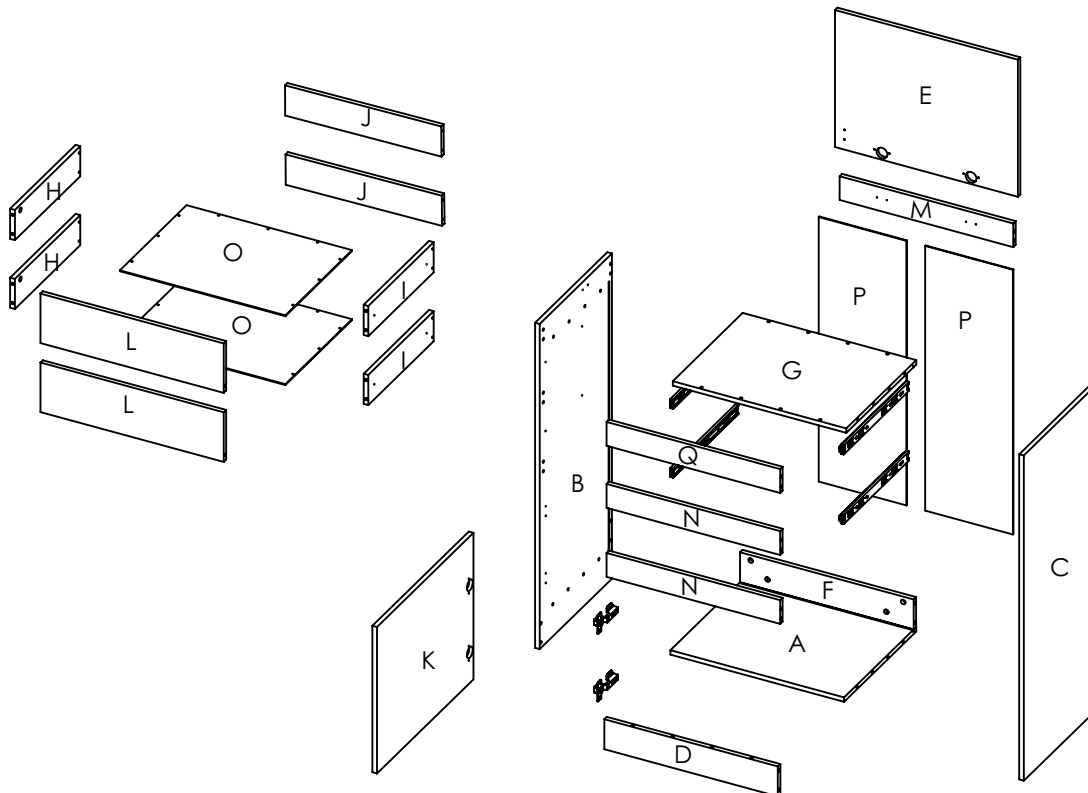
**SUPER IMPORTANT!**

We suggest fixing the cabinet to the  
wall, so we can avoid the cabinet  
tipping and harming anyone.  
Be specially careful with the kids.

# Taking care of your cabinet:

- Do not paint the cabinet.
- The cabinet is exclusively for indoor spaces. Do not expose it to the direct sun.
- Clean the metallic hardware with a dry cloth.
- DO NOT overload the cabinet (see suggested loads)
- Do not hit or hammer the cabinet (only when indicated here).
- Clean it with thinner, a soft soap solution or simply a damp cloth.
- Don't drag the cabinet, lift it up with other people.
- Avoid direct contact with water, fire or exposing it to high heat.

## Cabinet panels



# WARRANTY POLICY

## PÓLIZA DE GARANTÍA

TUHOME Furniture has a 3 year warranty coverage in wooden parts and 1 year warranty coverage in hardware pieces since its manufacturing date, which you can see in the lot number printed on the product box and the assembly instructions leaflet.

Warranty covers materials and workmanship imperfections which impair the assembly or correct functioning of the cabinet.

This warranty is not valid if the defects or imperfections are caused by the incorrect following of the assembly instructions, warnings and recommendations, misuse, intentional damage, fire or flood, or after modifications or any kind of alteration, or repaired by someone not authorized by TUHOME Furniture, when it's been assembled 3 months after the date of purchase. These defects MUST be reported before the warranty coverage period ends. Once the product has been assembled, the company will not be responsible for defective and/or damaged parts.

This warranty is ONLY valid for the ORIGINAL PURCHASER, it doesn't apply if the product has been resold, rented, etc.

TUHOME Furniture will take no liability for incidental or consequential damages caused to or by the product (This may not apply in your state).

To make this warranty valid you must write to our customer service email describing the product defect, lot number and submitting your sales receipt or proof of purchase, or contact us at our customer service line. Replaced parts will be under the product's original warranty coverage period. Damaged parts will become property of the company.

There are no other warranties applicable to this product.

**IF ANY PARTS ARE BROKEN OR  
MISSING PLEASE CONTACT US**

**AT: 1-888-391-01-66 /**

**OUR CUSTOMER SERVICE TEAM WILL PROVIDE  
YOU HELP TO RESOLVE ANY ISSUES IMMEDIATELY**