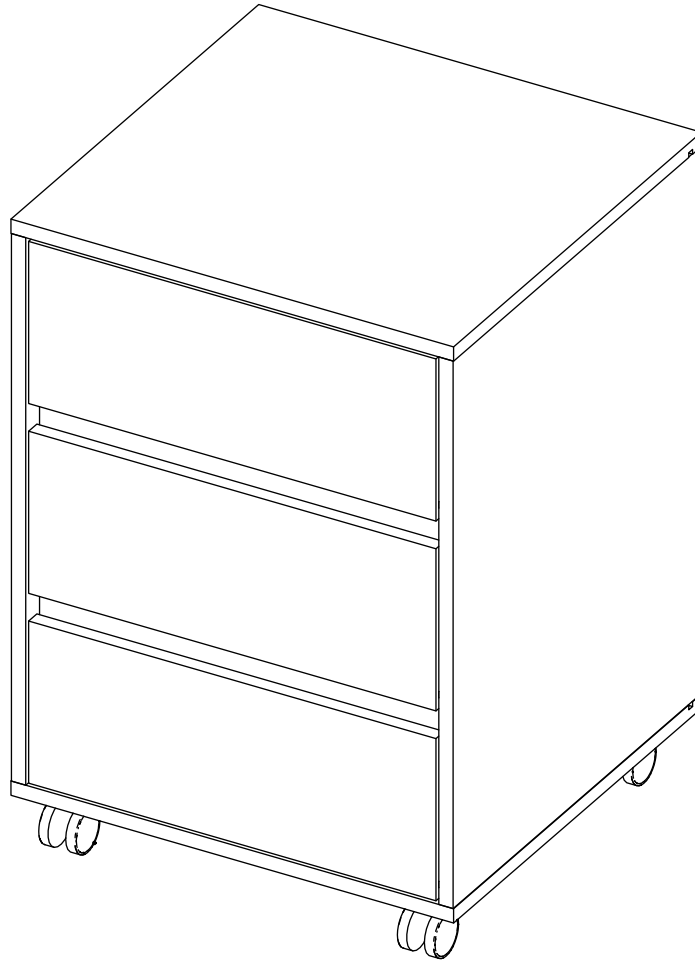


ASSEMBLY INSTRUCTIONS

INSTRUCCIONES DE ENSAMBLE



Height: 25,98 in

Width: 18,27 in

Depth: 17,72 in

Alto: 66 cm

Ancho: 46,4 cm

Fondo: 45 cm

LOT N°

REF./SKU. ALB5974-ALW5975-ALZ5976



IMPORTANT RECOMMENDATIONS

Do not paint the cabinet.

The cabinet **MUST** be used exclusively indoors, do not expose to direct sun.

Clean metallic hardware with a dry cloth.

Do **NOT** overload the cabinet (see suggested loads).

Do not hit or hammer the cabinet (just when indicated).

Clean with a slightly damp cloth, use gentle soaps.

Do not drag, lift and move between two people.

Avoid direct contact with water, fire or exposure to heat sources.

RECOMENDACIONES IMPORTANTES

No pintar el mueble.

El mueble debe ser usado únicamente en interiores, no exponer al sol directo.

Limpiar los herrajes metálicos con un paño seco.

NO sobrecargar el mueble (ver las cargas sugeridas).

No golpear ni martillar el mueble (solo cuando se indique).

Limpiar con un paño ligeramente húmedo, usar jabones suaves.

No arrastre el mueble, levántelo entre dos personas.

Evite el contacto directo con el agua, el fuego o la exposición a fuentes de calor.



WARNING

Never allow children to climb or manipulate the cabinet, furniture tip over can cause serious injuries or death.



ADVERTENCIA

Nunca permita que los niños escalen o manipulen el mueble, la caída de este puede provocar lesiones graves o la muerte.

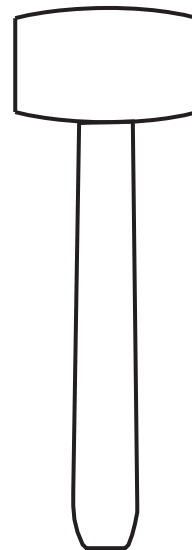
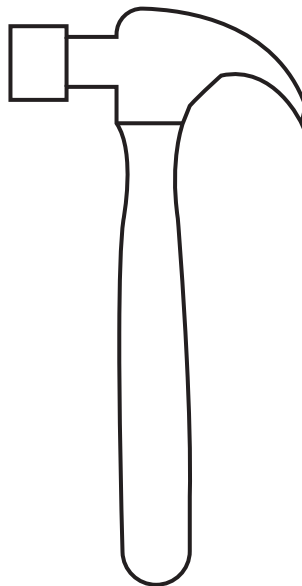
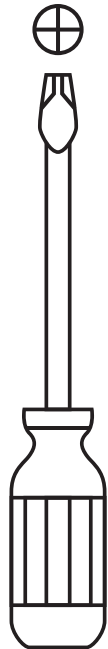
INDEX

ÍNDICE

Assembly Hardware	4	Herrajes para Armado.....	4
Assembly Parts	5	Piezas de Armado.....	5
Suggested Loads.....	6	Cargas Sugeridas.....	6
Assembly Recommendations.....	6	Recomendaciones de Ensamble.....	6
Assembly Steps	7-16	Pasos de Armado.....	7-16
Warranty.....	17	Garantía	17

REQUIRED TOOLS*

HERRAMIENTAS NECESARIAS*



*Not included, and not shown actual size.

*No incluidas y no se muestran en tamaño real.

ASSEMBLY HARDWARE

HERRAJES PARA ARMADO

Please check that the hardware content is correct. If any item is missing, please call to our customer service line.

Compruebe que el contenido de los herrajes sea el correcto. En caso de que falte alguna pieza, por favor llame a nuestra línea de atención al cliente.



x26

Wood Dowel
Tarugo



x26

Spreading Bolt
Perno Minifix



x26

Minifix Cams
Minifix



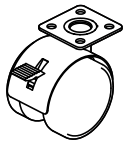
x30

Cover Caps
Tapa Adhesiva
Minifix



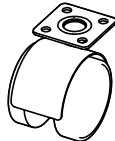
x1

Glue
Pegante



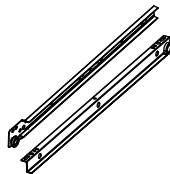
x2

Wheel Caster with
Brake
Rodachina con freno



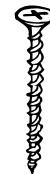
x2

Wheel Caster
Rodachina



x3

Drawer Slide
(Screws Included)
Riel
(Incluye Tornillos)



x12

Drywall Screw 2"
Tornillo de Ensamble 2"



x16

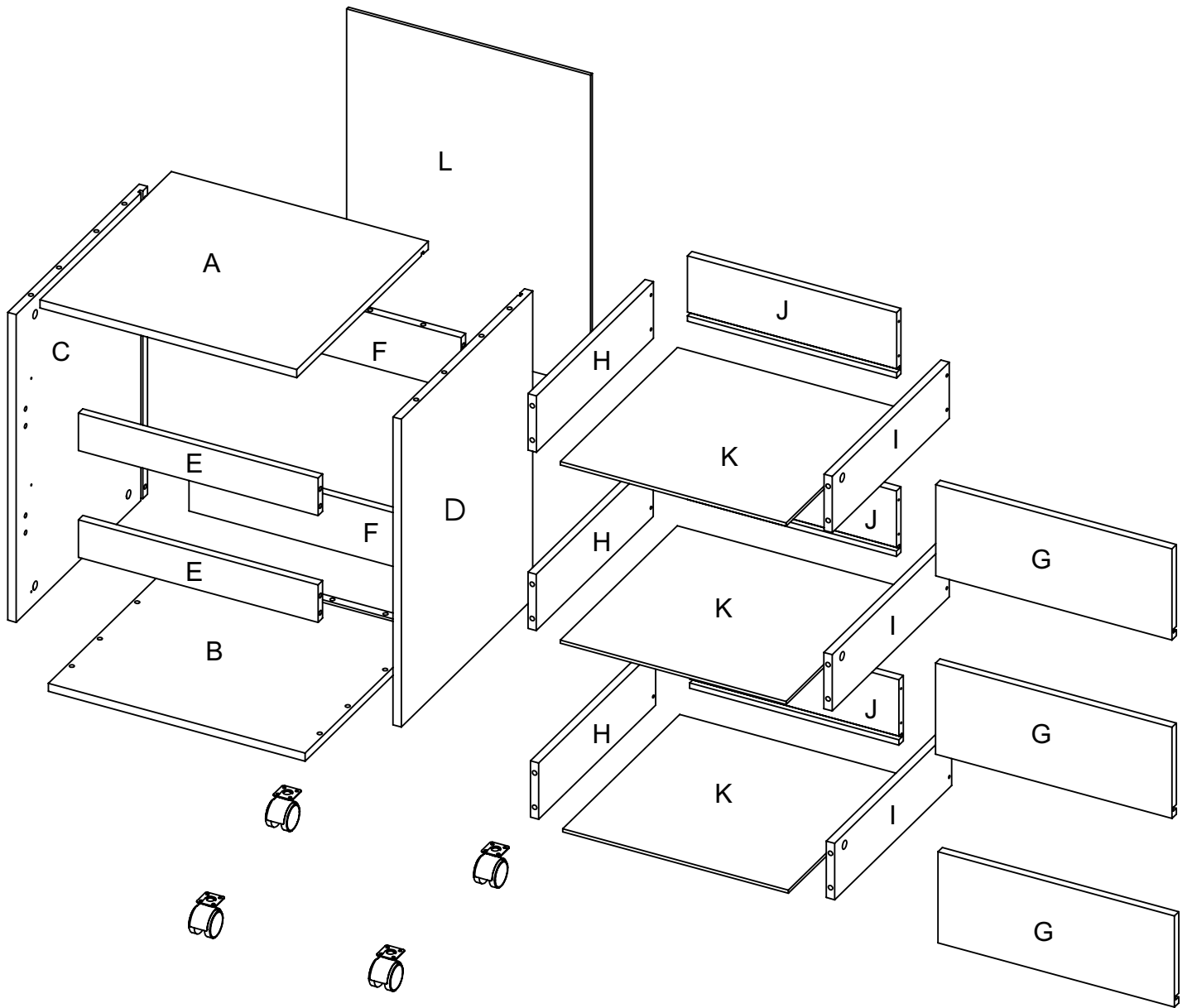
Sheet Metal Screw
Tornillo Lámina 6x9/16

Hardware items are NOT shown actual size.

Los herrajes no se muestran en el tamaño real.

ASSEMBLY PARTS

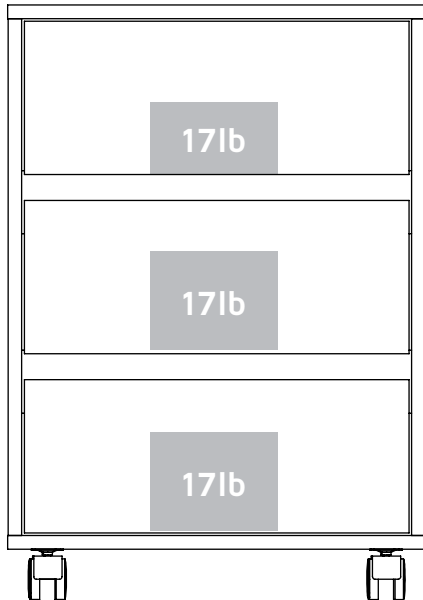
PIEZAS DE ARMADO



A - x1	F - x2	K - x3
B - x1	G - x3	L - x1
C - x1	H - x3	
D - x1	I - x3	
E - x2	J - x3	

MAX SUGGESTED LOADS

CARGAS MÁXIMAS SUGERIDAS



ASSEMBLY RECOMMENDATIONS

RECOMENDACIONES DE ENSAMBLE

Two people are recommended to assemble the product.

Ensamble el mueble entre dos personas.

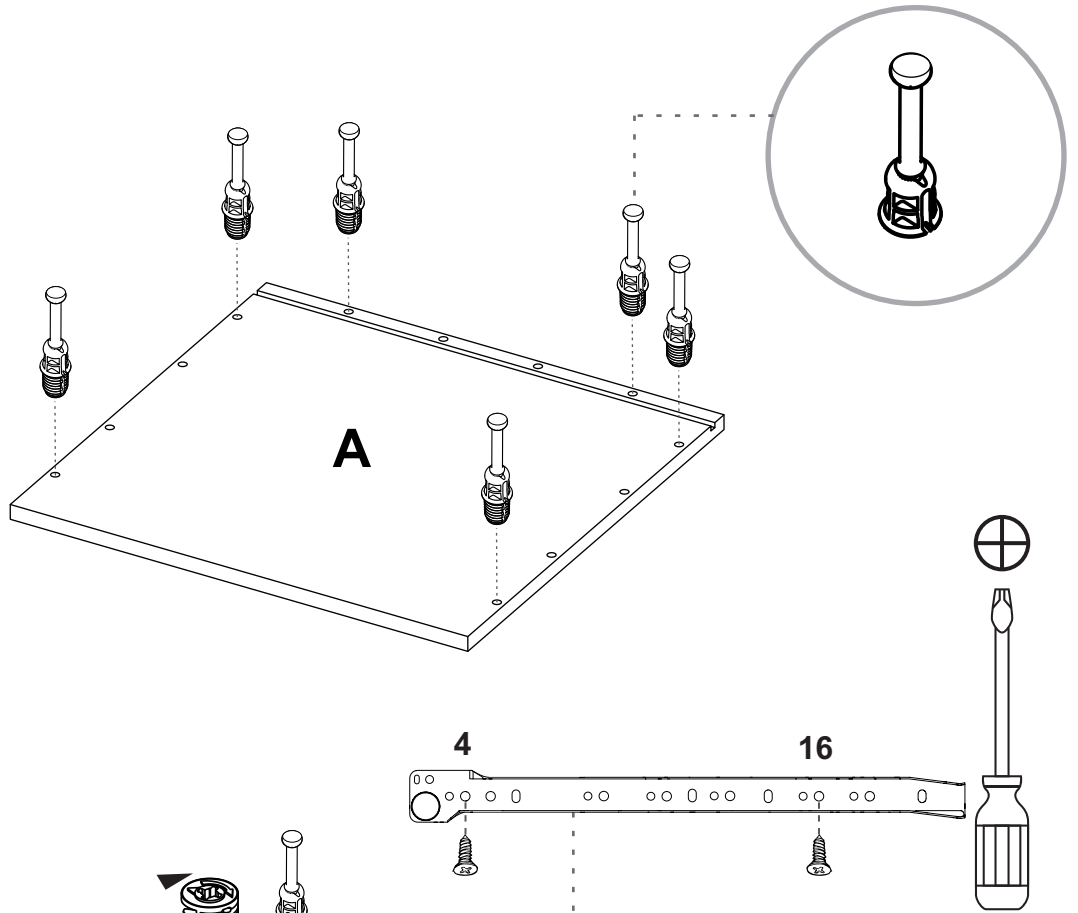
Assemble the cabinet on a flat, smooth surface, preferably on a carpeted floor or the carton box of the product.

Ensamble el mueble sobre una superficie plana y lisa, preferiblemente sobre un tapete o el cartón de la caja

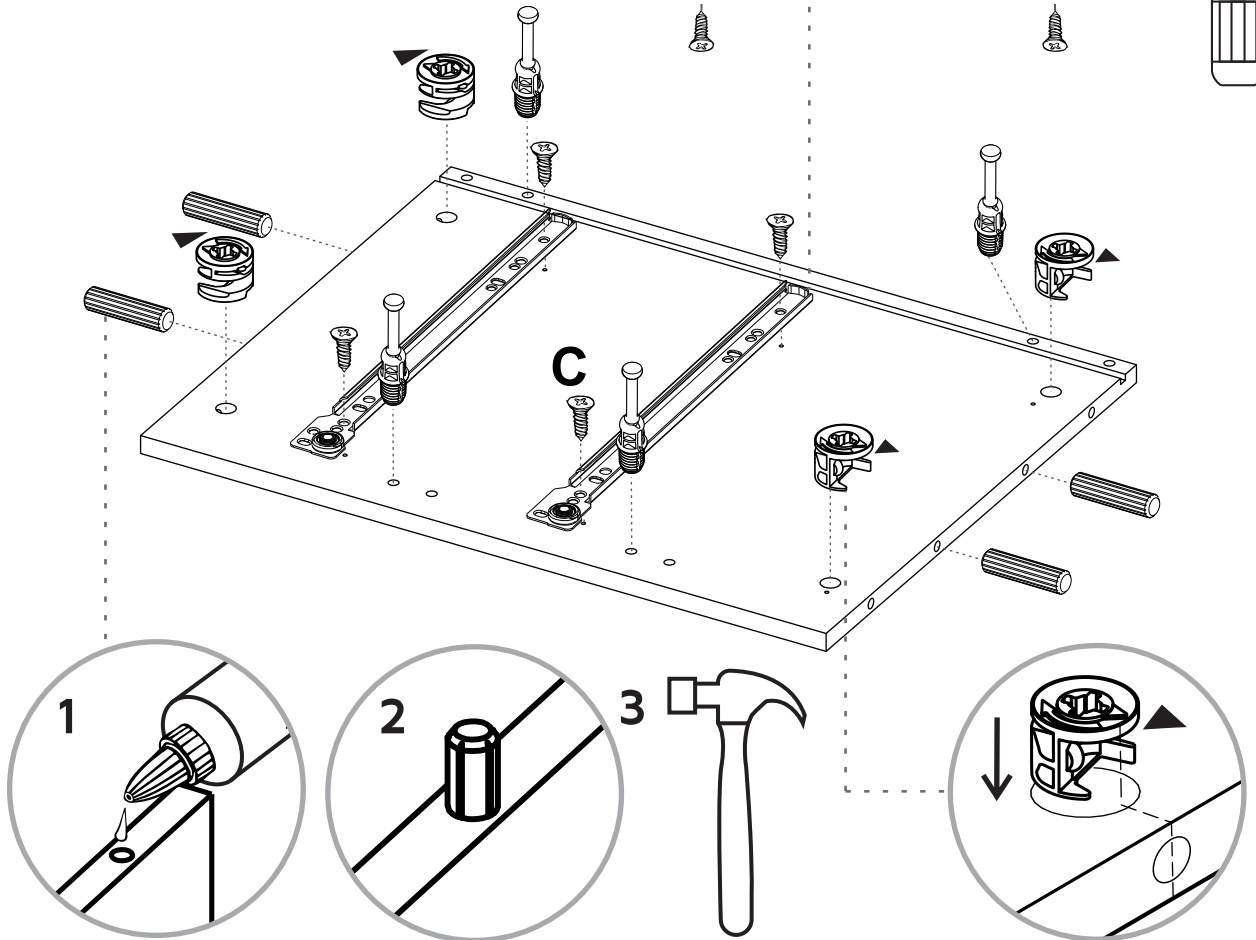
Carefully read the assembly instructions and identify every wood and hardware part before start assembling the cabinet.

Lea cuidadosamente las instrucciones e identifique todas las piezas y herrajes antes de empezar a armar el mueble.

1

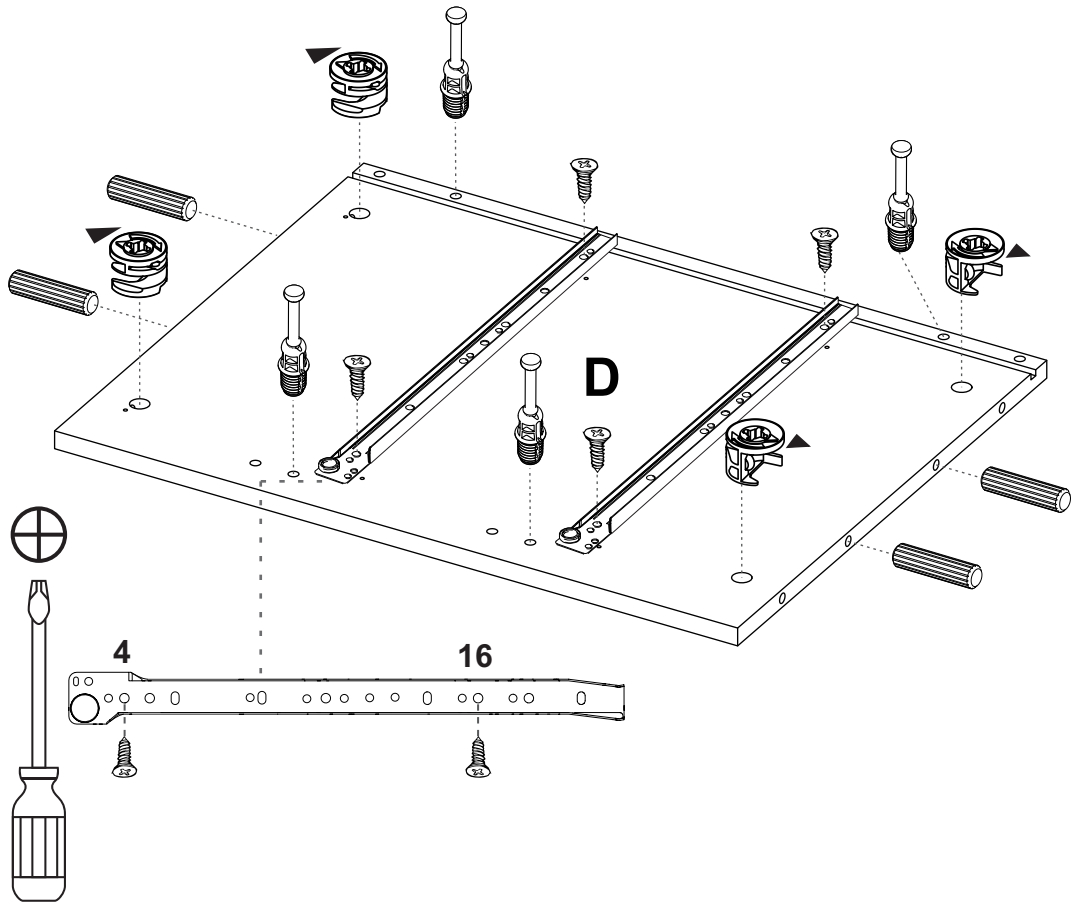


2

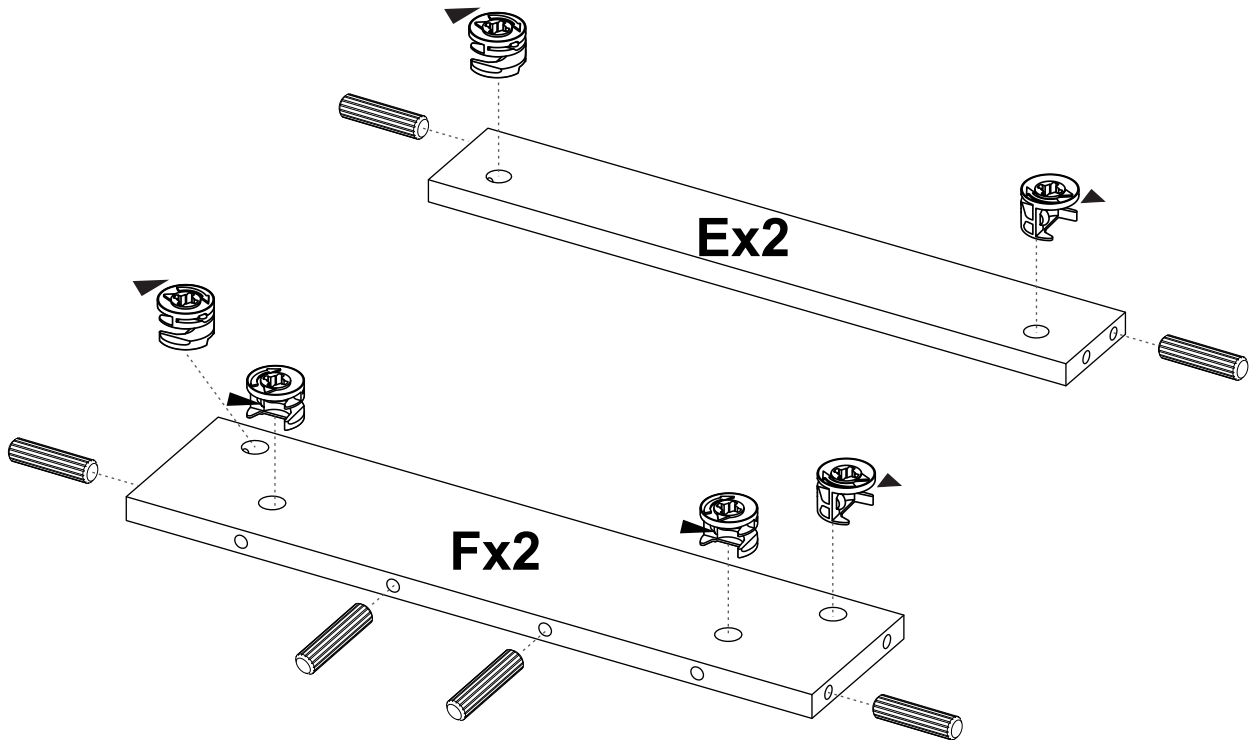


Repeat this in the following steps
 Repita esto en todos los ensambles

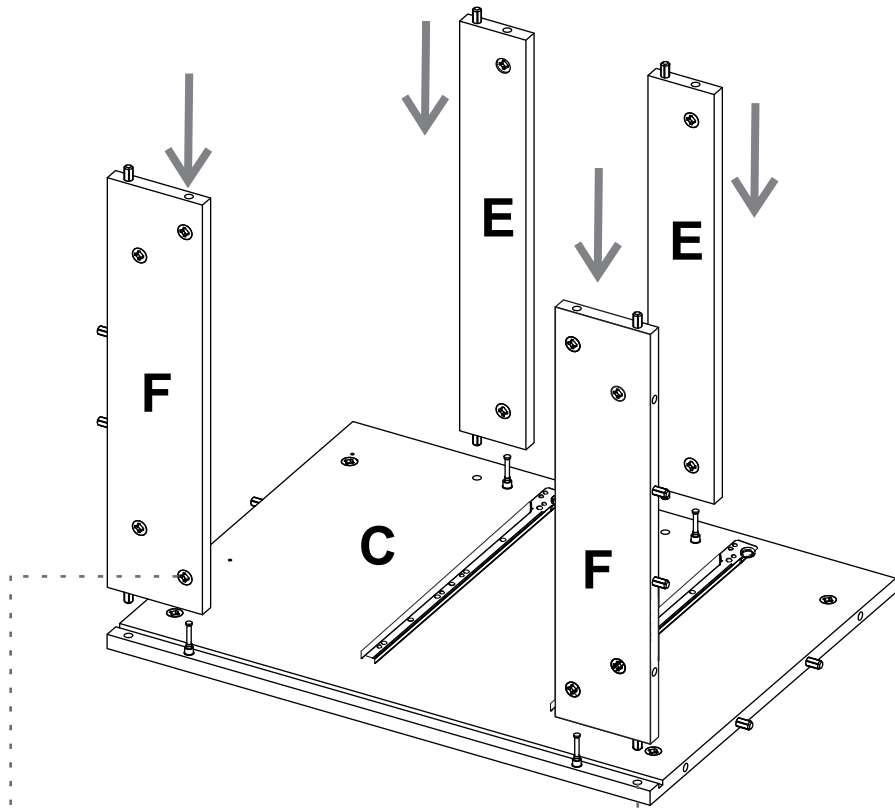
3



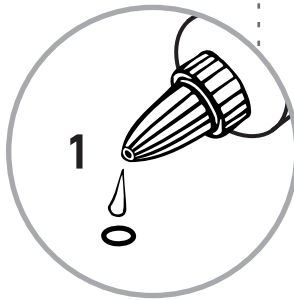
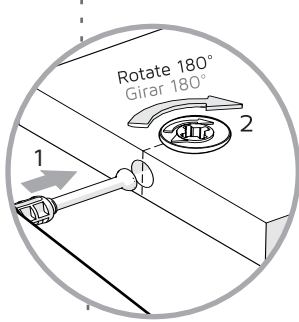
4



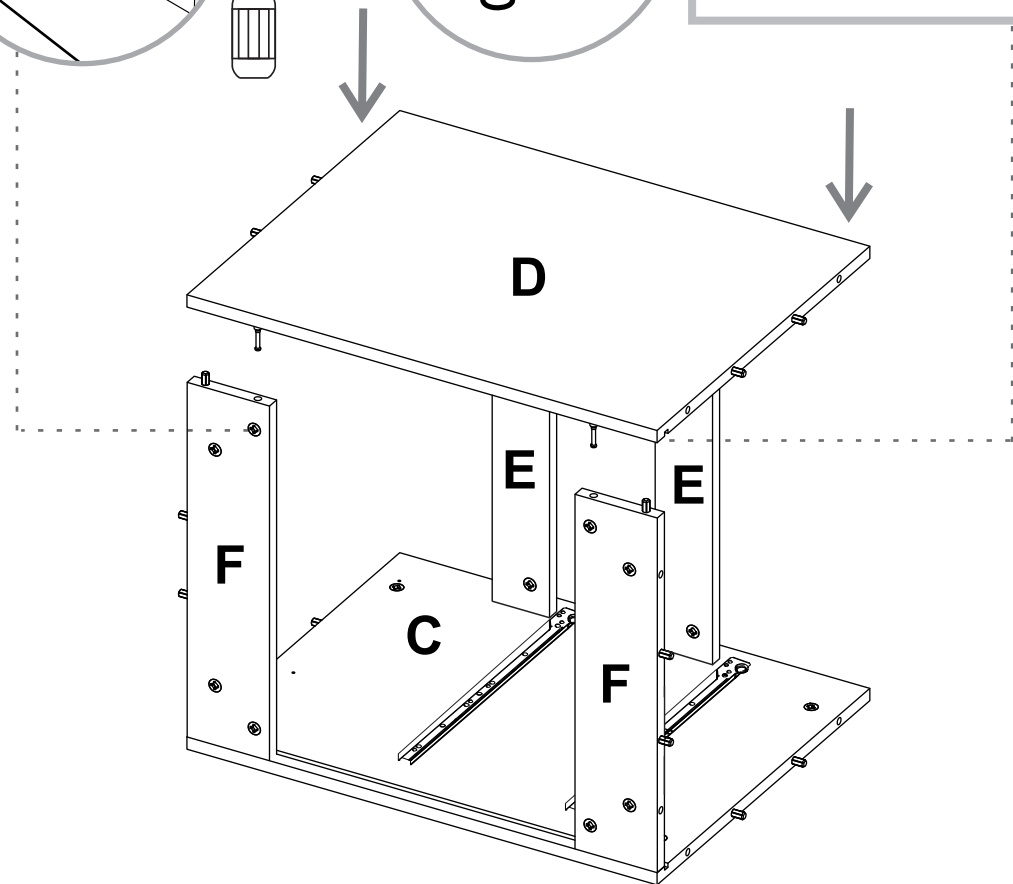
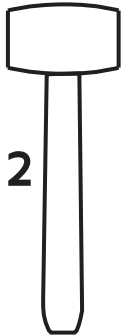
5



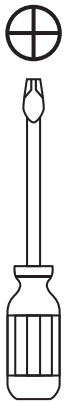
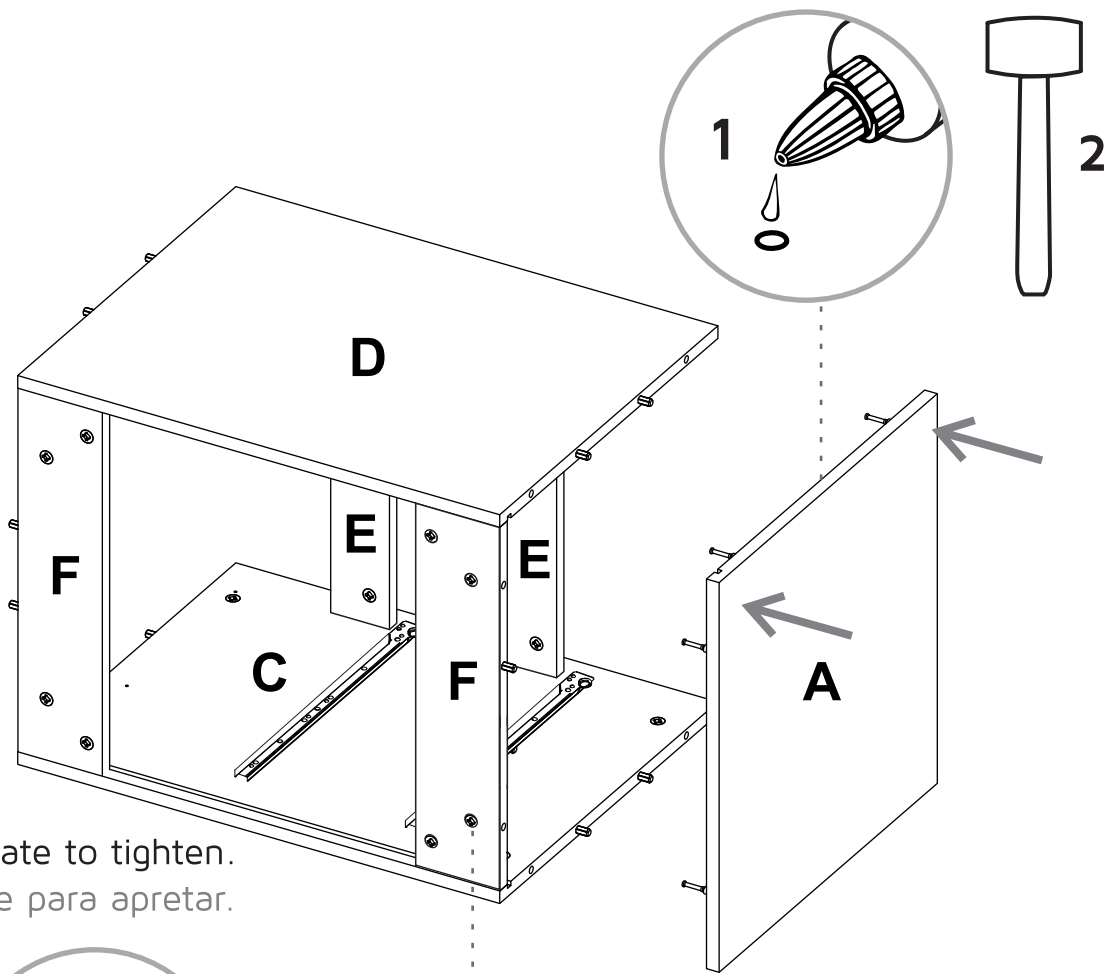
6



Gently hit the pieces with a rubber hammer to adjust the joint.
Golpee suavemente la pieza con un martillo de goma para ajustar el ensamble.

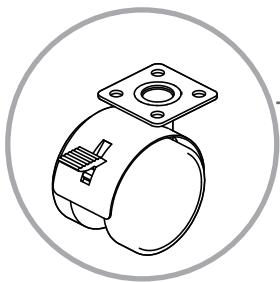
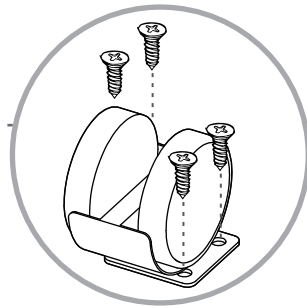
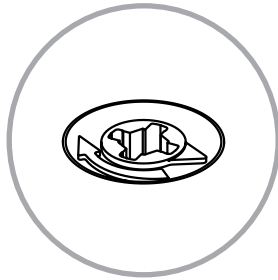


7

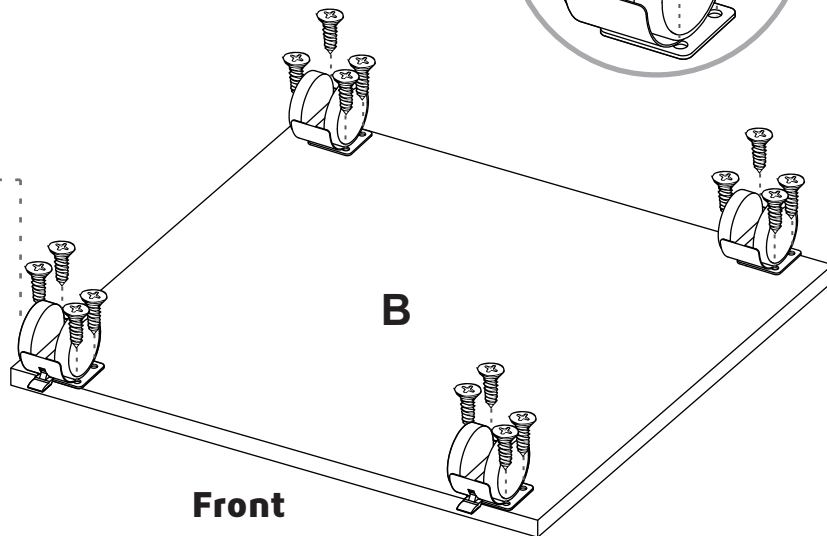


Rotate to tighten.
Gire para apretar.

8

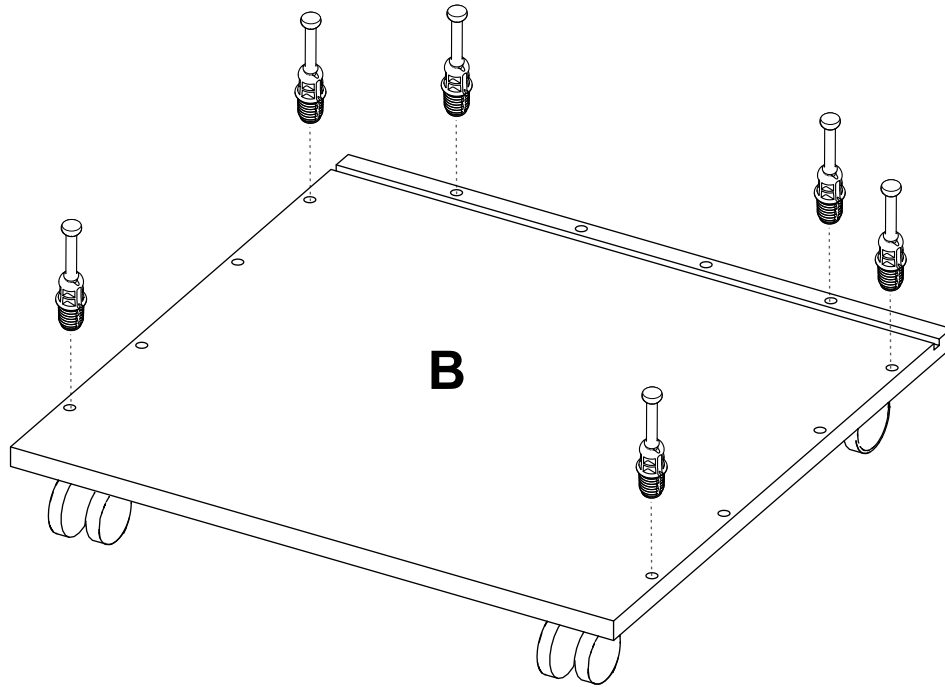


Wheel Caster with
Brake
Rodachina con freno



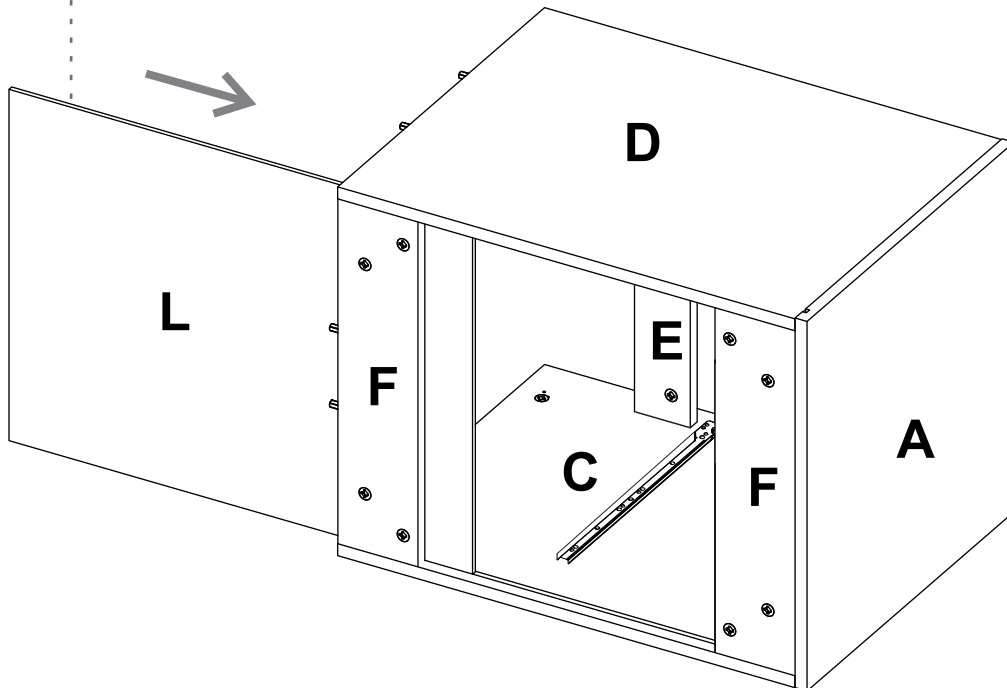
Turn Over
Voltrear

9

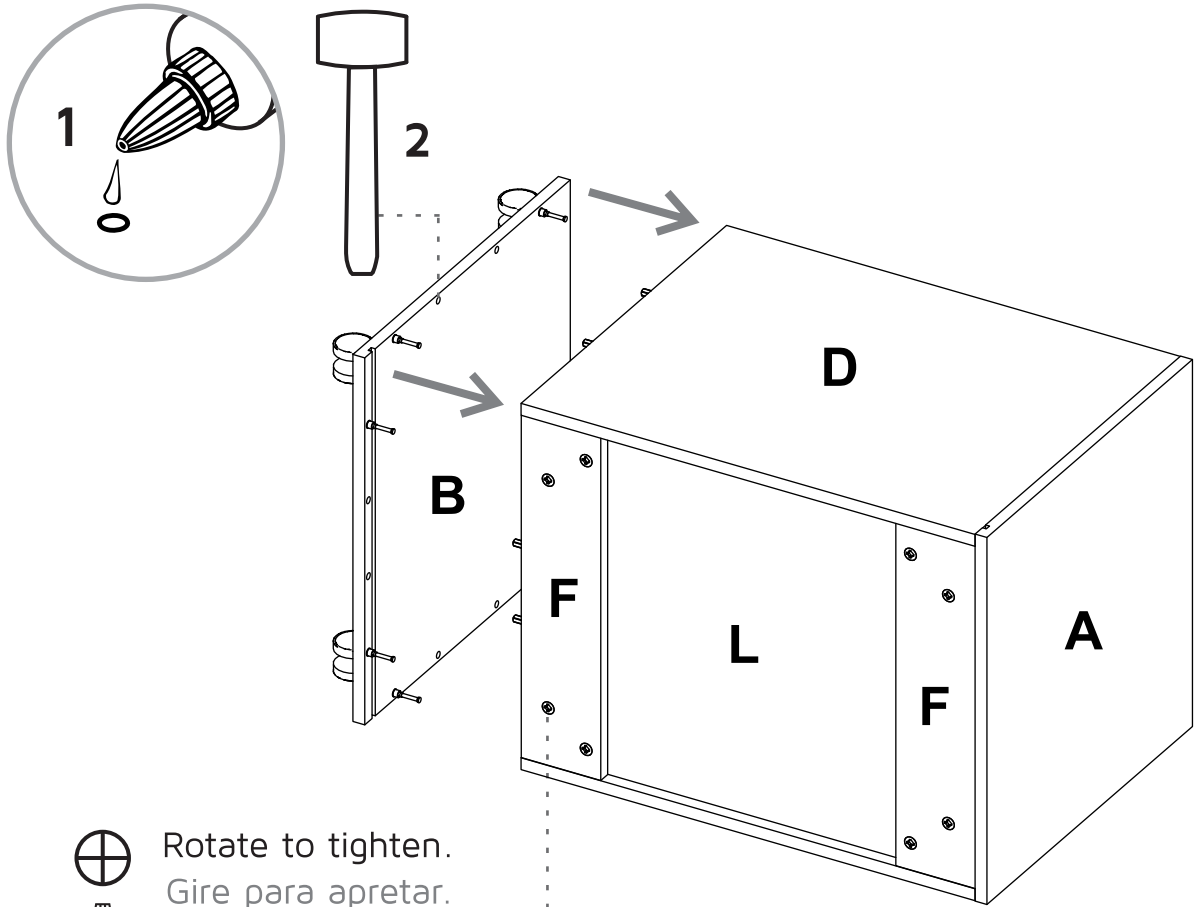


10

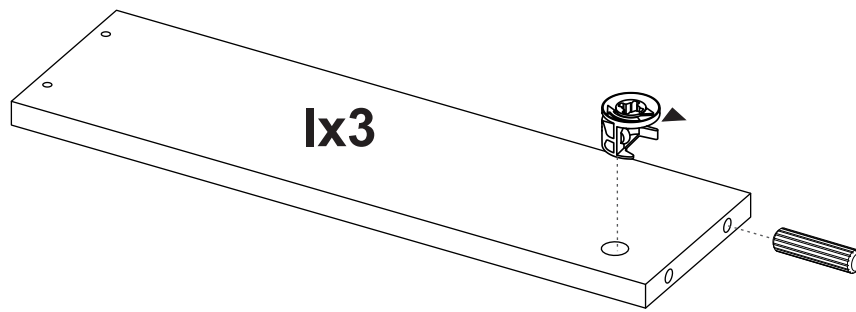
Slide the back panel
inside the cabinet
Deslice el fondo
dentro del mueble



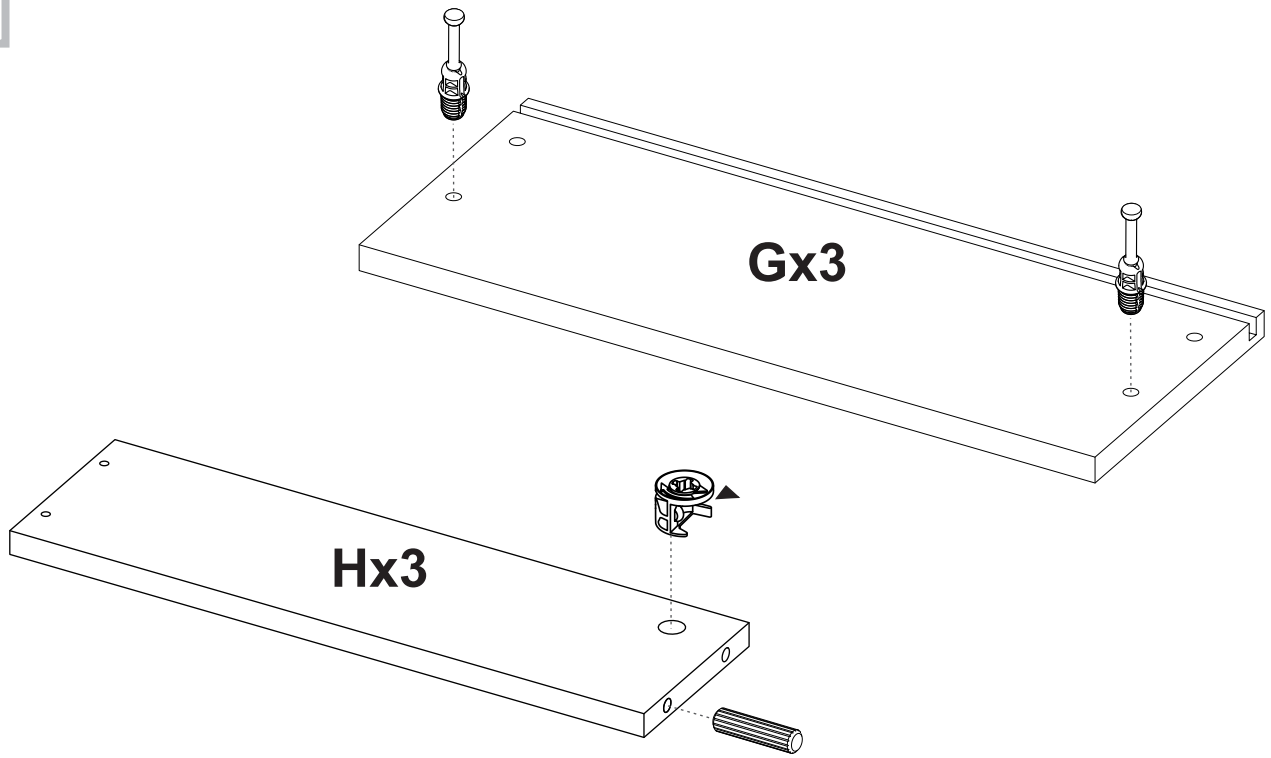
11



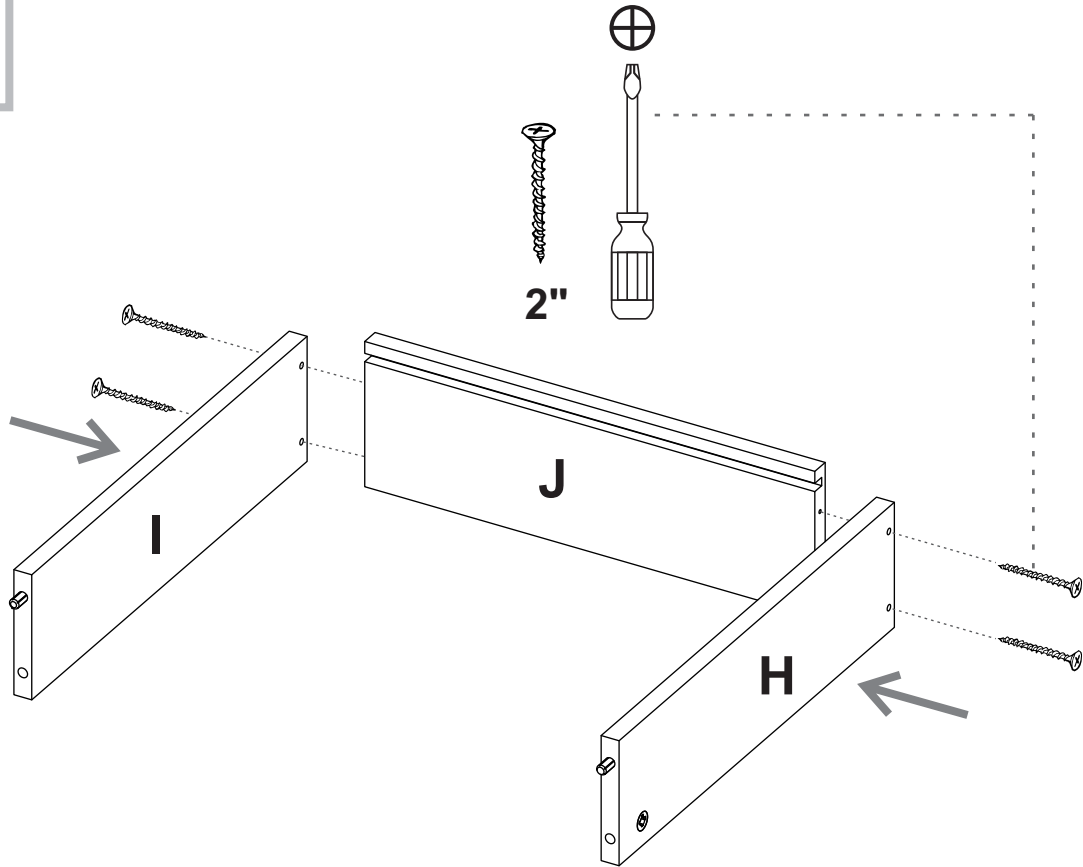
12



13

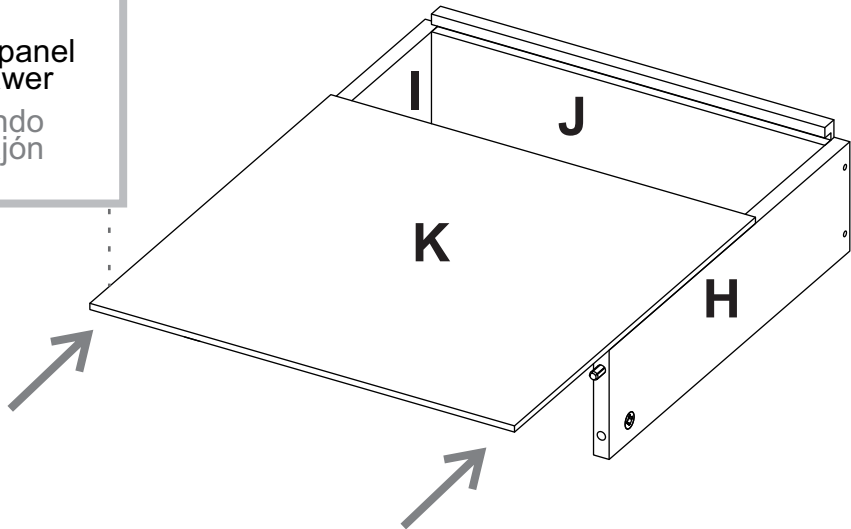


14 x3

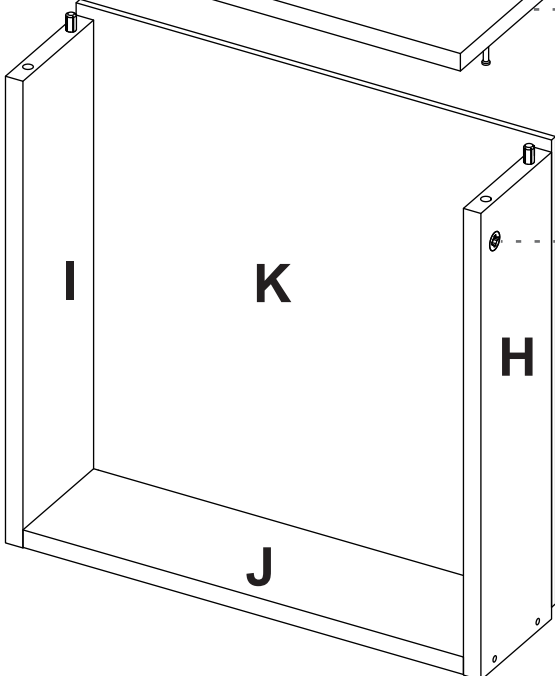
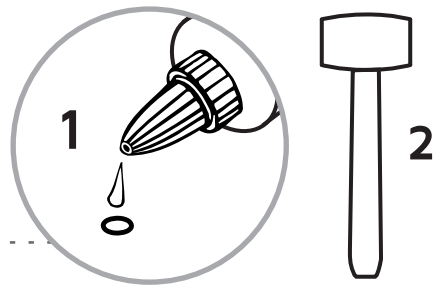
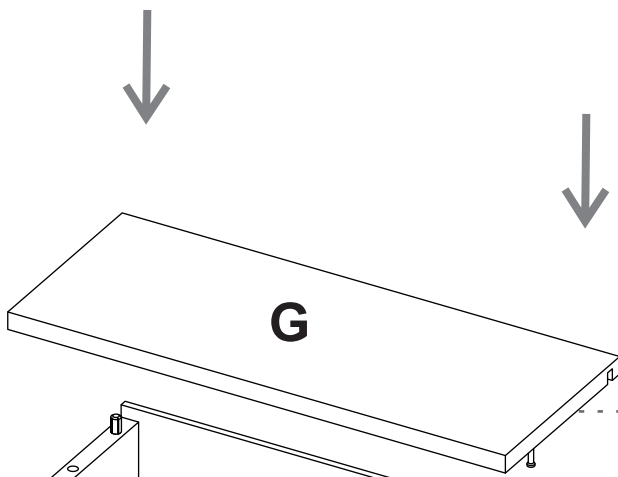


15 x3

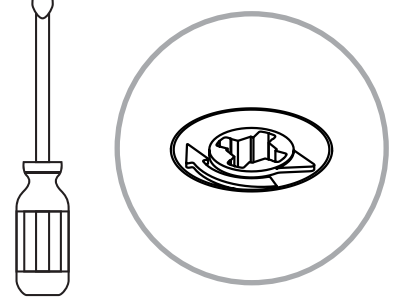
Slide the back panel
inside the drawer
Deslice el fondo
dentro del cajón



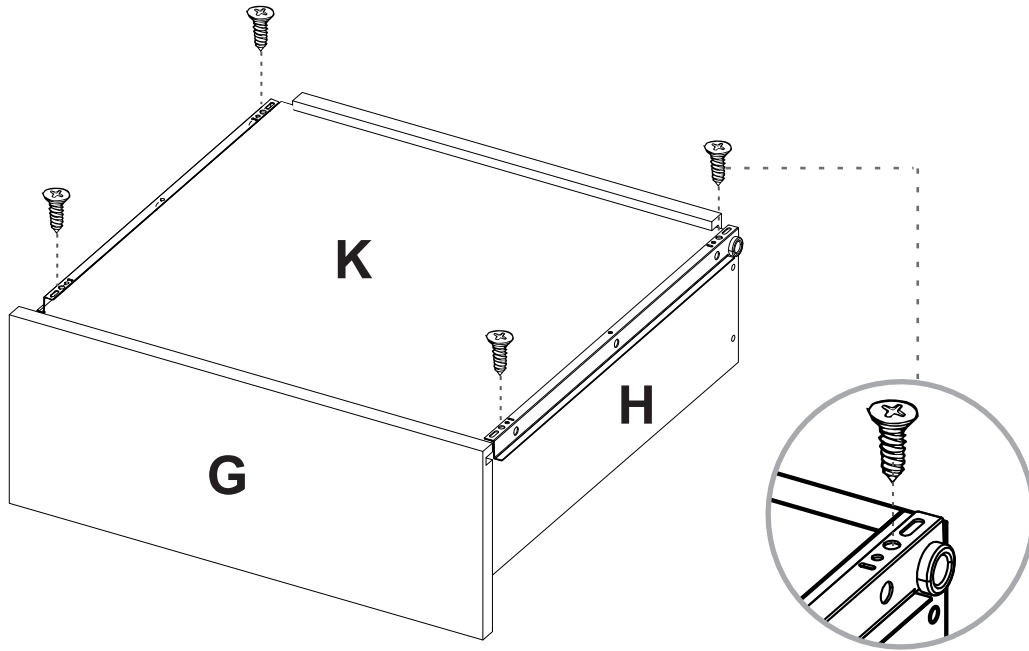
16 x3



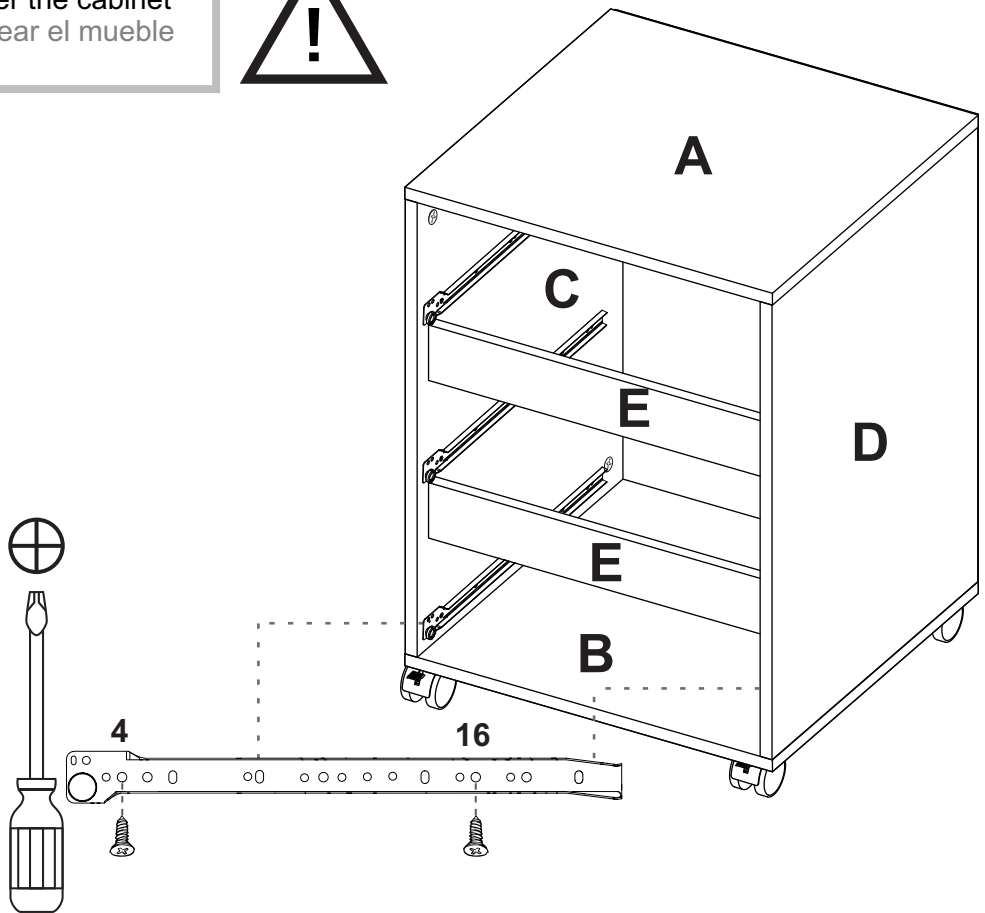
Rotate to tighten.
Gire para apretar.



17 x3

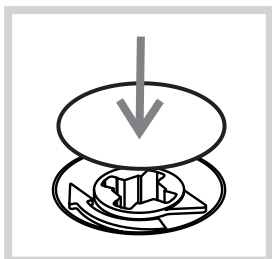
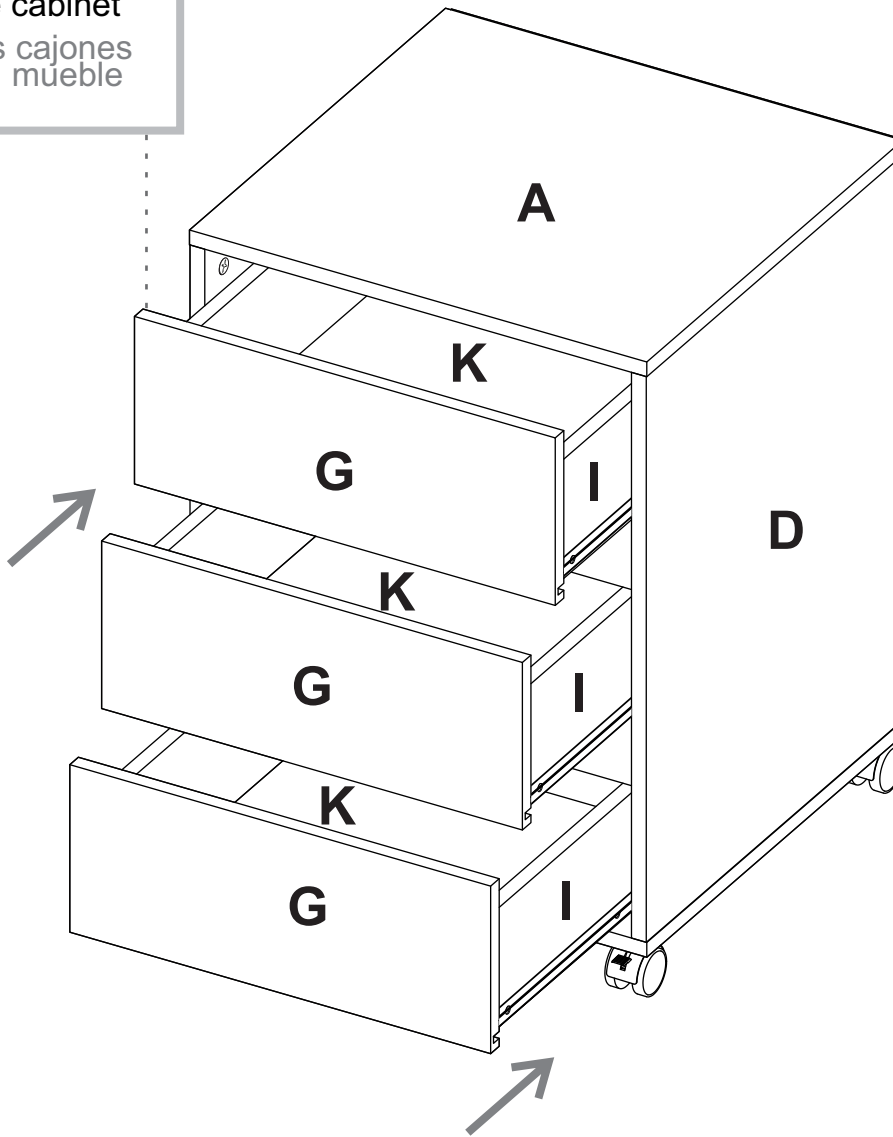


18 Be careful turning over the cabinet
Tenga cuidado al voltear el mueble



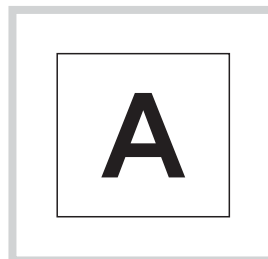
Slide the drawers
inside the cabinet

Deslice los cajones
dentro del mueble



After you finish the adjustment
of the cams, cover them with
the cover caps.

Después de ajustar todas las
cajas minifix, cúbralas con las
tapas adhesivas.



After you finish assembling the
cabinet, take off the adhesive
letters.

Al terminar de armar, despegue
las letras adhesivas.

WARRANTY POLICY

PÓLIZA DE GARANTÍA

Furniture has a 3 year warranty coverage in wooden parts and 1 year warranty coverage in hardware pieces since its manufacturing date, which you can see in the lot number printed on the product box and the assembly instructions leaflet.

Warranty covers materials and workmanship imperfections which impair the assembly or correct functioning of the cabinet.

This warranty is not valid if the defects or imperfections are caused by the incorrect following of the assembly instructions, warnings and recommendations, misuse, intentional damage, fire or flood, or after modifications or any kind of alteration, or repaired by someone not authorized by Furniture, when it's been assembled 3 months after the date of purchase. These defects MUST be reported before the warranty coverage period ends. Once the product has been assembled, the company will not be responsible for defective and/or damaged parts.

This warranty is ONLY valid for the ORIGINAL PURCHASER, it doesn't apply if the product has been resold, rented, etc.

Furniture will take no liability for incidental or consequential damages caused to or by the product (This may not apply in your state).

To make this warranty valid you must write to our customer service email describing the product defect, lot number and submitting your sales receipt or proof of purchase, or contact us at our customer service line. Replaced parts will be under the product's original warranty coverage period. Damaged parts will become property of the company.

There are no other warranties applicable to this product.