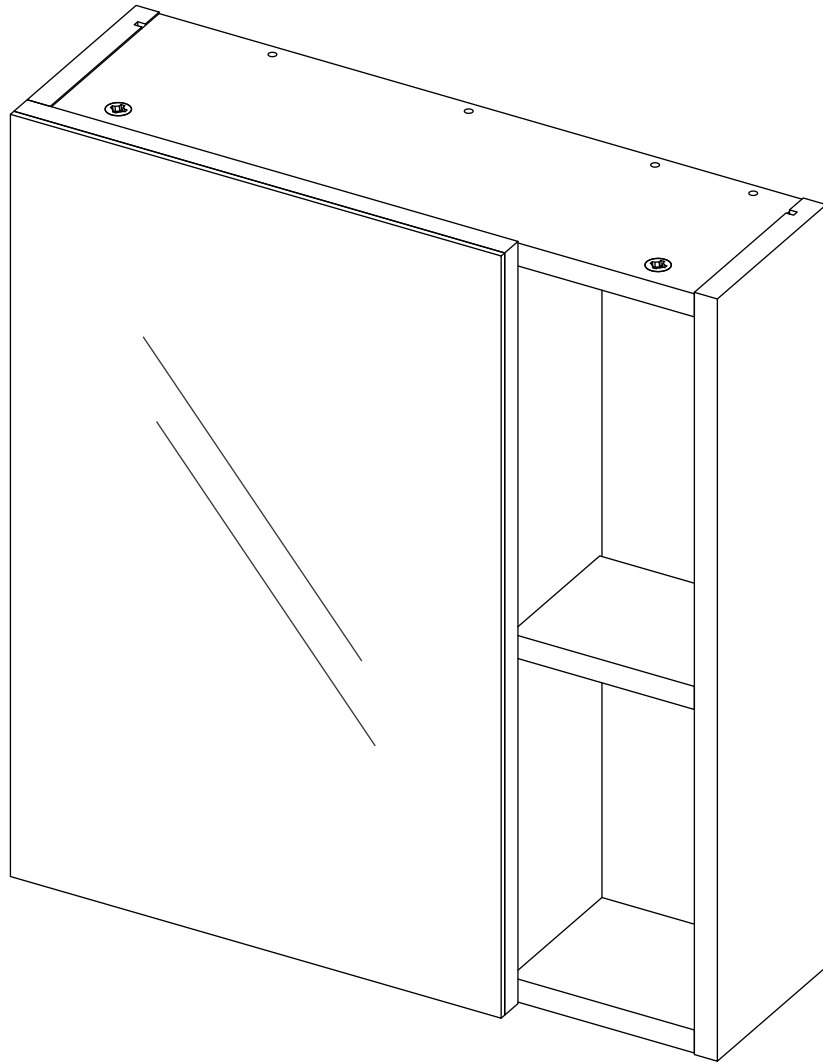


ASSEMBLY INSTRUCTIONS

INSTRUCCIONES DE ENSAMBLE



Height: 19,56 in Alto: 49,7 cm
Width: 17,71 in Ancho: 45 cm
Depth: 5,43 in Fondo: 13,8 cm

LOT N°

REF./SKU. GLW4766 - GLC4767

IF ANY PARTS ARE BROKEN OR MISSING PLEASE
CONTACT US AT: 1-888-391-01-66 /
customerservicetuhome@rta.com.co
OUR CUSTOMER SERVICE TEAM WILL PROVIDE
YOU HELP TO RESOLVE ANY ISSUES IMMEDIATELY

LABELLE MIRROR CABINET

Gabinete de Baño LaBelle



IMPORTANT RECOMMENDATIONS

Do not paint the cabinet.

The cabinet **MUST** be used exclusively indoors, do not expose to direct sun.

Clean metallic hardware with a dry cloth.

Do **NOT** overload the cabinet (see suggested loads).

Do not hit or hammer the cabinet (just when indicated).

Clean with a slightly damp cloth, use gentle soaps.

Do not drag, lift and move between two people.

Avoid direct contact with water, fire or exposure to heat sources.

RECOMENDACIONES IMPORTANTES

No pintar el mueble.

El mueble debe ser usado únicamente en interiores, no exponer al sol directo.

Limpiar los herrajes metálicos con un paño seco.

NO sobrecargar el mueble (ver las cargas sugeridas).

No golpear ni martillar el mueble (solo cuando se indique).

Limpiar con un paño ligeramente húmedo, usar jabones suaves.

No arrastre el mueble, levántelo entre dos personas.

Evite el contacto directo con el agua, el fuego o la exposición a fuentes de calor.



WARNING

Never allow children to climb or manipulate the cabinet, furniture tip over can cause serious injuries or death.



ADVERTENCIA

Nunca permita que los niños escalen o manipulen el mueble, la caída de este puede provocar lesiones graves o la muerte.

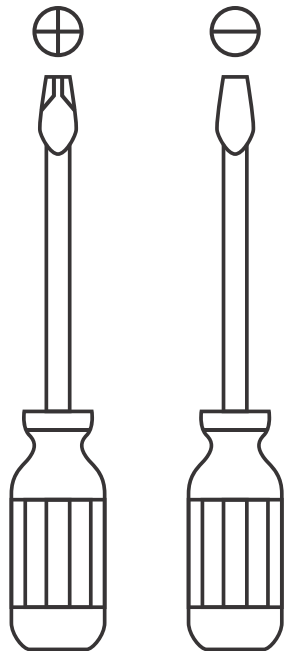
INDEX

Assembly Hardware.....	4
Assembly Parts.....	5
Suggested Loads.....	6
Assembly Recommendations.....	6
Assembly Steps.....	7-20
Warranty.....	21

ÍNDICE

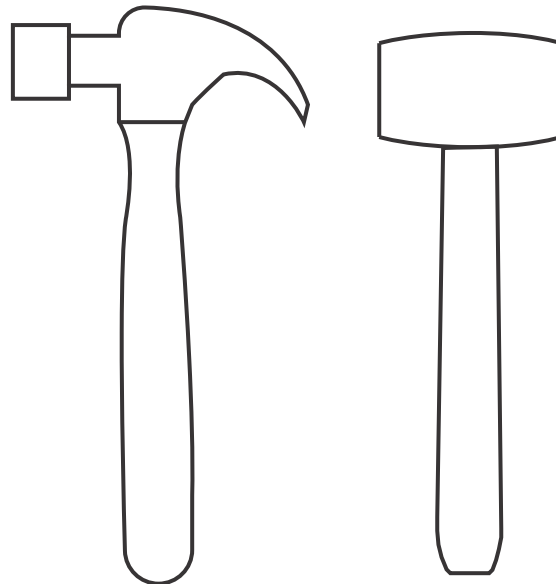
Herrajes para Armado.....	4
Piezas de Armado.....	5
Cargas Sugeridas.....	6
Recomendaciones de Ensamble.....	6
Pasos de Armado.....	7-20
Garantía.....	21

REQUIRED TOOLS*



*Not included, and not shown actual size.

HERRAMIENTAS NECESARIAS*



*No incluidas y no se muestran en tamaño real.

ASSEMBLY HARDWARE

HERRAJES PARA ARMADO

Please check that the hardware content is correct. If any item is missing, please call to our customer service line.

Compruebe que el contenido de los herrajes sea el correcto. En caso de que falte alguna pieza, por favor llame a nuestra línea de atención al cliente.



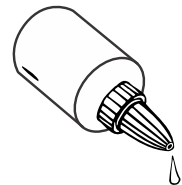
x12
Minifix Cams
Minifix



x12
Spreading Bolt
Perno Minifix



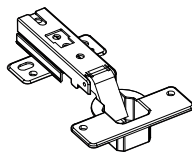
x21
Wood Dowel
Tarugo



x1
Glue
Pegante



x15
Cover Caps
Tapa Adhesiva
Minifix



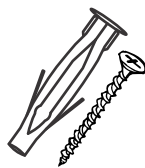
x2
Full Overlay Hinge
Includes Screws
Bisagra Parche 35mm
Incluye Tornillos



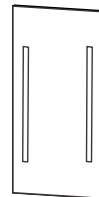
x4
2" Drywall Screw
Tornillo de Ensamble
2"



x12
Flat Head Screw
Tornillo Lámina



x3
Wall Anchor
+ Drywall Screw
Chazo Mariposa +
Tornillo Ensamble

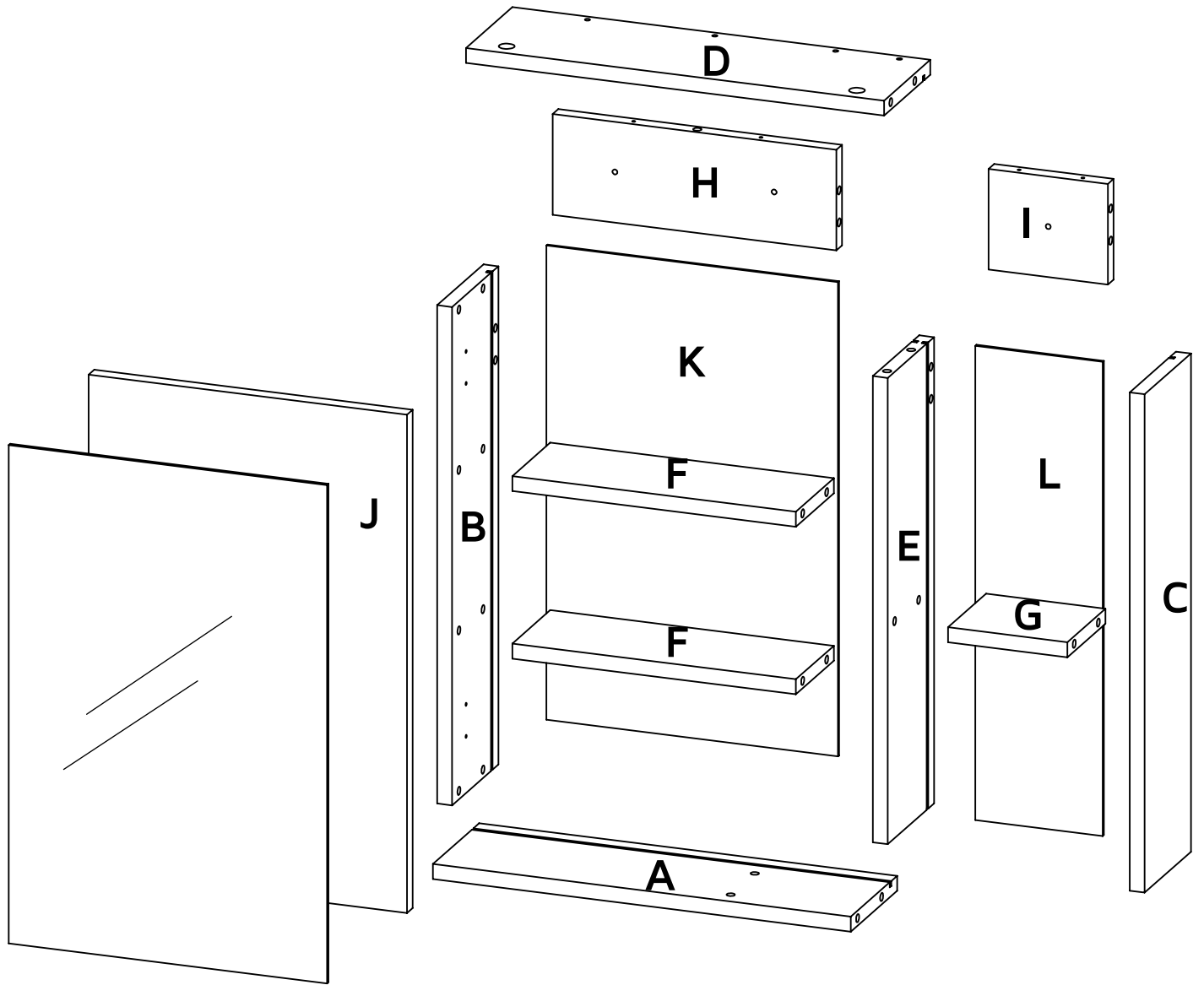


x1
Mirror + Tape
Espejo + Cinta

Hardware items are NOT shown actual size.
Los herrajes no se muestran en tamaño real.

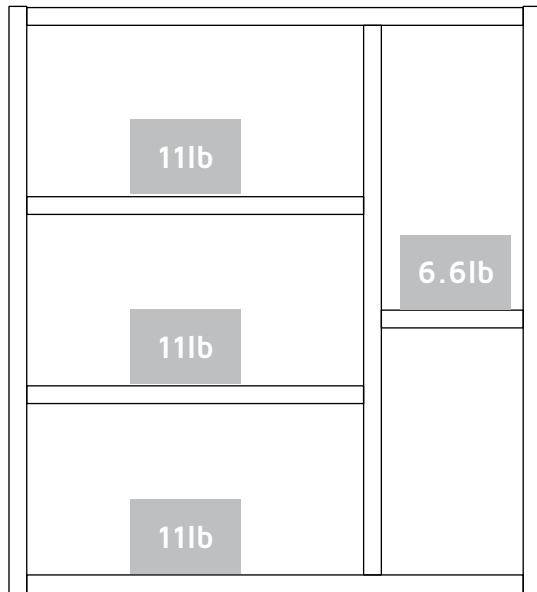
ASSEMBLY PARTS

PIEZAS DE ARMADO

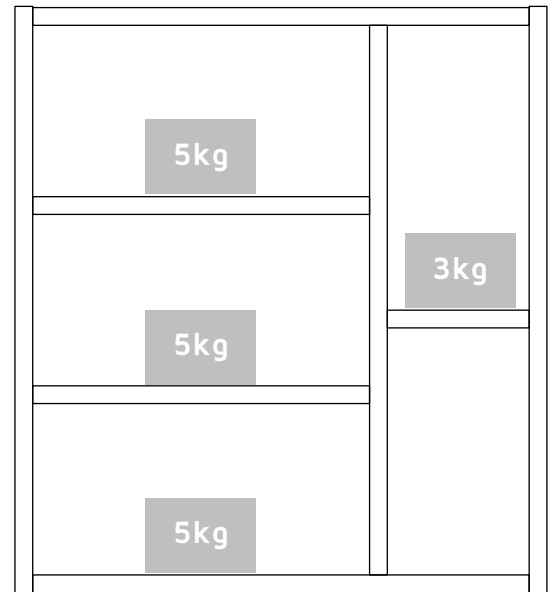


A - x1	E - x1	J - x1
B - x1	F - x2	K - x1
C - x1	G - x1	L - x1
D - x1	H - x1	

MAX SUGGESTED LOADS



CARGAS MÁXIMAS SUGERIDAS



ASSEMBLY RECOMMENDATIONS

Two people are recommended to assemble the product.

Assemble the cabinet on a flat, smooth surface, preferably on a carpeted floor or the carton box of the product.

Carefully read the assembly instructions and identify every wood and hardware part before start assembling the cabinet.

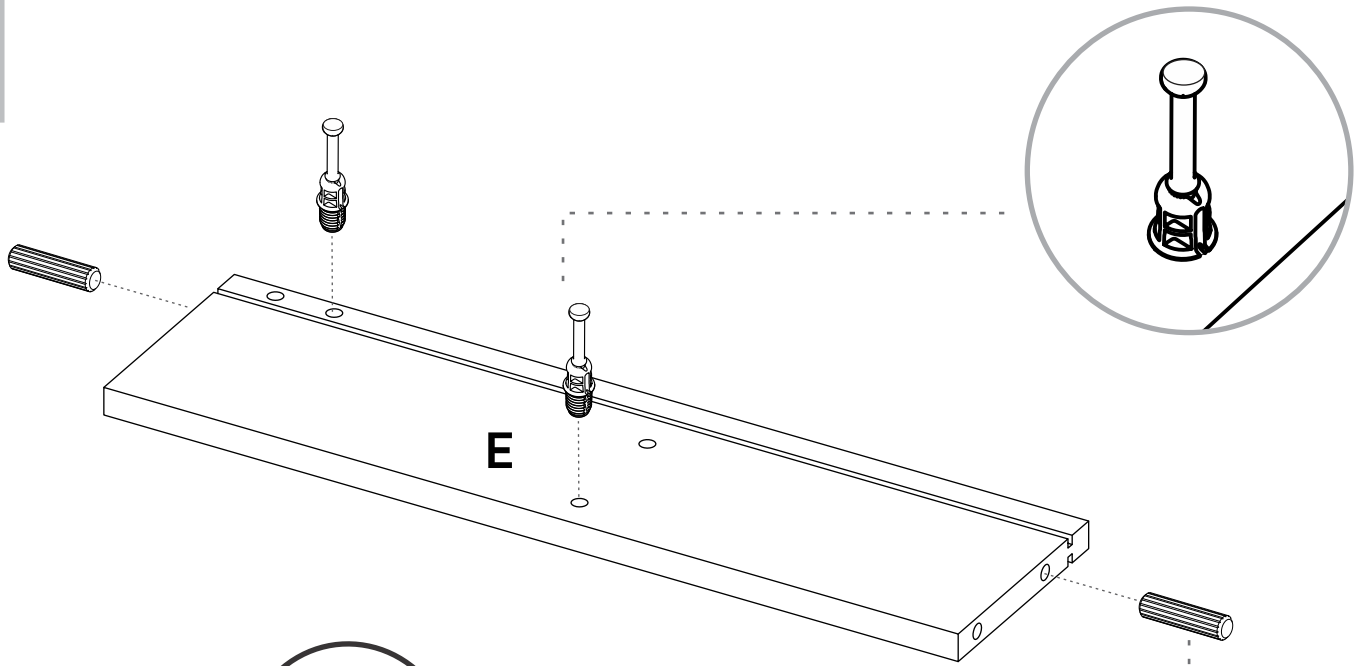
RECOMENDACIONES DE ENSAMBLE

Ensamble el mueble entre dos personas.

Ensamble el mueble sobre una superficie plana y lisa, preferiblemente sobre un tapete o el cartón de la caja

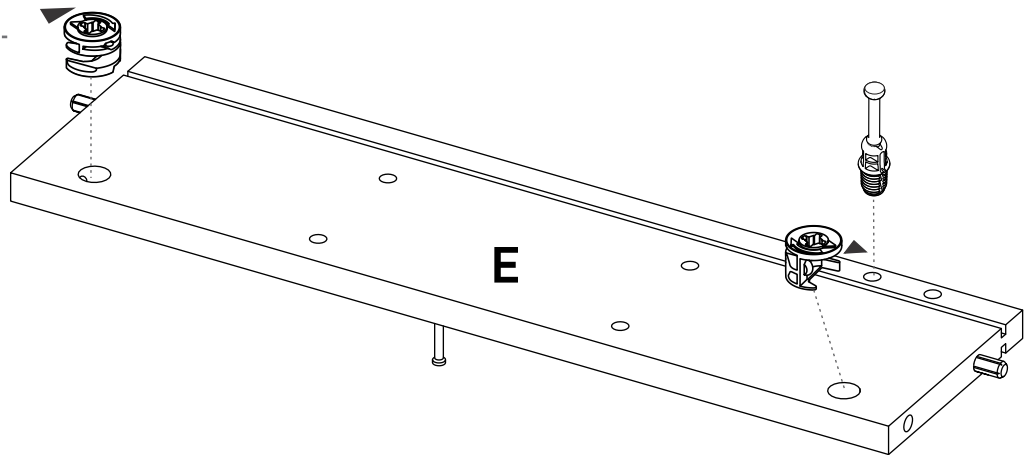
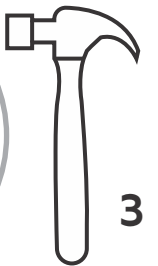
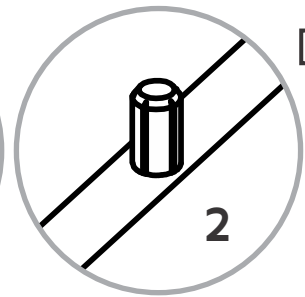
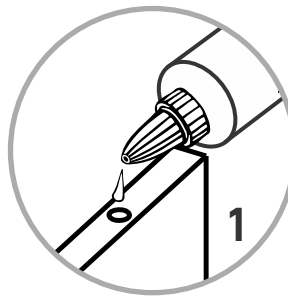
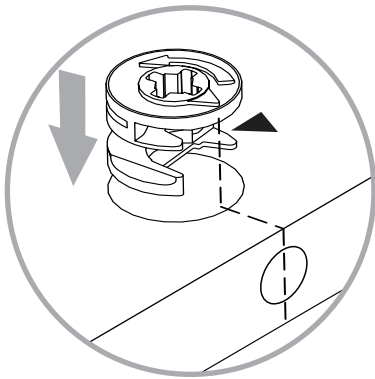
Lea cuidadosamente las instrucciones e identifique todas las piezas y herrajes antes de empezar a armar el mueble.

1

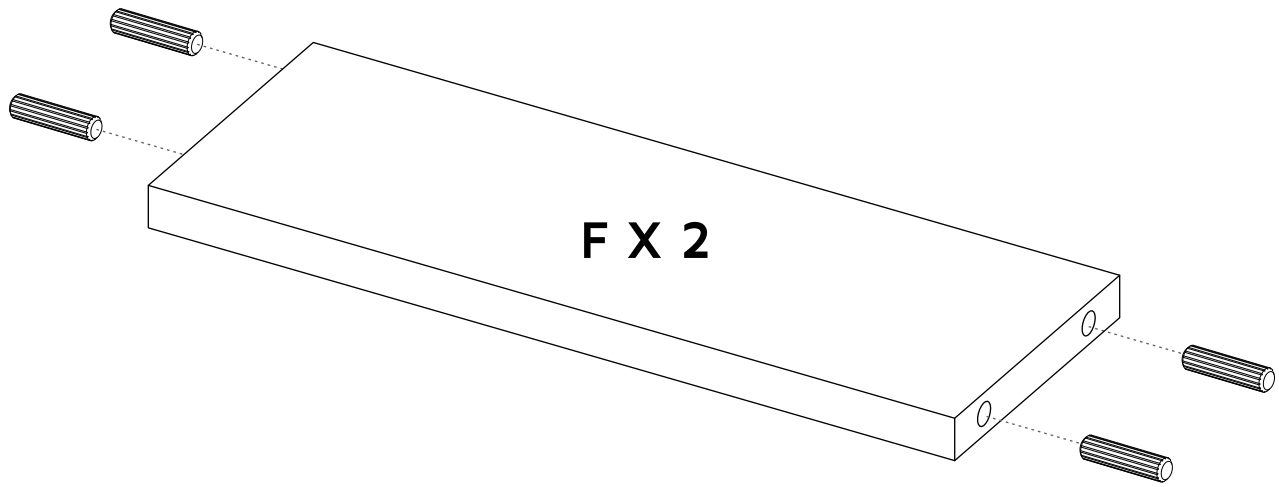


Turn Over
Voltear

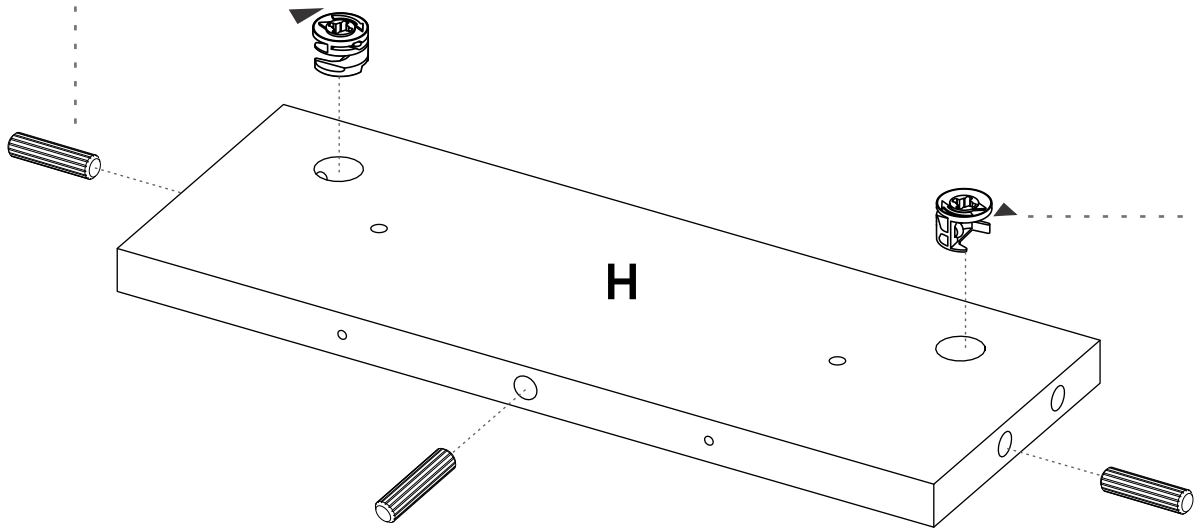
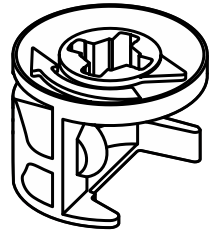
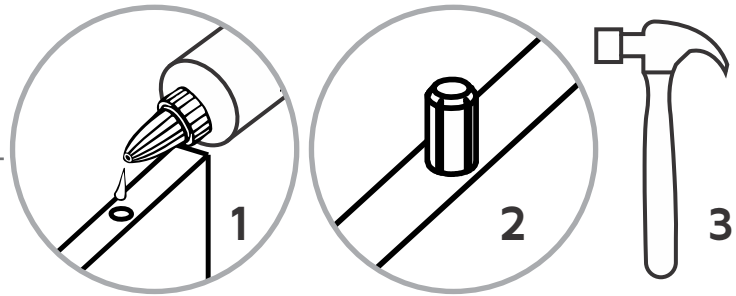
2



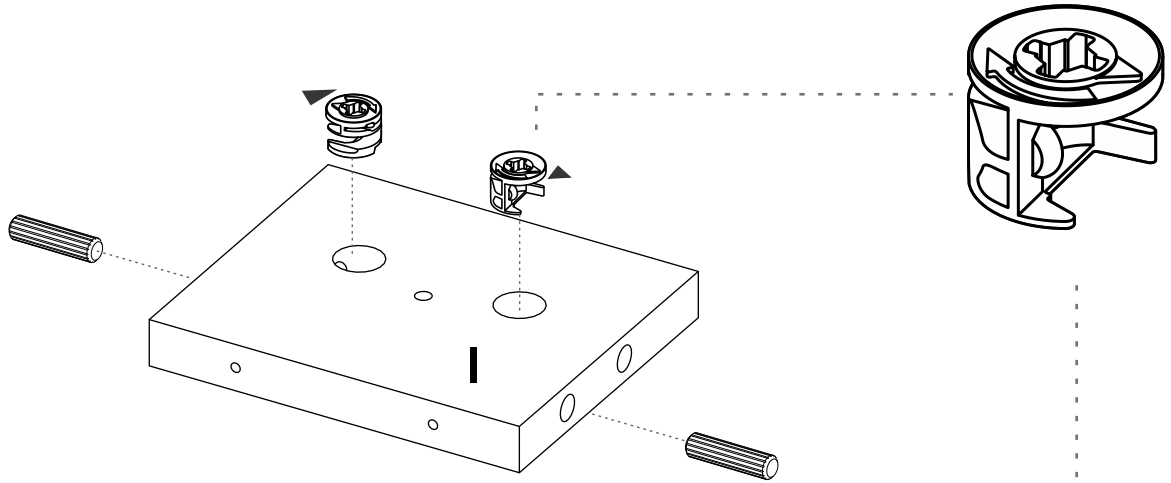
3



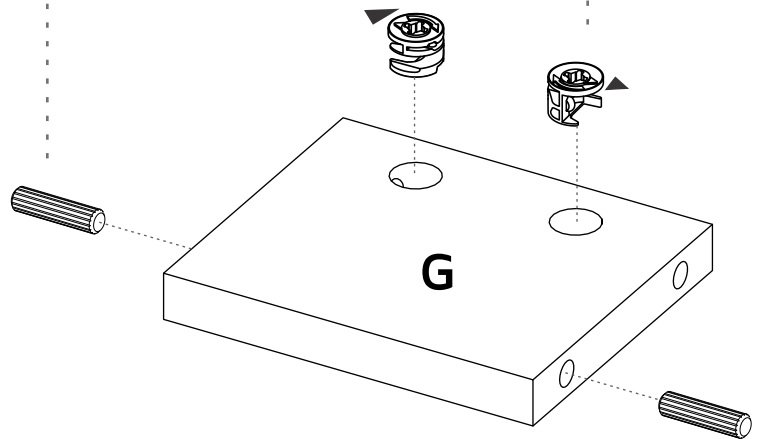
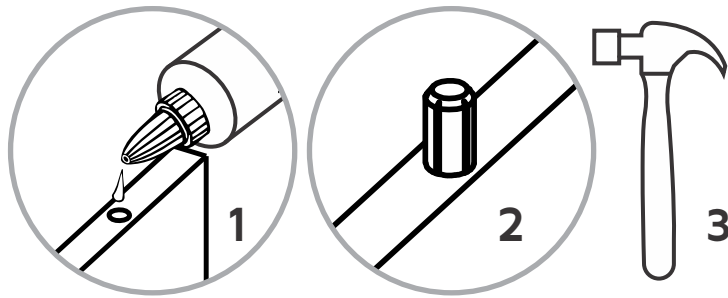
4



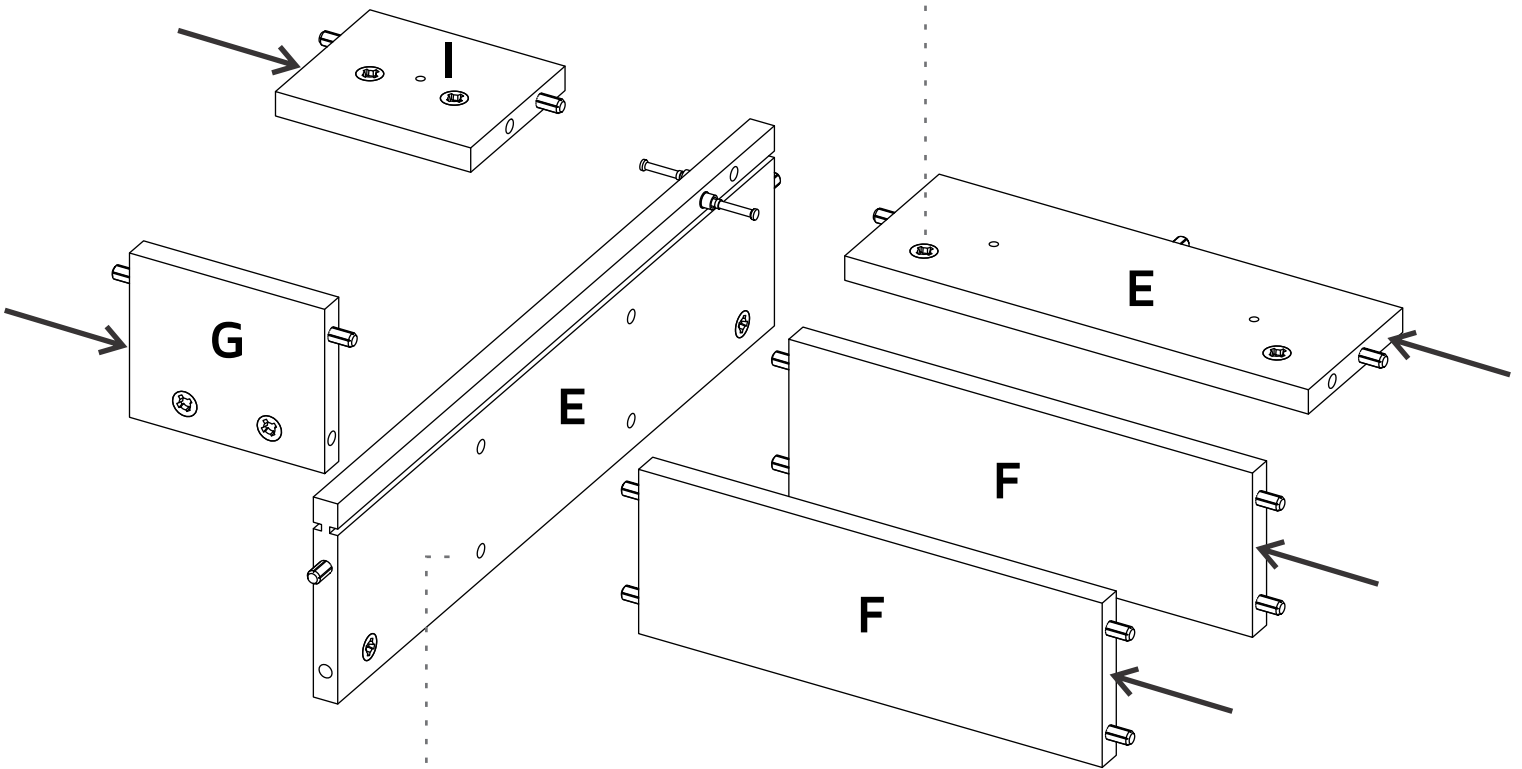
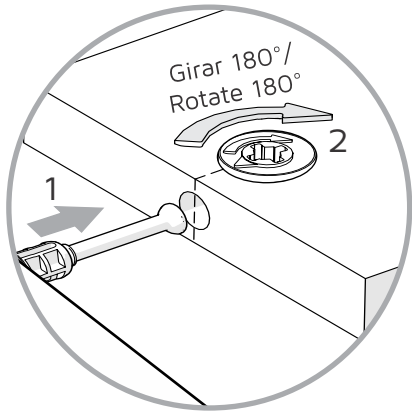
5



6

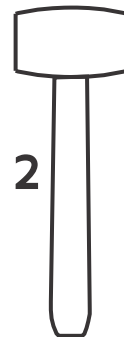


7

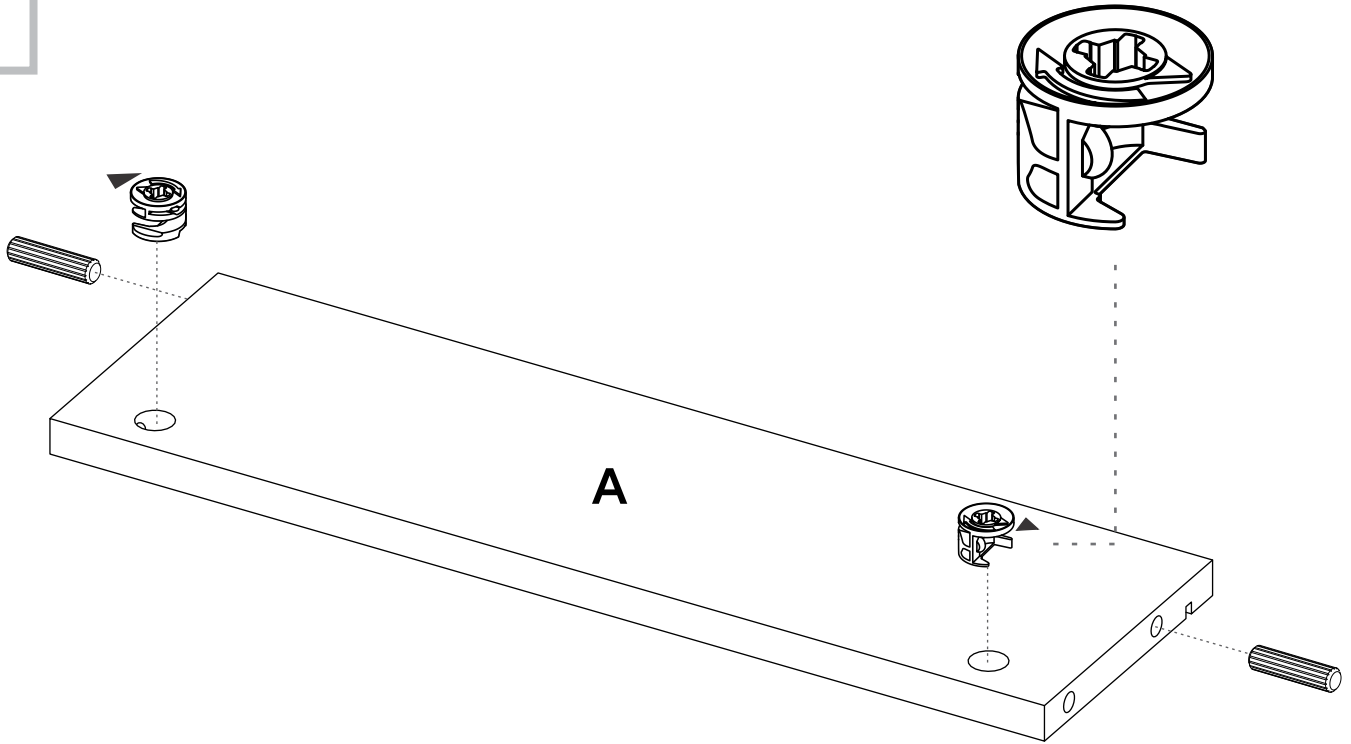


Gently hit the pieces
with a rubber hammer
to adjust the joint.

Golpee suavemente la
pieza con un martillo
de goma para ajustar
el ensamble.

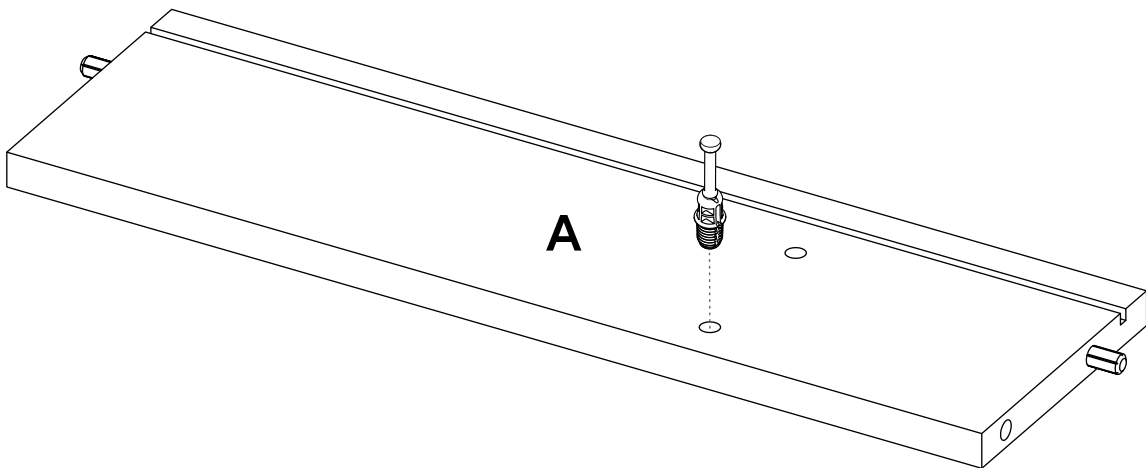


8

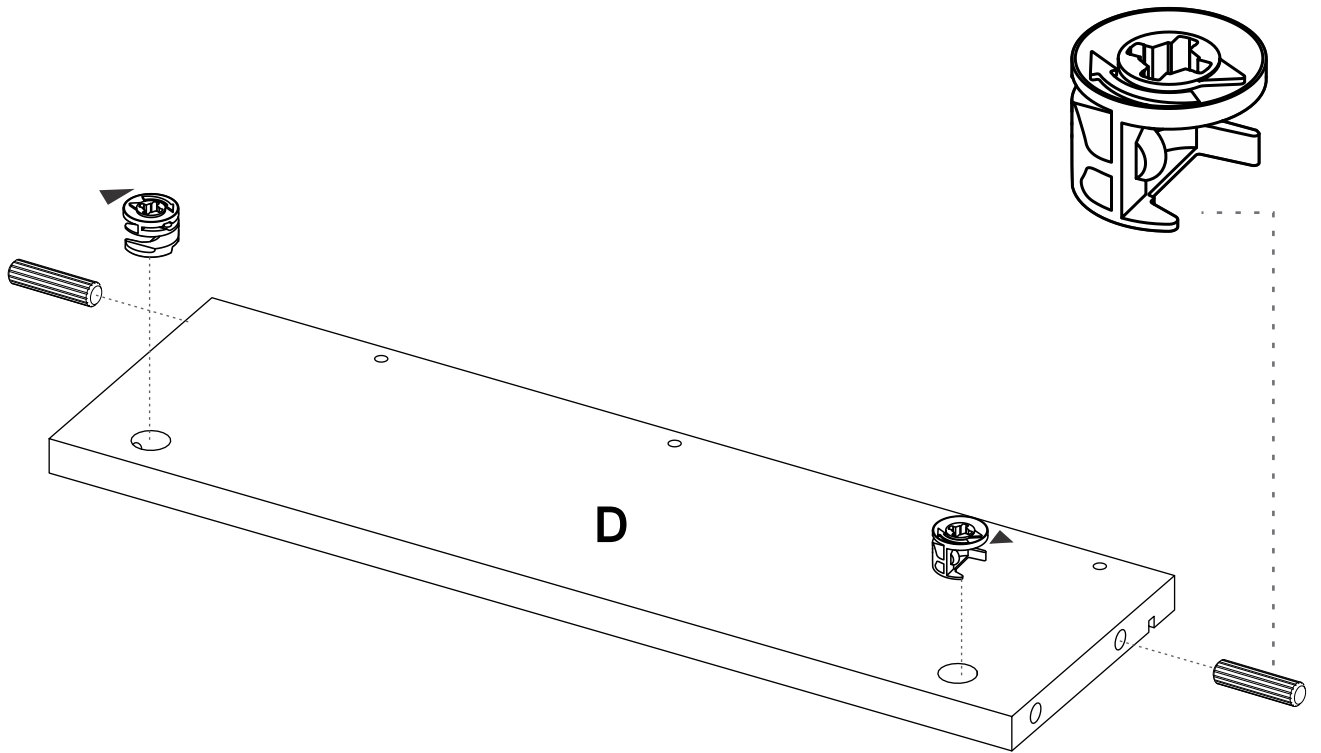


9

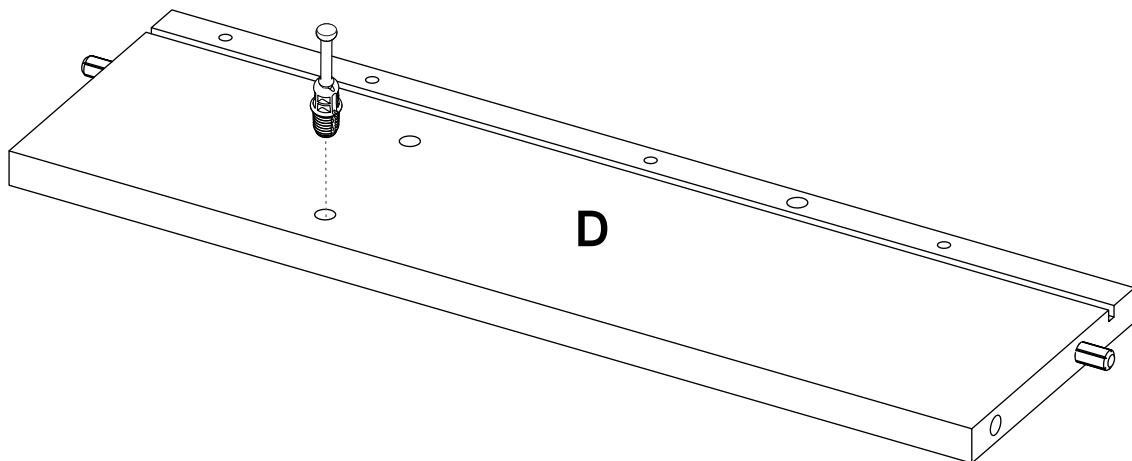
Turn Over
Voltar



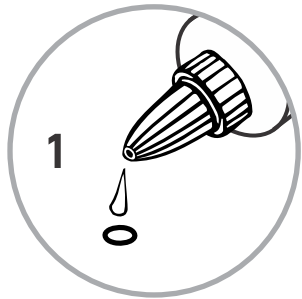
10



Turn Over
Voltar

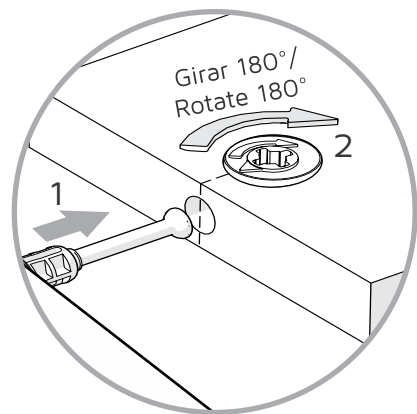
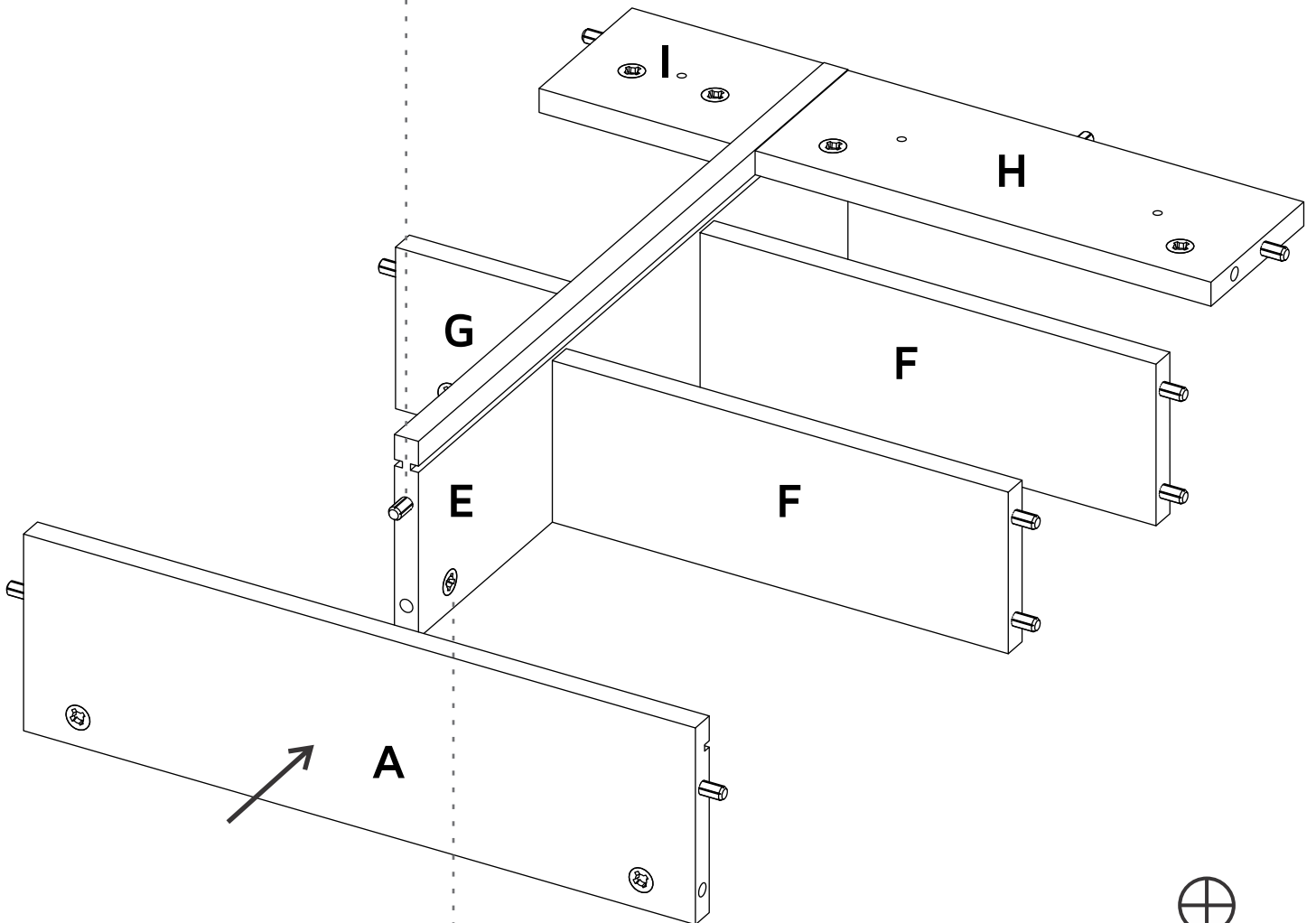
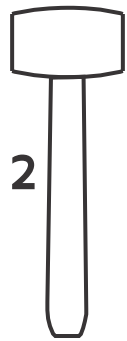


11

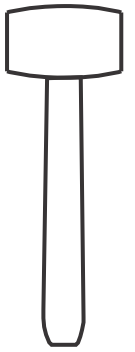
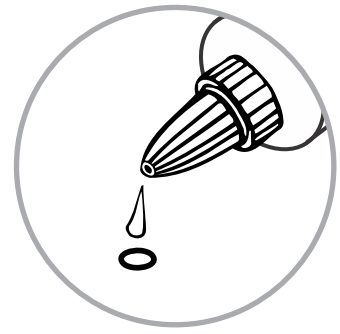
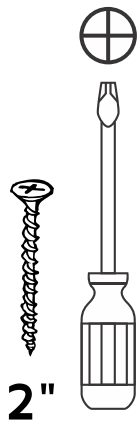


Gently hit the pieces with a rubber hammer to adjust the joint.

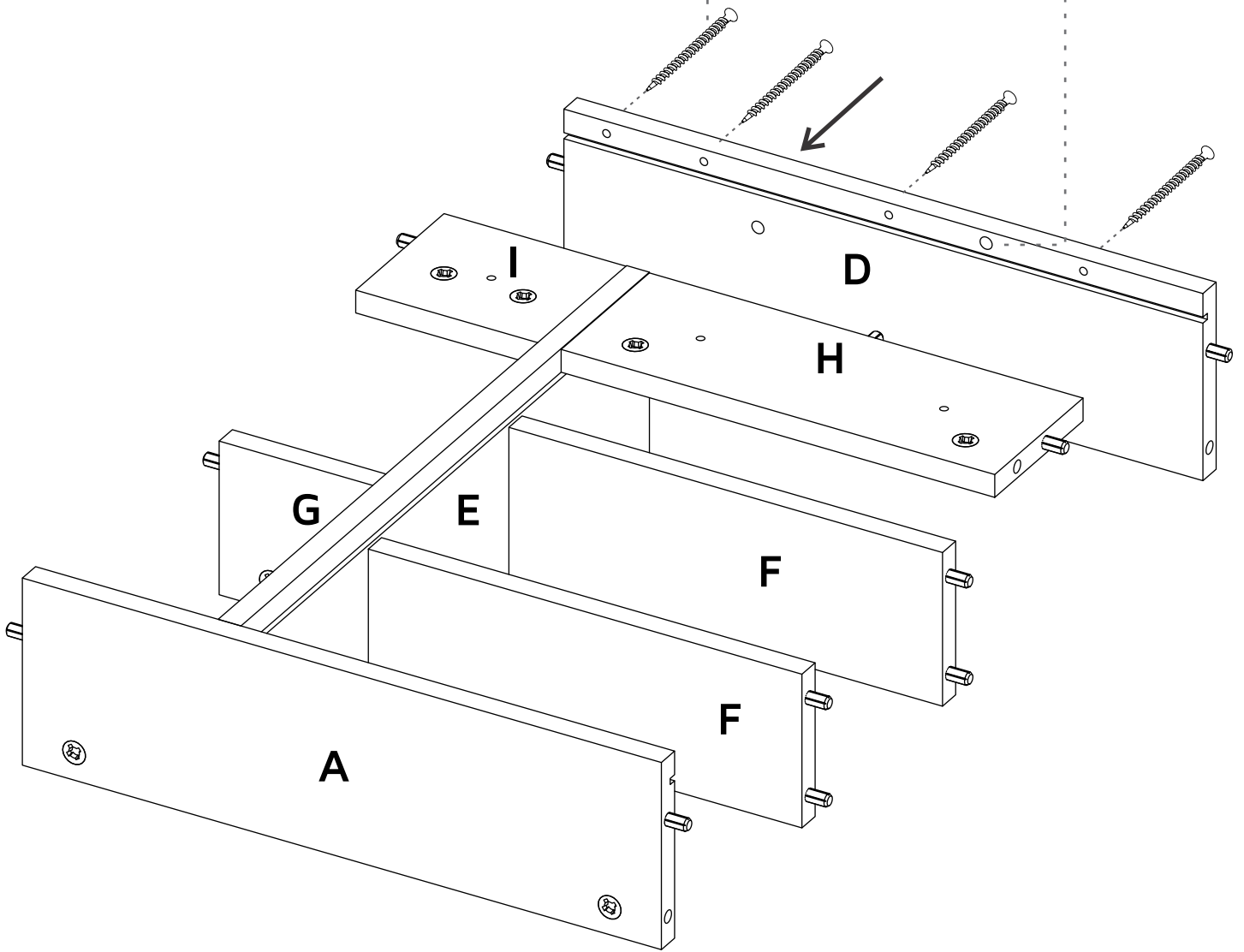
Golpee suavemente la pieza con un martillo de goma para ajustar el ensamble.



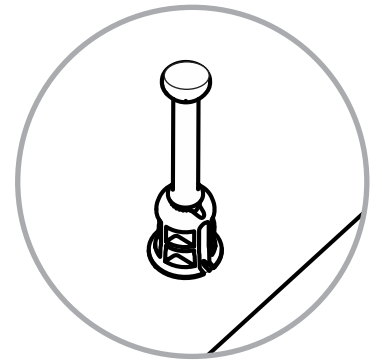
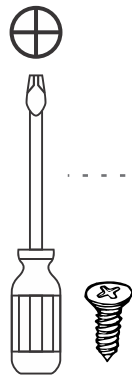
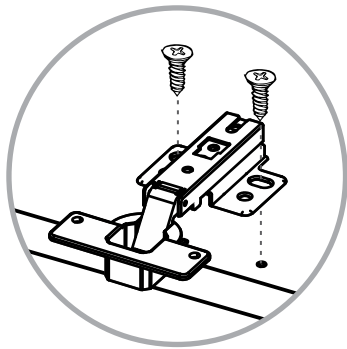
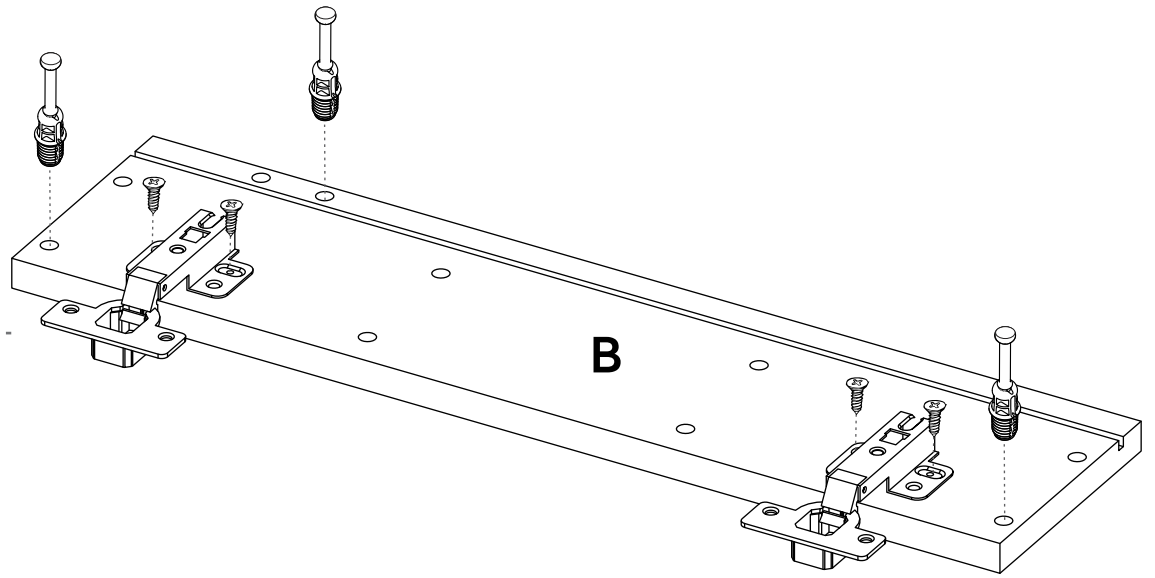
12



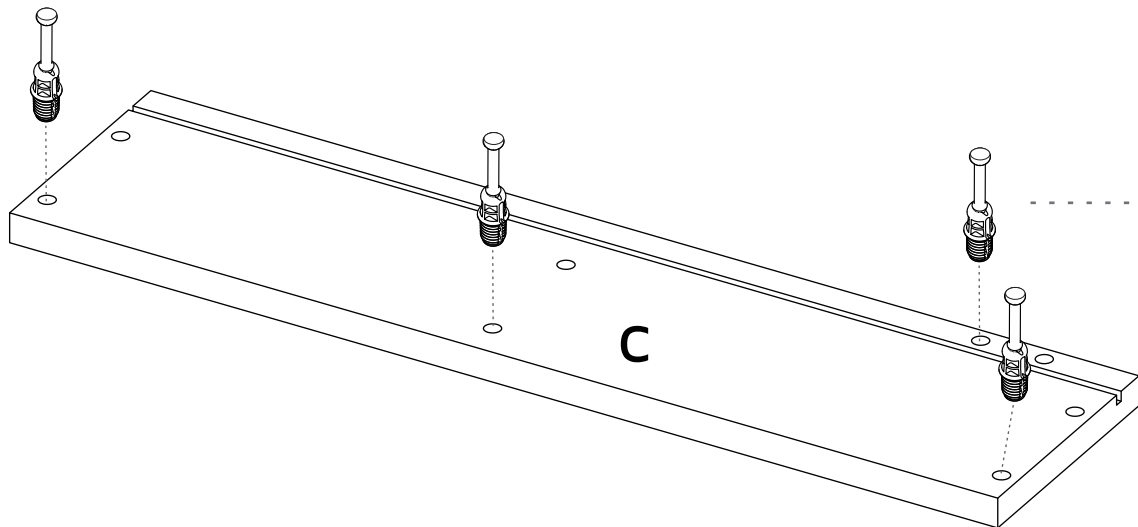
Gently hit to adjust.
Golpee suavemente
para ajustar.



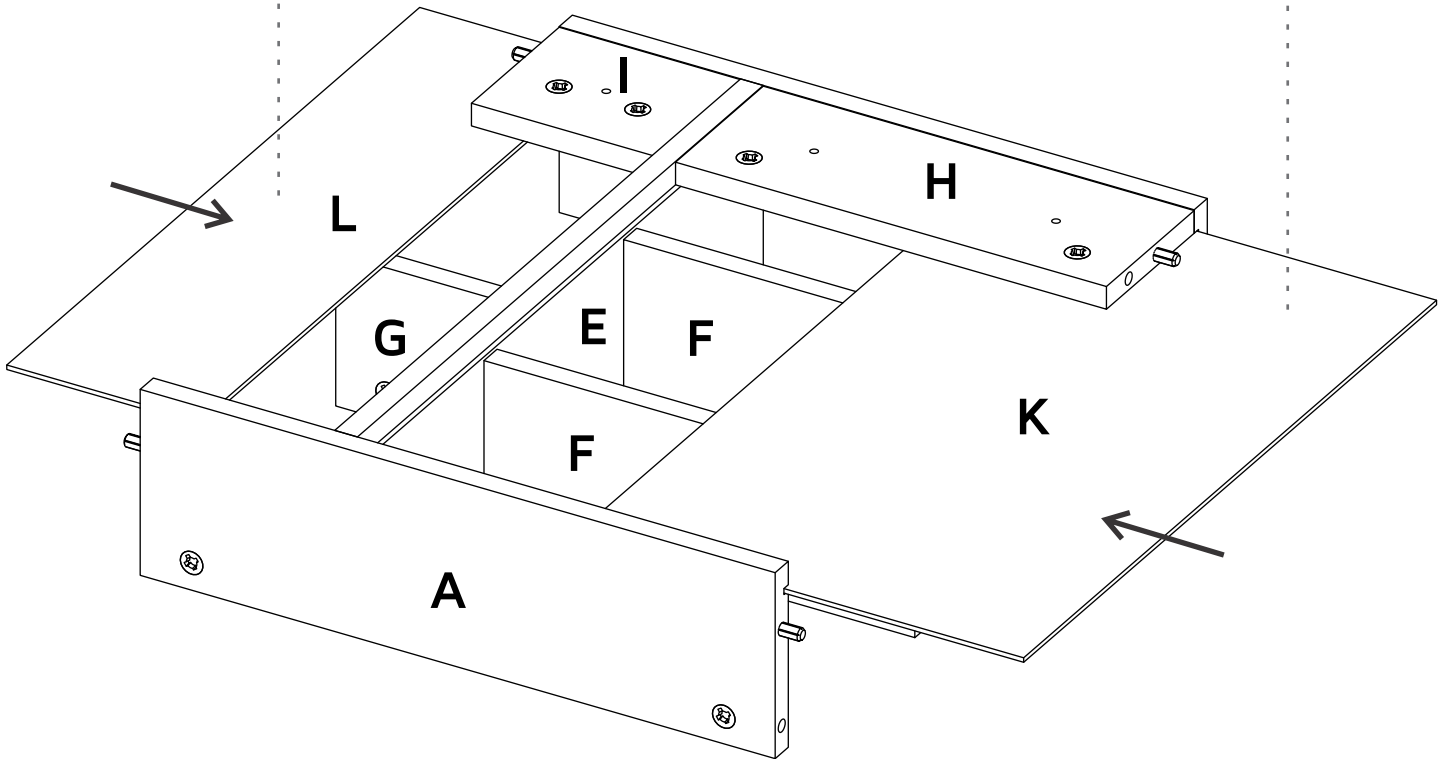
13

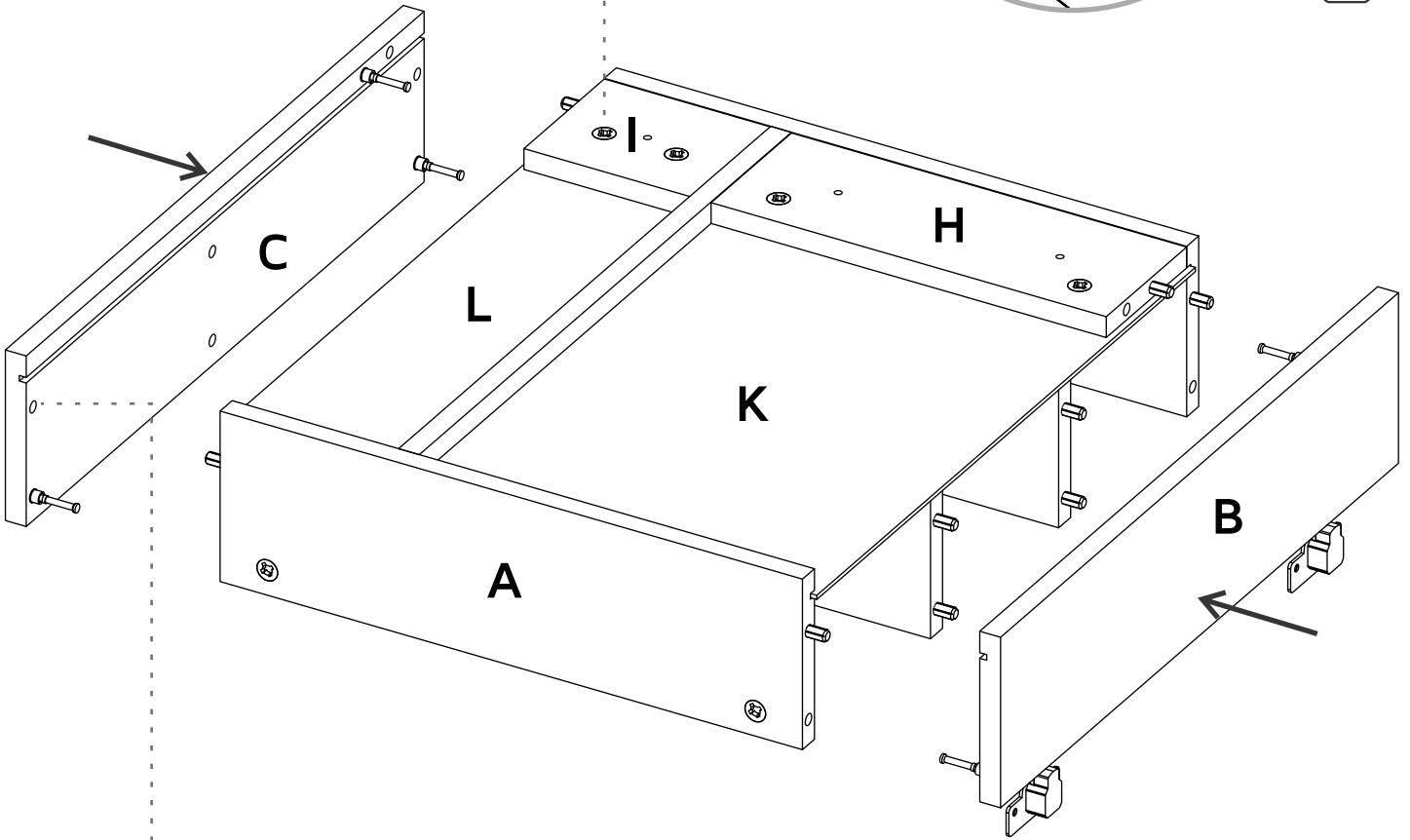
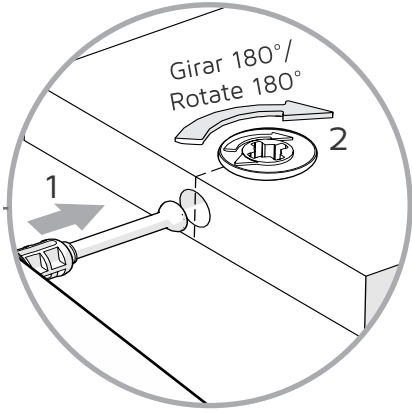


14

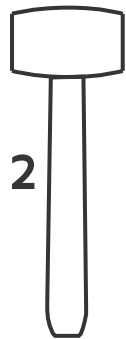


Slide the back panels inside the cabinet.
Deslice los fondos dentro del mueble.



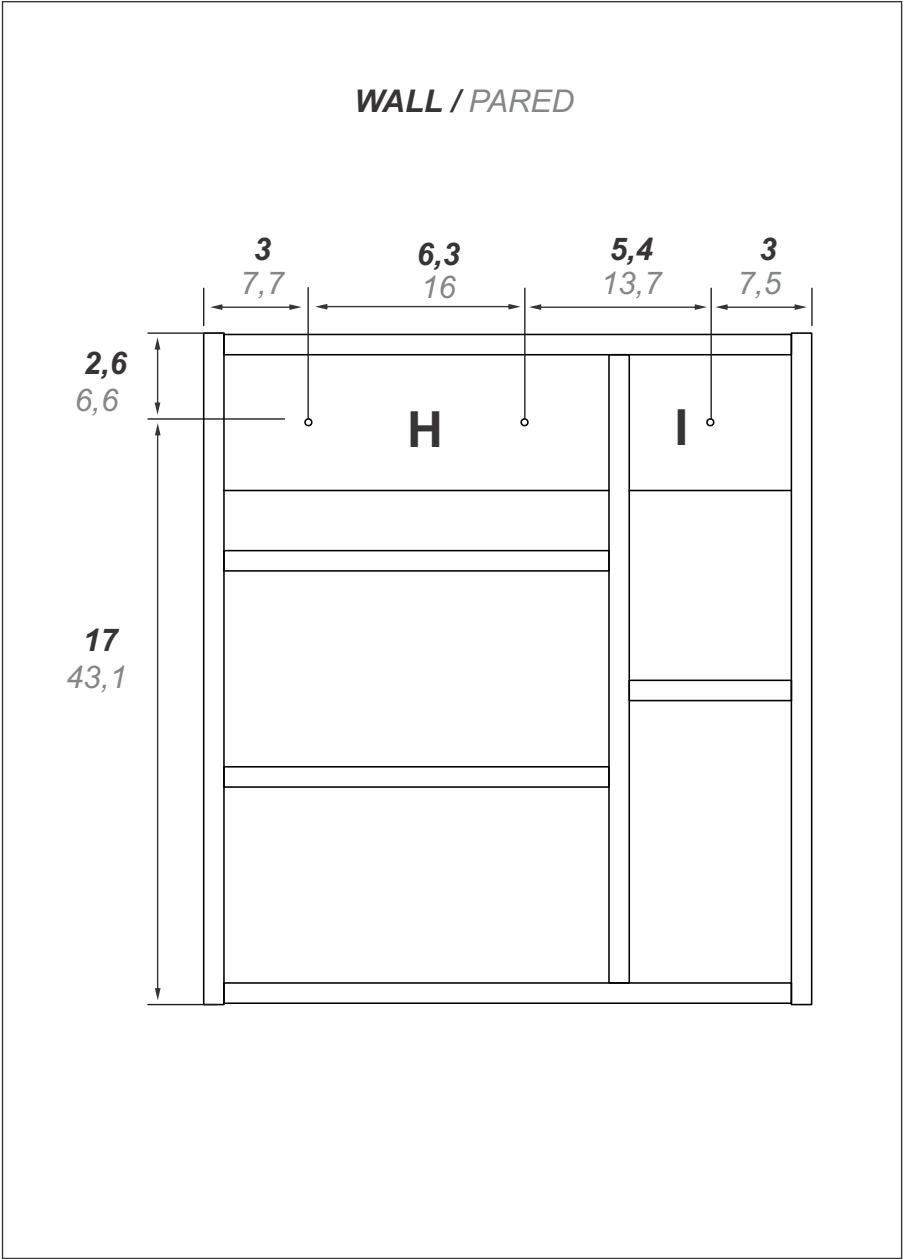
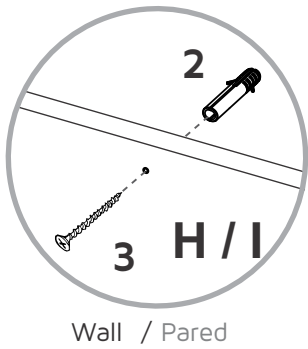


Gently hit the pieces with a rubber hammer to adjust the joint.
Golpee suavemente la pieza con un martillo de goma para ajustar el ensamblé.

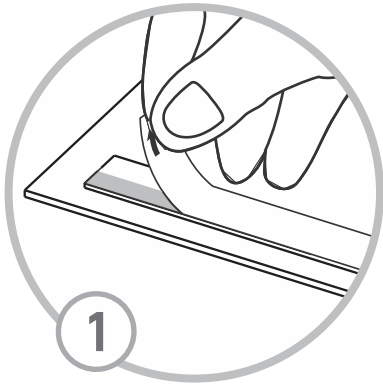




Fixing the cabinet to the wall
Instalación del mueble a la pared



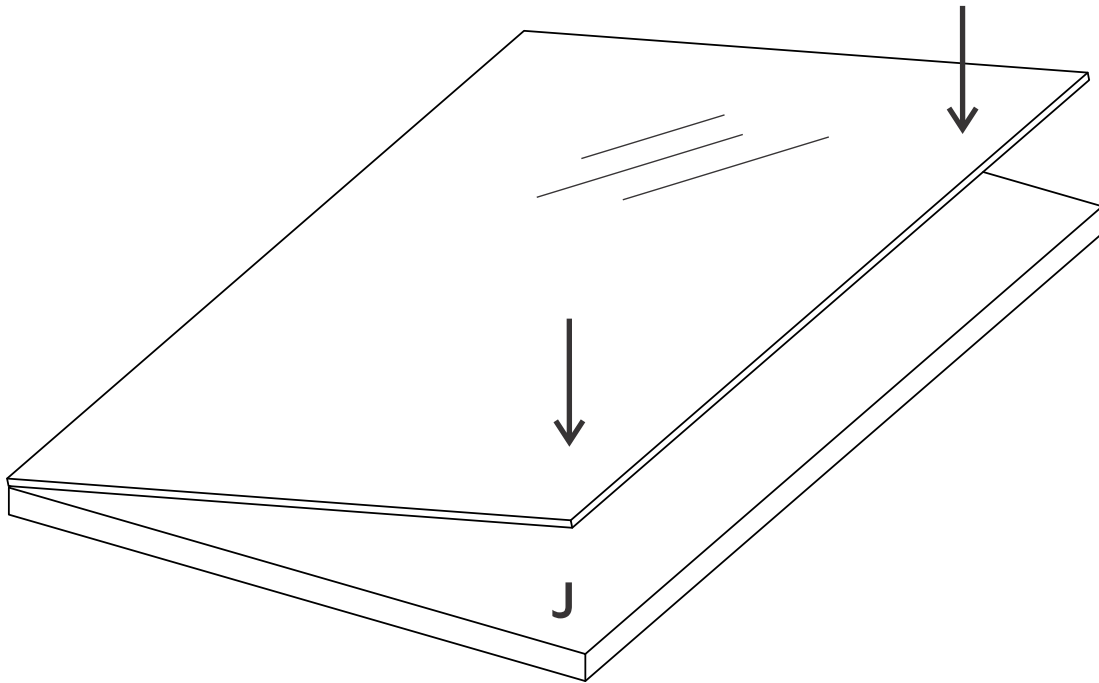
* Inches - Centimeters / Pulgadas -Centímetros



Do a right cleaning of the "J" piece's surface, then stick the mirror pushing it.

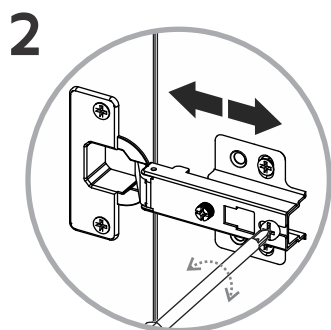
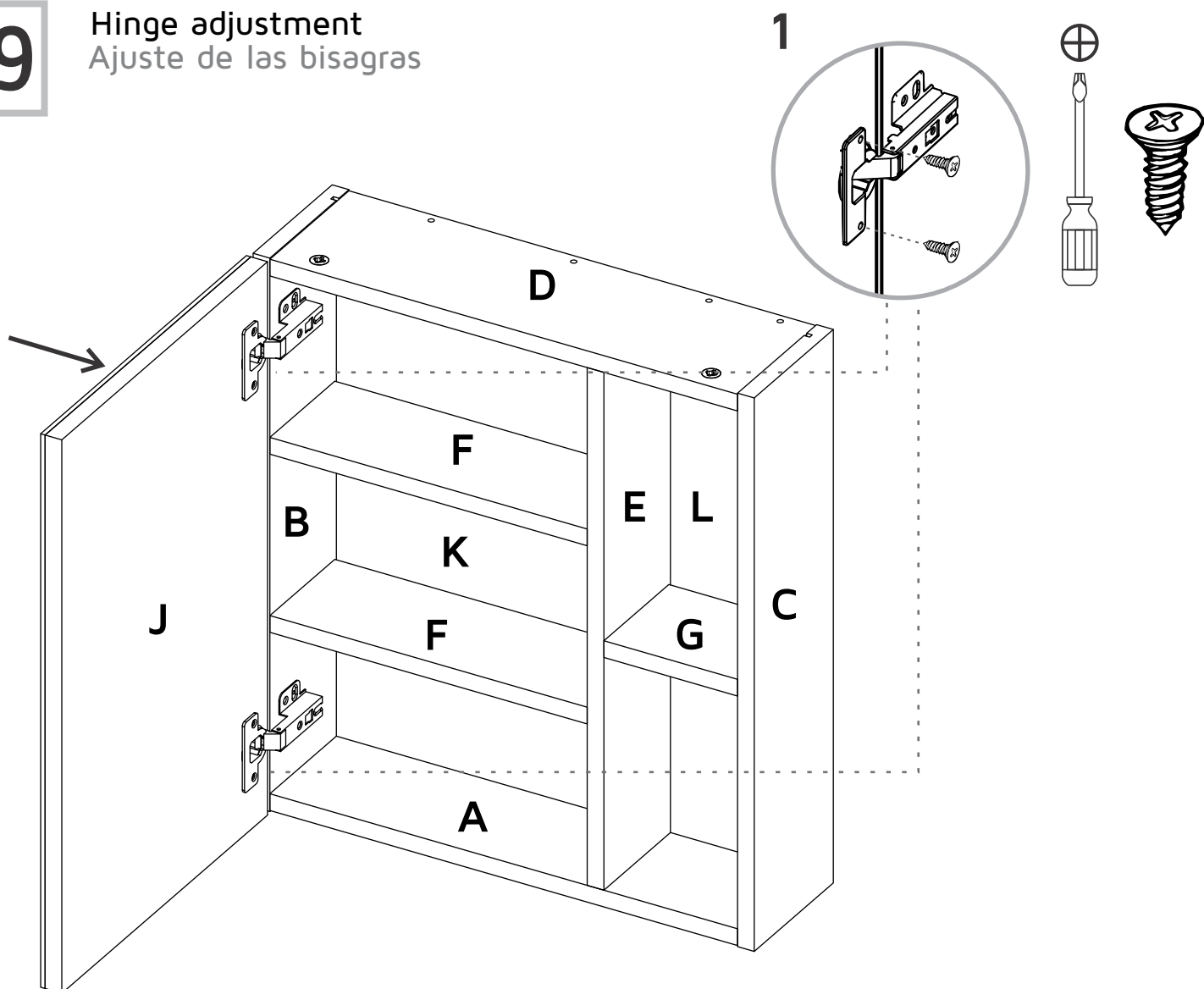
Limpie bien la superficie de la pieza "J", luego adhiera el espejo apoyándolo sobre ella

2

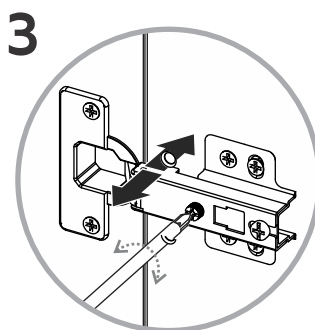


19

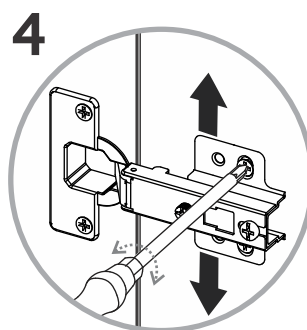
Hinge adjustment Ajuste de las bisagras



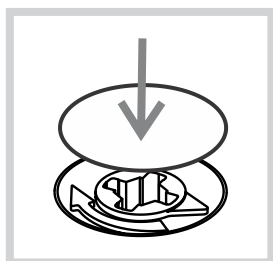
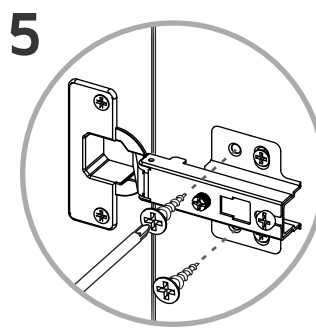
Depth adjustment
Ajuste de profundidad



Side adjustment
Ajuste lateral



Height adjustment
Ajuste de altura



After you finish the adjustment of the cams, cover them with the cover caps.

Después de ajustar todas las cajas minifix, cúbralas con las tapas adhesivas.

A

After you finish assembling the cabinet, take off the adhesive letters.

Al terminar de armar, desprenda las letras adhesivas.

WARRANTY POLICY

PÓLIZA DE GARANTÍA

A 2 year warranty coverage in wooden parts and 1 year warranty coverage in hardware pieces since its manufacturing date, which you can see in the lot number printed on the product box and the assembly instructions leaflet.

Warranty covers materials and workmanship imperfections which impair the assembly or correct functioning of the cabinet.

This warranty is not valid if the defects or imperfections are caused by the incorrect following of the assembly instructions, warnings and recommendations, misuse, intentional damage, fire or flood, or after modifications or any kind of alteration, or repaired by someone not authorized, when it's been assembled 3 months after the date of purchase. These defects MUST be reported before the warranty coverage period ends. Once the product has been assembled, the company will not be responsible for defective and/or damaged parts.

This warranty is ONLY valid for the ORIGINAL PURCHASER, it doesn't apply if the product has been resold, rented, etc.

No liability for incidental or consequential damages caused to or by the product (This may not apply in your state).

To make this warranty valid you must write to our customer service email describing the product defect, lot number and submitting your sales receipt or proof of purchase, or contact us at our customer service line. Replaced parts will be under the product's original warranty coverage period. Damaged parts will become property of the company.

There are no other warranties applicable to this product.

**IF ANY PARTS ARE BROKEN OR
MISSING PLEASE CONTACT US**

AT: 1-888-391-01-66

**OUR CUSTOMER SERVICE TEAM WILL PROVIDE
YOU HELP TO RESOLVE ANY ISSUES IMMEDIATELY**