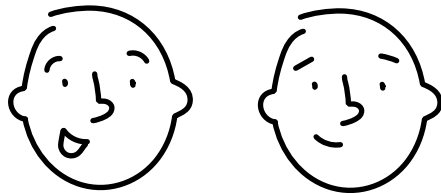
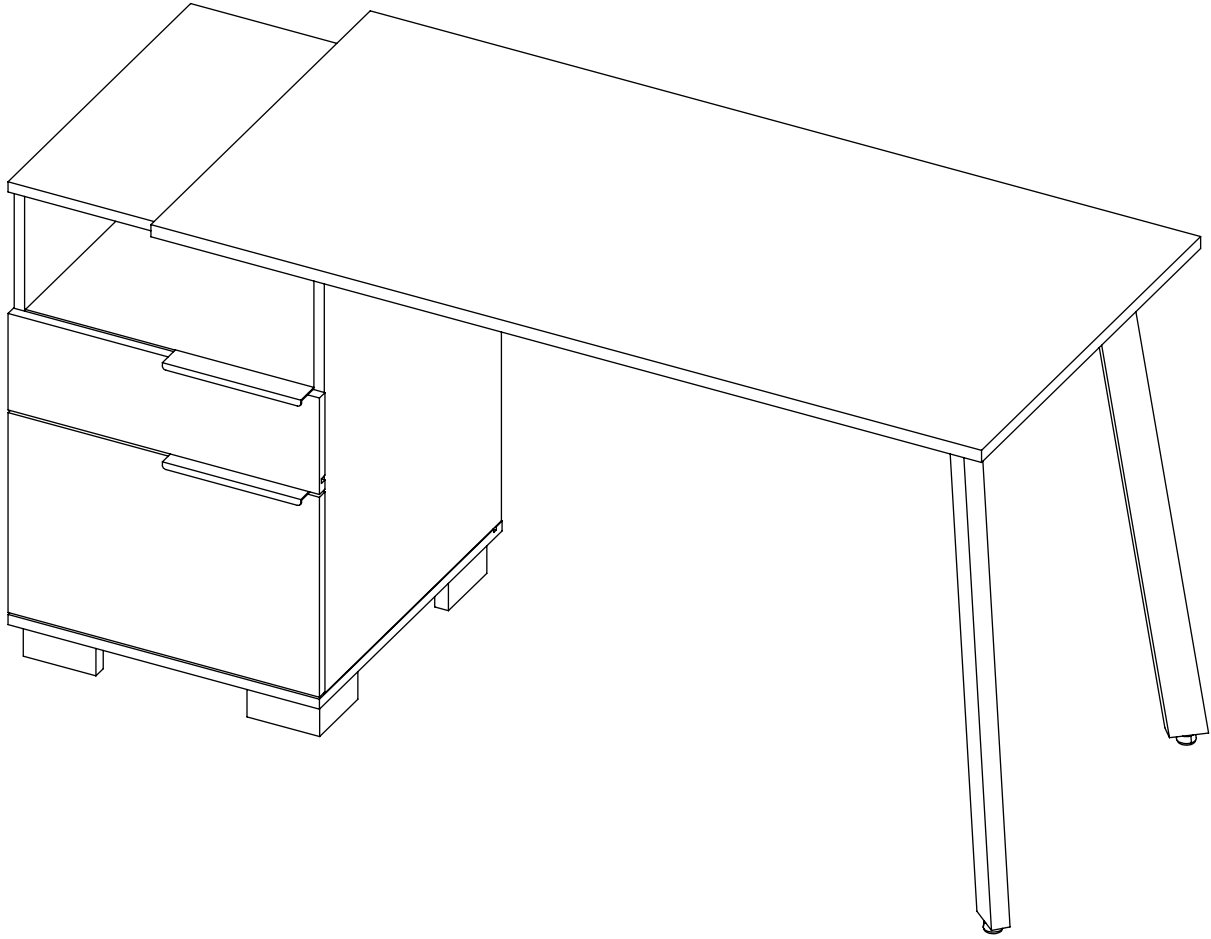


ASSEMBLY INSTRUCTIONS

CONGO DESK



It's much better if you get some company for this!

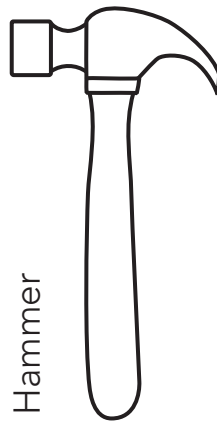
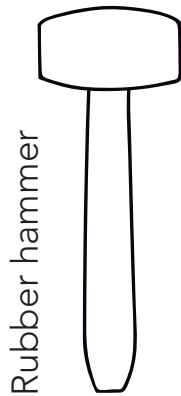
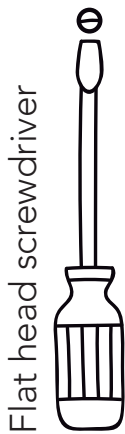
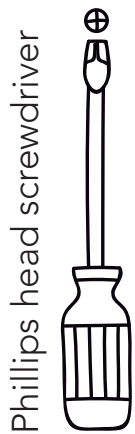
If any parts are broken or missing please contact us at:

Our customer service team will provide you help
to resolve any issues immediatly

Index

What will you need?	2
Where should you start?	3
What's in the hardware bag?	4-5
How do the dowels and Minifix system work? (We also explain what they are)	6
Let's start assembling!	7-18
How much weight does your cabinet resist?	19
Our last recommendations for taking care of your cabinet	20

What will you need?

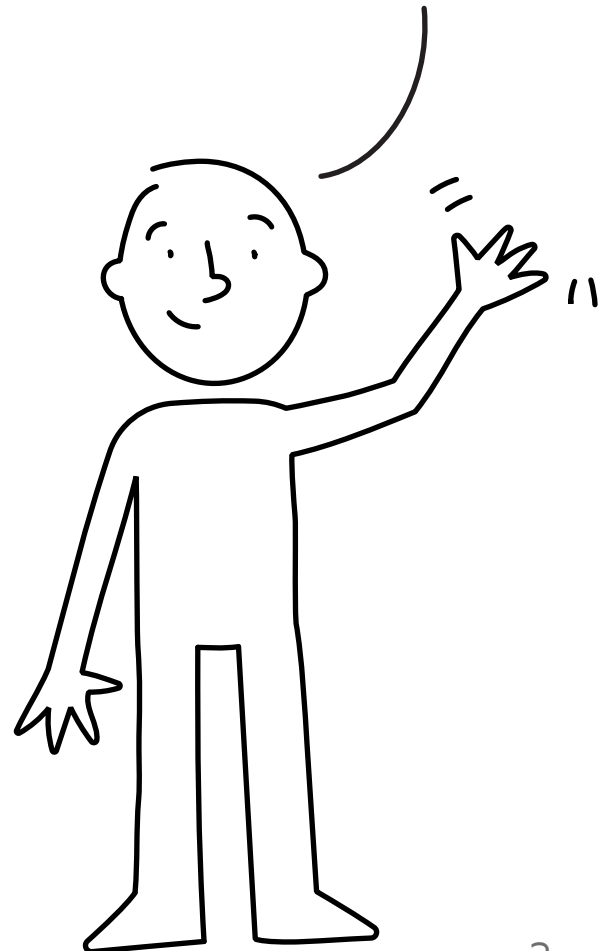


A flat, smooth surface. You can use the cardboard of the box or a rug.



An electric screwdriver isn't necessary, but it can make the work much easier :)

Hi! my name is Armando, and I'll be with you while you assemble this cabinet.



Where should you start?

This is so IMPORTANT!

Over the next few pages is the panel and hardware content for this cabinet.

Please make sure that the quantity of each one is correct, and that everything is in good shape.


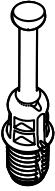


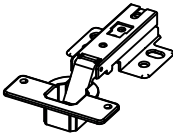


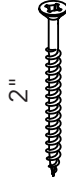

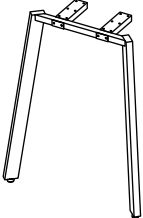
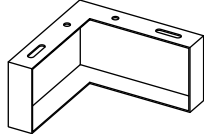
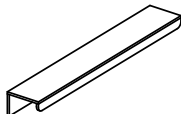
(When the cabinet is already assembled there's no warranty for this)

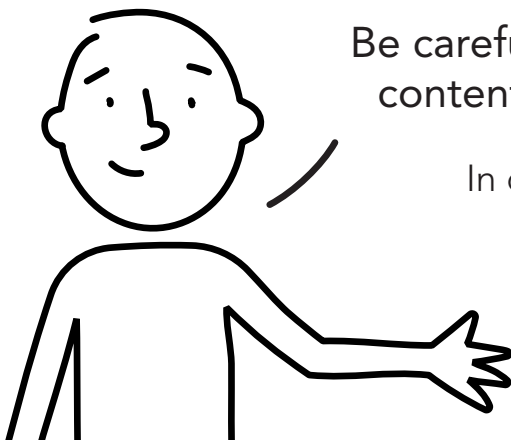


Panel quantity

A - x1	B - x1	C - x1
D - x1	E - x1	F - x2
G - x1	H - x1	I - x1
J - x1	K - x1	L - x1
M - x1	N - x1	

What's in the hardware bag?

			
Wood dowel x22	Spreading bolt x22	Minifix cam x22	Cover caps x30
			
Hinge + screws x2	Glue x1	Flat head screw x28	Drywall screw x4
			
Drywall screw x12	Leg + Leveler + Screws x1	Leg x4	Handle x2

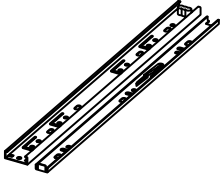
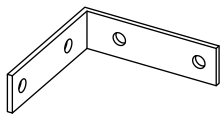
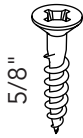


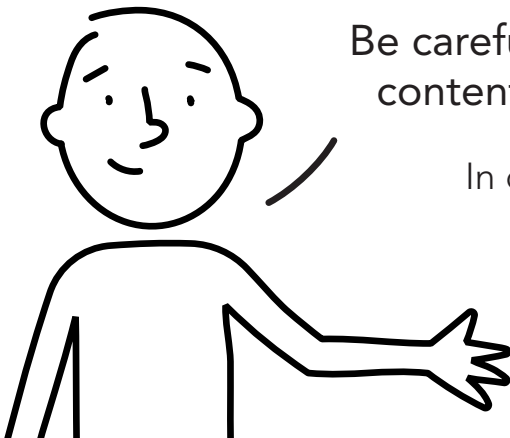
Be careful!, try not to lose anything from this bag, its content it's necessary for assembling you cabinet.

In case something is missing, please call to our customer service line:

1-888-391-01-66

What's in the hardware bag?

 <p>Slides + screws x1</p>	 <p>Corner brace x2</p>	 <p>5/8" Drywall screw x12</p>	



Be careful!, try not to lose anything from this bag, its content it's necessary for assembling you cabinet.

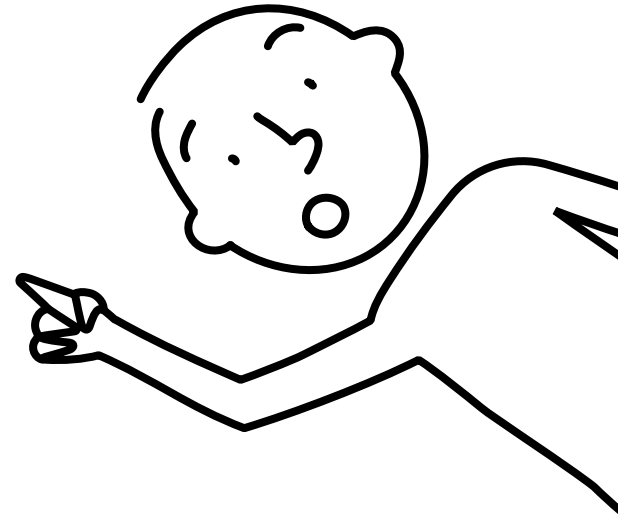
In case something is missing, please call to our customer service line:

1-888-391-01-66

How do the dowels and Minifix system work?

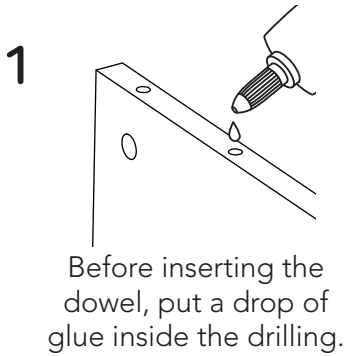
this is so important too!

Everytime you're using one of these connectors during the assembly, you should follow these same steps.

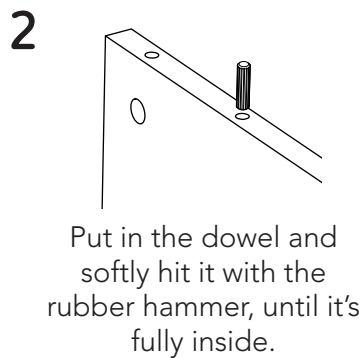


Wood dowels

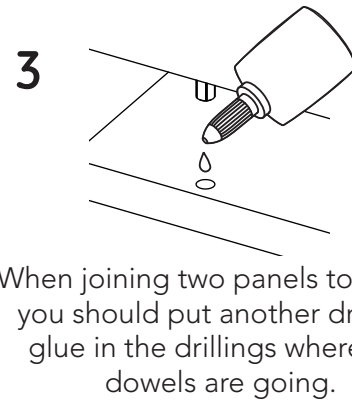
They are little wooden cylinders.



Before inserting the dowel, put a drop of glue inside the drilling.



Put in the dowel and softly hit it with the rubber hammer, until it's fully inside.

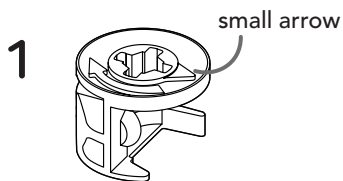


When joining two panels together, you should put another drop of glue in the drillings where the dowels are going.

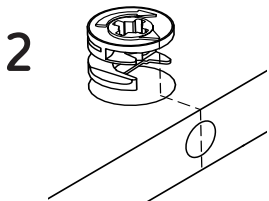
Don't forget to gently hit the panels to adjust the joint.

Minifix system

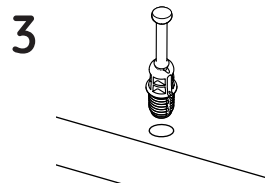
It's a joint compound of two parts: a spreading bolt and a Minifix cam.



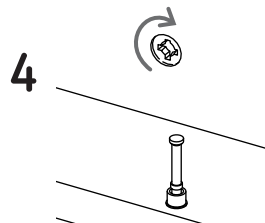
This is a Minifix cam. It has a little arrow on its upper surface.



You should insert these cams with the little arrow pointing towards the drilling on the panel's edge (shown on the left).



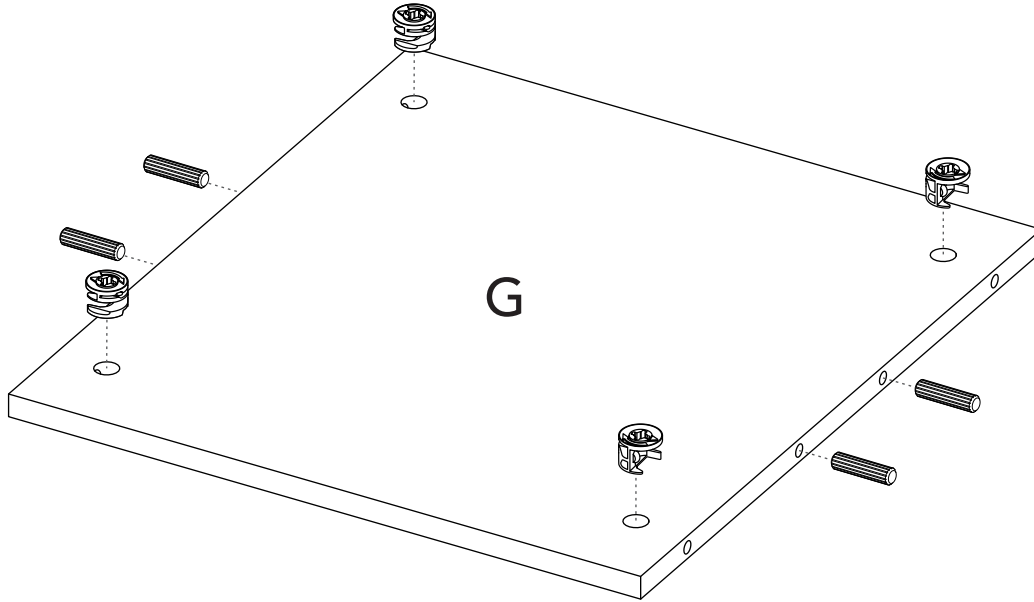
This is a spreading bolt. You should put it with the black plastic part facing down.



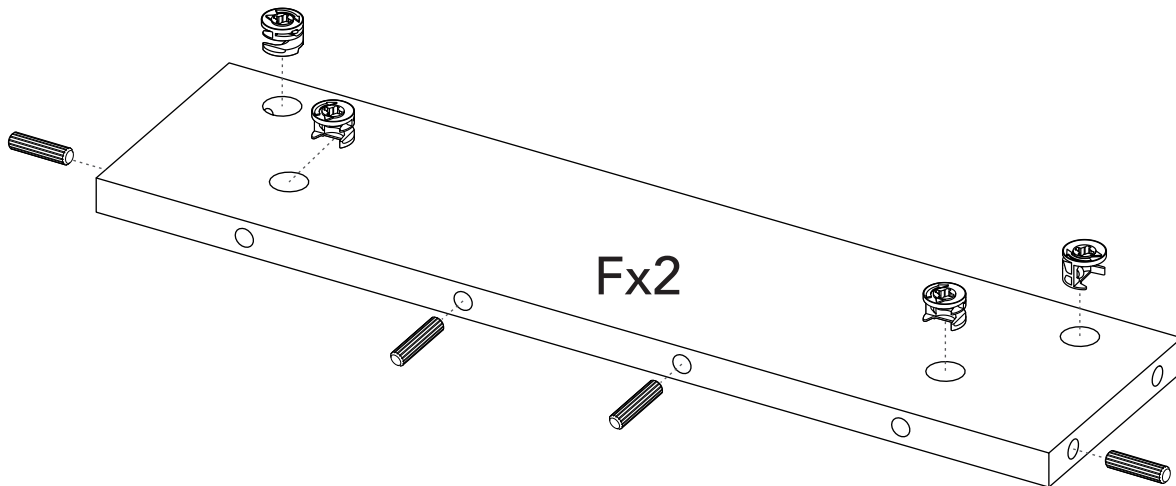
After joining two panels together you should turn the cams 180° with a phillips head screwdriver to adjust and secure the joint.

1 Let's start assembling!

You can see the last page of this manual to have a full look of the panels of this cabinet.

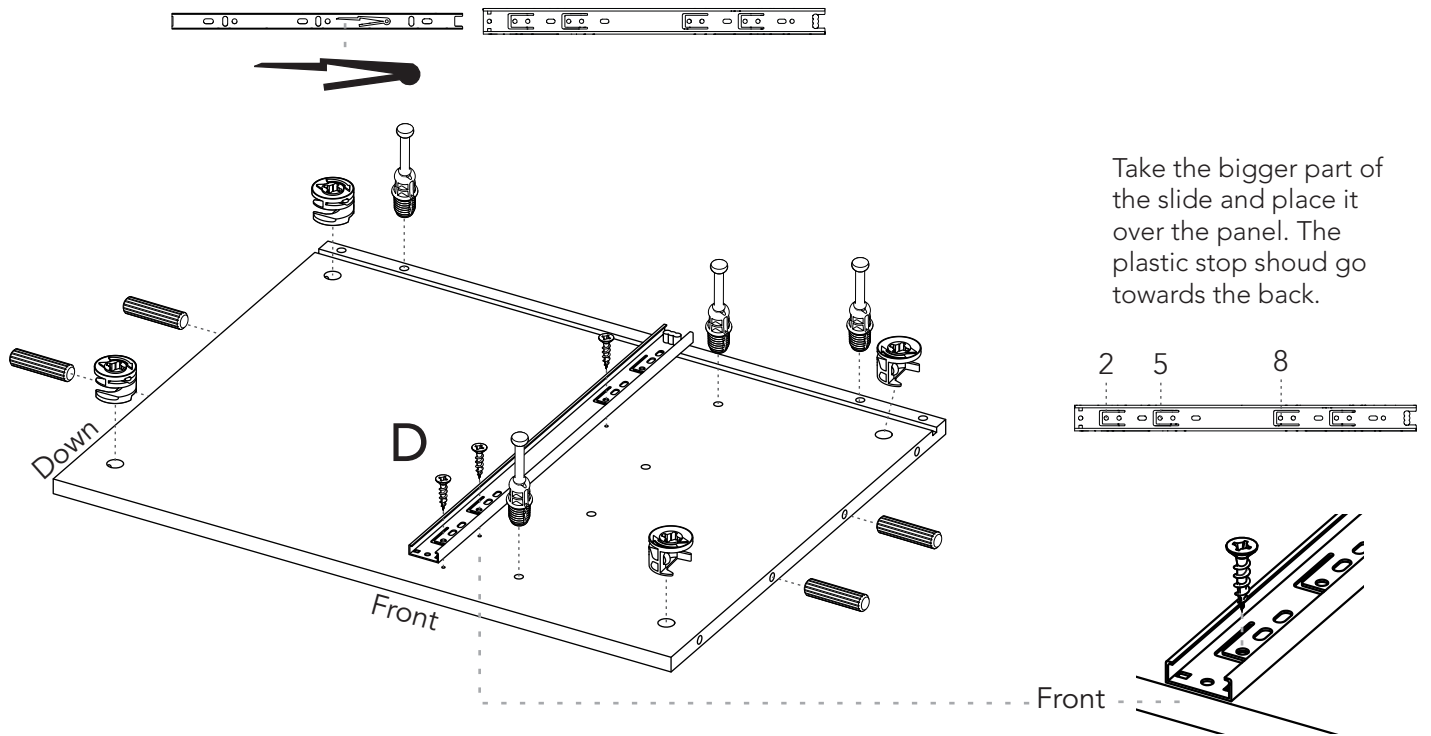


2

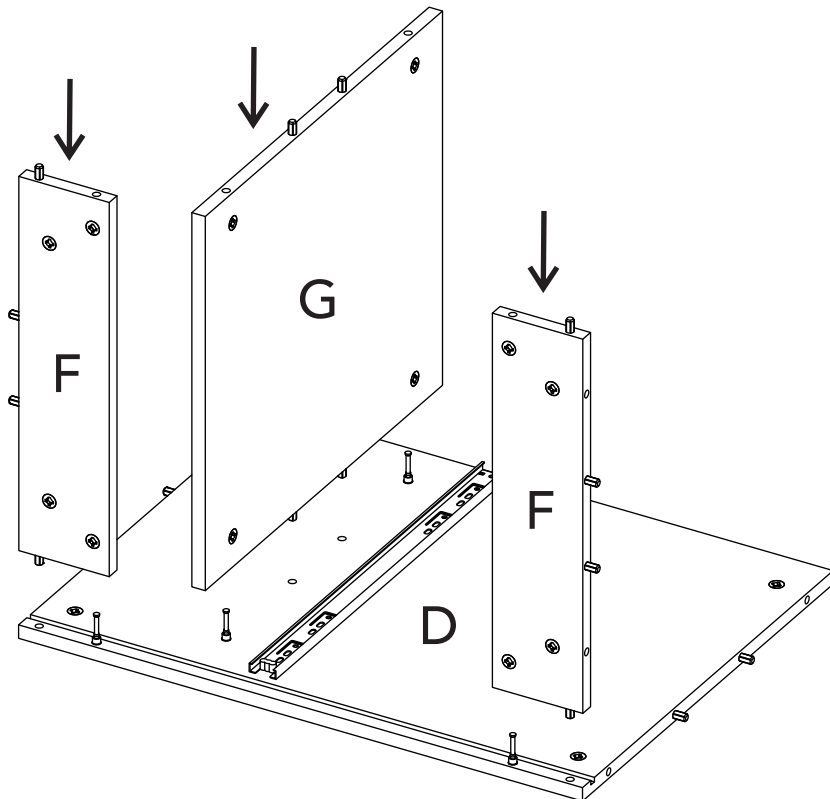


3 Drawer slides installation (apply for steps 3 and 5)

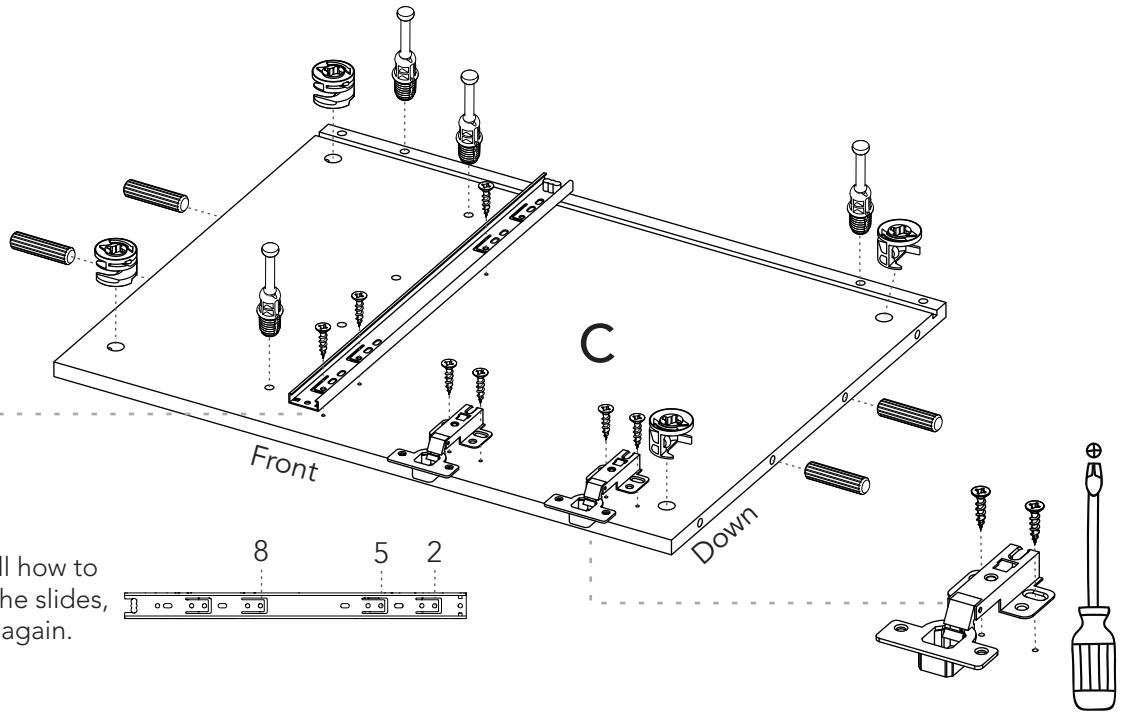
To begin, you must take out the smaller part of the slide, pushing down the black plastic part shown below:



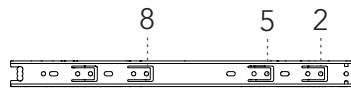
4



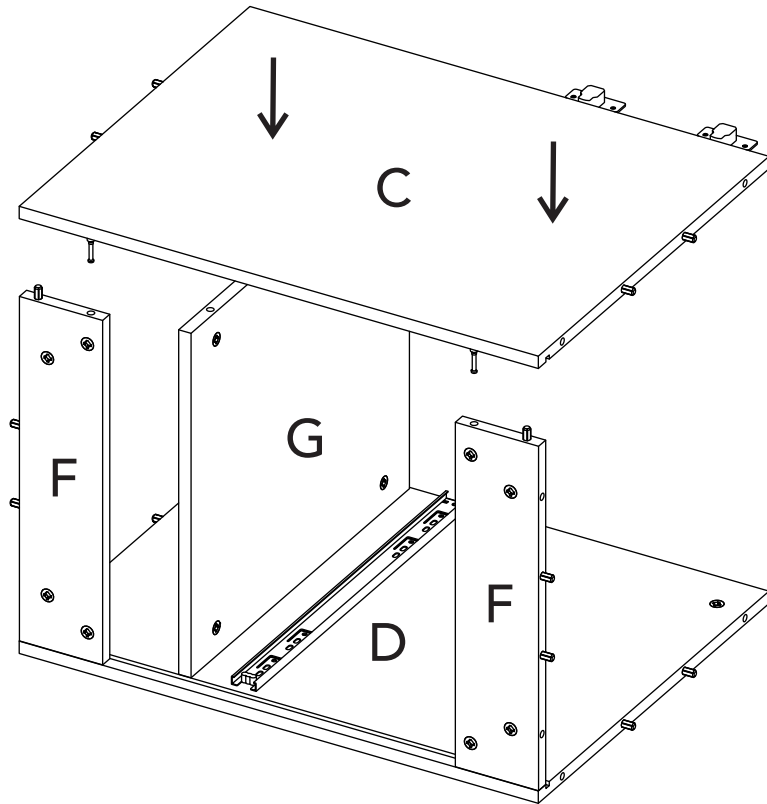
5



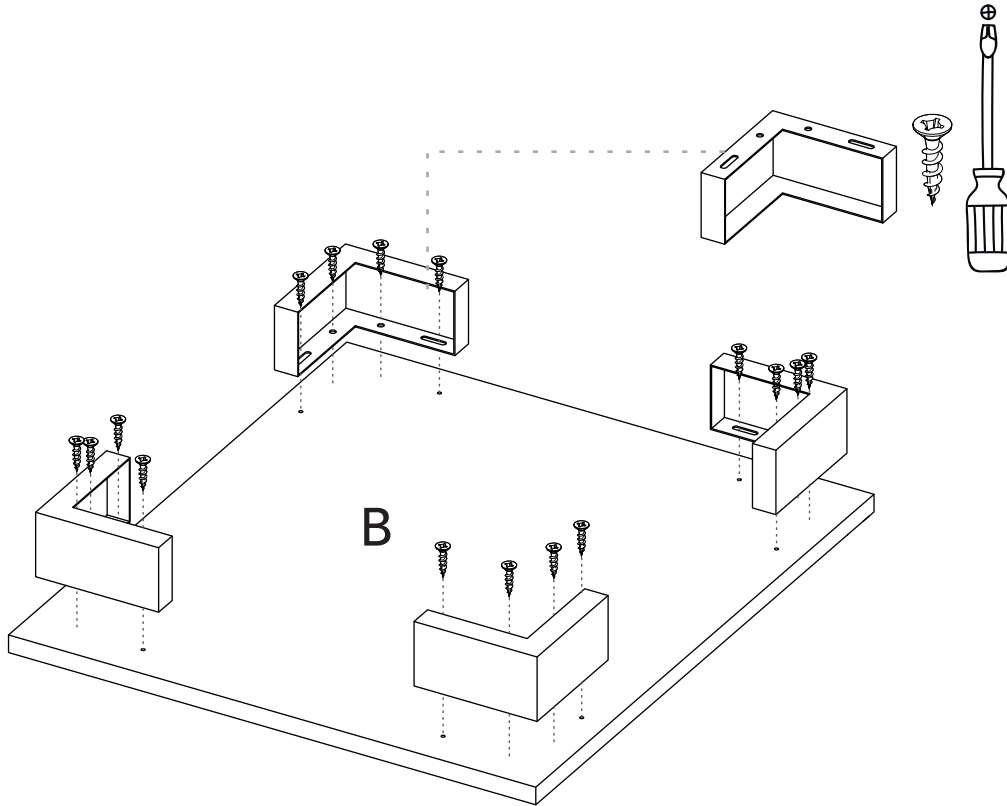
If you want to recall how to install this part of the slides, go to the 3rd step again.



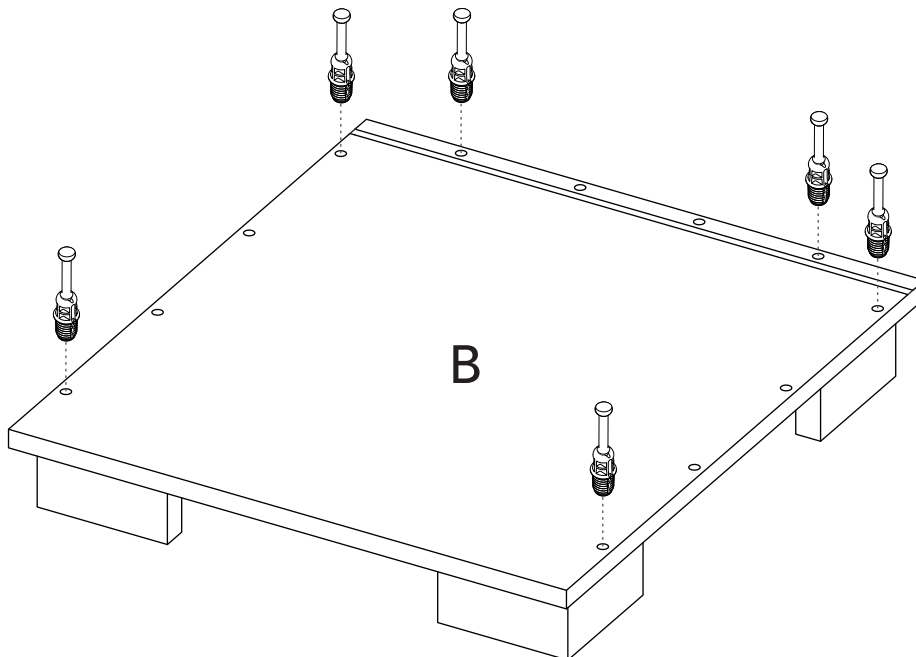
6



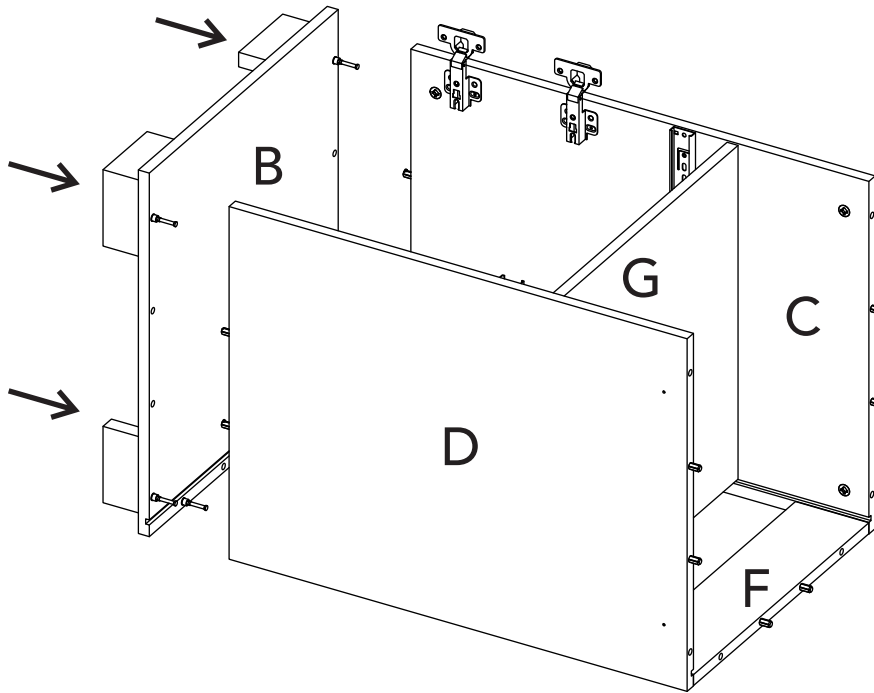
7



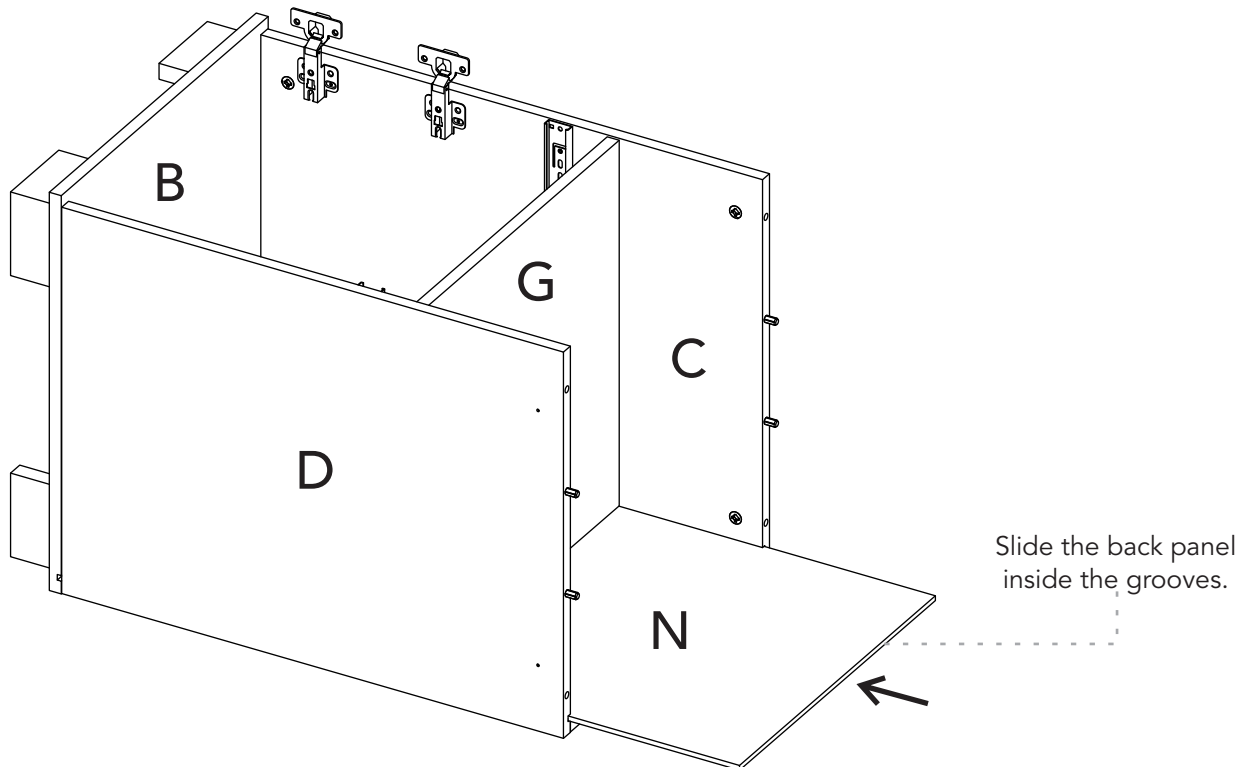
Turn this panel over



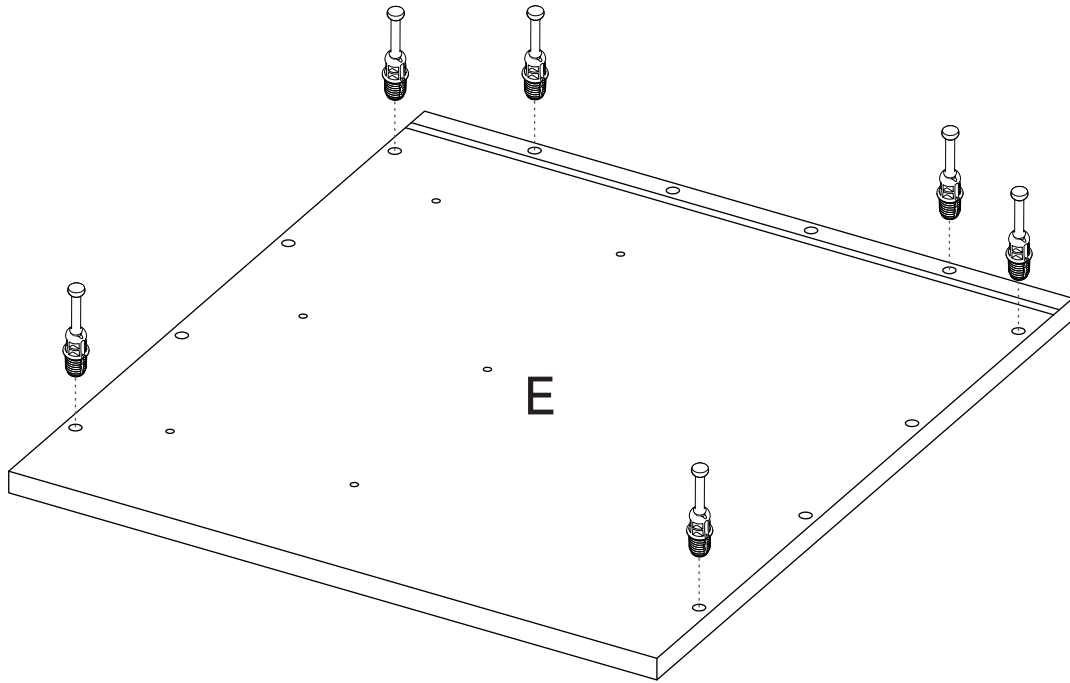
8



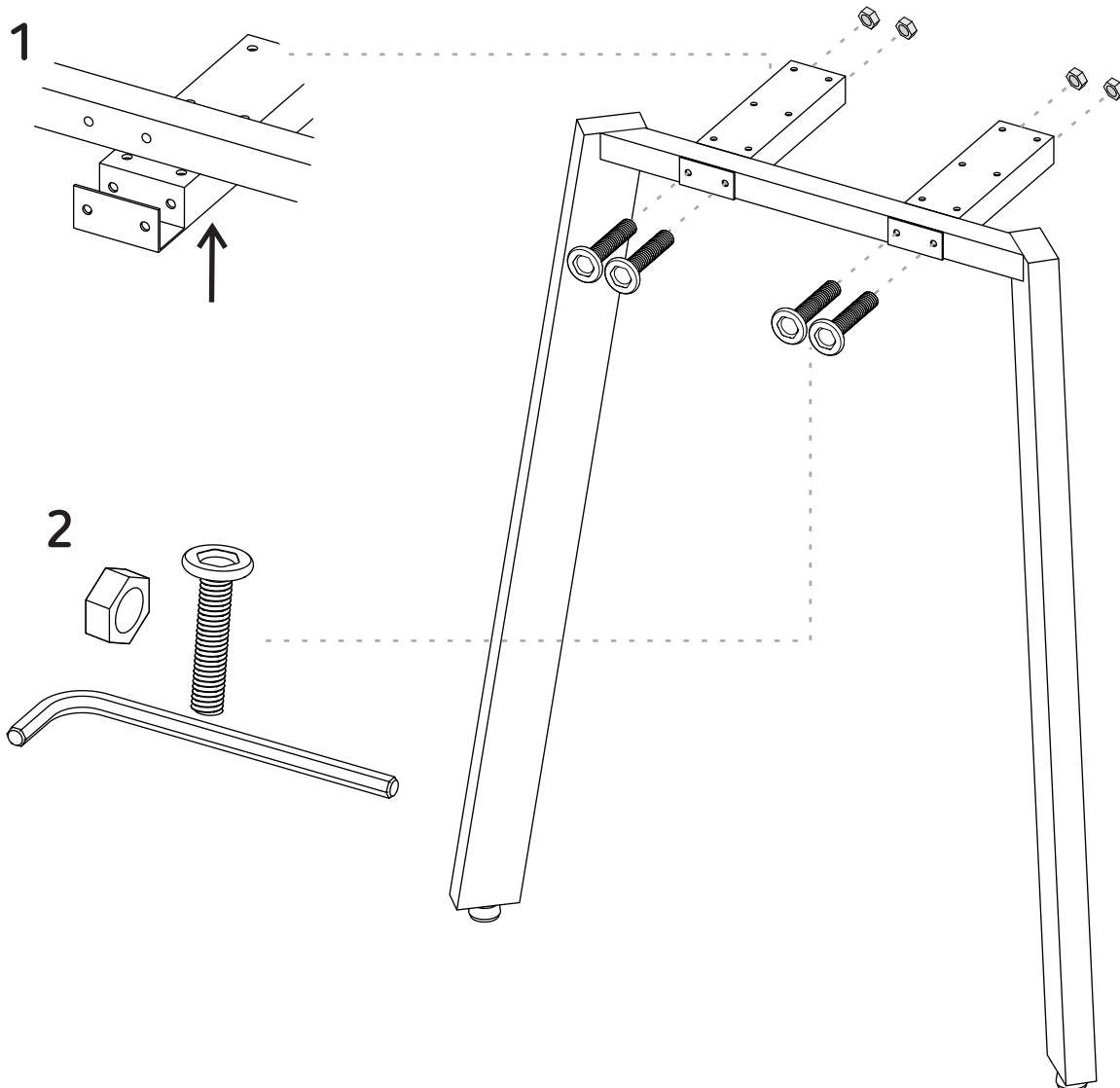
9

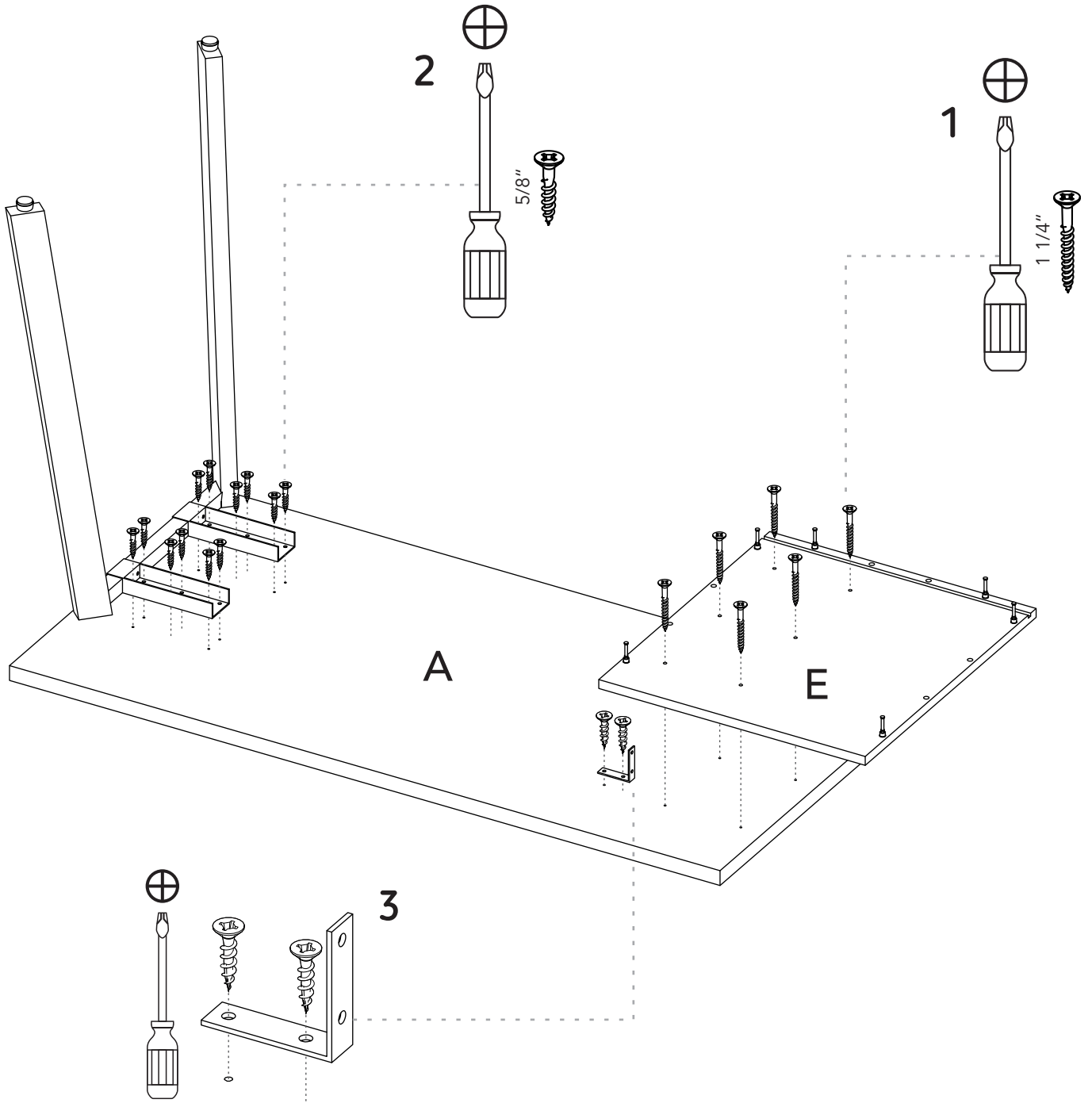


10

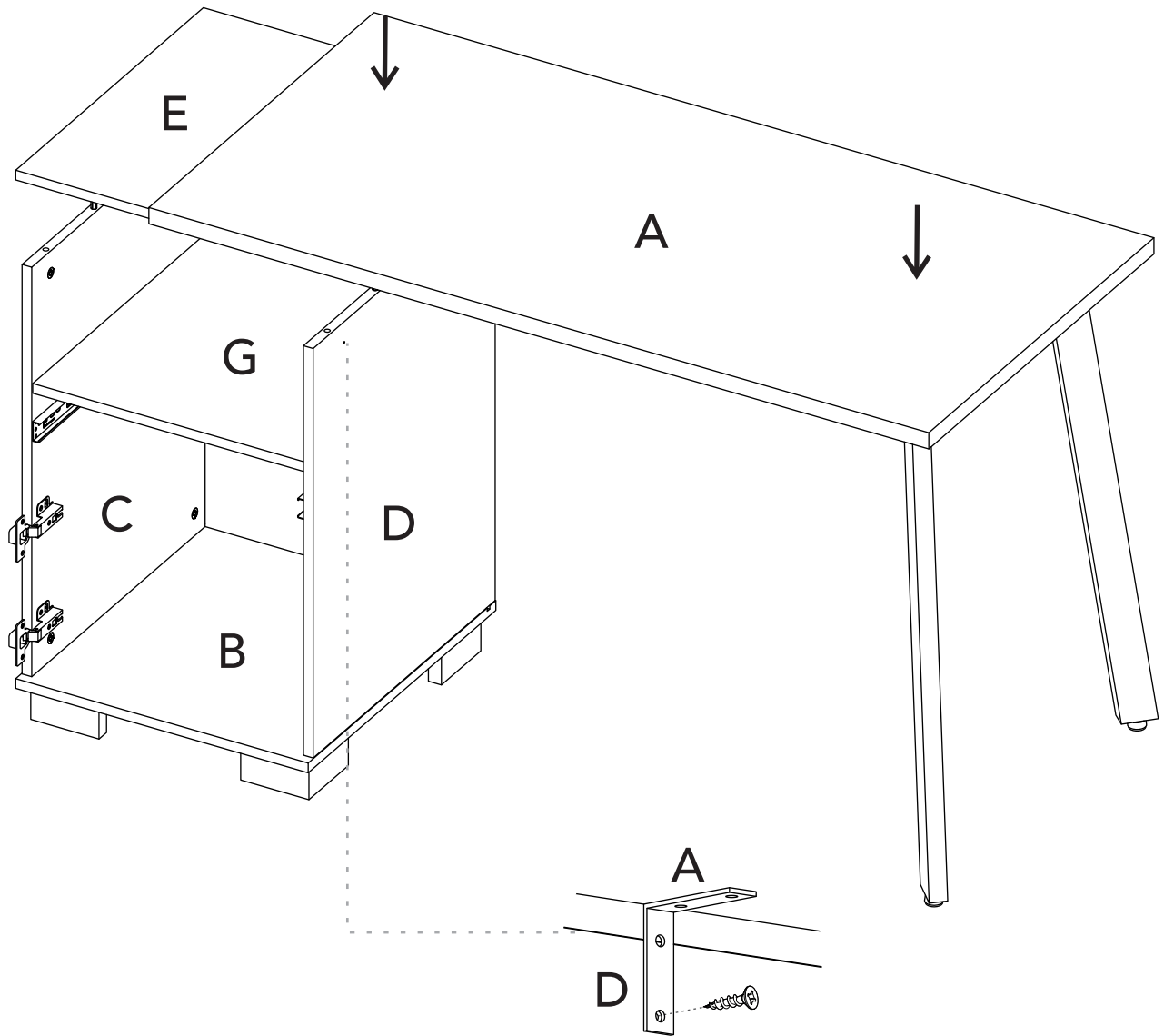


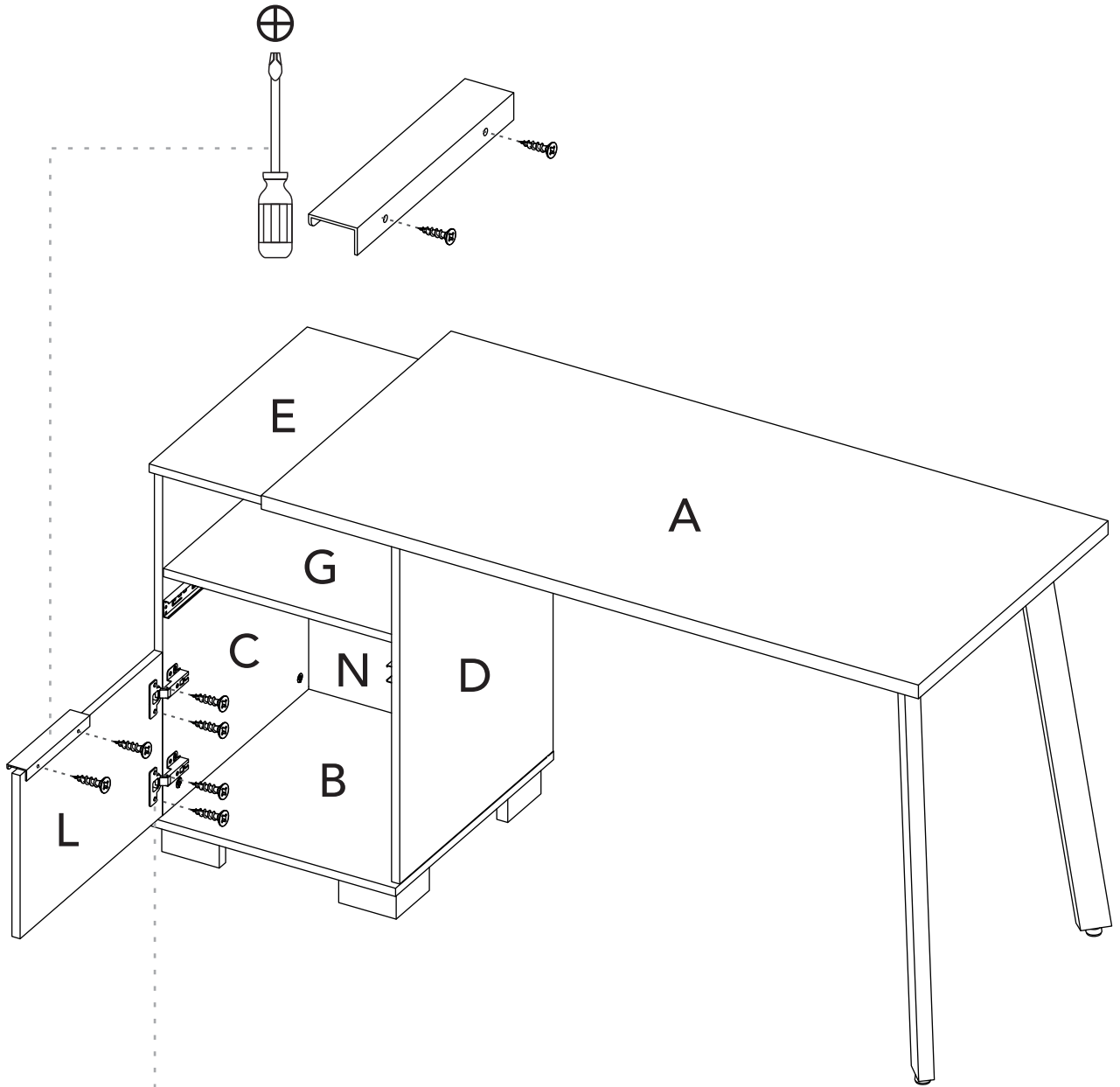
11 Leg Installation



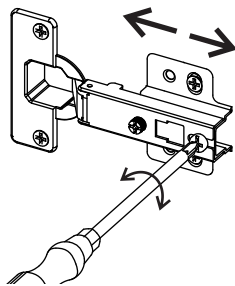
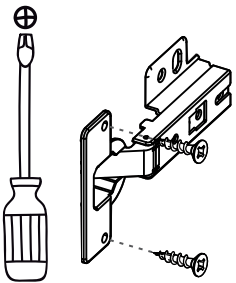


13

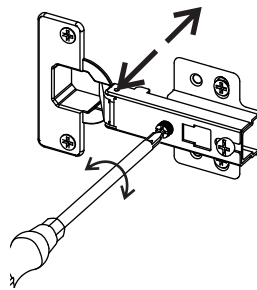




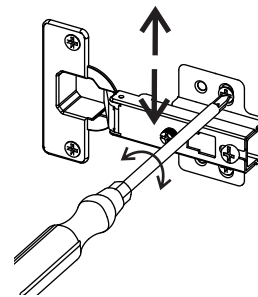
Assembling and setting up the door Hinge adjustment



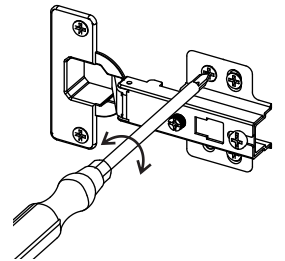
Depth adjustment



Lateral adjustment

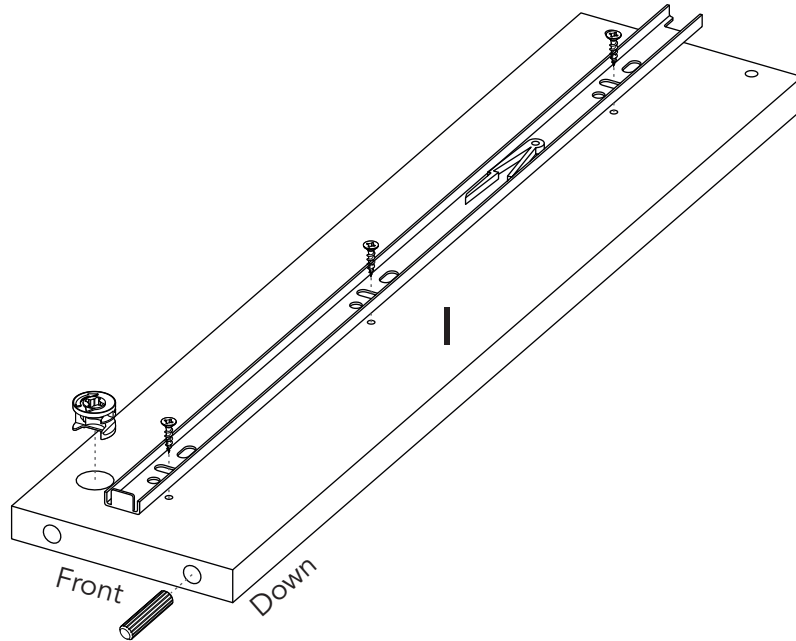
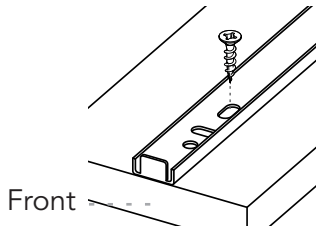


Height adjustment

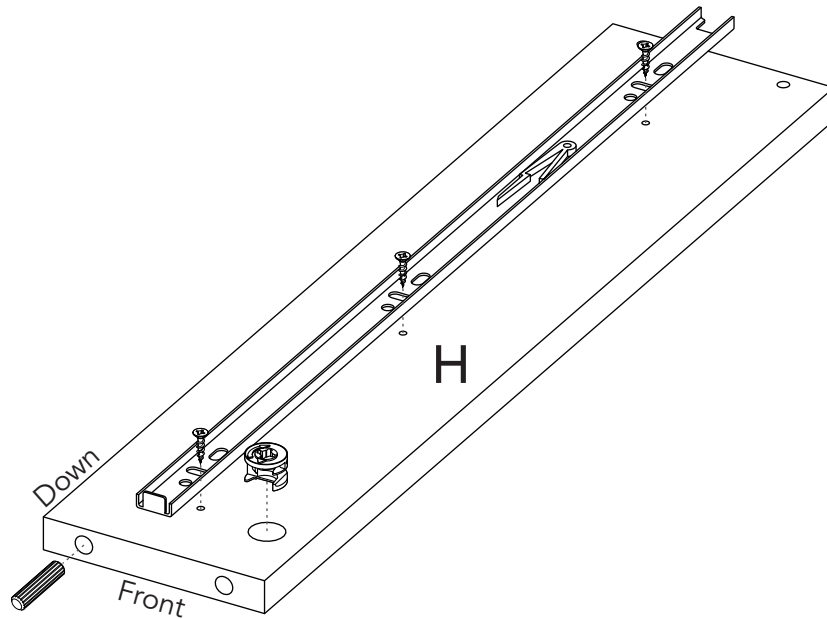


Front screws adjustment

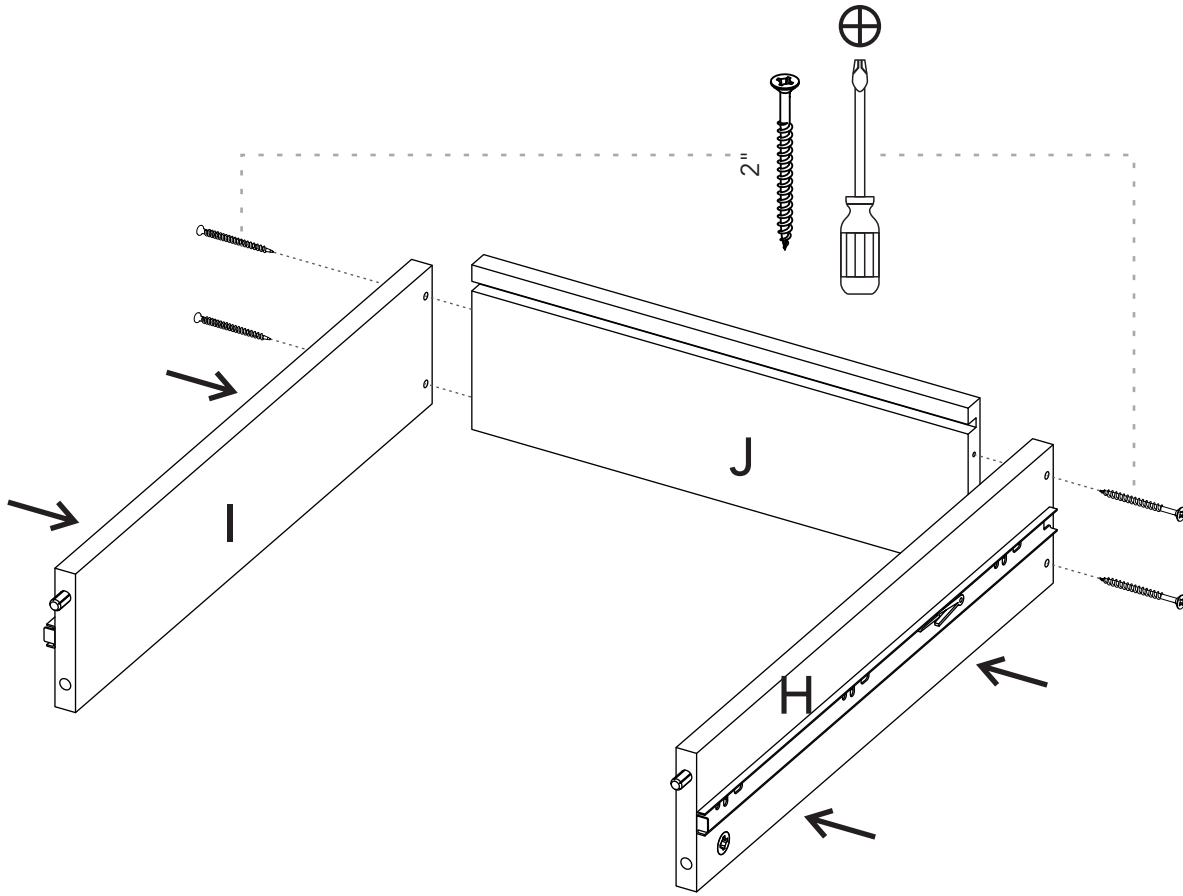
- 15** Take the smaller part of the slide and place it over the panel. The metallic stop should go at the front.



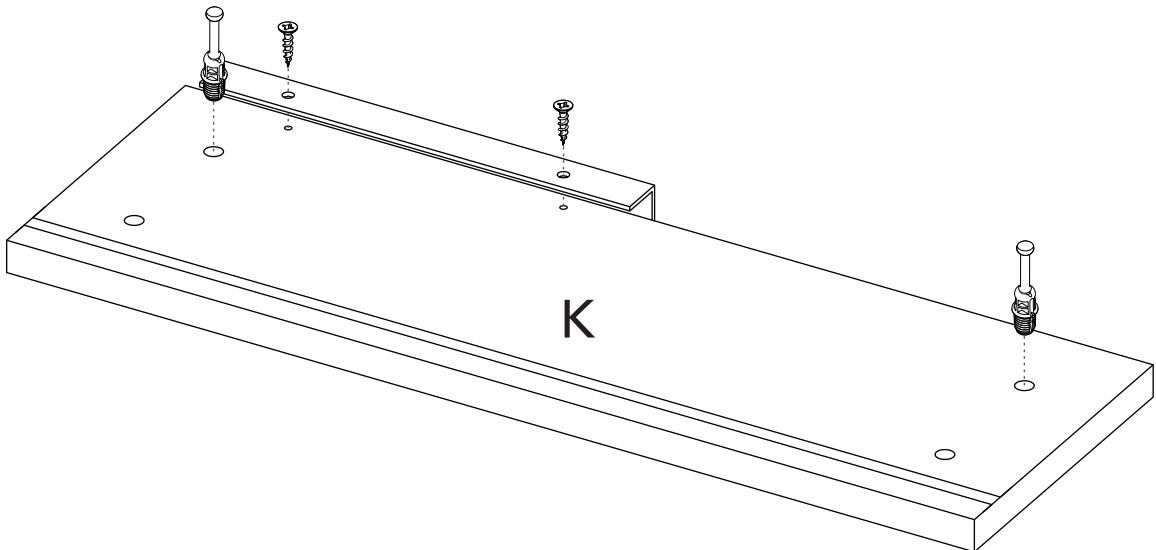
16



17

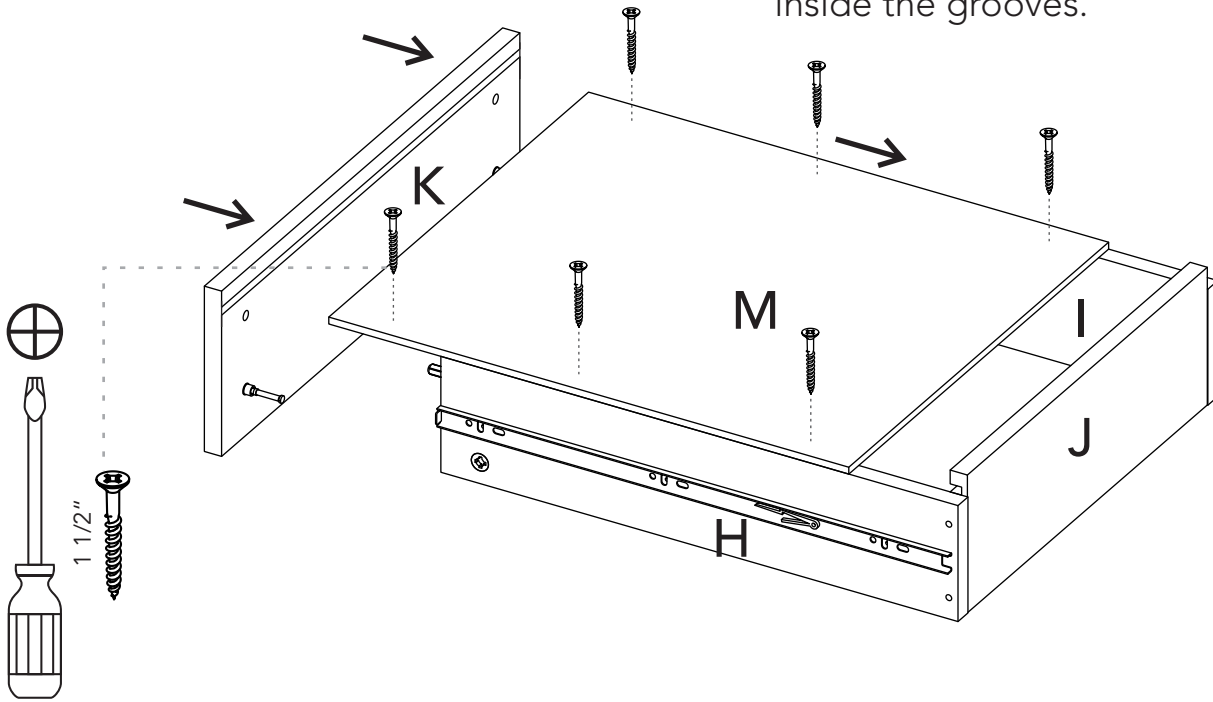


18

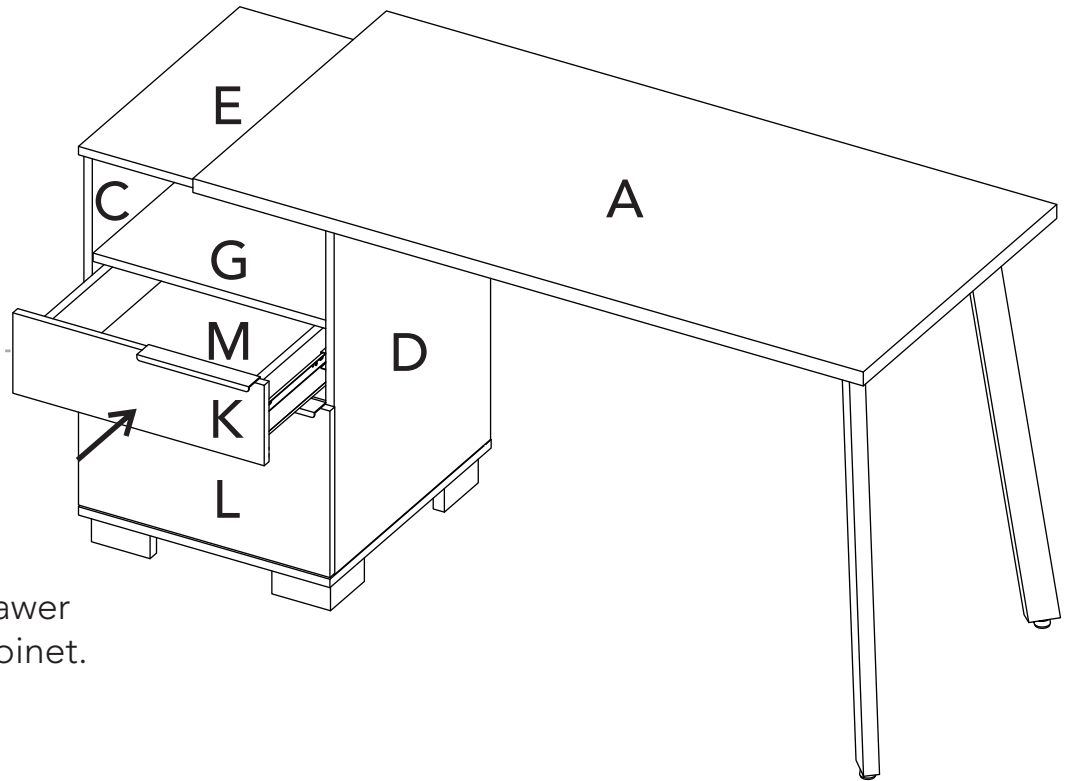


19

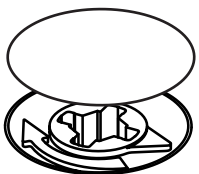
Slide the back panel inside the grooves.



20



Slide the drawer inside the cabinet.

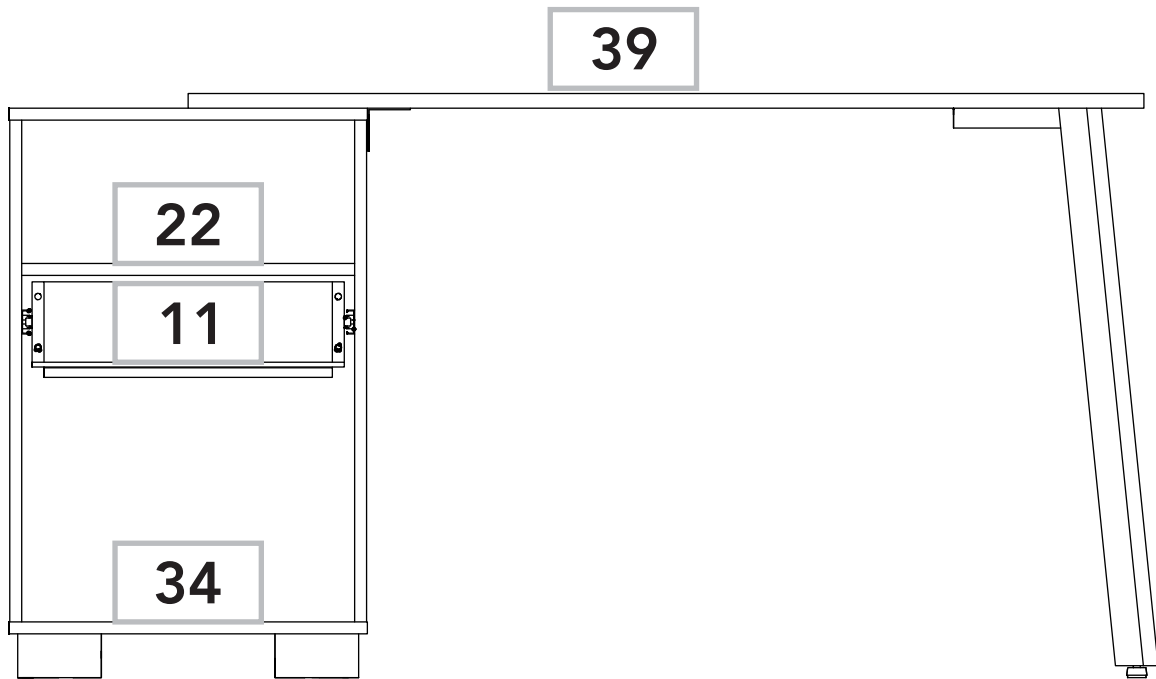


After adjusting all the Minifix cams, cover them up with the cover caps.

A

After finishing the assembly, lift off all the adhesive letters.

How much weight does my cabinet resist?



*weight in pounds



**Congratulations!
It's done**

But don't go yet!

There are some recommendations left for you to take care of your cabinet correctly from now on.

SUPER IMPORTANT!

We suggest fixing the cabinet to the wall, so we can avoid the cabinet tipping and harming anyone. Be specially careful with the kids.

Taking care of your cabinet:

- Do not paint the cabinet.
- The cabinet is exclusively for indoor spaces. Do not expose it to the direct sun.
- Clean the metallic hardware with a dry cloth.
- DO NOT overload the cabinet (see suggested loads)
- Do not hit or hammer the cabinet (only when indicated here).
- Clean it with thinner, a soft soap solution or simply a damp cloth.
- Don't drag the cabinet, lift it up with other people.
- Avoid direct contact with water, fire or exposing it to high heat.

Cabinet panels

