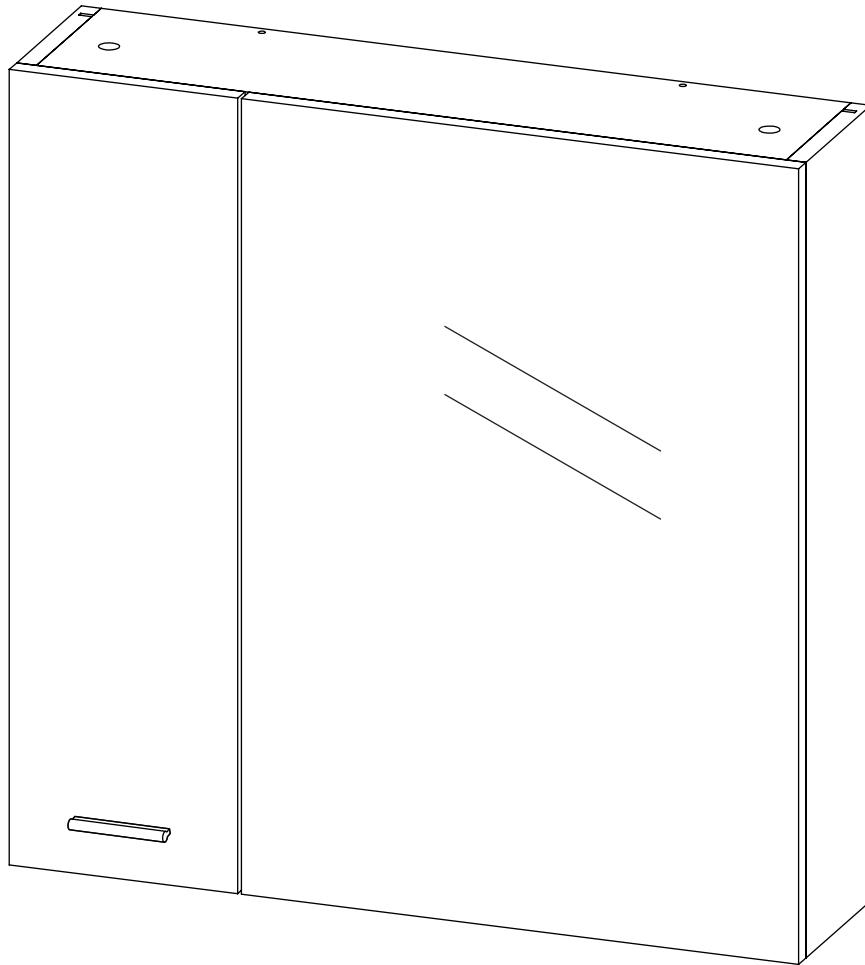


ASSEMBLY INSTRUCTIONS

INSTRUCCIONES DE ENSAMBLE



Height: 23,62 in

Alto: 60 cm

Width: 23,62 in

Ancho: 60 cm

Depth: 5,87 in

Fondo: 14.9 cm

LOT N°

MEDICINE CABINET

Gabinete de Baño



IMPORTANT RECOMMENDATIONS

Do not paint the cabinet.

The cabinet **MUST** be used exclusively indoors, do not expose to direct sun.

Clean metallic hardware with a dry cloth.

Do **NOT** overload the cabinet (see suggested loads).

Do not hit or hammer the cabinet (just when indicated).

Clean with a slightly damp cloth, use gentle soaps.

Do not drag, lift and move between two people.

Avoid direct contact with water, fire or exposure to heat sources.

RECOMENDACIONES IMPORTANTES

No pintar el mueble.

El mueble debe ser usado únicamente en interiores, no exponer al sol directo.

Limpiar los herrajes metálicos con un paño seco.

NO sobrecargar el mueble (ver las cargas sugeridas).

No golpear ni martillar el mueble (solo cuando se indique).

Limpiar con un paño ligeramente húmedo, usar jabones suaves.

No arrastre el mueble, levántelo entre dos personas.

Evite el contacto directo con el agua, el fuego o la exposición a fuentes de calor.



WARNING

Never allow children to climb or manipulate the cabinet, furniture tip over can cause serious injuries or death.



ADVERTENCIA

Nunca permita que los niños escalen o manipulen el mueble, la caída de este puede provocar lesiones graves o la muerte.

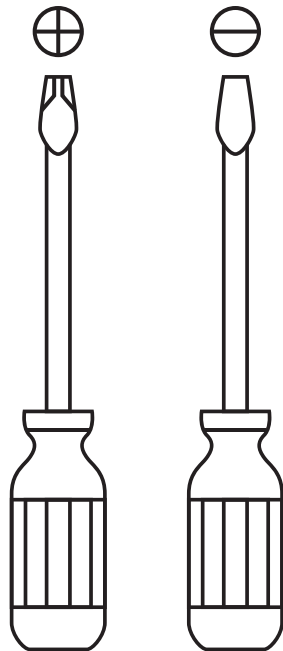
INDEX

Assembly Hardware.....	4
Assembly Parts.....	5
Suggested Loads.....	6
Assembly Recommendations.....	6
Assembly Steps.....	7-15
Warranty.....	16

ÍNDICE

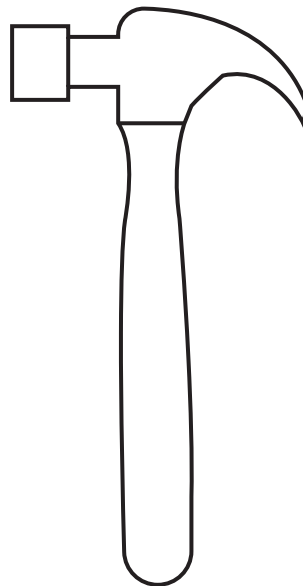
Herrajes para Armado.....	4
Piezas de Armado.....	5
Cargas Sugeridas.....	6
Recomendaciones de Ensamble.....	6
Pasos de Armado.....	7-15
Garantía.....	16

REQUIRED TOOLS*



*Not included, and not shown actual size.

HERRAMIENTAS NECESARIAS*



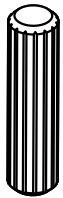
*No incluidas y no se muestran en tamaño real.

ASSEMBLY HARDWARE

HERRAJES PARA ARMADO

Please check that the hardware content is correct. If any item is missing, please call to our customer service line.

Compruebe que el contenido de los herrajes sea el correcto. En caso de que falte alguna pieza, por favor llame a nuestra línea de atención al cliente.



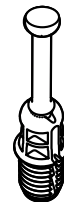
x23

Wood Dowel
Tarugo



x6

Minifix Cams
Minifix



x6

Spreading Bolt
Perno Minifix



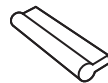
x6

Cover Caps
Tapa Adhesiva
Minifix



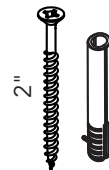
x1

Mirror + Tape
Espejo + Cinta



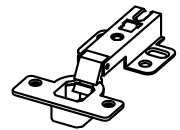
x1

Handle
Manija



x3

Wall anchor
+ screw
Chazo + Tornillo de Ensamble



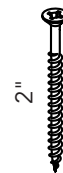
x4

Hinge +
screws
Bisagra



x16

Flat head
screw
Tornillo Lamina



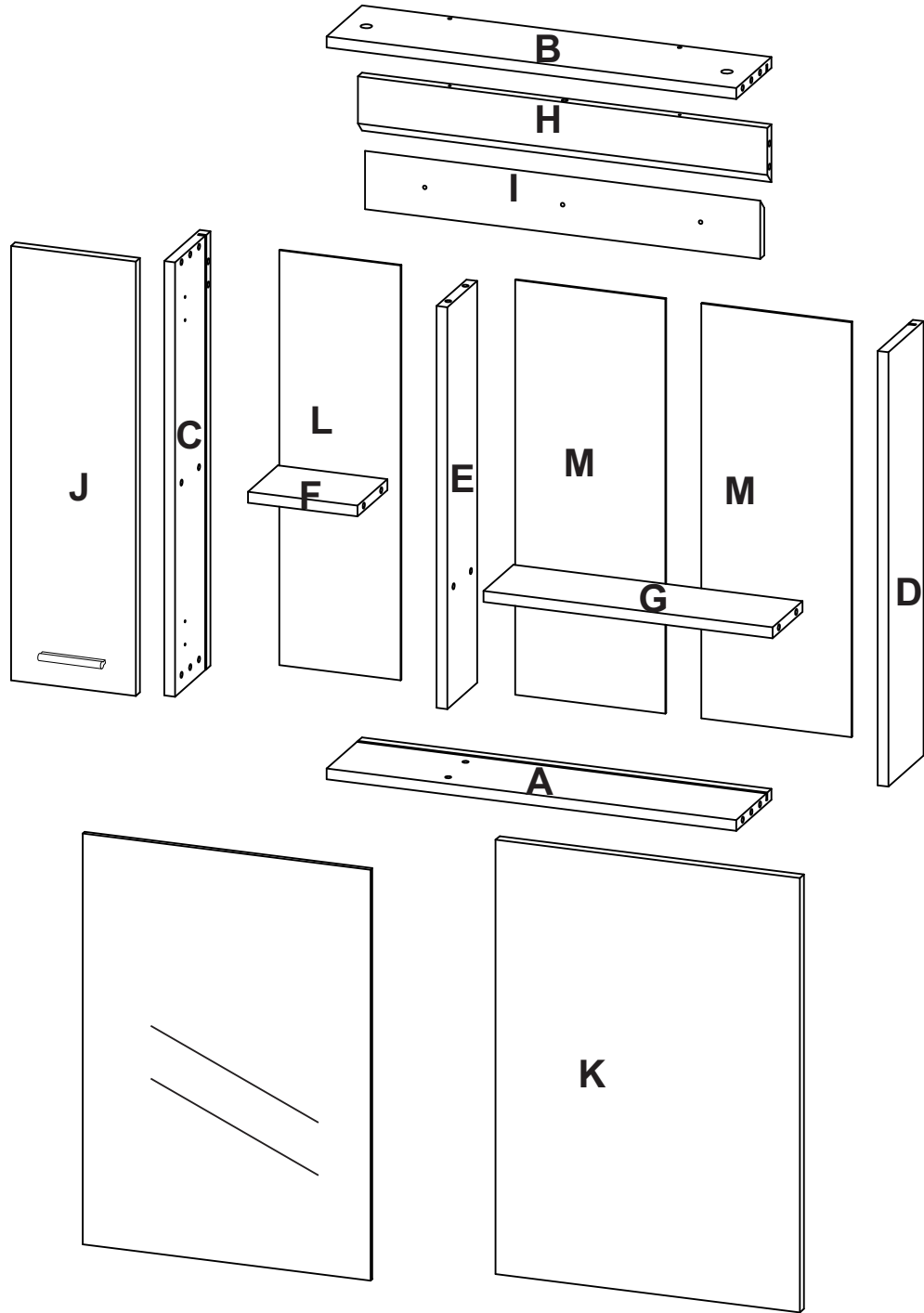
x2

Drywall
screw
Tornillo de Ensamble

Hardware items are NOT shown actual size.
Los herrajes no se muestran el tamaño real.

ASSEMBLY PARTS

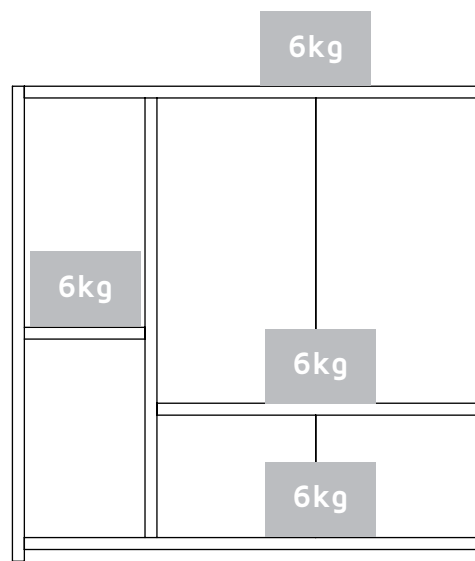
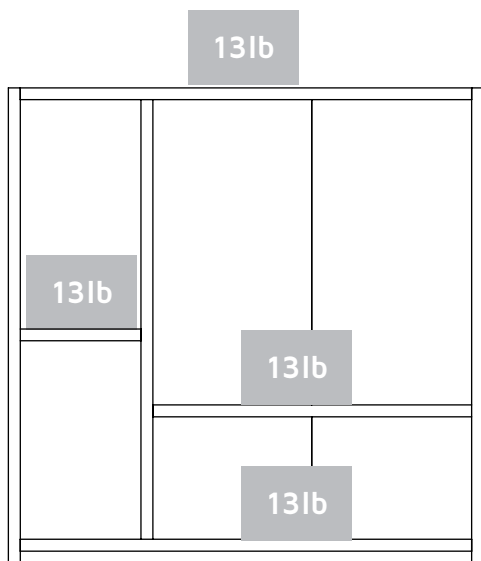
PIEZAS DE ARMADO



A - x1	E - x1	I - x1	M - x2
B - x1	F - x1	J - X1	
C - x1	G - x1	K - x1	
D - x1	H - x1	L - x1	

MAX SUGGESTED LOADS

CARGAS MÁXIMAS SUGERIDAS



ASSEMBLY RECOMMENDATIONS

RECOMENDACIONES DE ENSAMBLE

Two people are recommended to assemble the product.

Ensamble el mueble entre dos personas.

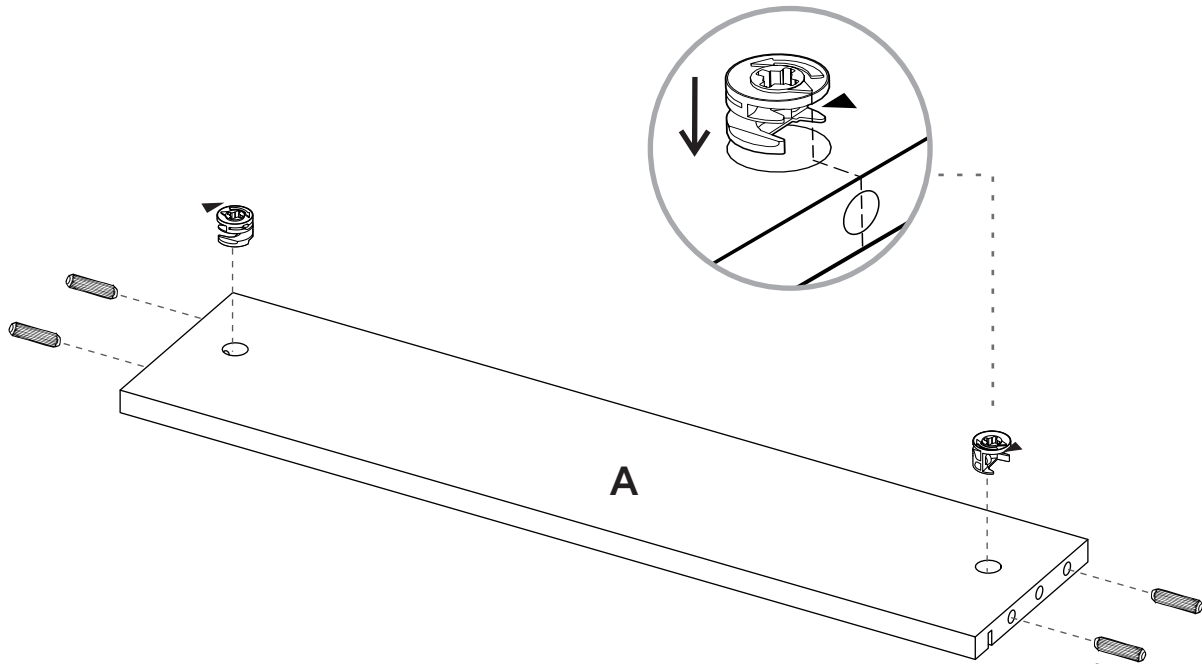
Assemble the cabinet on a flat, smooth surface, preferably on a carpeted floor or the carton box of the product.

Ensamble el mueble sobre una superficie plana y lisa, preferiblemente sobre un tapete o el cartón de la caja

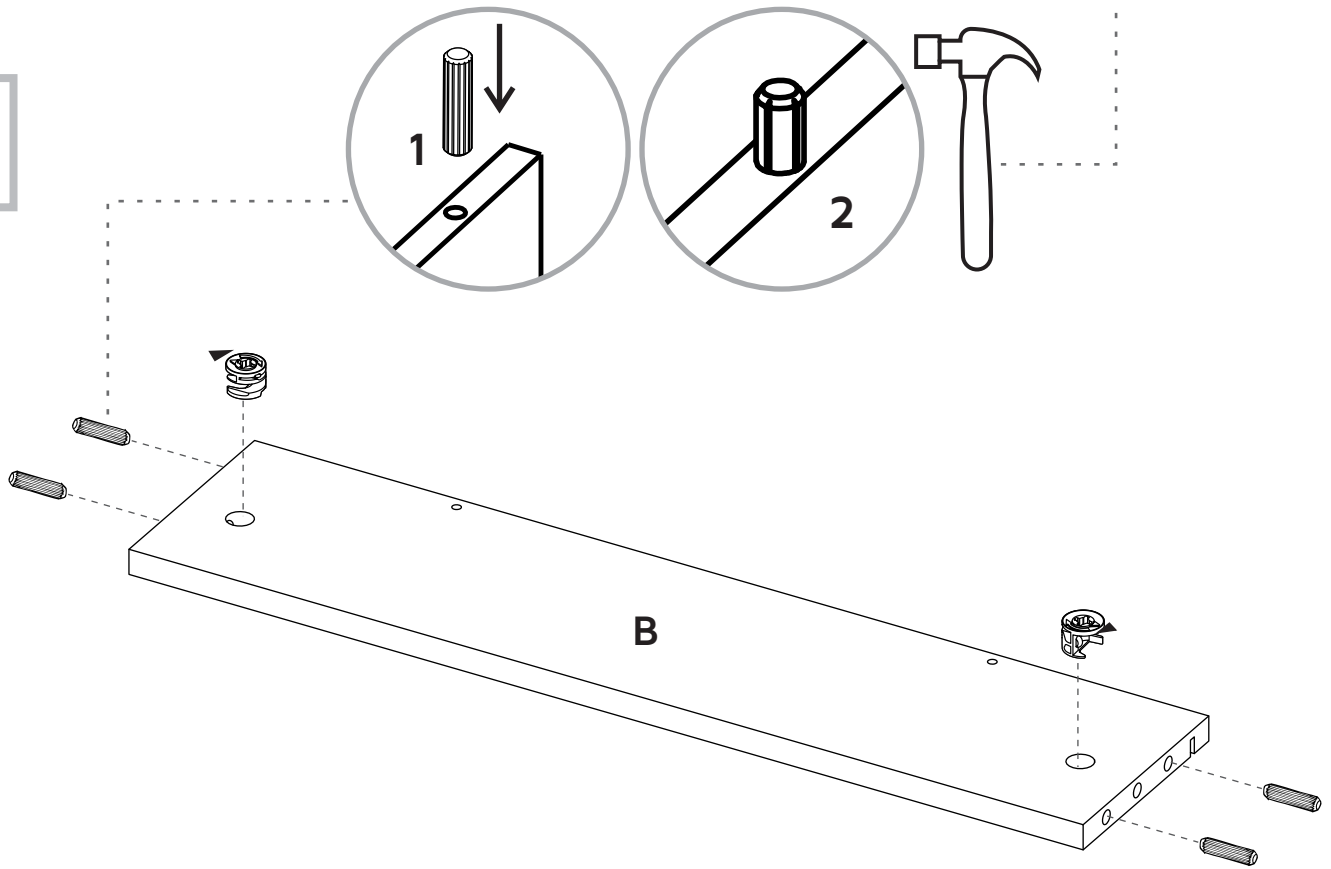
Carefully read the assembly instructions and identify every wood and hardware part before start assembling the cabinet.

Lea cuidadosamente las instrucciones e identifique todas las piezas y herrajes antes de empezar a armar el mueble.

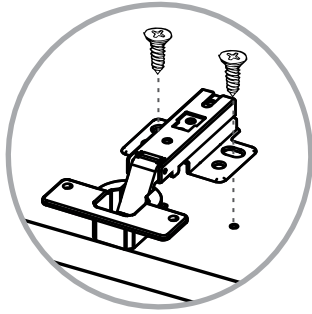
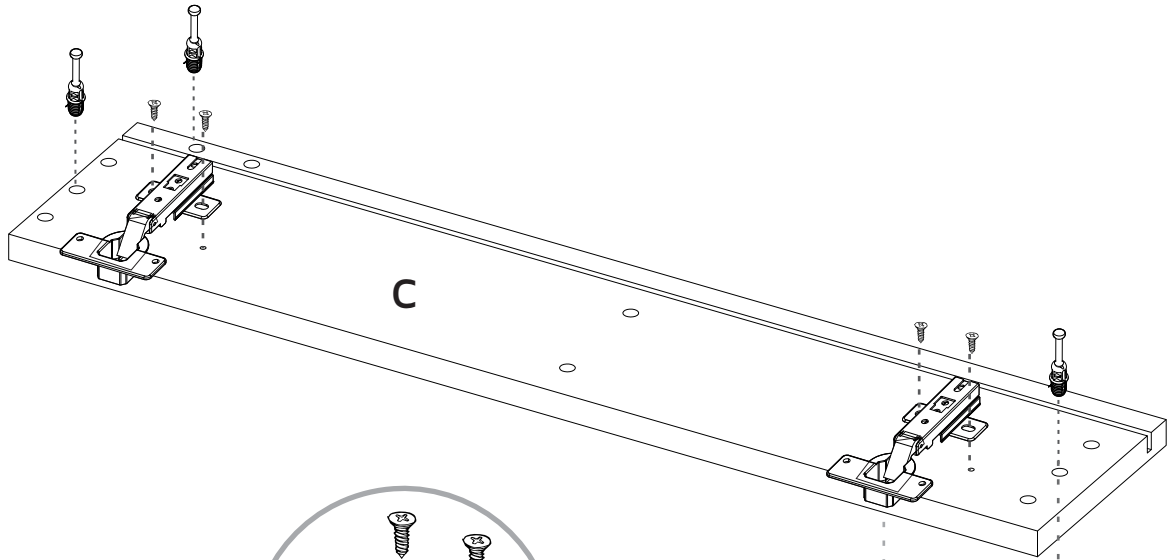
1



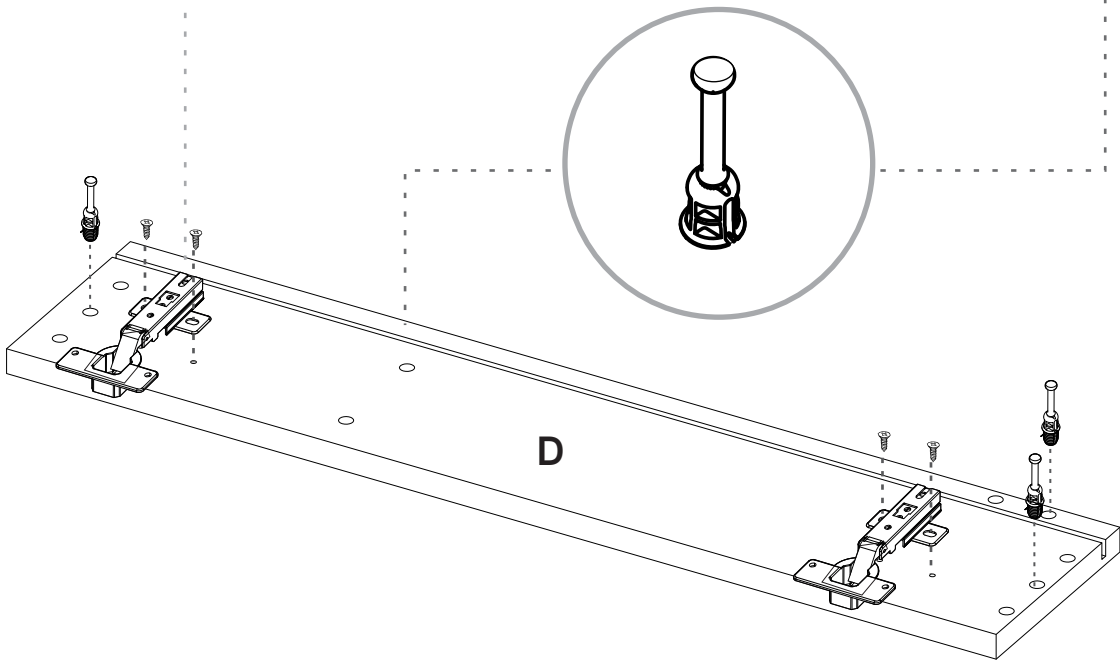
2



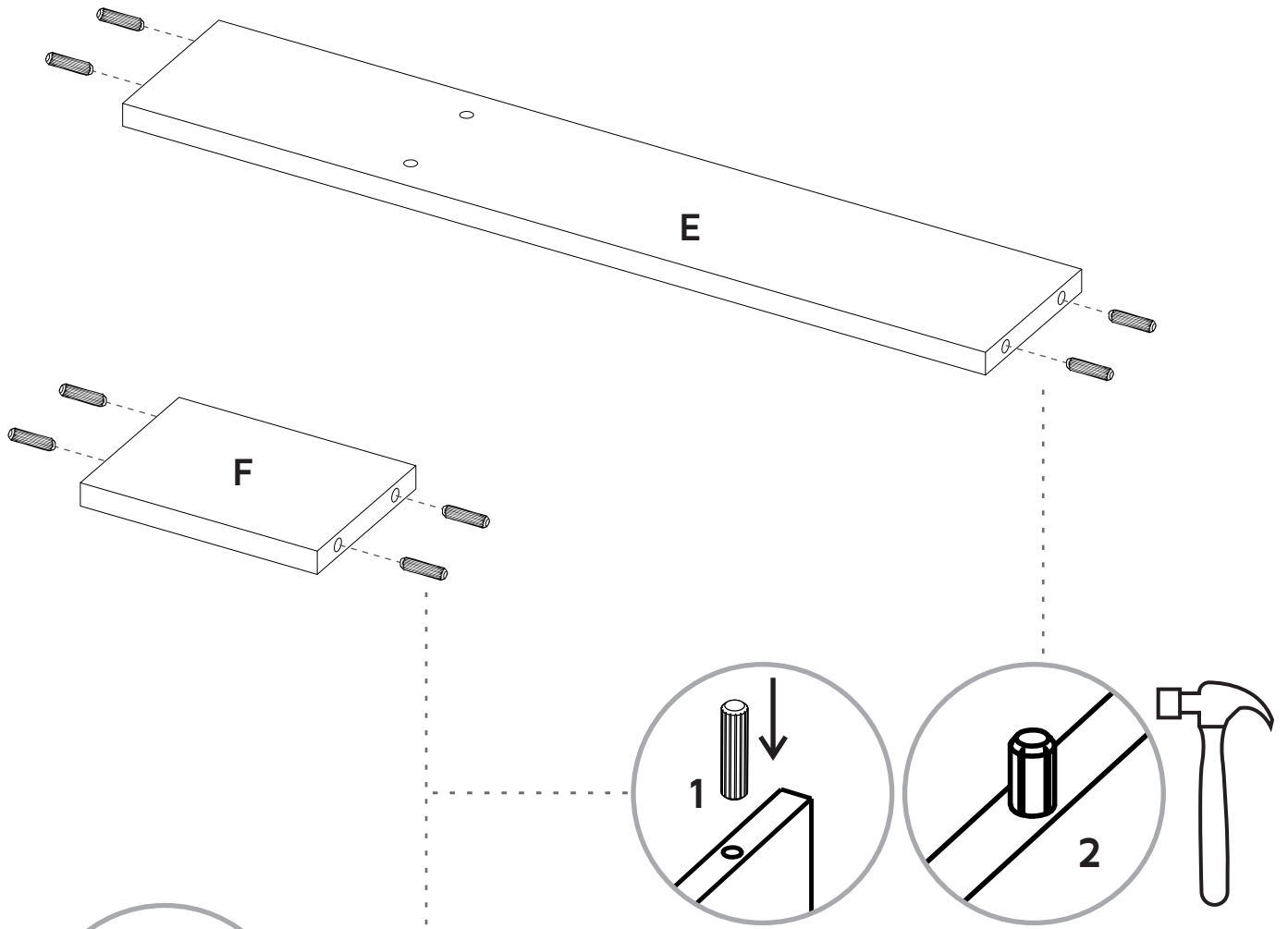
3



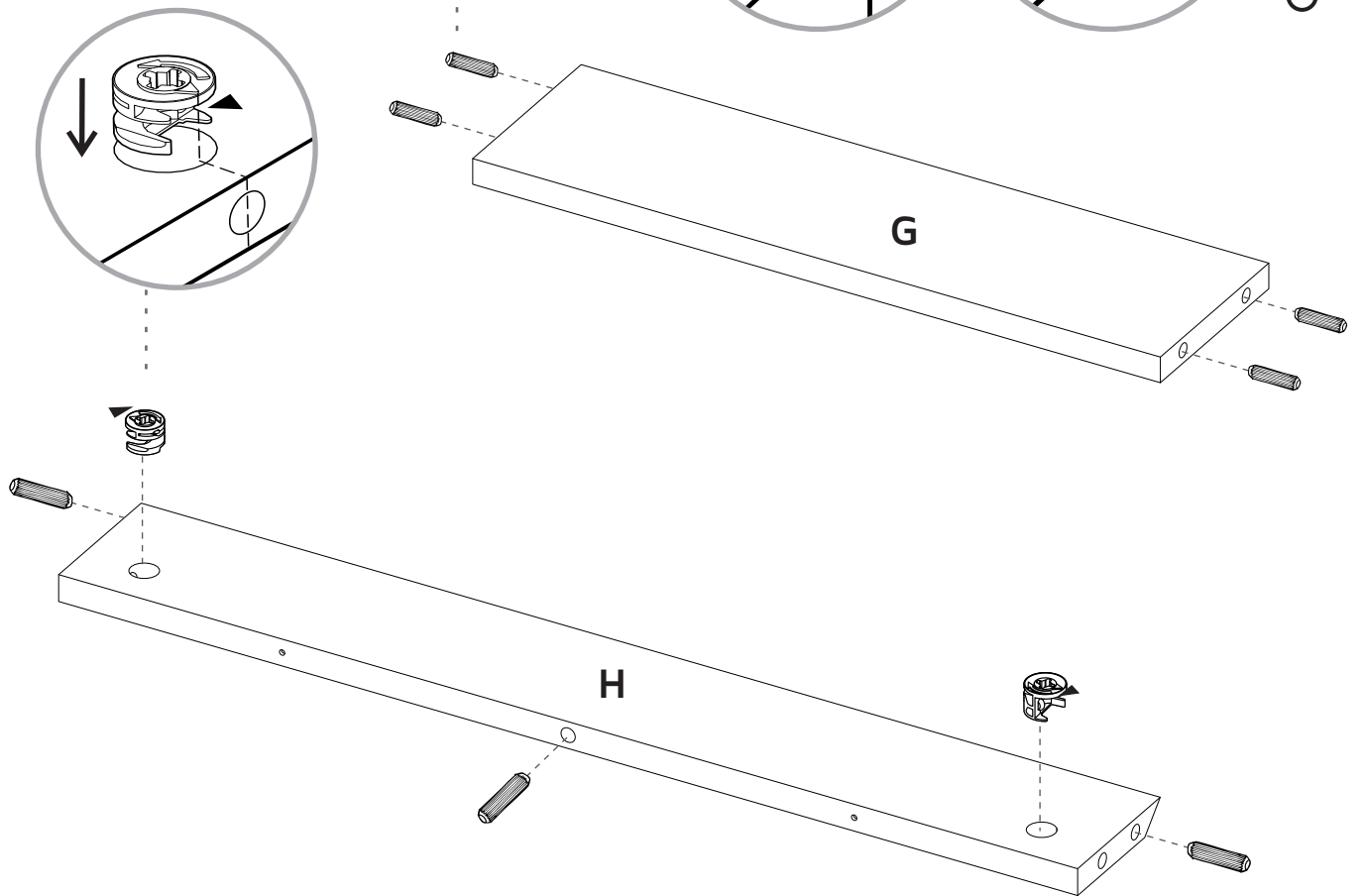
4



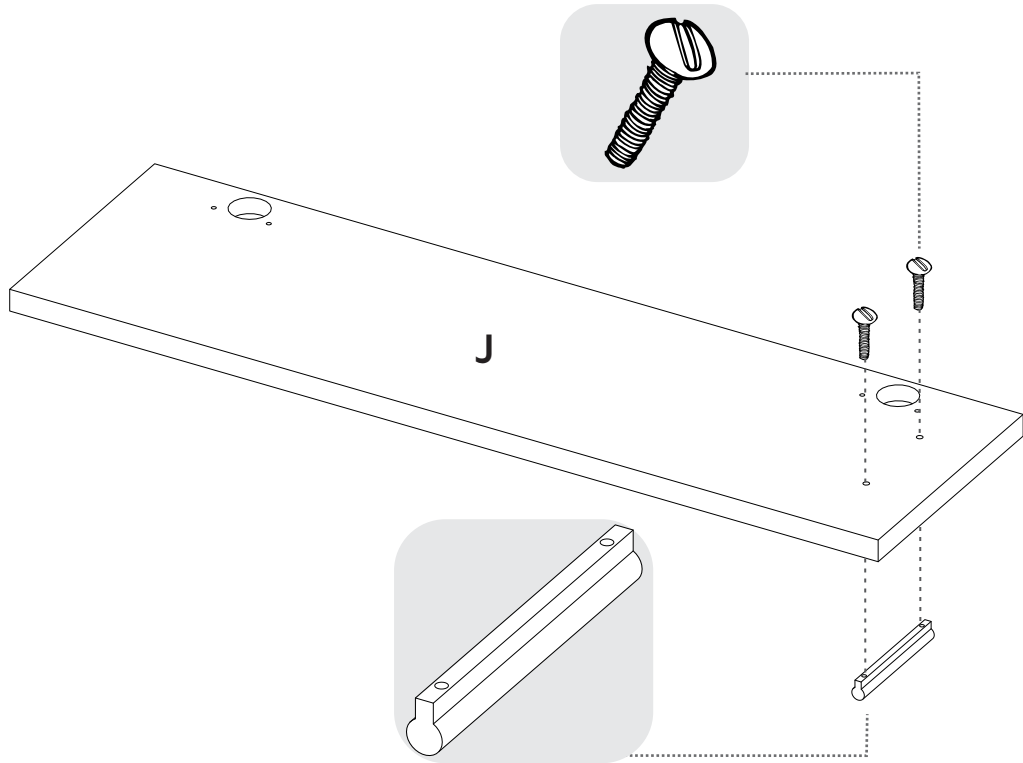
5



6



7

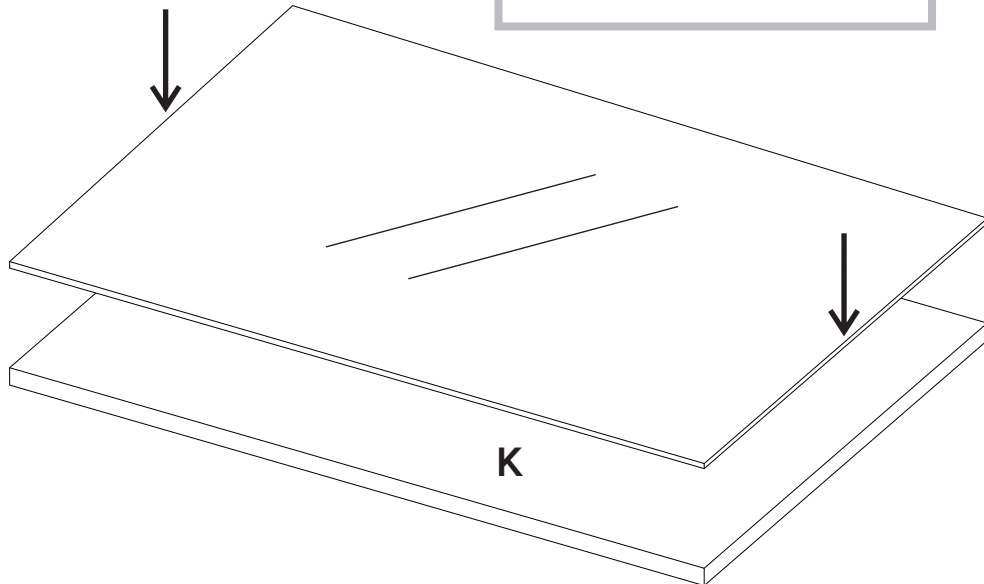


MIRROR/ESPEJO

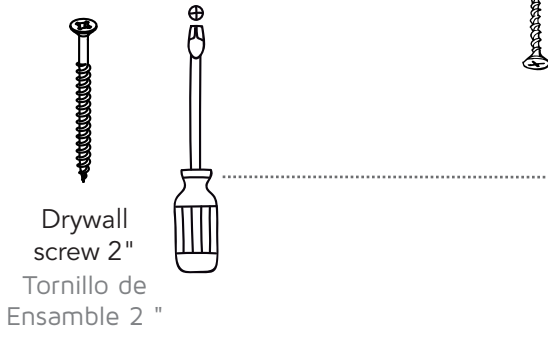
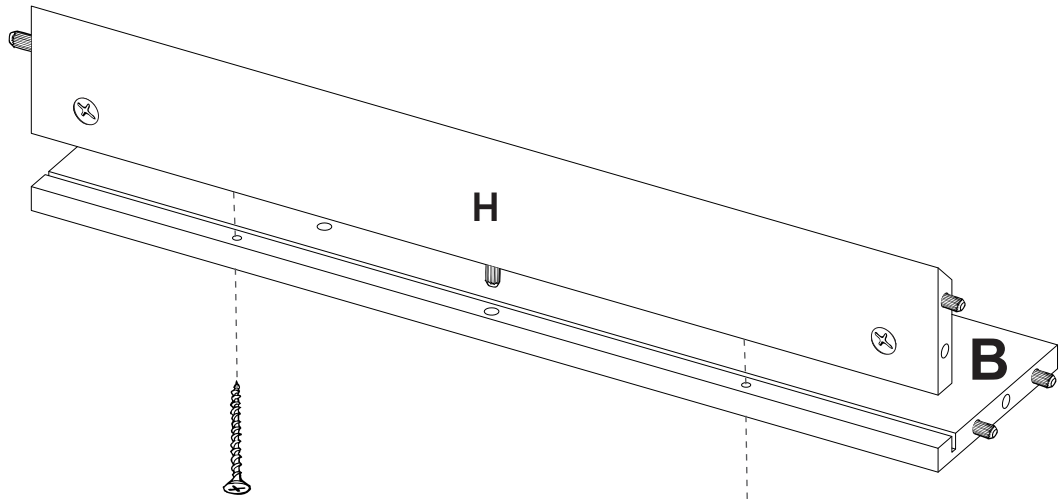
8

To paste the mirror, peel off the cover paper from the pieces of tape and then push the mirror against the piece.
Para pegar el espejo, retire el papel protector de los tramos de cinta y luego presione el espejo contra la pieza.

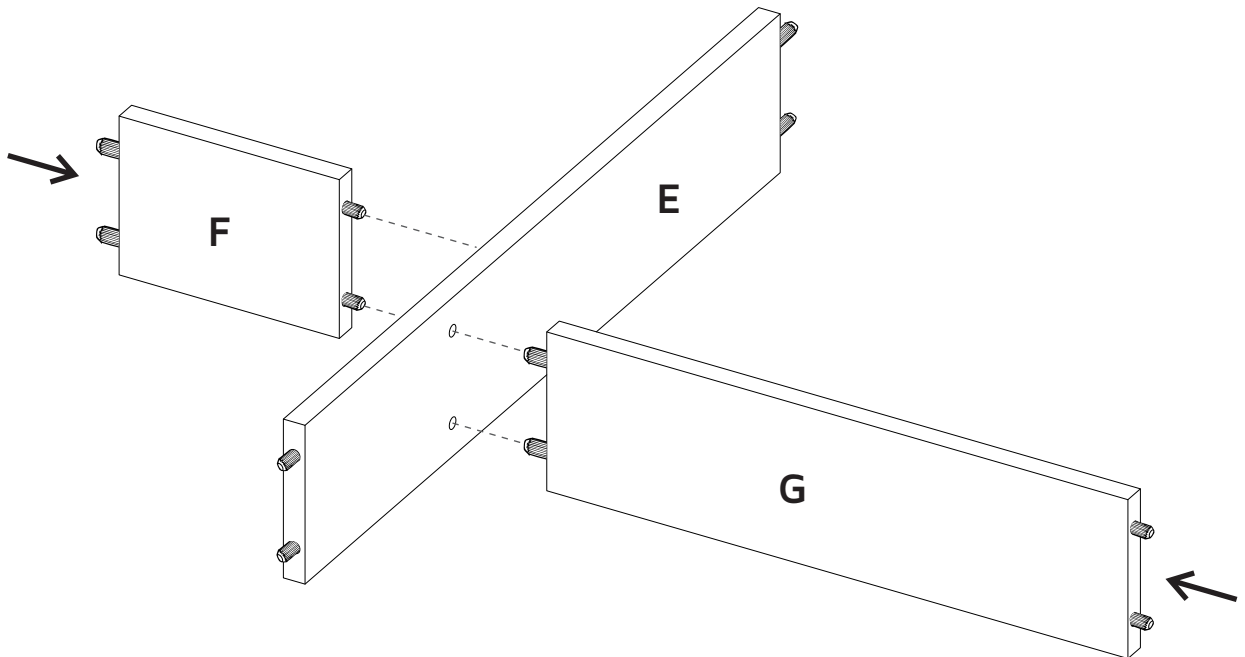
Place the mirror centered on the K piece
Ubique el espejo de manera que quede centrado en la pieza K



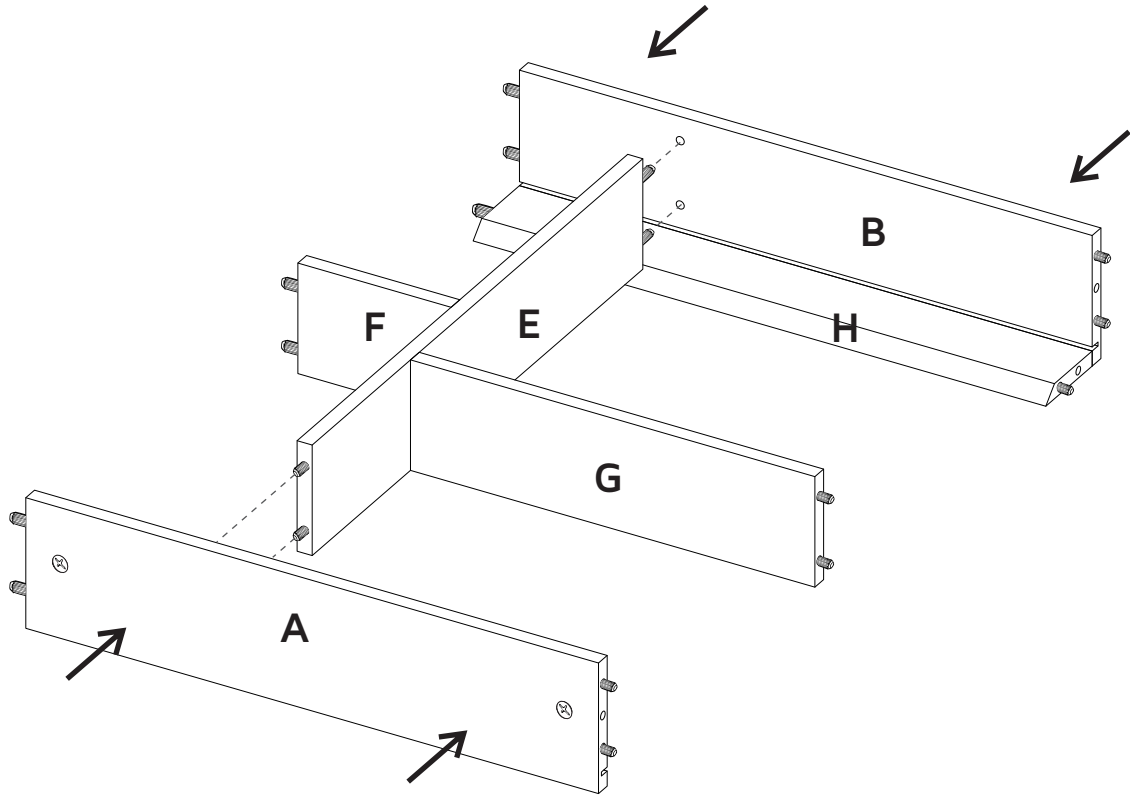
9



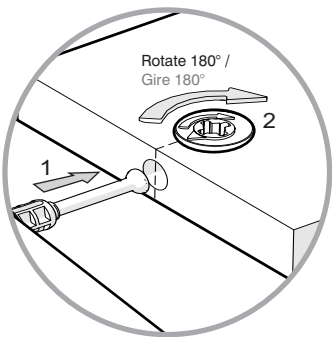
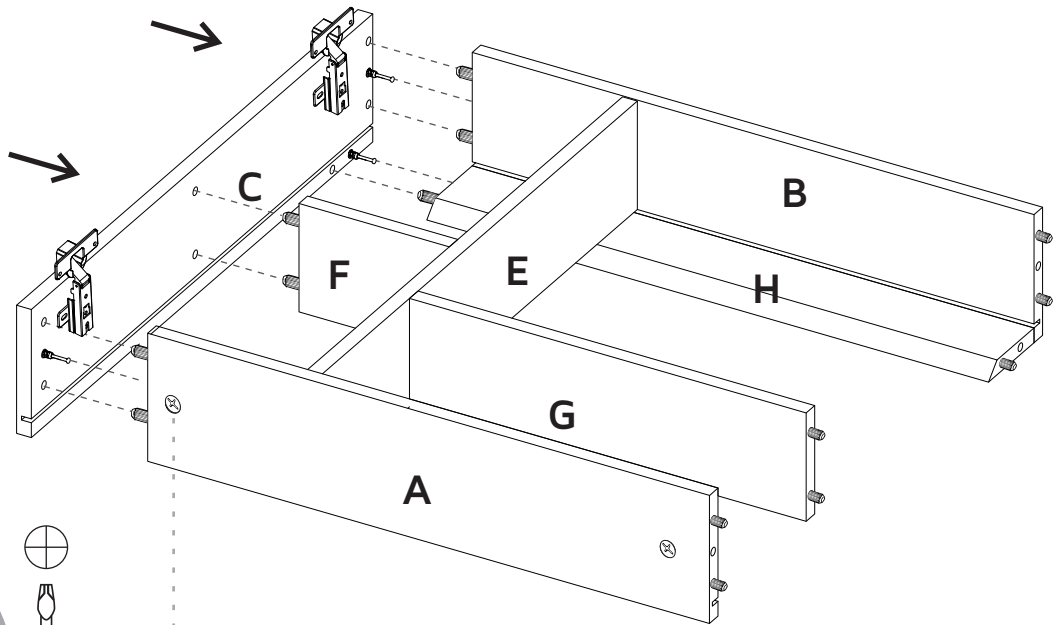
10



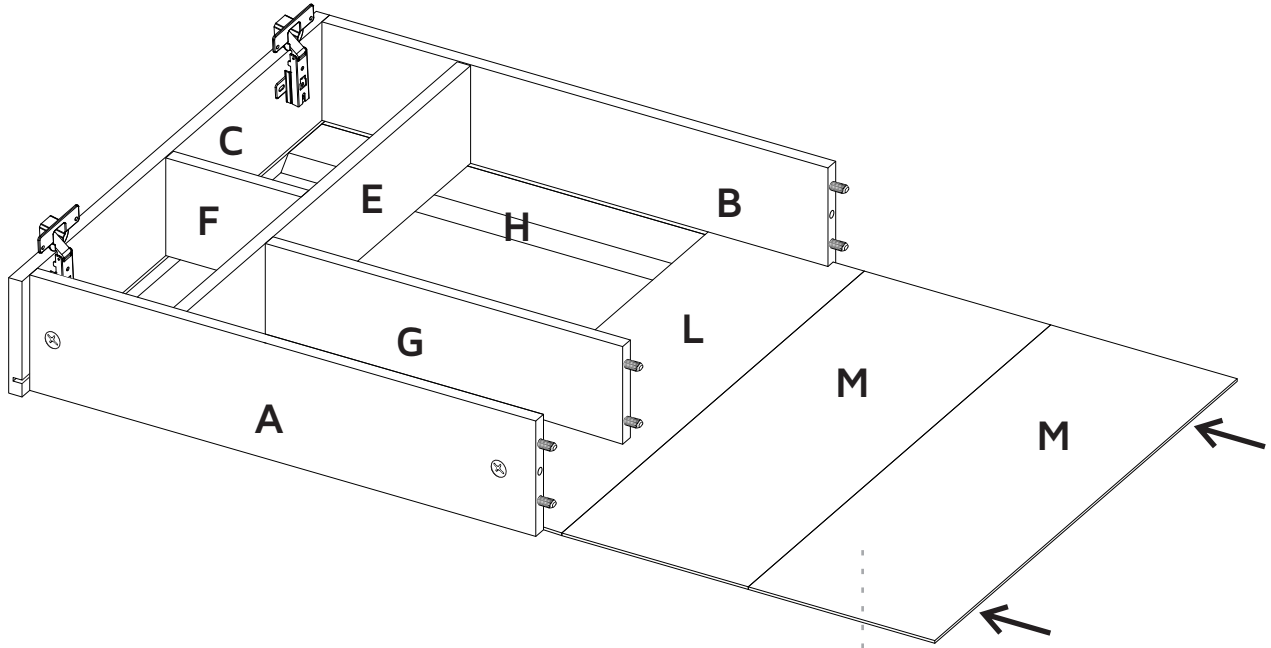
11



12

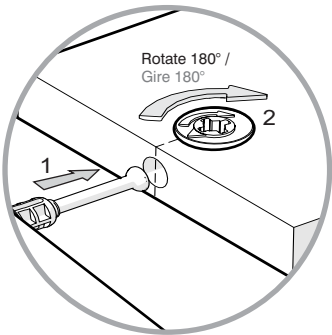
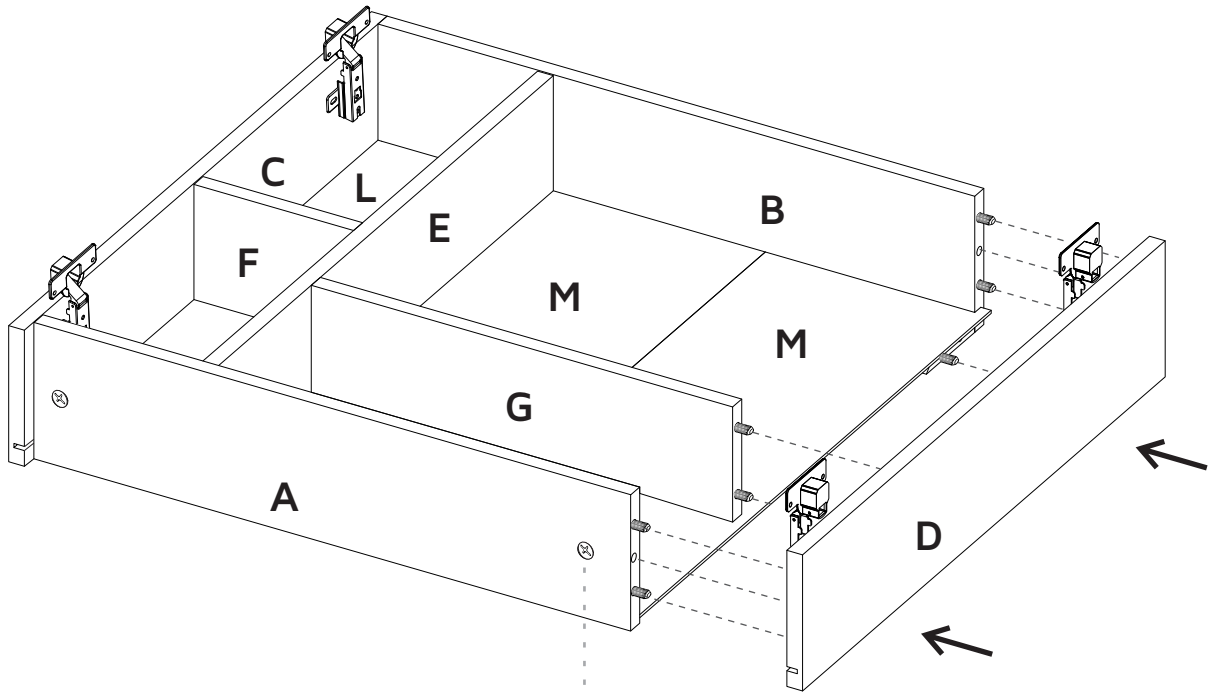


13



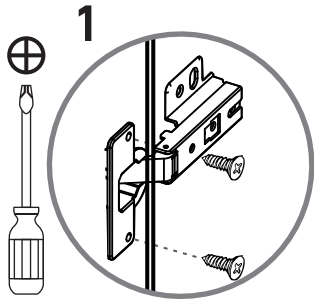
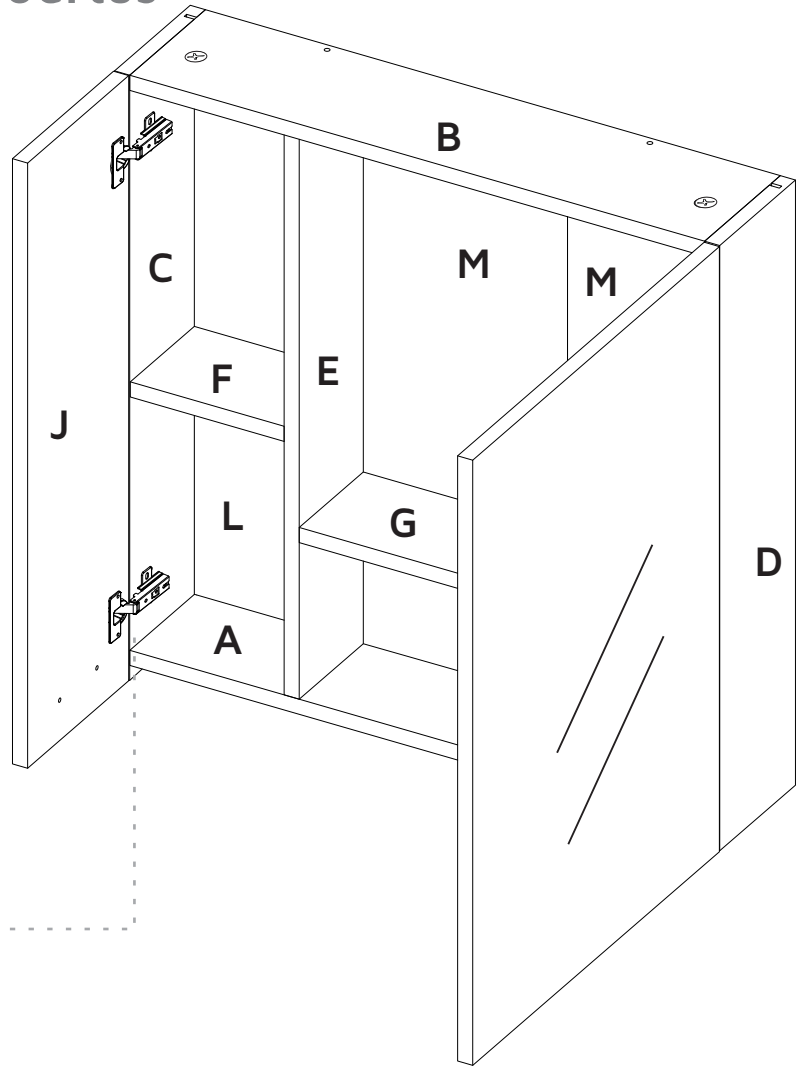
Slide the back panels
inside the cabinet
Deslice los fondos
dentro del mueble

14

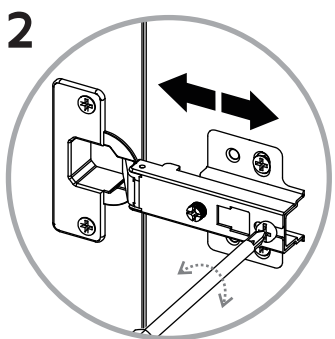


15

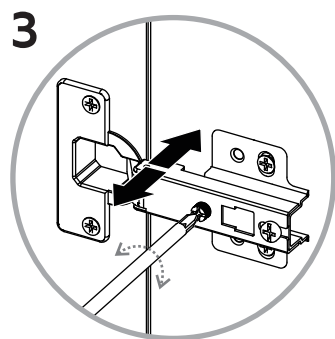
Door Installation Instalación de las Puertas



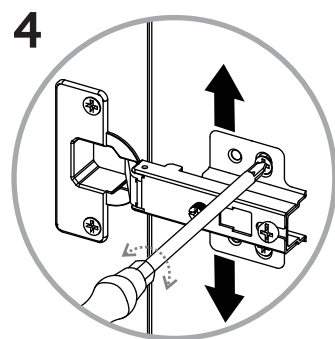
Hinge adjustment Ajuste de las bisagras



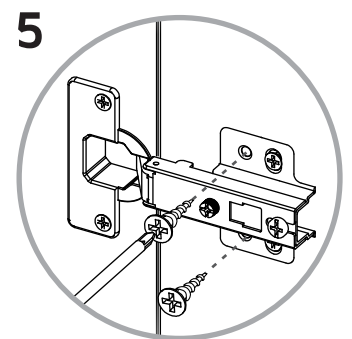
Depth adjustment
Ajuste de profundidad



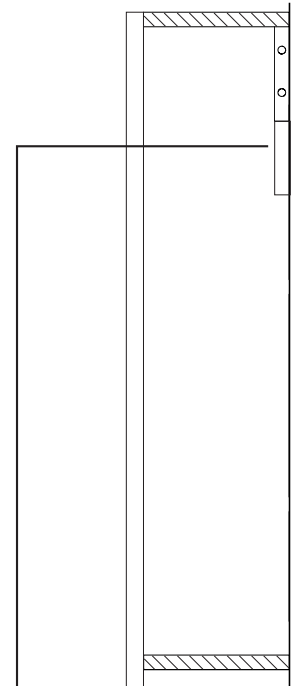
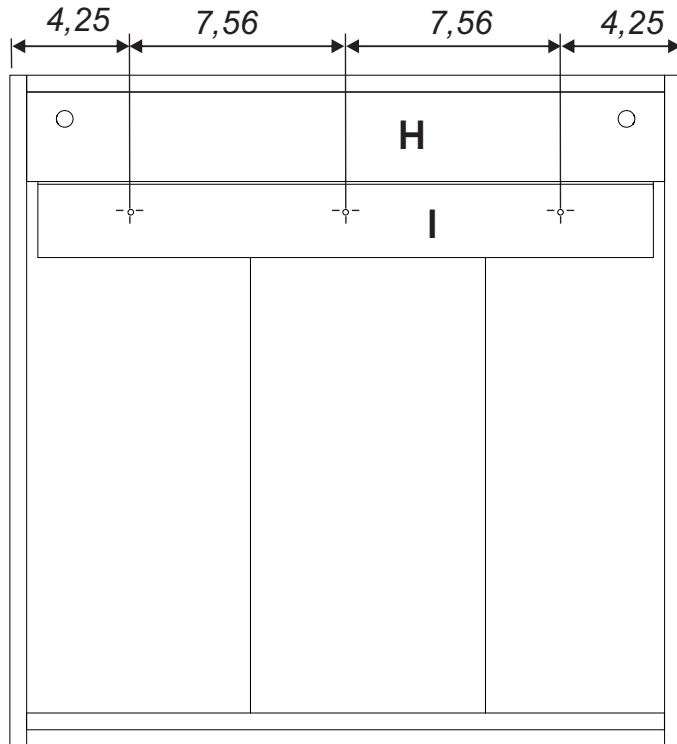
Side adjustment
Ajuste lateral



Height adjustment
Ajuste de altura



16 WALL PARED

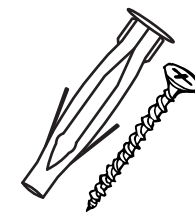
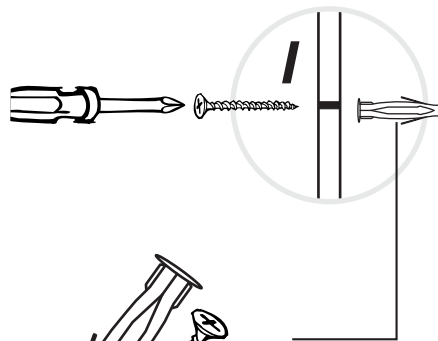


*Measured in inch
Medidas en pulgadas

* Tools not included
Herramientas
NO incluidas

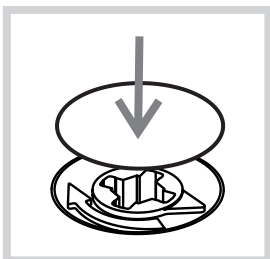


Use a 5/16" drill bit
to drill the wall
Utilizar una broca
de 5/16" para hacer
las perforaciones
en el muro.



Wall Anchor
Tornillo 2" +
Chazo Mariposa

WALL / PARED



After you finish the adjustment
of the cams, cover them with
the cover caps.

Después de ajustar todas
las cajas minifix, cúbralas con las
tapas adhesivas.

A

After you finish assembling the
cabinet, take off the adhesive
letters.

Al terminar de armar, desprenda
las letras adhesivas.

WARRANTY POLICY

PÓLIZA DE GARANTÍA

Furniture has a 1 year warranty coverage in wooden parts and hardware pieces since its manufacturing date, which you can see in the lot number printed on the product box and the assembly instructions leaflet.

Warranty covers materials and workmanship imperfections which impair the assembly or correct functioning of the cabinet.

This warranty is not valid if the defects or imperfections are caused by the incorrect following of the assembly instructions, warnings and recommendations, misuse, intentional damage, fire or flood, or after modifications or any kind of alteration, or repaired by someone not authorized, when it's been assembled 3 months after the date of purchase. These defects MUST be reported before the warranty coverage period ends. Once the product has been assembled, the company will not be responsible for defective and/or damaged parts.

This warranty is ONLY valid for the ORIGINAL PURCHASER, it doesn't apply if the product has been resold, rented, etc.

Furniture will take no liability for incidental or consequential damages caused to or by the product (This may not apply in your state).

To make this warranty valid you must write to our customer service email describing the product defect, lot number and submitting your sales receipt or proof of purchase, or contact us at our customer service line. Replaced parts will be under the product's original warranty coverage period. Damaged parts will become property of the company.

There are no other warranties applicable to this product.