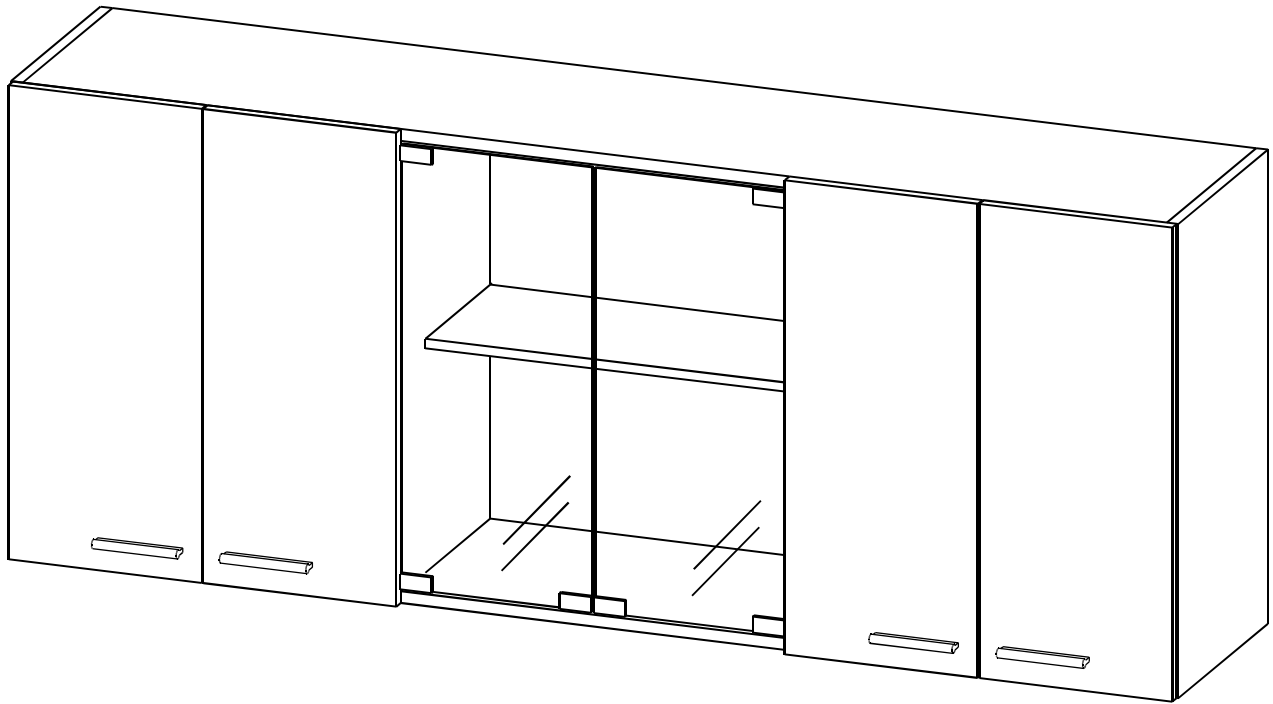


ASSEMBLY INSTRUCTIONS

INSTRUCCIONES DE ENSAMBLE



Height: 23,62 in Alto: 60 cm
Width: 59,05 in Ancho: 150 cm
Depth: 12,40 in Fondo: 31,5 cm

LOT N°

**IF ANY PARTS ARE BROKEN OR
MISSING PLEASE CONTACT US**

AT: 1-888-391-01-66 /

customerservicetuhome@rta.com.co

**OUR CUSTOMER SERVICE TEAM WILL PROVIDE
YOU HELP TO RESOLVE ANY ISSUES IMMEDIATELY**

**150 WALL CABINET WITH
GLASS DOOR**

Gabinete Superior 150 con Vidrio



IMPORTANT RECOMMENDATIONS

RECOMENDACIONES IMPORTANTES

Do not paint the cabinet.

No pintar el mueble.

The cabinet **MUST** be used exclusively indoors, do not expose to direct sun.

El mueble debe ser usado únicamente en interiores, no exponer al sol directo.

Clean metallic hardware with a dry cloth.

Limpiar los herrajes metálicos con un paño seco.

Do **NOT** overload the cabinet (see suggested loads).

NO sobrecargar el mueble (ver las cargas sugeridas).

Do not hit or hammer the cabinet (just when indicated).

No golpear ni martillar el mueble (solo cuando se indique).

Clean with a slightly damp cloth, use gentle soaps.

Limpiar con un paño ligeramente húmedo, usar jabones suaves.

Do not drag, lift and move between two people.

No arrastre el mueble, levántelo entre dos personas.

Avoid direct contact with water, fire or exposure to heat sources.

Evite el contacto directo con el agua, el fuego o la exposición a fuentes de calor.



WARNING

Never allow children to climb or manipulate the cabinet, furniture tip over can cause serious injuries or death.



ADVERTENCIA

Nunca permita que los niños escalen o manipulen el mueble, la caída de este puede provocar lesiones graves o la muerte.

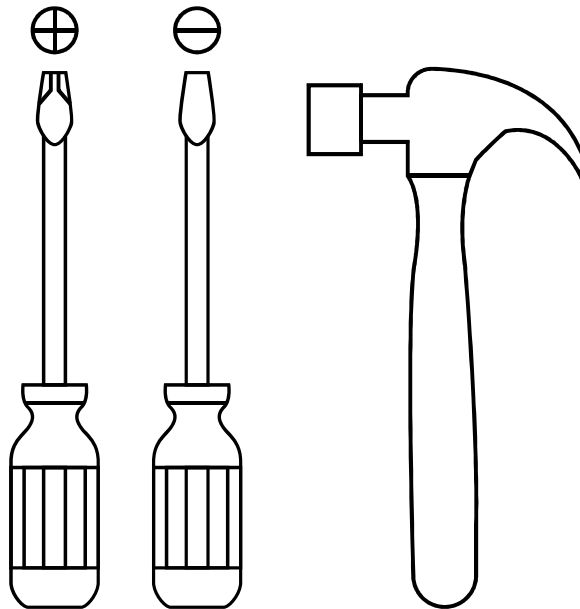
INDEX

ÍNDICE

Assembly Hardware	4-5	Herrajes para Armado.....	4-5
Assembly Parts	6	Piezas de Armado.....	6
Suggested Loads.....	7	Cargas Sugeridas.....	7
Assembly Recommendations.....	7	Recomendaciones de Ensamble.....	7
Assembly Steps	8-18	Pasos de Armado.....	8-18
Warranty.....	19	Garantía	19

REQUIRED TOOLS*

HERRAMIENTAS NECESARIAS*



*Not included, and not shown actual size.

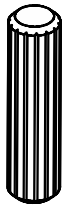
*No incluidas y no se muestran en tamaño real.

ASSEMBLY HARDWARE

Please check that the hardware content is correct. If any item is missing, please call to our customer service line.

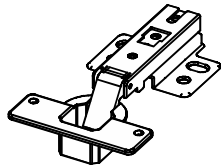
HERRAJES PARA ARMADO

Compruebe que el contenido de los herrajes sea el correcto. En caso de que falte alguna pieza, por favor llame a nuestra línea de atención al cliente.



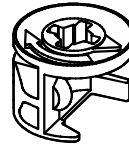
x10

Wood Dowel
Tarugo



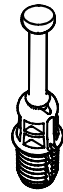
x8

Full Overlay Hinge
(Includes screws)
Bisagra Parche
(Incluye tornillos)



x16

Minifix Cams
Minifix



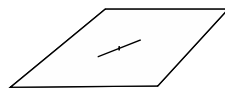
x16

Spreading Bolt
Perno Minifix



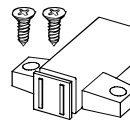
x20

Cover Caps
Tapa Adhesiva
Minifix



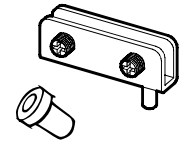
x2

Glass
Vidrio



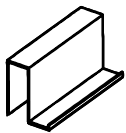
x1

Magnetic Stop
Vaivén Magnético



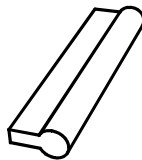
x4

Glass Door
Hinge
Bisagra Puerta
Vidrio



x2

Metallic Handle
Tiradera Metálica



x4

Handle
(Includes screws)
Manija
(Incluye tornillos)



x4

Shelf Support
Soporte entrepaño



x6

Panel Pin
Puntillas

Hardware items are NOT shown actual size.

Los herrajes no se muestran en el tamaño real.

ASSEMBLY HARDWARE

Please check that the hardware content is correct. If any item is missing, please call to our customer service line.

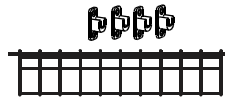
HERRAJES PARA ARMADO

Compruebe que el contenido de los herrajes sea el correcto. En caso de que falte alguna pieza, por favor llame a nuestra línea de atención al cliente.



x1

Glass organizer
(Includes screws)
Locero 46cm
(Incluye soportes
y tornillos)



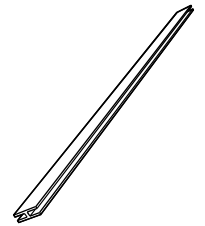
x1

Plate rack
(Includes screws)
Platero 46cm
(Incluye soportes
y tornillos)



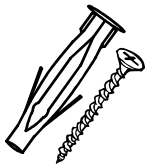
x5

2" Drywall Screw
Tornillo Ensamble 2"



x1

Guide Profile
Perfil en H



x3

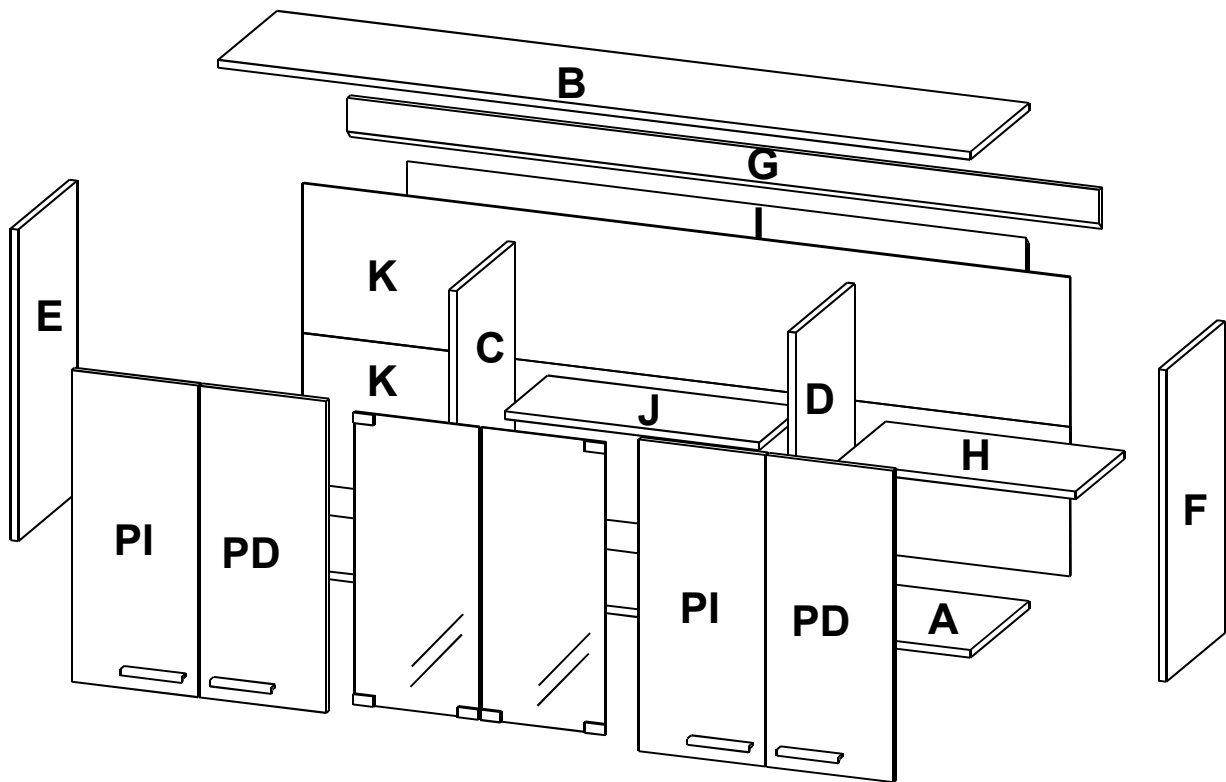
Wall Anchor
+ Drywall Screw
Chazo Mariposa +
Tornillo Ensamble

Hardware items are NOT shown actual size.

Los herrajes no se muestran en el tamaño real.

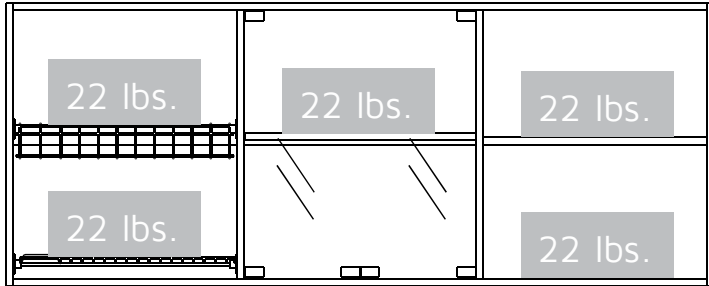
ASSEMBLY PARTS

PIEZAS DE ARMADO

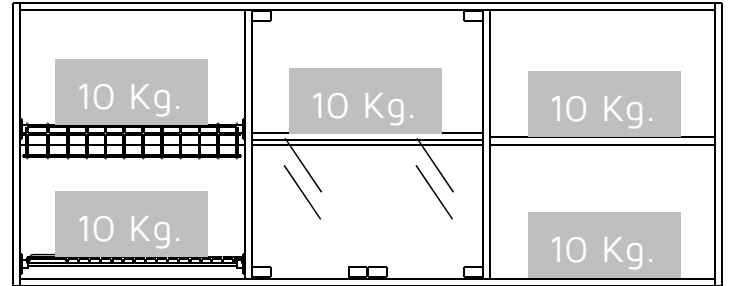


A - x1	F - x1	PI - x2
B - x1	G - x1	PD - x2
C - x1	H - x1	K - x2
D - x1	I - x1	
E - x1	J - x1	

MAX SUGGESTED LOADS



CARGAS MÁXIMAS SUGERIDAS



ASSEMBLY RECOMMENDATIONS

Two people are recommended to assemble the product.

Assemble the cabinet on a flat, smooth surface, preferably on a carpeted floor or the carton box of the product.

Carefully read the assembly instructions and identify every wood and hardware part before start assembling the cabinet.

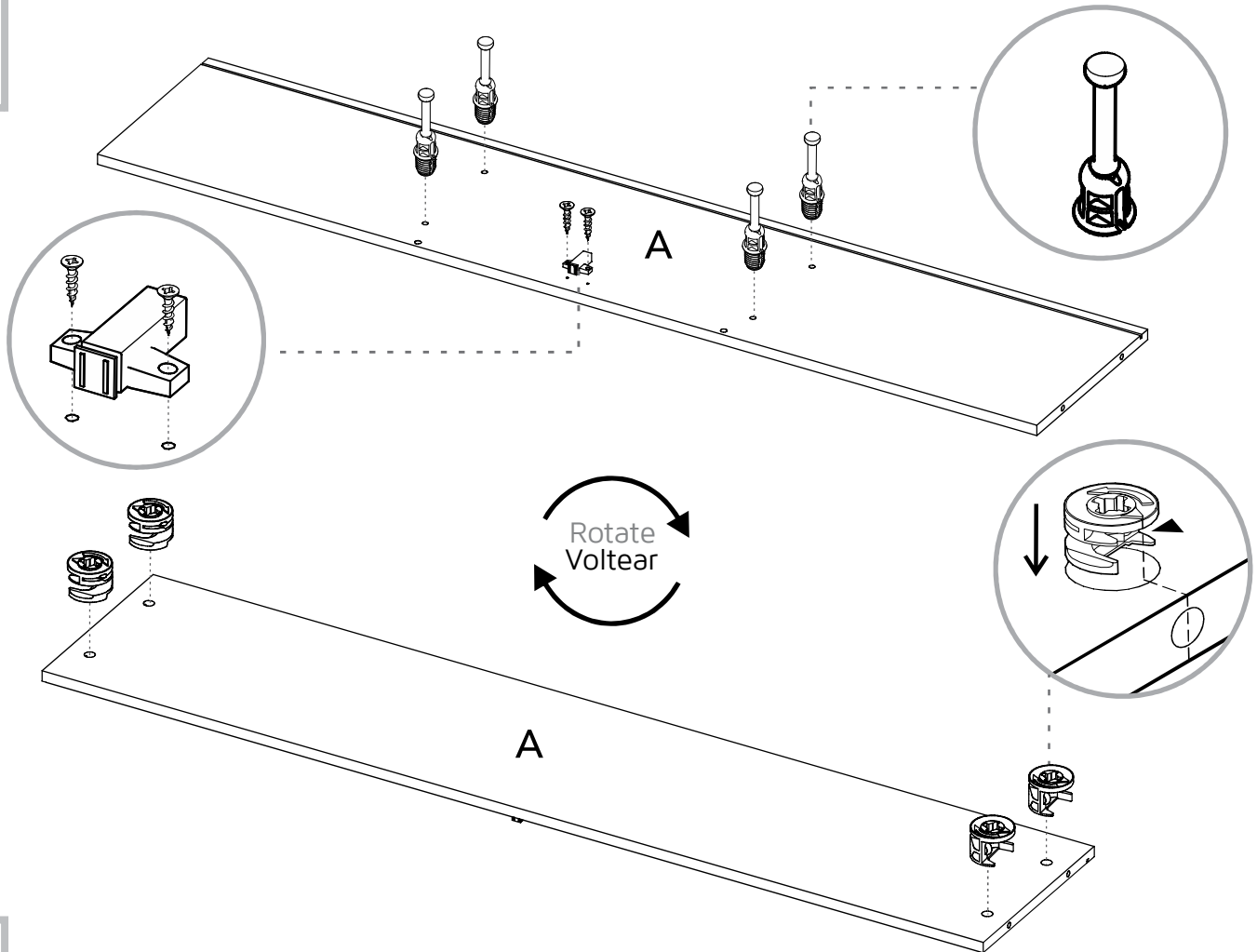
RECOMENDACIONES DE ENSAMBLE

Ensamble el mueble entre dos personas.

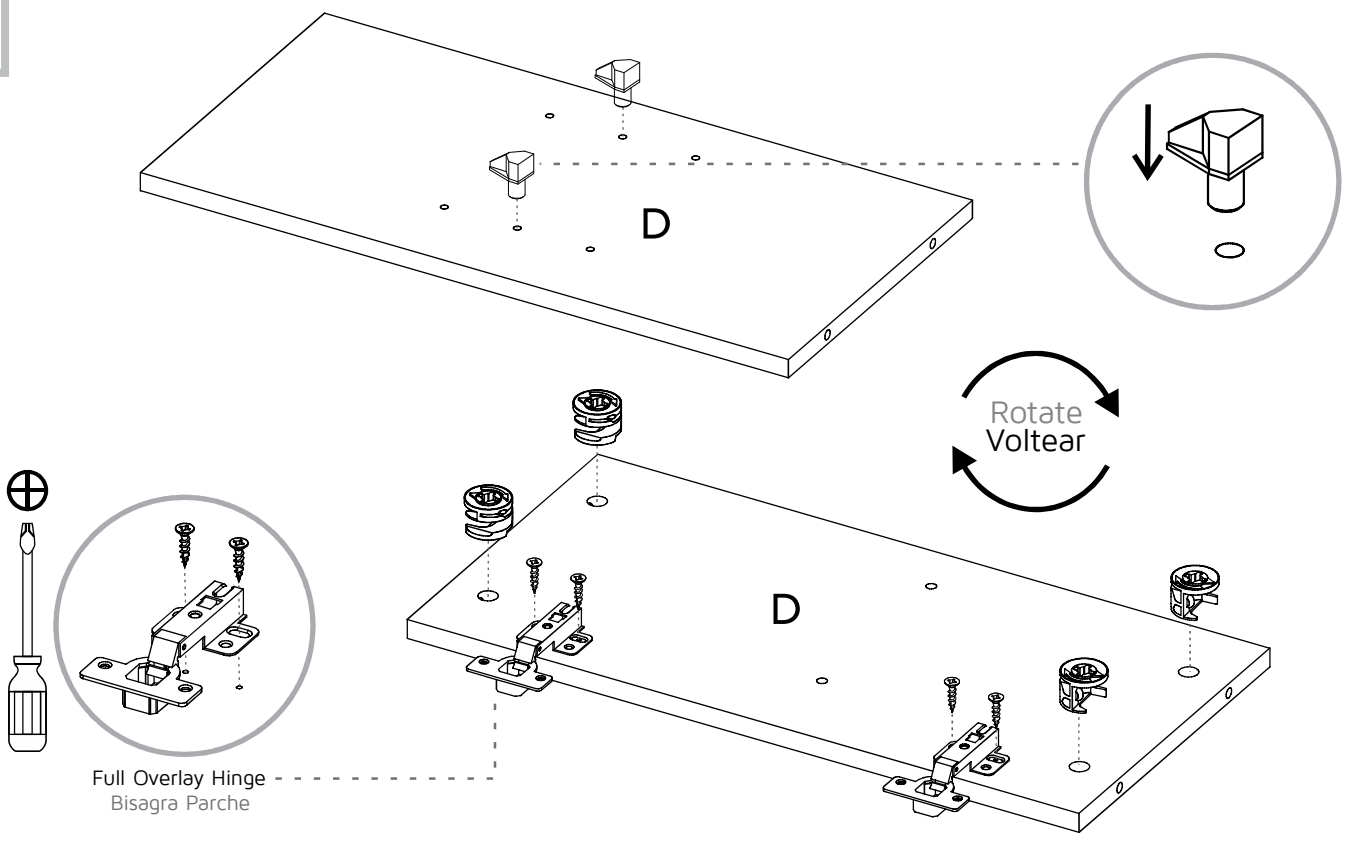
Ensamble el mueble sobre una superficie plana y lisa, preferiblemente sobre un tapete o el cartón de la caja

Lea cuidadosamente las instrucciones e identifique todas las piezas y herrajes antes de empezar a armar el mueble.

1



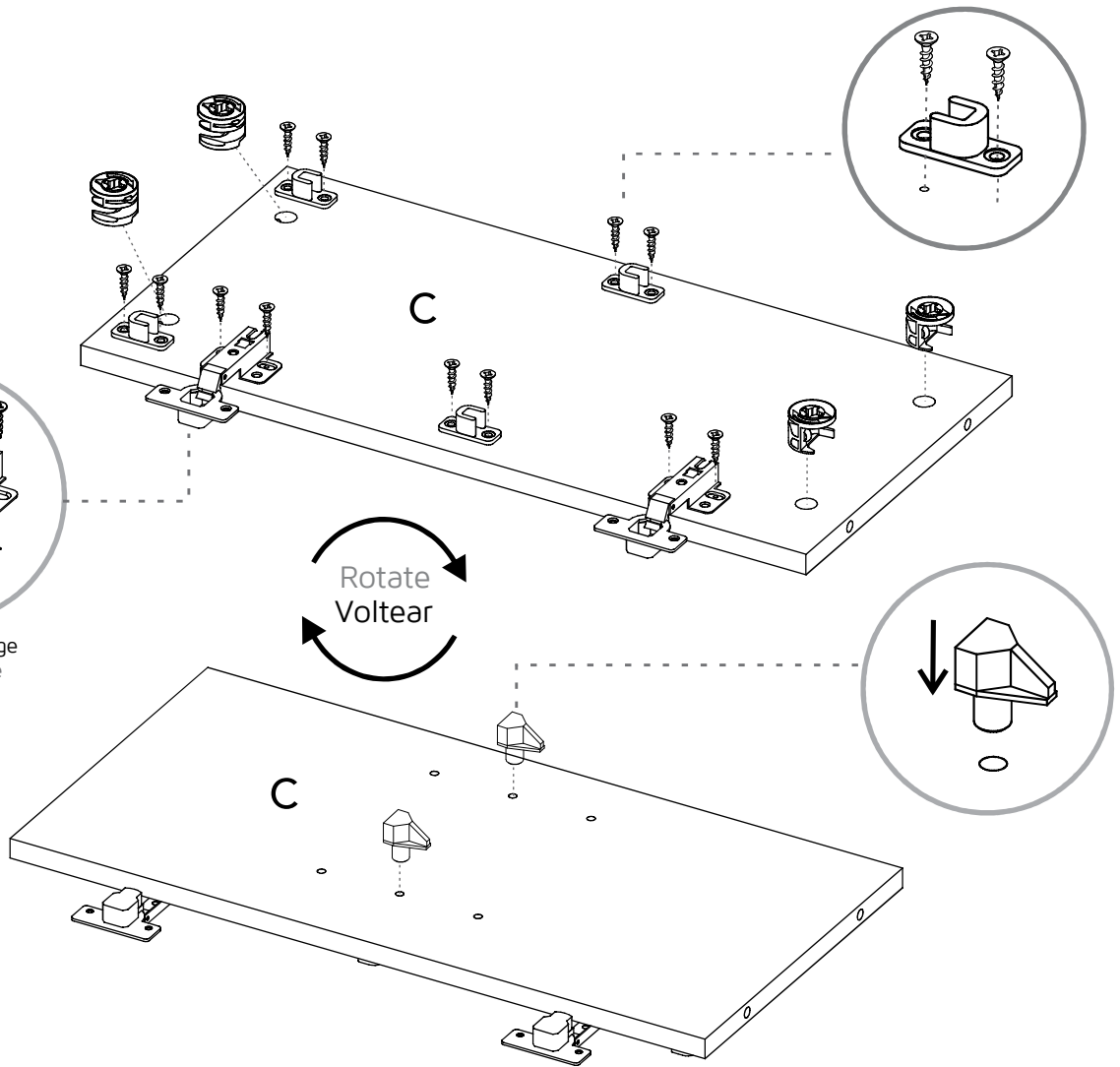
2



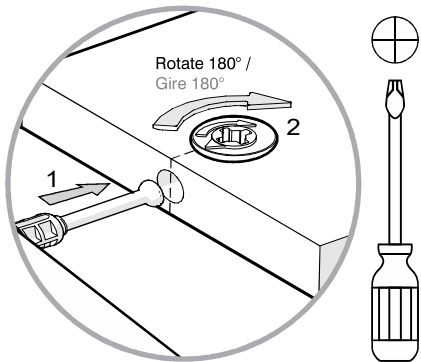
3



Full Overlay Hinge
Bisagra Parche

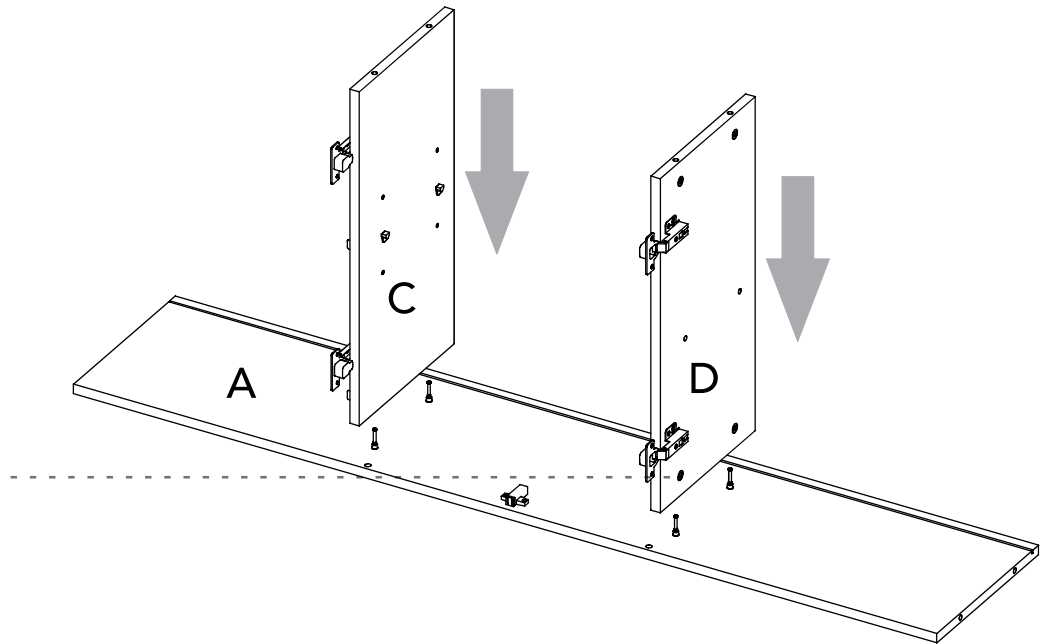


4

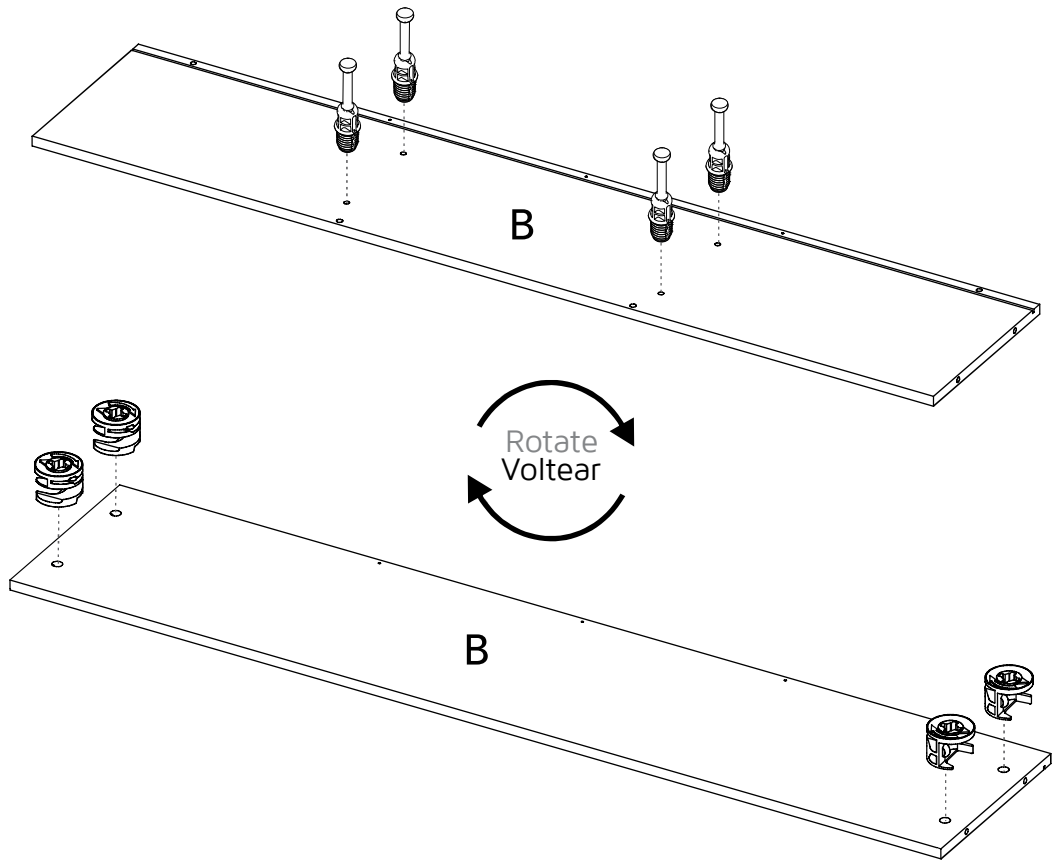


Turn minifix cams to
the right to tighten.

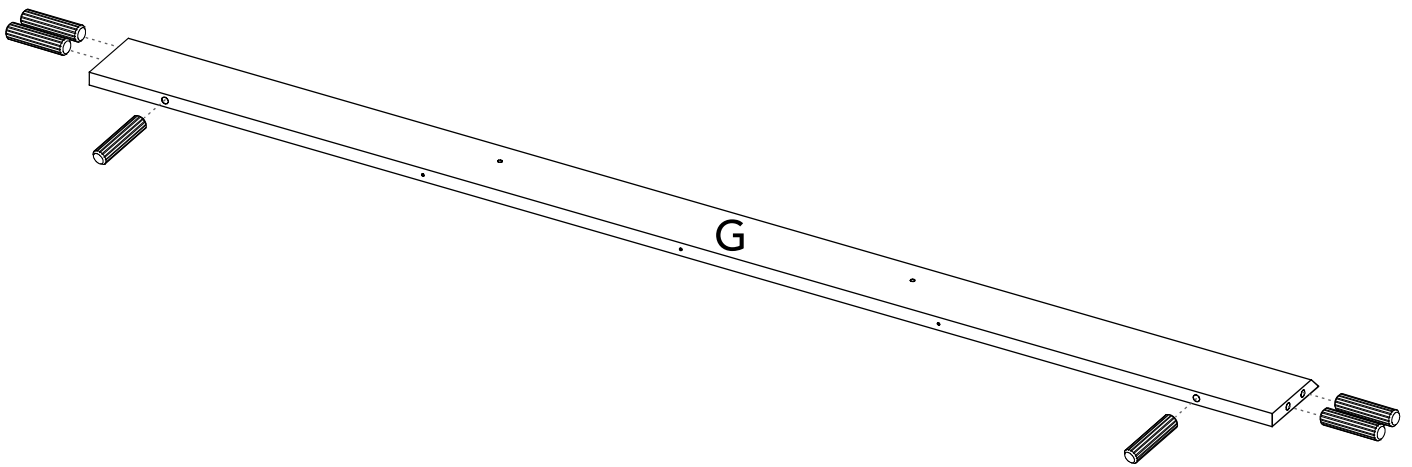
Gire las cajas minifix
hacia la derecha para
apretar las piezas.



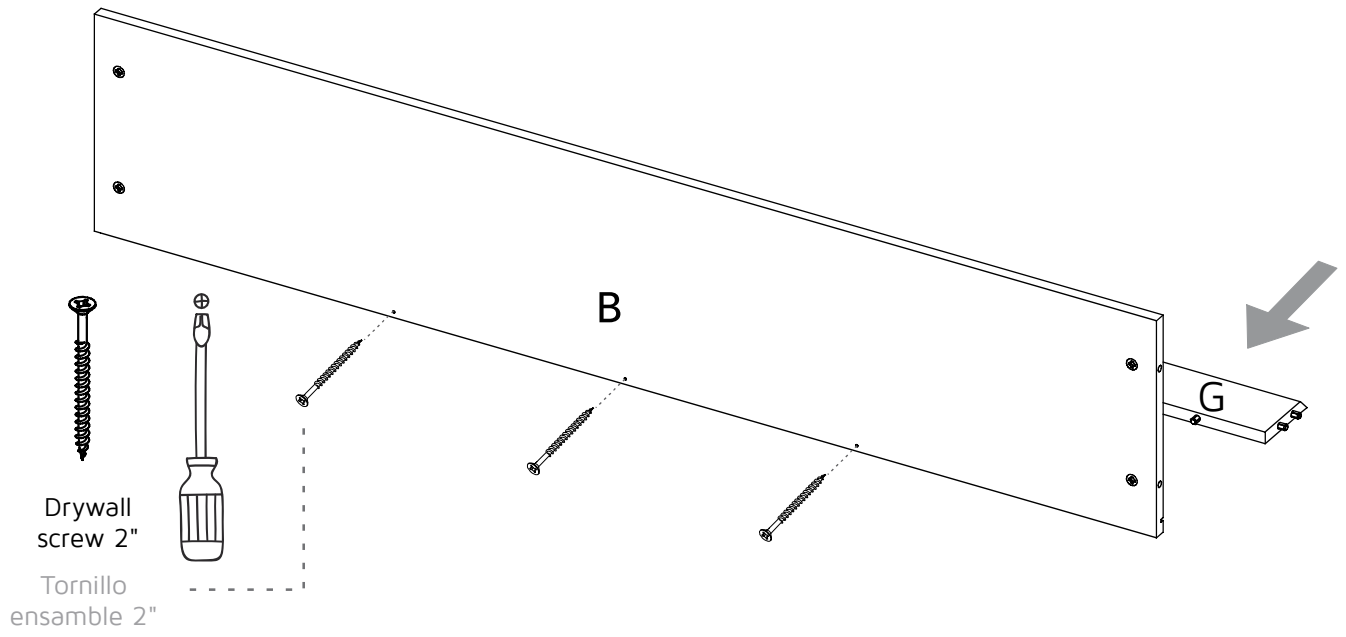
5



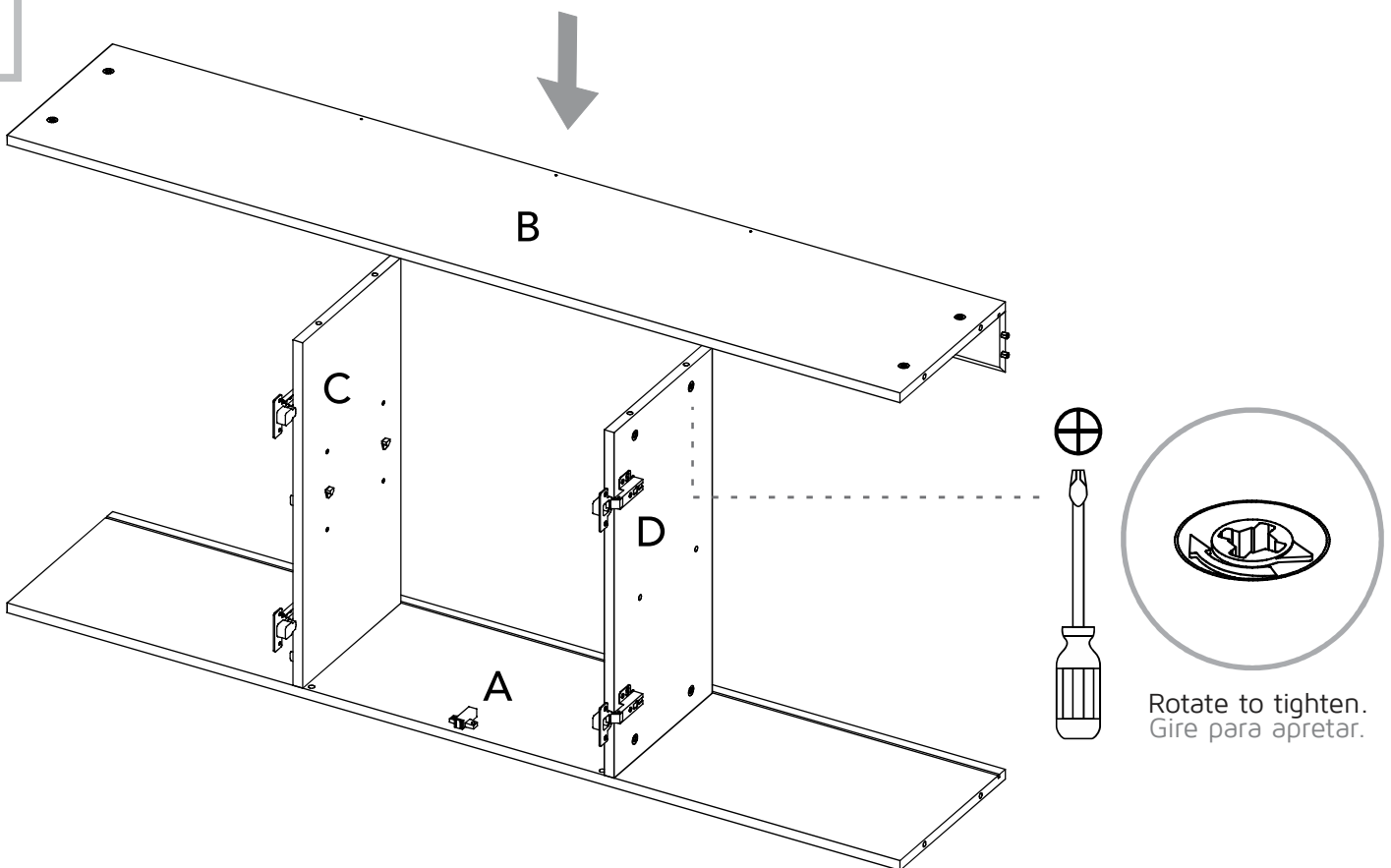
6



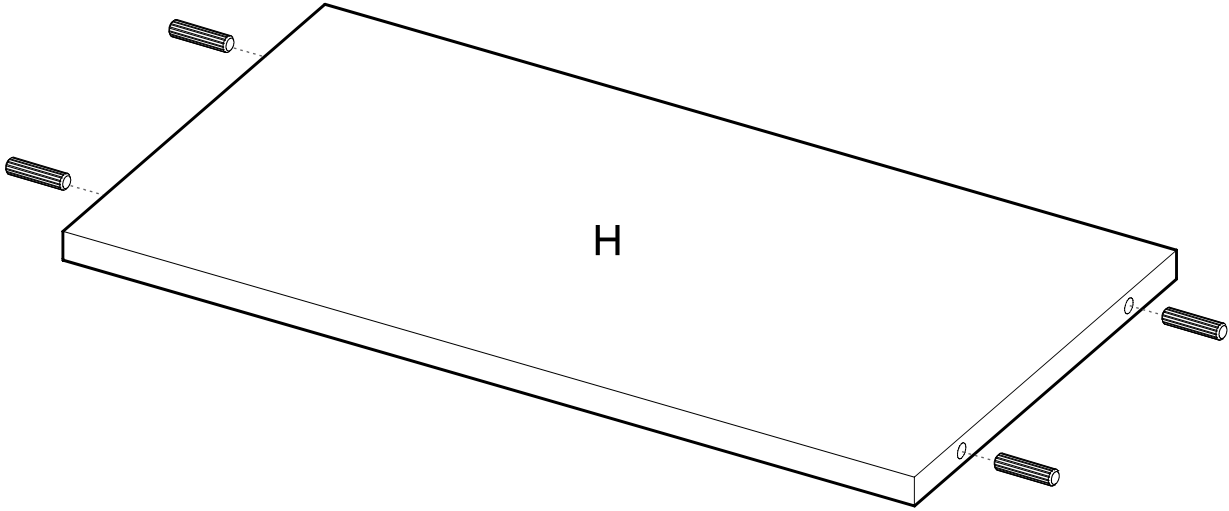
7



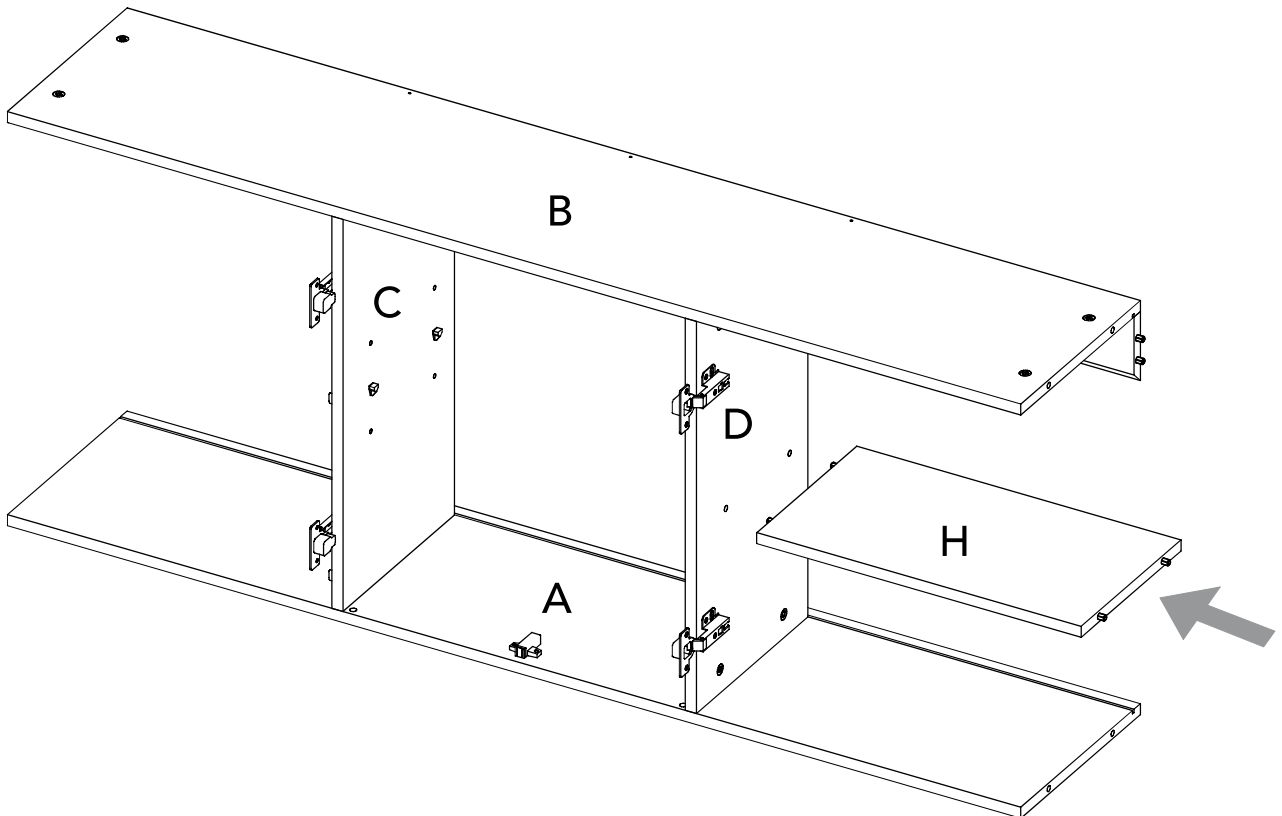
8



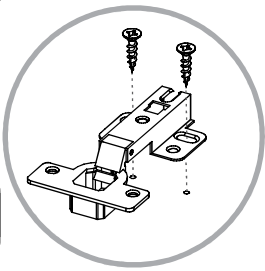
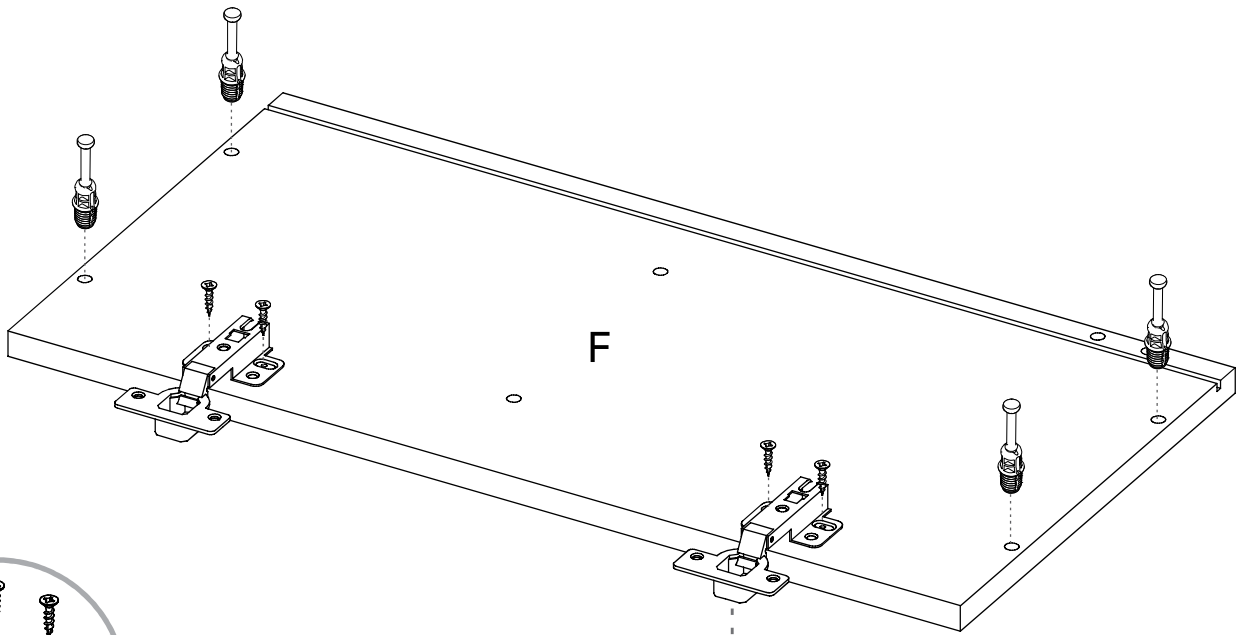
9



10

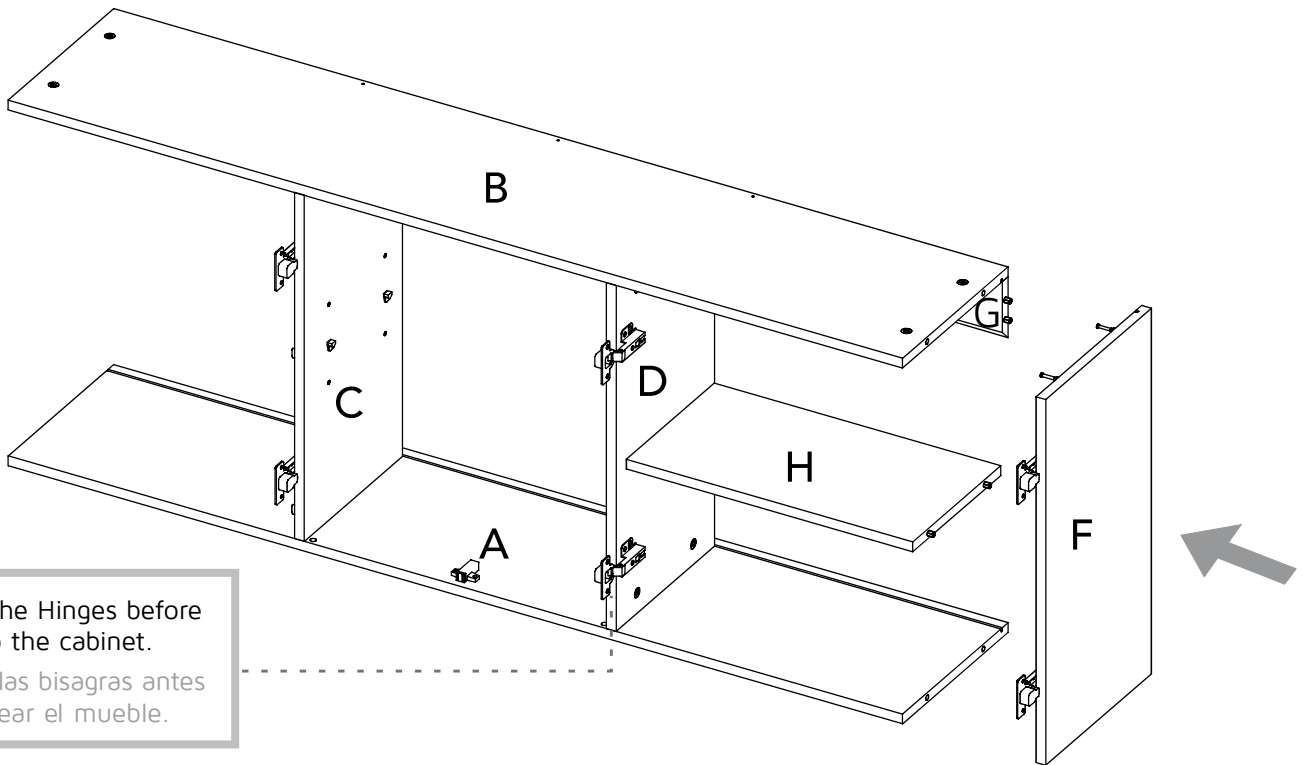


11



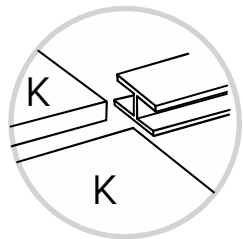
Full Overlay Hinge
Bisagra Parche

12



Close the Hinges before
flip the cabinet.
Cierra las bisagras antes
voltear el mueble.

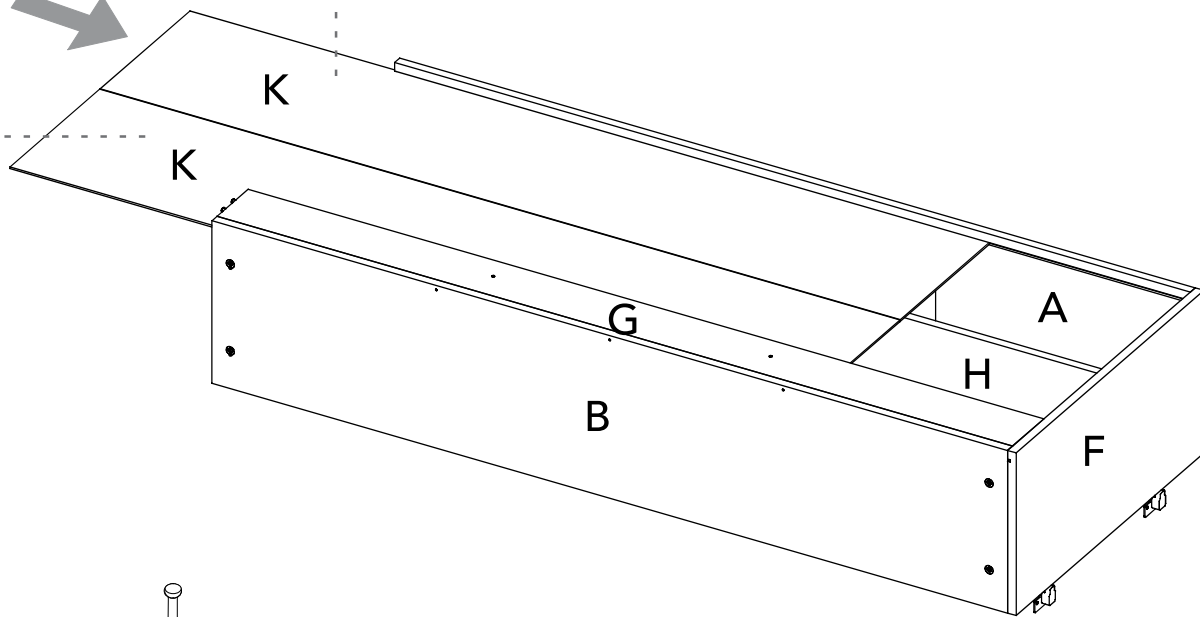
13



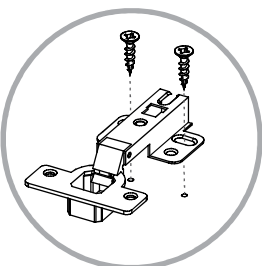
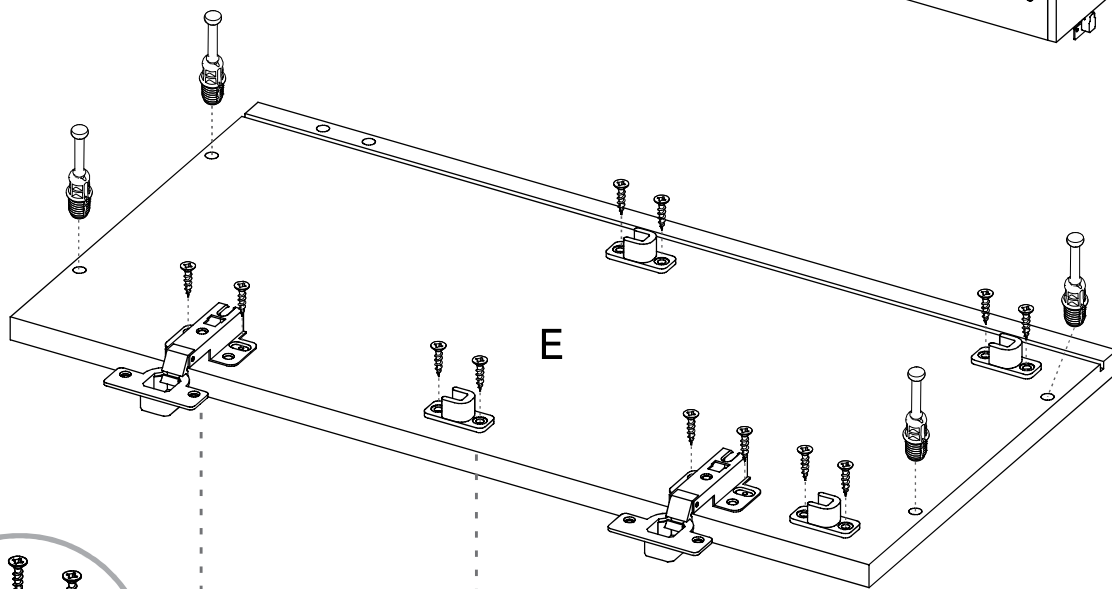
Guide profile
Perfil en H



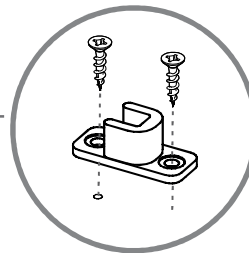
Slide the back panels
inside the cabinet.
Deslice los fondos
dentro del mueble.



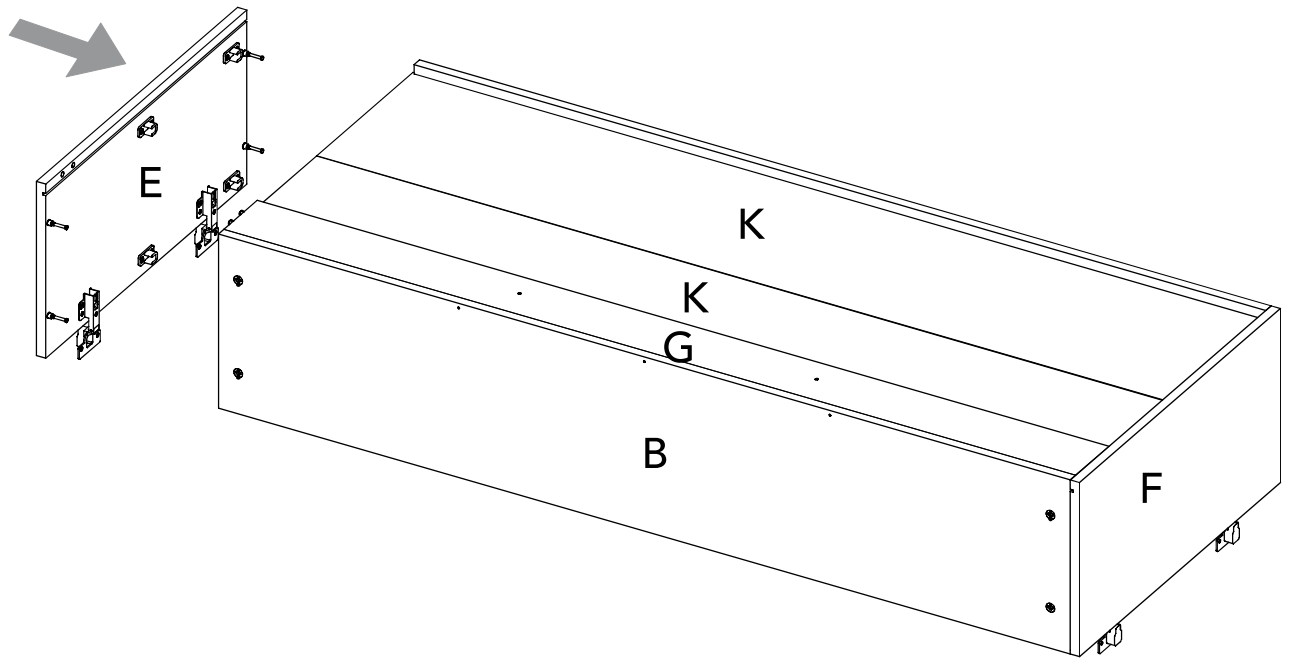
14



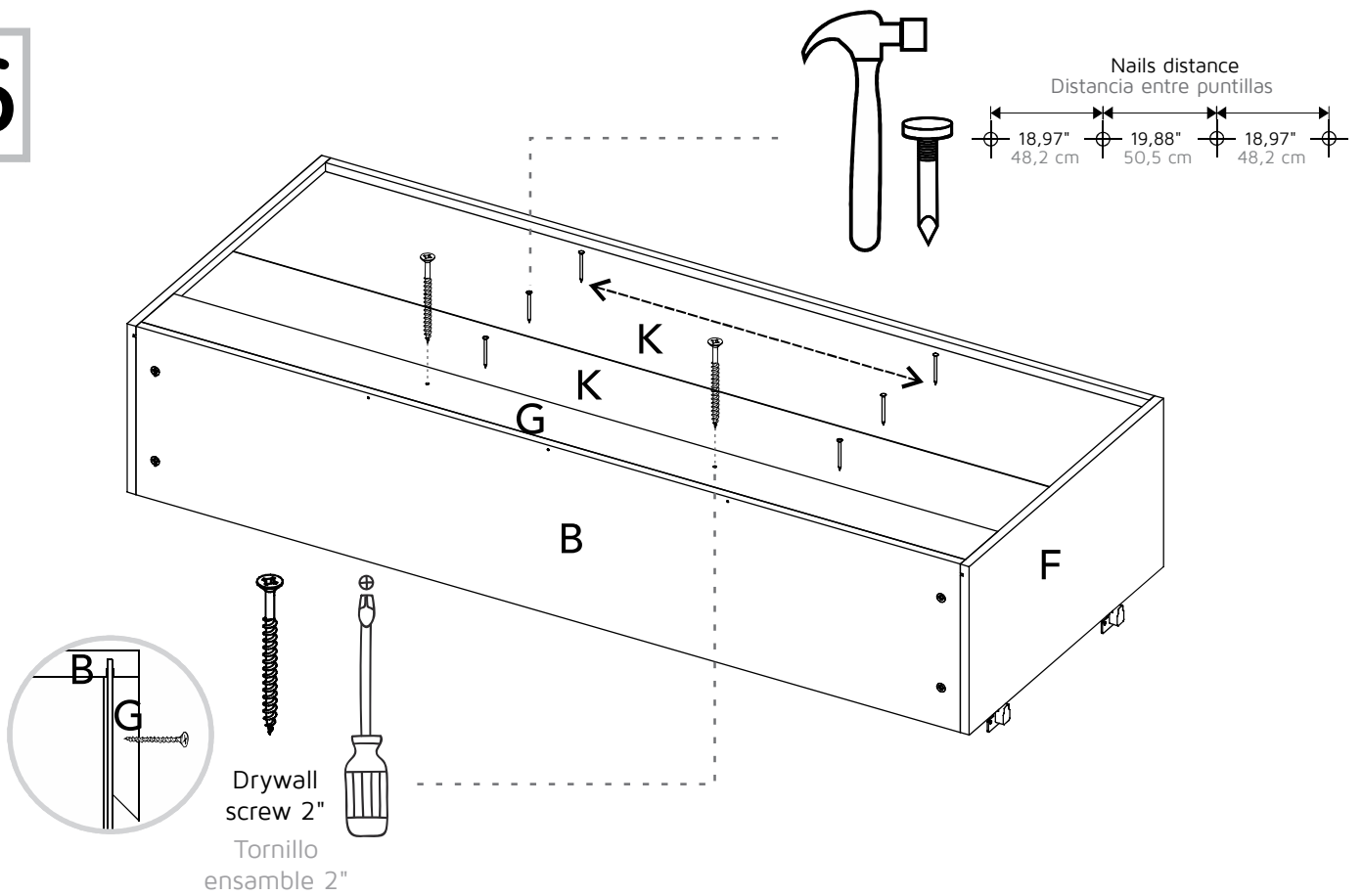
Full Overlay Hinge
Bisagra Parche



15

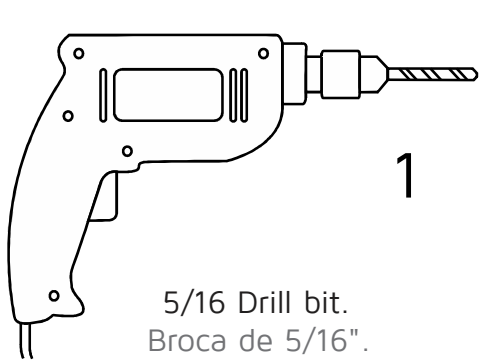


16

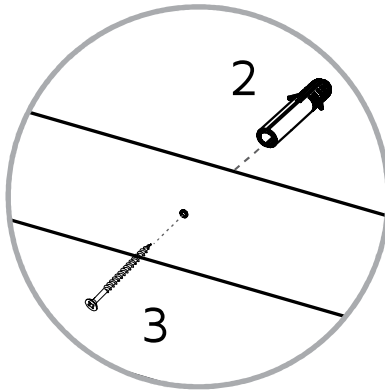


17

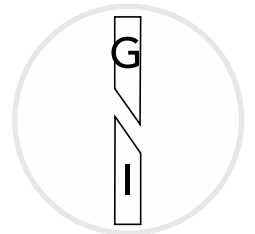
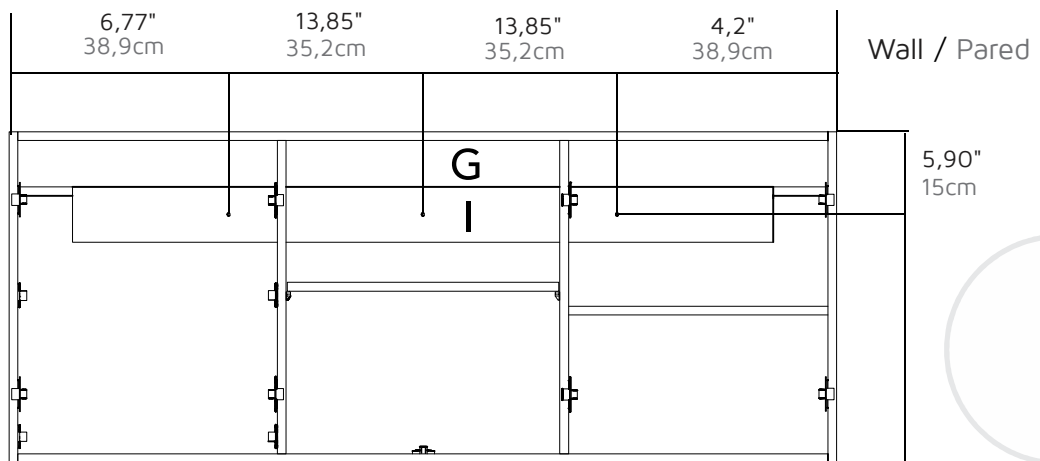
Instalación del mueble a la pared Fixing the cabinet to the wall



5/16 Drill bit.
Broca de 5/16".



*Inches / Centímetros



23,62"
60cm

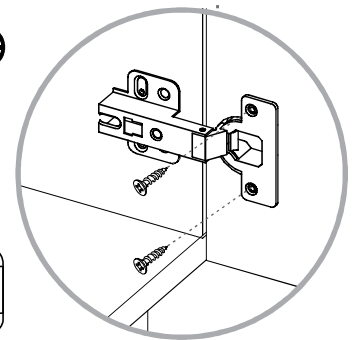
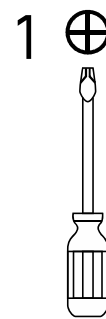
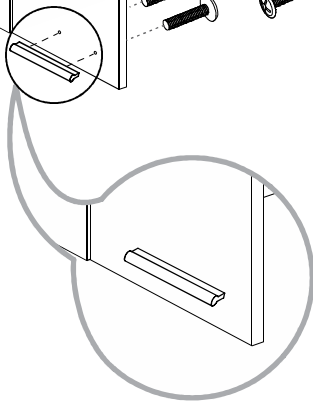
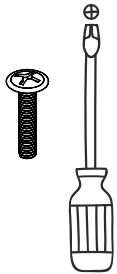
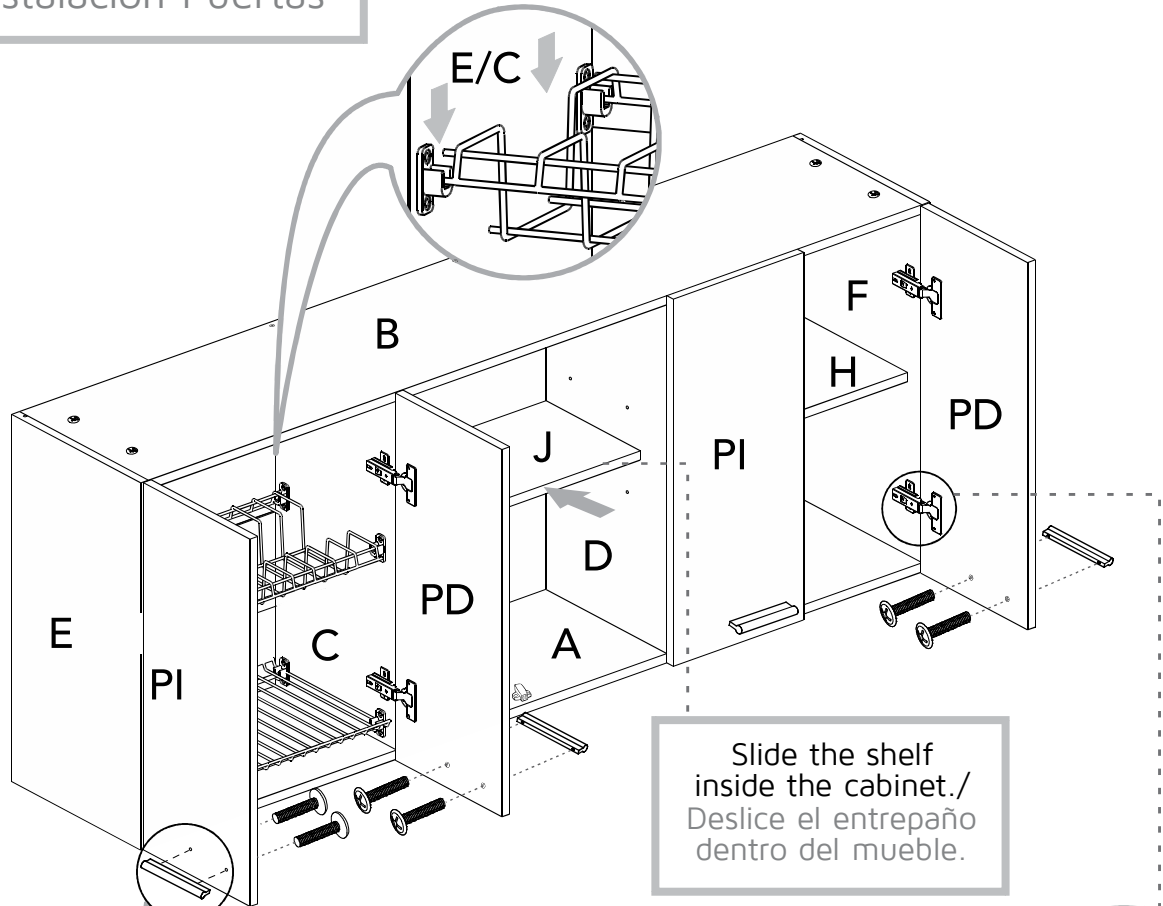
* Suggested distance
to the base cabinet.
* Distancia sugerida al
mueble inferior.

78,747"
200cm

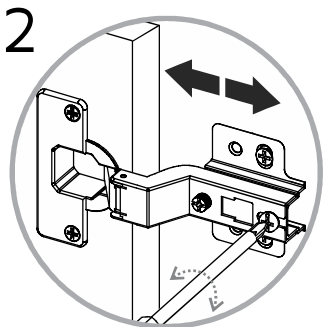
finished floor / Piso terminado

18

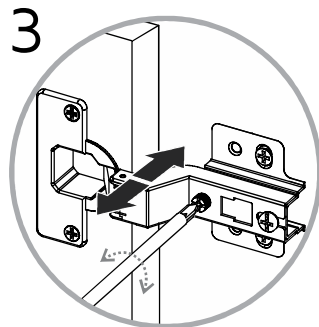
Doors Installation Instalación Puertas



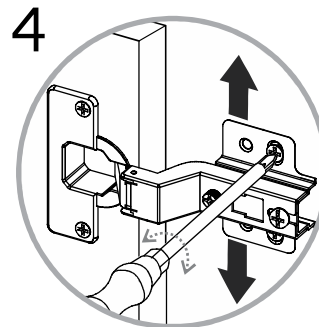
Hinge adjustment
Ajuste de las bisagras



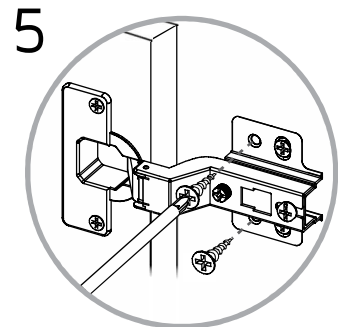
Depth adjustment
Ajuste de Profundidad



side adjustment
Ajuste lateral

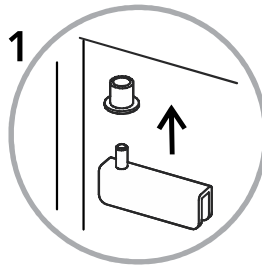
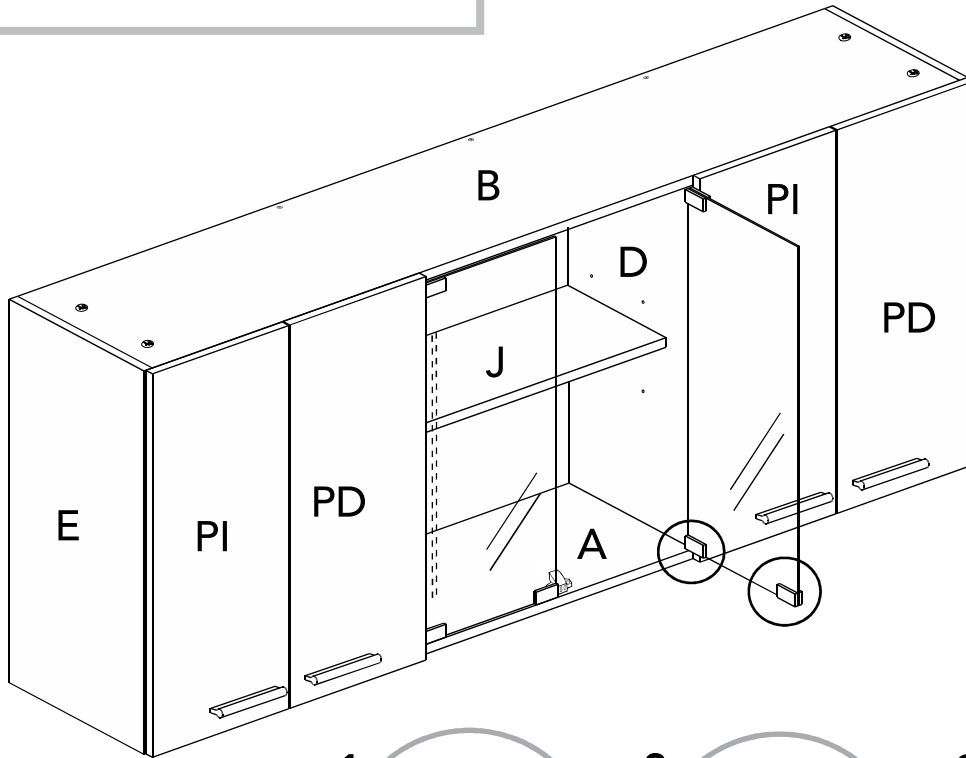


Height adjustment
Ajuste de altura

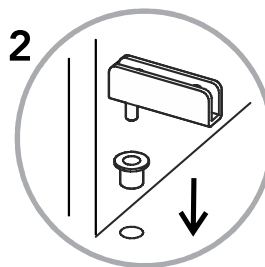


19

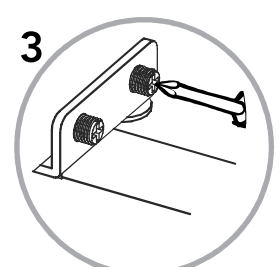
Glass Door Installation Instalación Puerta de Vidrio



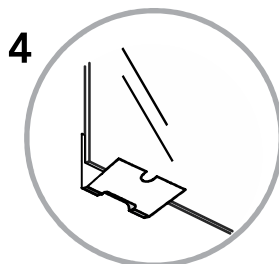
1
Insert glass door
and tighten
Insertar puerta
de vidrio y apretar



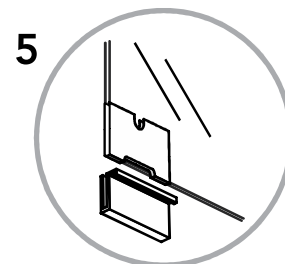
2
Insert pivot
and upper
glass door hinge
Insertar pivote
y bisagra vidrio
superior



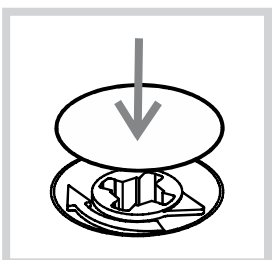
3
Insert pivot
and lower glass
door hinge
Insertar pivote y
bisagra vidrio
inferior



4
Stick Tape
Pegar cinta

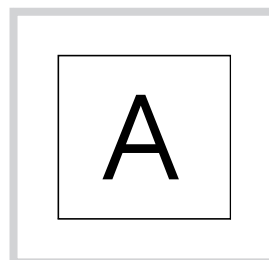


5
Insert Handle
Insertar manija



After you finish the adjustment
of the cams, cover them with
the cover caps.

Después de ajustar todas las
cajas minifix, cúbralas con las
tapas adhesivas.



After you finish assembling the
cabinet, take off the adhesive
letters.

Al terminar de armar, desprenda
las letras adhesivas.

WARRANTY POLICY

PÓLIZA DE GARANTÍA

Furniture has a 3 year warranty coverage in wooden parts and 1 year warranty coverage in hardware pieces since its manufacturing date, which you can see in the lot number printed on the product box and the assembly instructions leaflet.

Warranty covers materials and workmanship imperfections which impair the assembly or correct functioning of the cabinet.

This warranty is not valid if the defects or imperfections are caused by the incorrect following of the assembly instructions, warnings and recommendations, misuse, intentional damage, fire or flood, or after modifications or any kind of alteration, or repaired by someone not authorized, when it's been assembled 3 months after the date of purchase. These defects MUST be reported before the warranty coverage period ends. Once the product has been assembled, the company will not be responsible for defective and/or damaged parts.

This warranty is ONLY valid for the ORIGINAL PURCHASER, it doesn't apply if the product has been resold, rented, etc.

Furniture will take no liability for incidental or consequential damages caused to or by the product (This may not apply in your state).

To make this warranty valid you must write to our customer service email describing the product defect, lot number and submitting your sales receipt or proof of purchase, or contact us at our customer service line. Replaced parts will be under the product's original warranty coverage period. Damaged parts will become property of the company.

There are no other warranties applicable to this product.

**IF ANY PARTS ARE BROKEN OR
MISSING PLEASE CONTACT US**
AT: 1-888-391-01-66 /
customerservicetuhome@rta.com.co
**OUR CUSTOMER SERVICE TEAM WILL PROVIDE
YOU HELP TO RESOLVE ANY ISSUES IMMEDIATELY**