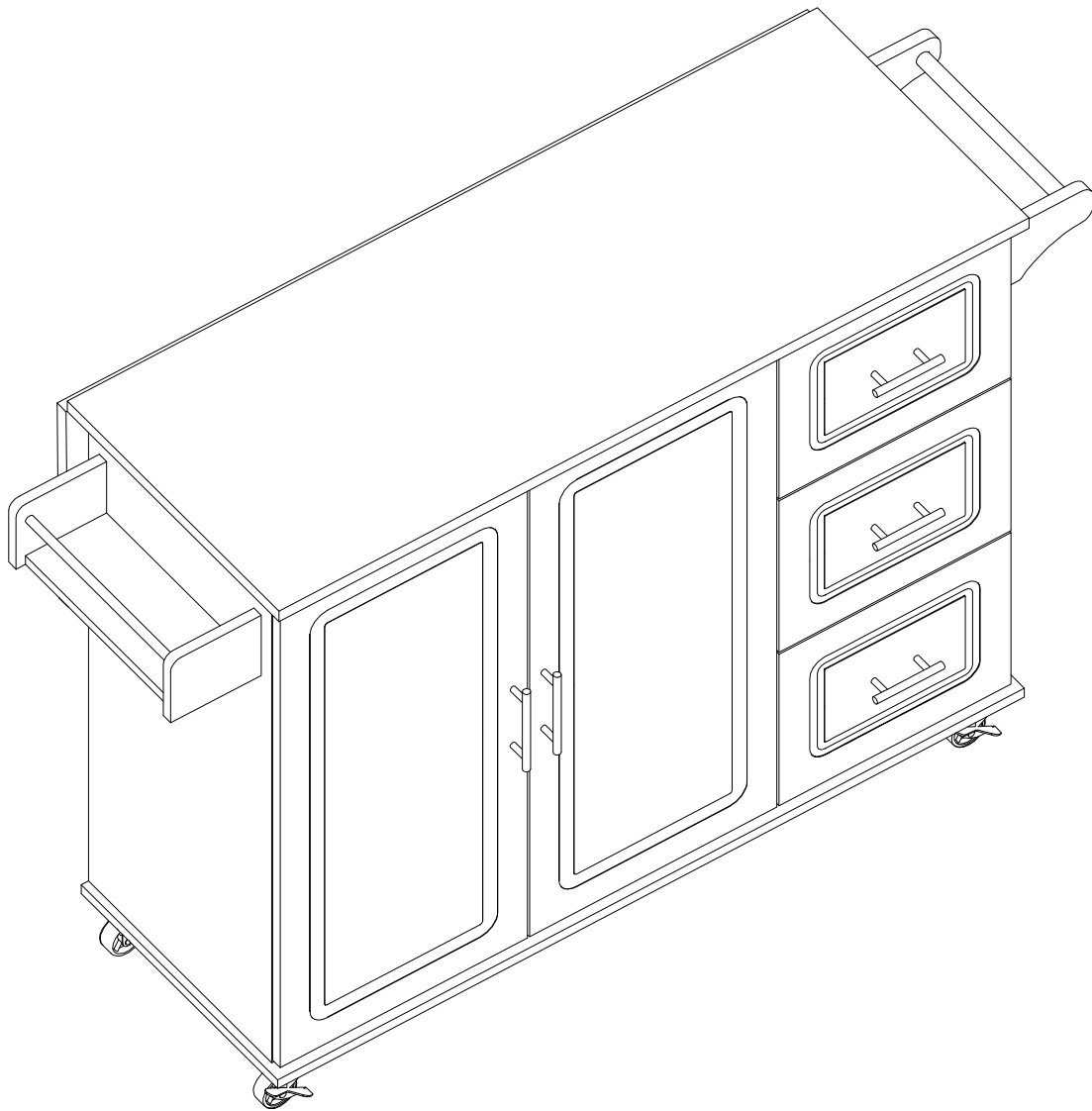


KITCHEN ISLAND

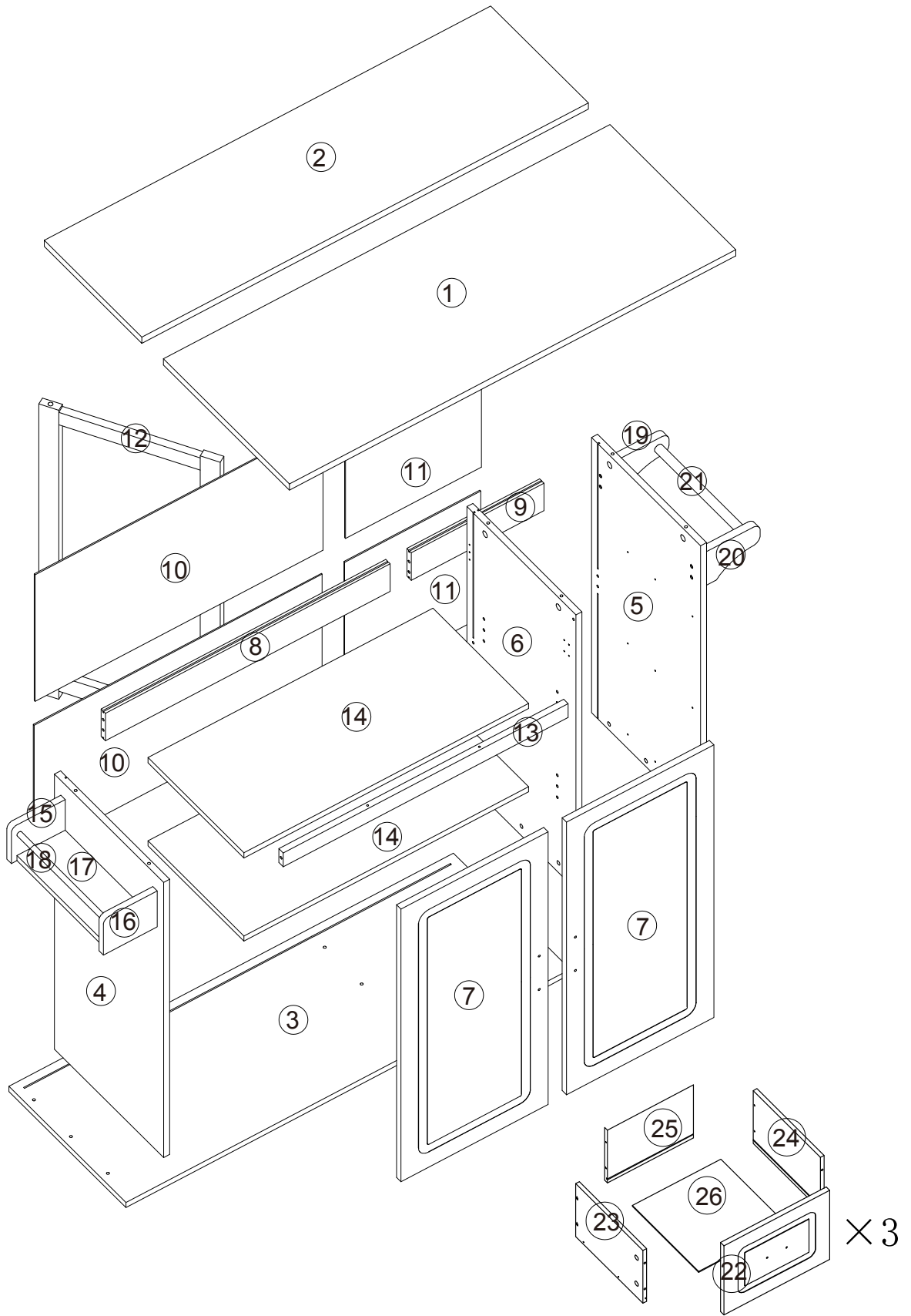
DL-DT1912W/W420S00003


DL-DT1912 B /W420S00004



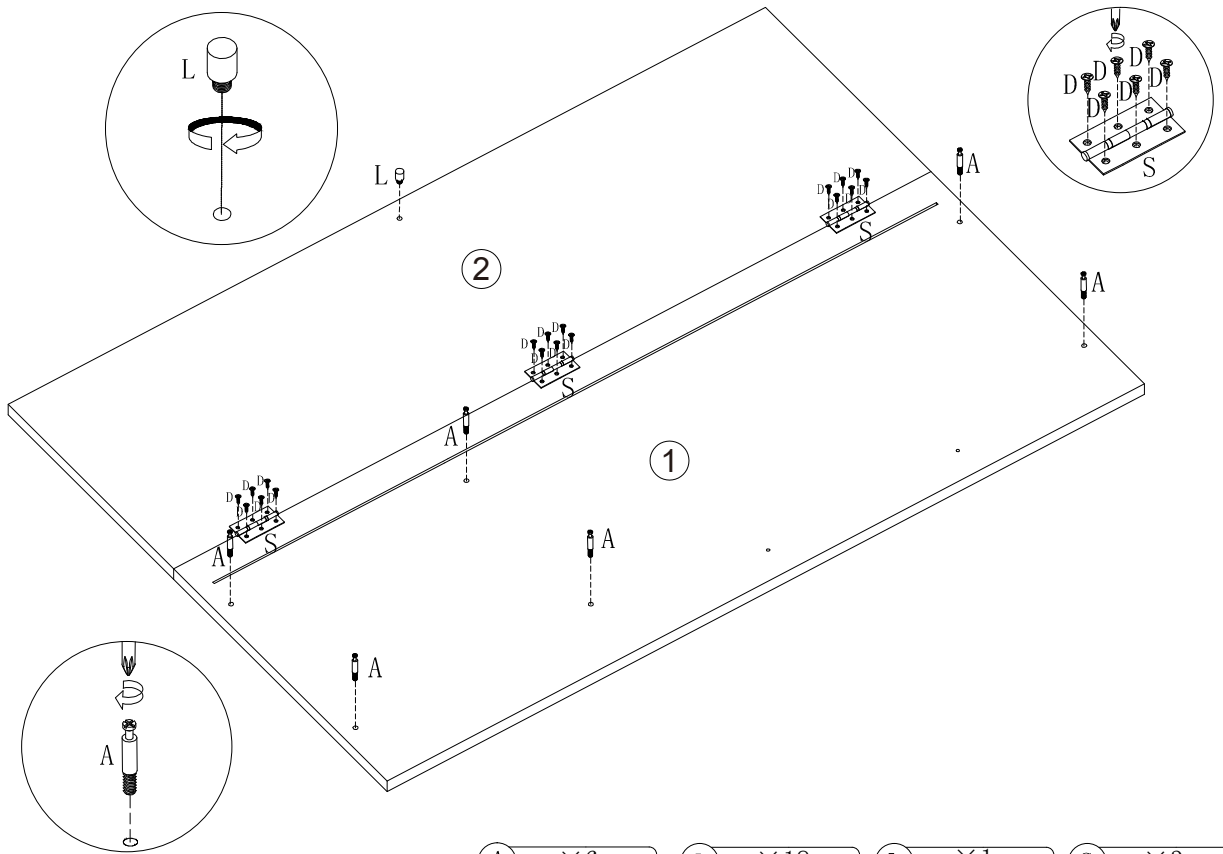
Attention please:

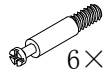



Improper use of screws may cause the product surface damage!
Please be careful when installing.



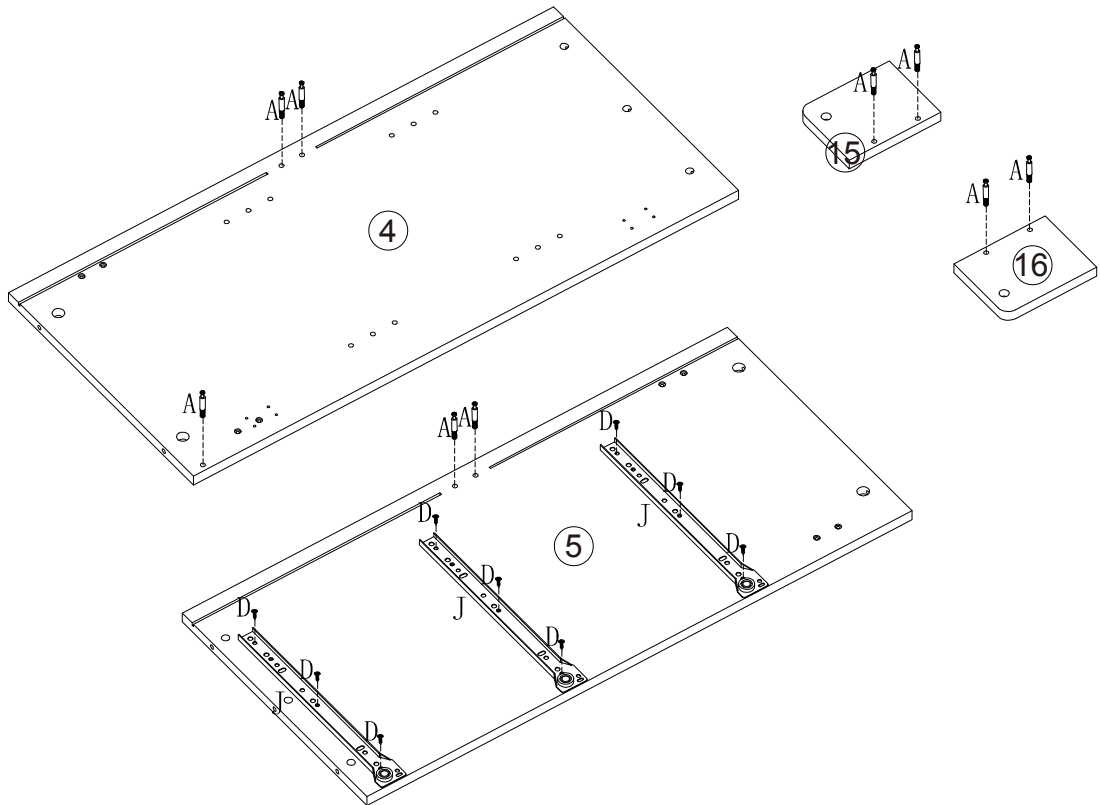
A		6×35mm	×32	N		×2
B		15×10mm	×32	O		×3
C		6×30mm	×6	P		×3
D		3×12mm	×84	Q		×2
E		3×14mm	×16	R		×1
F			×16	S		×5
G		4×35mm	×24	T		10×10mm ×9
H		4×12mm	×20	U		6×45mm ×9
I		30cm	×3	V		×1
J		30cm	×3	W		6×25mm ×1
K			×4	X		M4 ×1
L			×1	Y		5×20mm ×8
M		4×16mm	×10			

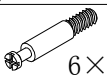

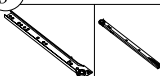
1

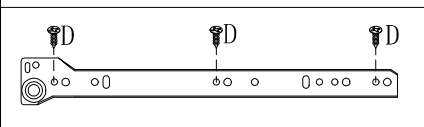


- | | | | |
|--|--|--|--|
| (A) × 6

6 × 35 | (D) × 18

3 × 12 | (L) × 1
 | (S) × 3
 |
|--|--|--|--|

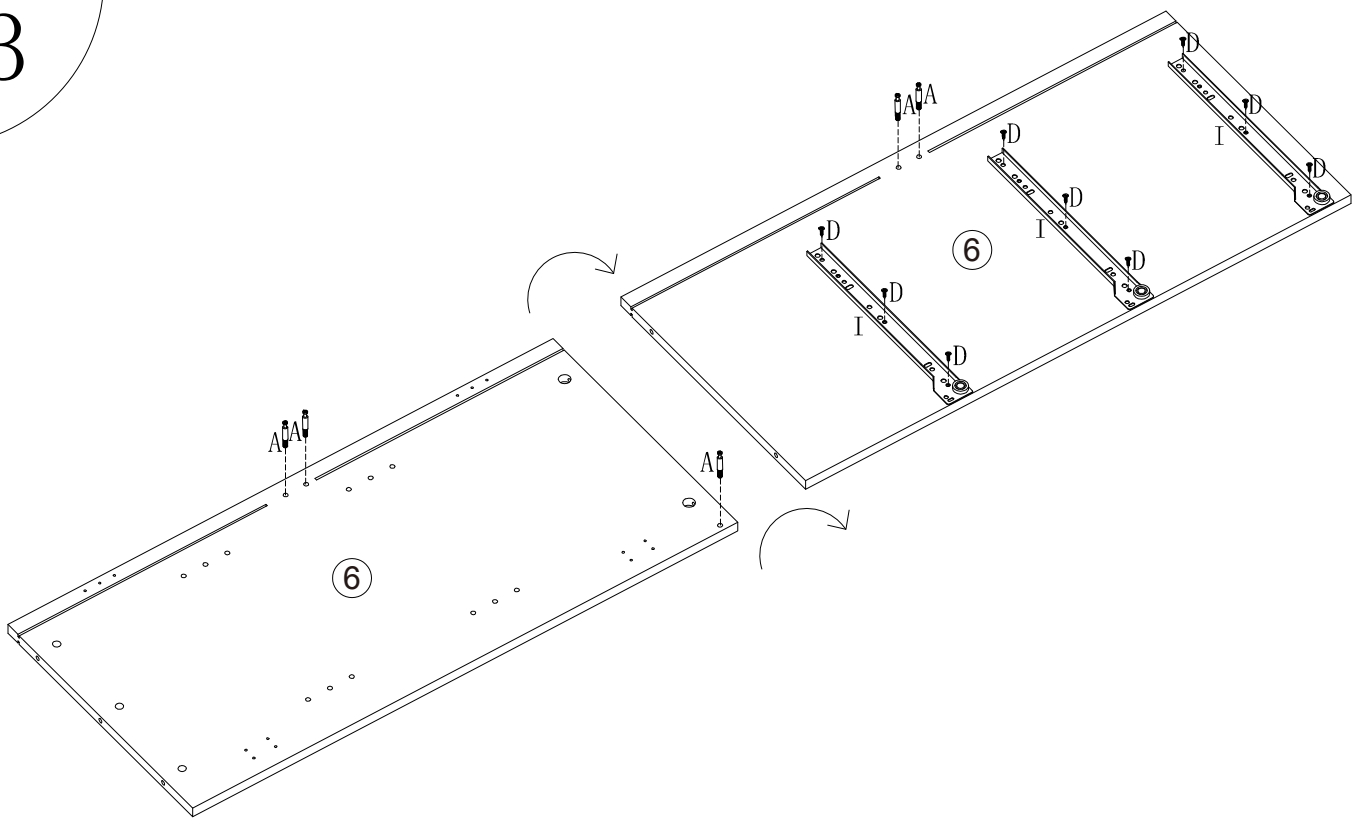
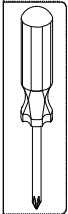
2



- | | | |
|---|--|--|
| (A) × 9

6 × 35 | (D) × 9

3 × 12 | (J) × 3
 |
|---|--|--|



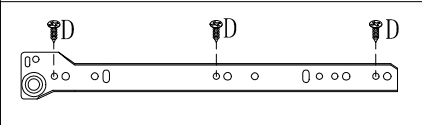
3



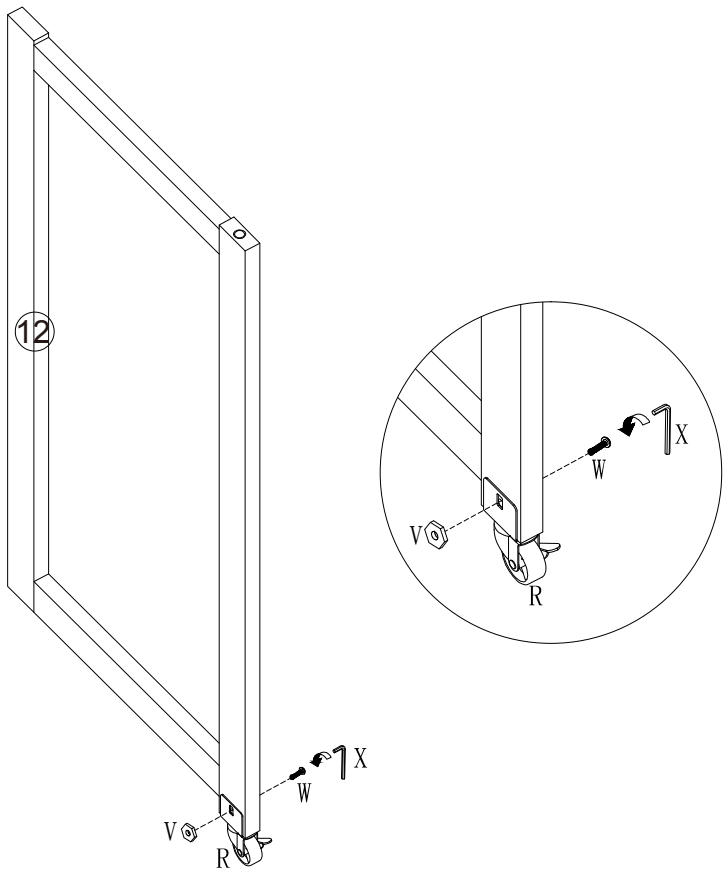
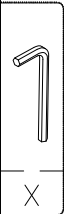
A × 5
6×35

D × 9
3×12

I × 3



4

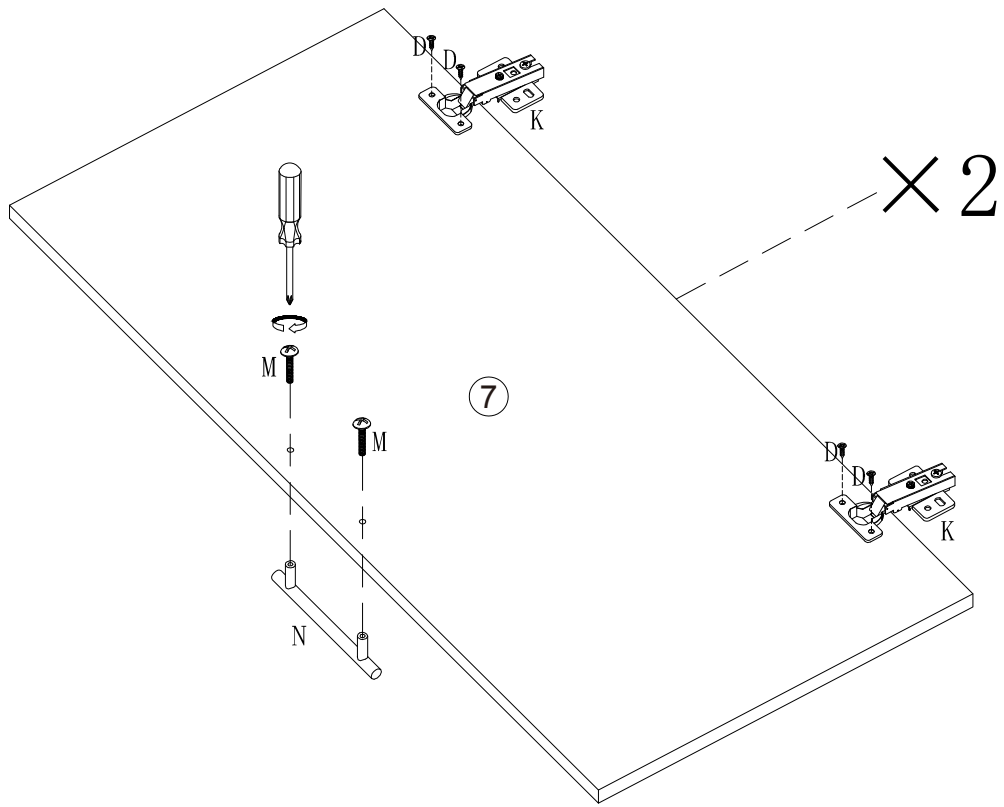


R × 1

V × 1

W × 1
6×25

5



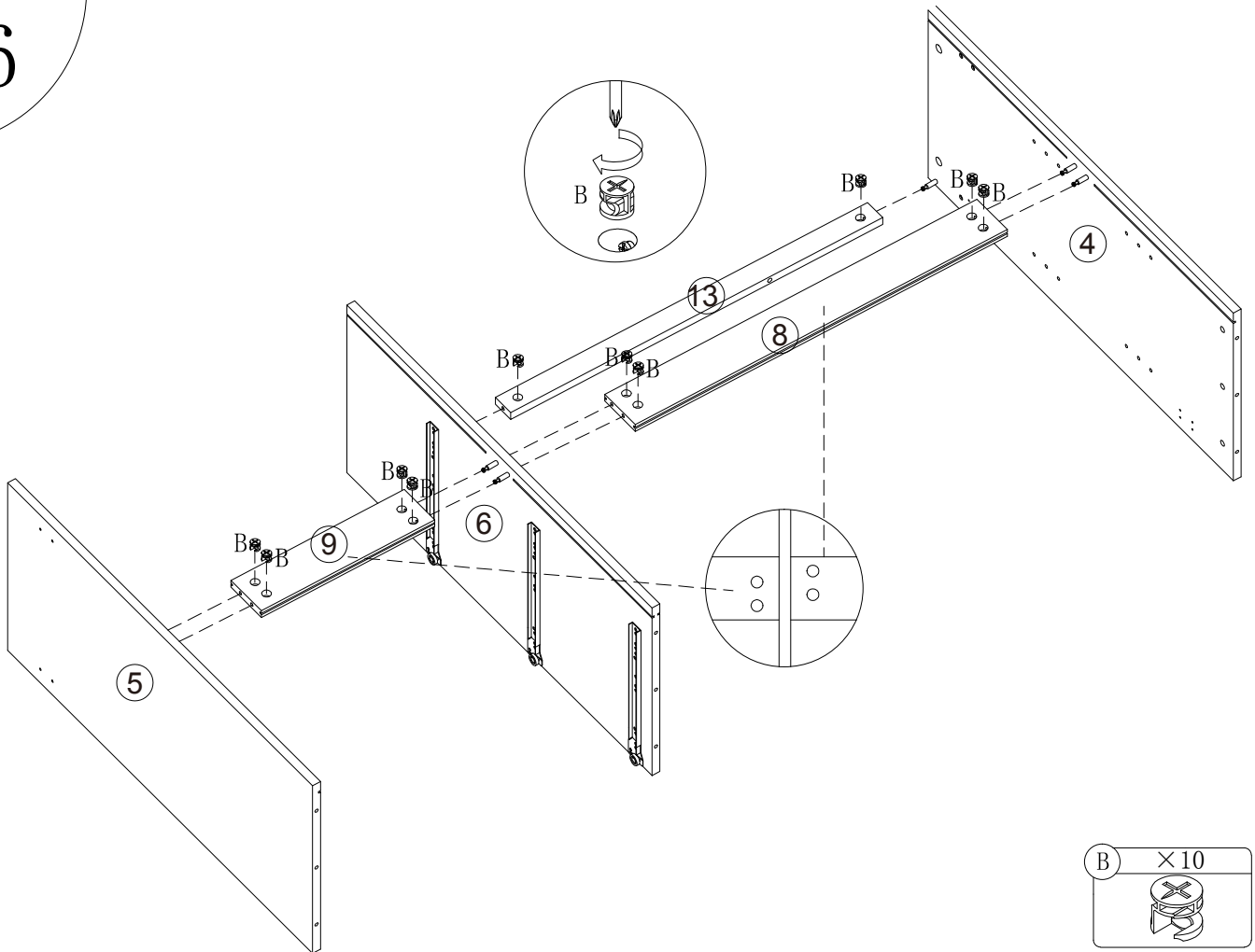
D × 8
3 × 12

K × 4

M × 4
4 × 16

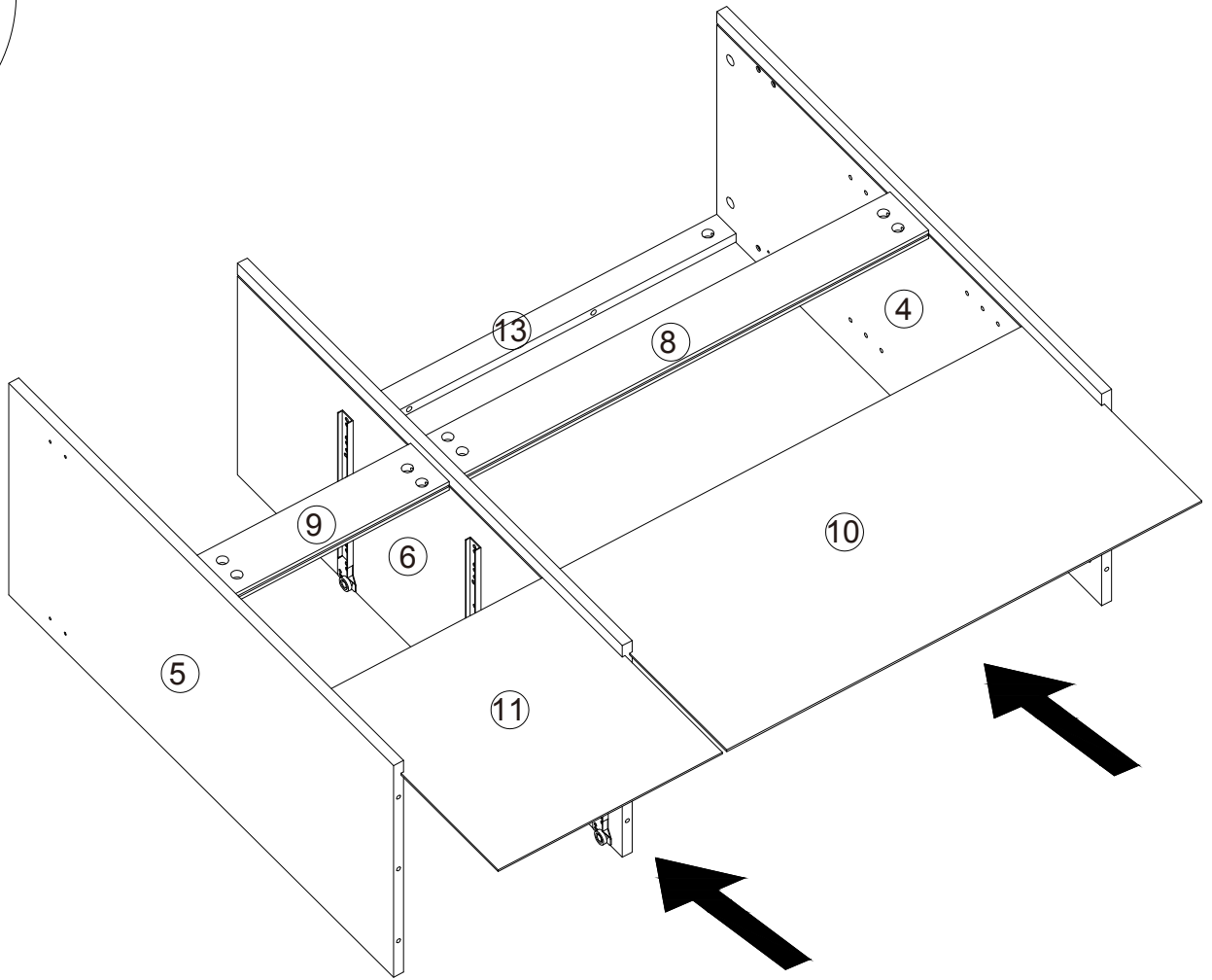
N × 2

6

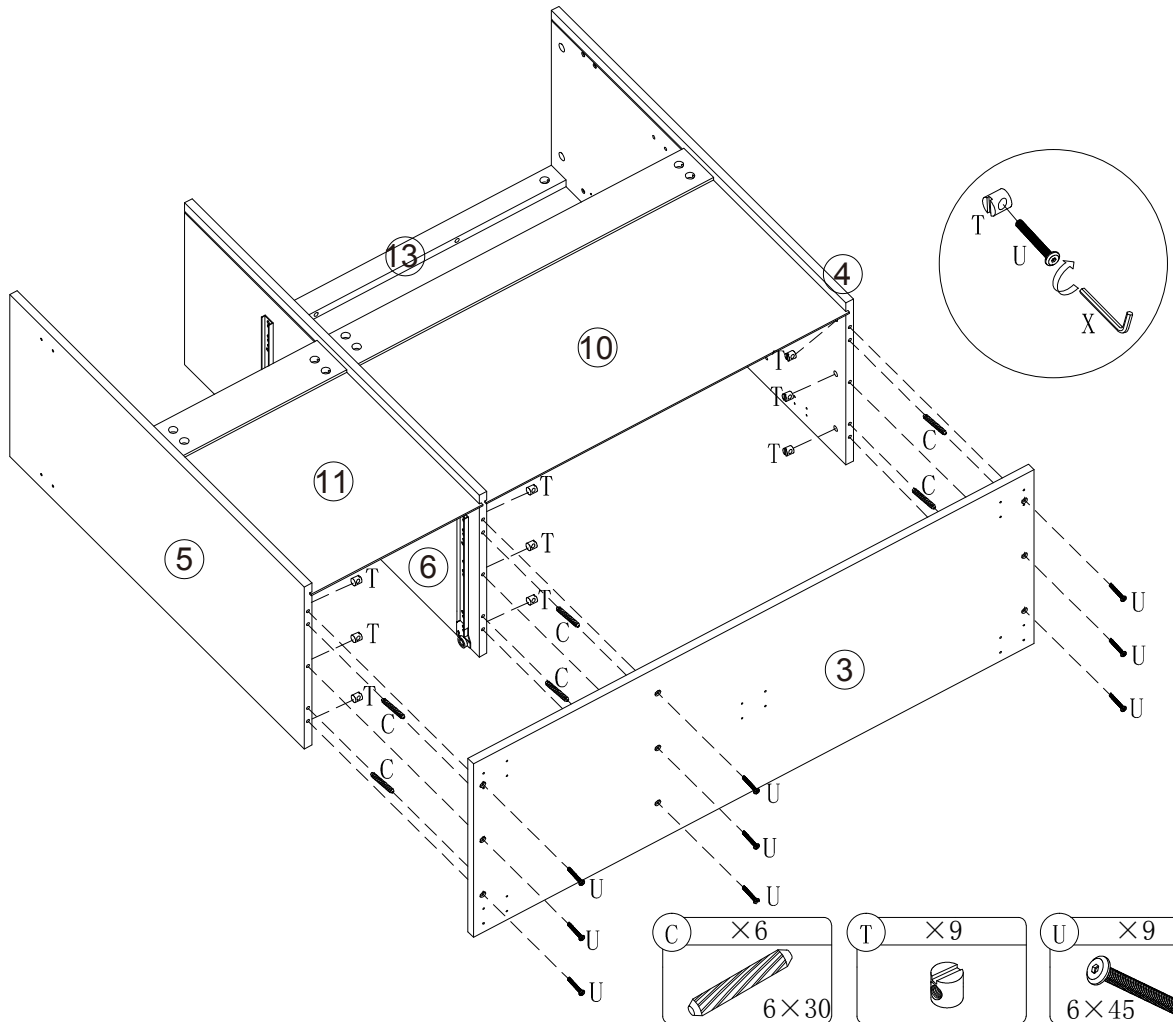


B × 10

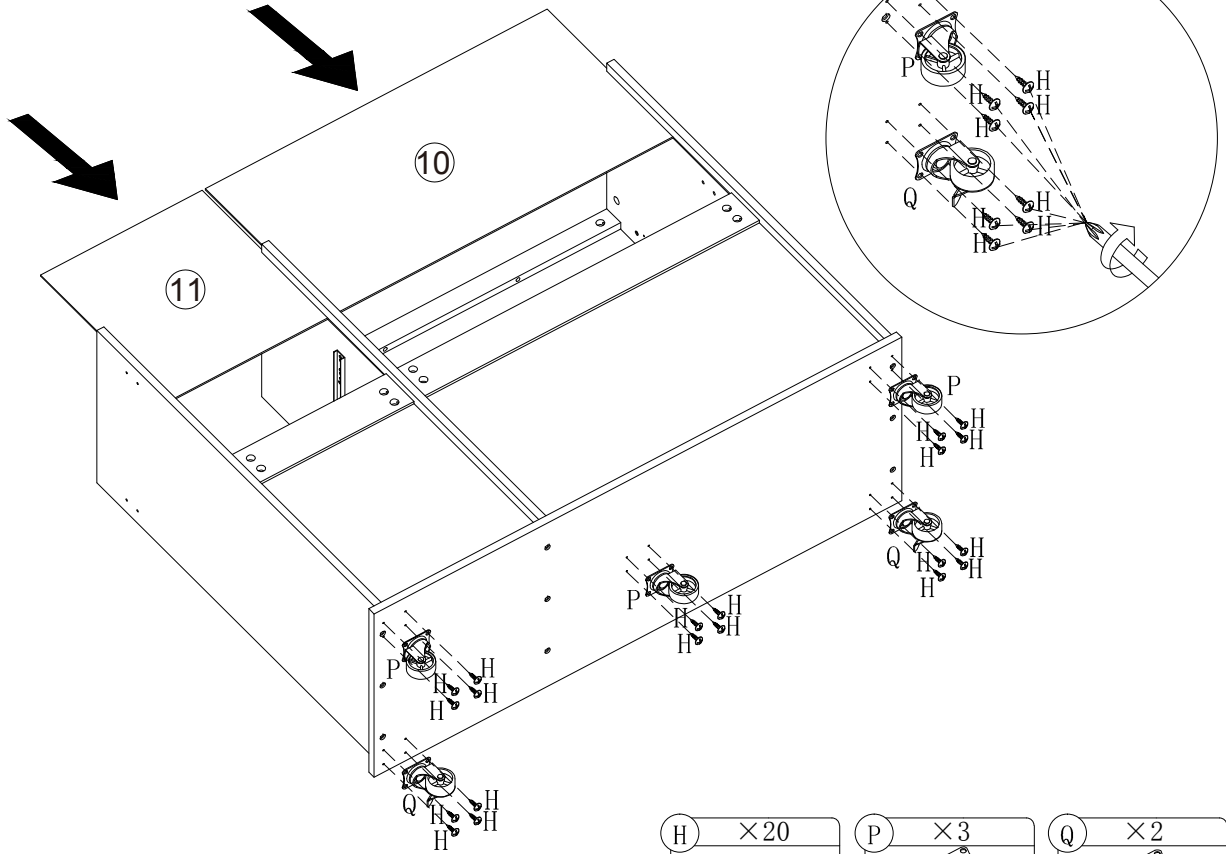
7





8




9

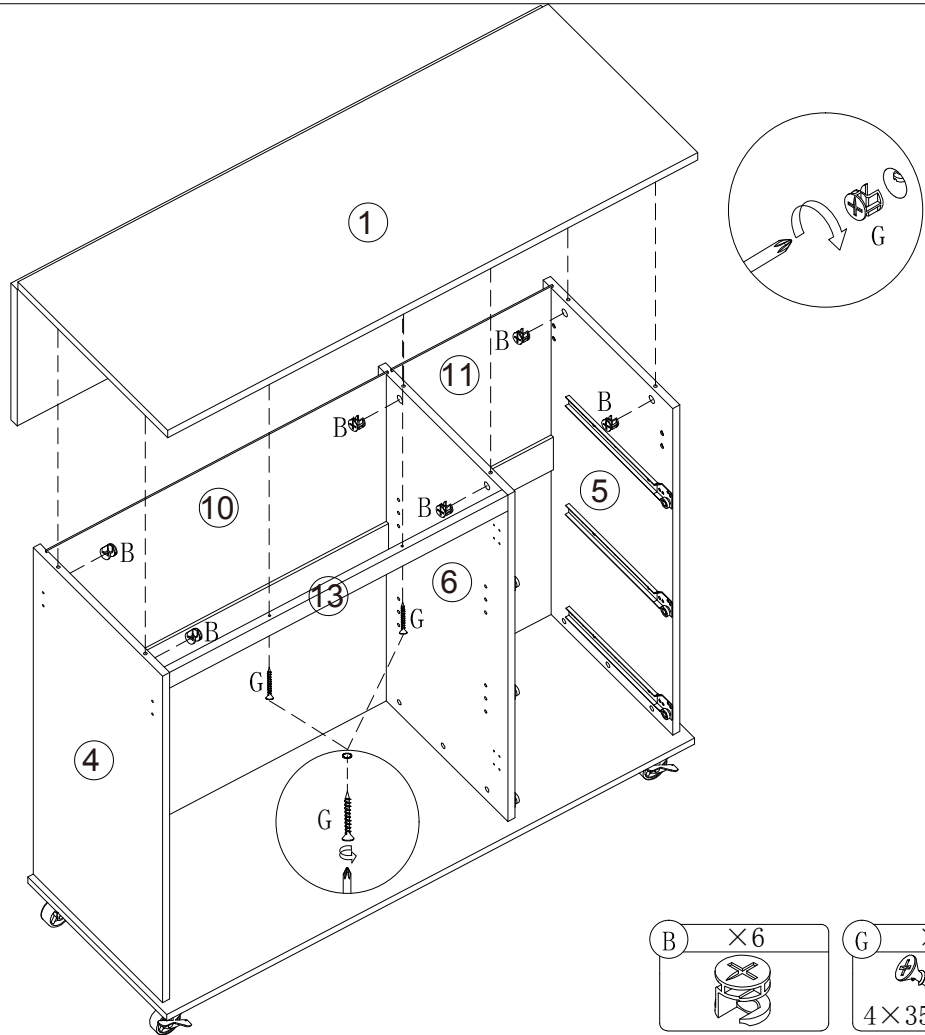



H	× 20
4 × 12 	


P	× 3
	

Q	× 2
	

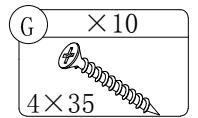
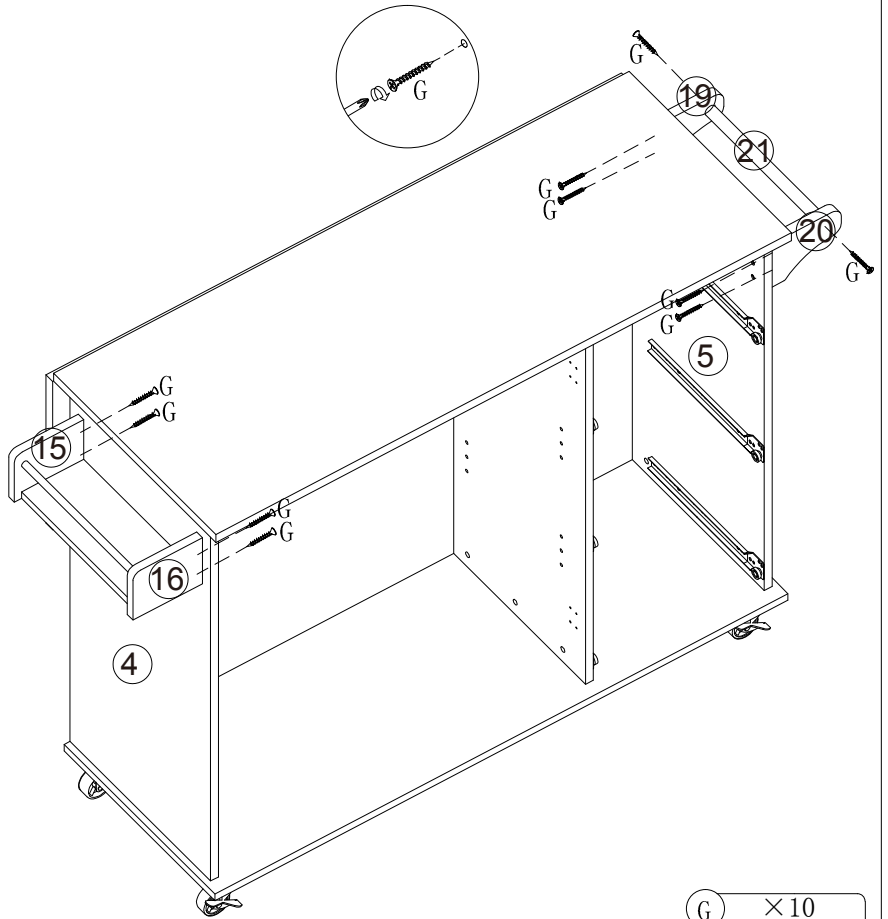
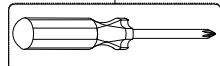
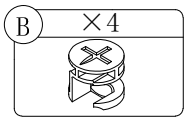
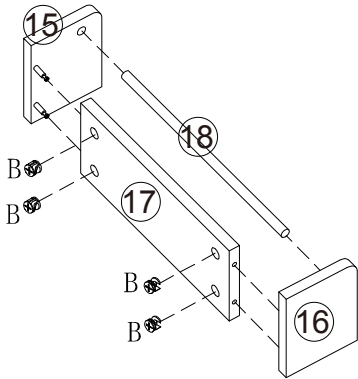
10



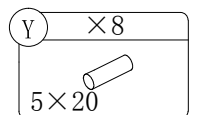
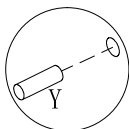
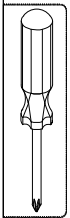
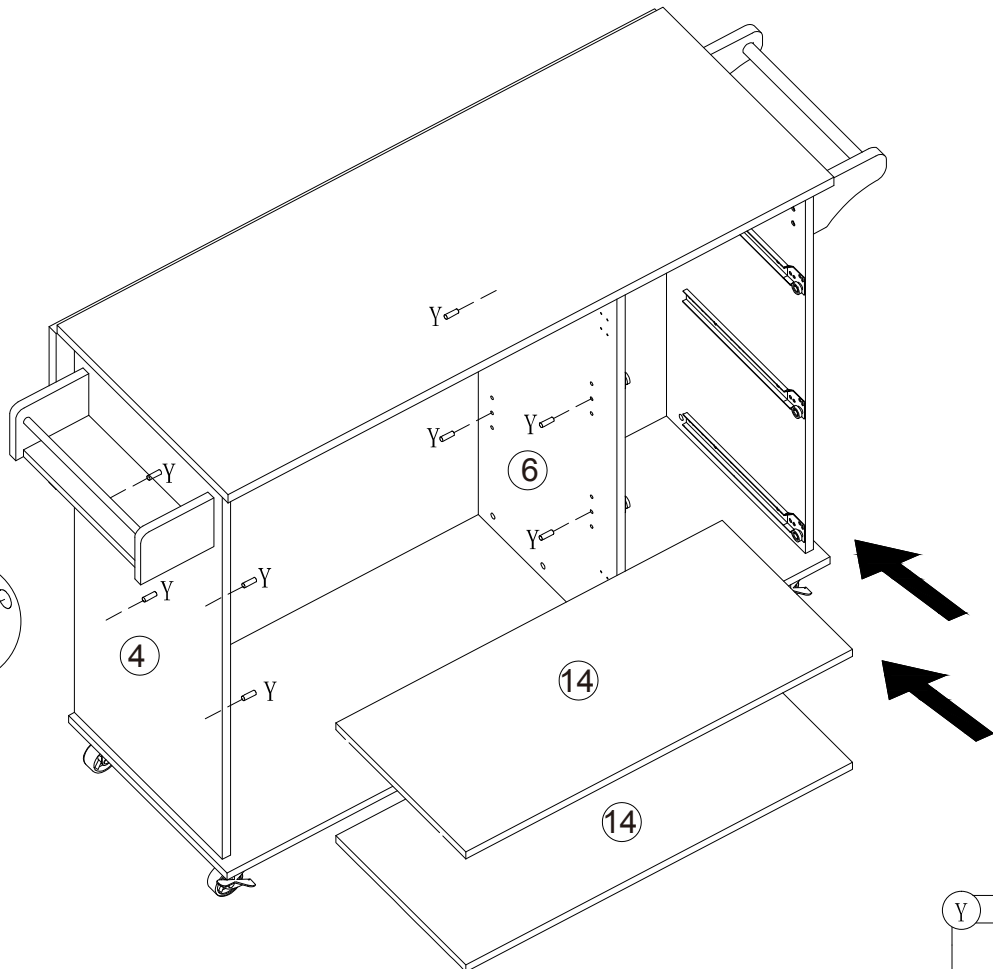
B	× 6
	

G	× 2
4 × 35 	

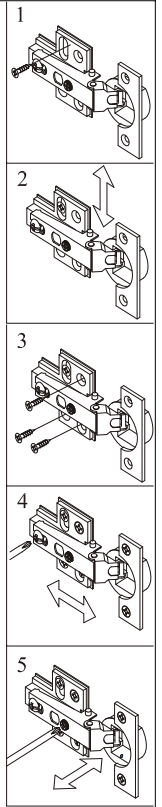
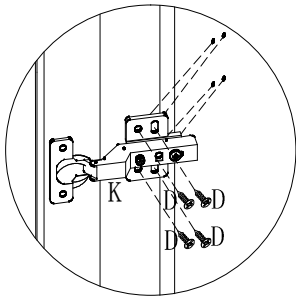
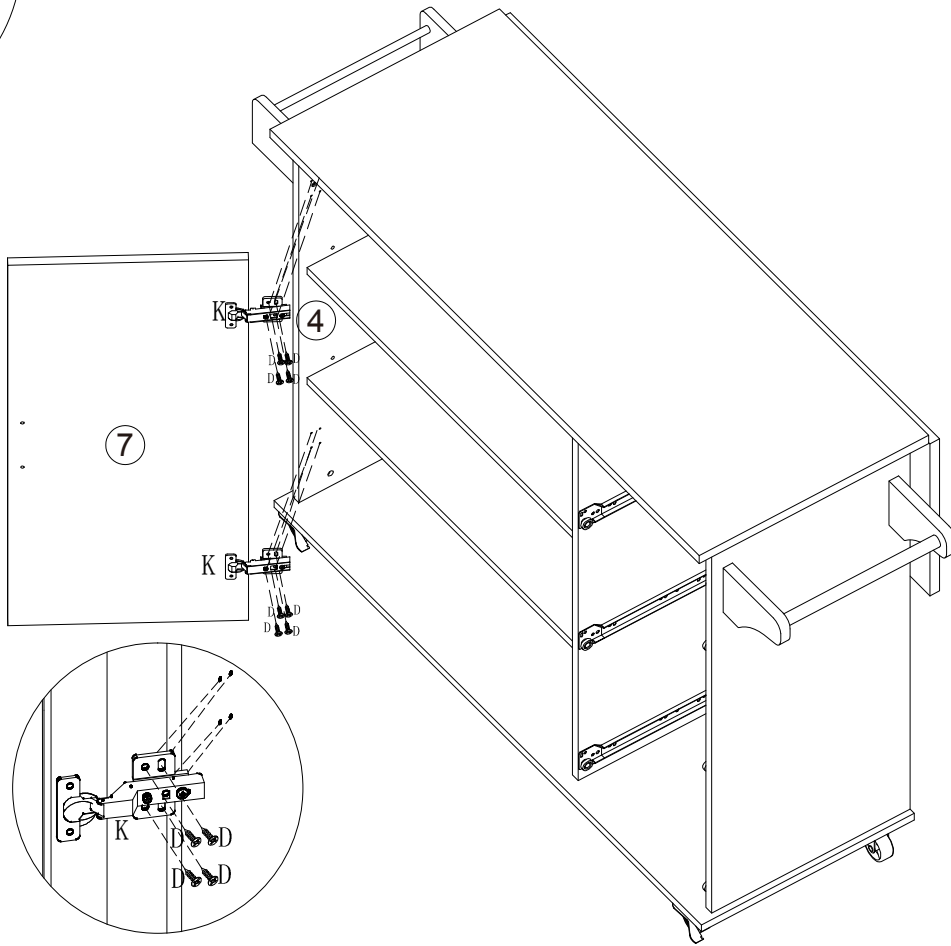
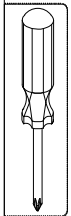
11



12

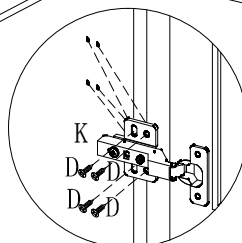
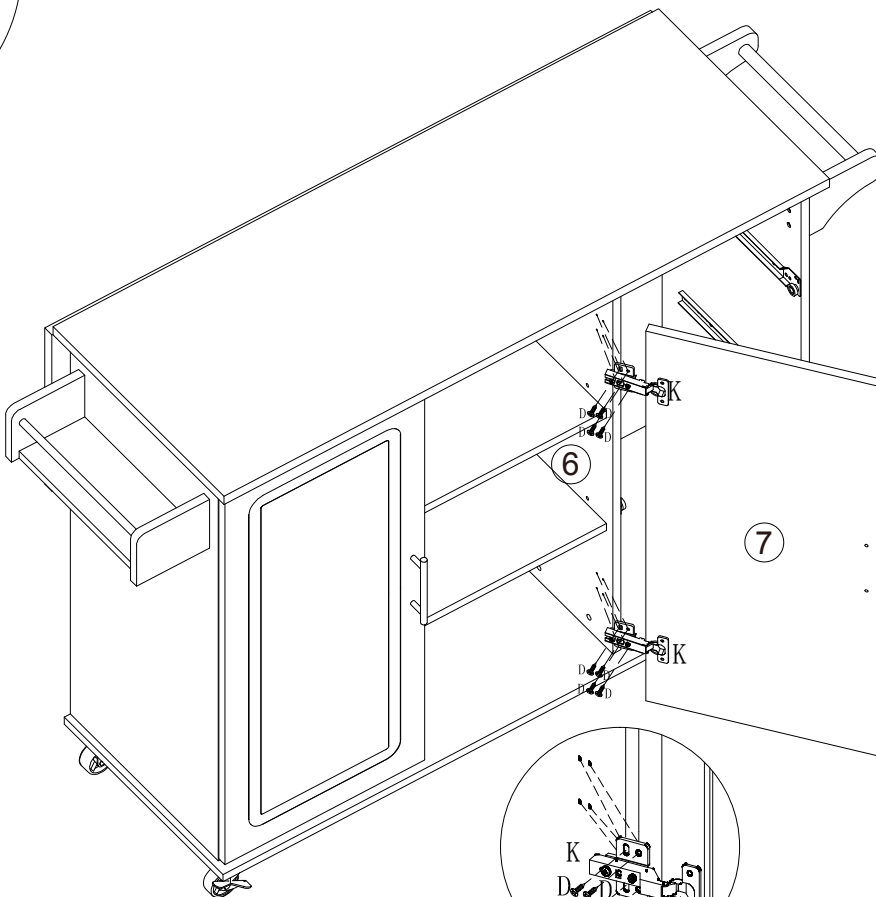
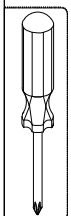


13



D × 8
 3 × 12

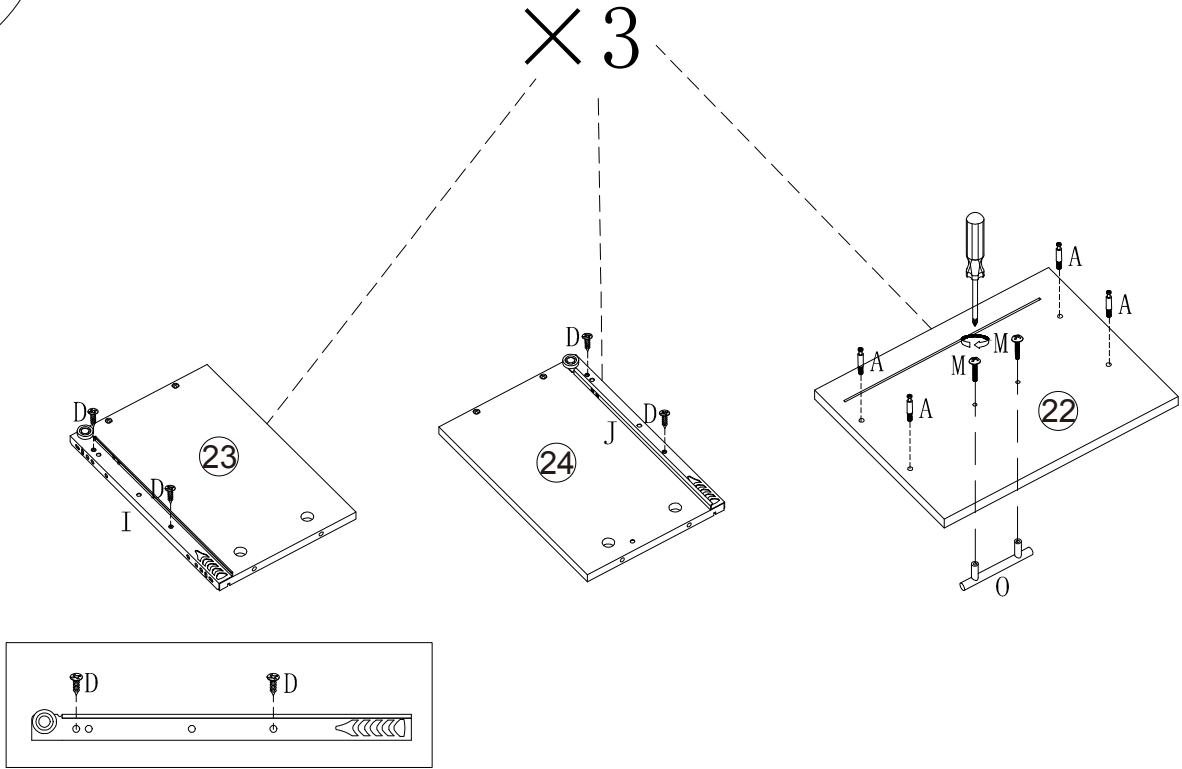
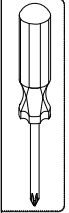
14



D × 8
 3 × 12

15

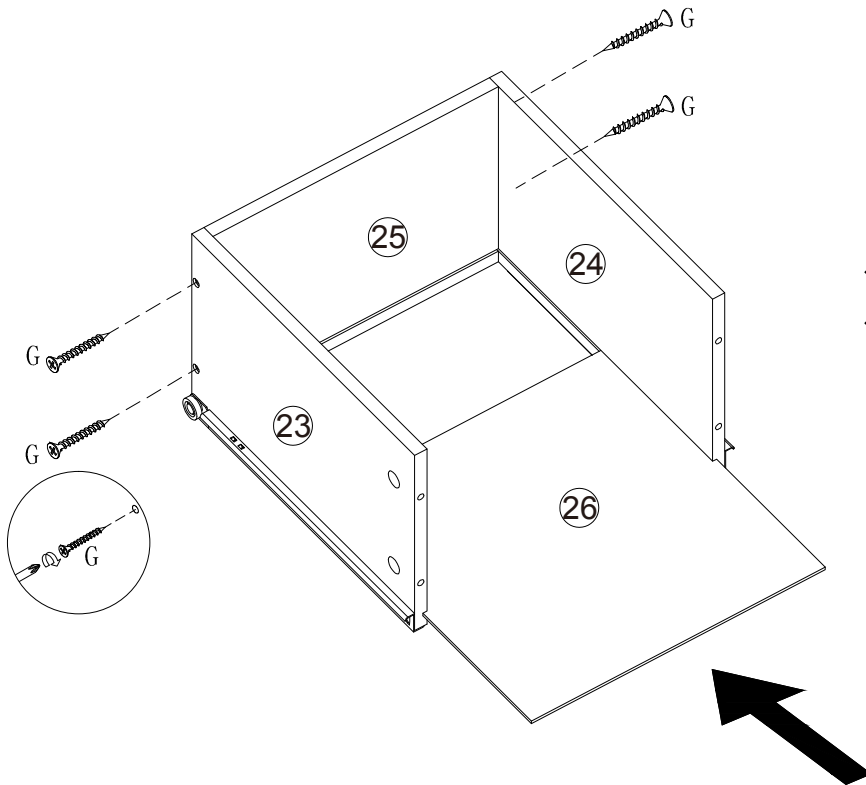
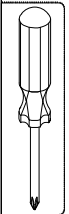
× 3



- | | | | | | |
|--------------------------|--------------------------|----------------|----------------|-------------------------|----------------|
| <p>(A) × 12
6×35</p> | <p>(D) × 12
3×12</p> | <p>(I) × 3</p> | <p>(J) × 3</p> | <p>(M) × 6
4×16</p> | <p>(O) × 3</p> |
|--------------------------|--------------------------|----------------|----------------|-------------------------|----------------|

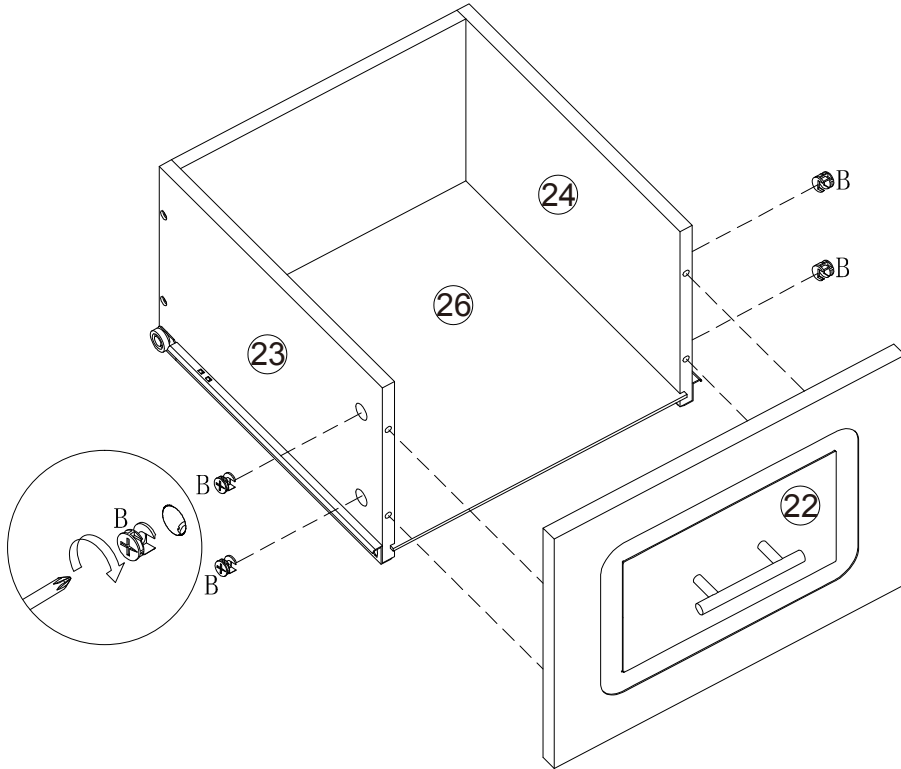
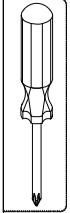
16

× 3

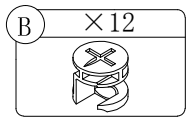


- | |
|--------------------------|
| <p>(G) × 12
4×35</p> |
|--------------------------|

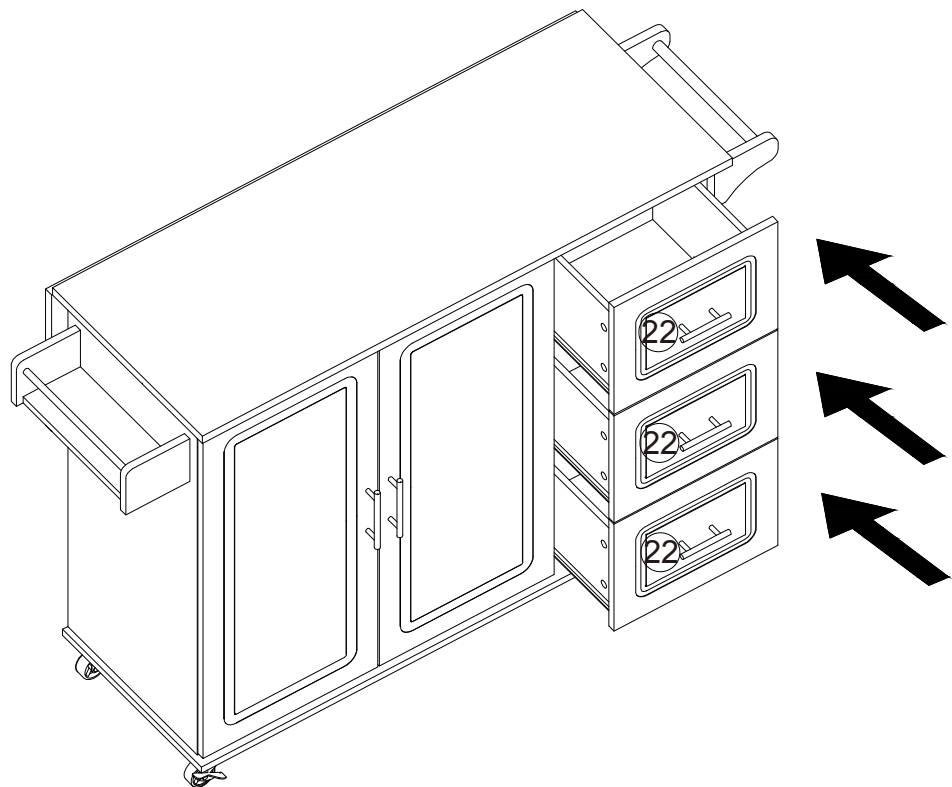
17



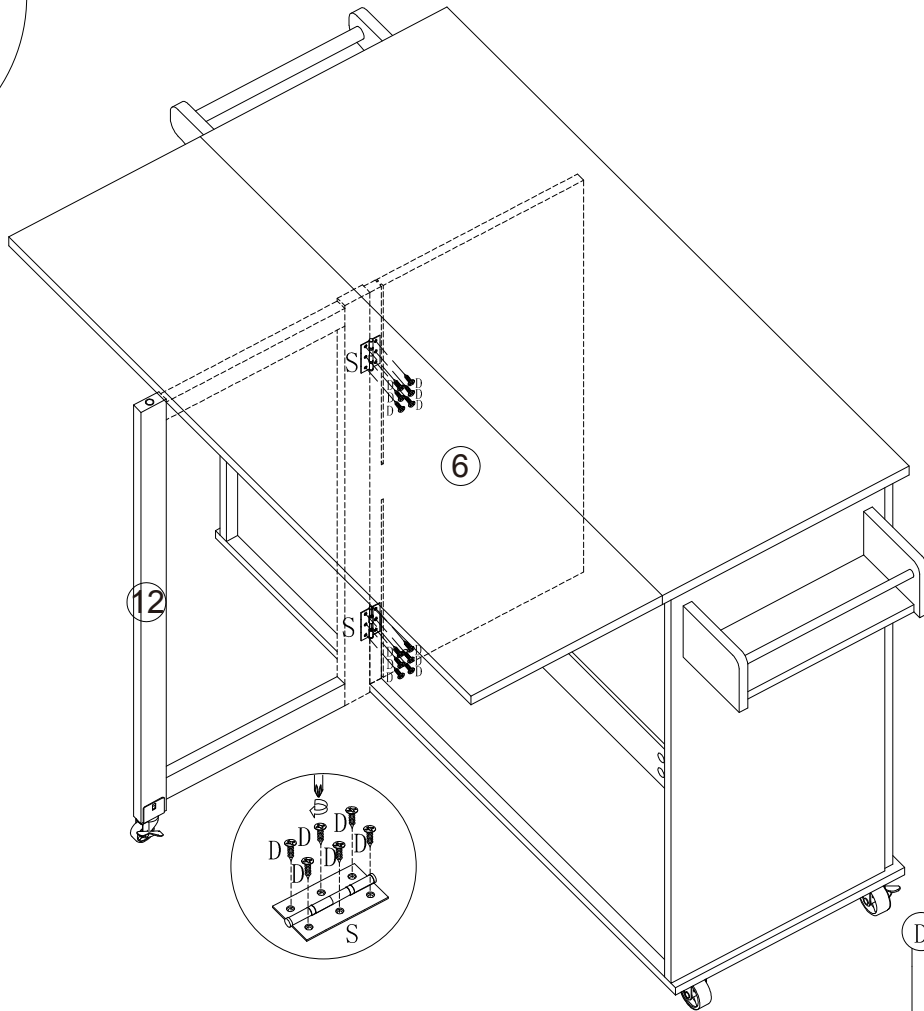
× 3



18



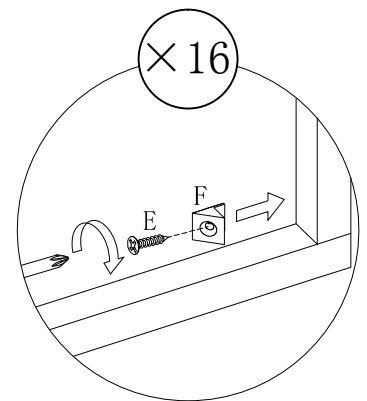
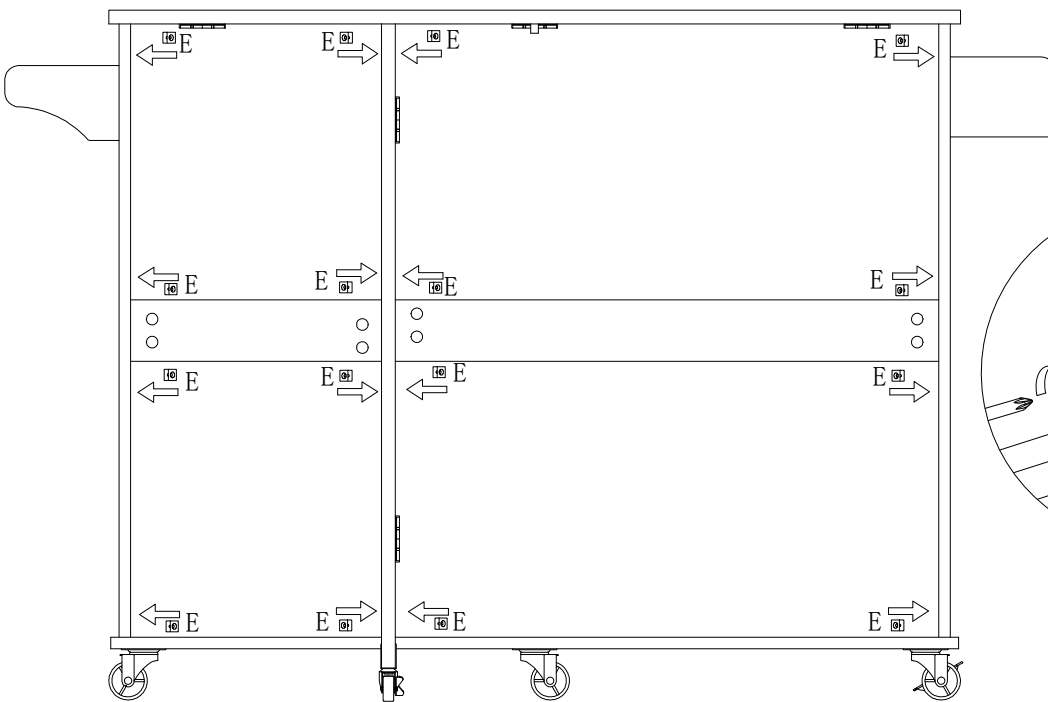
19



D × 12
3 × 12

S × 2

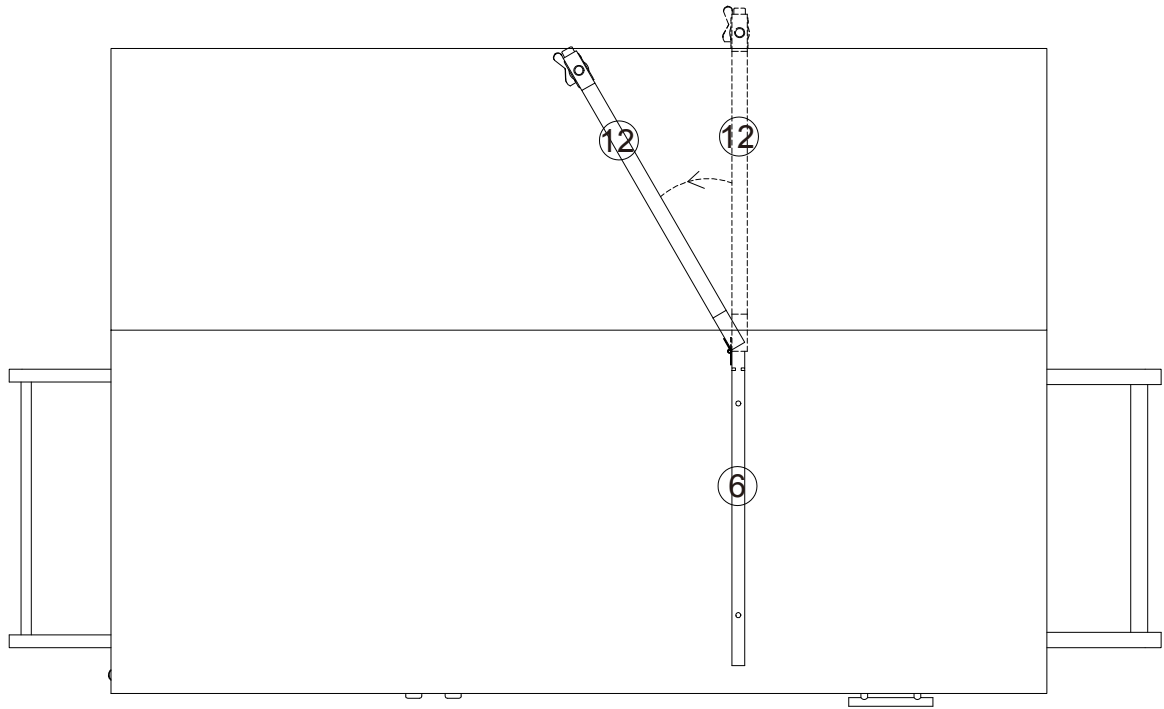
20



E × 16
3 × 14

F × 16

21



OK

