

Thank you for choosing our product.

Please read the contents on the second page carefully.

- Before starting the installation, please thoroughly check the listed accessories below and read this manual attentively.
- Then proceed with the assembly step by step. If you have any questions, please don't hesitate to contact us.



Attention

1. Thank you for trusting us.
2. Our gazebo is packaged in 2 boxes. Box A contains all the frames, while Box B contains all the top panels.
3. We encourage you to reach out to us at the earliest if you encounter any issues.
4. We kindly request your attention to installation safety and child safety.

To Every Customer Who Has Purchased Our Gazebos

Before you begin the installation, please take a few minutes to carefully read the following important notes and be aware of your rights and entitlements.

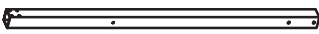
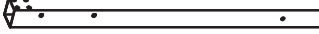
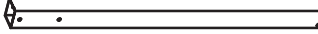





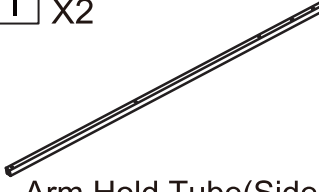

















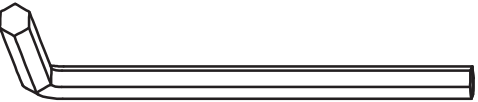
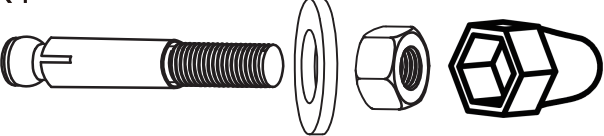

Some of Your Concerns:

1. Please note that if you find any damage to the package upon arrival, resulting in loss of internal components or visible damage, please contact us. We will take responsibility for any damages caused during transportation.
2. Please ensure that you begin installation after receiving both boxes of the package. If not, please contact us to inquire about the corresponding package status, and we will respond within 24 hours.
3. Product stability has been tested: the product can withstand winds of approximately 40-60 mph and a static pressure test of 6.5 lbs per square foot after correct installation and fixation. (Snow accumulation of about 7 inches in thickness will not pose a threat to the product.)
4. If you have any questions regarding accessory defects, product use, or product installation, please feel free to contact us.

Some Precautions:

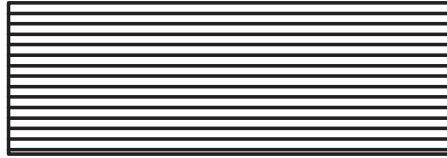
1. Please use the tools we provide to secure the gazebo to the wall to ensure stability.
*Please purchase matching ground stakes for securing the product to the ground according to the installation area you plan. If you are unsure about how to choose, please let us know.
2. Please tighten the screws after ensuring that all screw holes have been properly inserted to avoid uneven hole alignment.
3. Please use a ladder when installing the top part.
4. Keep children away during the installation process, as the product contains small parts that could be swallowed.
5. Do not choose to install the product in strong winds or severe weather conditions.

Parts List-A

<p>A X2</p>  <p>Top Back Leg</p>	<p>B X2</p>  <p>Top Front Leg</p>	<p>C X4</p>  <p>Bottom Leg</p>	<p>D X4</p>  <p>Side Beam</p>
<p>E X12</p>  <p>Board Arm</p>	<p>F X10</p>  <p>Board Protection</p>	<p>G X5</p>  <p>Middle Board Connection</p>	<p>H X6</p>  <p>Arm Connection</p>
<p>I X2</p>  <p>Arm Hold Tube(Side)</p>	<p>J X1</p>  <p>Arm Hold Tube Connection</p>	<p>L X4</p>  <p>Leg Connection</p>	<p>M X10</p>  <p>Wall & Floor Connection</p>
<p>N X2</p>  <p>Beam Connection</p>	<p>O X1</p>  <p>Right Beam Hold</p>	<p>P X1</p>  <p>Left Beam Hold</p>	<p>Q X12</p>  <p>Arm & Beam Connection</p>
<p>R X12</p>  <p>Arm Protection</p>	<p>S X6</p>  <p>Arm Up Connection</p>	<p>T X6</p>  <p>Arm Down Connection</p>	<p>U X4</p>  <p>Beam Plug</p>
<p>V X14</p>  <p>Hold Plug</p>	<p>W X122</p>  <p>Bolt M6*15mm</p>	<p>X X18</p>  <p>Bolt M6*35mm</p>	<p>Y X16</p>  <p>Bolt M6*15mm</p>
<p>Z1 X24</p>  <p>Bolt M6*40mm</p>	<p>Z2 X8</p>  <p>Bolt M6*70mm</p>	<p>Z3 X1</p>  <p>Allen Wrench</p>	
<p>Z5 X4</p>  <p>Expansion Bolts</p>		 <p>Waterproof Washer X24</p>	

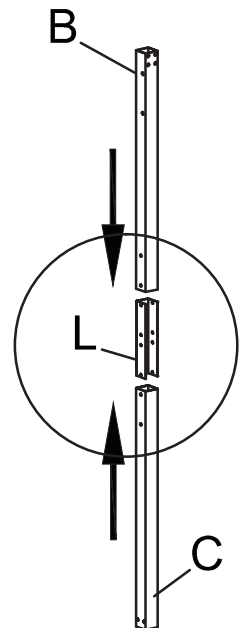
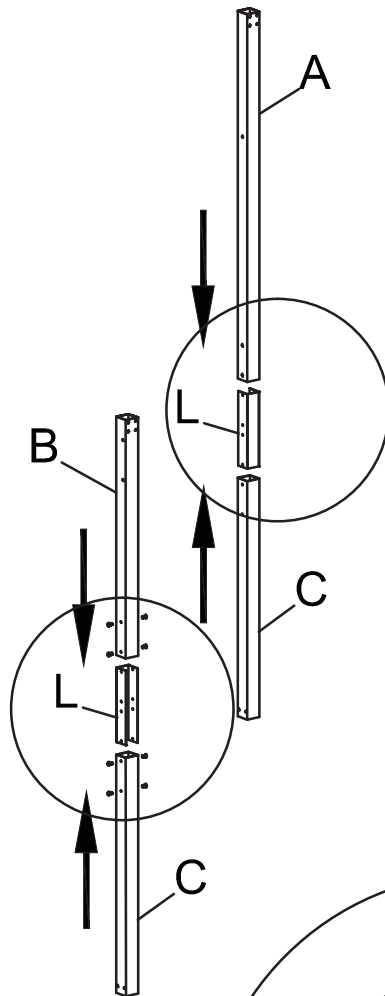
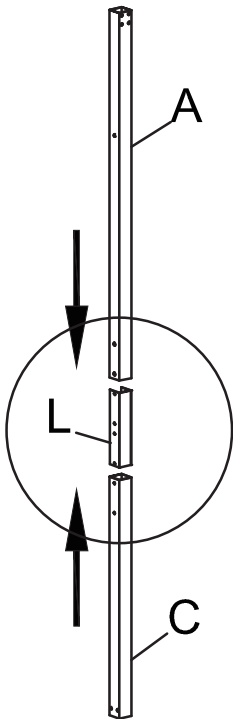
Parts List-B

K1 X10

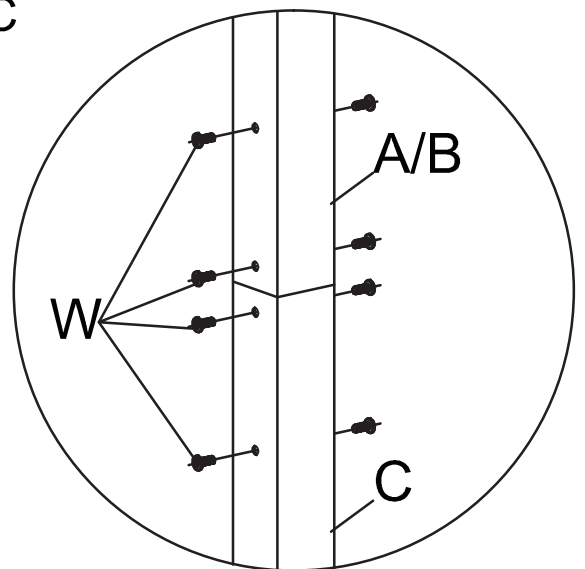


UV Protected Board

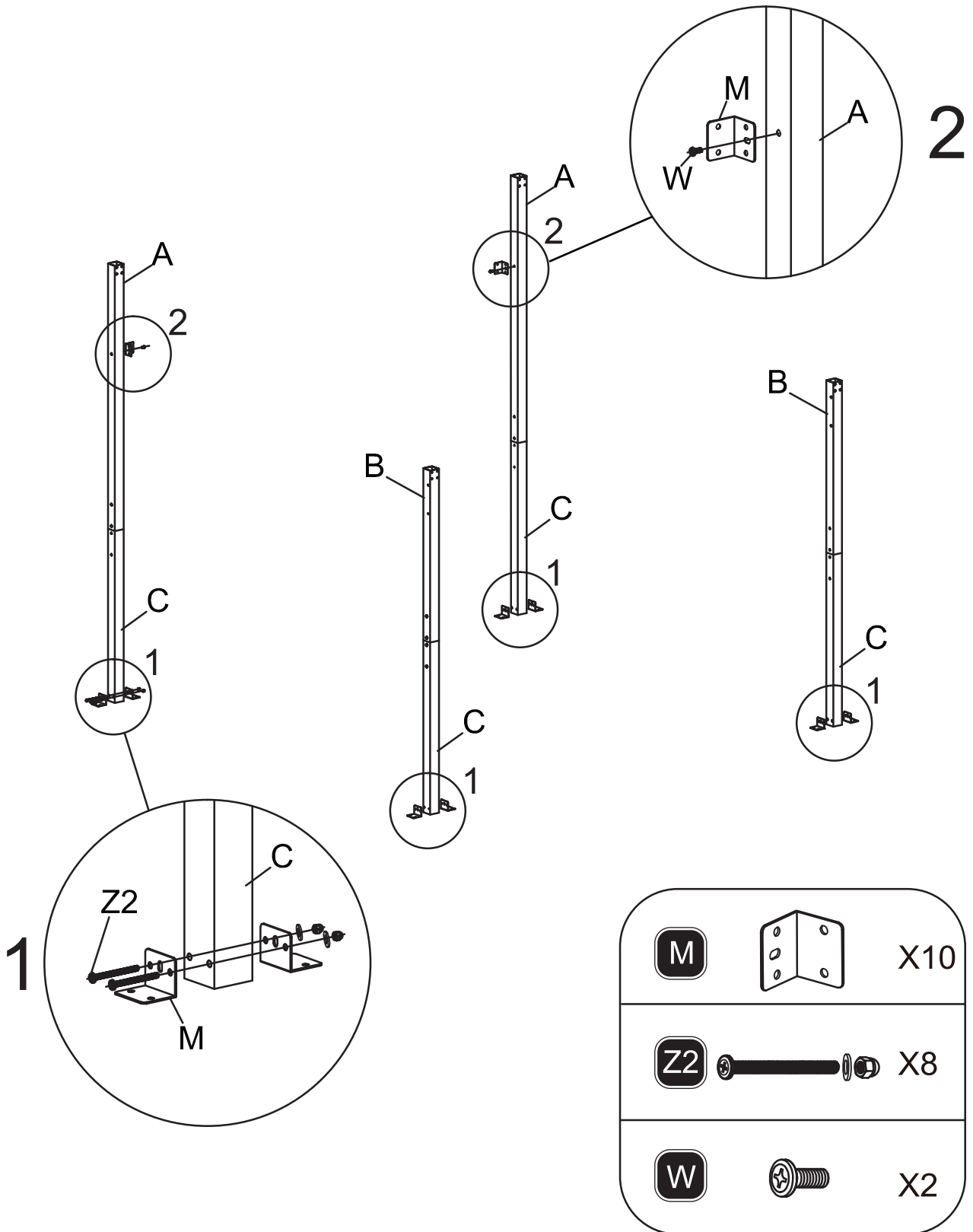
STEP1



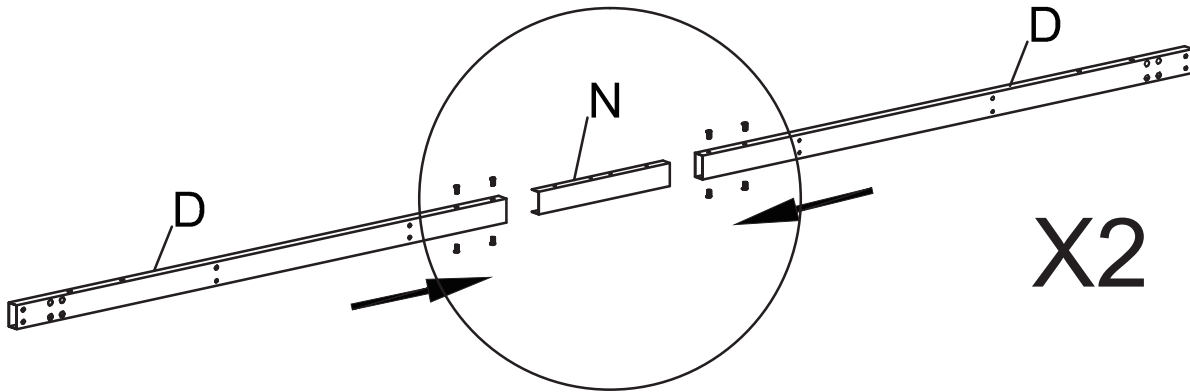
A		X2
B		X2
C		X4
L		X4
W		X32



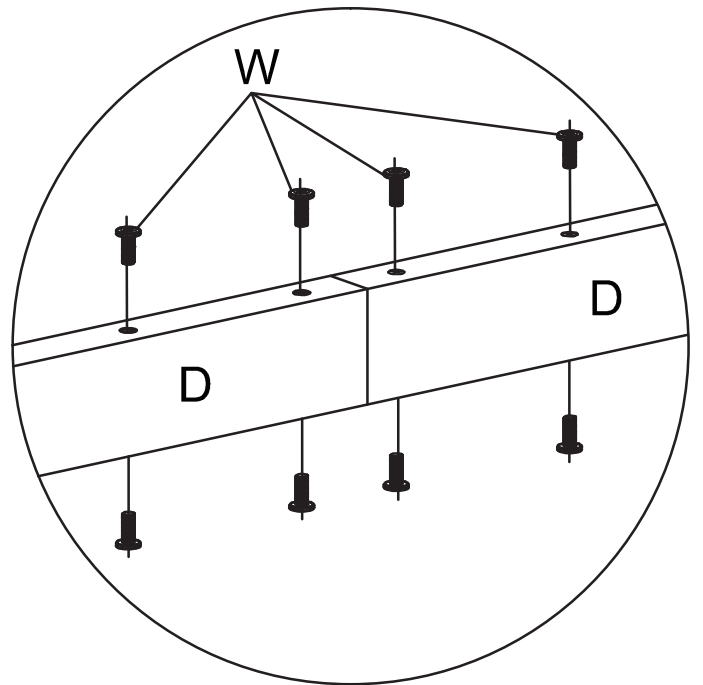
STEP2






STEP3



X2



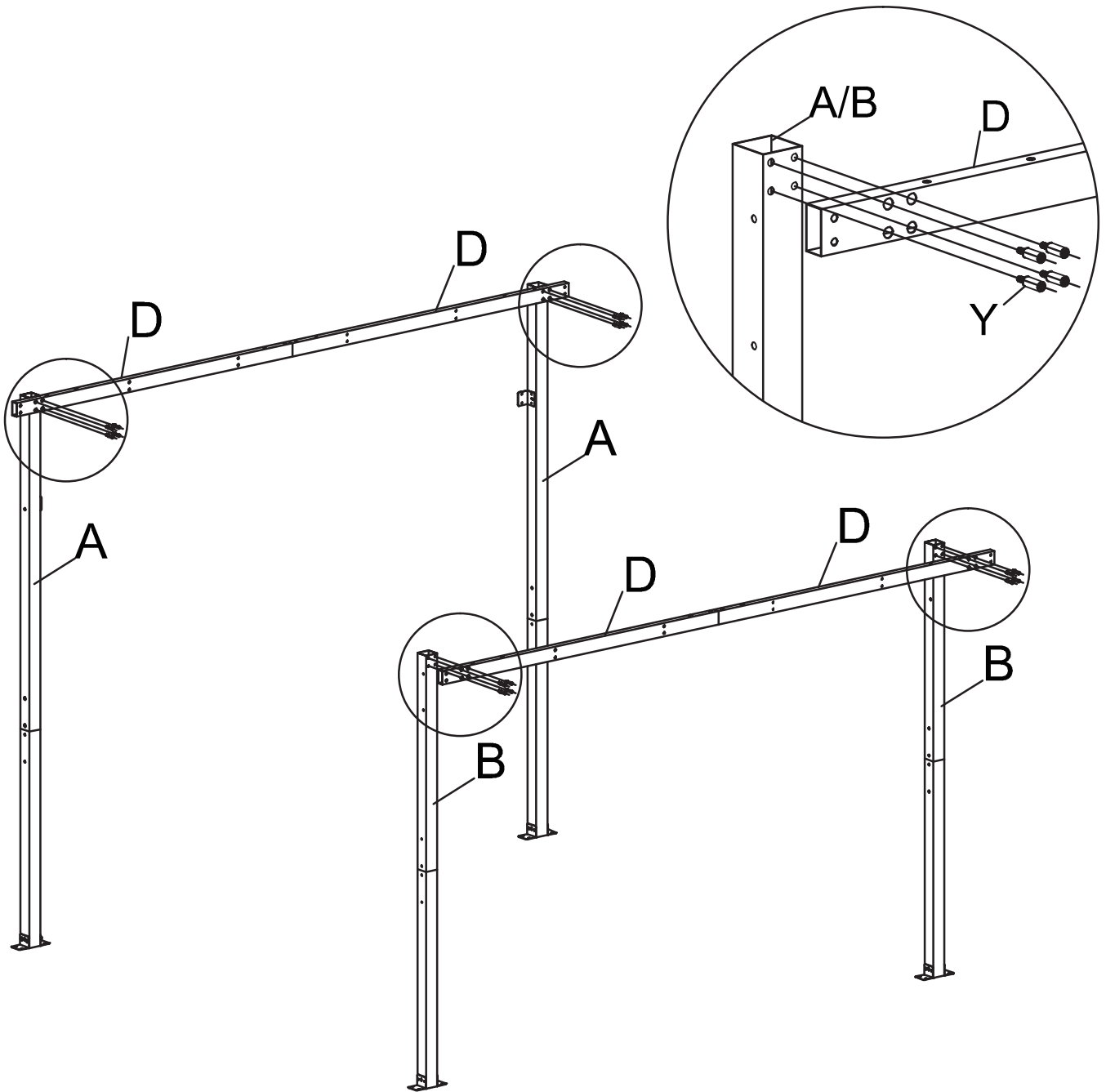
D		X4
N		X2
W		X16

STEP4




Y

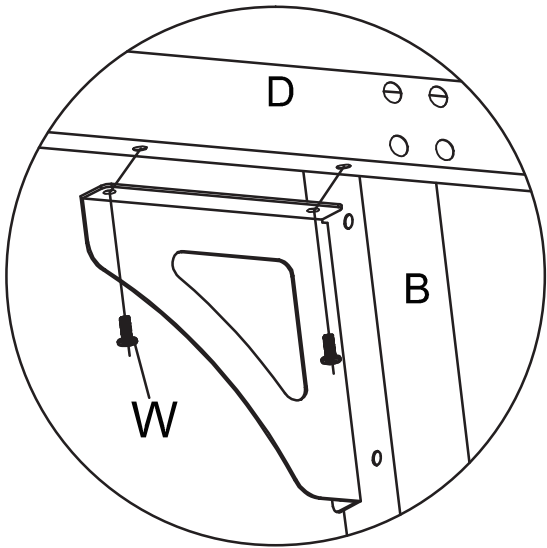
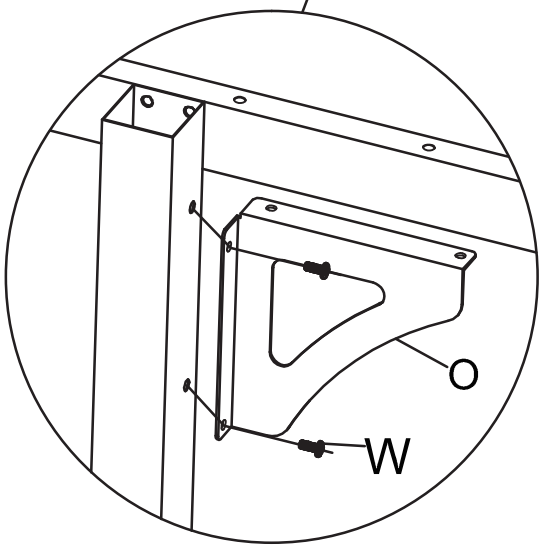
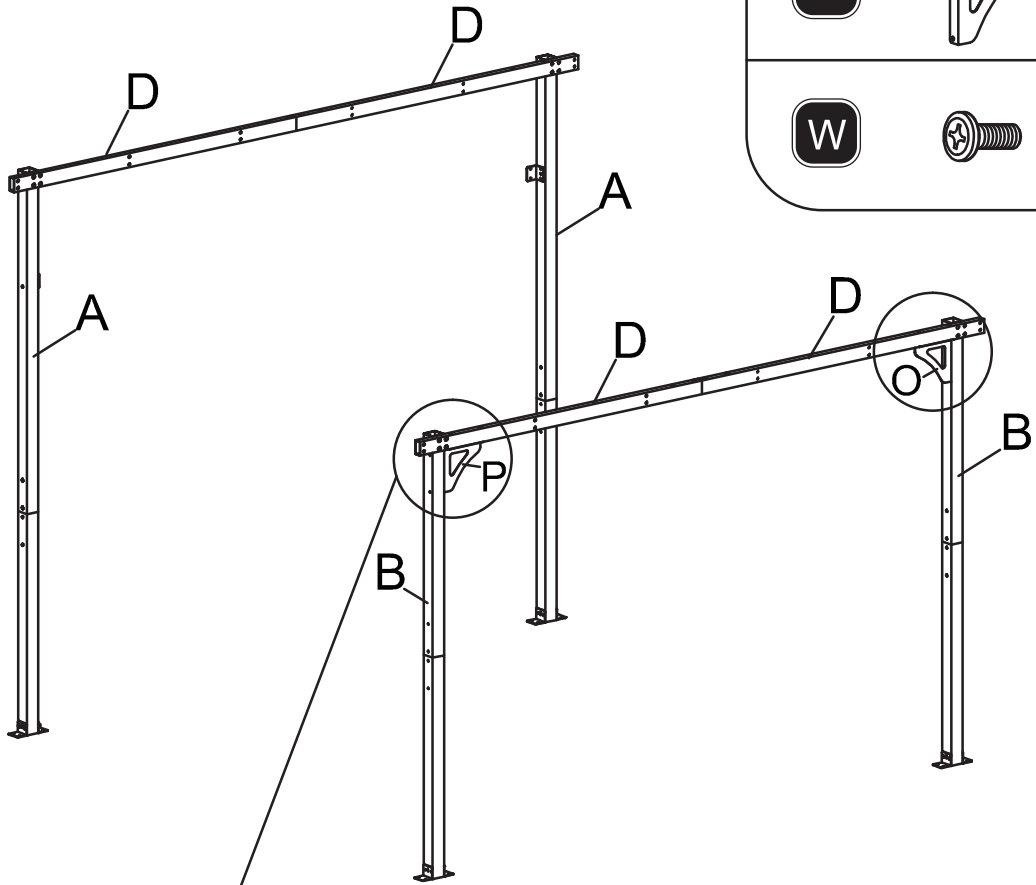


X16



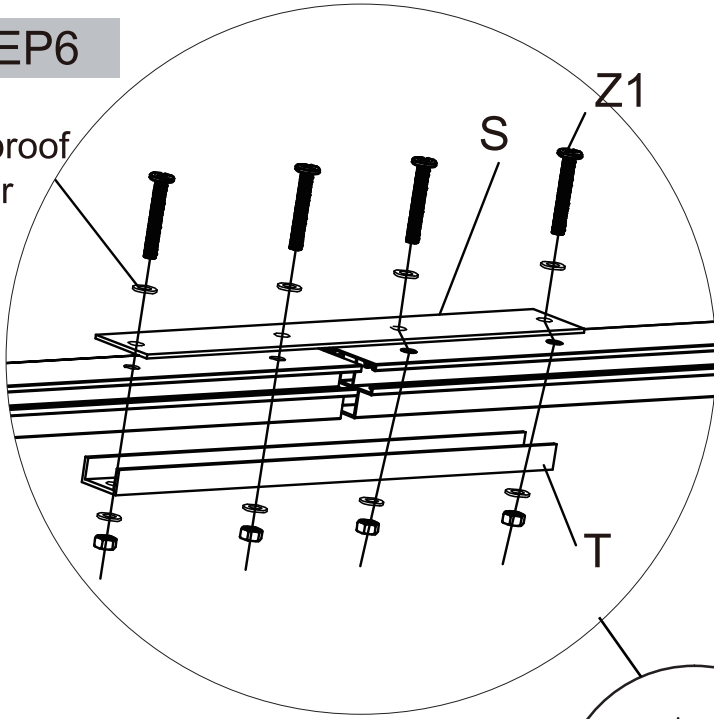
STEP5

O		X1
P		X1
W		X8



STEP6

Waterproof Washer



S  X6

T  X6

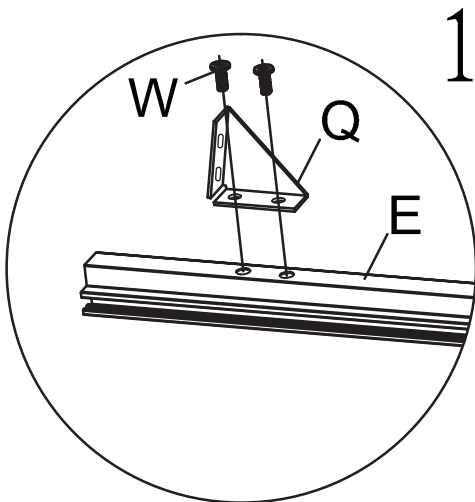
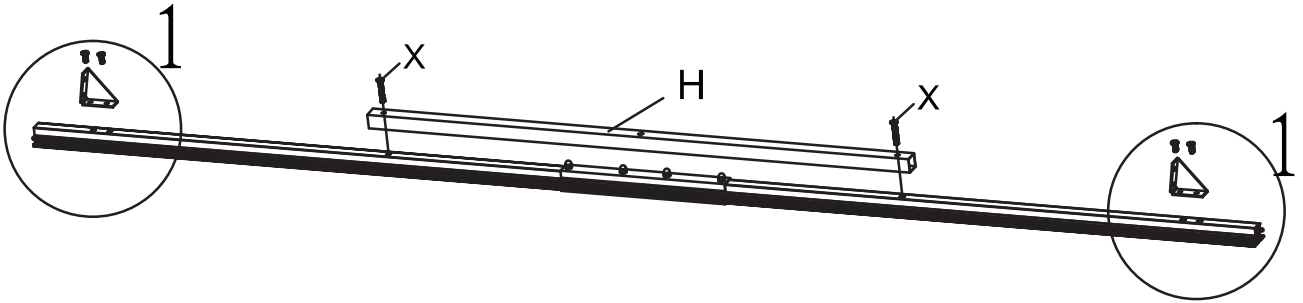
Z1  X24

E  X12

Waterproof Washer X24



STEP7



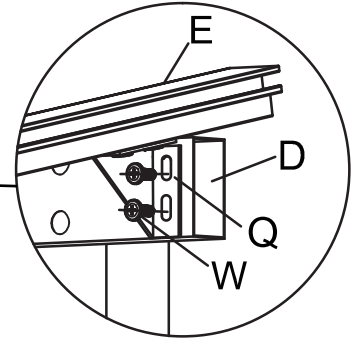
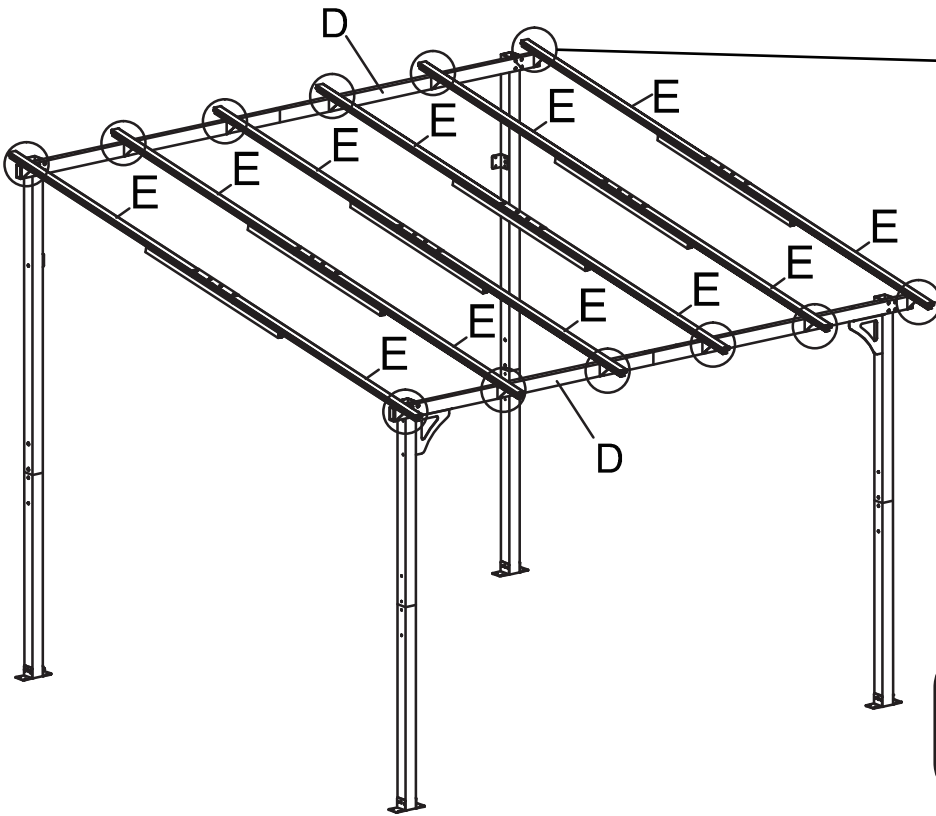
Q  X12

X  X12

W  X24

H  X6

STEP 8

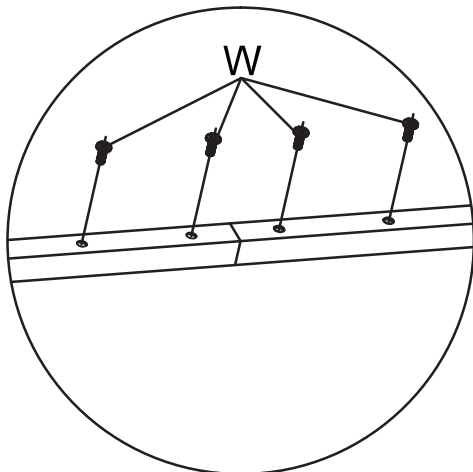
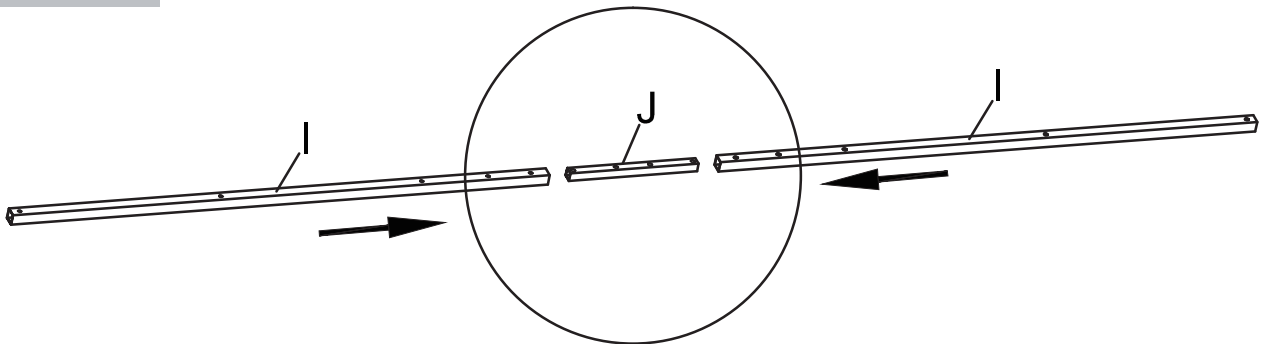


TIPS: Part Q is used by slotted holes that please use the same sides of both holes to make top side of Q higher than Part D. Slotted holes will support the cover board more strongly.



X24

STEP 9



X2

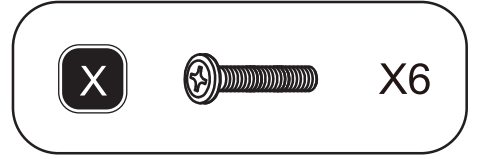
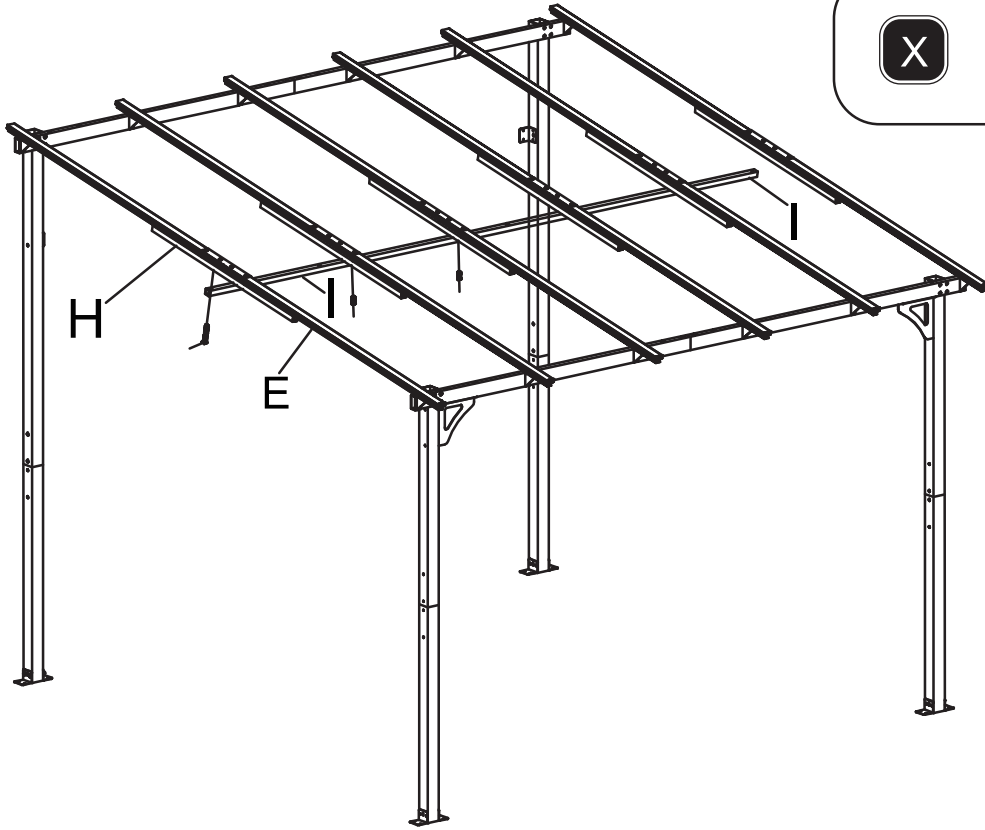


X4

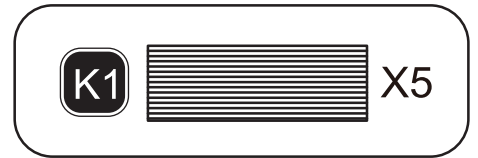
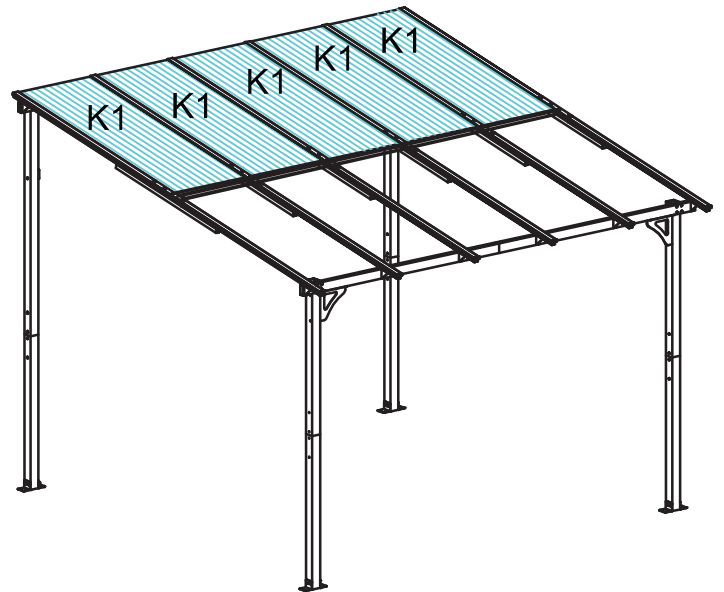
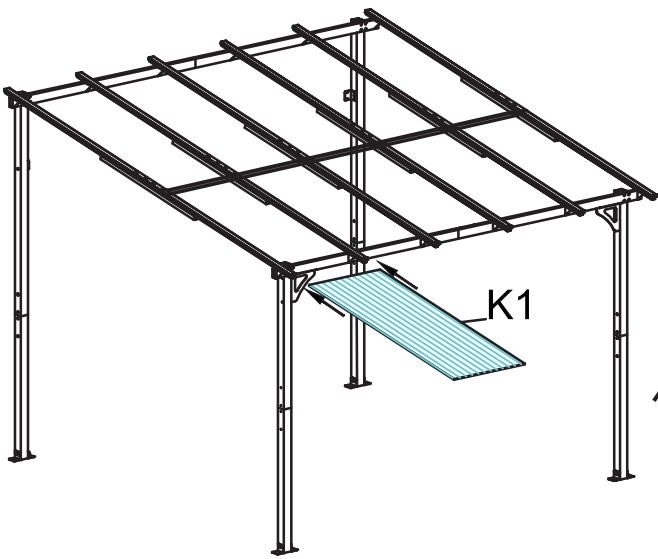


X1




STEP10

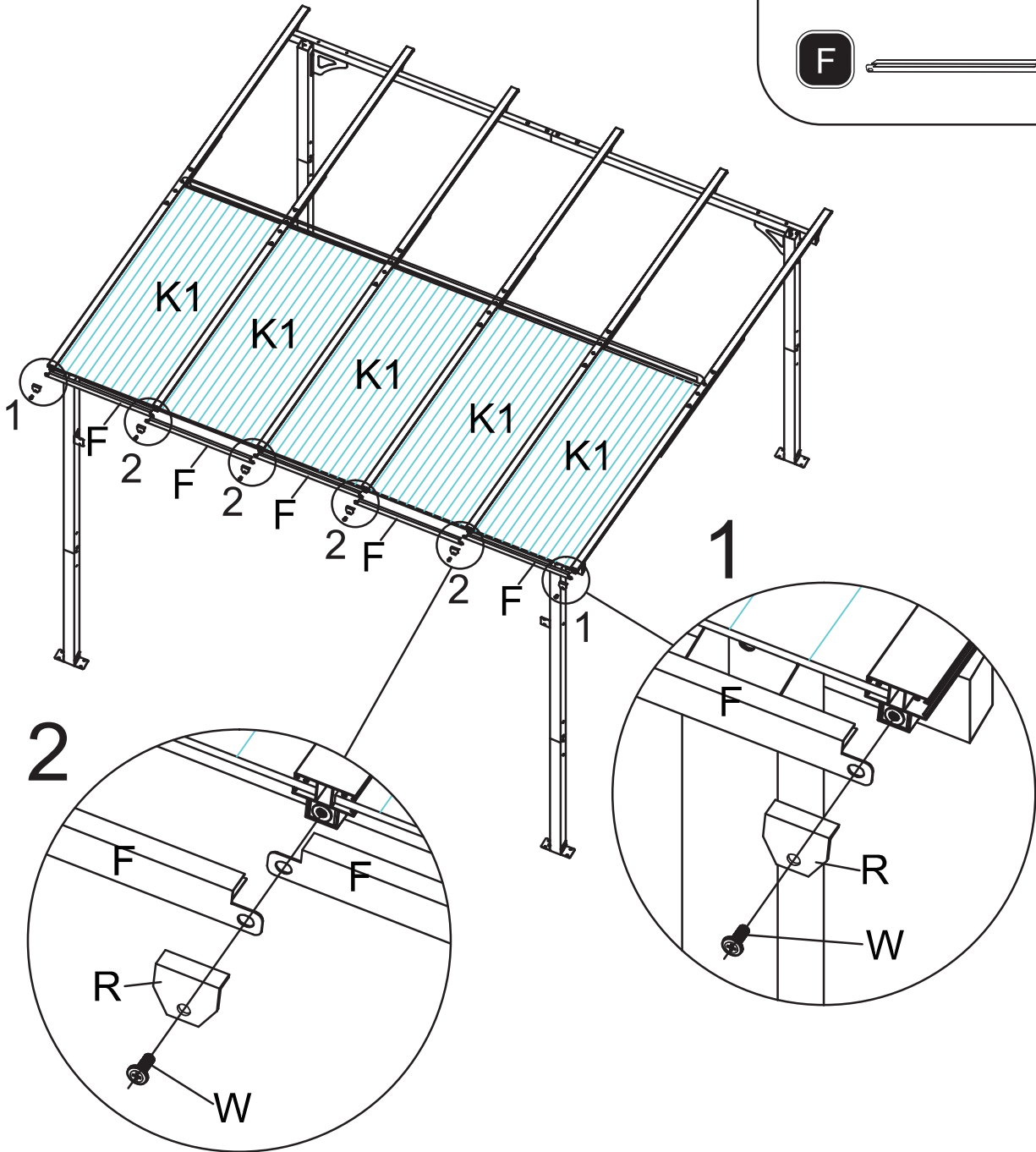


STEP11




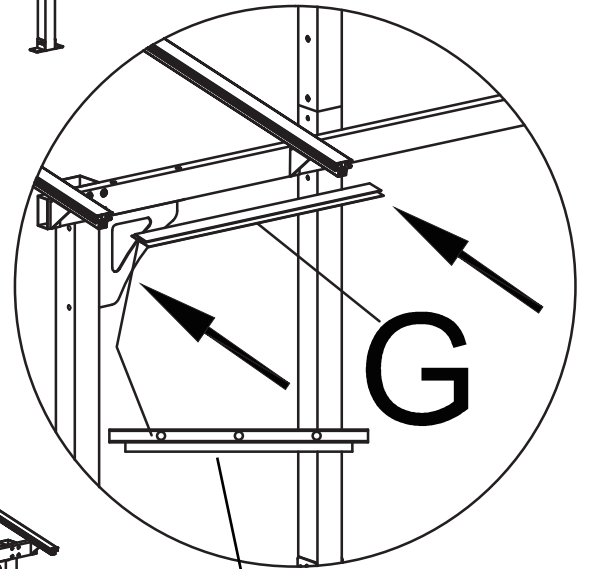
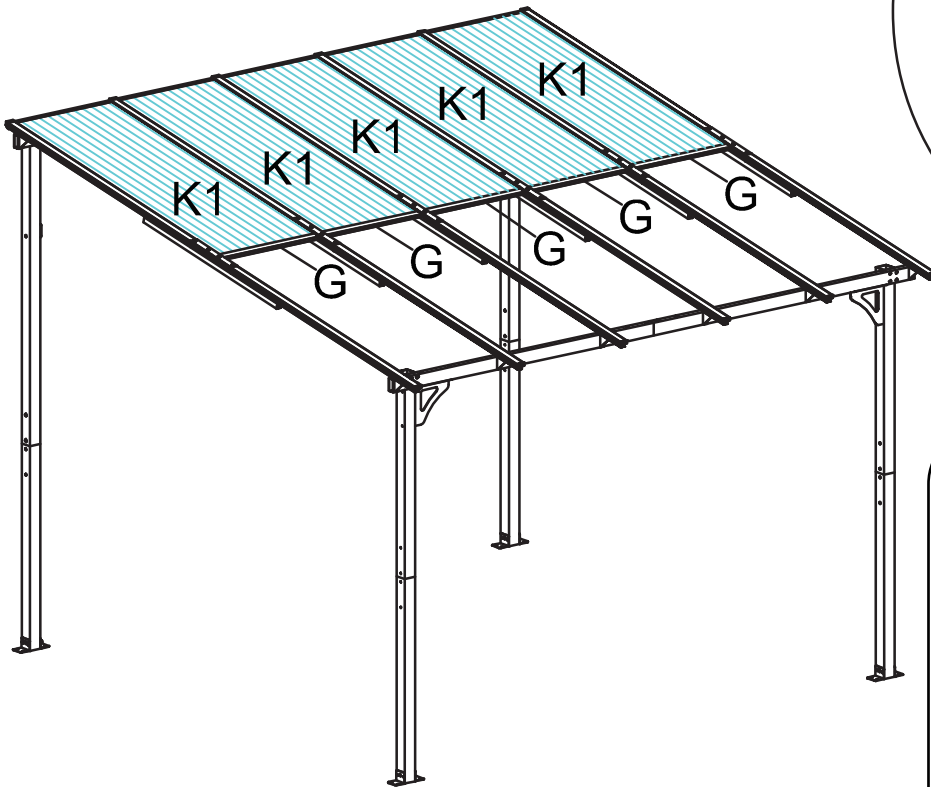
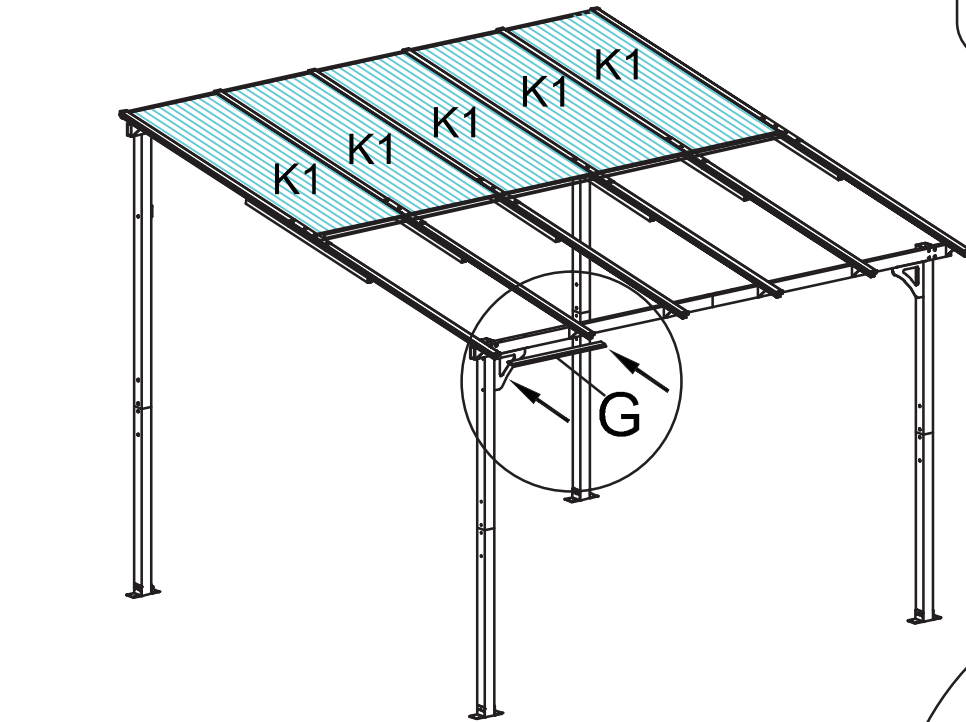
STEP12

R		X6
W		X6
F		X5



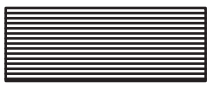
STEP13

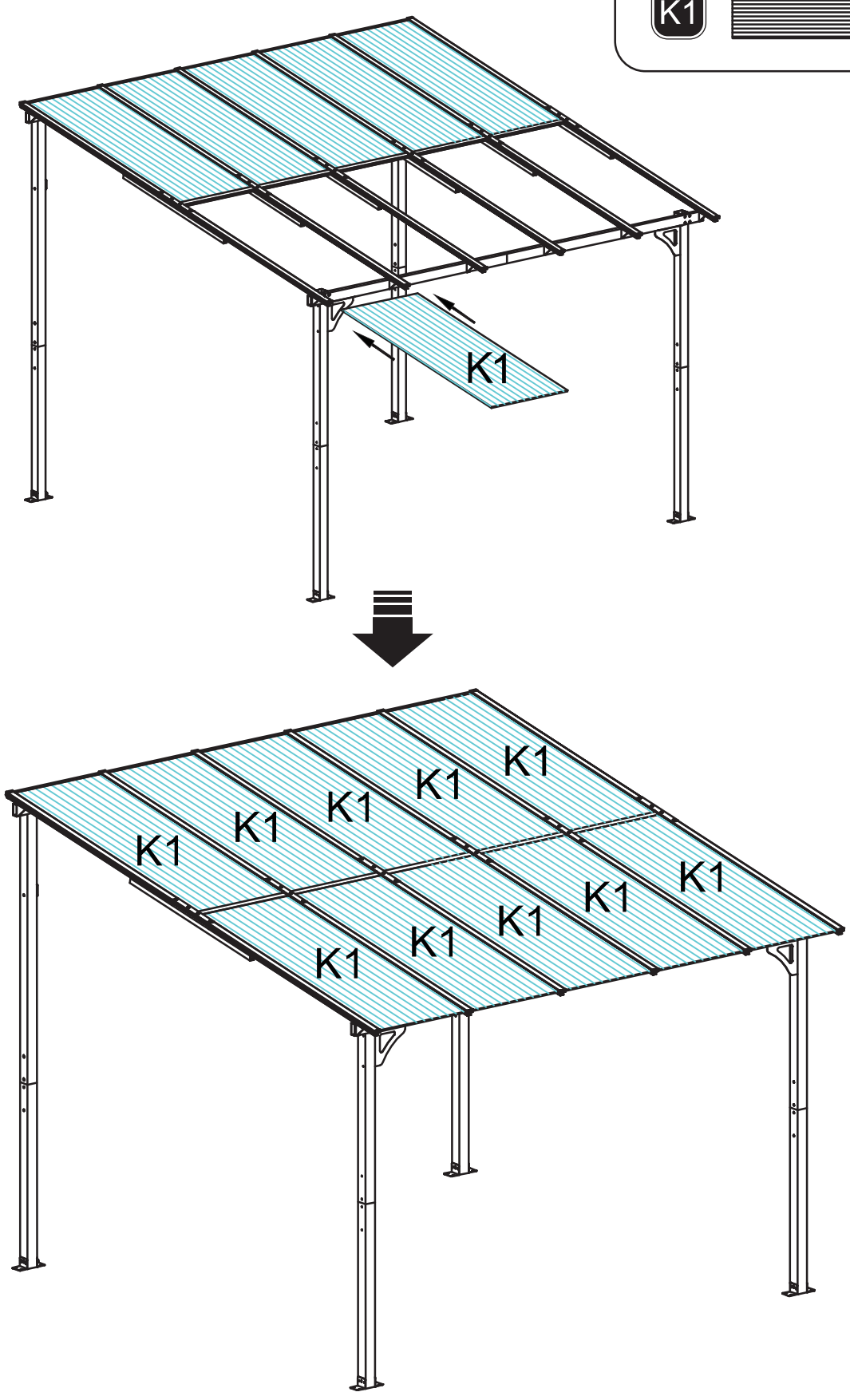
G  X5






Note: One side of the 'G' has drainage holes. Make sure to install it with the side containing the drainage holes facing upwards (the higher side) to prevent water leakage.

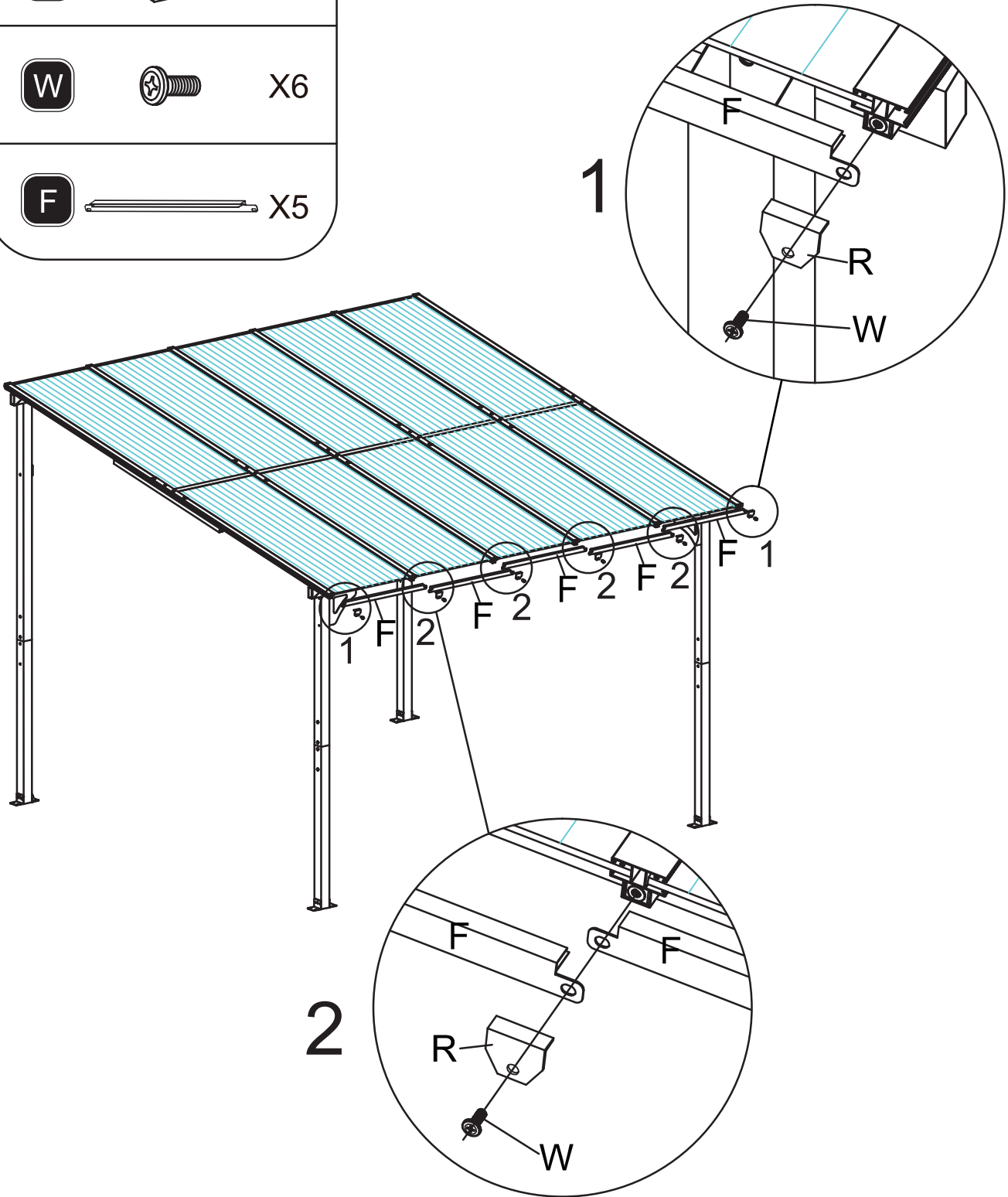
STEP14

K1  X5





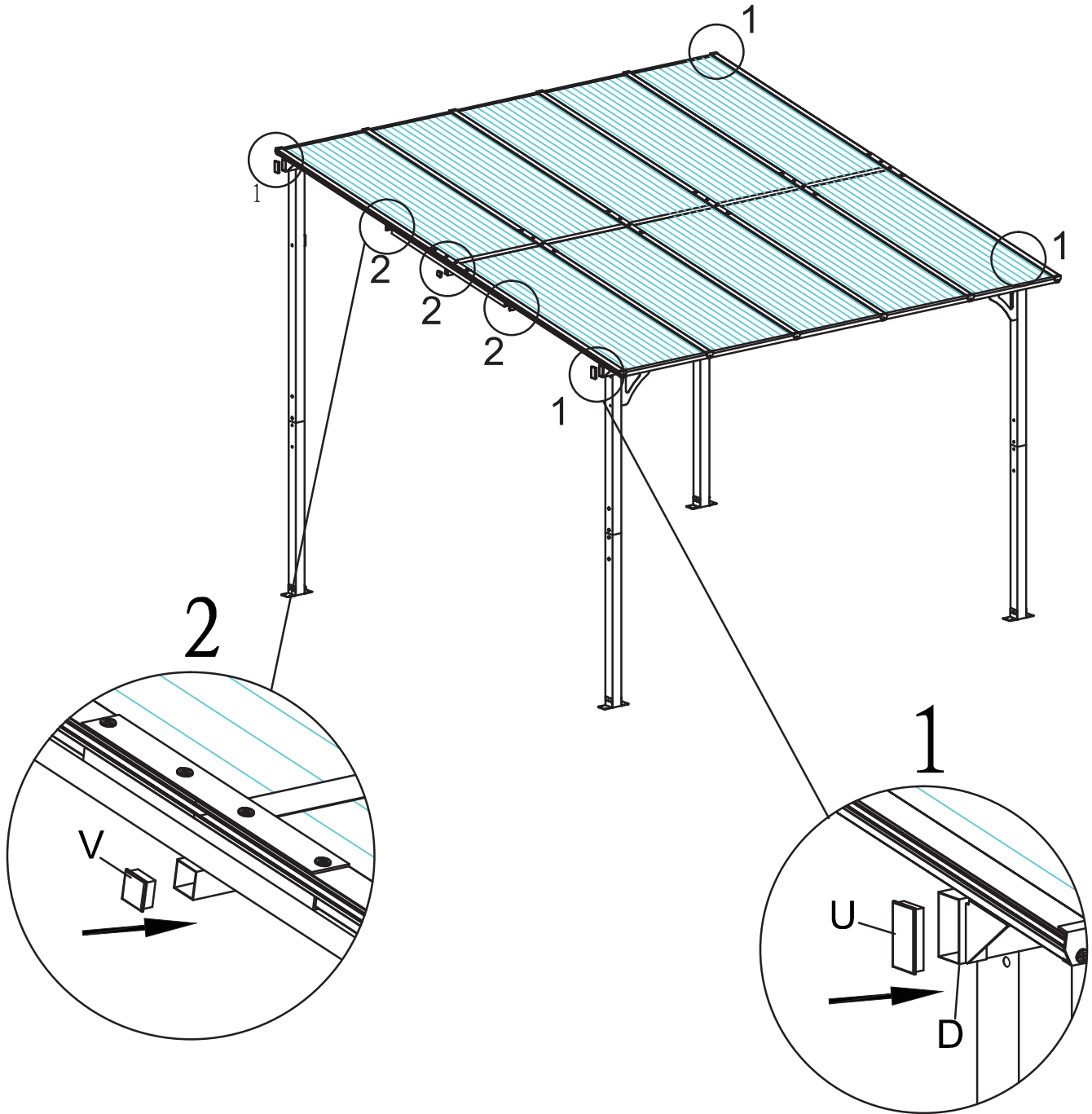
STEP 15

R		X6
W		X6
F		X5



STEP 16

U		X4
V		X14



STEP 17

