










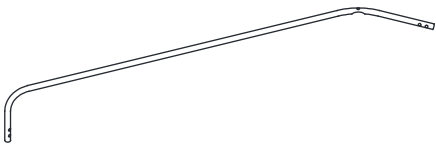
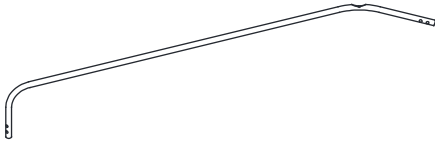
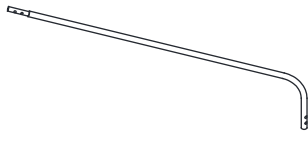
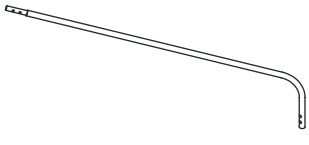
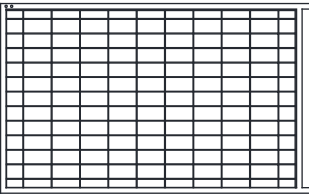
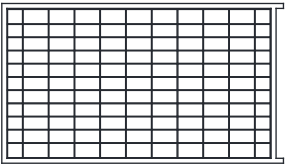
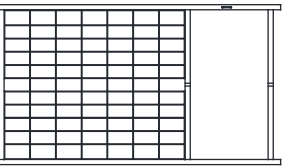
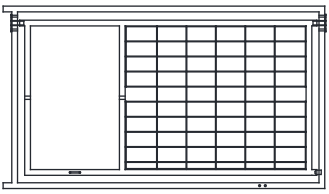
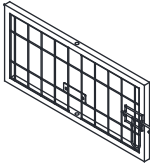
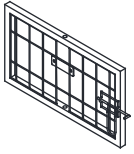






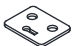

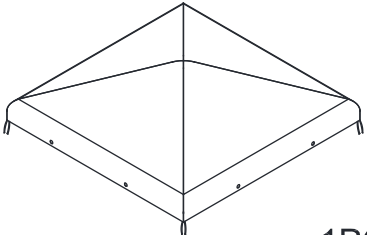

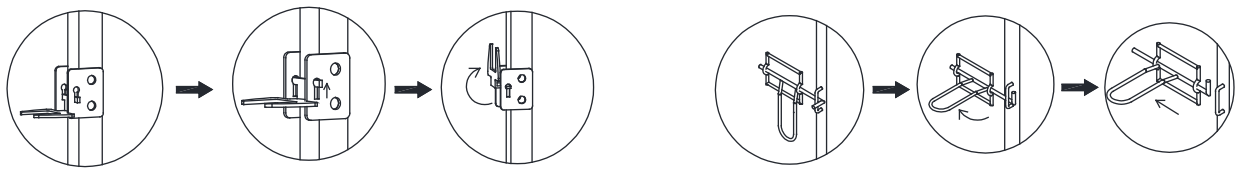


HARDWARE

<p>A</p>  <p>M4</p> <p>1PC</p>	<p>B</p>  <p>M6x12mm</p> <p>4PCS</p>	<p>C</p>  <p>M6x20mm</p> <p>20PCS</p>	<p>D</p>  <p>M6x25mm</p> <p>9PCS</p>	<p>E</p>  <p>M6x30mm</p> <p>2PCS</p>	<p>F</p>  <p>M6x75mm</p> <p>4PCS</p>
<p>G</p>  <p>φ16xφ6x1mm</p> <p>8PCS</p>	<p>H</p>  <p>6PCS</p>	<p>I</p>  <p>1PC</p>	<p>J</p>  <p>17PCS</p>	<p>K</p>  <p>16PCS</p>	

PARTS

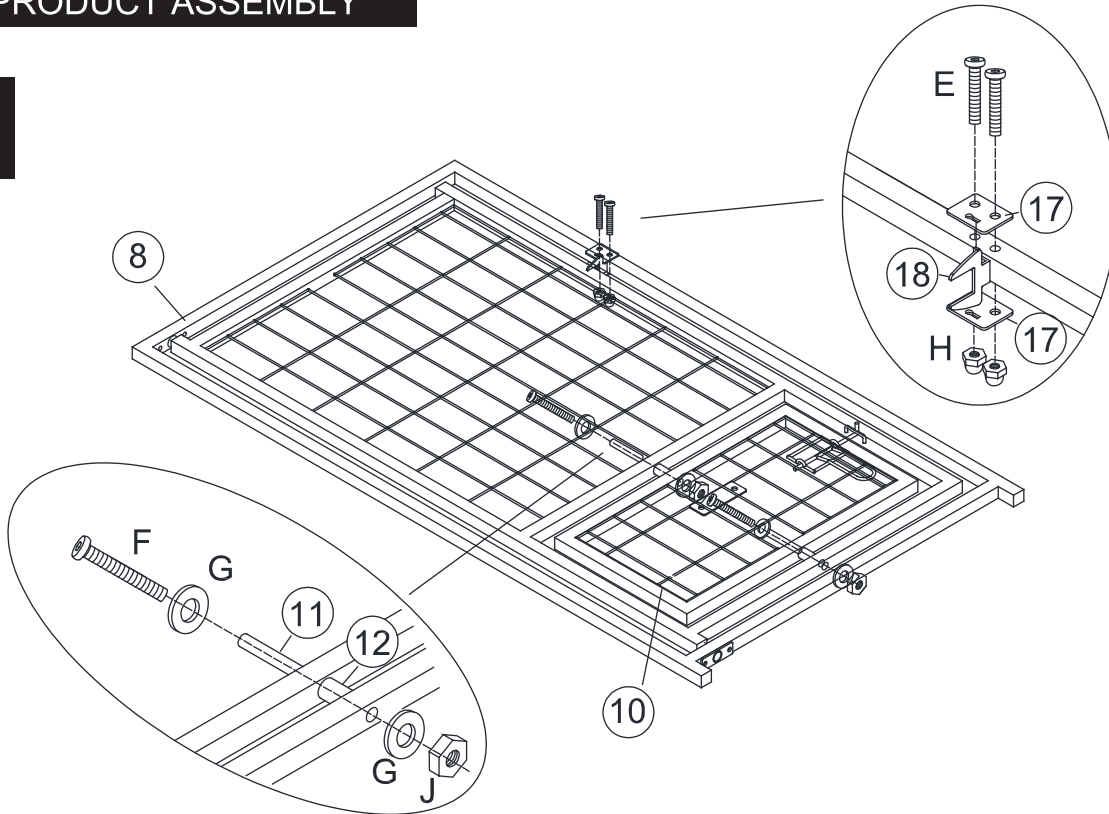
<p>1</p>  <p>1PC</p>	<p>2</p>  <p>1PC</p>	<p>3</p>  <p>1PC</p>			
<p>4</p>  <p>1PC</p>	<p>5</p>  <p>4PCS</p>	<p>6</p>  <p>2PCS</p>			
<p>7</p>  <p>1PC</p>	<p>8</p>  <p>1PC</p>	<p>9</p>  <p>1PC</p>	<p>10</p>  <p>1PC</p>		
<p>11</p>  <p>4PCS</p>	<p>12</p>  <p>4PCS</p>	<p>13</p>  <p>2PCS</p>	<p>14</p>  <p>16PCS</p>	<p>15</p>  <p>16PCS</p>	<p>16</p>  <p>2PCS</p>
<p>17</p>  <p>2PCS</p>	<p>18</p>  <p>1PC</p>	<p>19</p>  <p>1PC</p>	<p>20</p>  <p>8PCS</p>		



PRODUCT ASSEMBLY

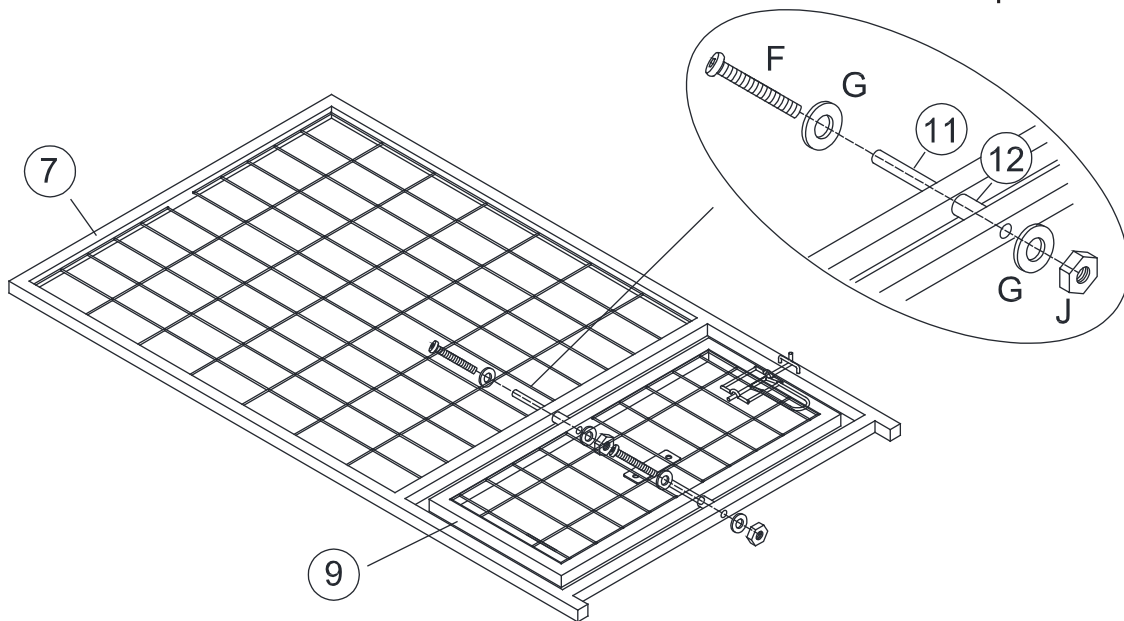
Screw the hardware E / H to the part 17/18.

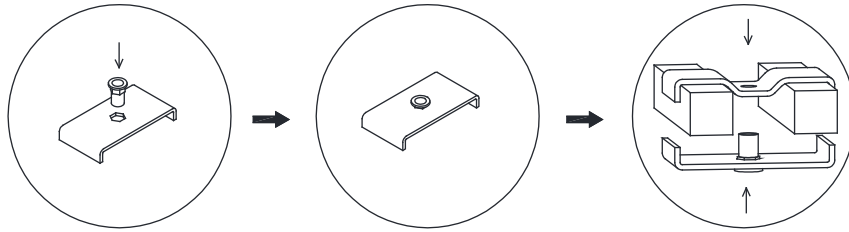
1



Screw the hardware F / G / J to the part 11/12.

Screw the hardware F / G / J to the part 11/12.

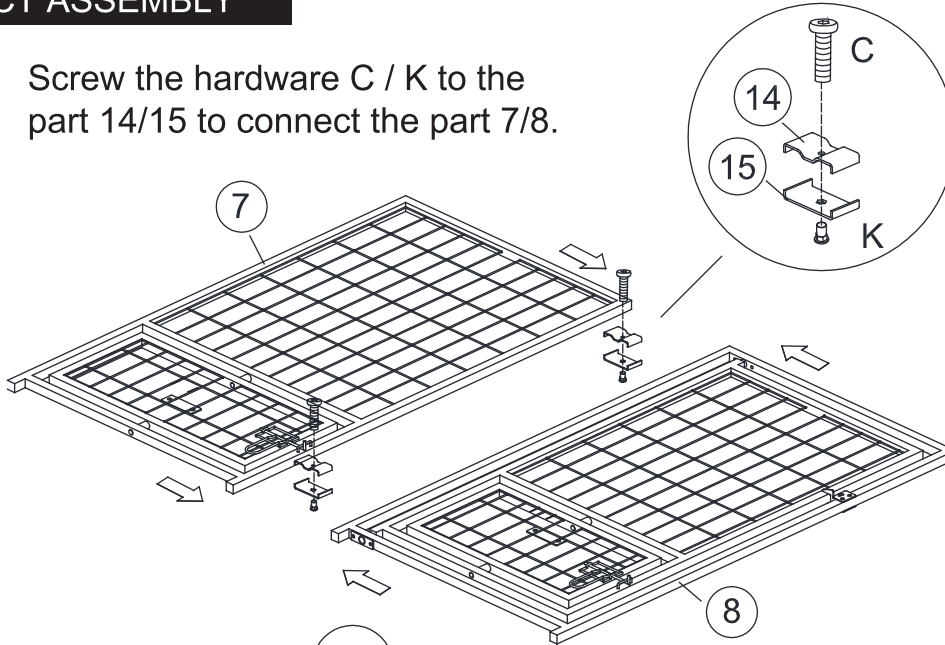




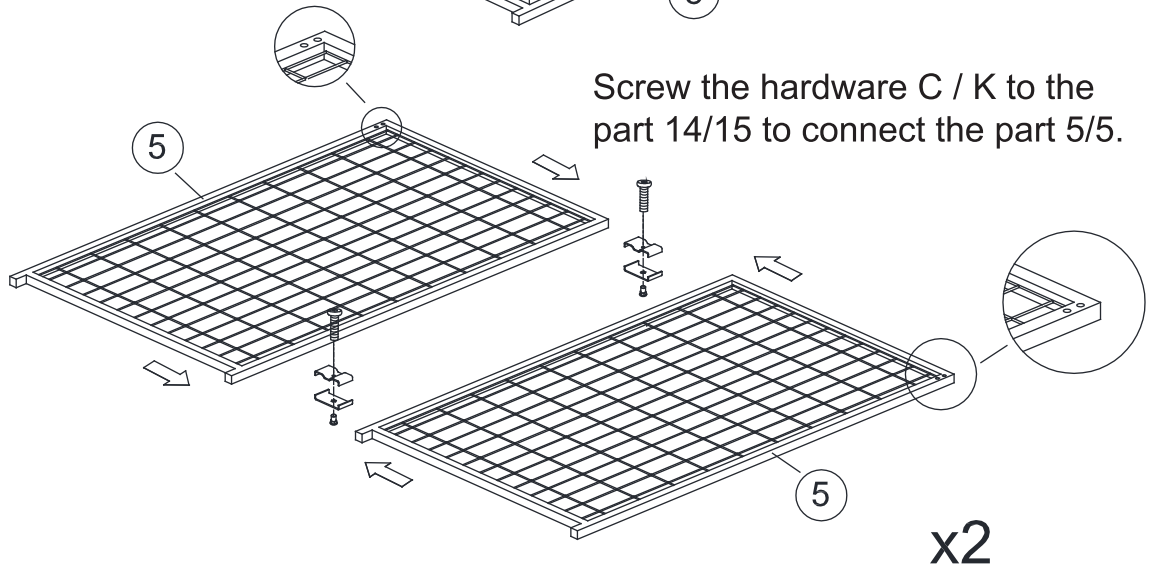
PRODUCT ASSEMBLY

2

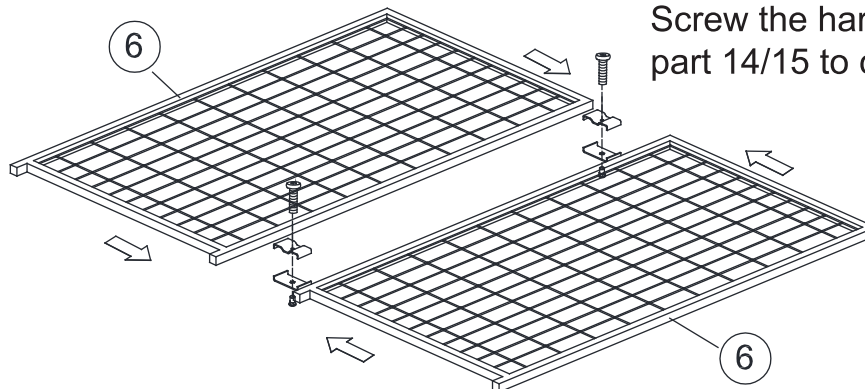
Screw the hardware C / K to the part 14/15 to connect the part 7/8.



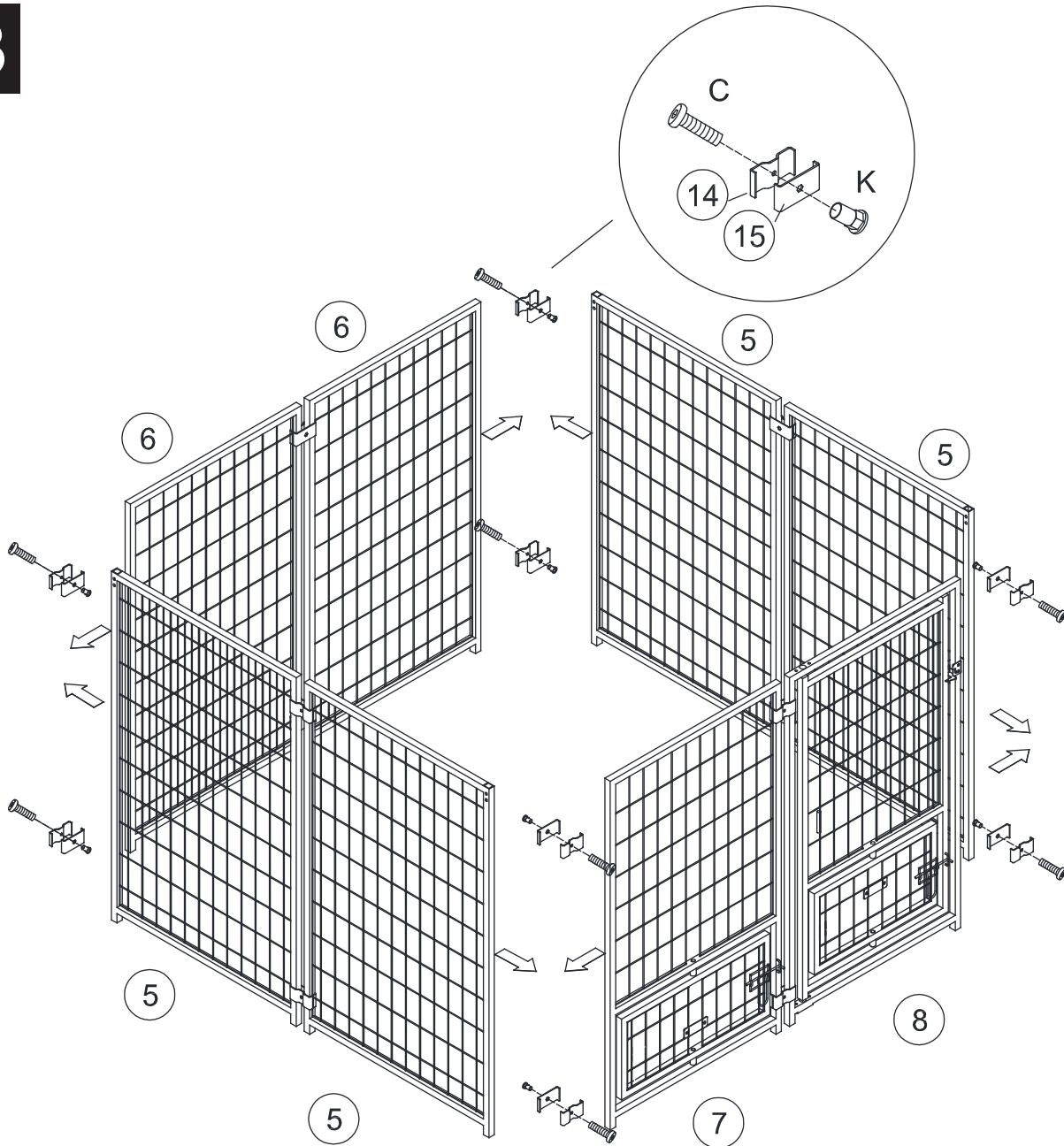
Screw the hardware C / K to the part 14/15 to connect the part 5/5.



Screw the hardware C / K to the part 14/15 to connect the part 6/6.



3

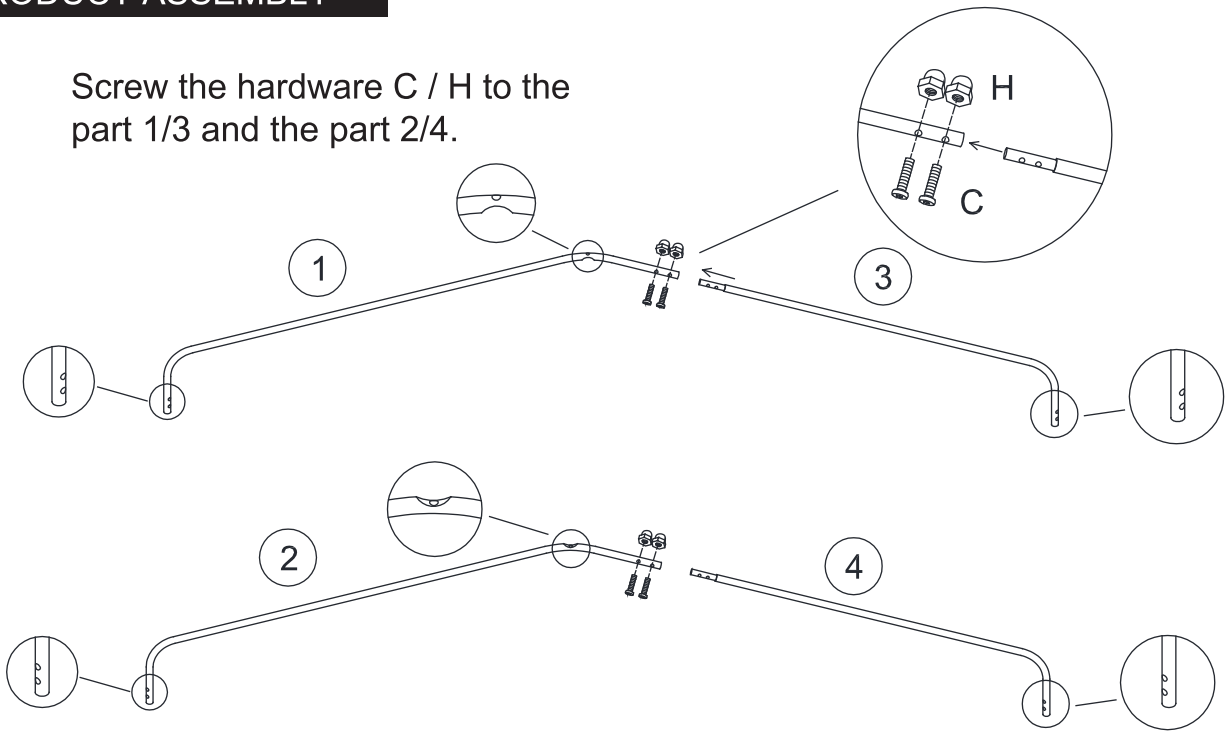


Screw the hardware C / K to the part 14/15 to connect each side as showing.

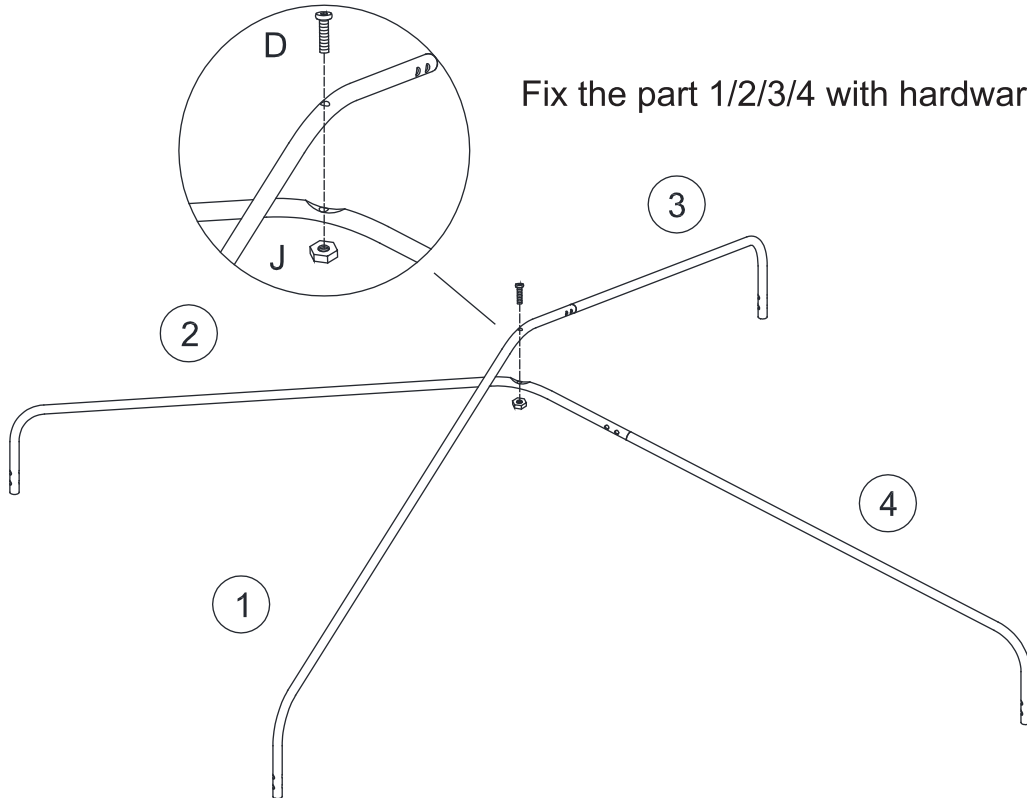
PRODUCT ASSEMBLY

4

Screw the hardware C / H to the part 1/3 and the part 2/4.



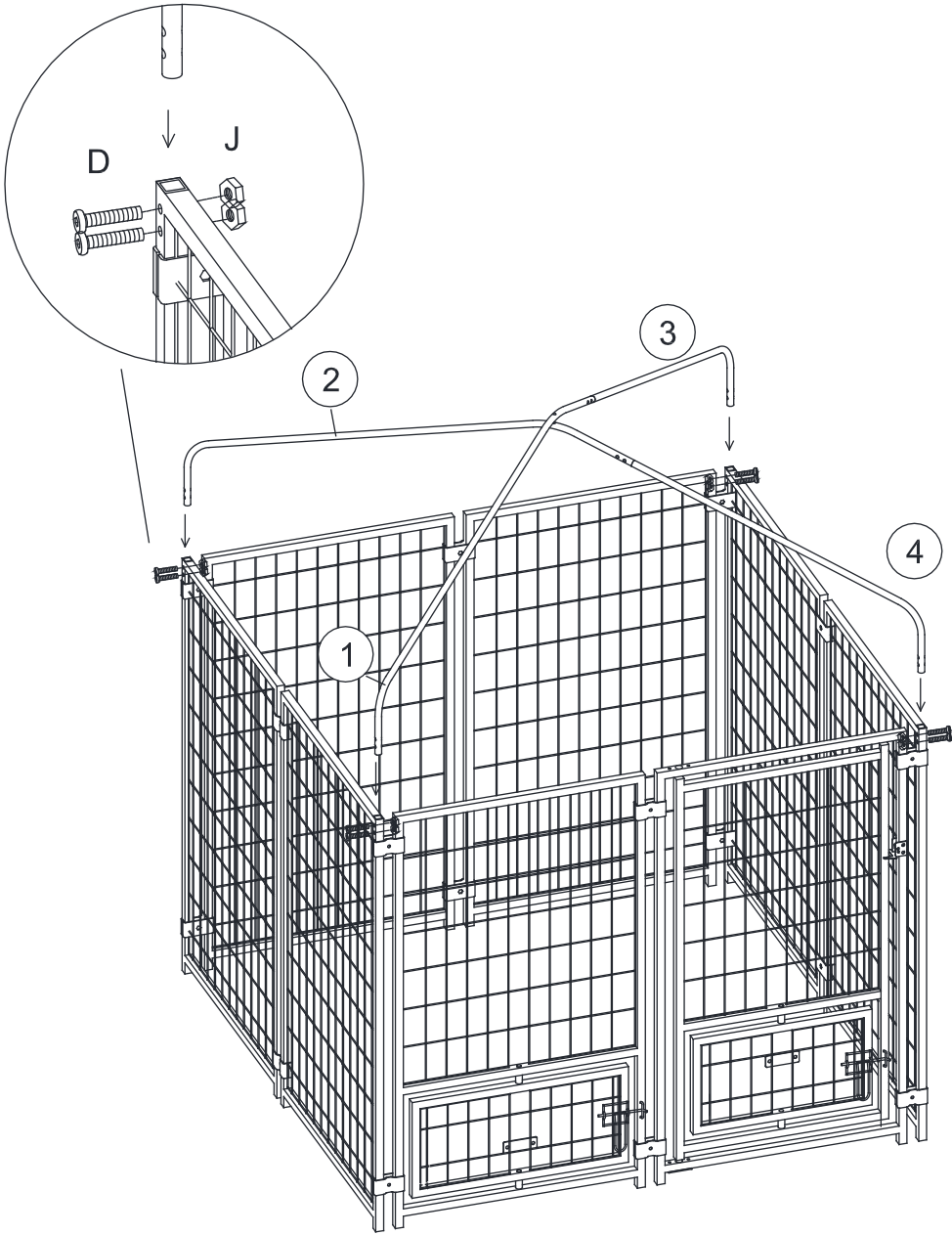
Fix the part 1/2/3/4 with hardware D/J.



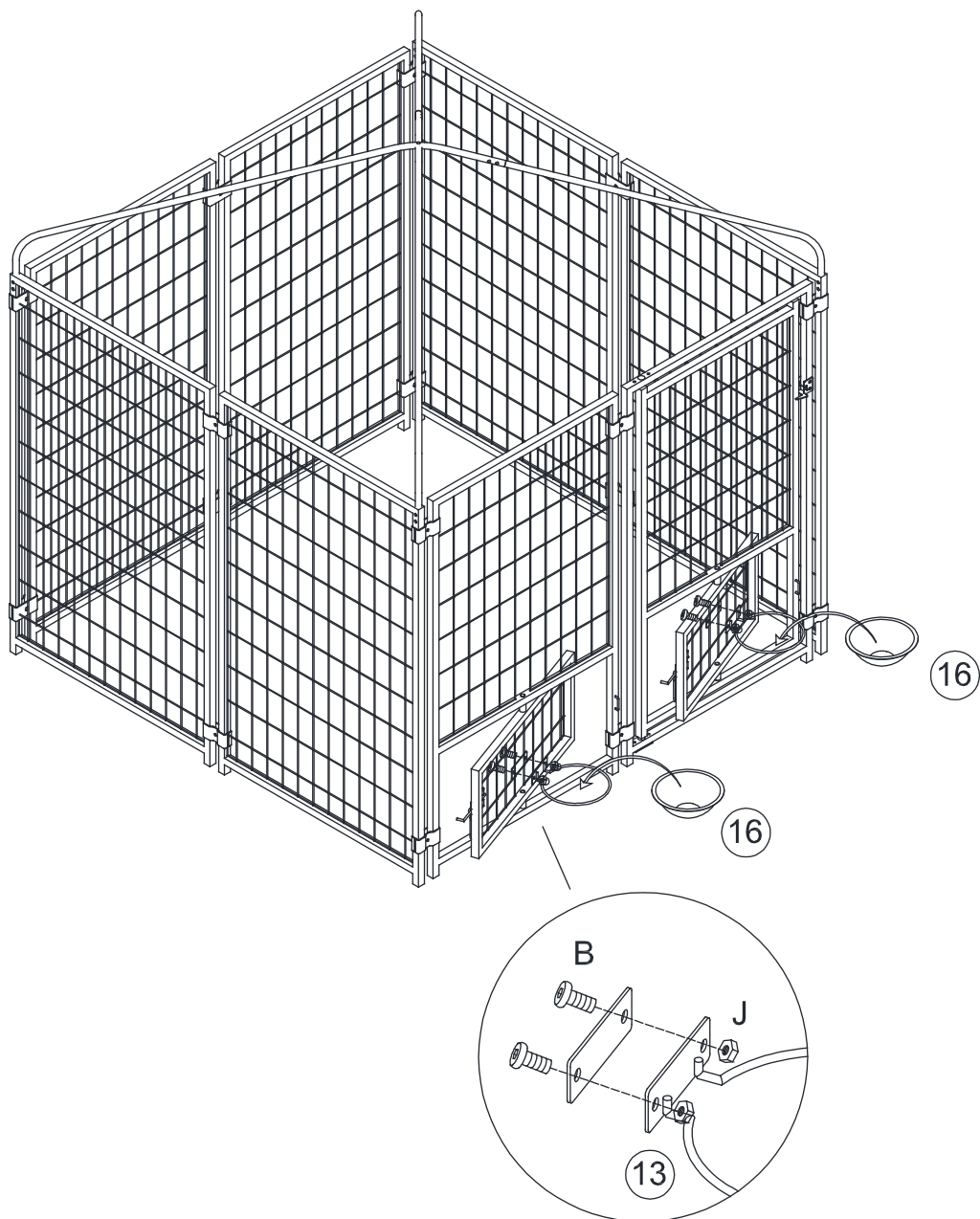
PRODUCT ASSEMBLY

5

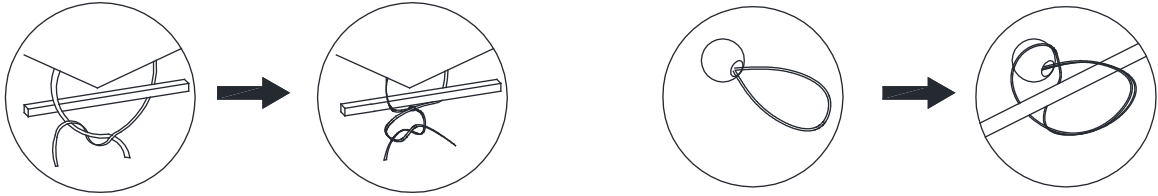
Fix the part 1/2/3/4 to the frame with hardware D/J as showing.



6



Fix the part 13 with hardware B/J as showing , and then put it on the part 16.



PRODUCT ASSEMBLY

7

Fix the part 19 with the part 20 as showing.

