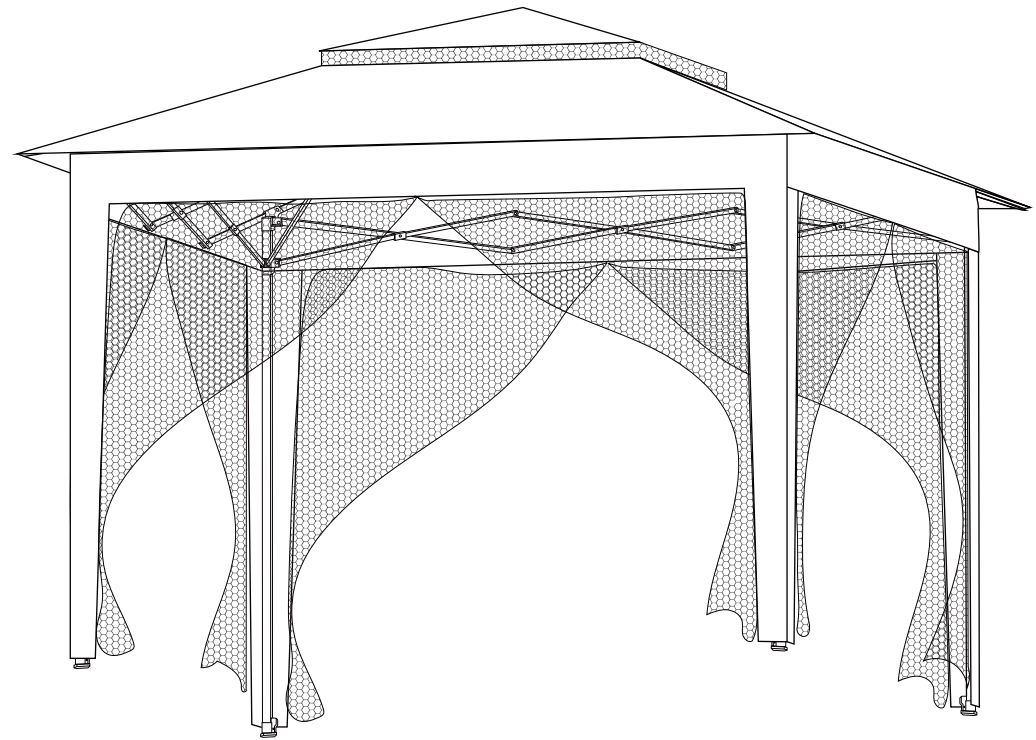








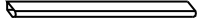

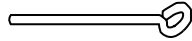

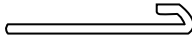
Canopy Tent G15001

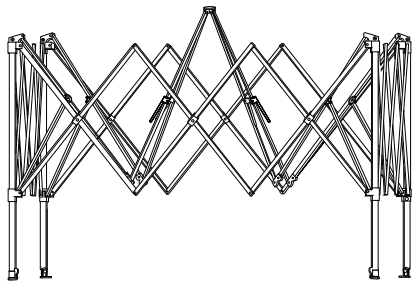
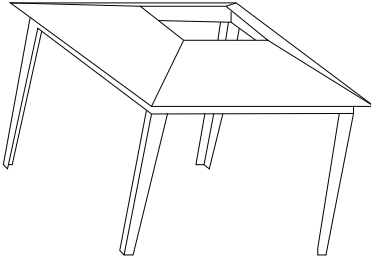
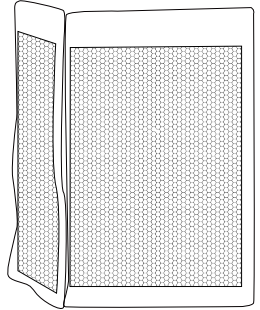
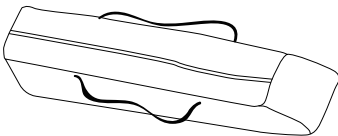
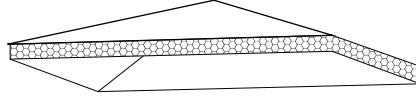


Caution

1. Take the canopy out of the box carefully and place on dry surface (sand, grass, or hard surface).
2. Please have at least 2 people helping with the assembly, in order to avoid the damage of steel pole. 
3. Secure tent in windy conditions by using the rope that is located on each side of the canopy and hammering stakes into the ground at a 30 degree angle to balance the sides of tent. If the canopy is placed on a hard surface, secure the 4 sides with bricks or sand bags to weigh the canopy down.
4. DO NOT ASSEMBLE TENTS IN RAIN, SEVERE WIND OR SNOWY WEATHER CONDITIONS, BECAUSE THIS WILL DAMAGE YOUR TENT. It is the owner's responsibility if the tents are set-up and damaged during these conditions.    
5. Store your canopy/tent in a cool dry place when not in use.

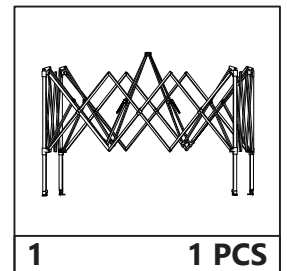
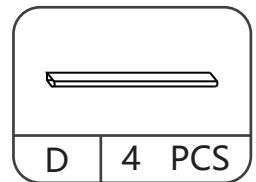
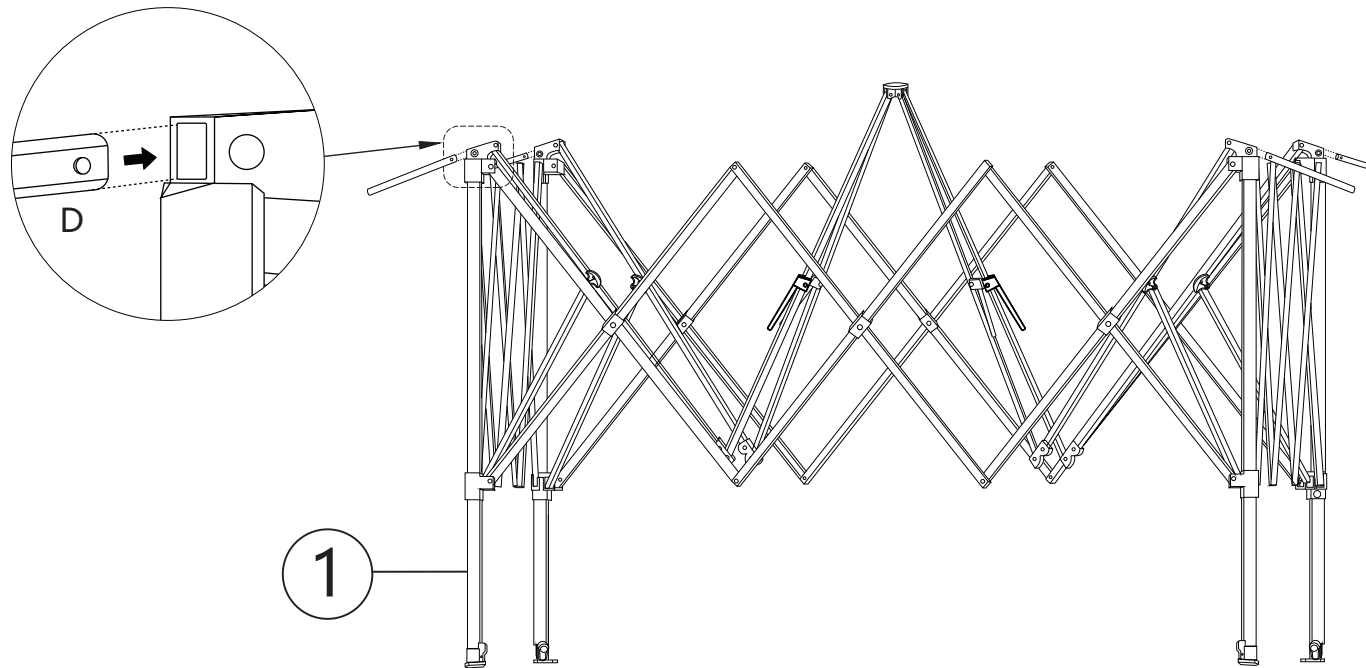
Hardware List

	
A 4 PCS	D 4 PCS
	
B 4 PCS	E 4 PCS
	
C 32 PCS	F 8 PCS

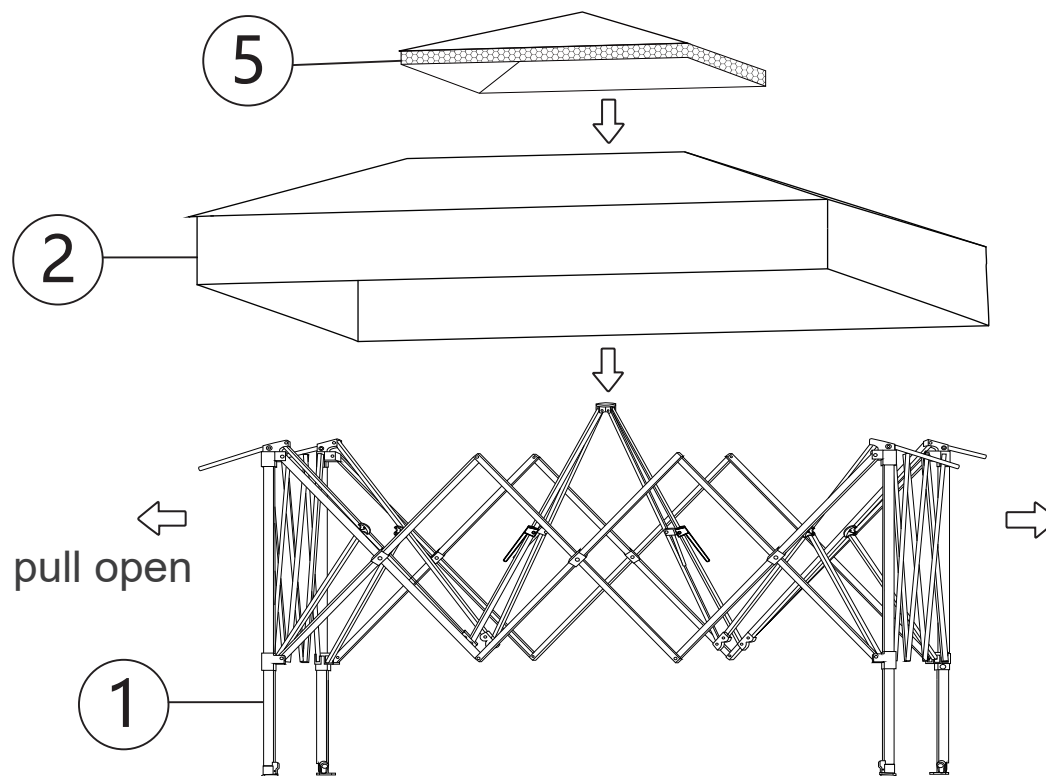
		
1 1 PCS	2 1 PCS	3 4 PCS
		
4 1 PCS	5 1 PCS	

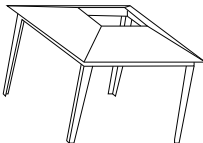

CANOPY TENT

Step 1

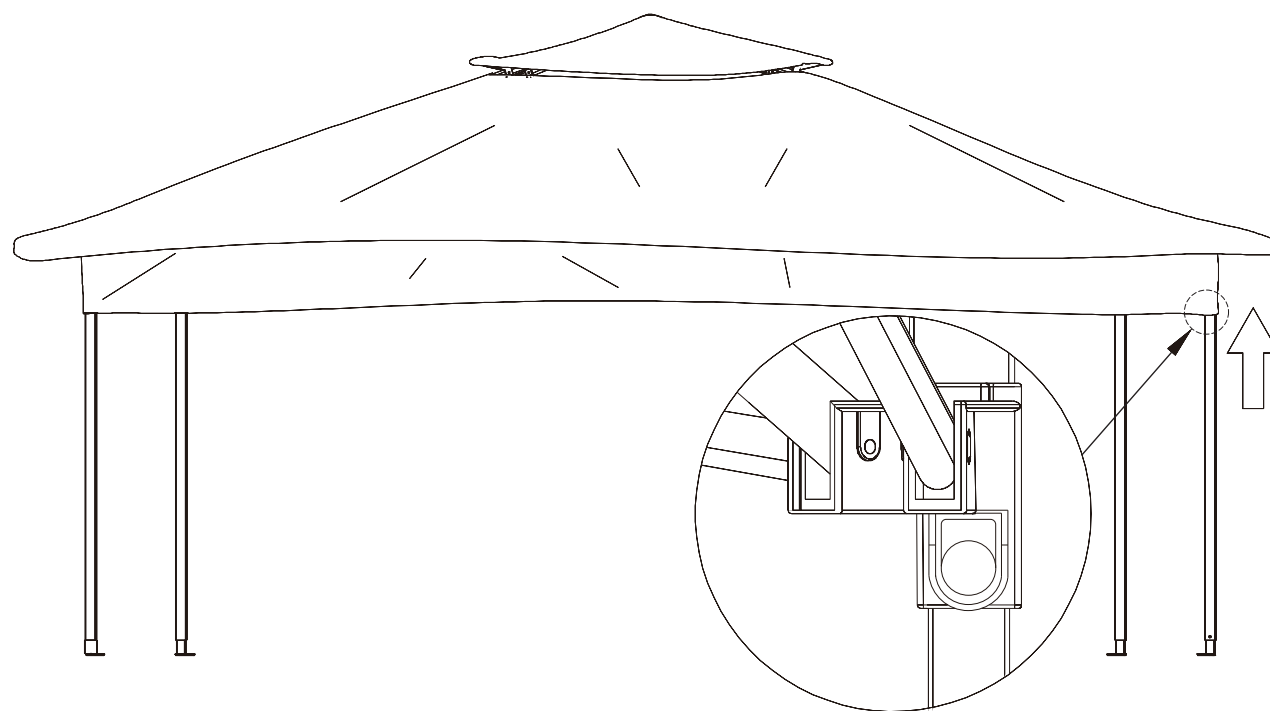


Step 2

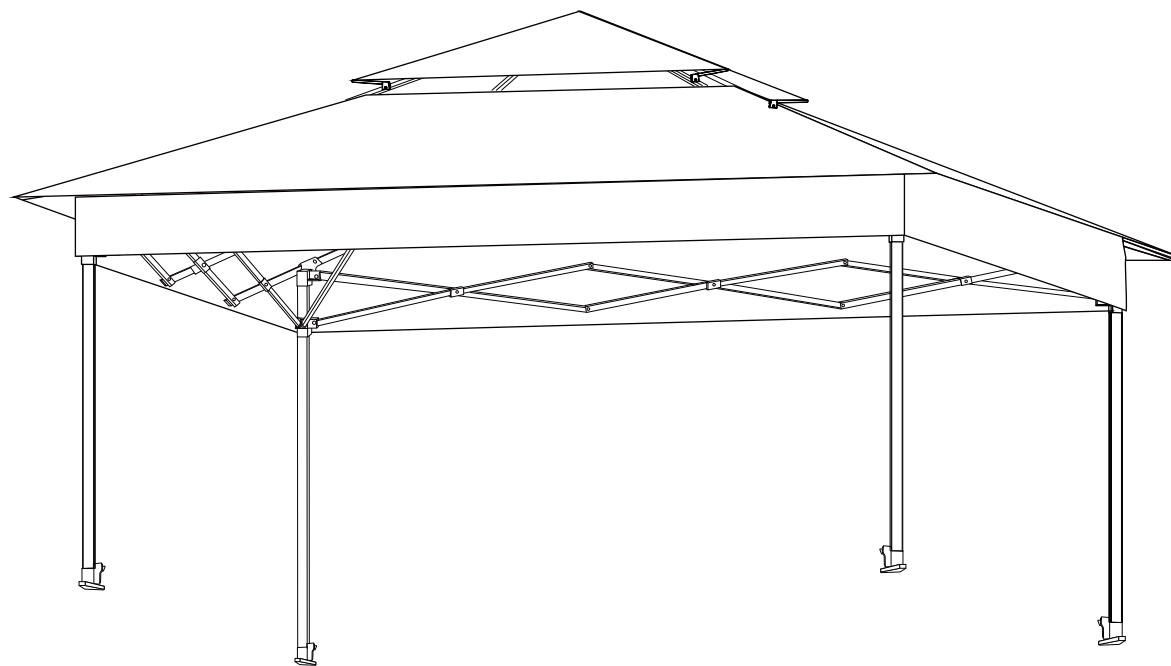


	2	1 PCS
	5	1 PCS

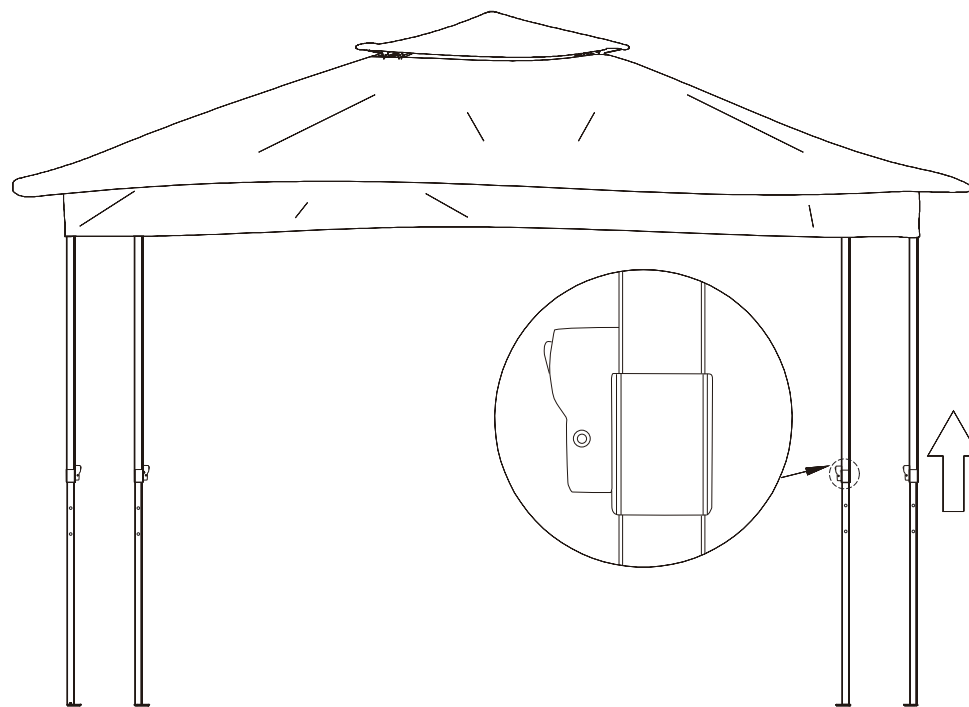
Step 3



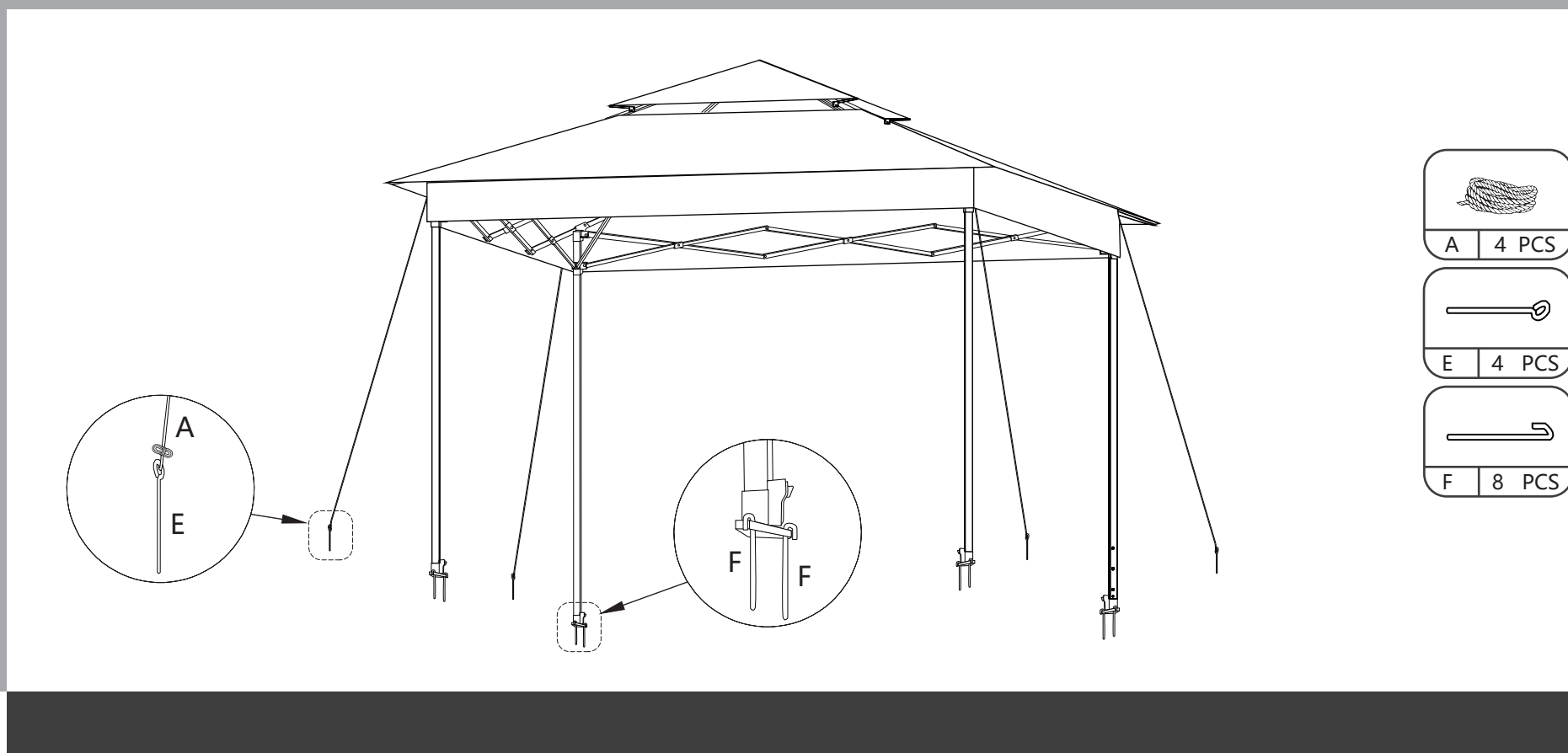
Step 4



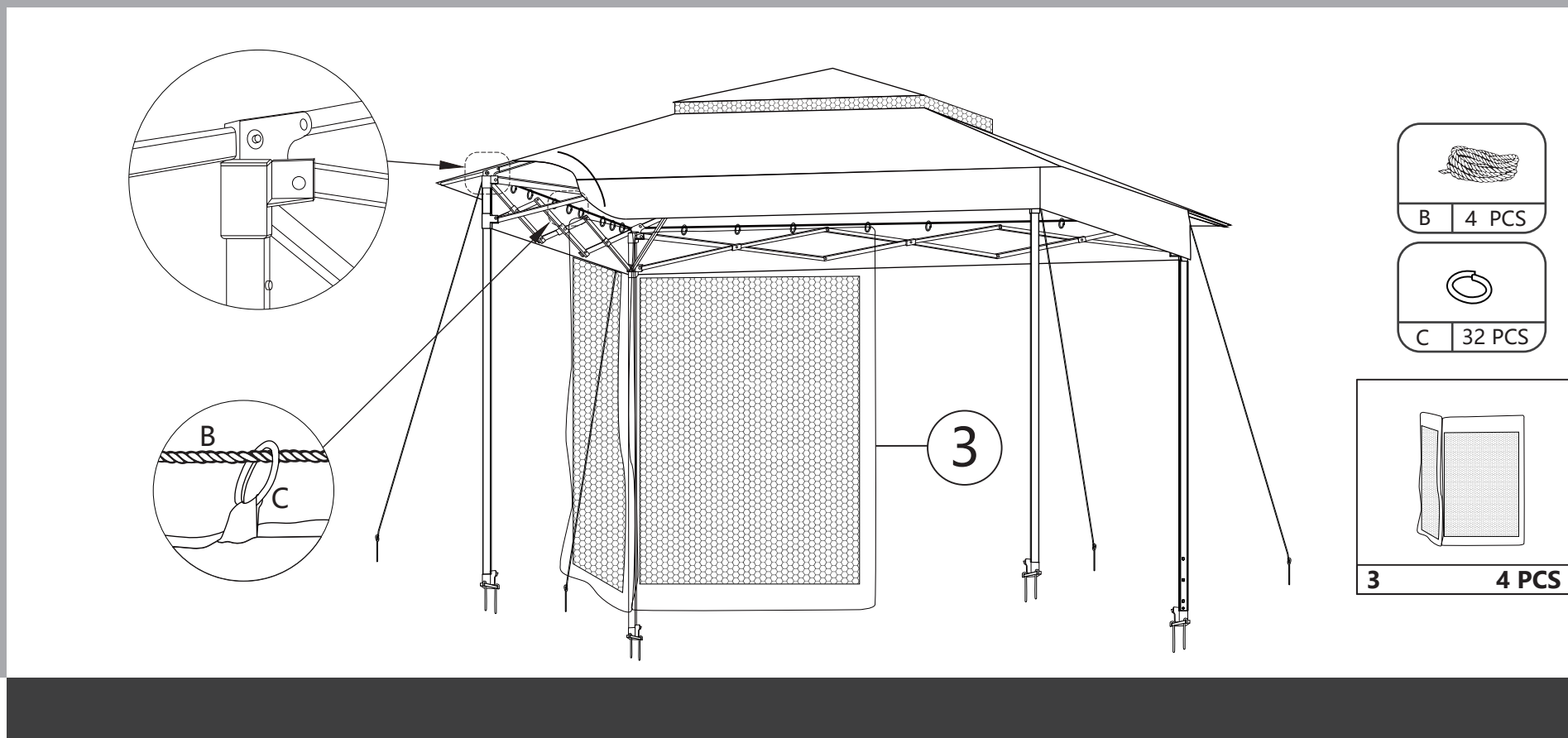
Step 5



Step 6



Step 7



Step 8

