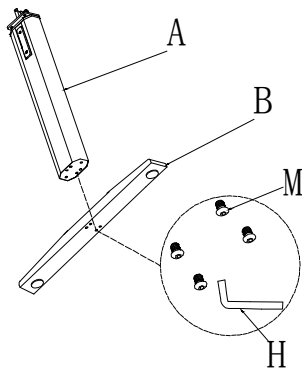
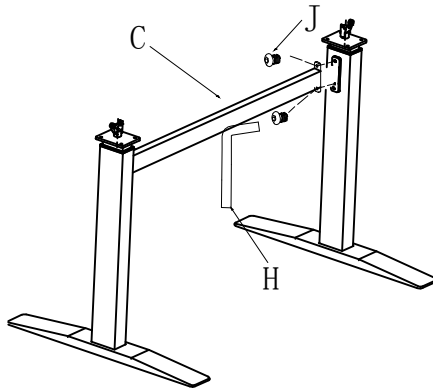


KY-D80-OA1

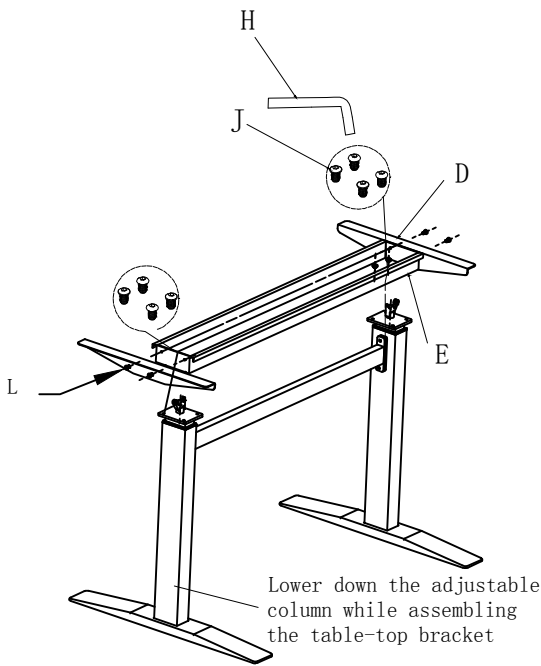
STEP 1.



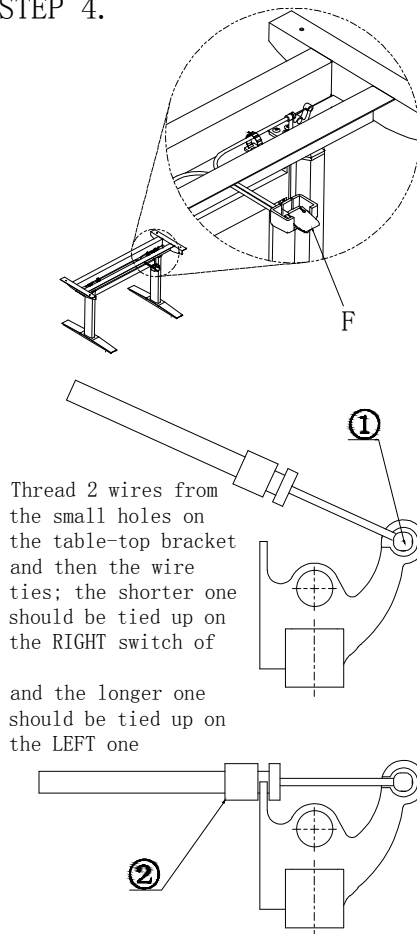
STEP 2.



STEP 3.



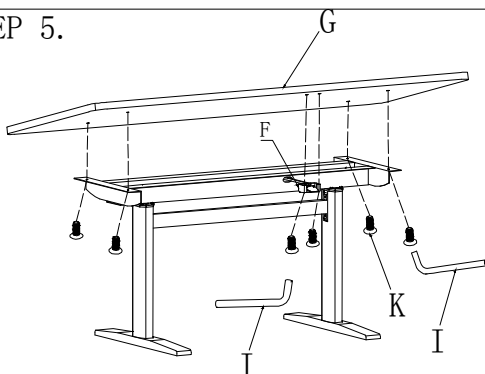
STEP 4.



PART LIST

KEY	QTY		DESCRIPTION
A	2		adjustable column
B	2		Table leg
C	1		Cross bar
D	2		Table-top mount
E	1		Table-top bracket
F	1		Wire and switch
G	1		Table top
H	1		NO. 5 hexwrench
I	1		NO. 4 hexwrench
J	12		Screw M8*12
K	6		Screw M6*16
L	4		Screw M6*10
M	8		Screw M6*14
N	2		8&10 open end wrench

STEP 5.



STEP 6.

