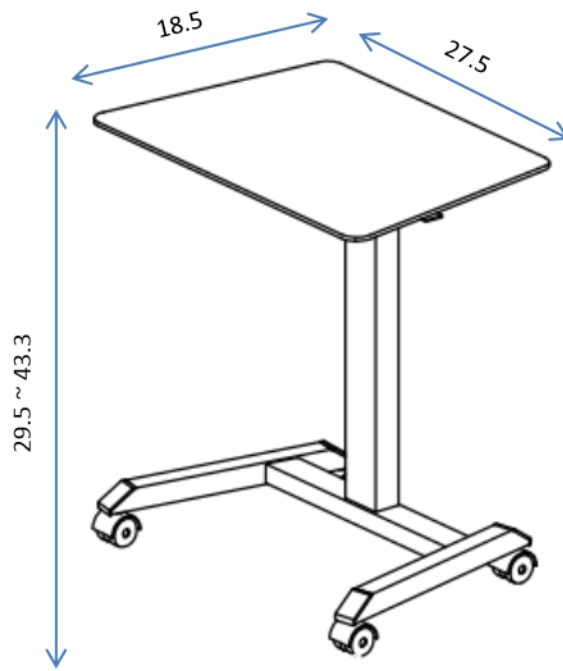


Assembly instructions

Single Column Pneumatic Height Adjustable Desk



Model# 483002

Assembly Instructions - Important:

Carefully unpack and identify each component before attempting to assemble. Refer to parts list. please take care when assembling the unit and always place the parts on a clean, soft surface.

If you don't lift for a long time, it's normal that the table can't operate at the beginning when you just start. You need to open the switch then pull or press the table.

Less than 10 lbs by one hand operation; 10 to 30 lbs by two hands operation . When the table in the locked state, Weight capacity up to 100 lbs (45 Kg).

CAUTION

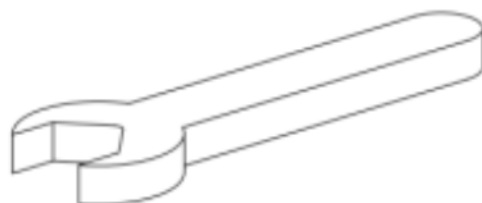
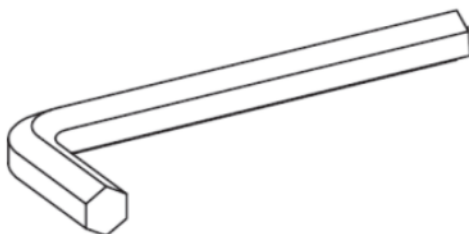
- Do not climb, sit or stand on this piece of furniture.
- Unload items from this unit prior to moving.
- Before loading or moving this unit, check all screws and supports for tightness.

Care and cleaning:

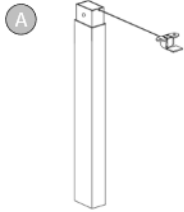
Wash Using Warm, Soapy Water: When it comes time to wash your laminate furniture, you can do so by using a mixture of liquid dish soap and warm water. Rinse with cold water and then dry with a paper towel or soft dish towel. Always rinse your laminate after cleaning. If left unrinsed, cleaning solution or soap will be left on the surface and may cause marring after long periods of time.

Tools Needed

WARNING: Hand tools should always be used to assemble your furniture to avoid damage to the furniture. Use of power tools may strip or damage the parts. Use power tools in ONLY those assembly steps where instructed to use power tools.



Identify all the components



Adjustable column
(x1)

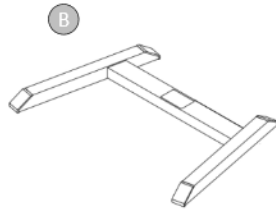


Table leg
(x1)

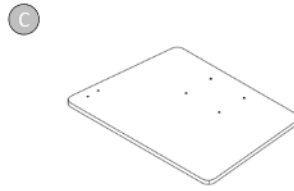


Table top
(x1)

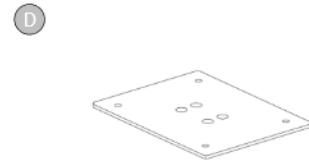
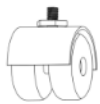


Table-top bracket
(x1)

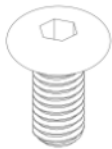
E



M8 Activity wheel
(x4)

Hardware identification

F



Screw M6*14
(x10)

G



Screw M6*10
(x4)

H



NO.4 hexwrench
(x1)

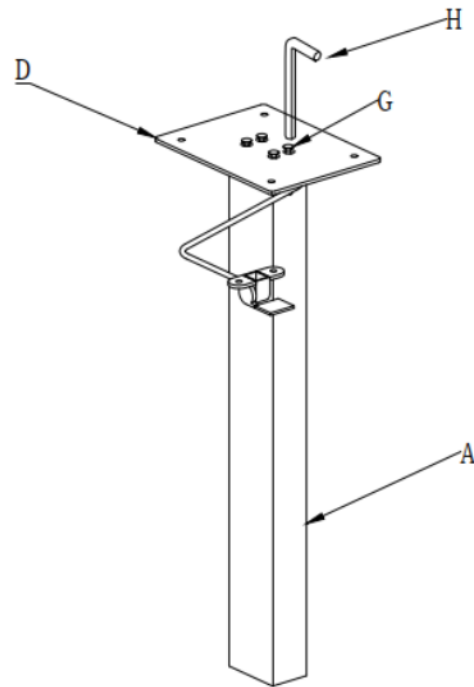
I



NO.6 Inner hexagon spanner
(x1)

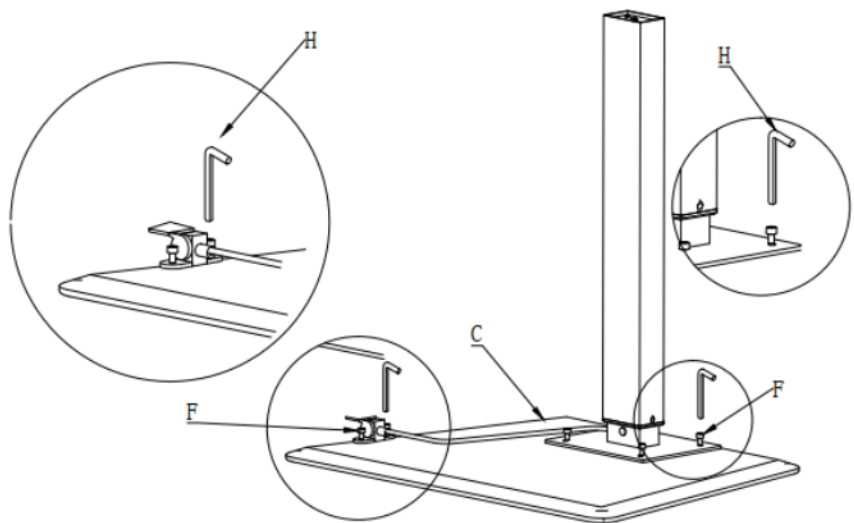
Note:

Do not tighten the screw before starting the screw at each step



Ⓒ Screw M6*12 (x4)

Ⓓ NO.4 hexwrench (x1)



Ⓕ Screw M6*14 (x6)

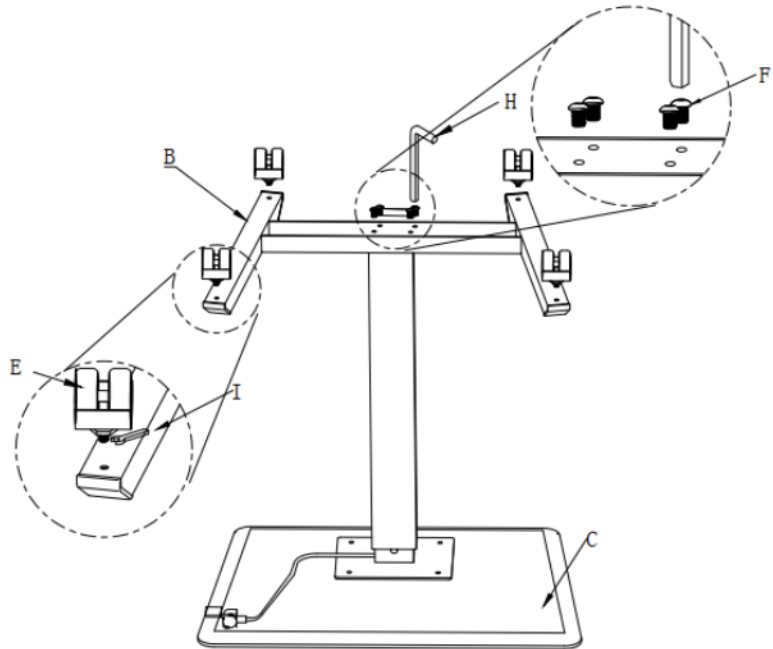
Ⓓ NO.4 hexwrench (x1)

Note:

Do not tighten the screw before starting the screw at each step

STEP 3

- Ⓕ Screw M6*14 (x4)
- Ⓖ NO.4 hexwrench (x1)
- Ⓗ NO.6 Inner hexagon spanner (x1)



HOW TO USE

Please pull up the switch, the height will be changed.
Release the switch, the height will be locked.

