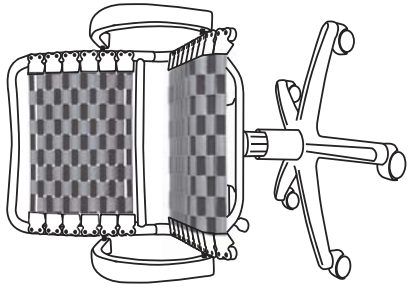
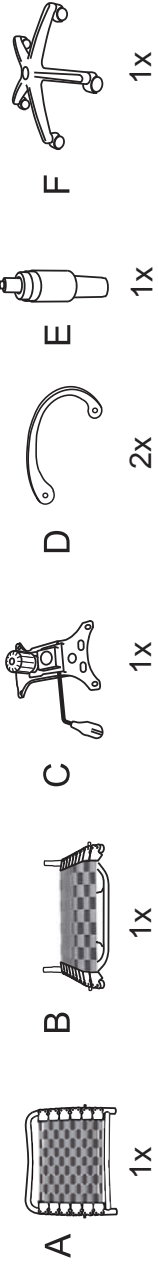


AIRWORK -15



COMPONENTS



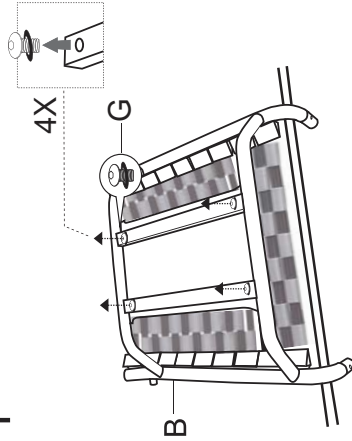
HARDWARE



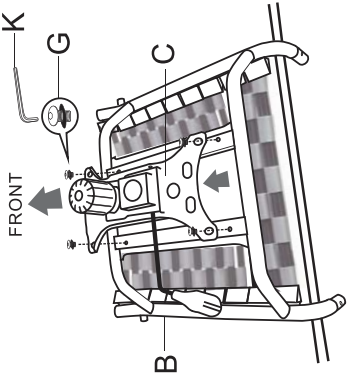
TOOLS



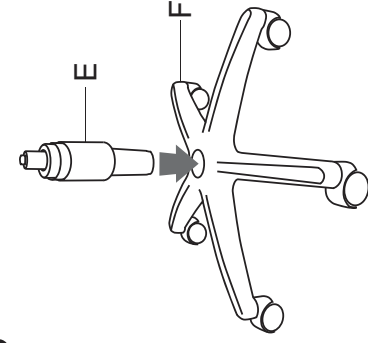
1



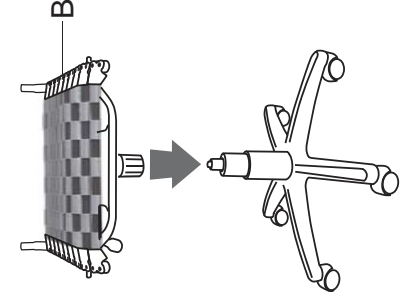
2



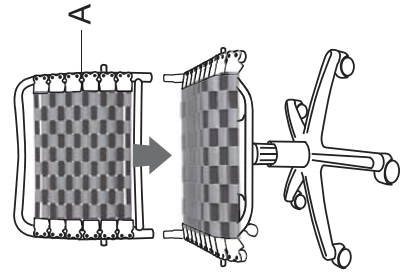
3



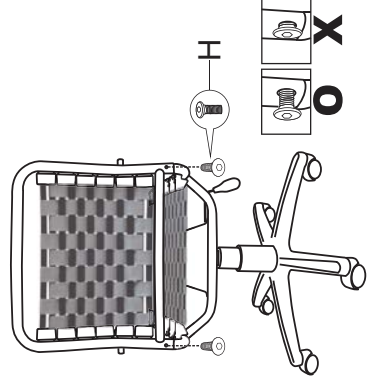
4



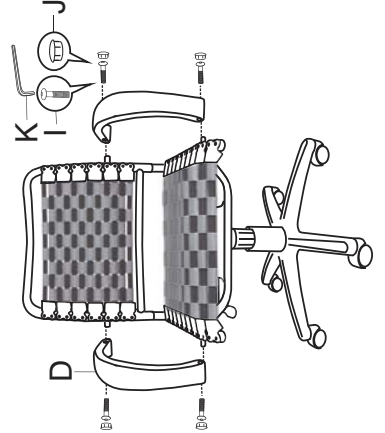
5



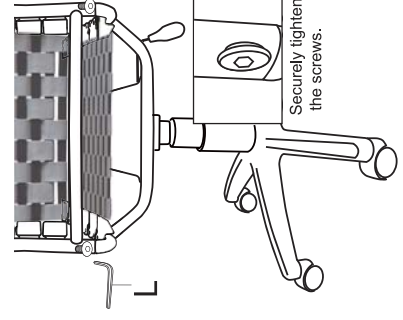
6



7



8



Securely tighten the screws.