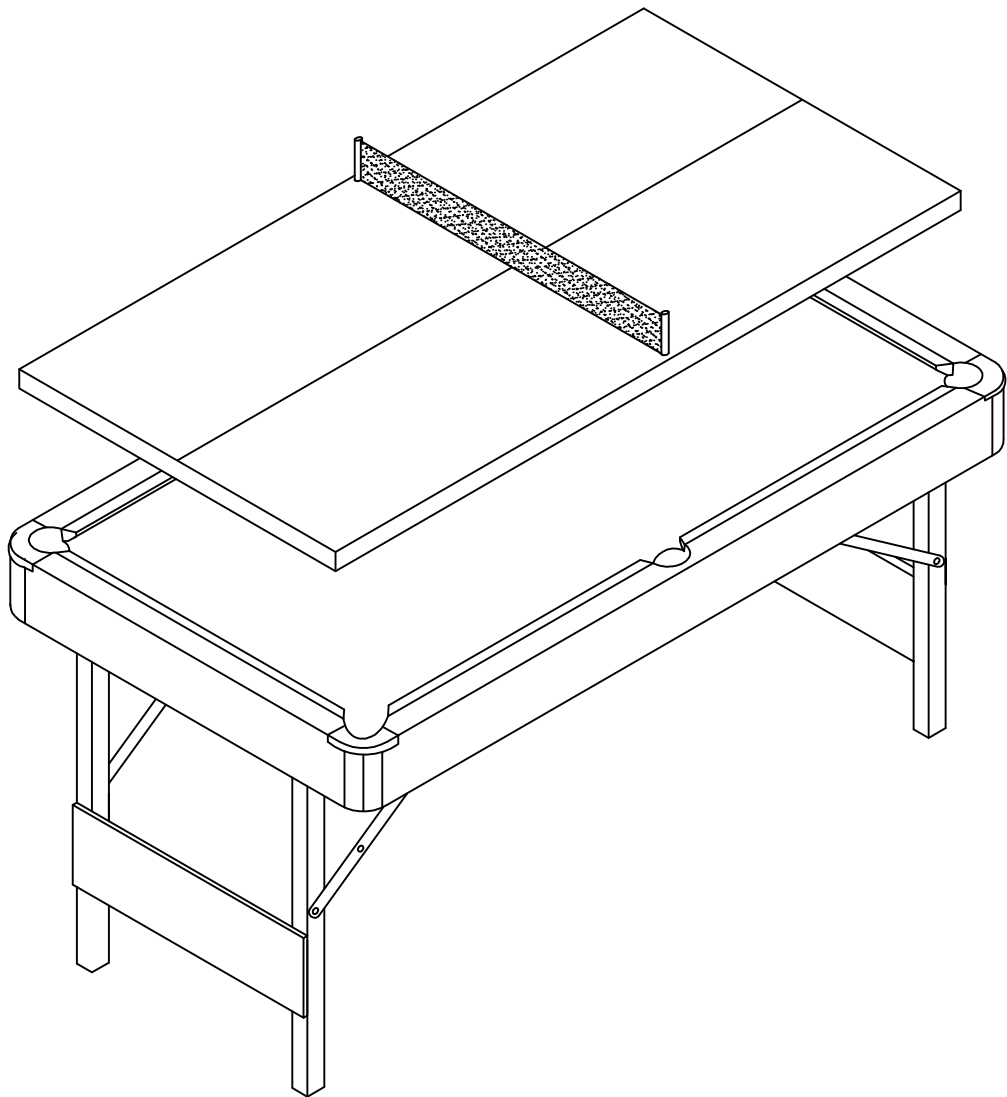


# 3 in 1

# BILLIARD TABLE

## ASSEMBLY INSTRUCTIONS

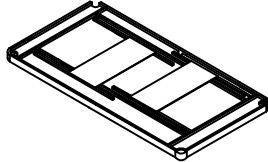
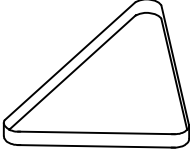
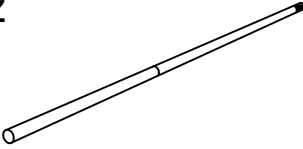
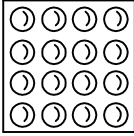
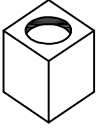
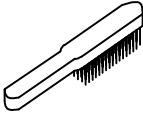

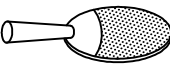
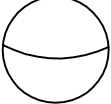
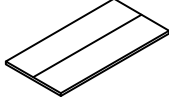
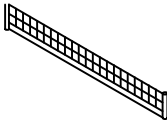
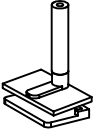
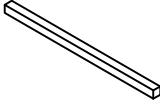


# ASSEMBLY INSTRUCTIONS

## BILLIARD TABLE ASSEMBLY

WARNING: TWO ADULTS NEEDED TO ASSEMBLE BILLIARD TABLE

### PARTS IDENTIFIER

 MAIN ASSEMBLY 1set		
A1  TRIANGLE 1pc	A2  CUE STICK 2pcs	A3  BILLIARD BALL 1set
A4  CHALK 2pcs	A5  BRUSH 1pc	A6  LEG LEVELER 4pcs
A7  TABLE TENNIS PADDLE 2 PCS	A8  TABLE TENNIS BALL 2 PCS	A9  TABLE TENNIS TOP 1 pc
A10  TABLE TENNIS NET 1 PC	A11  TABLE TENNIS POST 2 SET	A12  SUPPORT BOARD 1 PC

# ASSEMBLY INSTRUCTIONS

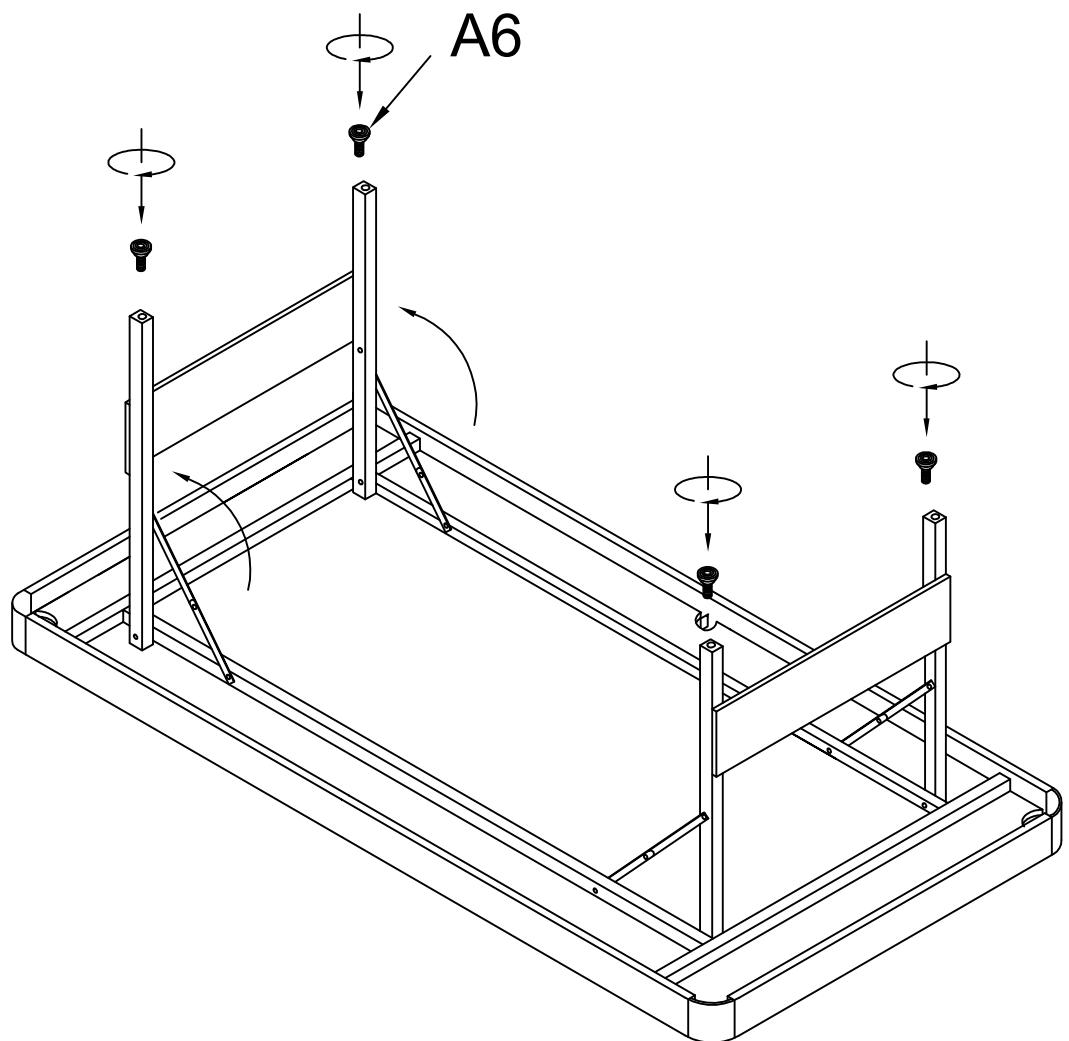
---

## BILLIARD TABLE ASSEMBLY

---

**WARNING: TWO ADULTS NEEDED TO ASSEMBLE BILLIARD TABLE**

- Step 1: Attach the leg levelers to the bottom of the legs so that the table will stay stable even when you are playing on an uneven floor.
- Step 2: Turn the Table to the correct position, and you can start enjoying the game with your family and friends.



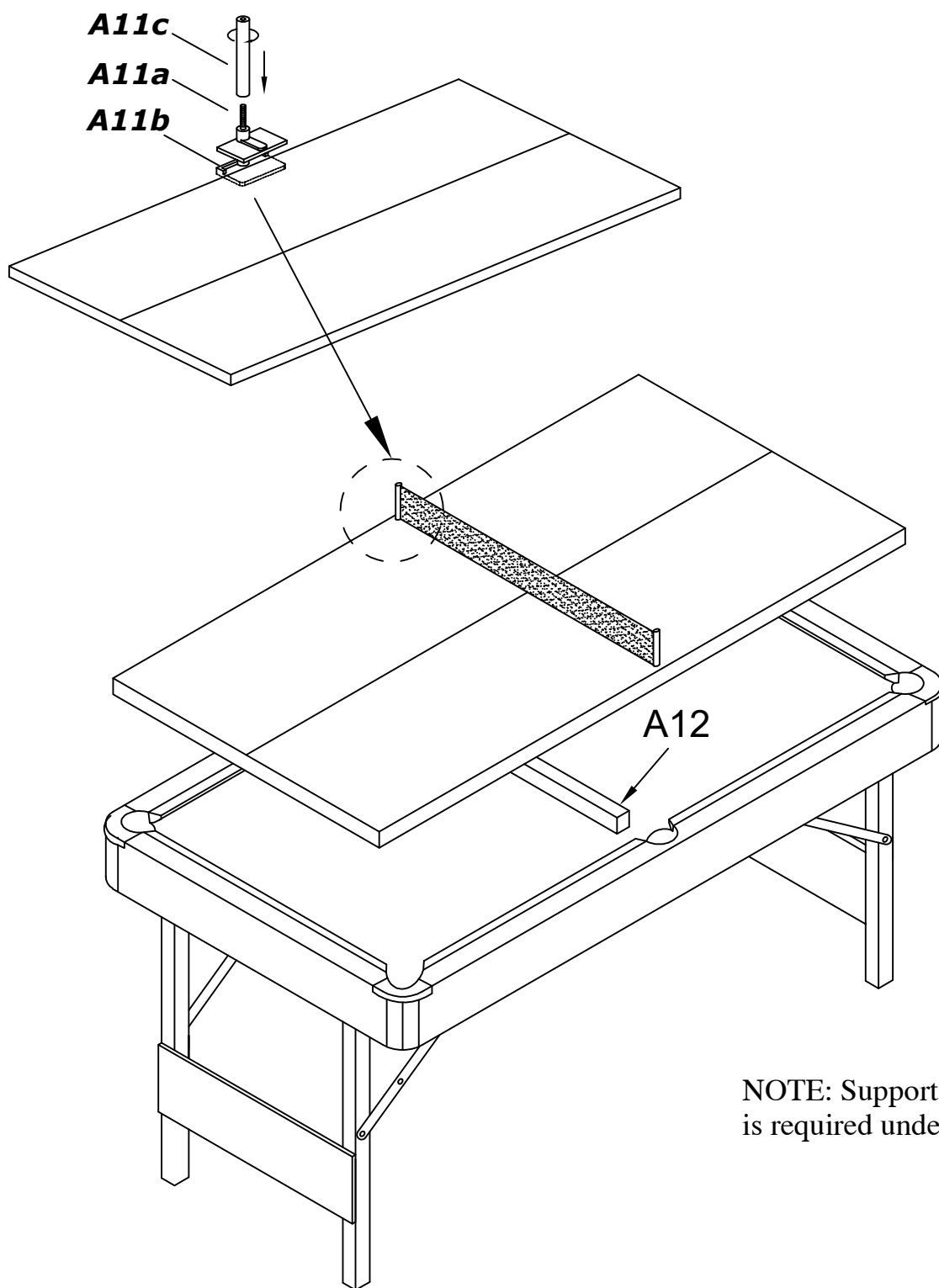
# ASSEMBLY INSTRUCTIONS

---

## BILLIARD TABLE ASSEMBLY

---

**WARNING: TWO ADULTS NEEDED TO ASSEMBLE BILLIARD TABLE**



**NOTE: Support Board, A12  
is required under tennis table top**