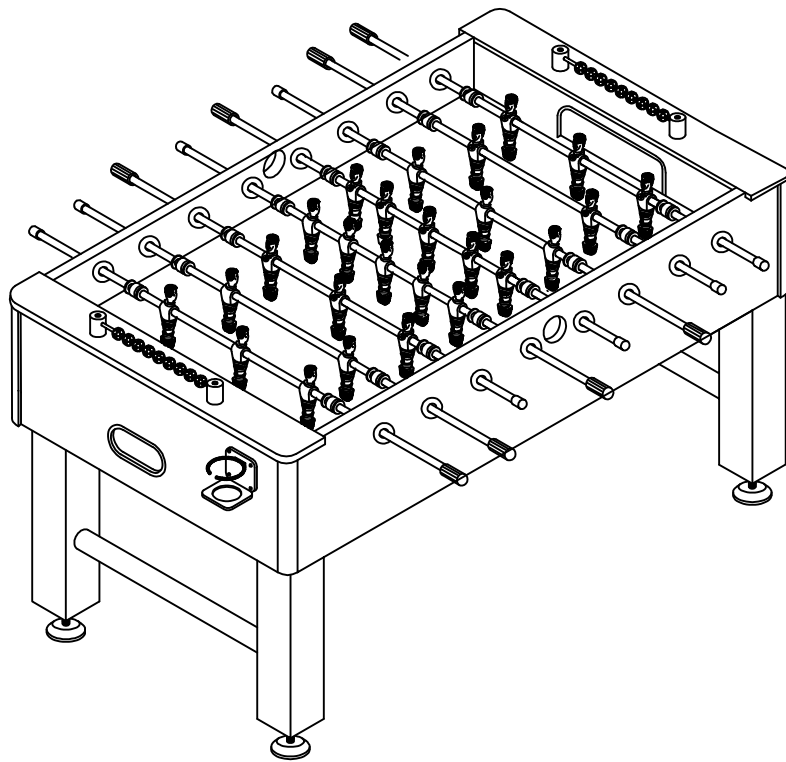


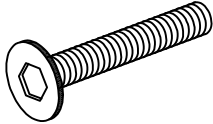
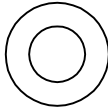
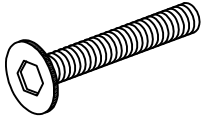
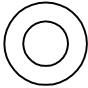
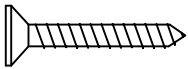
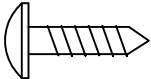
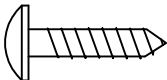
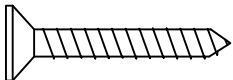
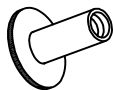
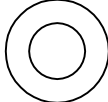
TABLE SOCCER

ASSEMBLY INSTRUCTIONS





PARTS IDENTIFIER

HARDWARE

	DESCRIPTION	QTY. REQUIRED (EXTRA PIECES MAY BE INCLUDED)
	H1 5/16"x1-5/8" BOLT	16
	H2 5/16" WASHER,	16
	H3 1/4"x 2-1/2" BOLT	8
	H4 1/4" WASHER,	8
	H5 1-1/8 FLAT HEAD PHILLIPS SCREW	16
	H6 1/2"ROUND HEAD PHILLIPS SCREW	4
	H7 5/8"ROUND HEAD PHILLIPS SCREW	10
	H8 1-3/4"FLAT HEAD PHILLIPS SCREW	4
	H9 1/4"x1/2" NUT	6
	H10 5/16" WASHER (black)	6

ACCESSORIES

QTY

	A1 SOCCER BALL	4
	A2 TOOL	2

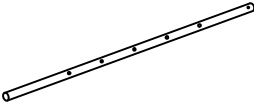
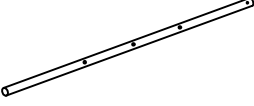
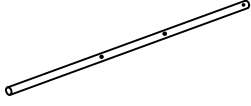
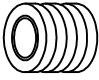
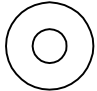
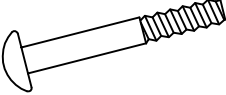
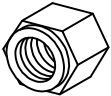

PARTS IDENTIFIER

ASSEMBLY PARTS

		DESCRIPTION	QTY
	P1	SIDE PANEL	2
	P2	END PANEL	2
	P3	PLAYING FIELD	1
	P4A	LEG A	2
	P4B	LEG B	2
	P5	PLAYFIELD SUPPORT BRACE	3
	P6	28-3/4" BOLT	3
	P7	HANDLE	8
	P8	ROD END CAP	8
	P9A	BALL ENTRY CUP	2
	P9B	BALL ENTRY SOCKET	2
	P10	LEG LEVELER	4
	P11	SLIDE SCORER	2
	P12	CROSS BAR	2
	P13	CUP HOLDER	2
	P14	CORNER	4

PARTS IDENTIFIER

REPLACEMENT PARTS

		DESCRIPTION	QTY
	C1	5 PLAYER ROD	2
	C2	3 PLAYER ROD	4
	C3	2 PLAYER ROD	2
	C4	RUBBER BUSHING	16
	C5	PLASTIC ROD WASHERS	16
	C6	BOLT(used to install men)	26
	C7	LOCKING NUT (used to install men)	26
	C8	HOME MEN	13
	C9	AWAY MEN	13

ASSEMBLY INSTRUCTIONS

SOCCER TABLE ASSEMBLY

WARNING: TWO ADULTS NEEDED TO ASSEMBLE SOCCER TABLE

1. ATTACH THE TWO END PANELS **P2** TO THE SIDE PANELS **P1** AS SHOWN IN **figure 1**.
2. ATTACH THE CORNER IN THE SIDE AND ENDS PANEL, AS SHOWN IN **figure 1**.

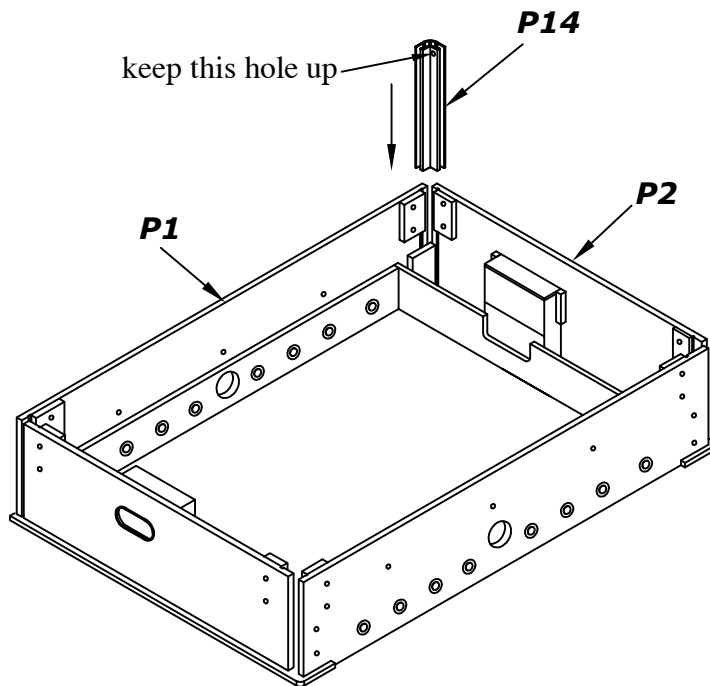


FIGURE 1

3. ATTACH THE END PANELS WITH BOLTS **H3** AND WASHERS **H4** AS SHOWN IN **figure 2**. Do not over-tighten hardware!

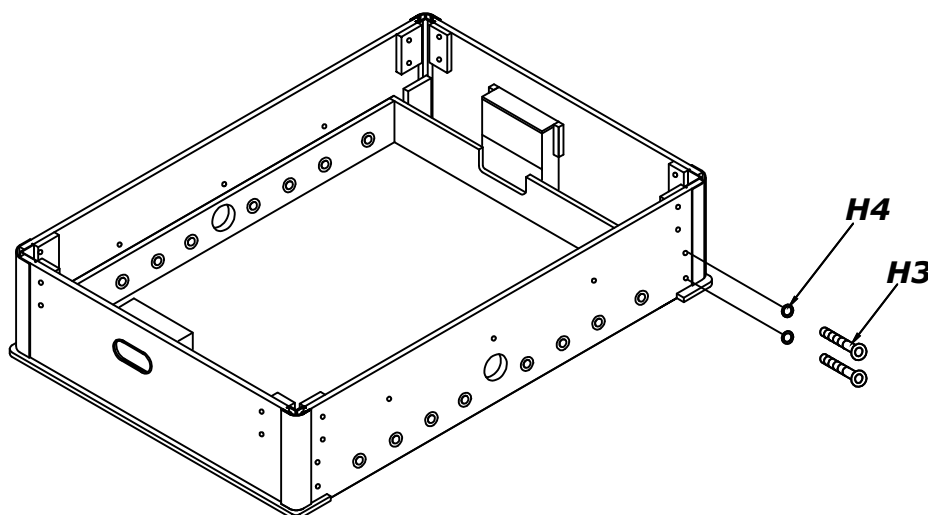


FIGURE 2

ASSEMBLY INSTRUCTIONS

SOCCER TABLE ASSEMBLY

WARNING: TWO ADULTS NEEDED TO ASSEMBLE SOCCER TABLE

4. ATTACH PLAY FIELD WITH SCREWS **H5** AS SHOWN IN **figure3**.

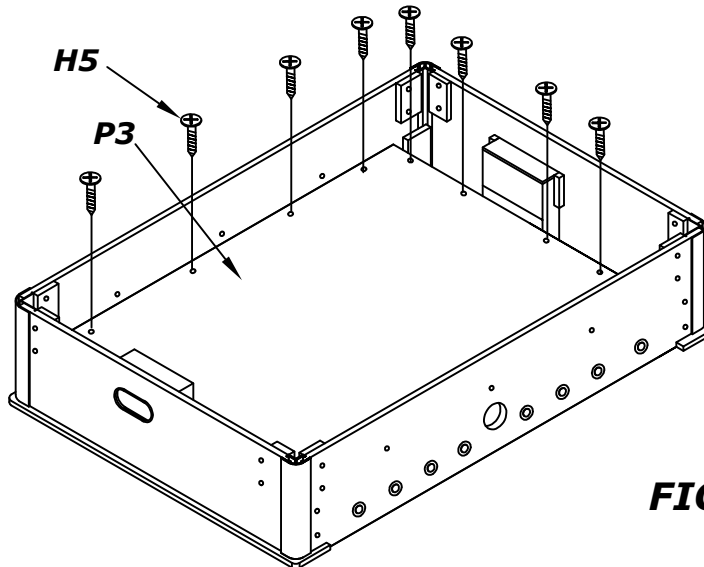


FIGURE 3

5. PLACE THE PLAYFIELD SUPPORT BRACES **P5** ON THE BOTTOM OF THE PLAYFIELD. INSERT SUPPORT RODS **P6** THROUGH THE HOLE IN THE SIDE PANEL **P1** AND THE GROOVE IN THE PLAYFIELD SUPPORT BRACES **P5** AS SHOWN IN **FIGURE 4**. PLACE WASHERS **H10** AND LOCK NUTS **H9** ON EACH END OF SUPPORT RODS **P6**. SEE **FIGURE 4**. DO NOT OVER-TIGHTEN HARDWARE! ATTACH THE CORNER WITH SCREW **H6**.

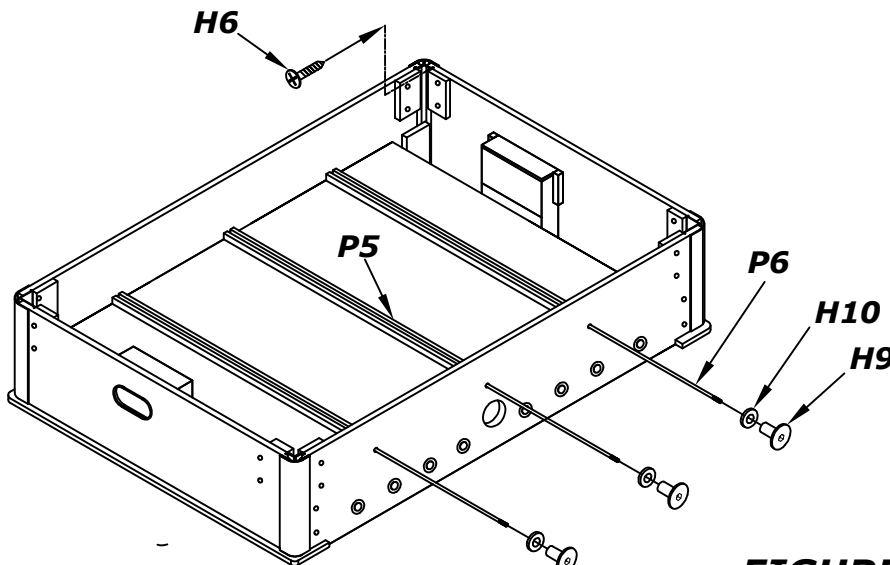


FIGURE 4

First, twist one nut into a little bit (don't screw too much), then insert it from one side, one person hold it with his hand, and the other person twist the other nut from the other end.

ASSEMBLY INSTRUCTIONS

SOCCKER TABLE ASSEMBLY

WARNING: TWO ADULTS NEEDED TO ASSEMBLE SOCCER TABLE

6. INSERT CROSS BAR **P12** INTO LEGS AS SHOWN IN **FIGURE 5**.
ATTACH THE LEGS **P4A&P4B** AS SHOWN IN **figure 5** .
THE LEGS ARE ATTACHED WITH BOLTS **H1** AND WASHERS **H2**.
7. ATTACH THE LEG LEVELERS **P10** AS SHOWN IN **figure 5**.
Tighten all the hardware before next steps !

WARNING

This step requires two adults!
Very carefully turn the table over . Be careful!

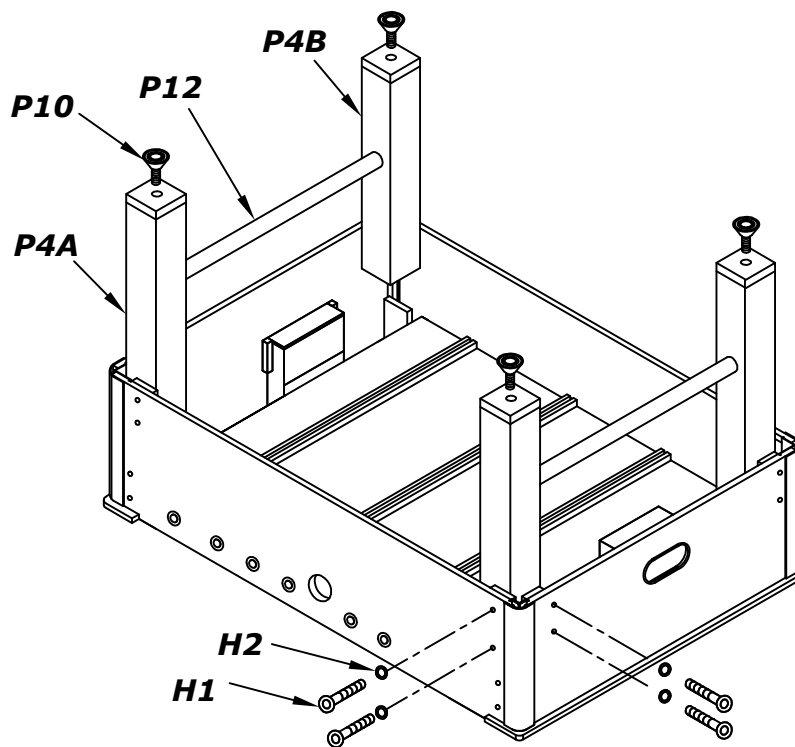


FIGURE 5

ASSEMBLY INSTRUCTIONS

SOCCER TABLE ASSEMBLY

WARNING: TWO ADULTS NEEDED TO ASSEMBLE SOCCER TABLE

8. ATTACH BALL ENTRY CUPS **P9A** AND BALL ENTRY SOCKET **P9B** TO THE SIDE PANELS WITH SCREWS **H7** AS SHOWN IN **figure 6**. ATTACH THE TWO SETS OF SLIDE SCORER **P11** TO THE END OF TABLE WITH SCREWS **H8**. ATTACH CUP HOLDER **P13** WITH SCREWS **H7**.
9. INSERT THE PLAYER RODS **C1&C2&C3** THROUGH ONE SIDE PANEL, THEN INSERT PLAYERS **C8&C9**, RUBBER BUSHINGS **C4**, PLASTIC WASHERS **C5** THROUGH THE ROD, THEN INSERT THE PLAYER ROD THROUGH OTHER SIDE PANEL, ATTACH THE PLAYERS **C8&C9** WITH BOLTS **C6** AND NUTS **C7**. SEE **Figure 6**.
10. SLIDE THE HANDLES **P7** ONTO THE ENDS OF THE RODS WITH THE HOLE CLOSE TO THE END. SLIDE THE RUBBER CAPS **P8** ON THE OTHER END OF THE ROD.

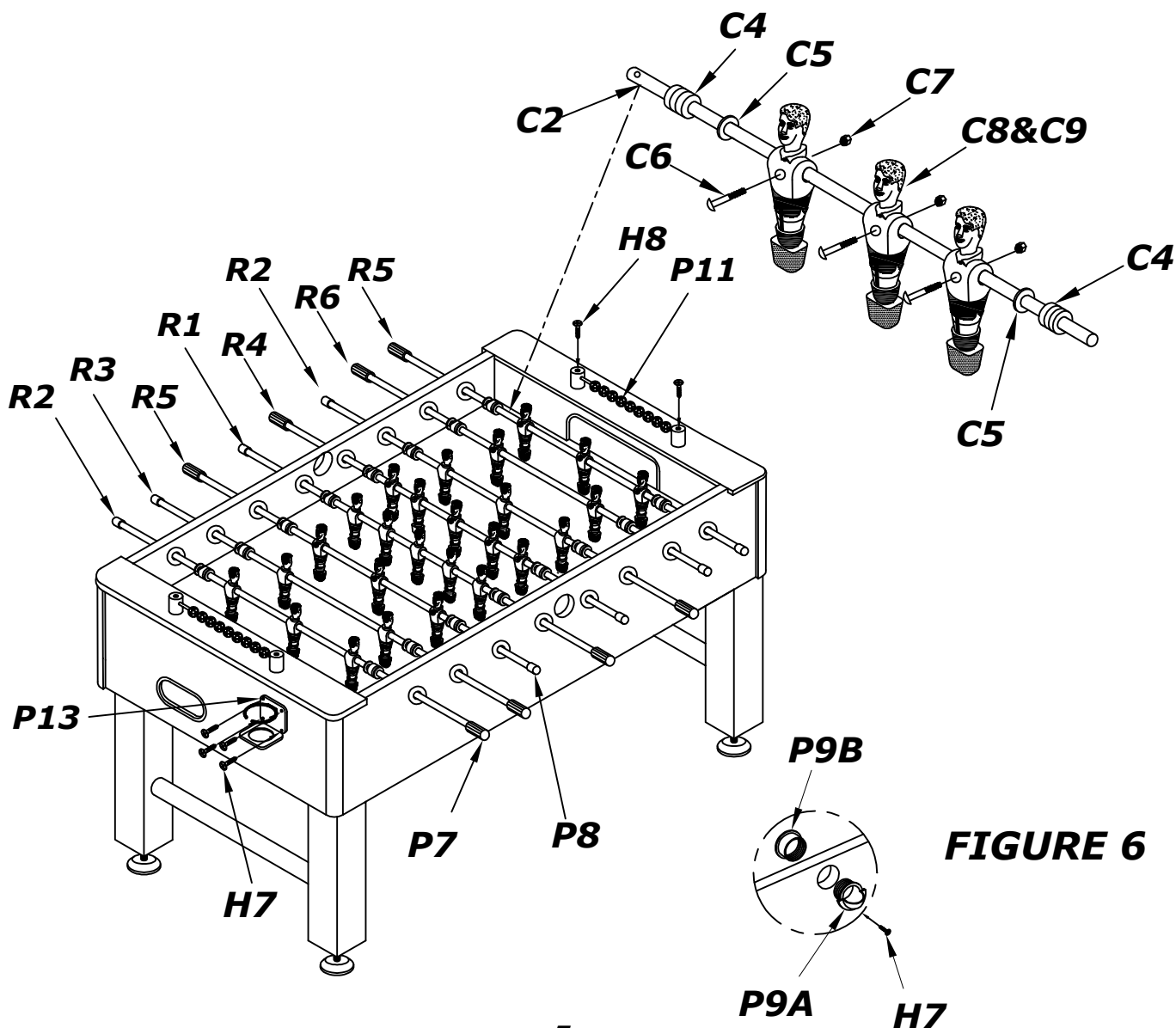
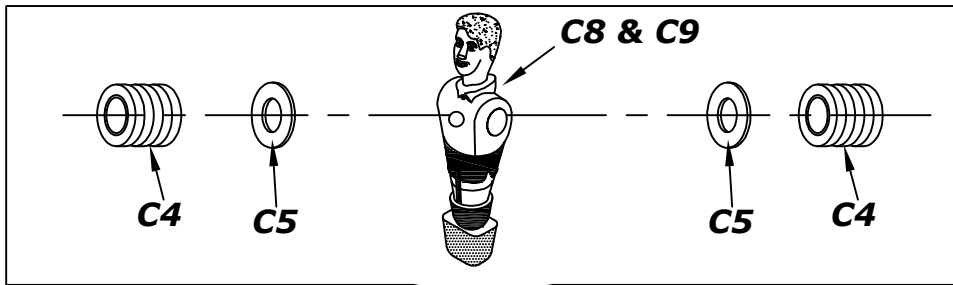
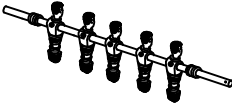
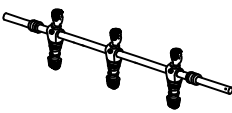
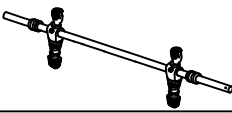
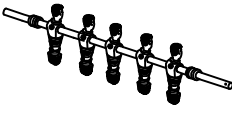
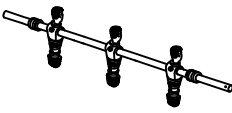
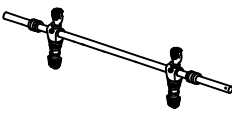


FIGURE 6

ASSEMBLY INSTRUCTIONS

SOCCER TABLE ASSEMBLY



		<i>QTY</i>
	R1 5 HOME PLAYERS ROD	1
	R2 3 HOME PLAYERS ROD	2
	R3 2 HOME PLAYERS ROD	1
	R4 5 AWAY PLAYERS ROD	1
	R5 3 AWAY PLAYERS ROD	2
	R6 2 AWAY PLAYERS ROD	1