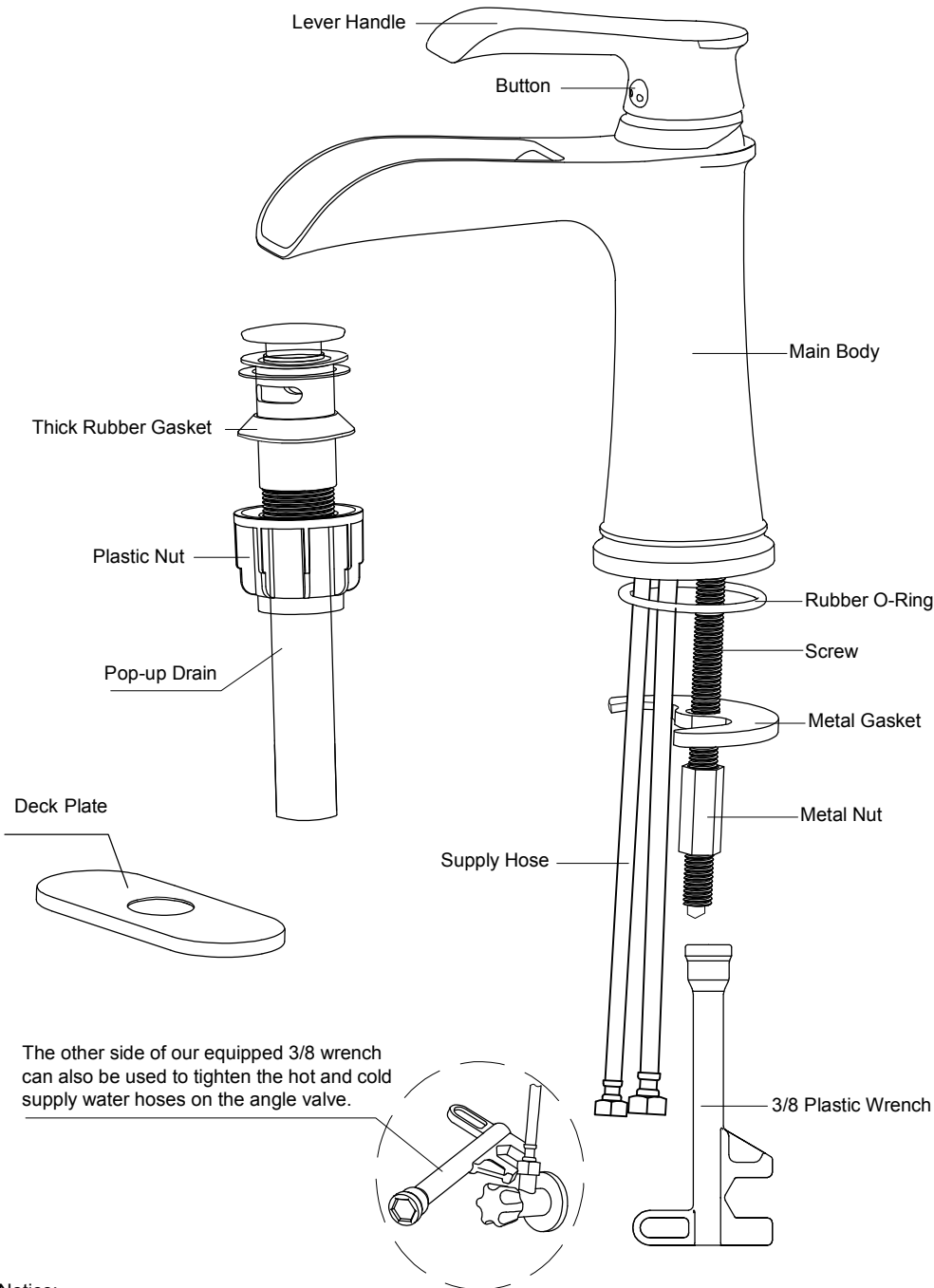
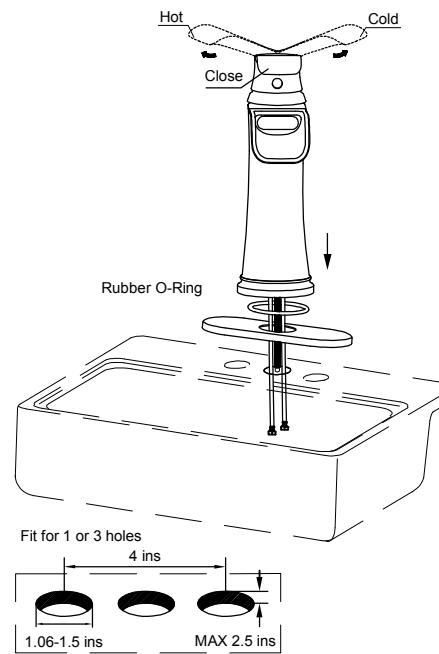


Installation Rendering



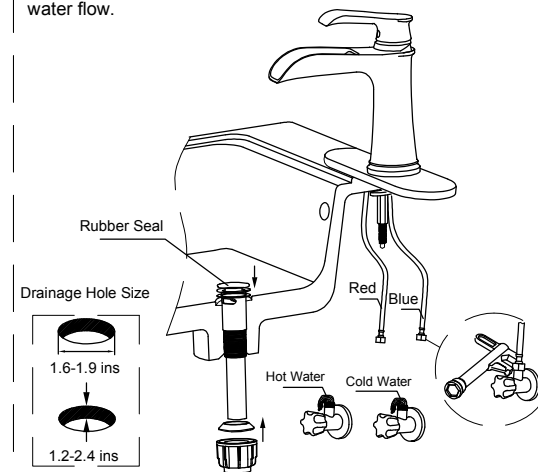
The other side of our equipped 3/8 wrench can also be used to tighten the hot and cold supply water hoses on the angle valve.

- Notice:
- 1.You can choose not to install the deck plate if your basin has only 1 hole.
 - 2.Must make sure all the pre-installed water hoses are tightened while installing. If not, tighten clockwise.

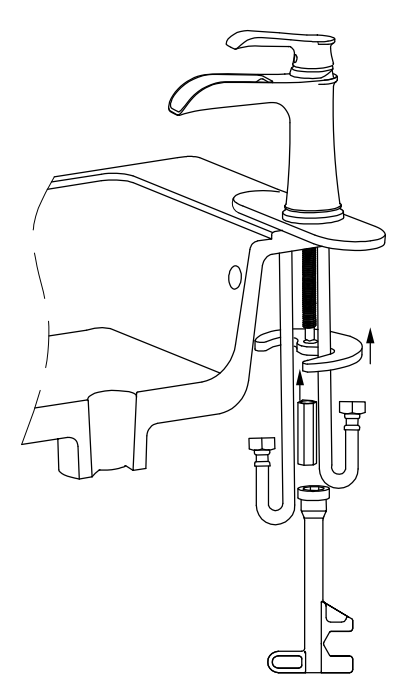


- 1.Place the rubber O-ring and deck plate under the faucet.
 - 2.Insert the faucet through the basin hole.
- Notice:
Close the lever handle to make sure the faucet is closed.

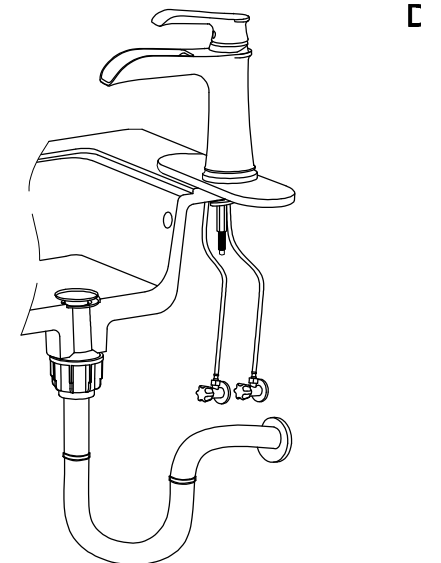
- Notice: 1.Avoid the angle valves damage caused by excessive force.
2.The supply hoses MUST NOT be kinked excessively when connecting to the angle valve, otherwise it will affect the water flow.



- 1.Open the angle valve to discharge the sewage.
- 2.Use our equipped 3/8 plastic wrench to tighten the hot and cold supply water hoses on the angle valve.
- 3.Insert the drain with rubber seal into the drainage hole.
- 4.Place the thick rubber gasket and tighten the plastic nut.



Place the metal gasket and metal nut through the screw in the sequence, then use the wrench to tighten the metal nut.



- 1.Connect the pop-up drain with your own drainage hose
- 2.Open the lever handle to check if the faucet is working properly or any leaks.