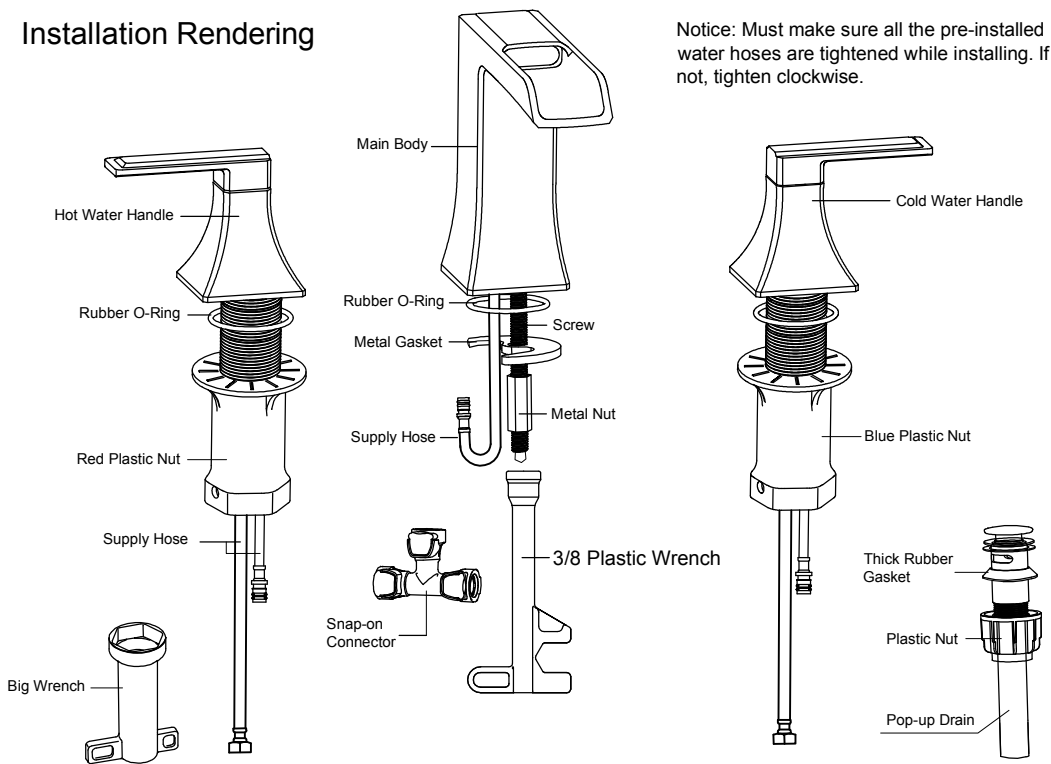
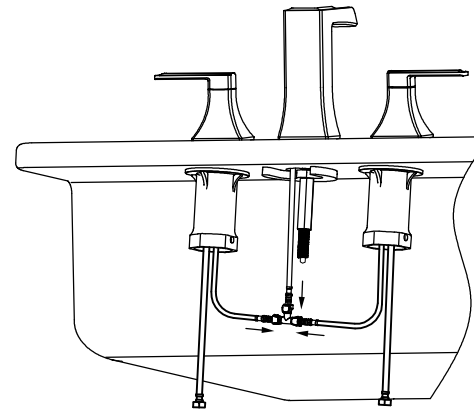


# Installation Rendering



Notice: Must make sure all the pre-installed water hoses are tightened while installing. If not, tighten clockwise.

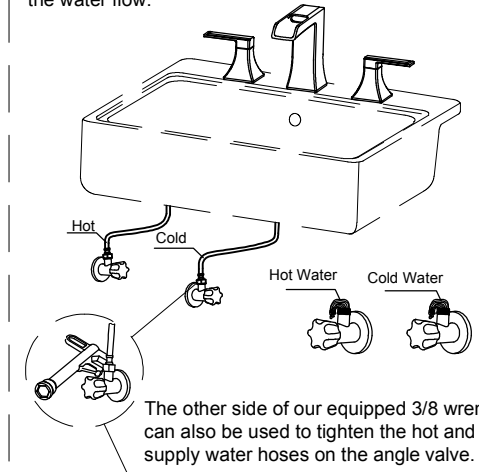


Connect the faucet and handle hoses with the snap-on connector.

Notice: When you hear a "click", it means the snap-on connector installation is successful.

**C**

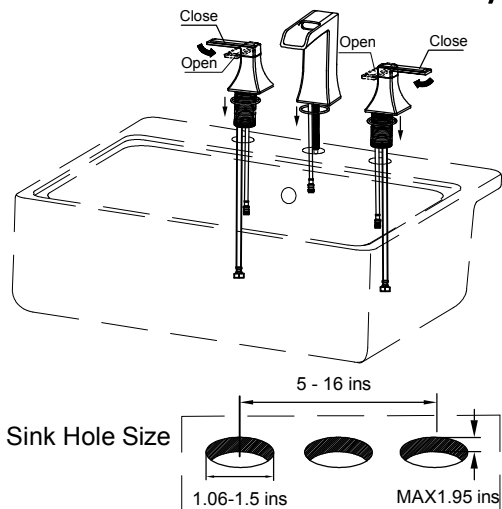
Notice: 1. Avoid the angle valves damage caused by excessive force.  
2. The supply hoses MUST NOT be kinked excessively when connecting to the angle valve, otherwise it will affect the water flow.



The other side of our equipped 3/8 wrench can also be used to tighten the hot and cold supply water hoses on the angle valve.

1. Open the angle valve to discharge the sewage.
2. Use our equipped 3/8 plastic wrench to tighten the hot and cold supply water hoses on the angle valve.
3. Open the hot & cold handles to check if the faucet is working properly or any leaks.  
Installation finished.

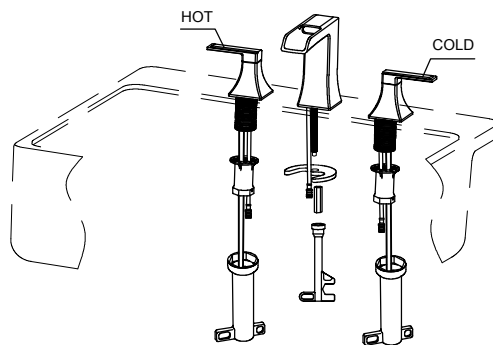
**A**



1. Place the rubber O-ring under the faucet.
2. Insert the faucet through the basin hole.

Notice: Please note the hot(Left) and cold(Right) handles need to turn to their respective sides to ensure they are closed.

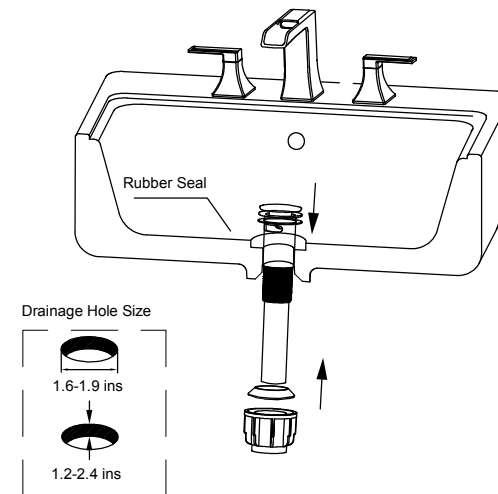
**B**



1. Place the metal gasket and metal nut through the screw in the sequence, then use the small wrench to tighten the metal nut.

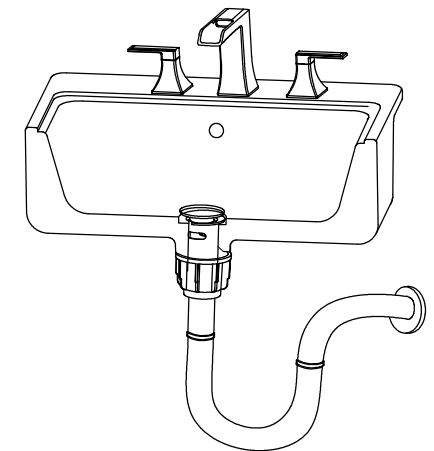
2. Use a big wrench to fix the handles with red/blue plastic nut.

**E**



1. Insert the drain with rubber seal into the drainage hole.
2. Place the rubber gasket and tighten the plastic nut.

**F**



Connect the pop-up drain with the drainage hose.