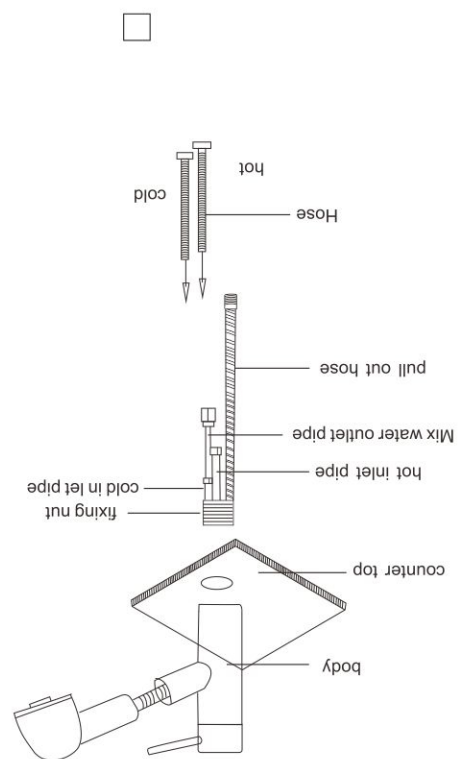
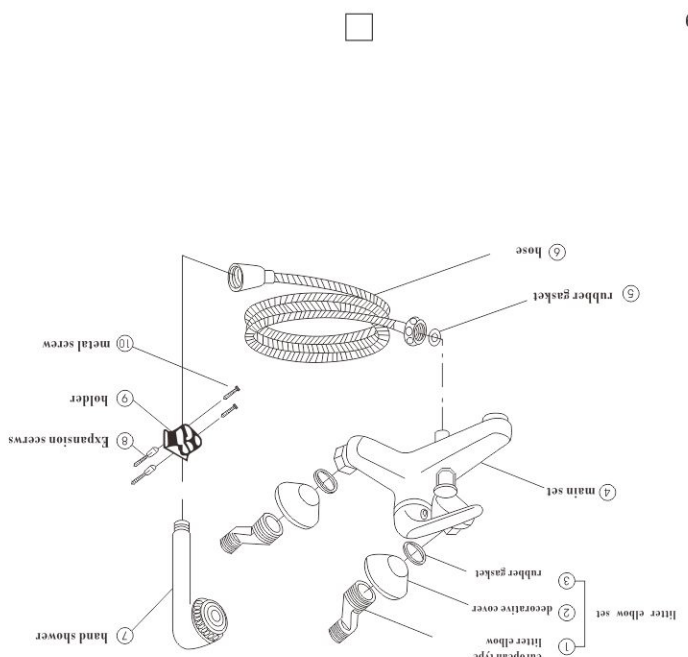


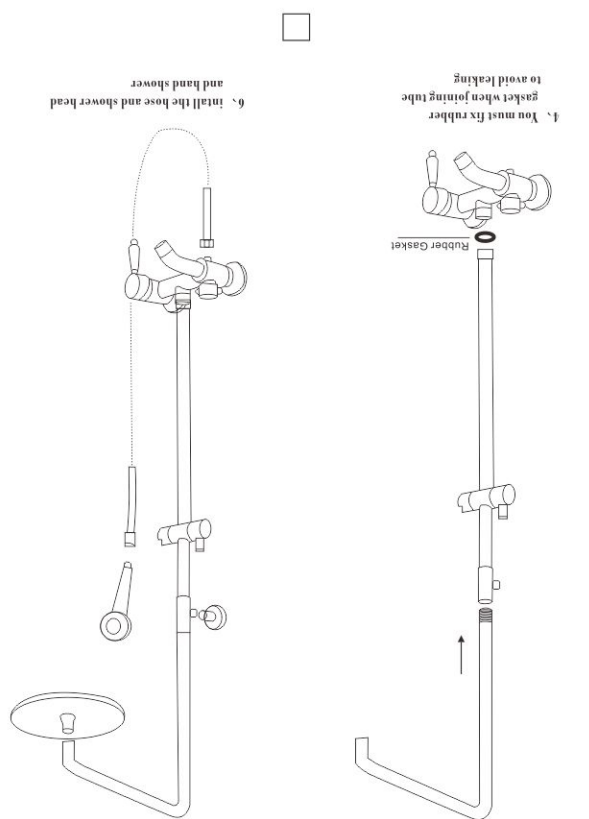
KITCHEN FAUCET



PULL OUT FAUCET

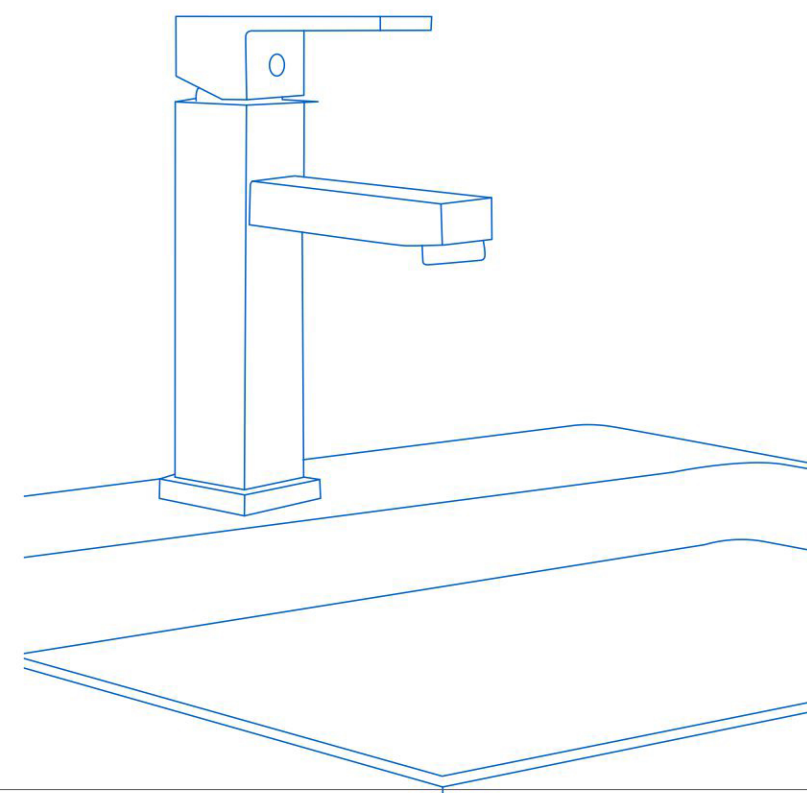


BATHUB AND SHOWER FAUCET

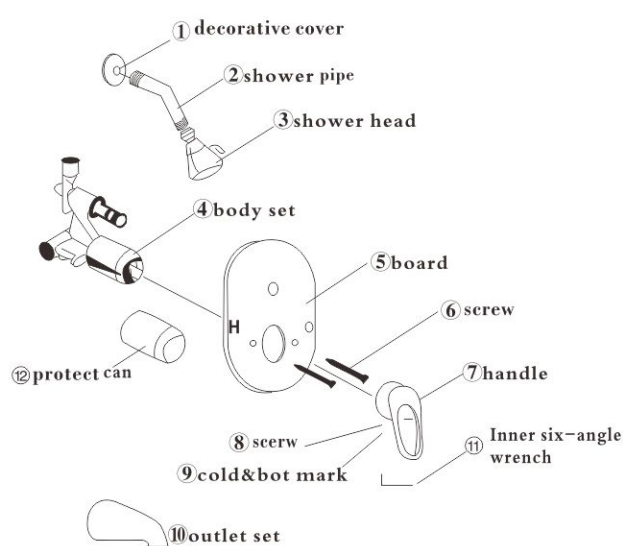


SHOWER SET

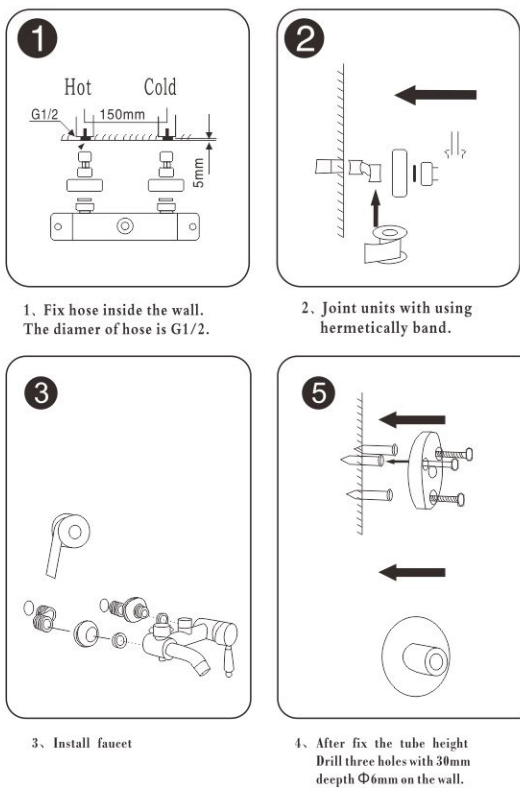
INSTALLATION INSTRUCTION



CONCEALED FAUCET



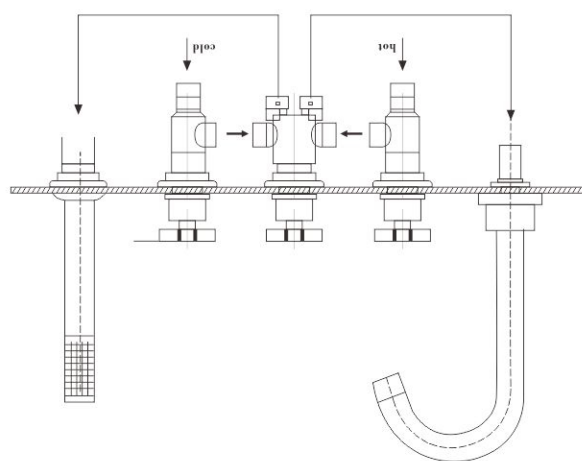
SHOWER SET



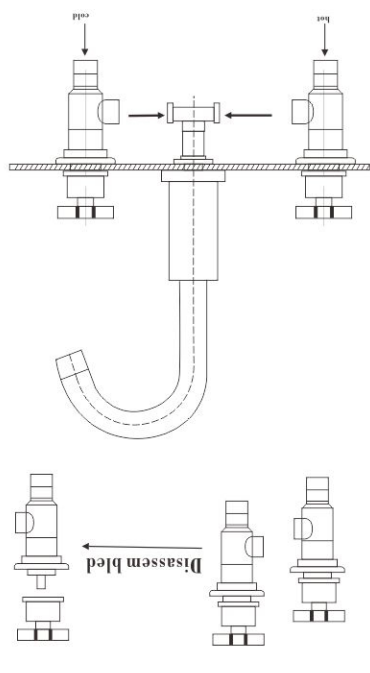
INSTALLATION INSTRUCTIONS

This product has been tested and adjusted to be qualified when they were delivered out of the factory. Please do not arbitrarily disassemble and install it so as to avoid damaging its primitive performance. Installation must be made by experienced and qualified professionals. During installation, faucet should not be knocked by hard object, do not remain cement or glue inside the surface to avoid damaging glossiness of surface clad layer, and be sure to clean impurities inside the pipe before installing faucet. As there might be some stains inside water supply pipe, it must be flushed away with water before the installation of faucet to avoid affecting normal operation of this product due to the clogging of stains. After installation of this product and normal use of water, unscrew bubble former with spanner before further flushing impurities inside the bubble former to make water yielding more beautiful. Check to see whether each joint is closely connected and pipeline leaks or not.

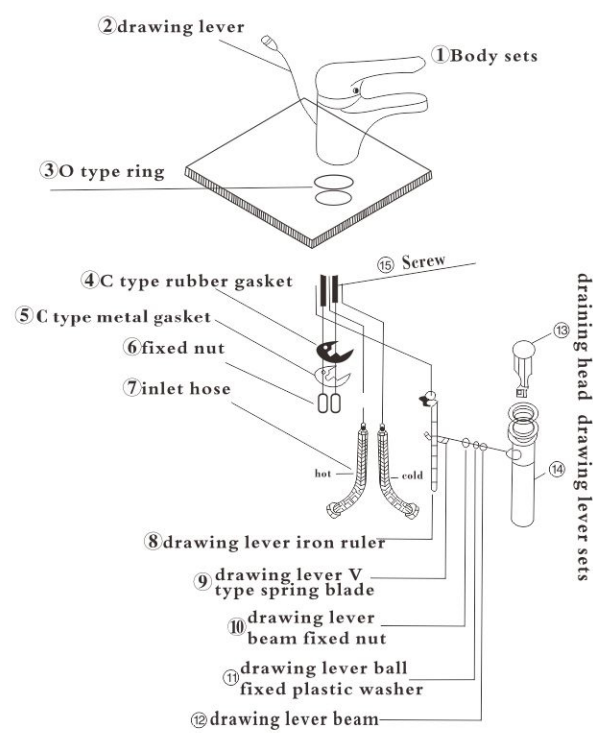
5 HOLES BATHUB FAUCET



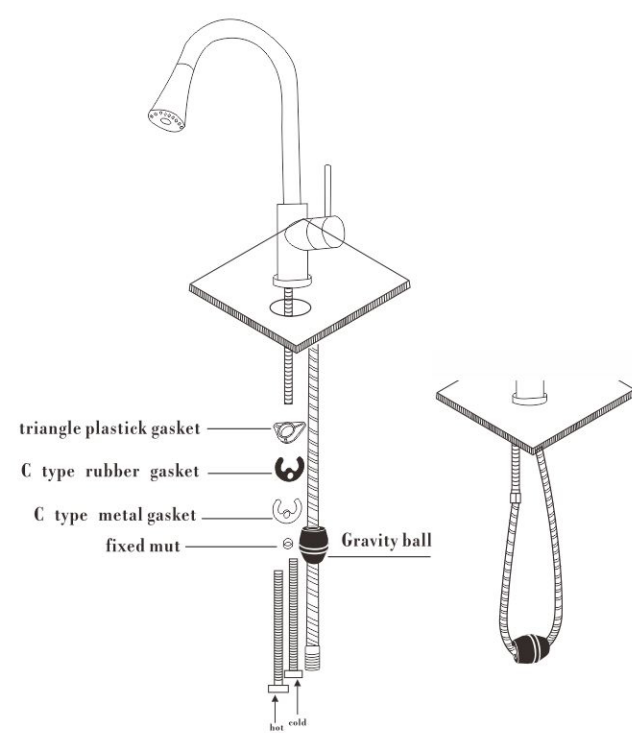
3 HOLES BATHUB FAUCET



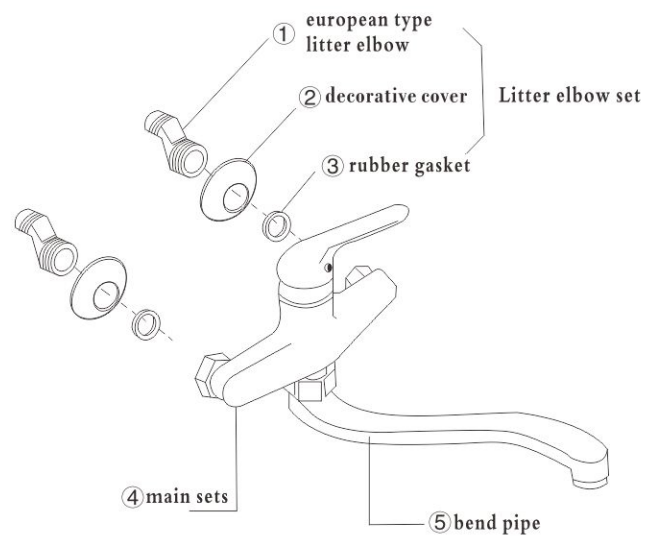
BATHROOM BASIN FAUCET



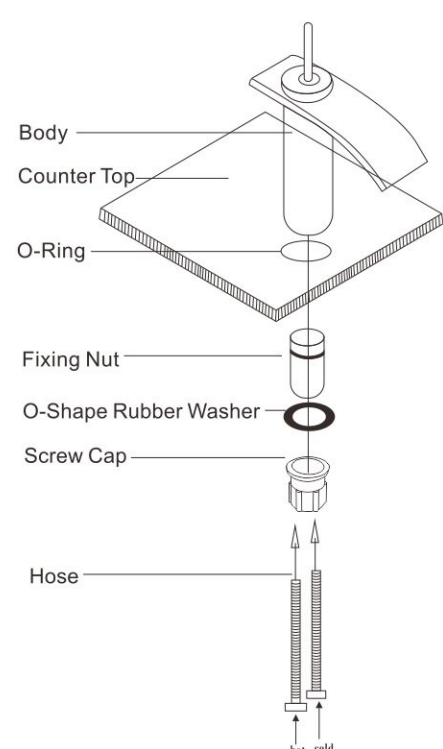
PULL OUT FAUCET



IN WALL KITCHEN FAUCET



BATHROOM BASIN FAUCET



SHOWER SET 1-2page

BATHROOM BASIN FAUCET 3page

BATHROOM BASIN FAUCET 4page

KITCHEN FAUCET 5page

PULL OUT FAUCET 6page

PULL OUT FAUCET 7page

IN WALL KITCHEN FAUCET 8page

BATHUB AND SHOWER FAUCET 9page

CONCEALED FAUCET 10page

3 HOLES BATHUB FAUCET 11page

5 HOLES BATHUB FAUCET 12page

INDEX