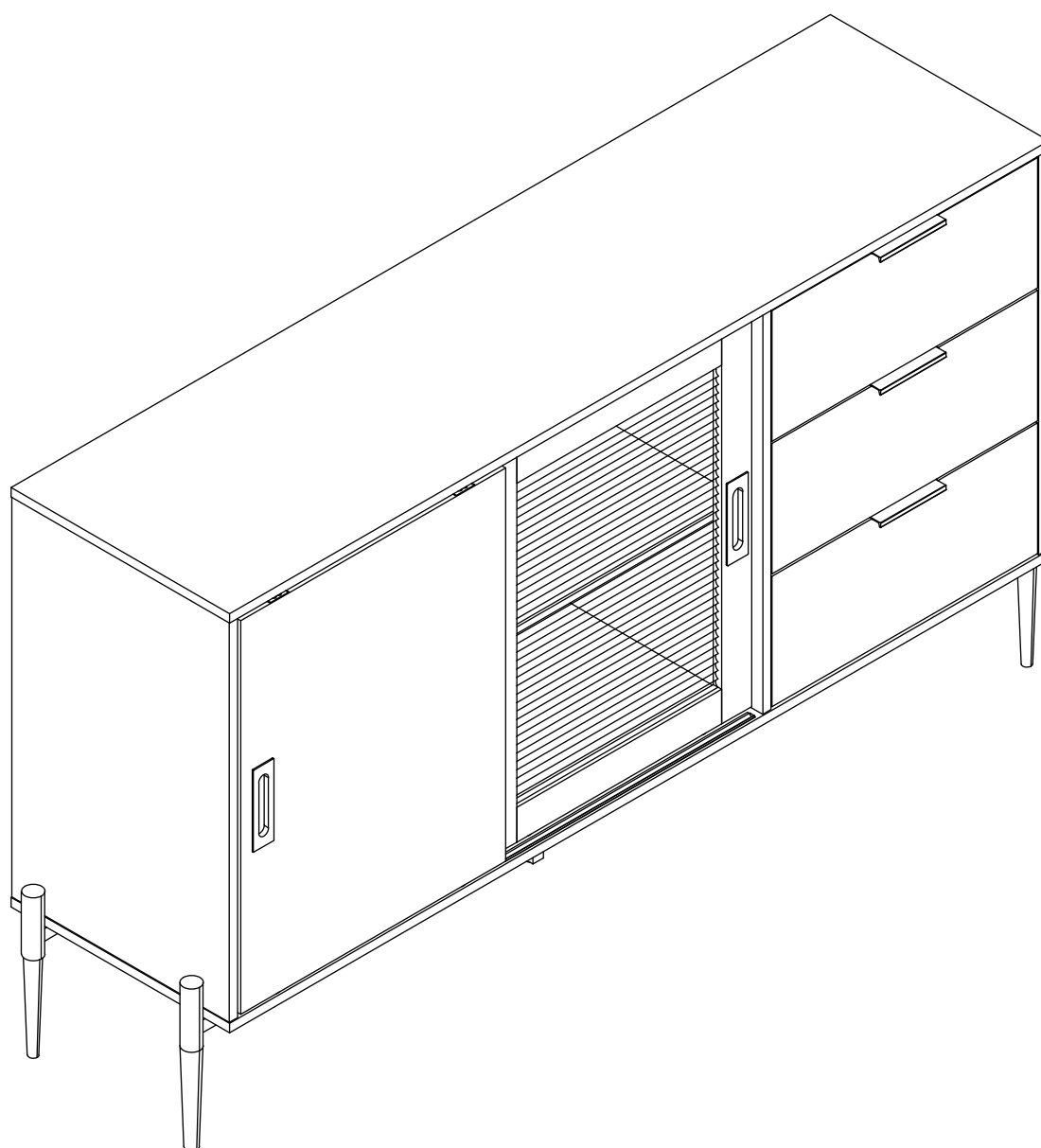
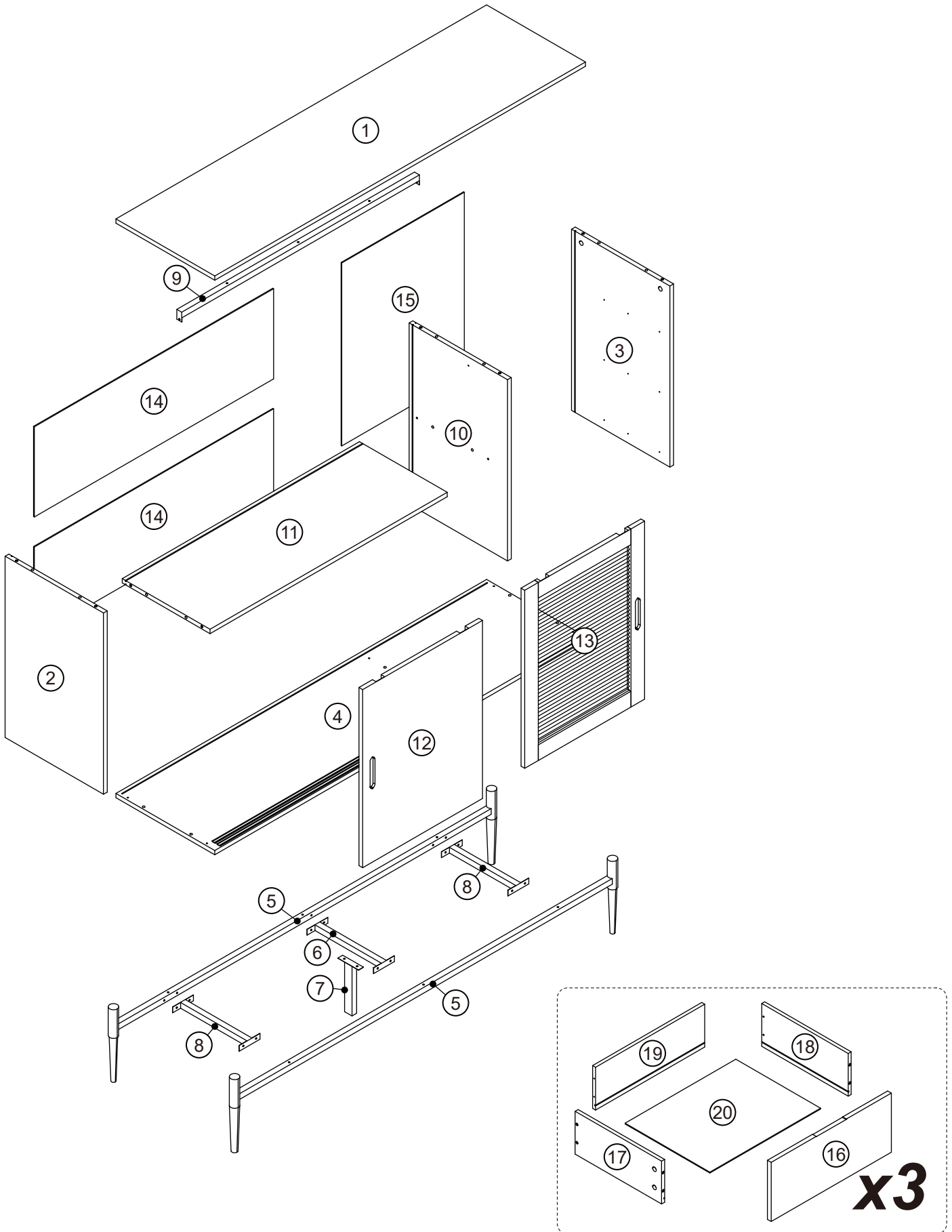


ASSEMBLY INSTRUCTIONS

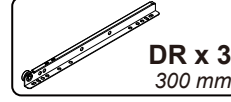
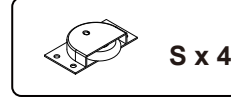
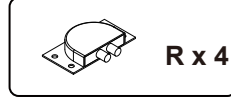
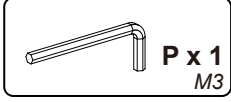
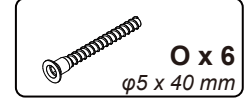
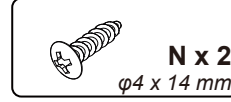
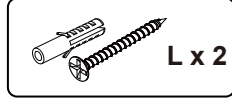
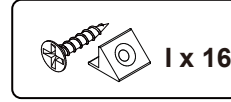
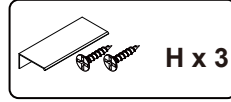
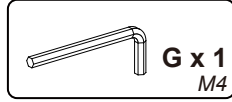
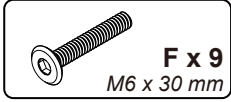
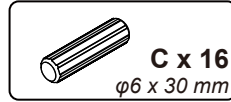
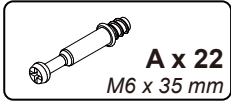
<<Before assembling, read all instructions>>



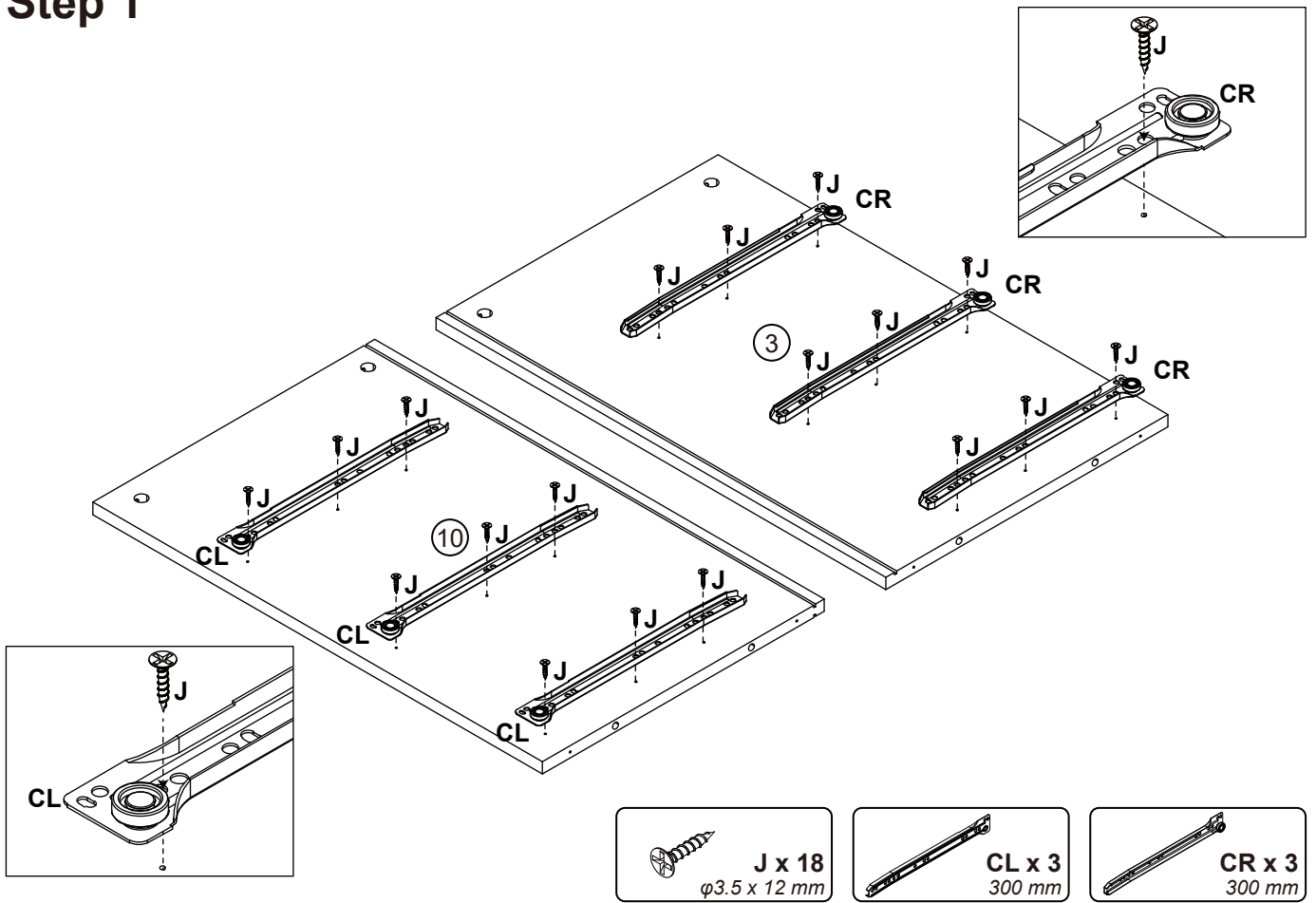
Exploded View



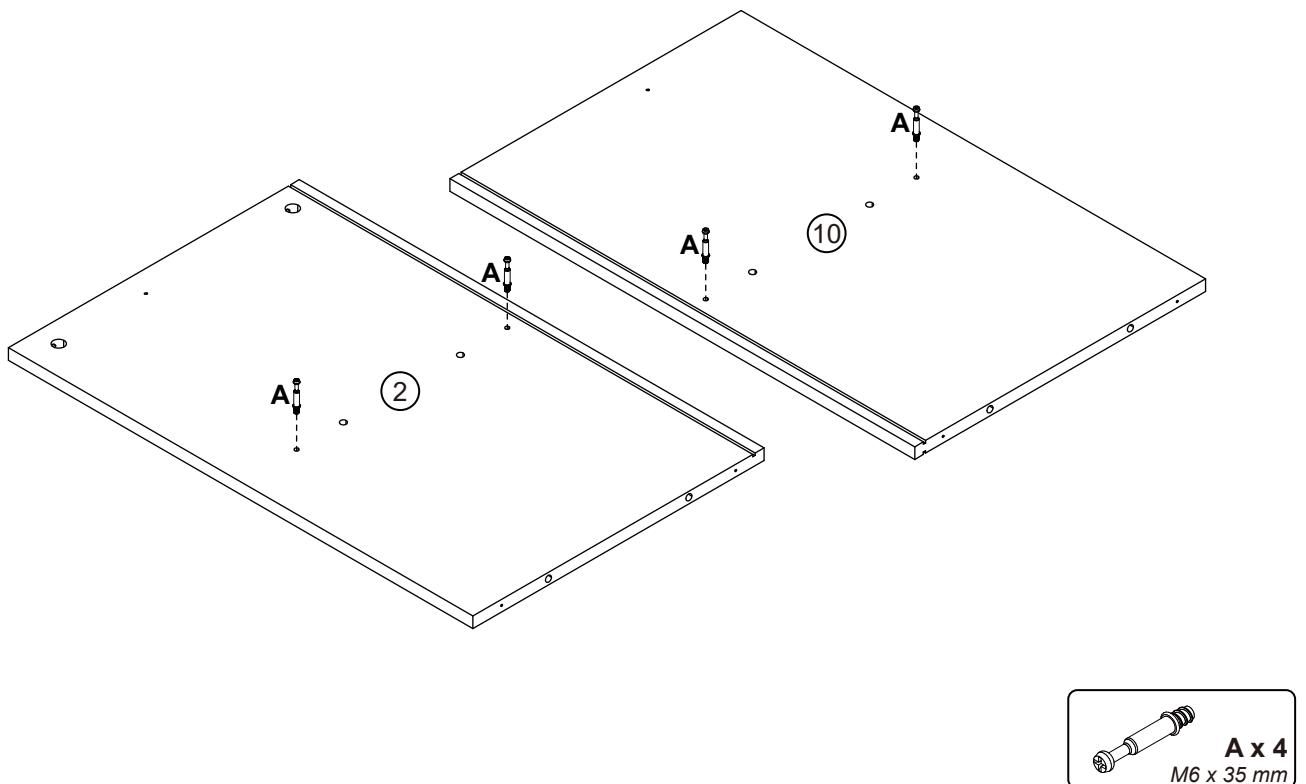
Fittings



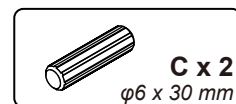
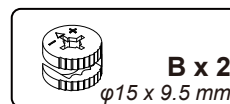
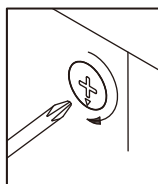
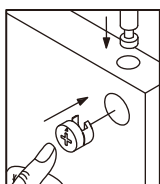
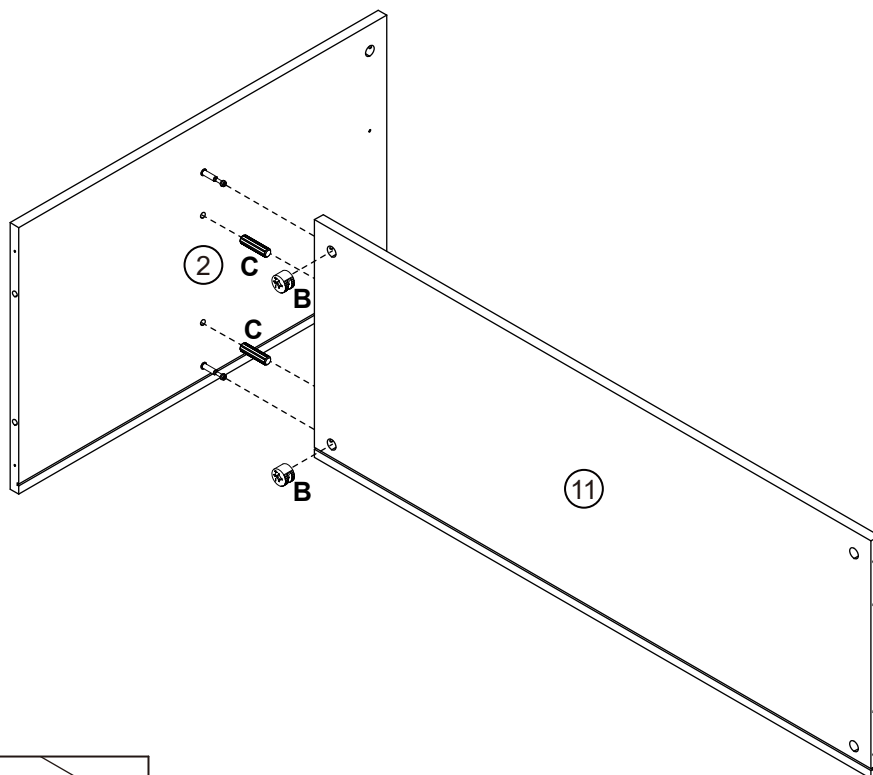
Step 1



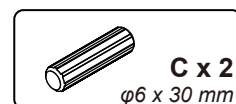
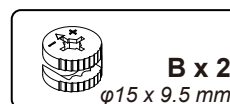
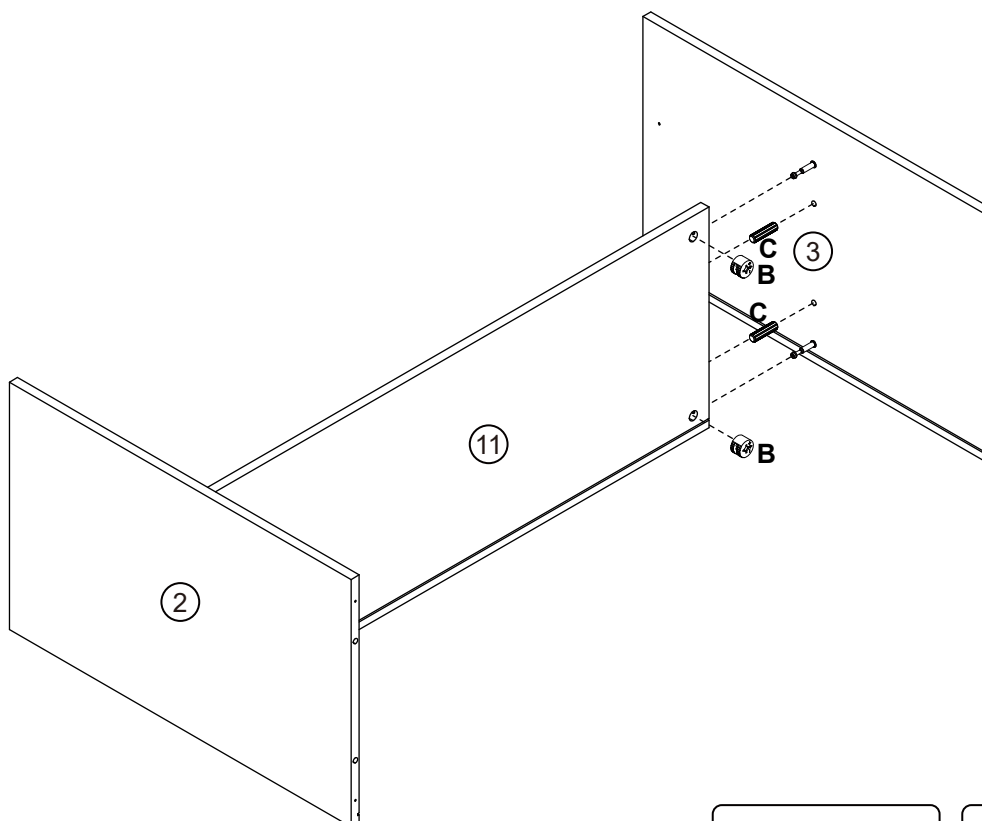
Step 2



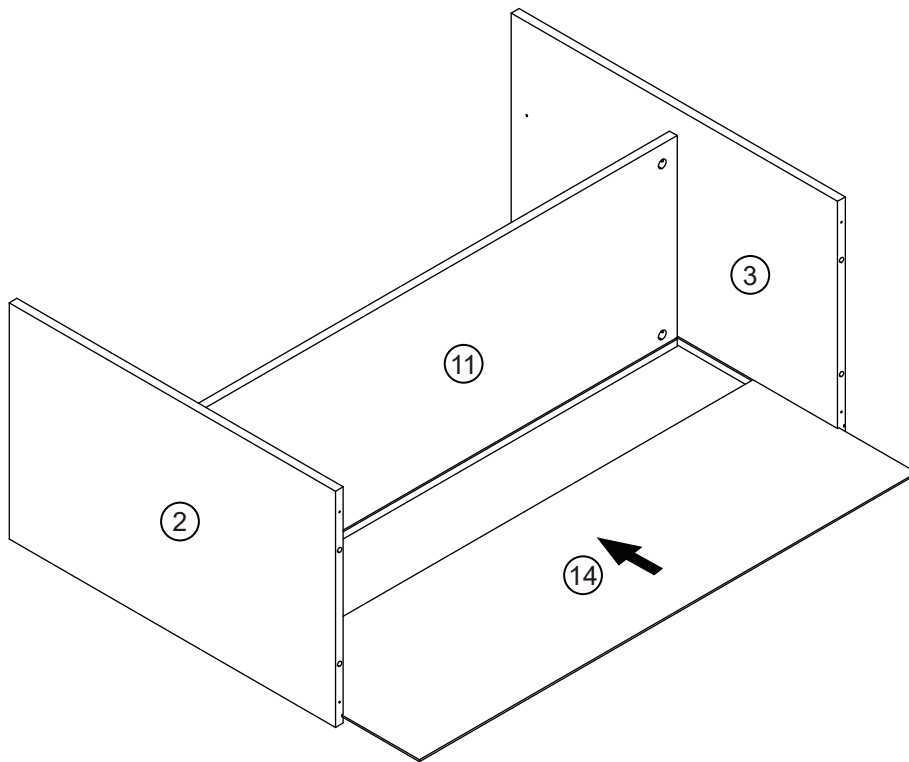
Step 3



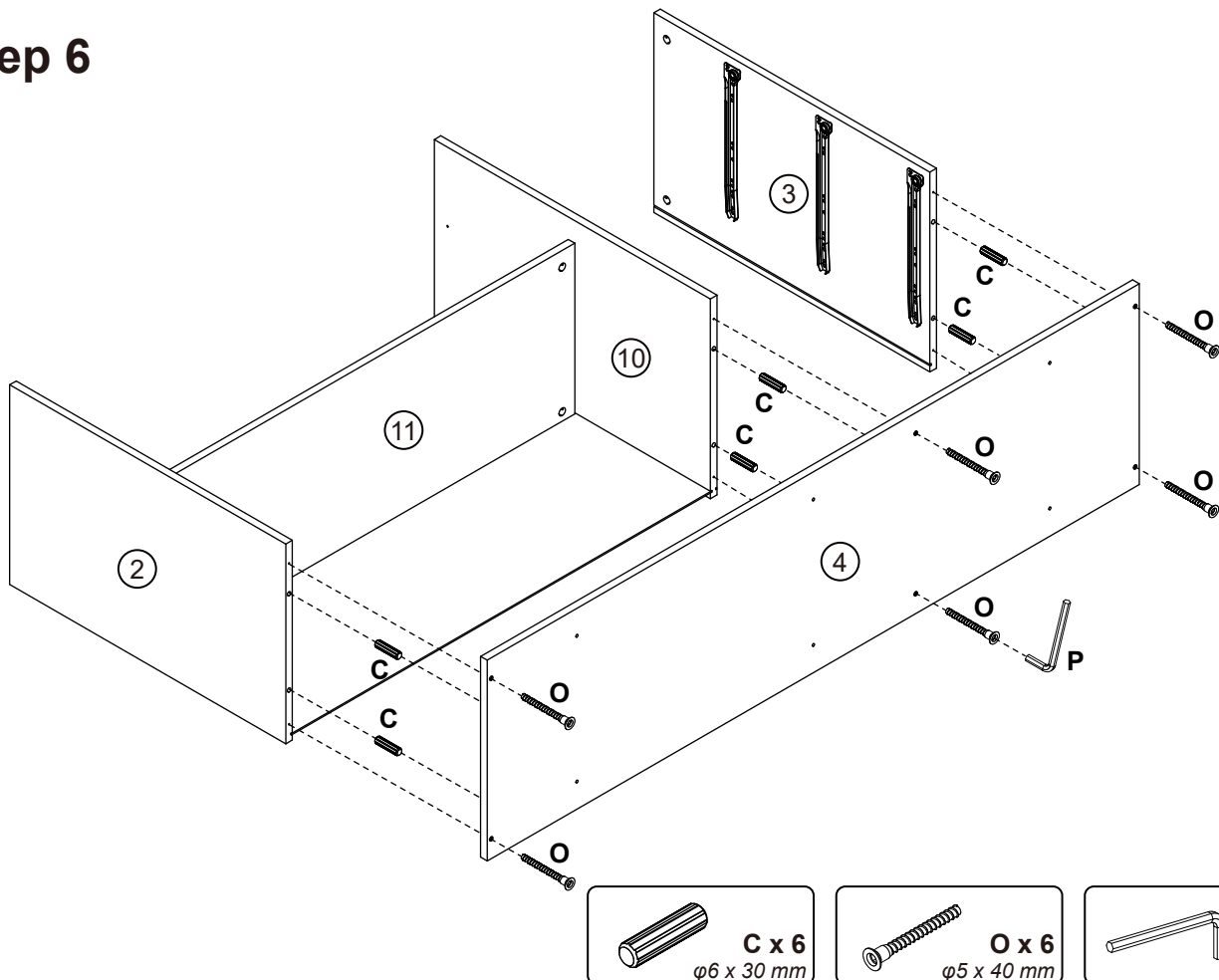
Step 4



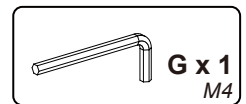
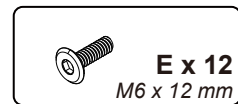
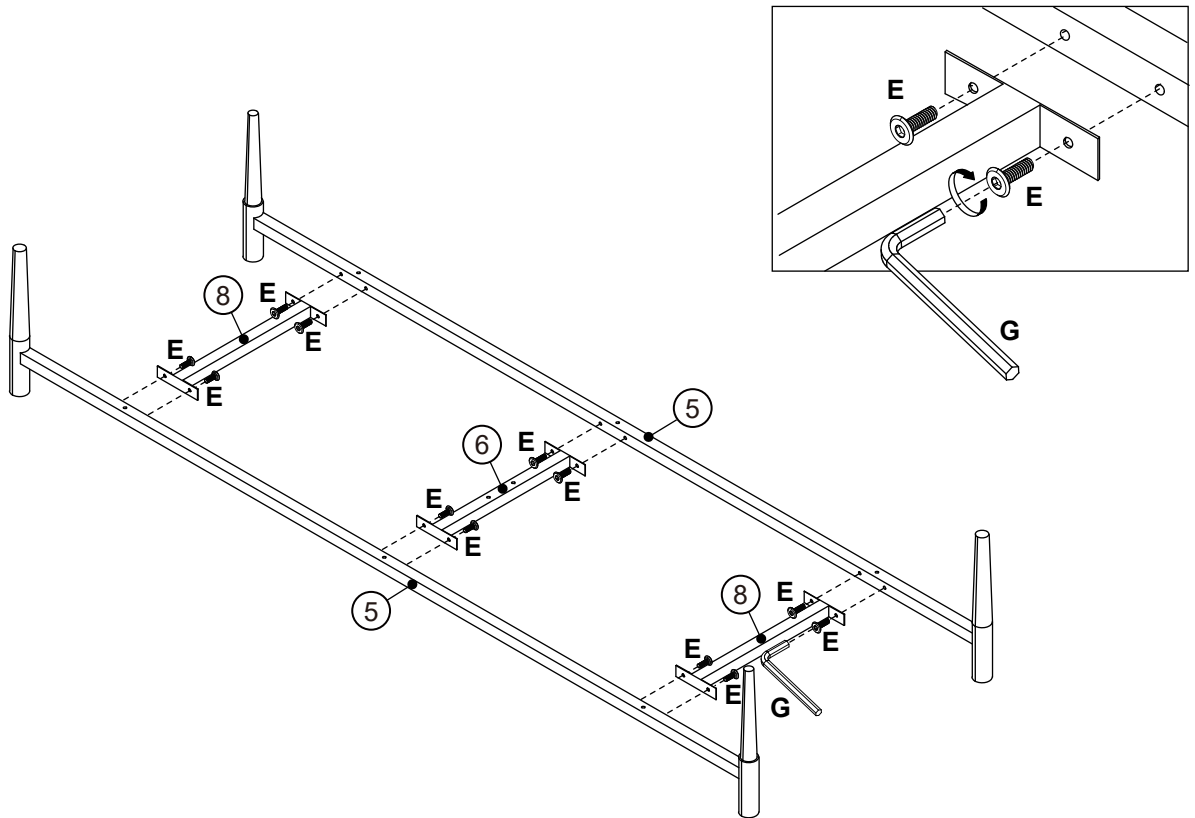
Step 5



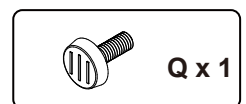
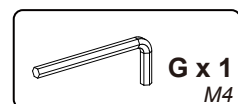
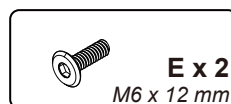
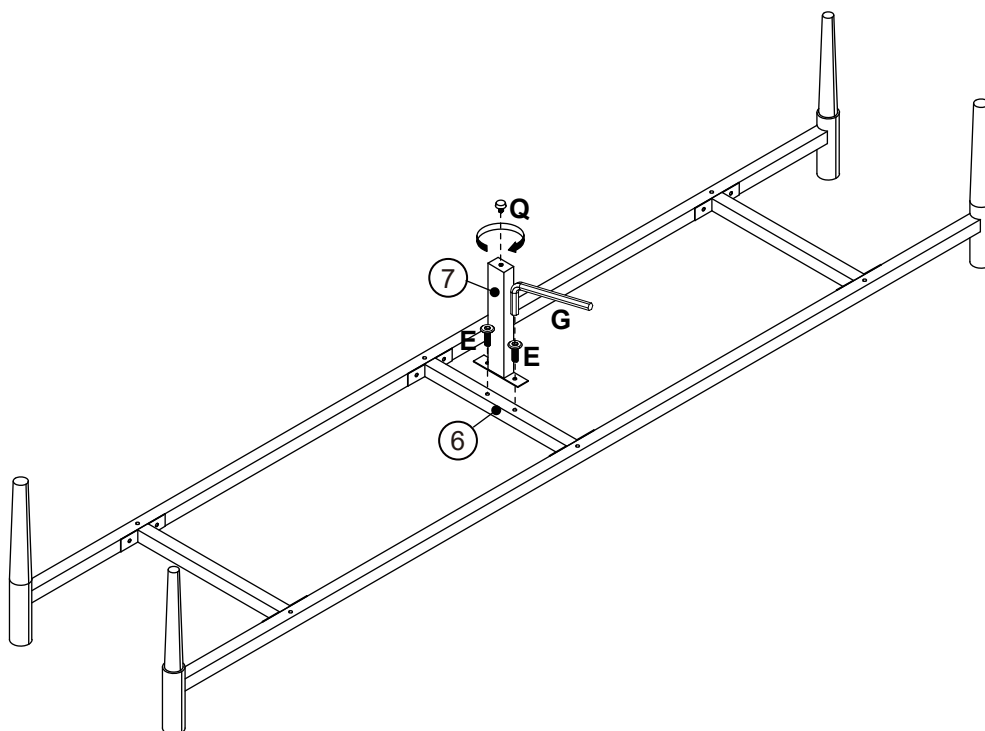
Step 6



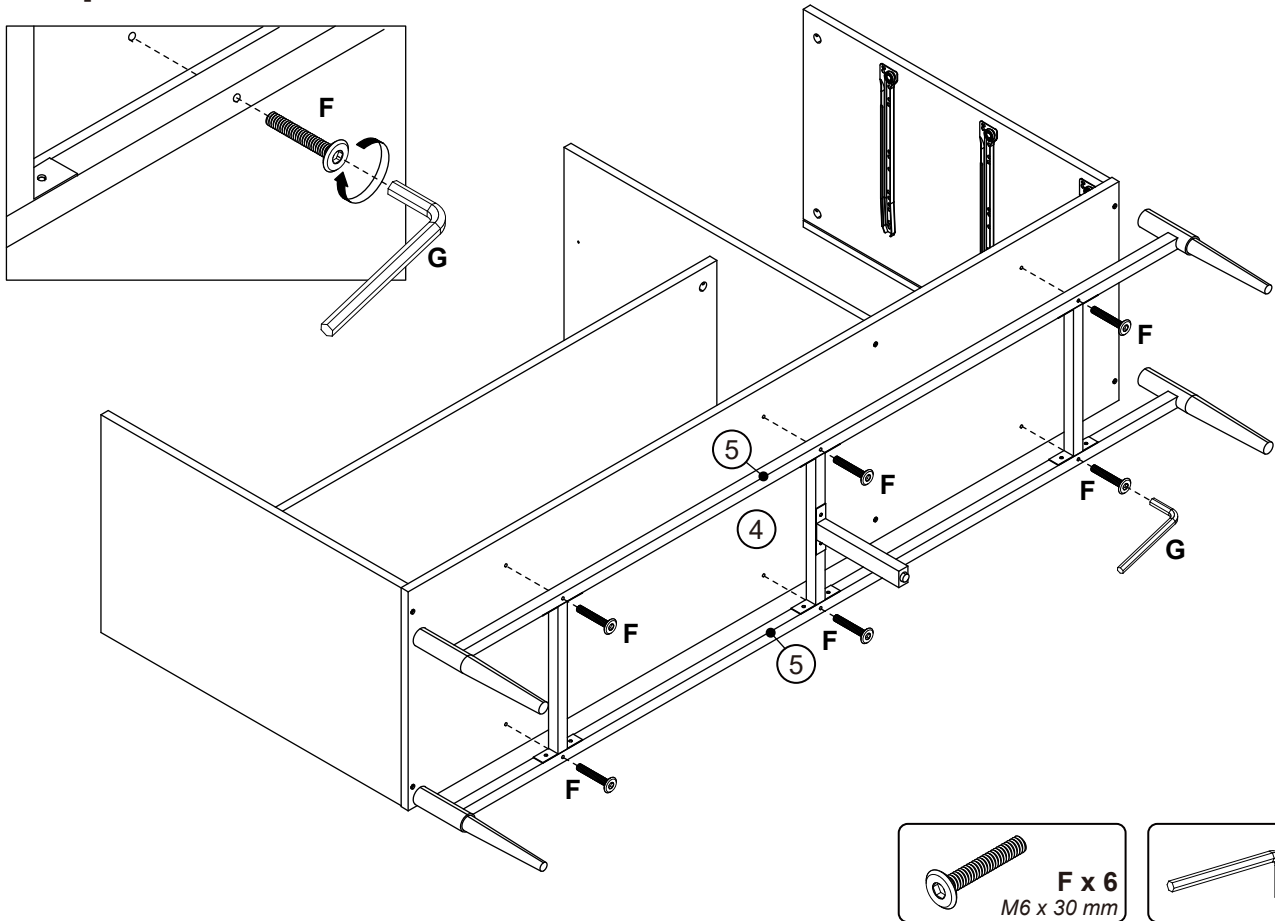
Step 7



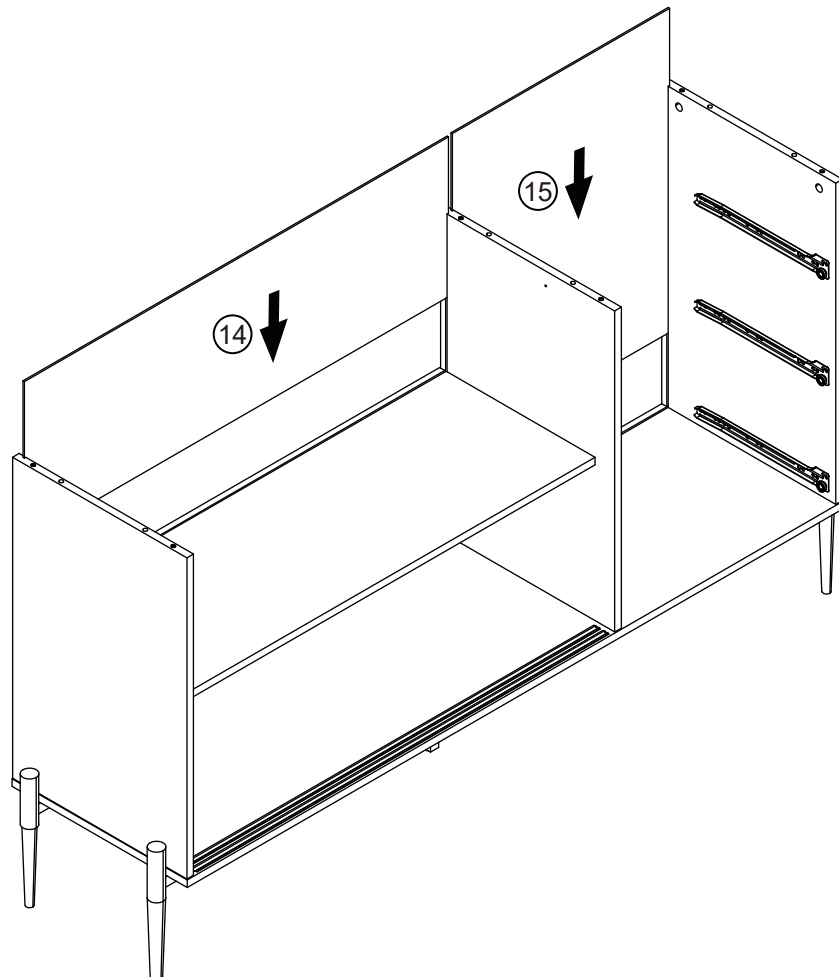
Step 8



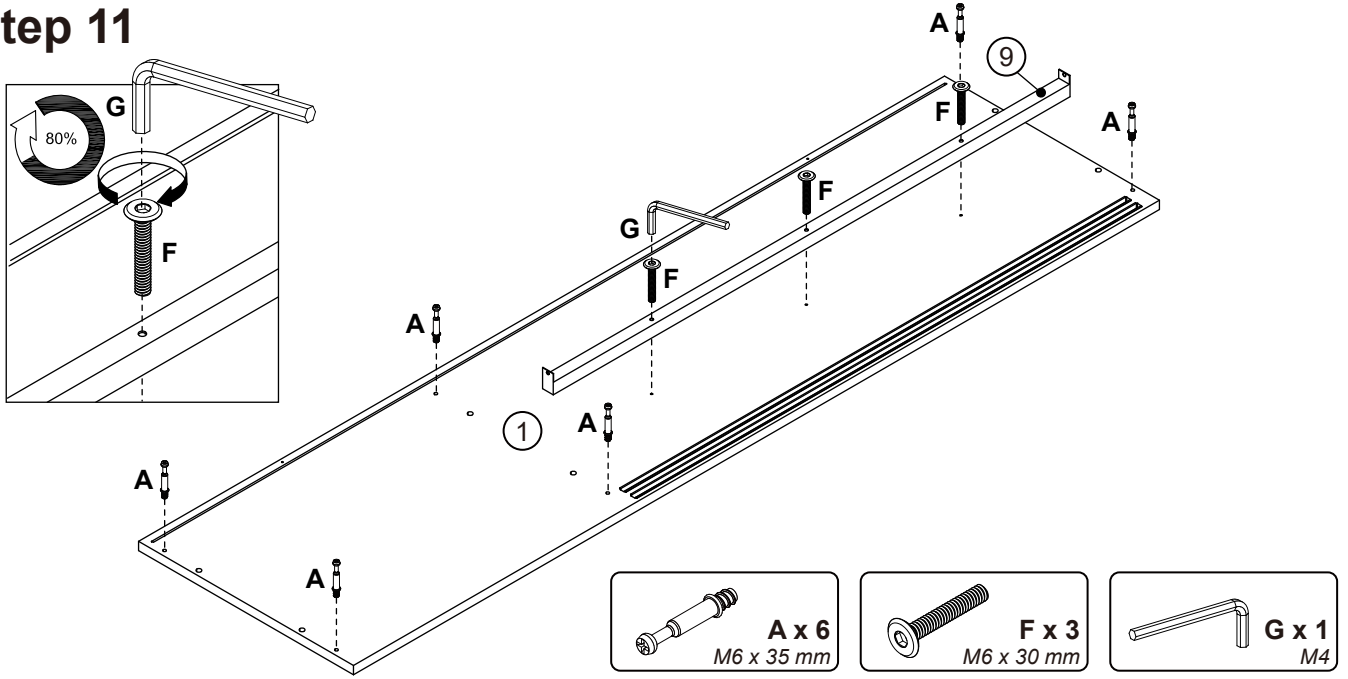
Step 9



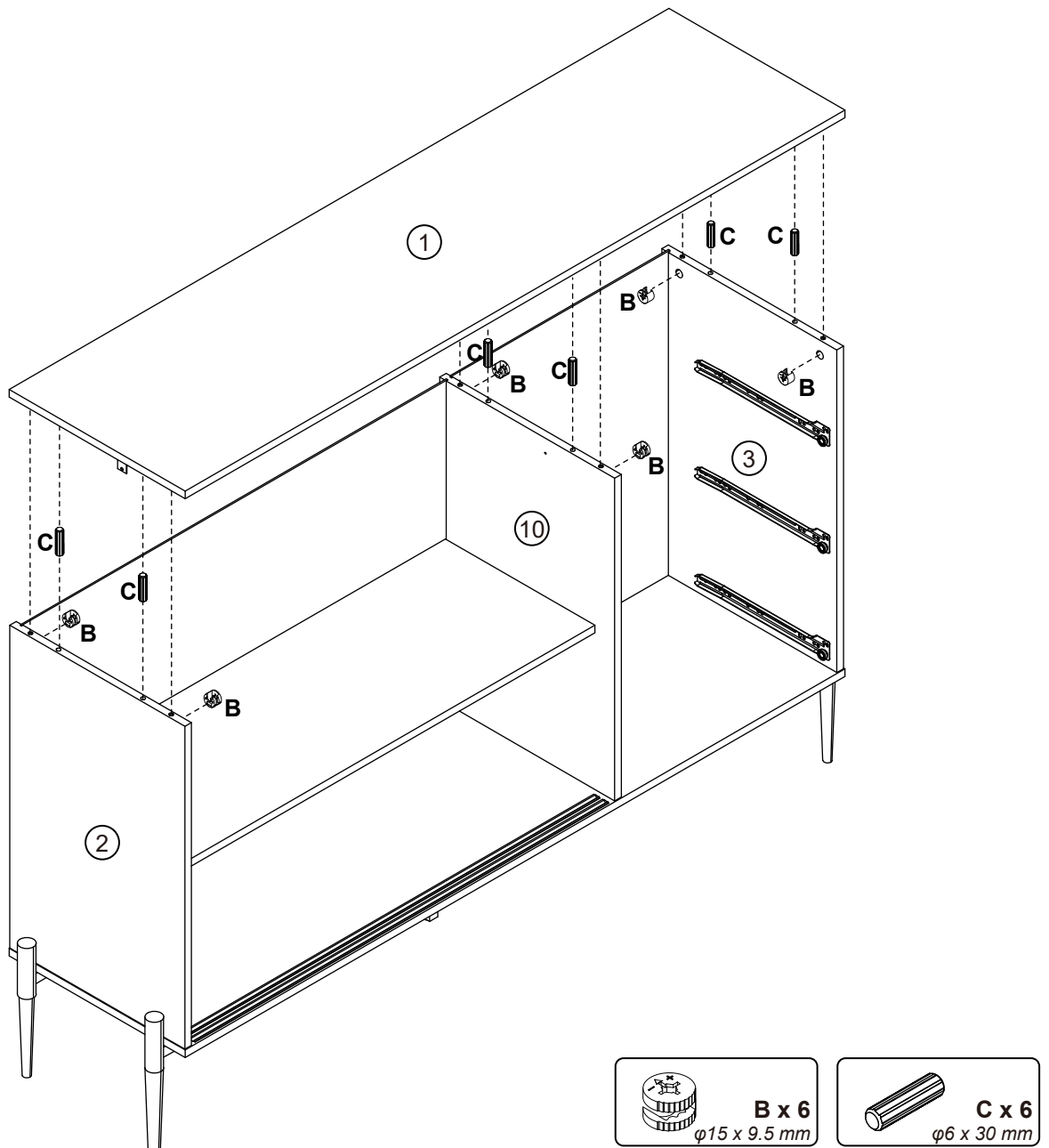
Step 10



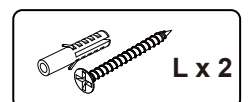
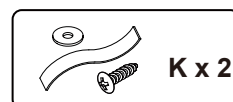
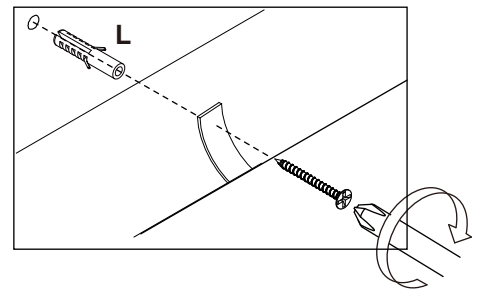
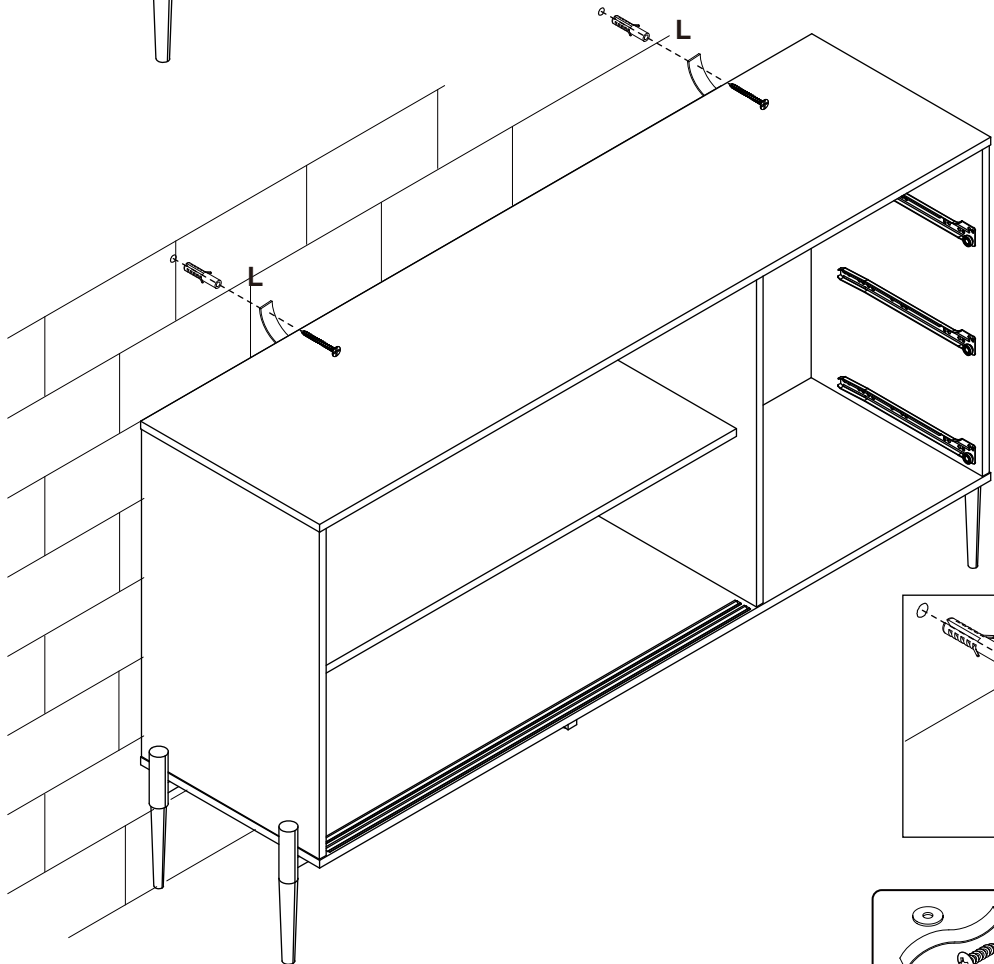
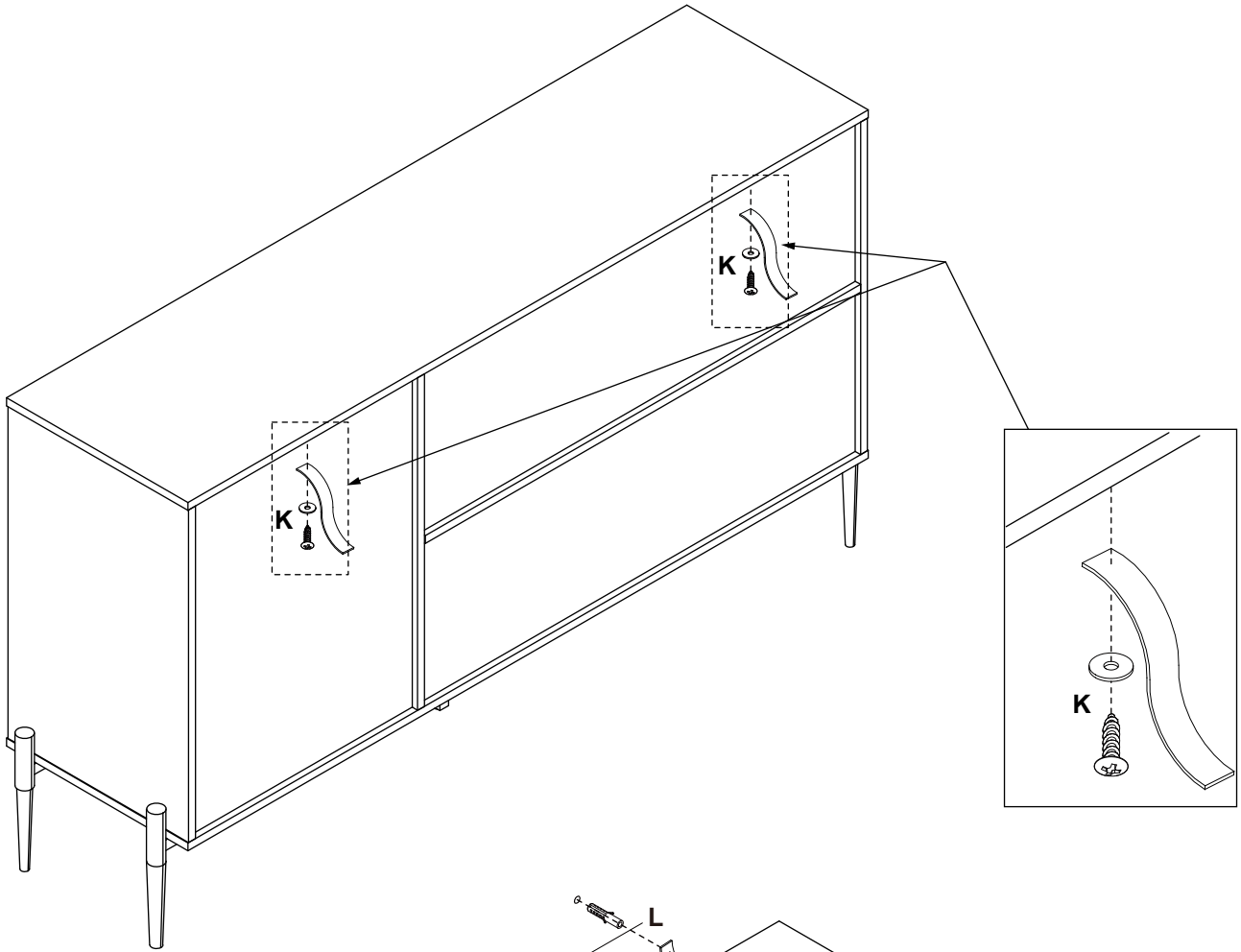
Step 11



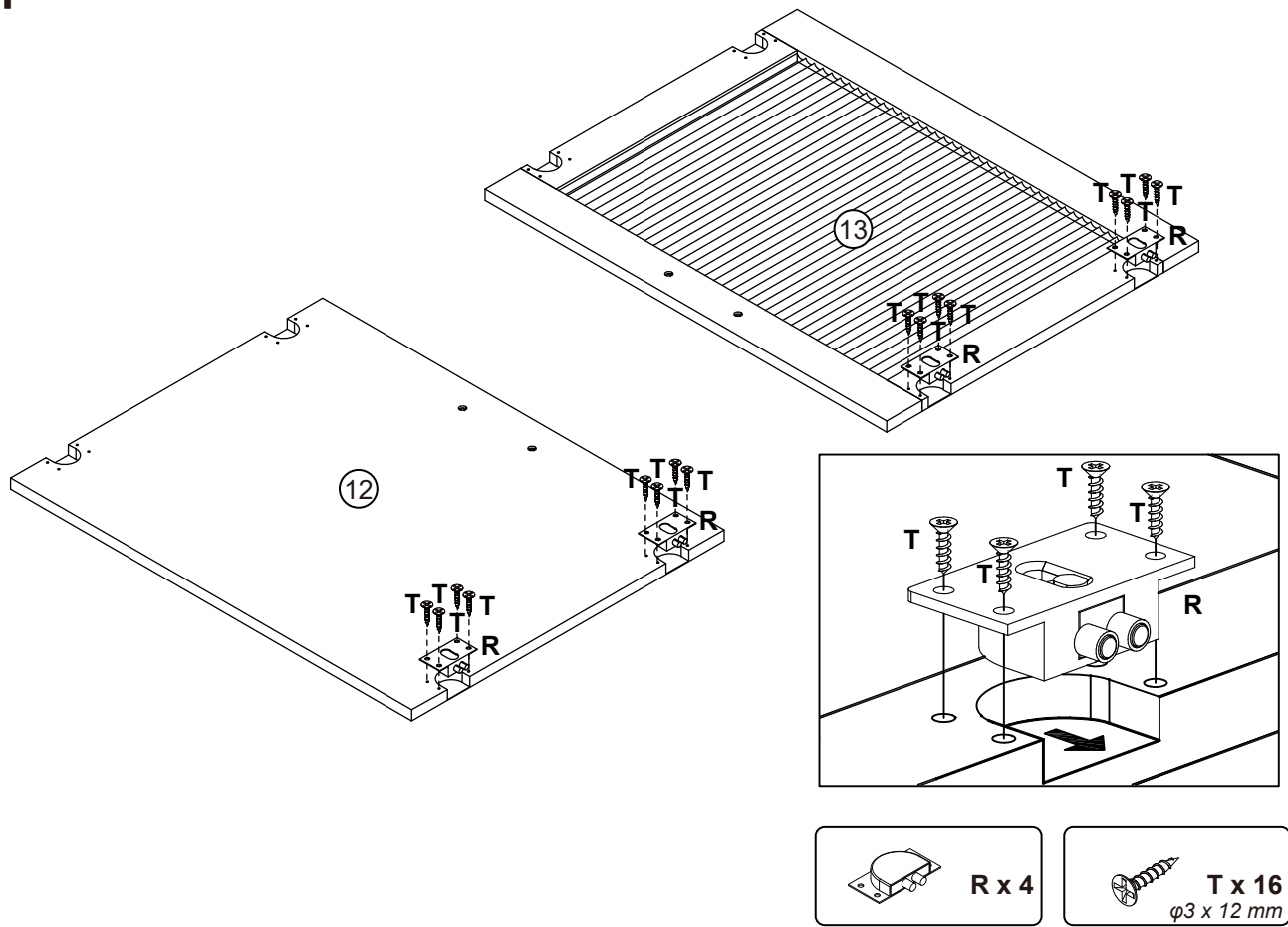
Step 12



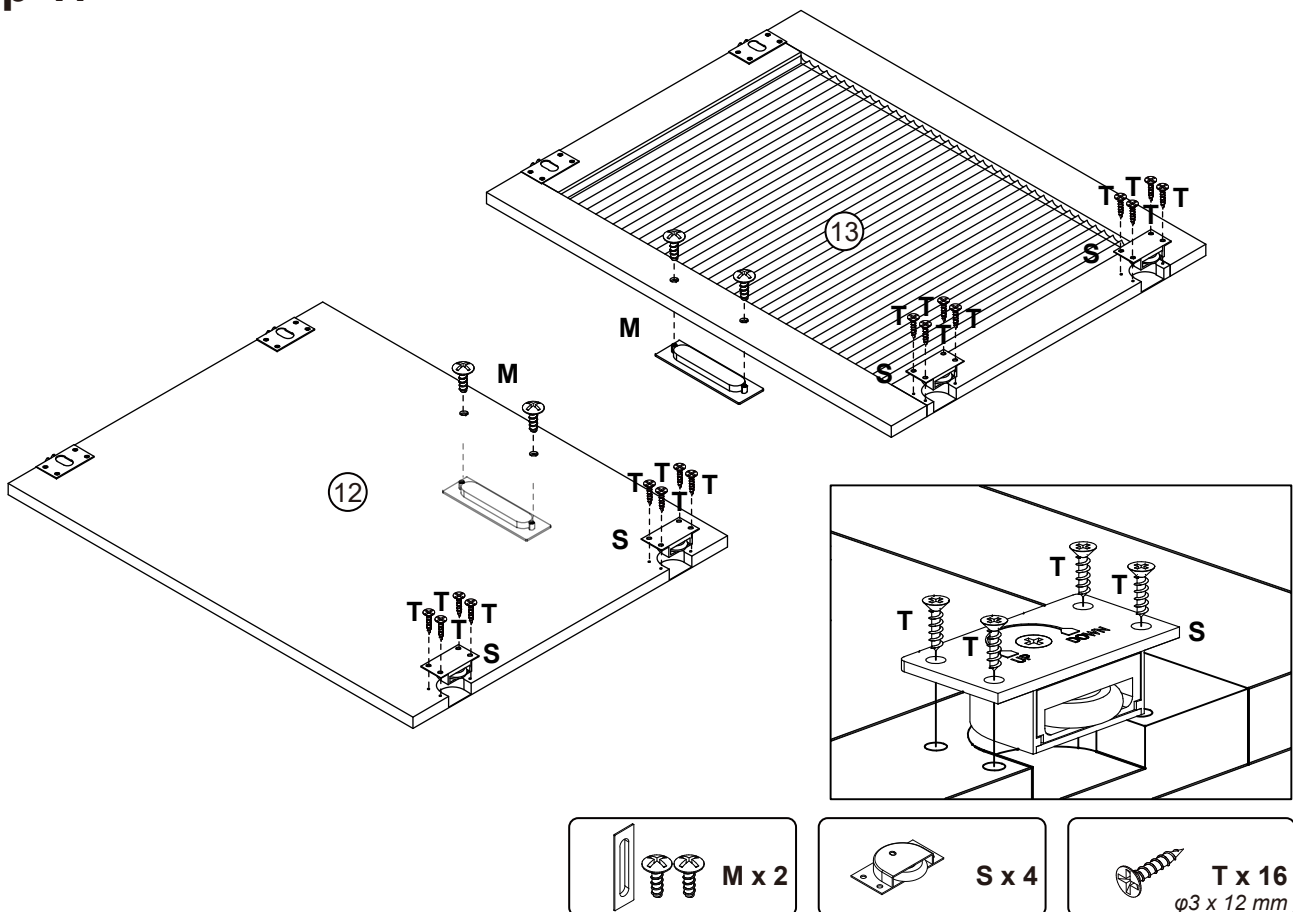
Step 15



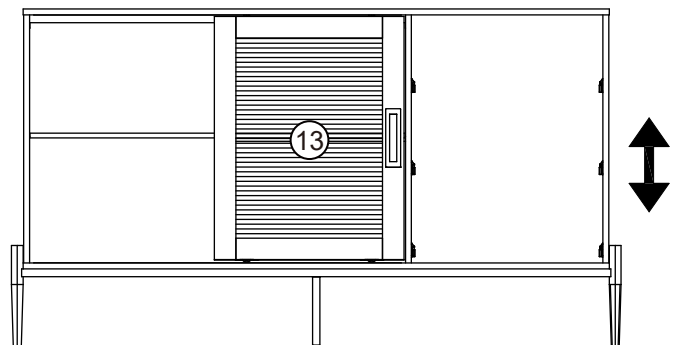
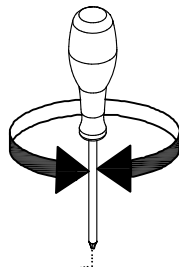
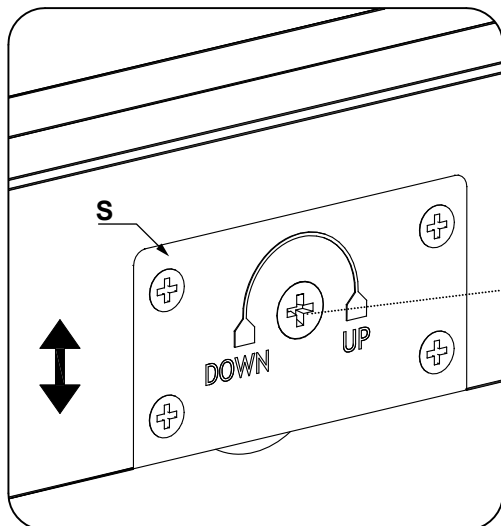
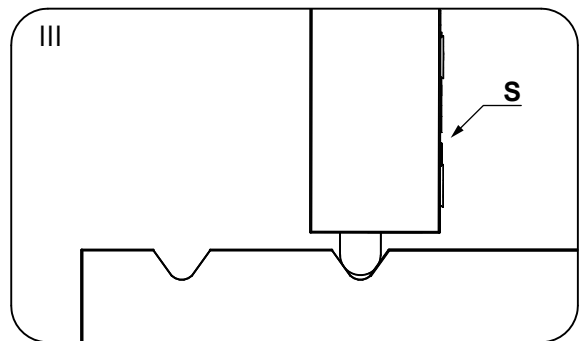
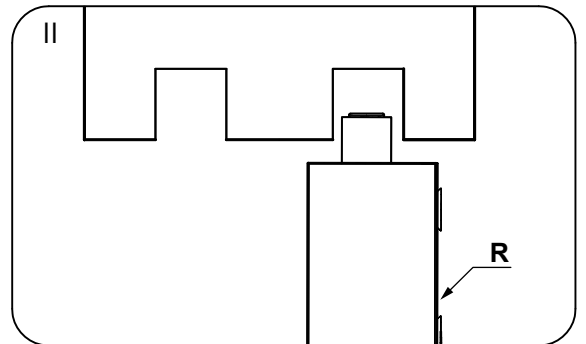
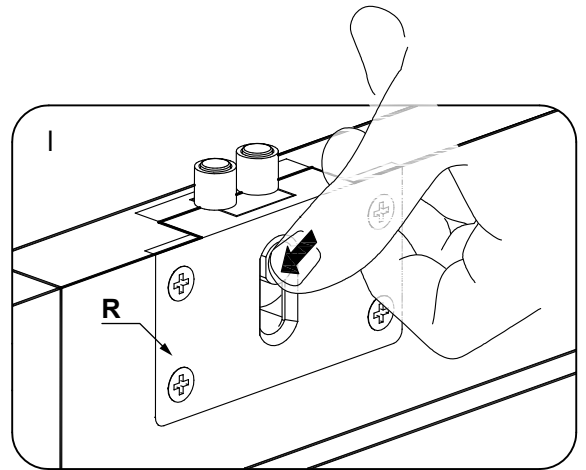
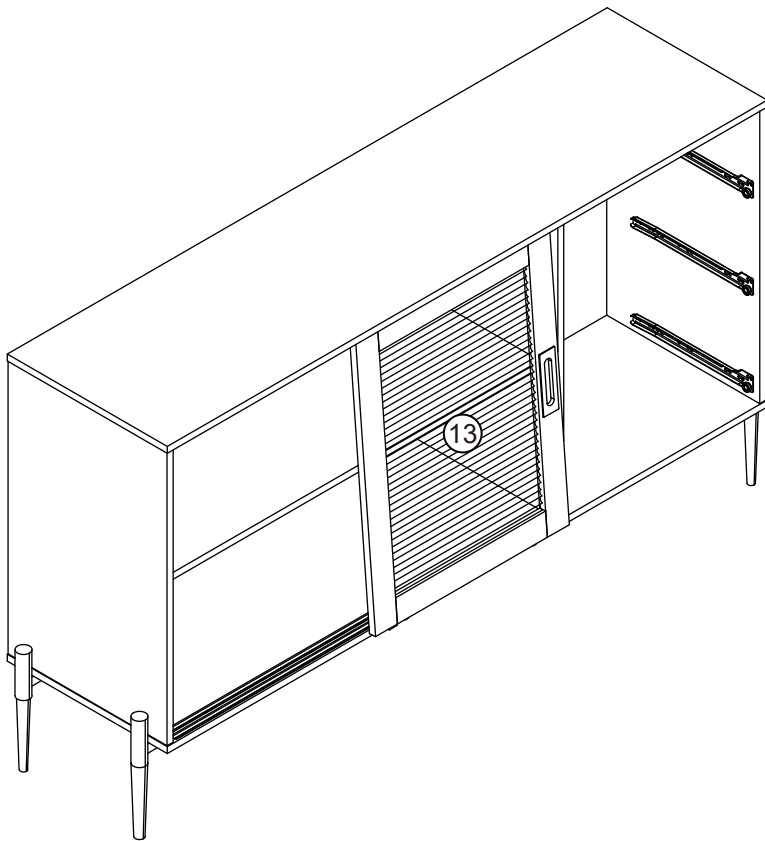
Step 16



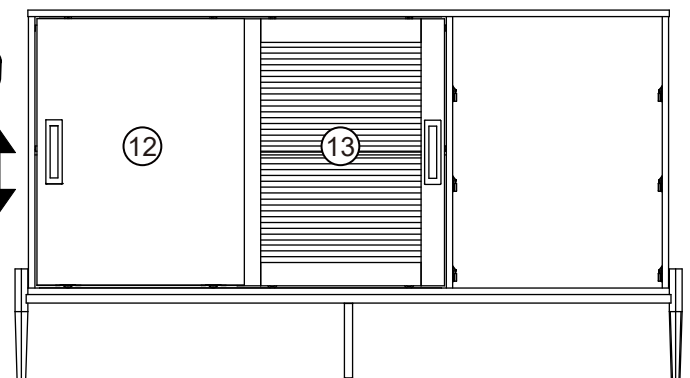
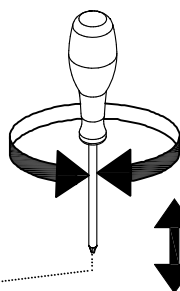
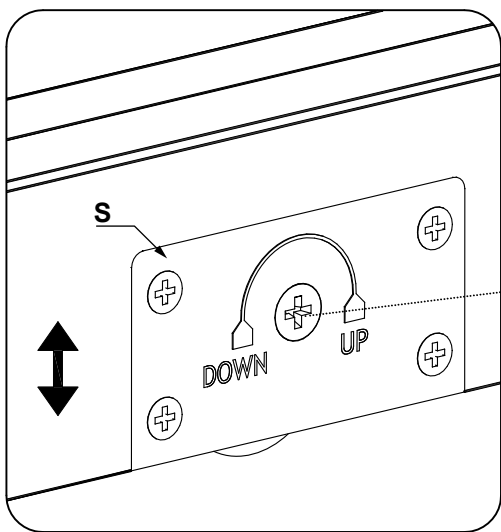
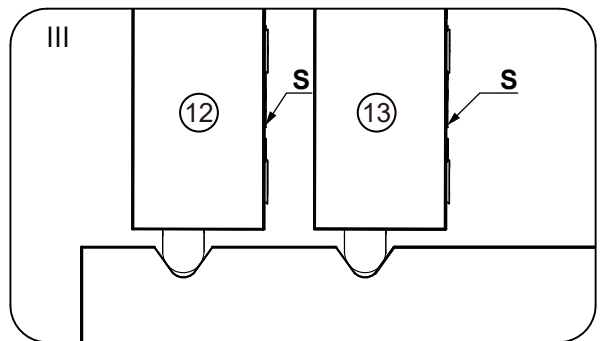
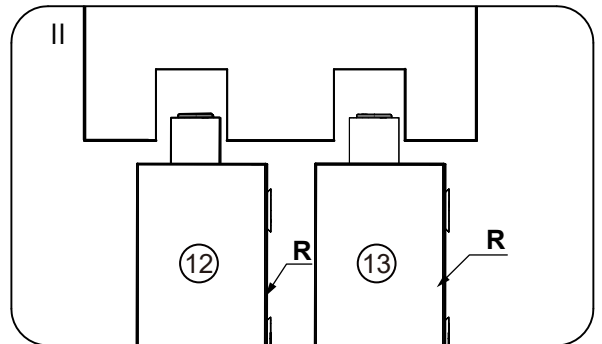
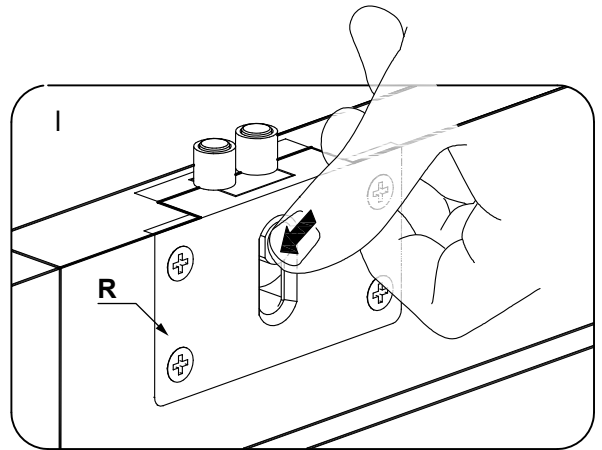
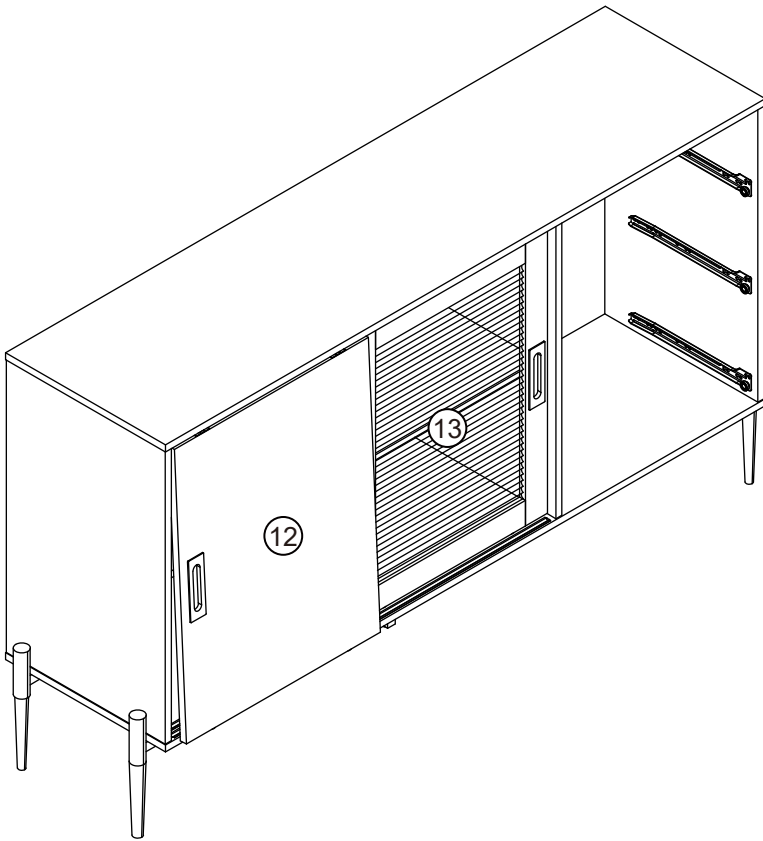
Step 17



Step 18

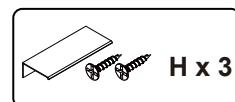
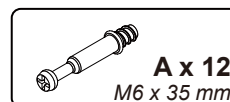
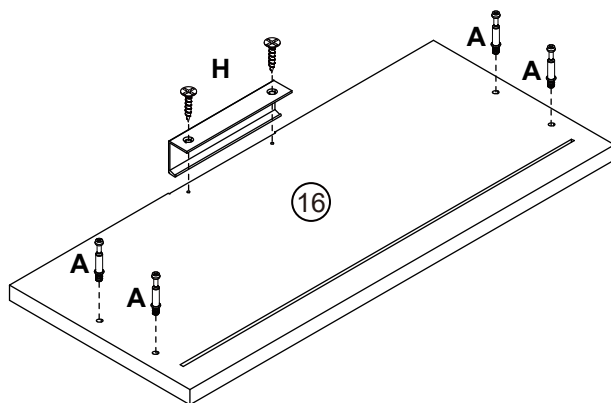


Step 19



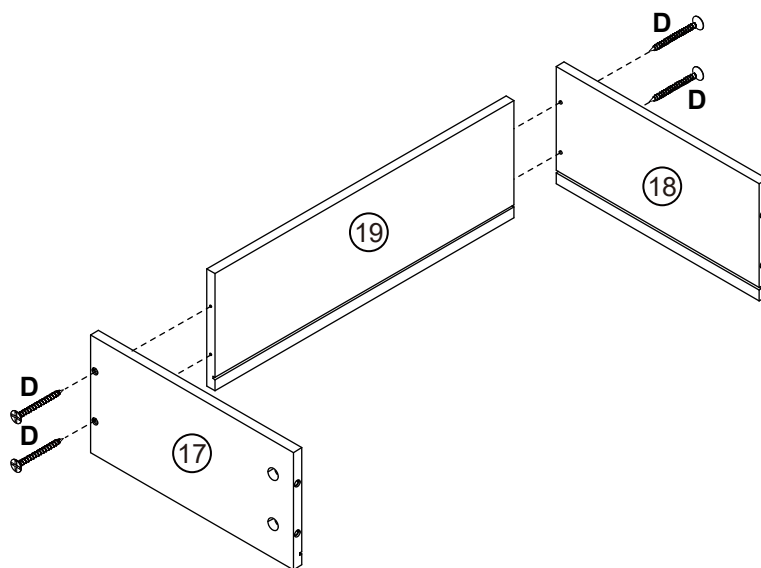
Step 20

x3



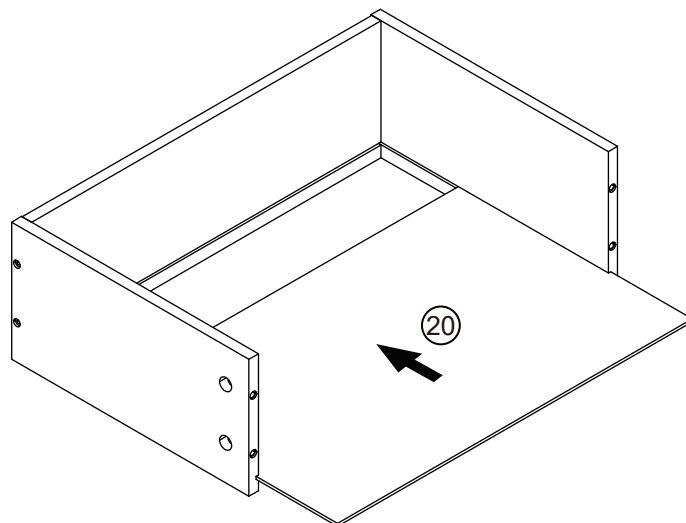
Step 21

x3



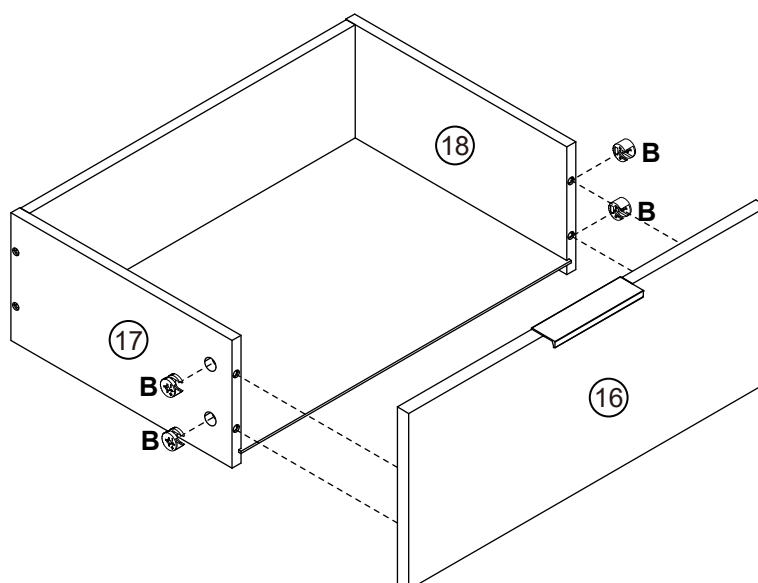
Step 22

x3



Step 23

x3



Step 26

