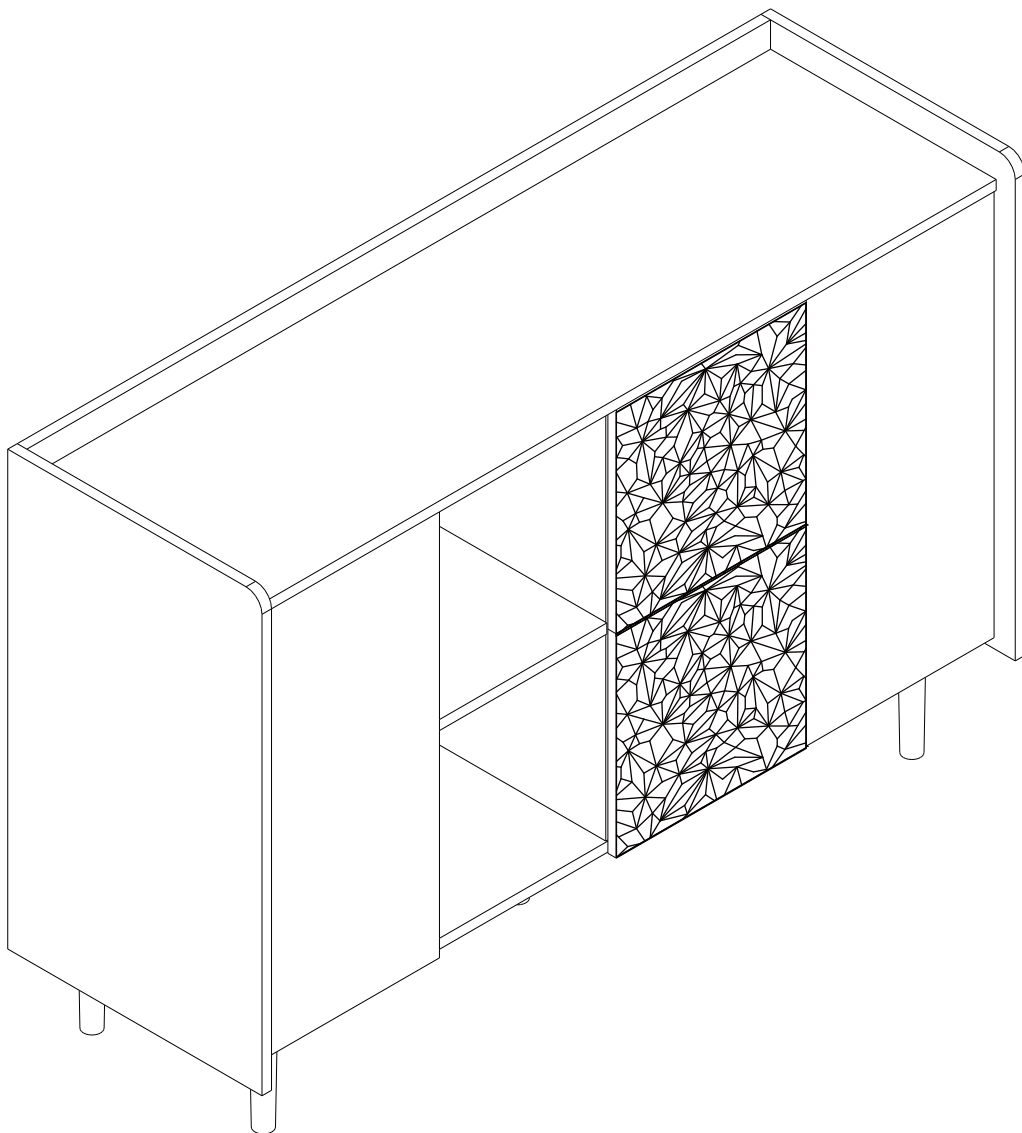
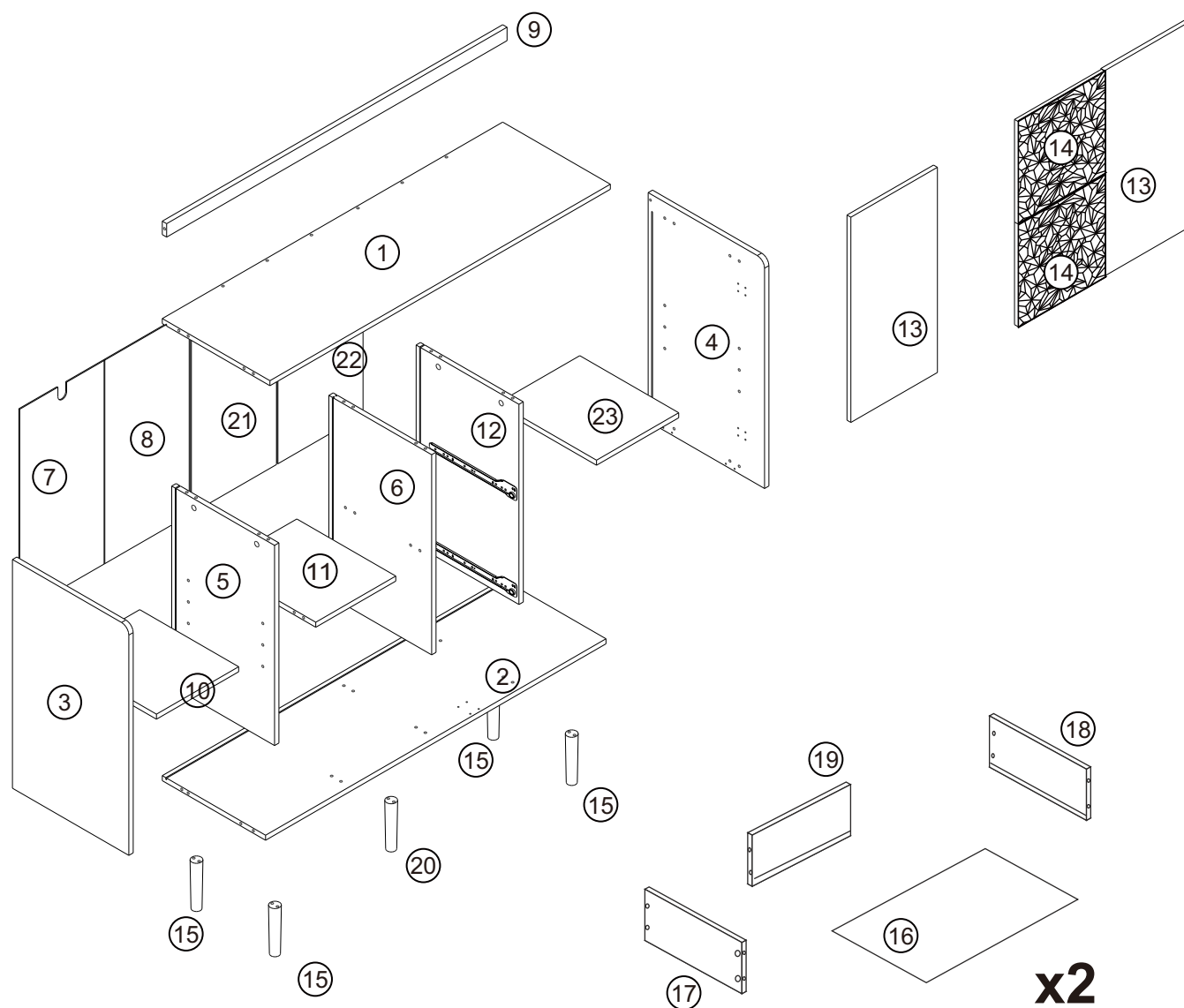


ASSEMBLY INSTRUCTIONS



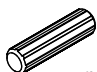


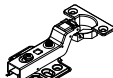




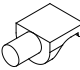

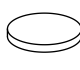

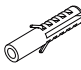
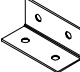




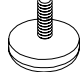
<<Before assembling, read all instructions>>



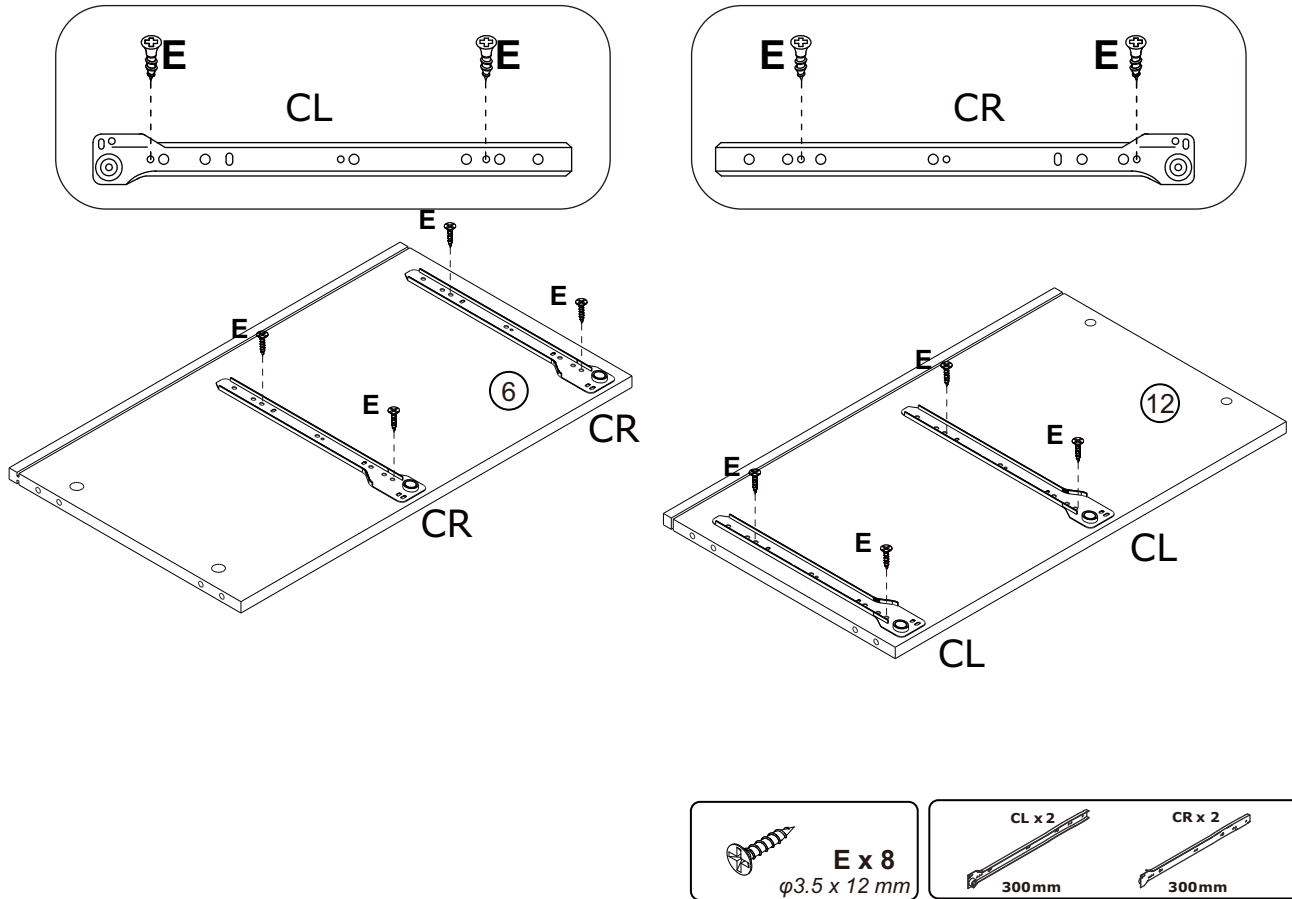
Exploded View



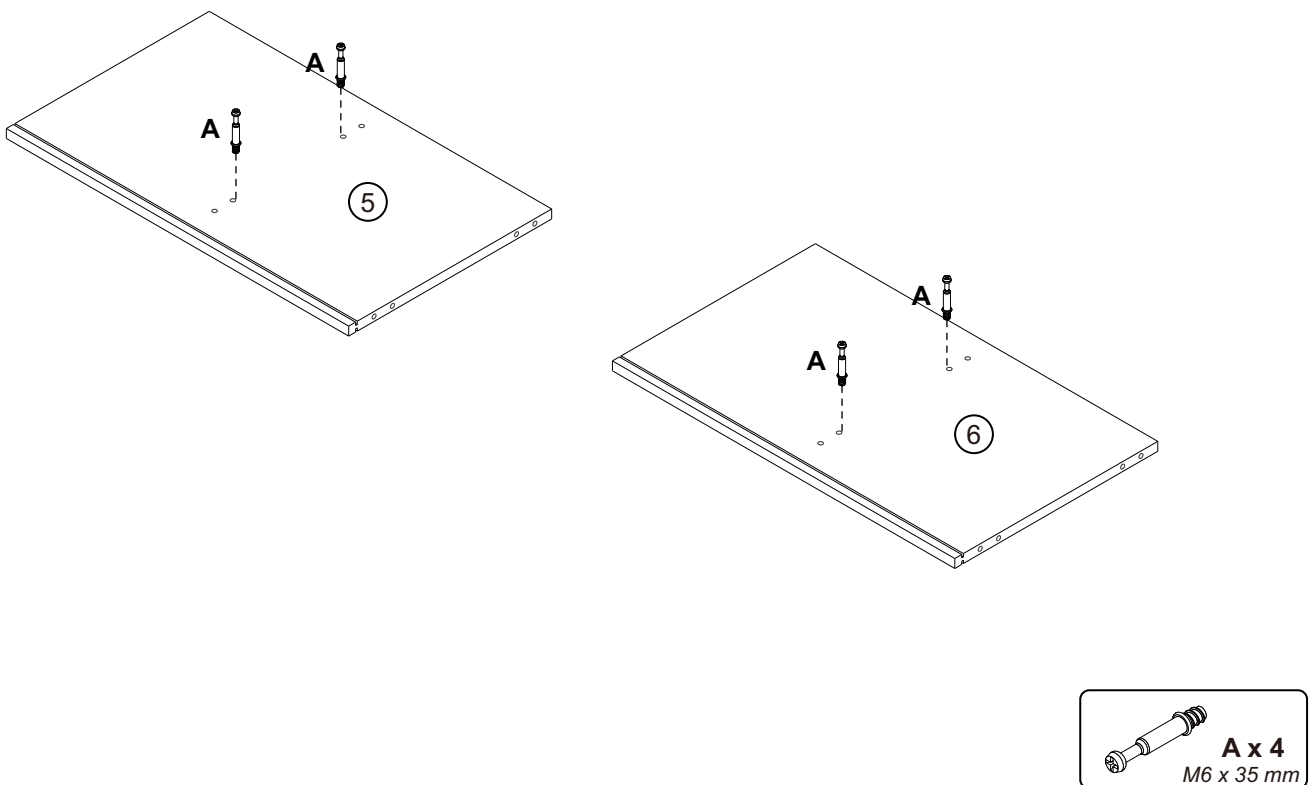
Fittings

 A x 22 M6 x 35 mm	 B x 22 φ15 x 9.5 mm	 C x 32 φ6 x 30 mm	 D x 10 φ4 x 35 mm	 E x 40 φ3.5 x 12 mm
 F x 4	 G x 4 φ4 x 12 mm	 H x 5 62 x 62 x 2 mm	 I x 18 φ4 x 35 mm	 J x 36 φ4 x 12 mm
 K x 8	 L x 2 φ4 x 40 mm	 M x 4 φ25 mm	 N x 2	 O x 2
 P x 4	 CL x 2 300mm	 CR x 2 300mm	 DL x 2 300mm	 DR x 2 300mm
				 Q x 1

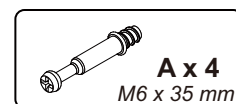
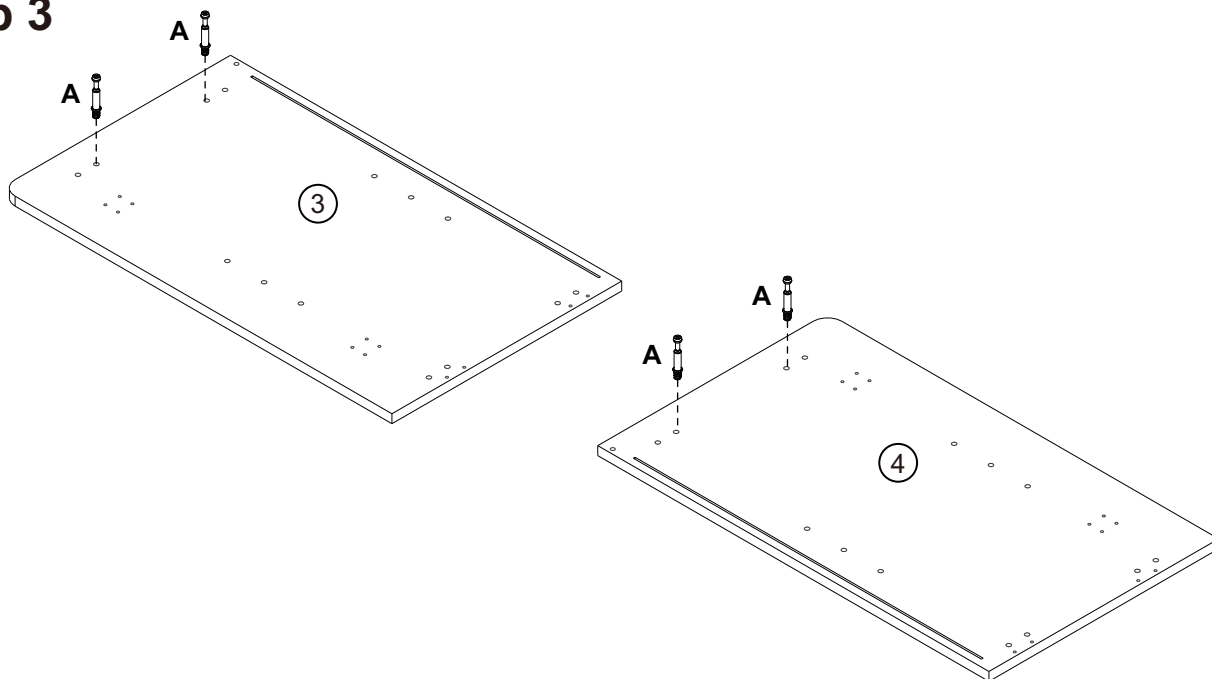
Step 1



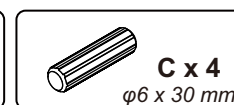
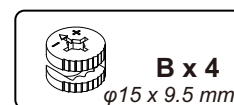
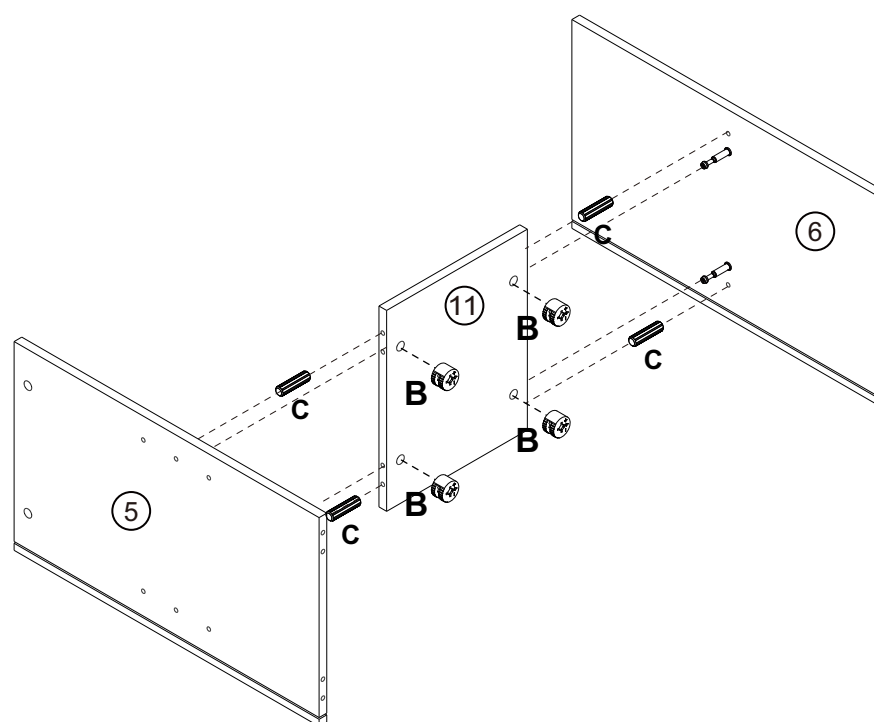
Step 2



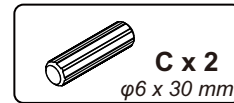
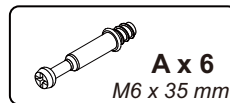
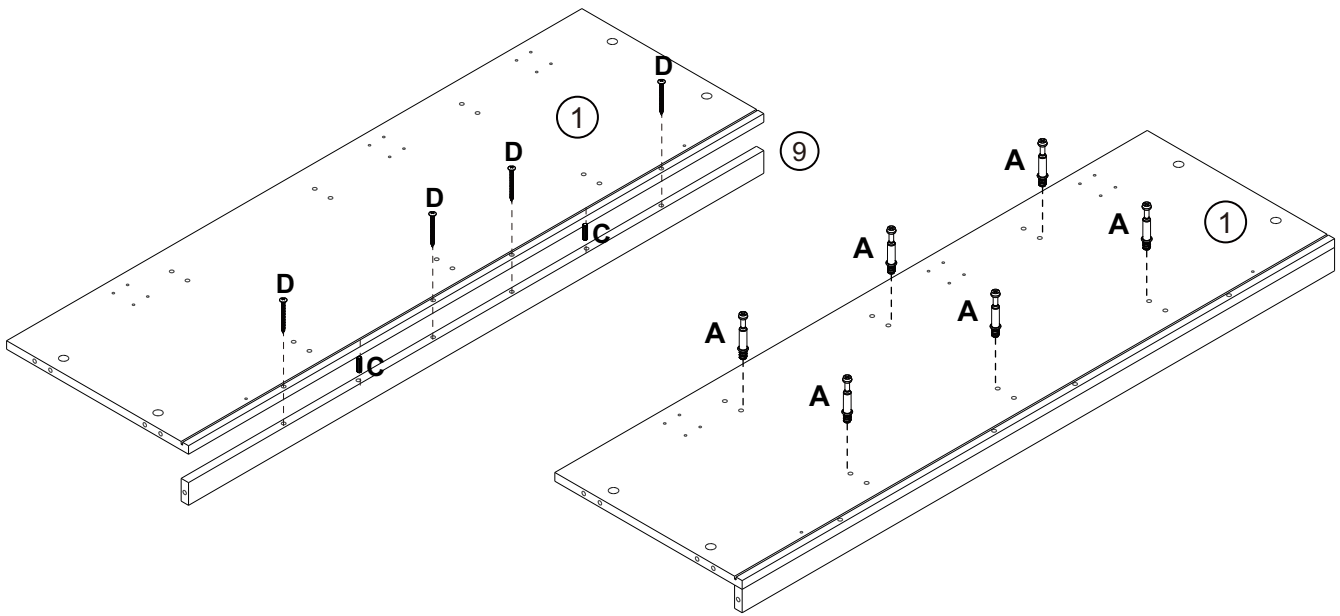
Step 3



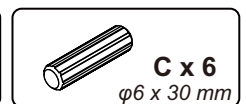
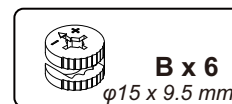
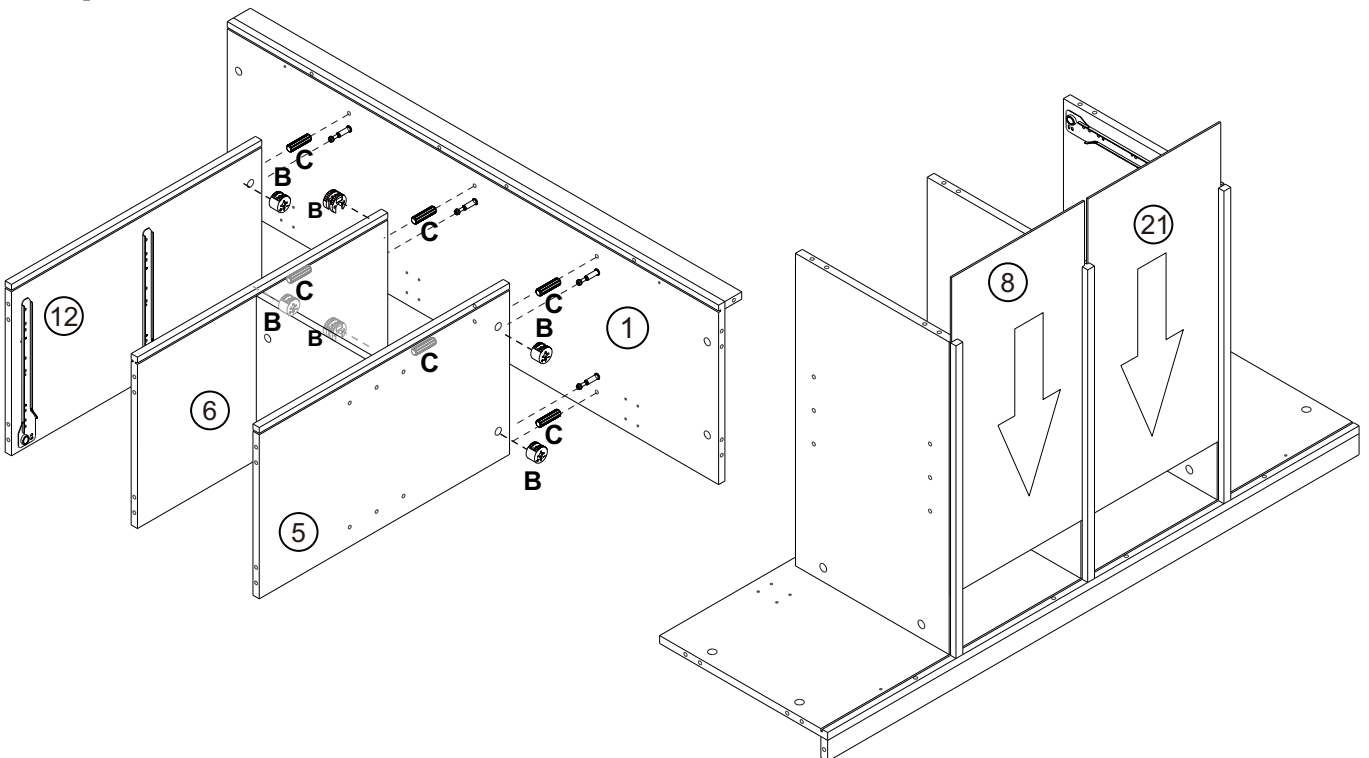
Step 4



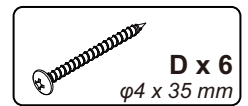
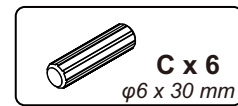
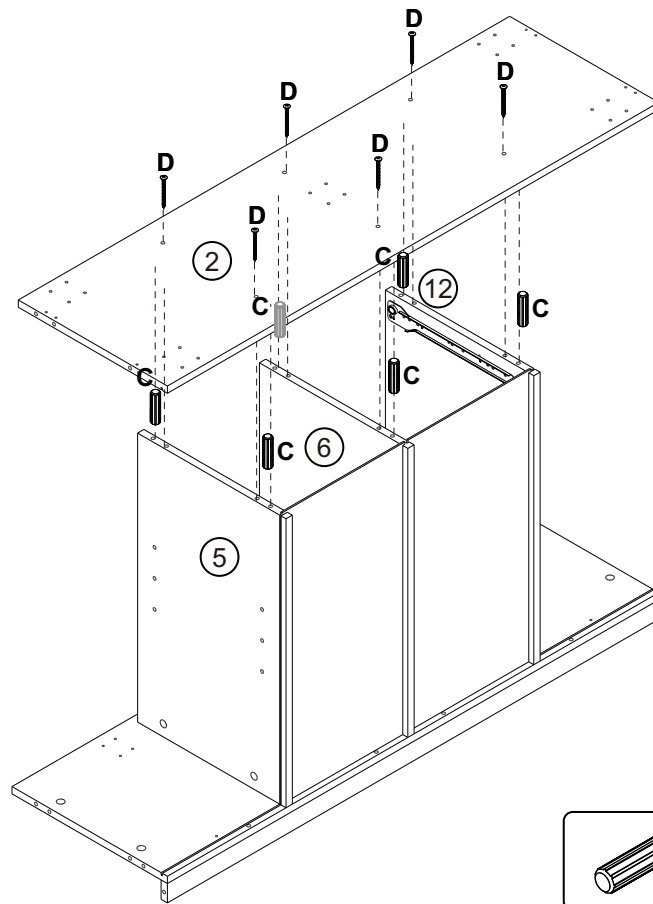
Step 5



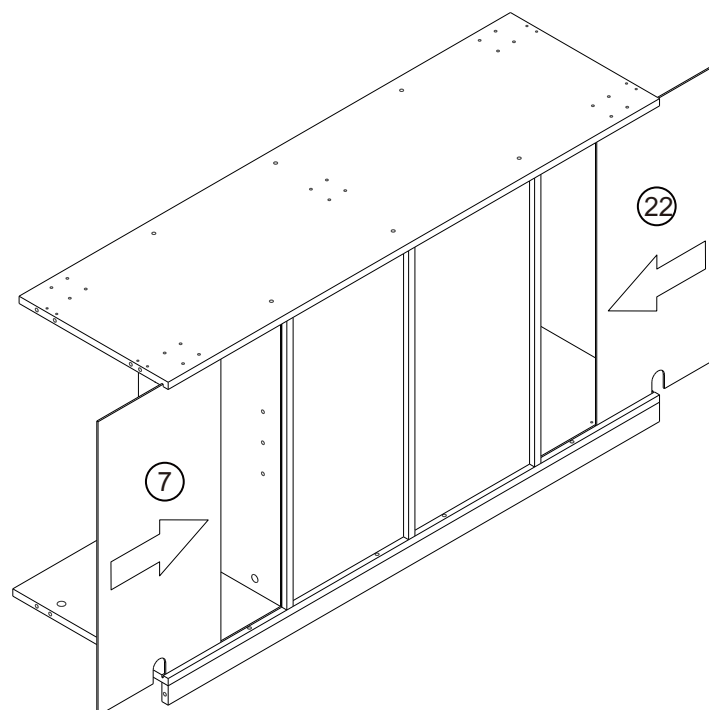
Step 6



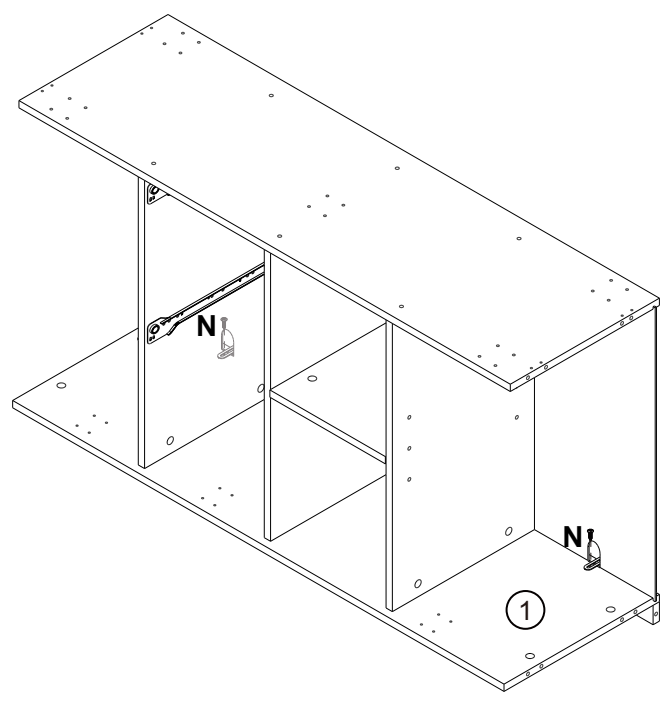
Step 7



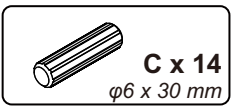
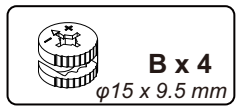
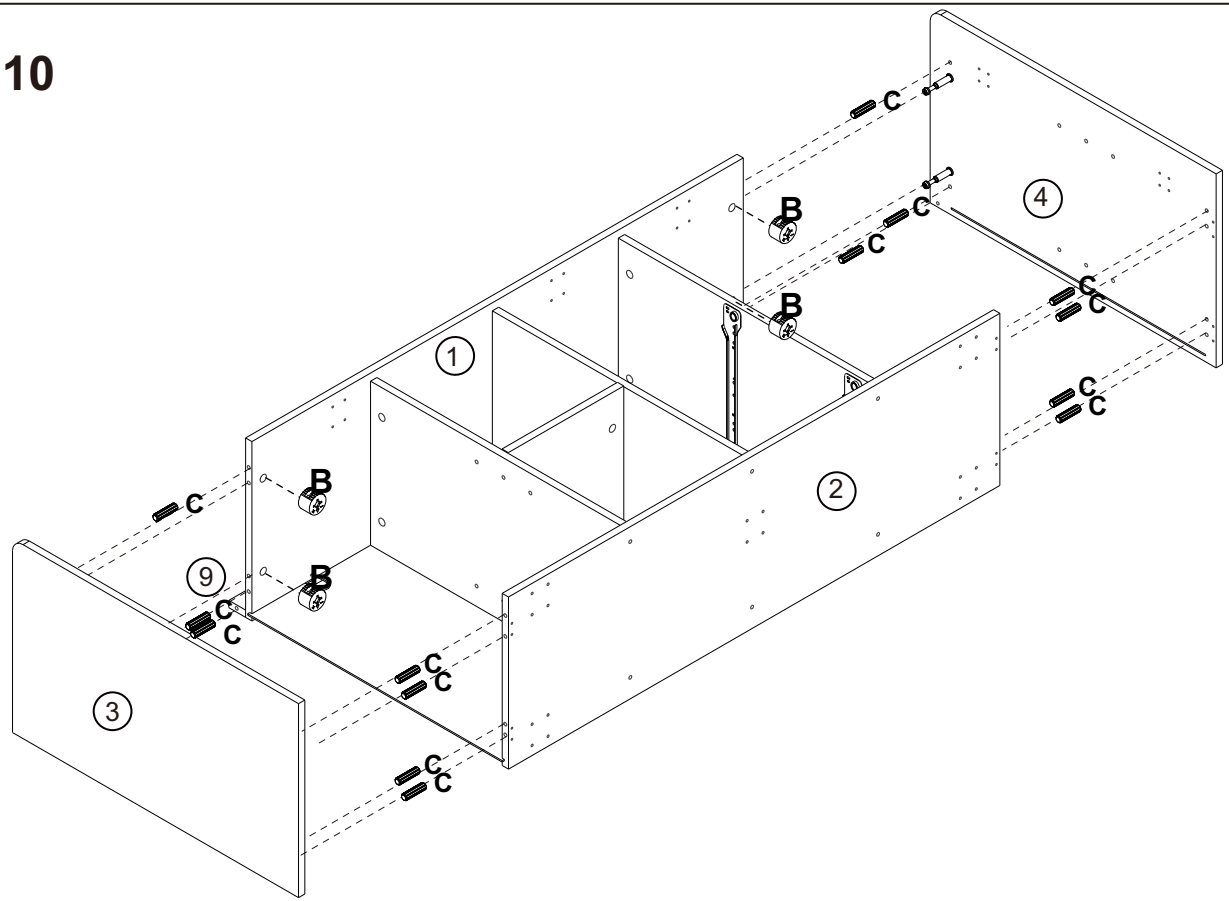
Step 8



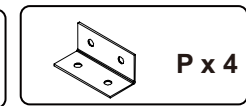
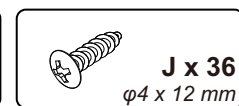
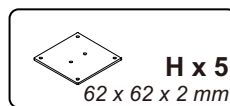
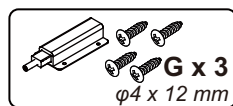
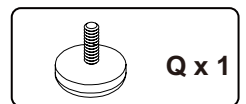
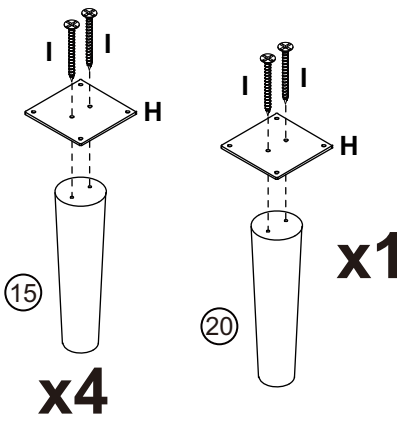
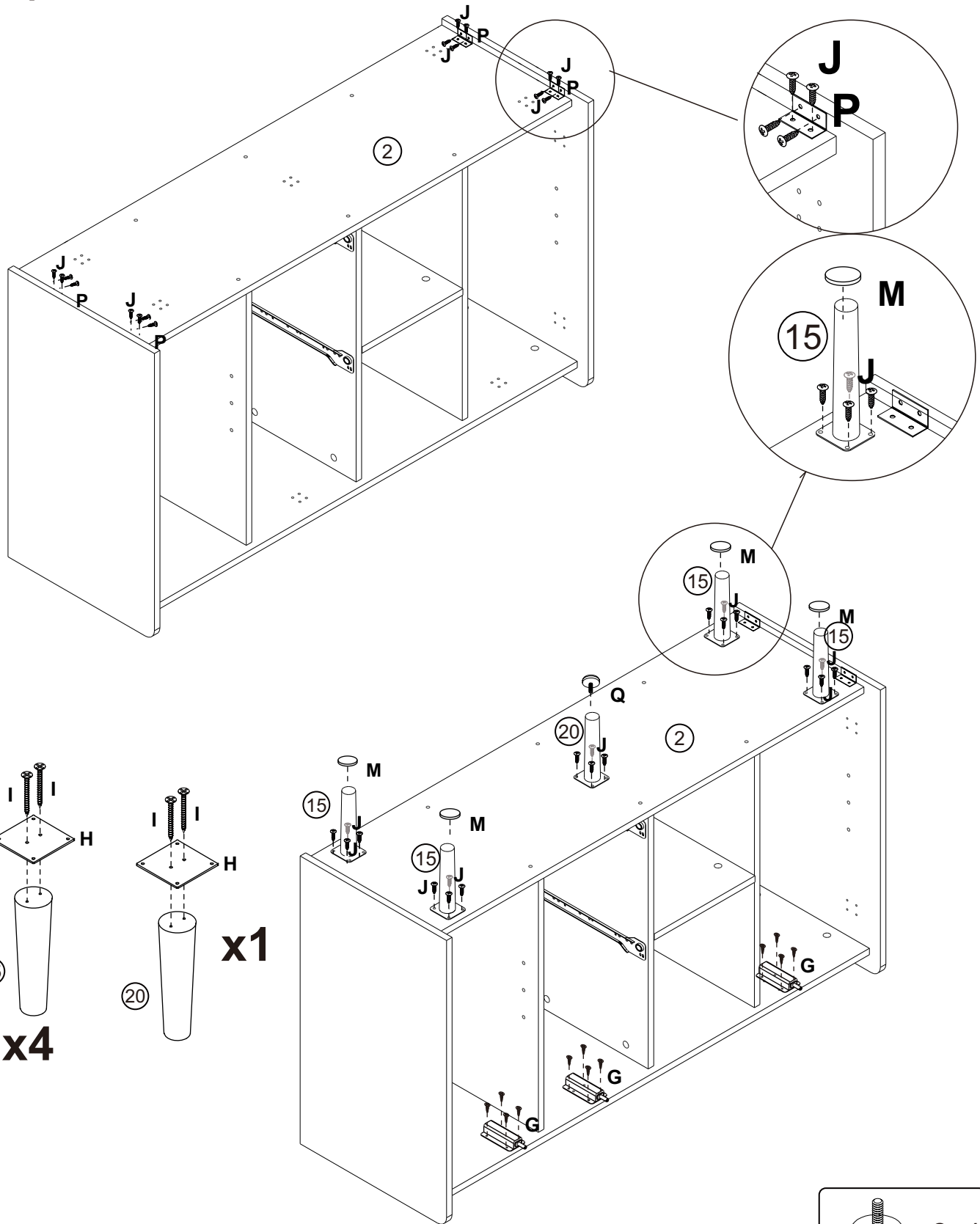
Step 9



Step 10

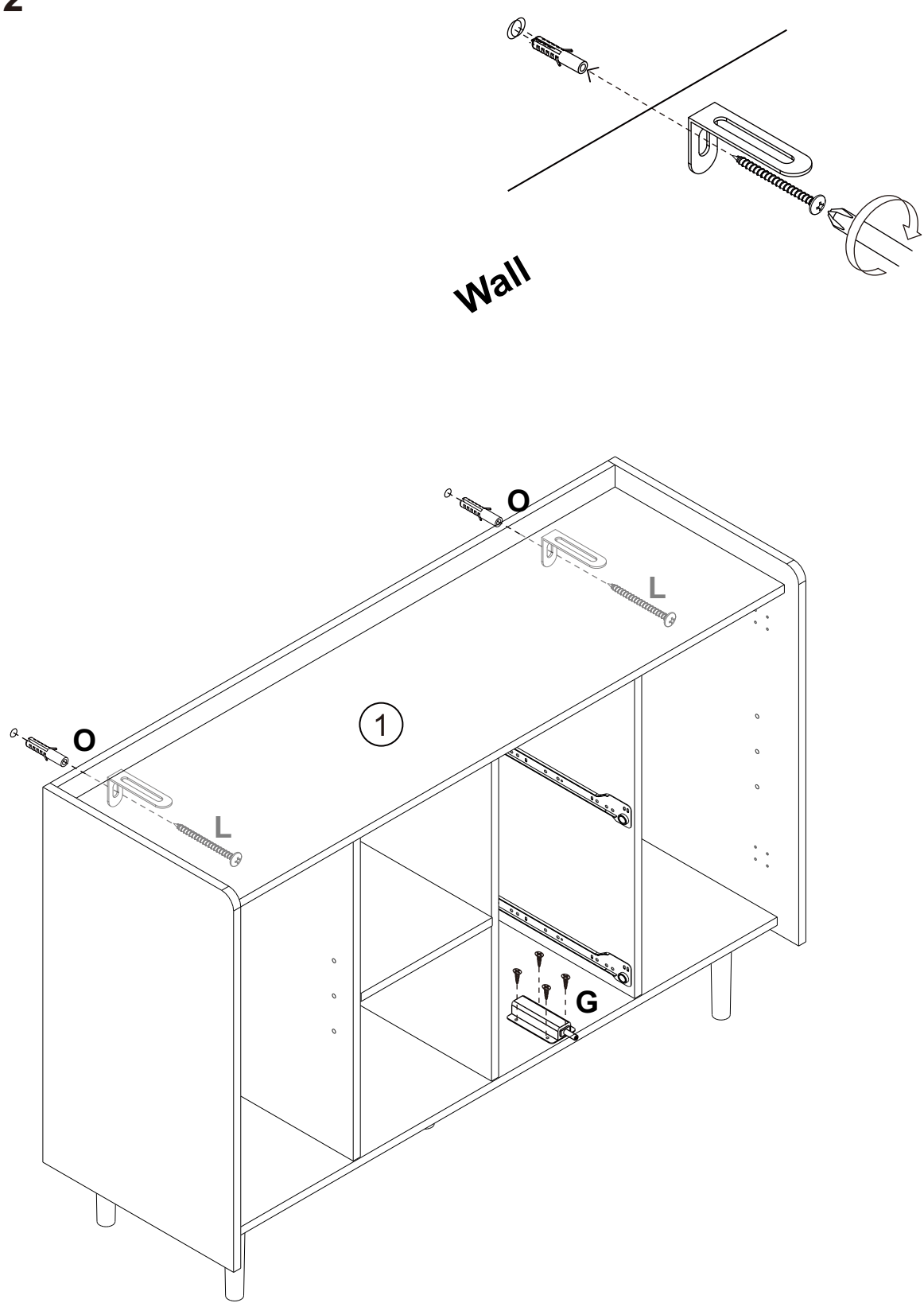


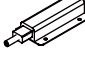
Step 11




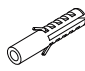
Step 12

Wall

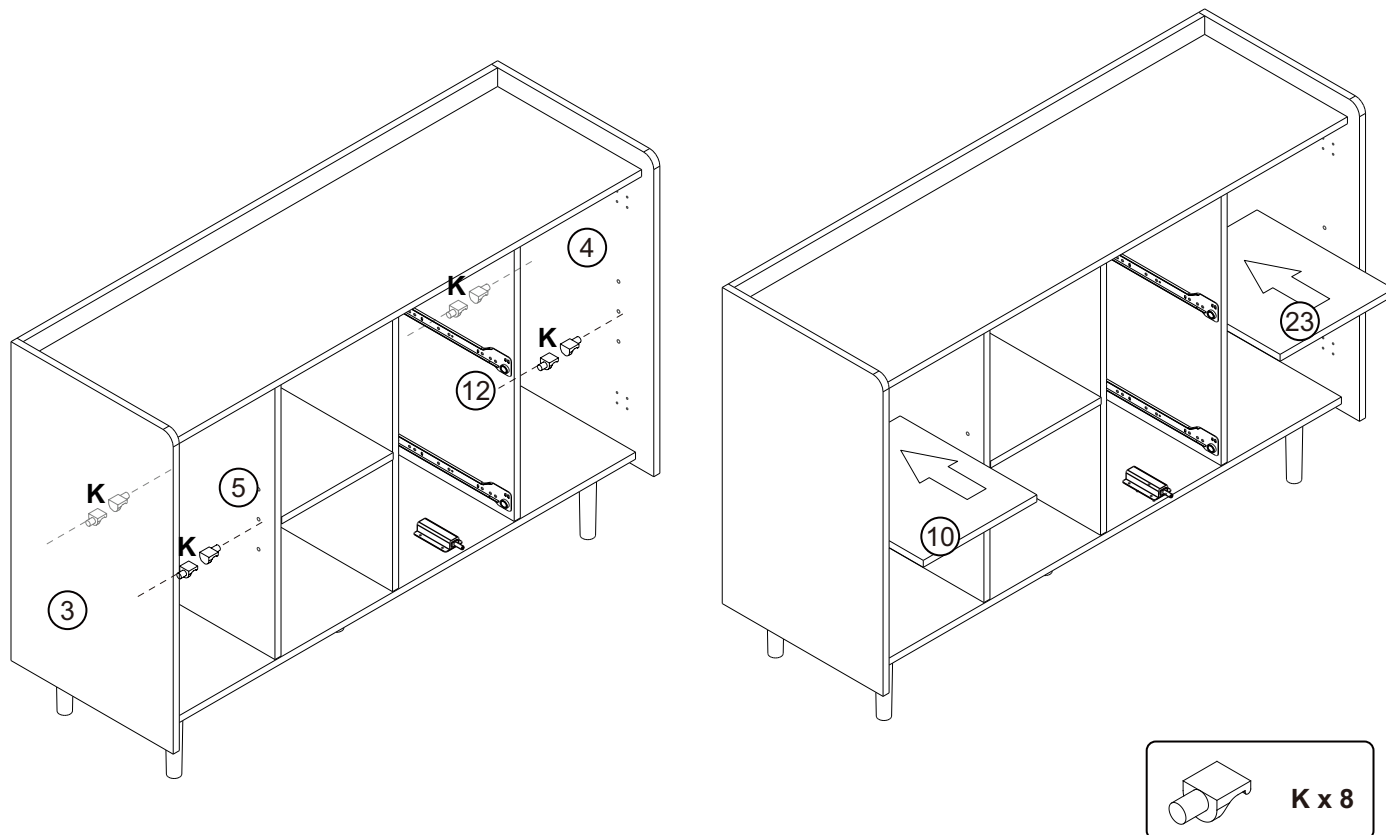


 **G x 1**
 $\phi 4 \times 12 \text{ mm}$

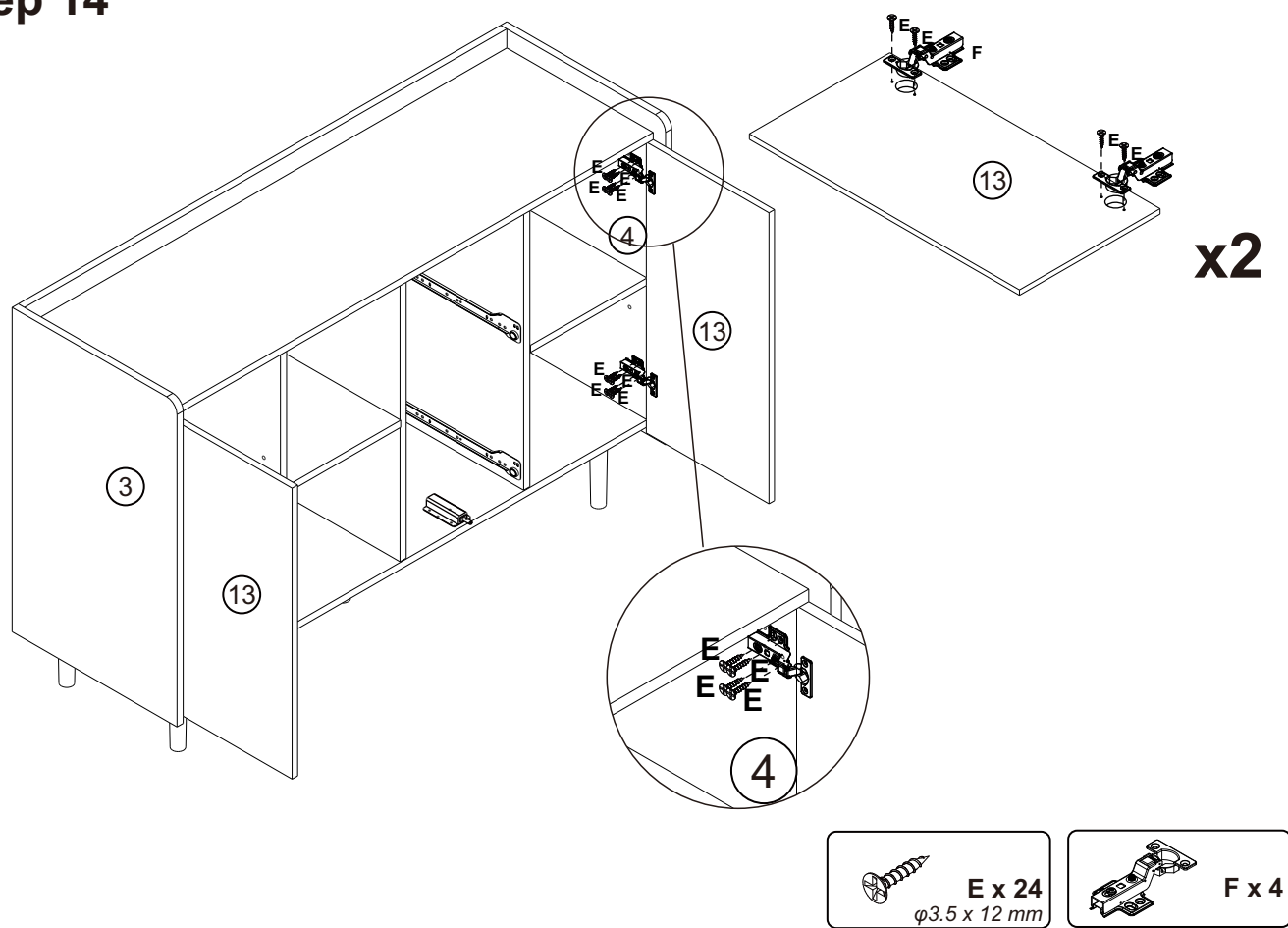
 **L x 2**
 $\phi 4 \times 40 \text{ mm}$

 **O x 2**

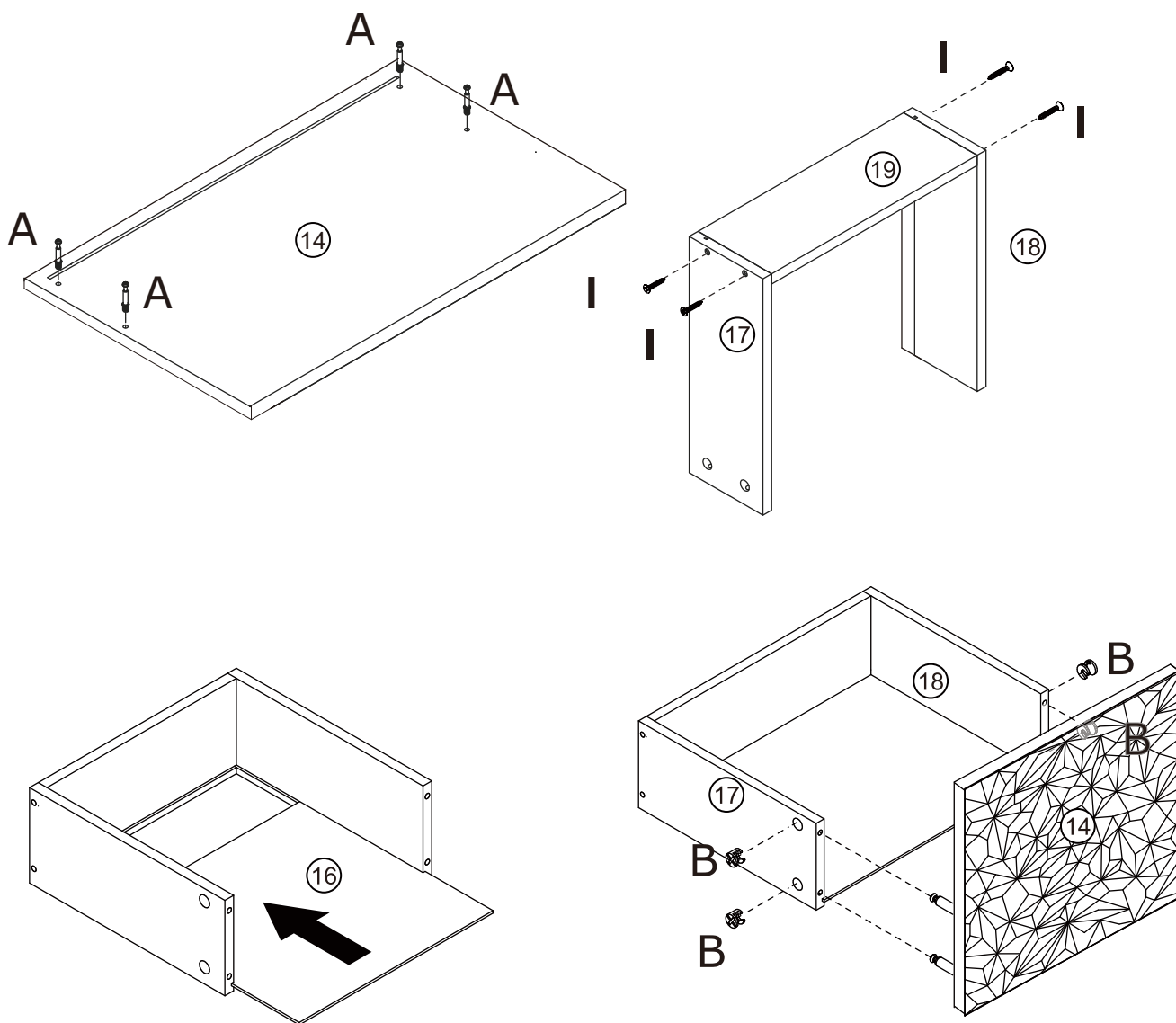
Step 13



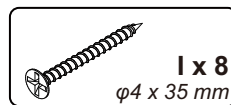
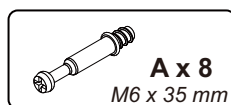
Step 14



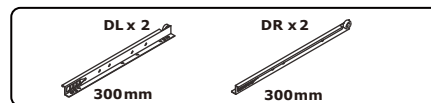
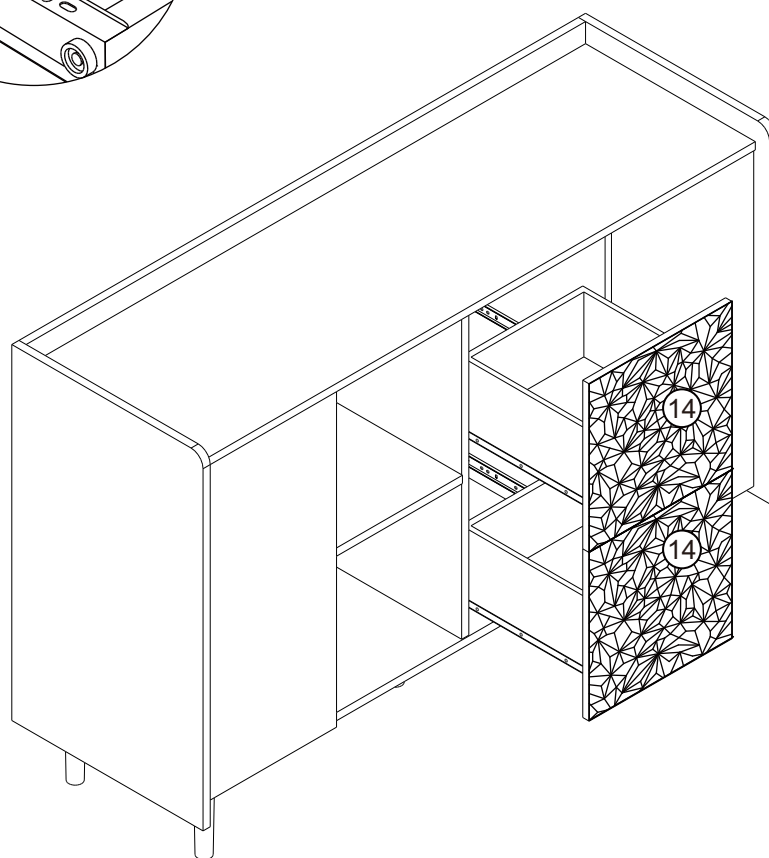
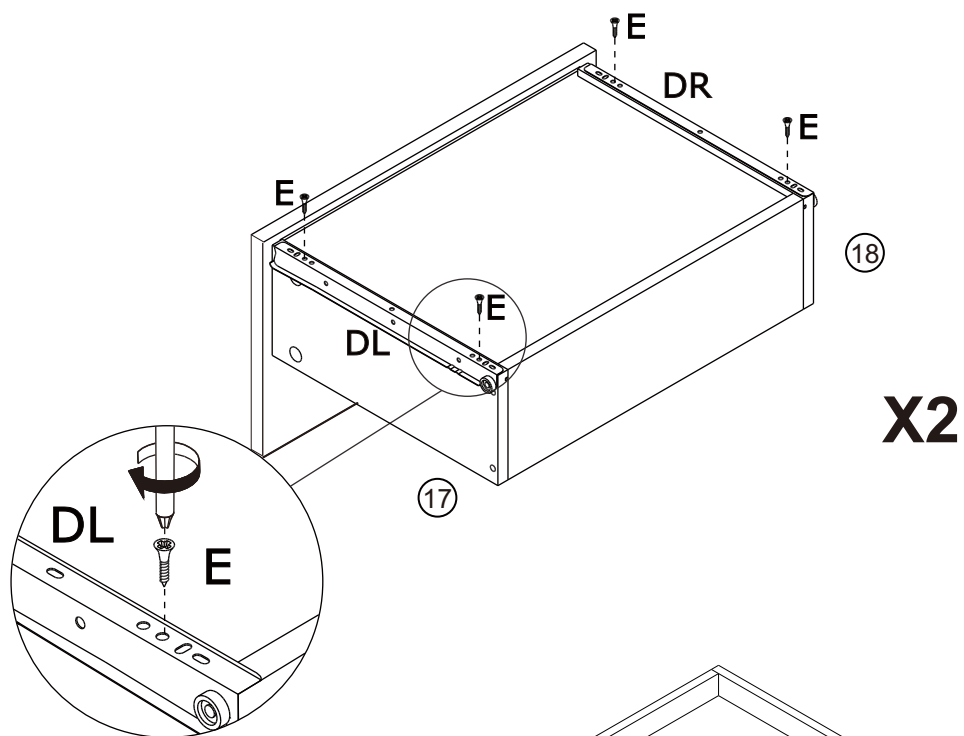
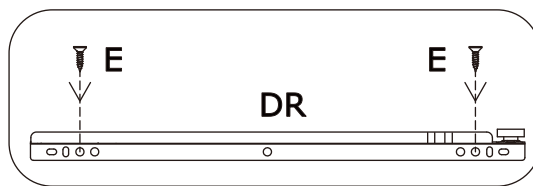
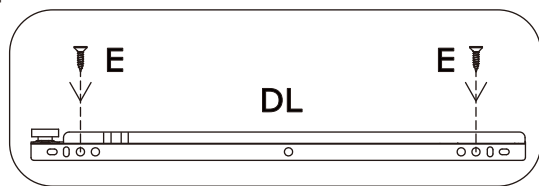
Step 15



X2



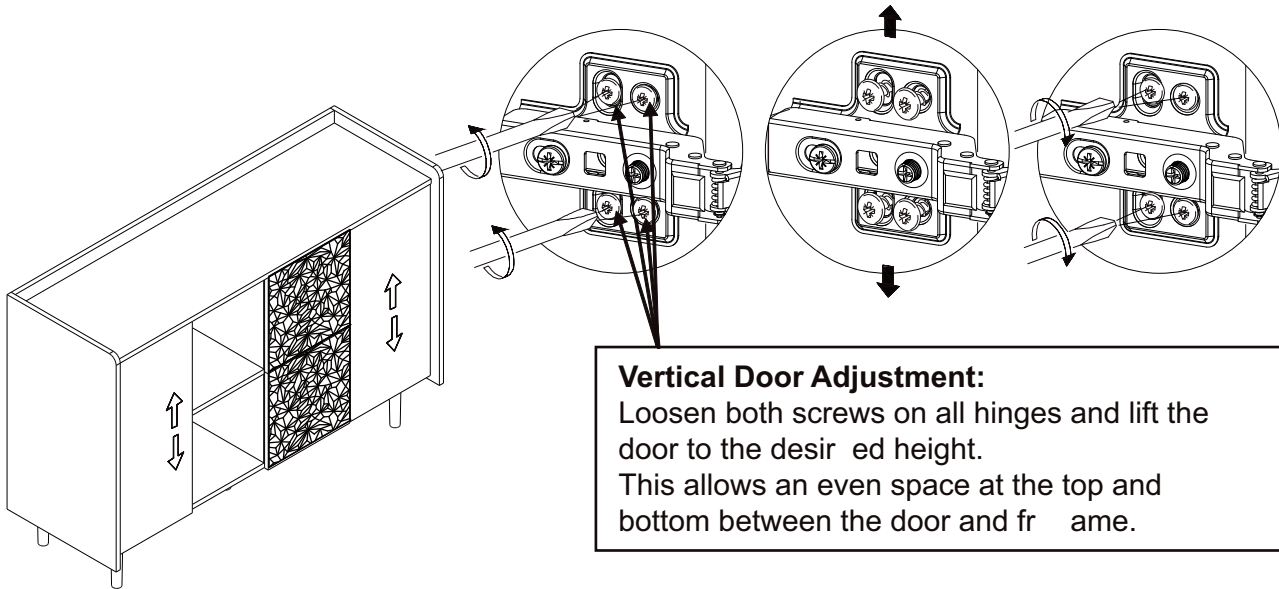
Step 16





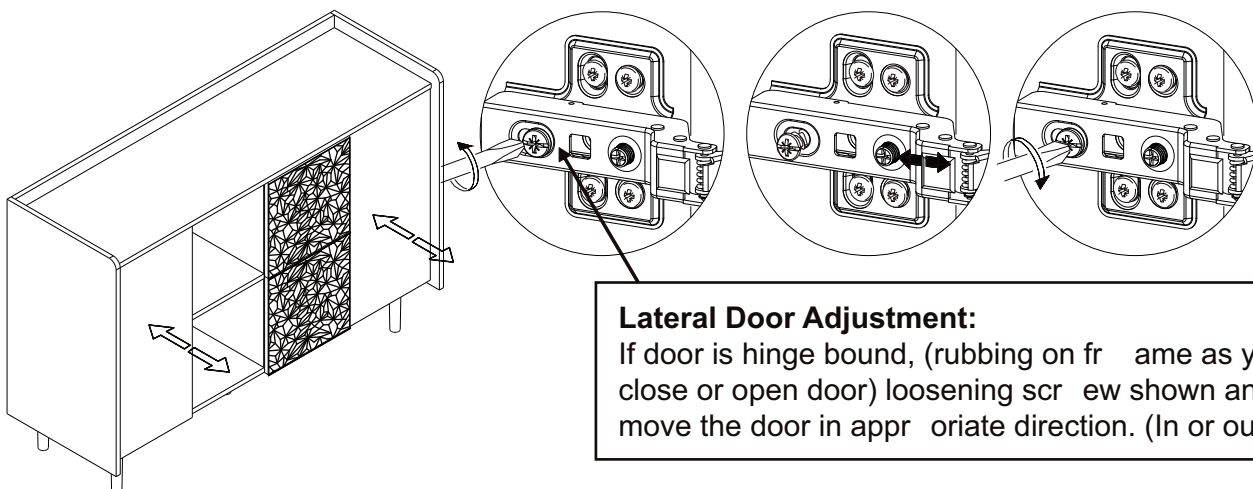
Customer Attention:

To align doors and control gap in between doors. Product doors may need adjusting during and after assembly. This can be done by adjusting appropriate screws. See below illustration.



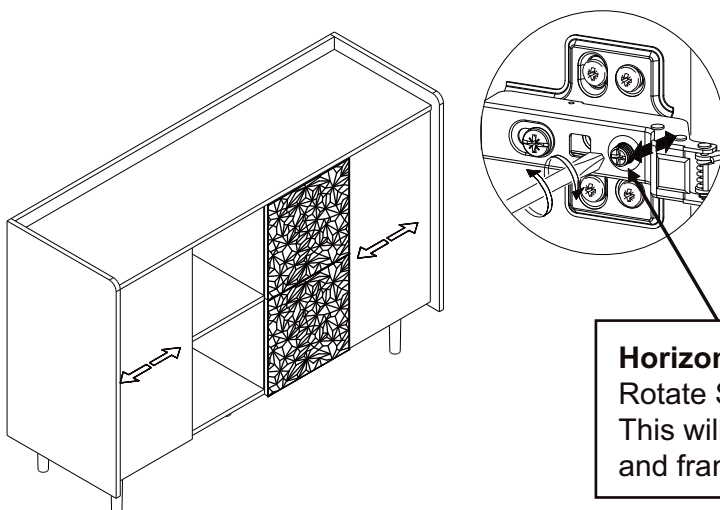
Vertical Door Adjustment:

Loosen both screws on all hinges and lift the door to the desired height. This allows an even space at the top and bottom between the door and frame.



Lateral Door Adjustment:

If door is hinge bound, (rubbing on frame as you close or open door) loosening screw shown and move the door in appropriate direction. (In or out)



Horizontal Door Adjustment:

Rotate Screw clockwise or anticlockwise. This will produce an even gap between doors and frame.