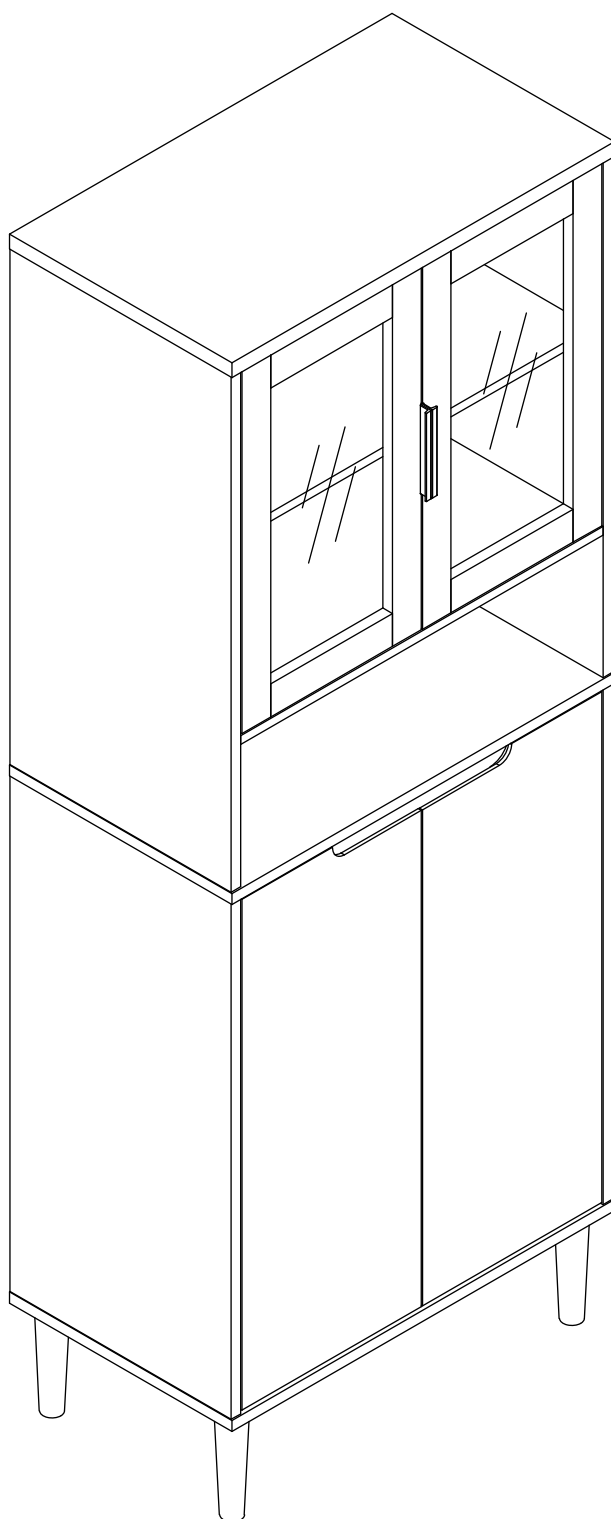
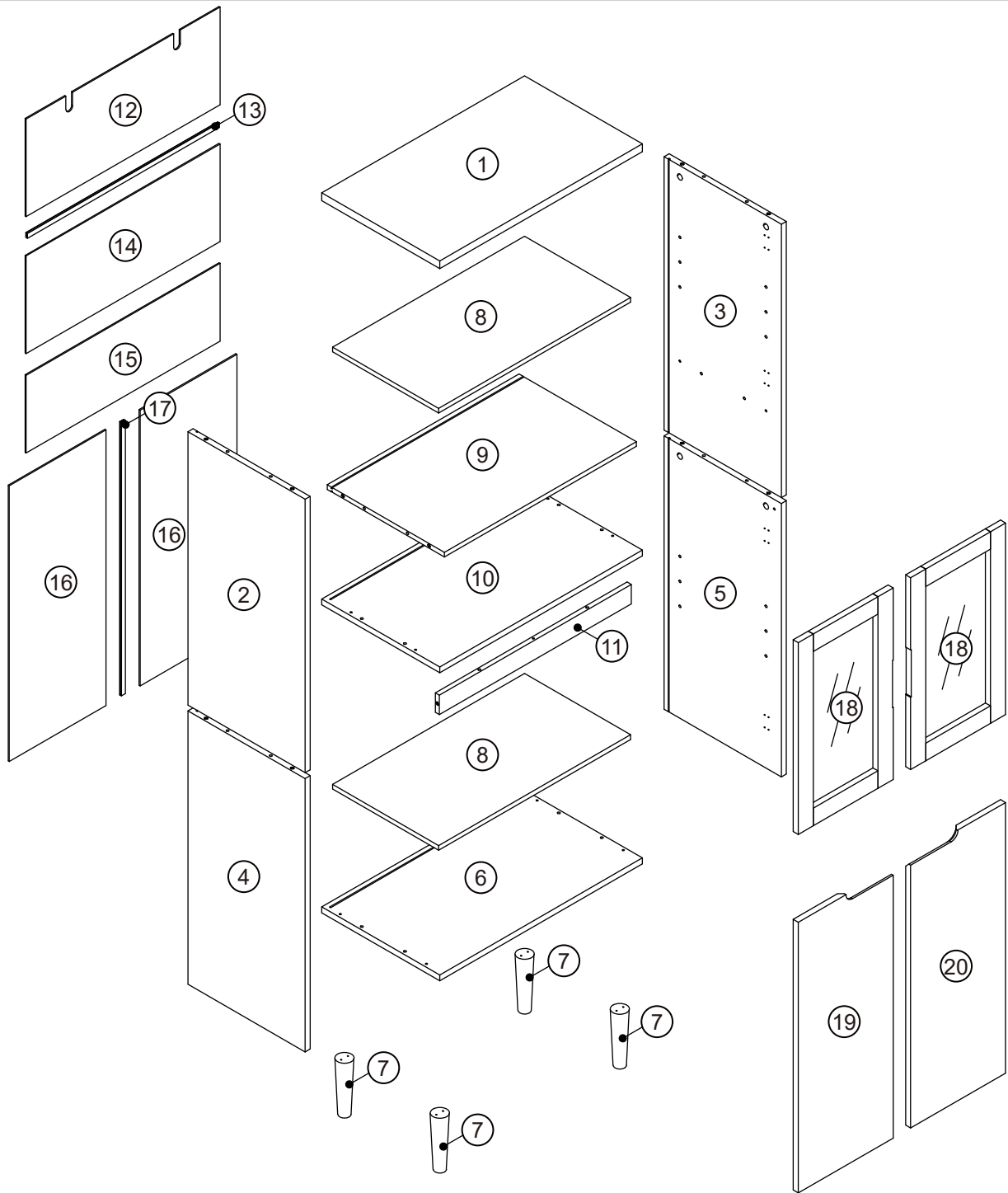


# ASSEMBLY INSTRUCTIONS



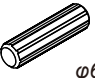



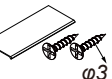
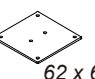

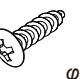
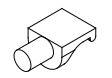
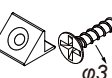



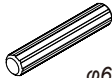

<<Before assembling, read all instructions>>



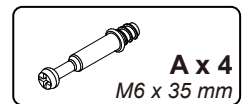
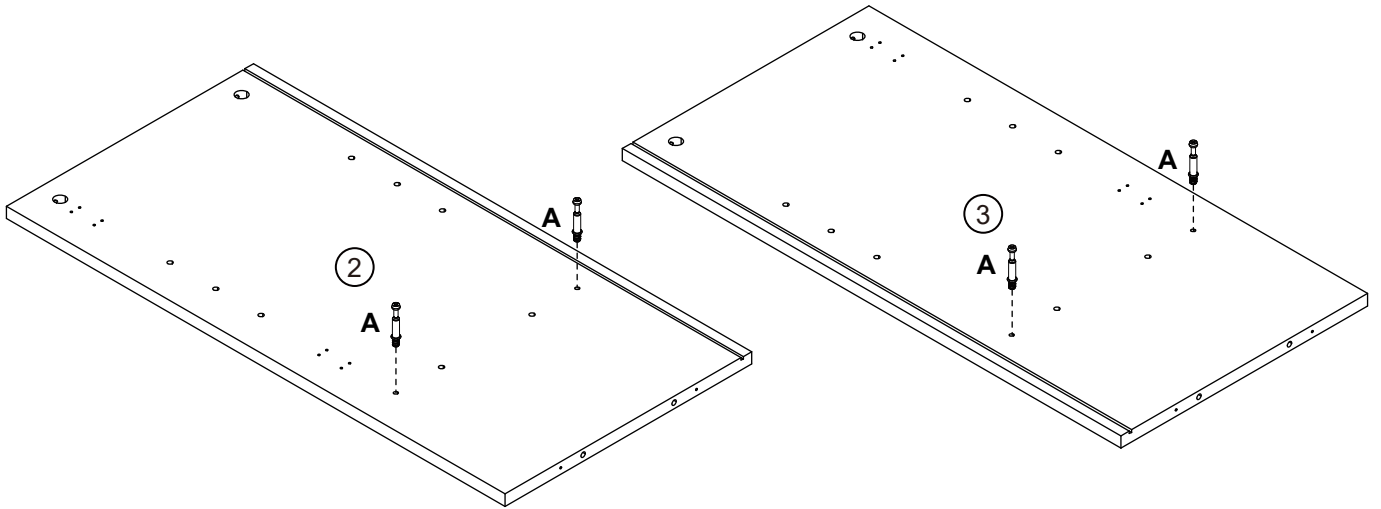
# Exploded View



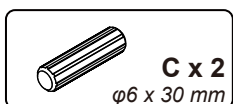
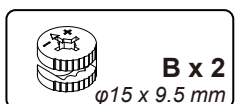
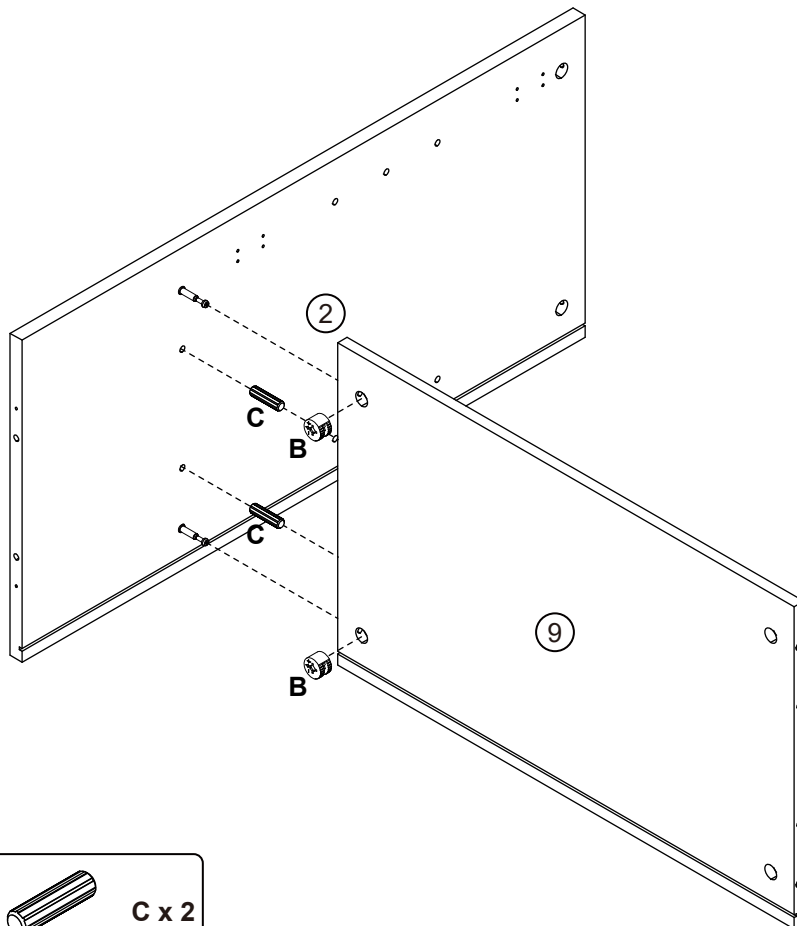
## Fittings

 <b>A x 14</b> M6 x 35 mm	 <b>B x 14</b> φ15 x 9.5 mm	 <b>C x 14</b> φ6 x 30 mm	 <b>D x 8</b> φ4 x 35 mm	 <b>E x 48</b> φ3.5 x 12 mm
 <b>F x 8</b>	 <b>G x 2</b> φ3 x 12 mm	 <b>H x 4</b> 62 x 62 x 2 mm	 <b>I x 8</b> φ4 x 35 mm	 <b>J x 16</b> φ4 x 12 mm
 <b>K x 8</b>	 <b>L x 8</b> φ3 x 16 mm	 <b>M x 4</b> φ25 mm	 <b>N x 2</b>	 <b>O x 2</b>
 <b>P x 4</b> φ6 x 50 mm	 <b>Q x 3</b> φ4 x 40 mm			

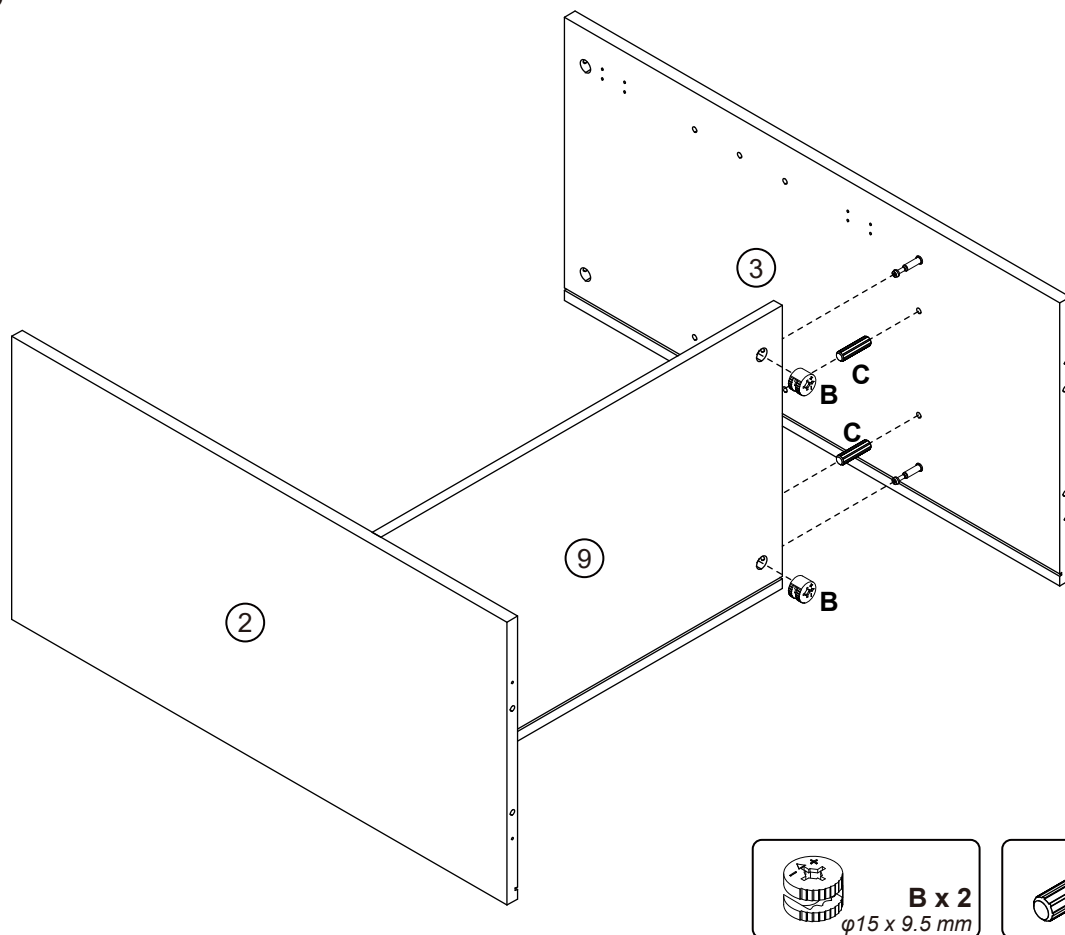
# Step 1



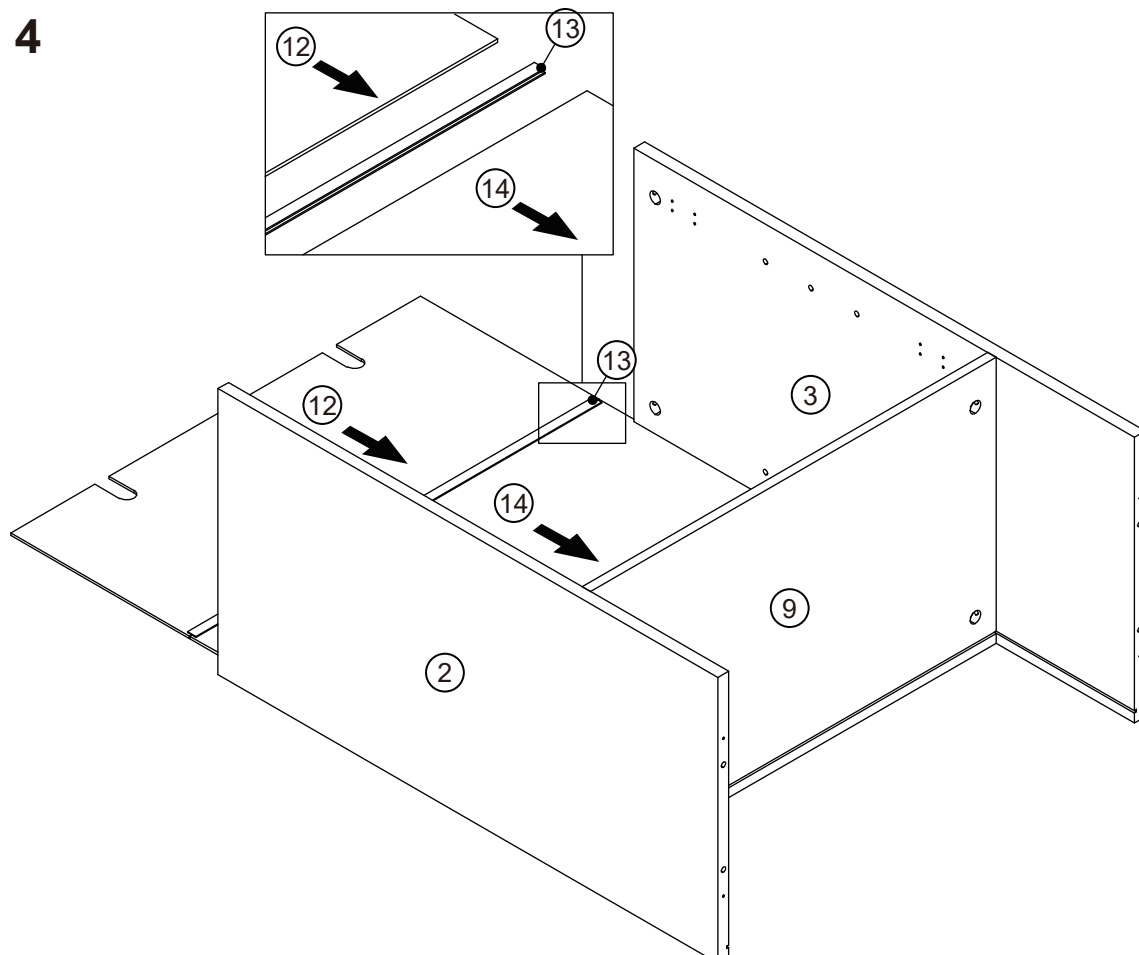
# Step 2



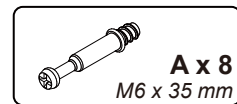
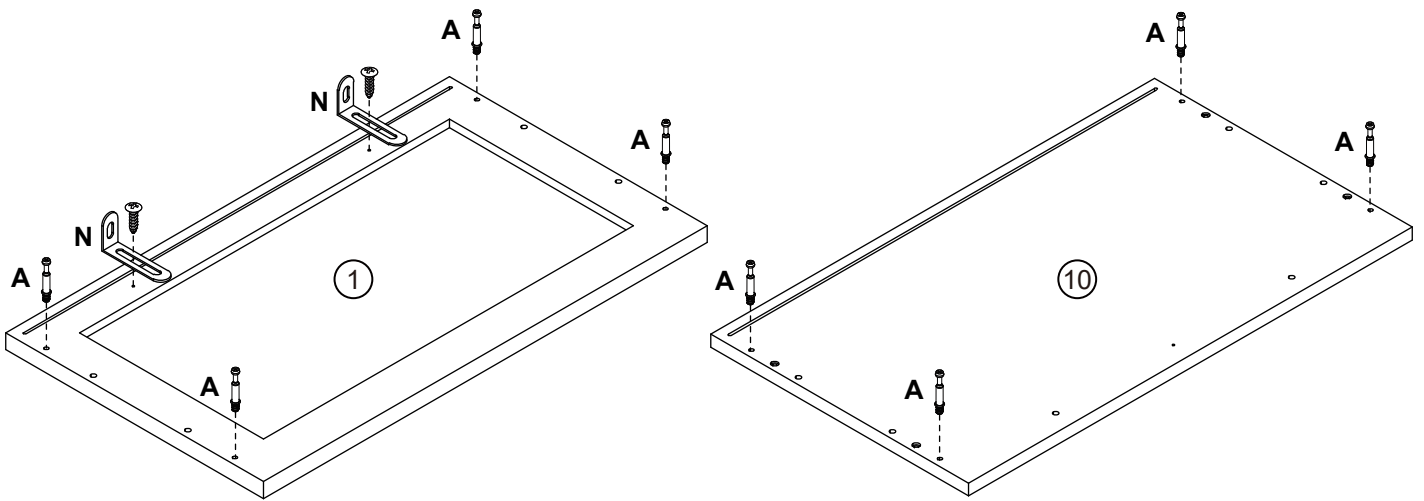
## Step 3



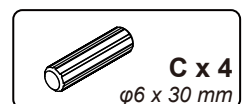
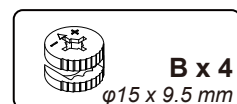
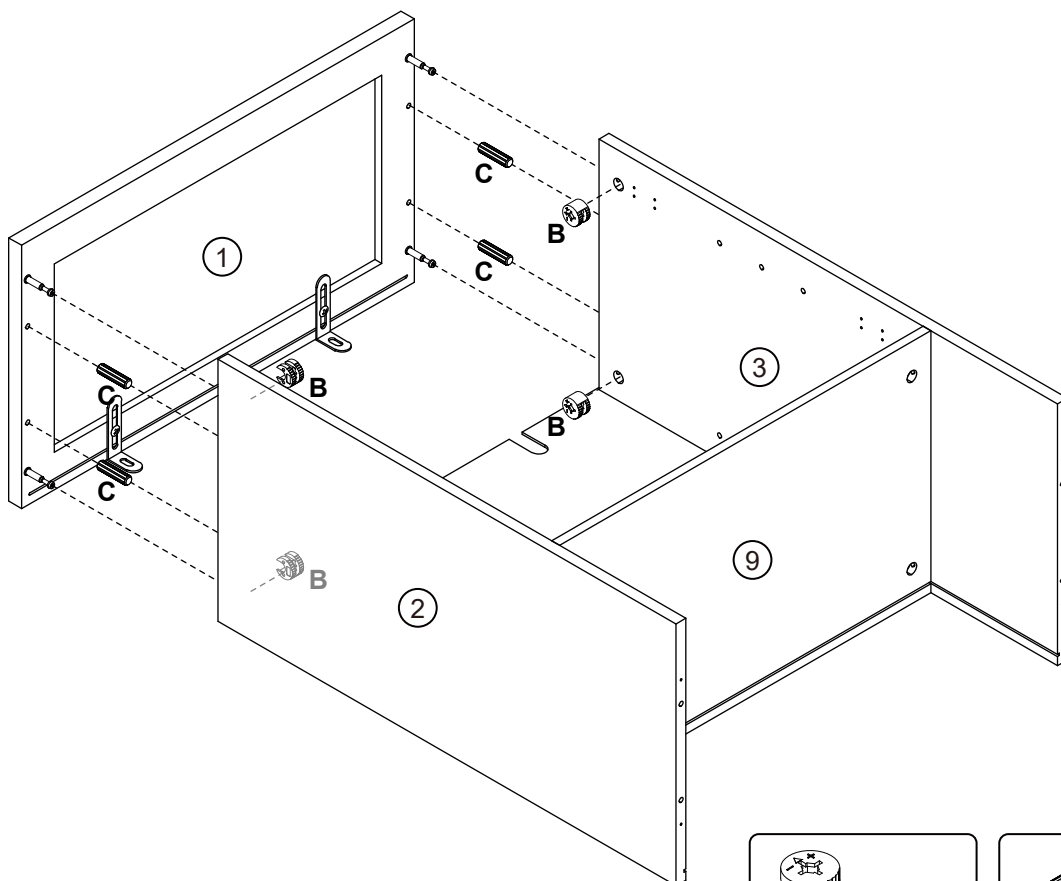
## Step 4



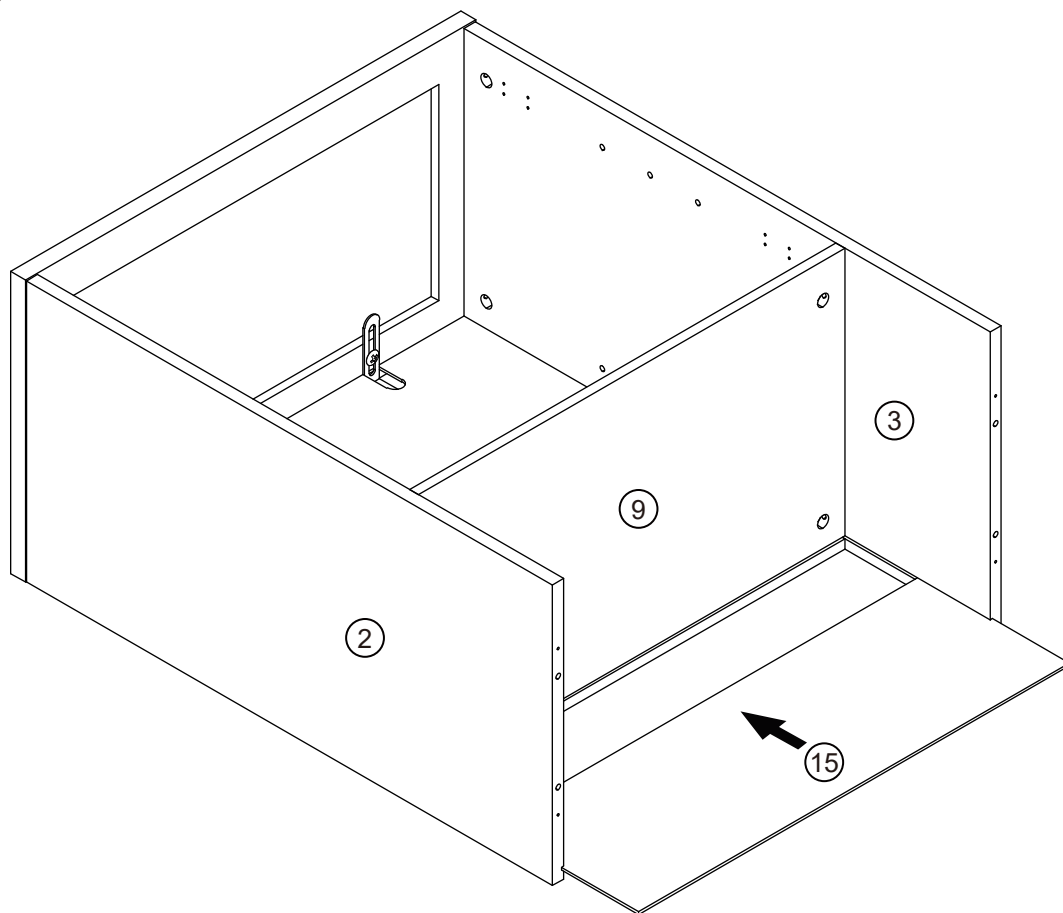
## Step 5



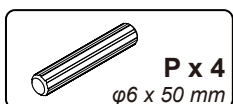
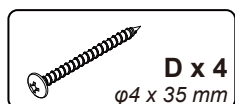
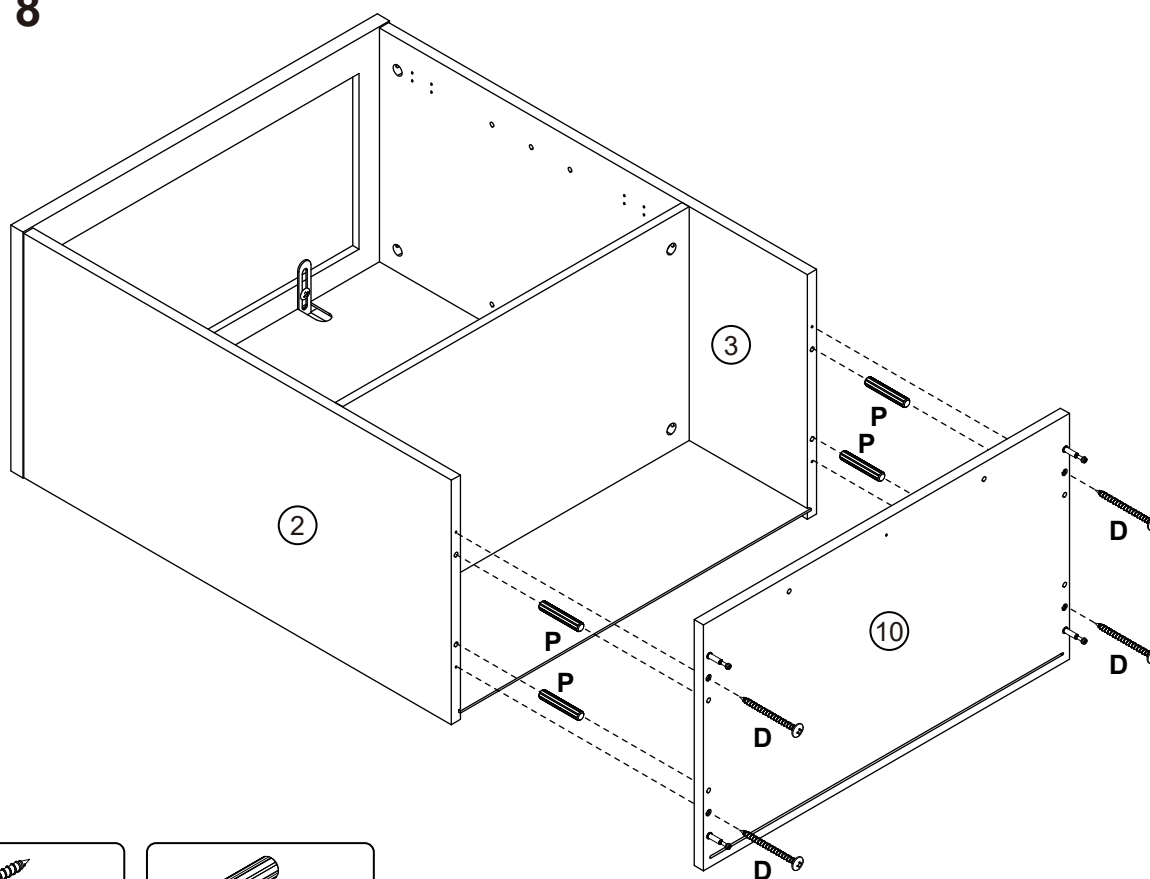
## Step 6



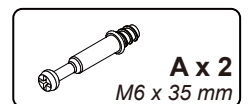
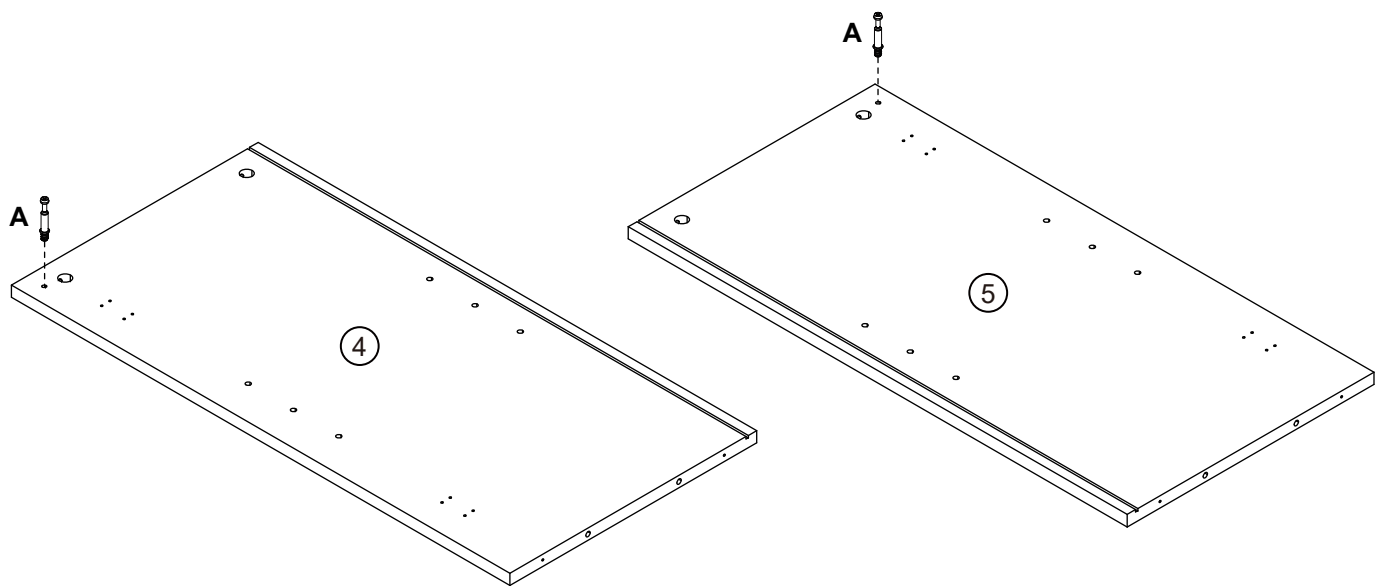
## Step 7



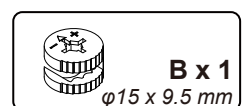
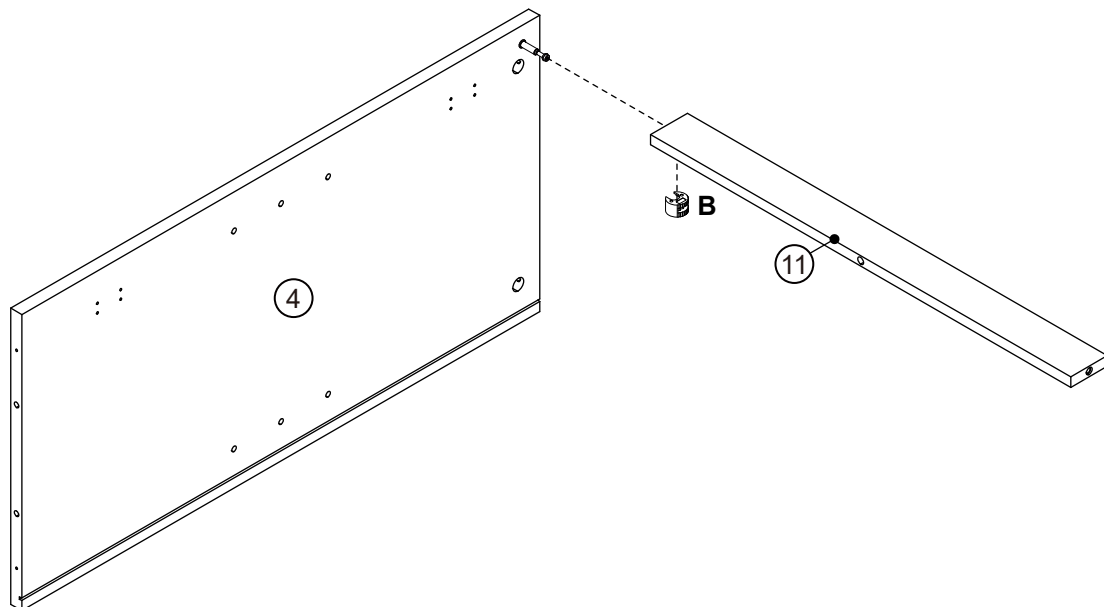
## Step 8



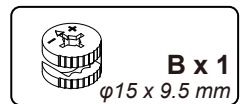
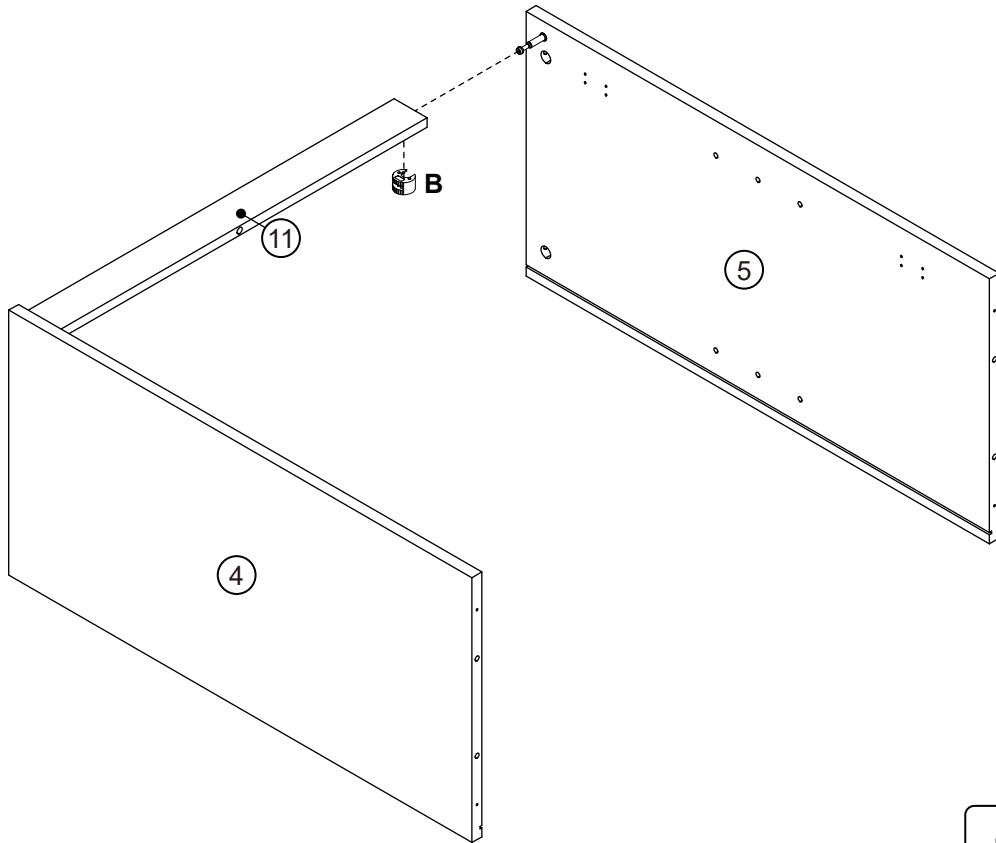
## Step 9



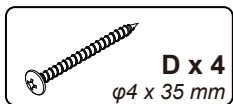
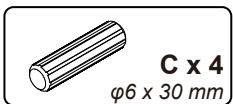
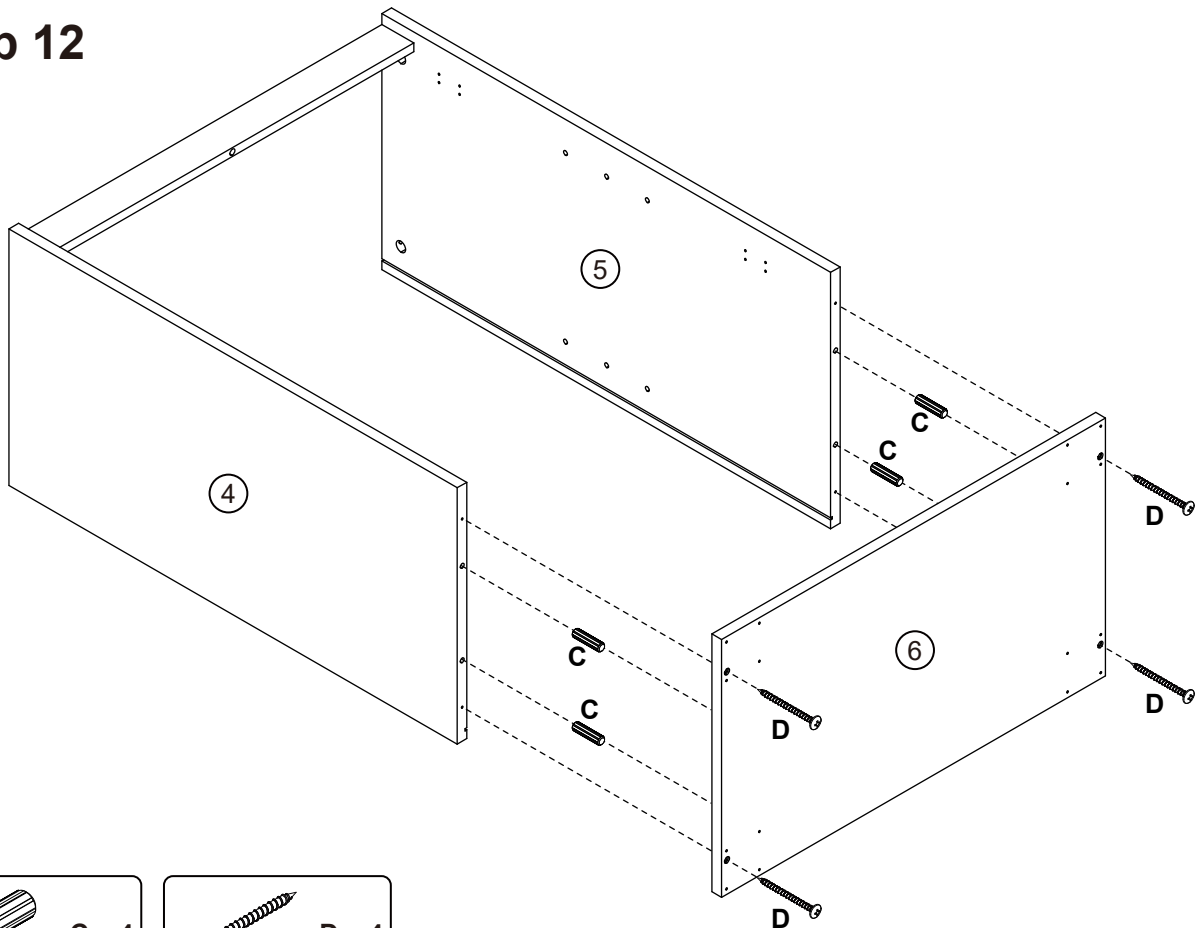
## Step 10



## Step 11

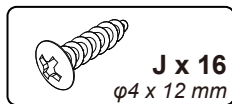
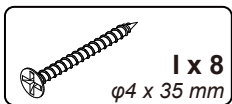
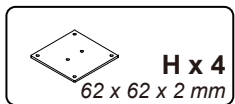
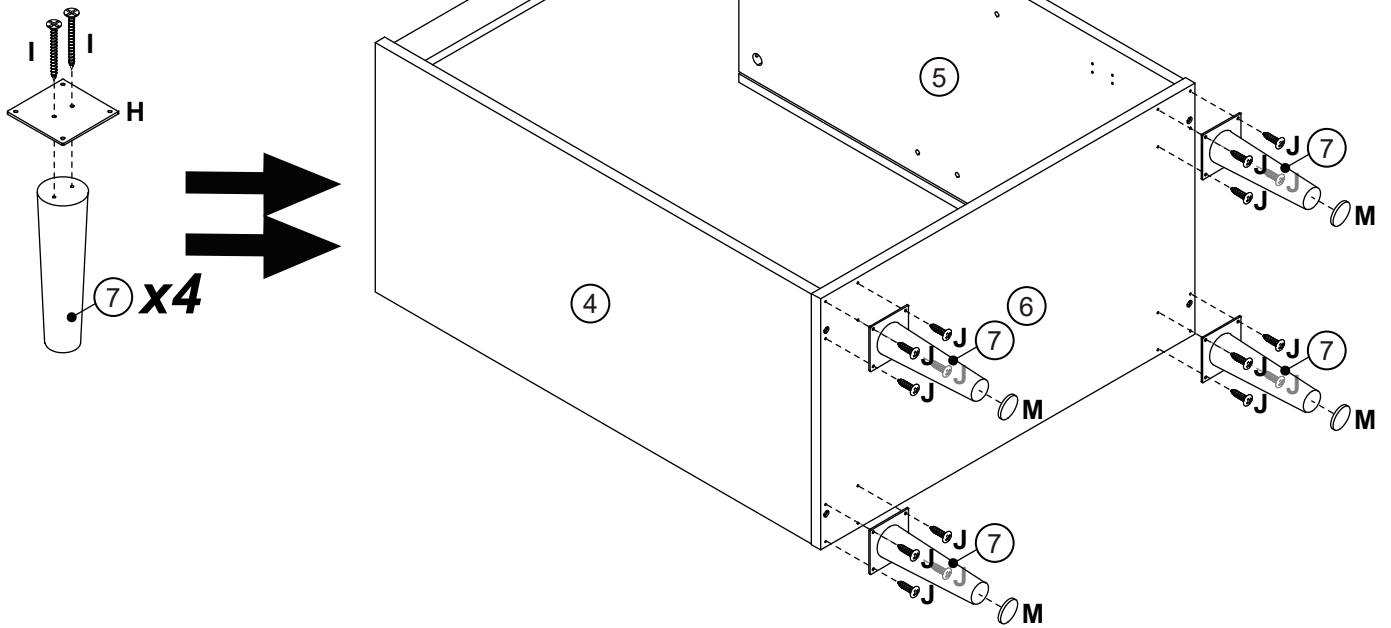


## Step 12

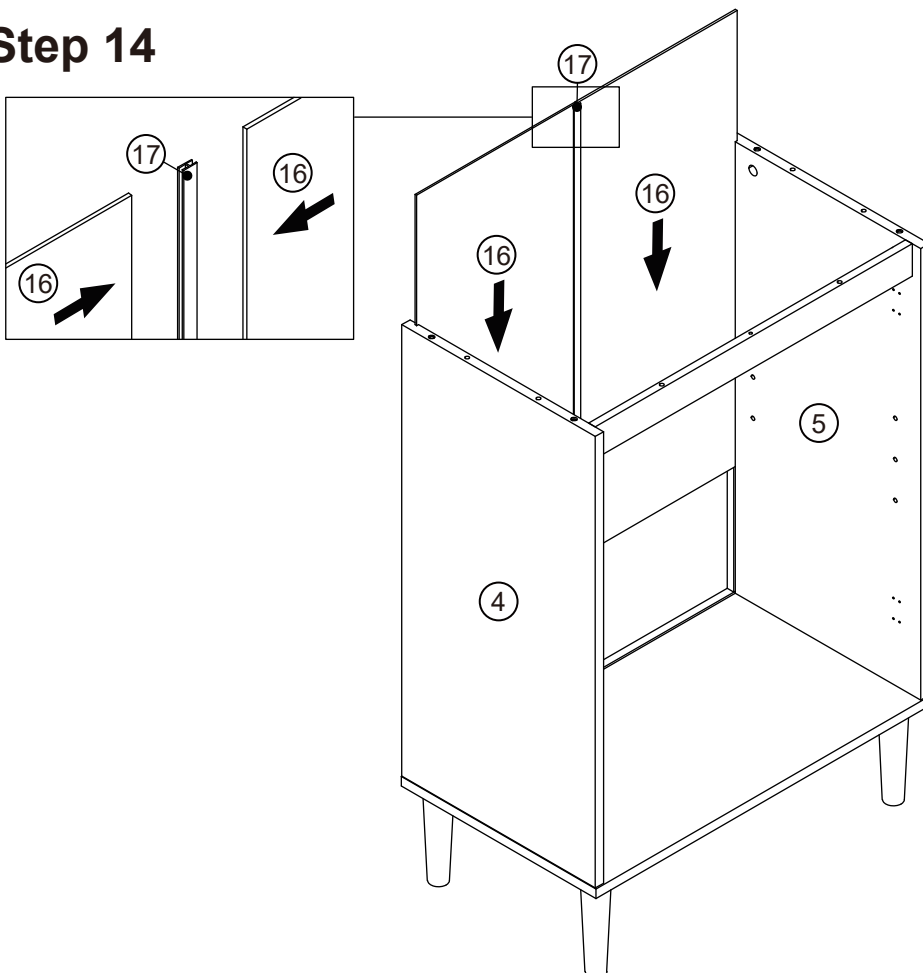




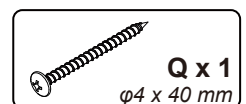
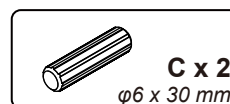
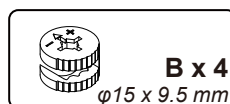
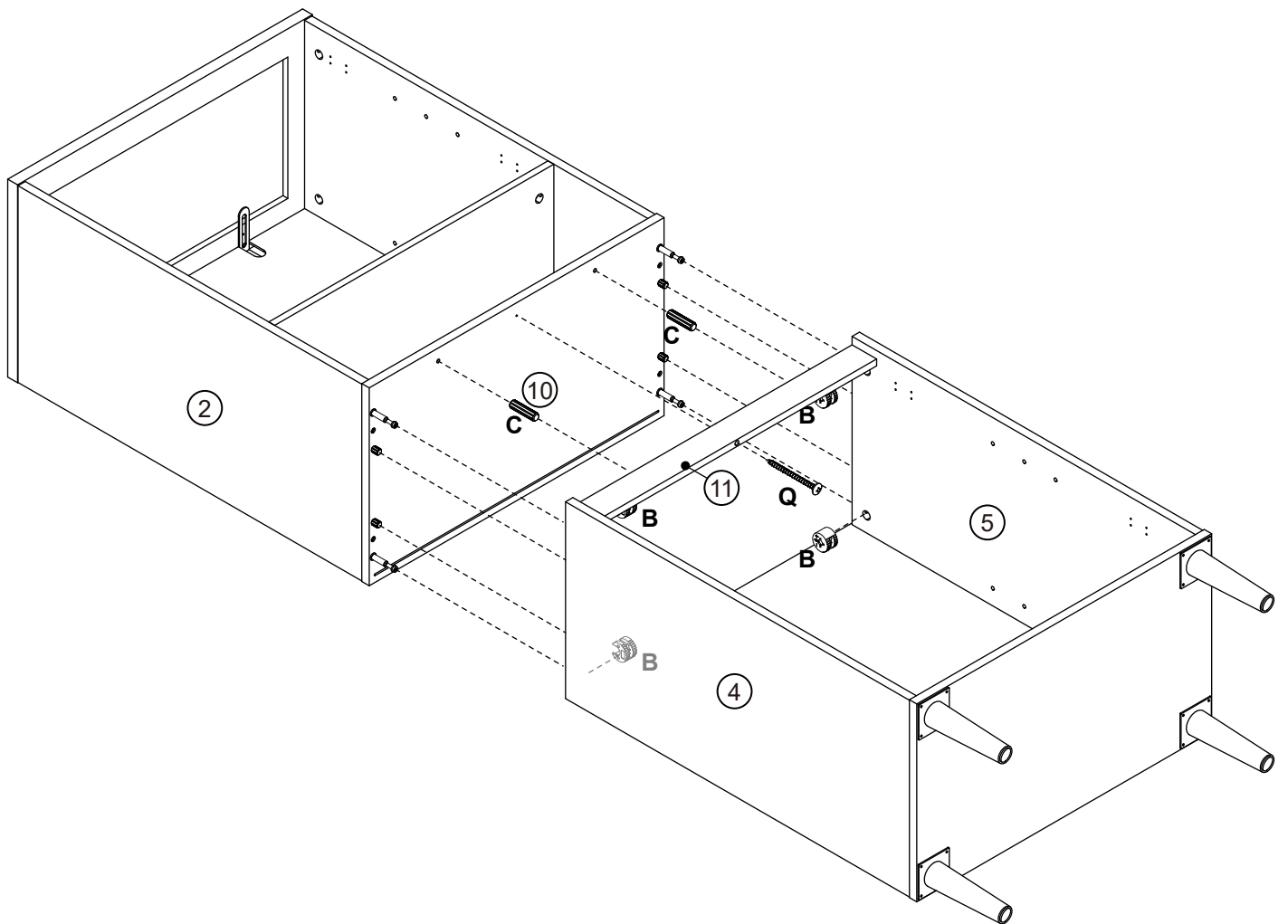
## Step 13



## Step 14

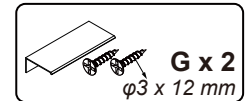
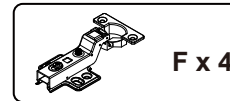
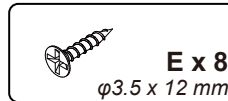
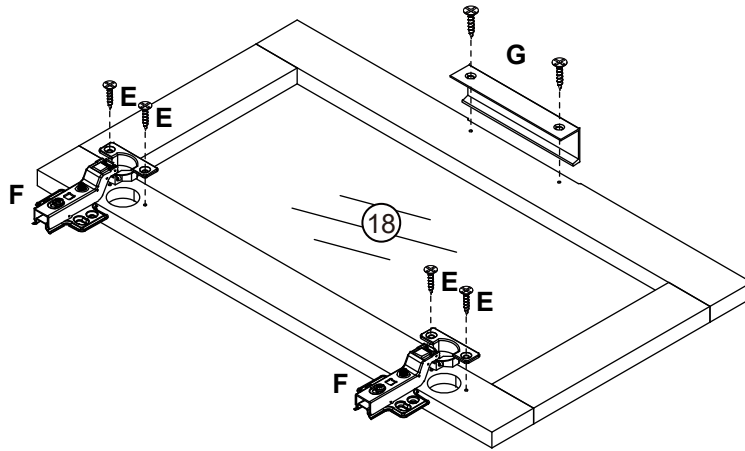


# Step 15

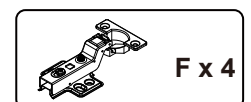
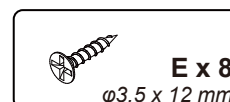
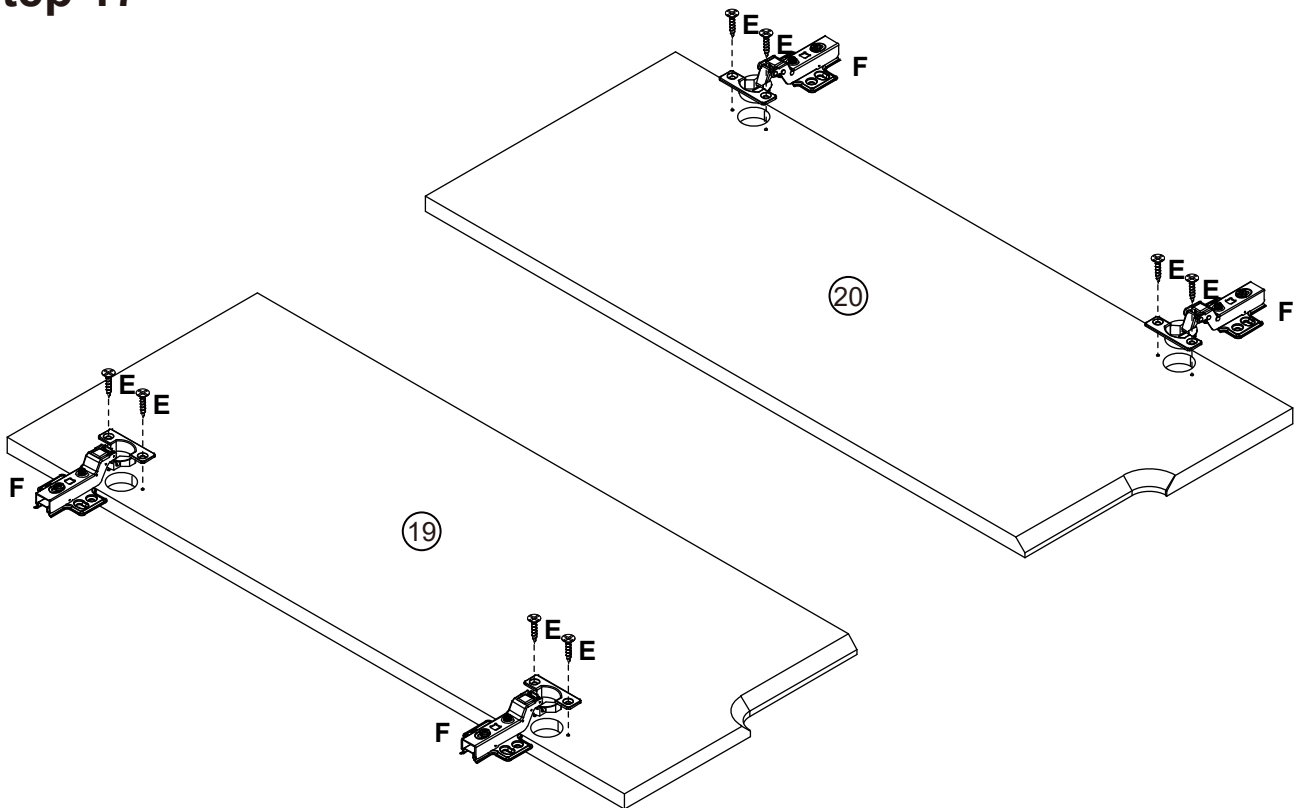


# Step 16

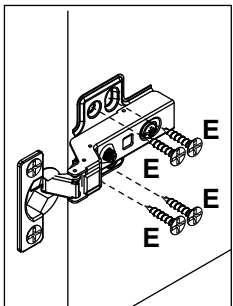
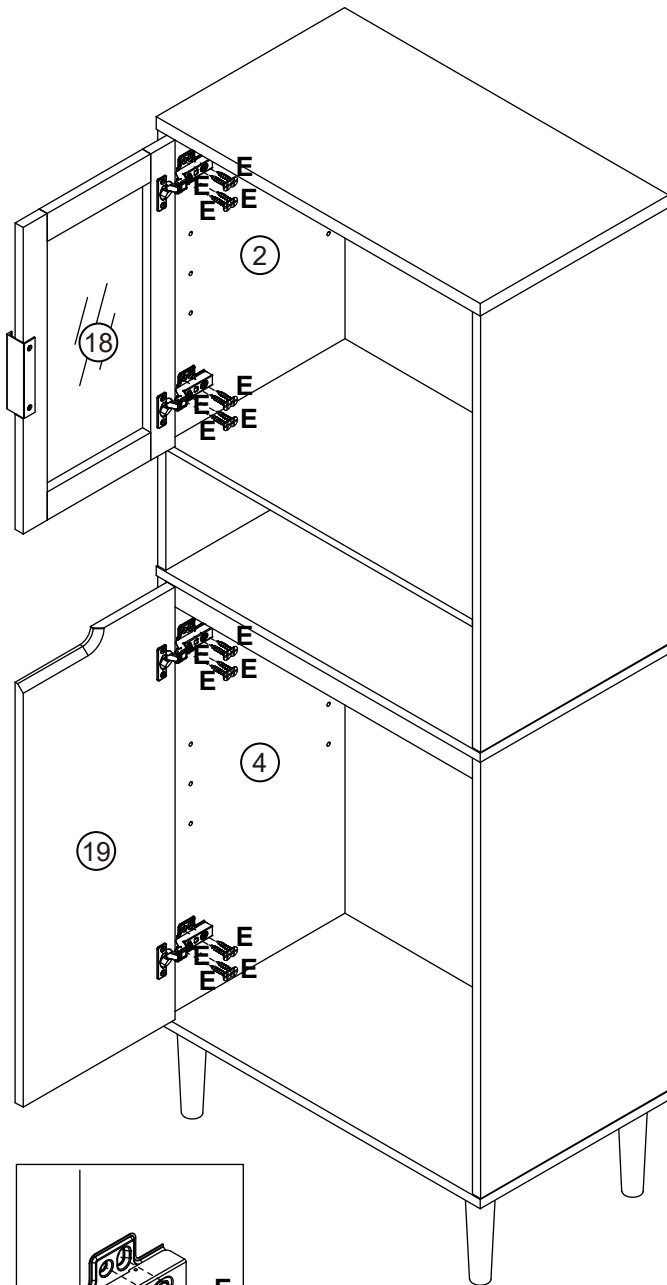
# x2



# Step 17

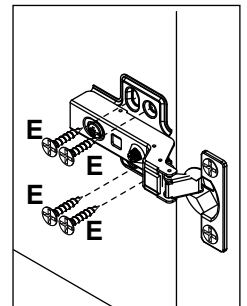
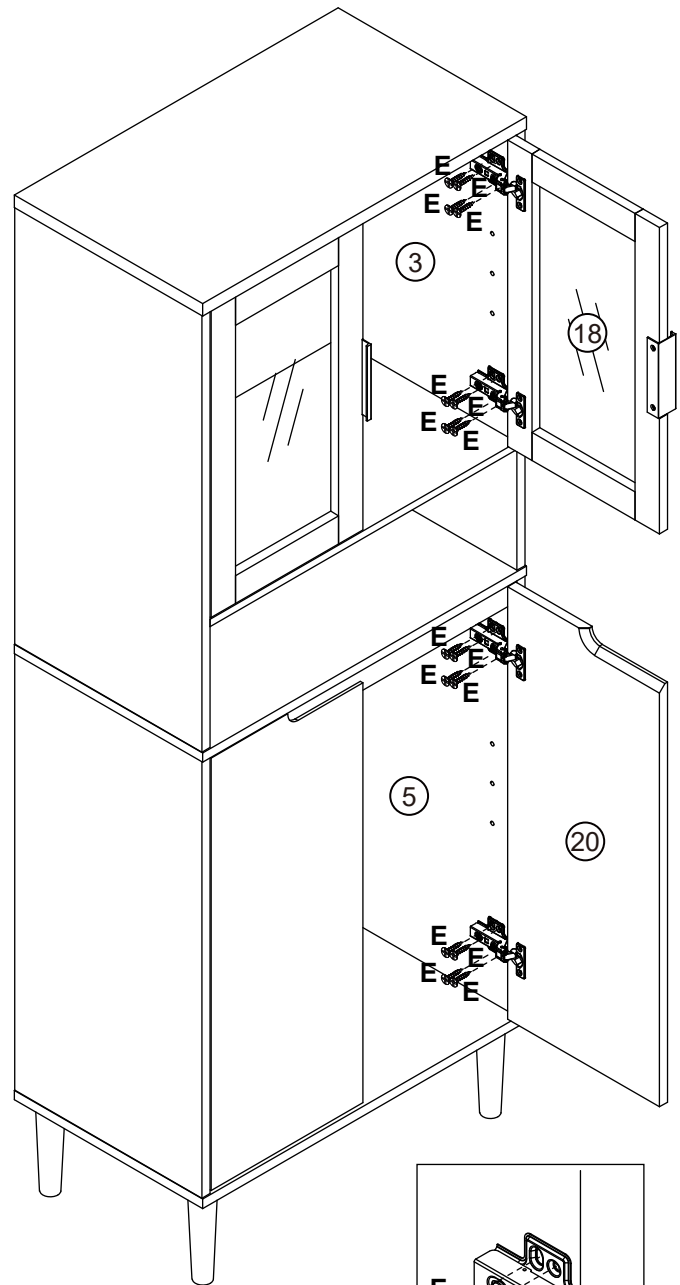


## Step 18



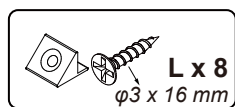
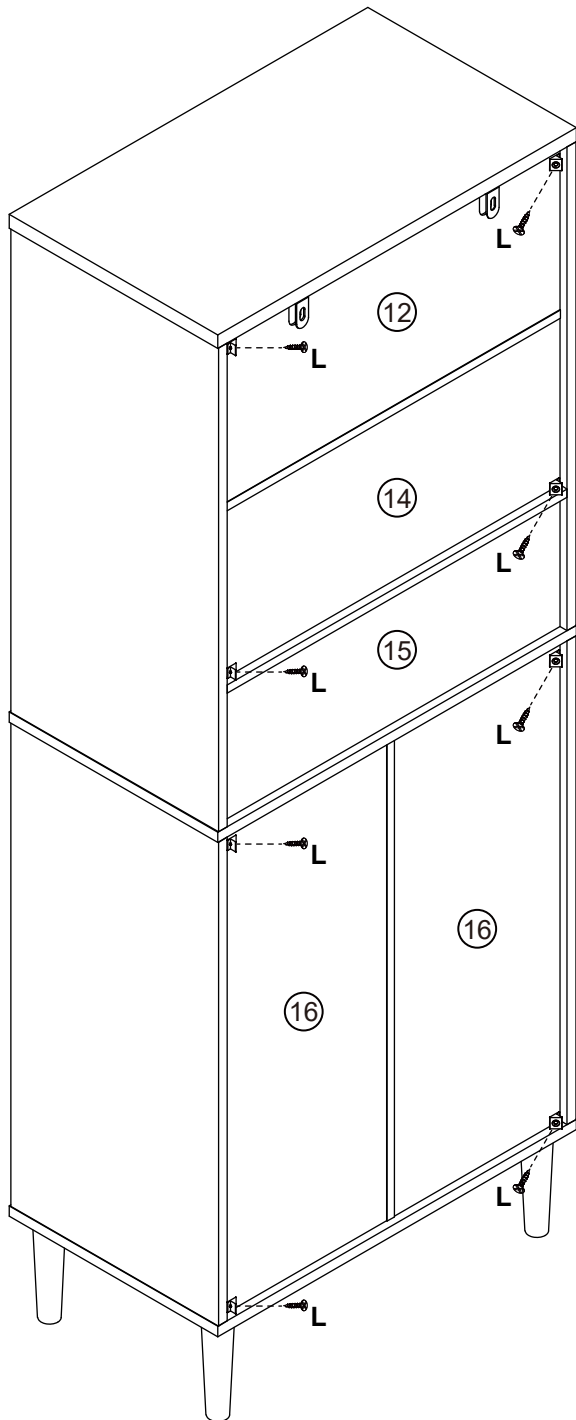
 **E x 16**  
φ3.5 x 12 mm

## Step 19

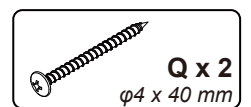
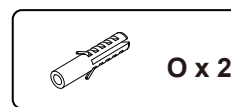
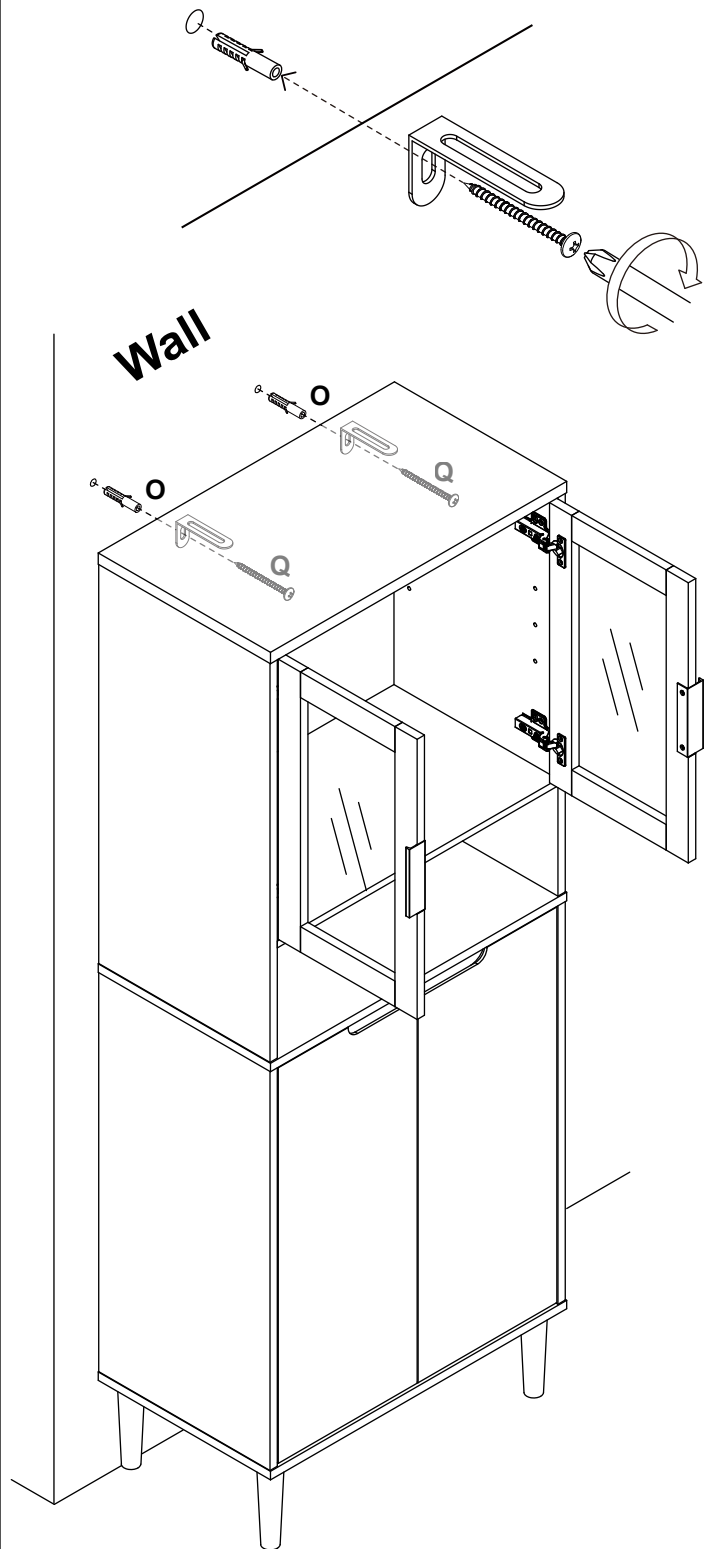


 **E x 16**  
φ3.5 x 12 mm

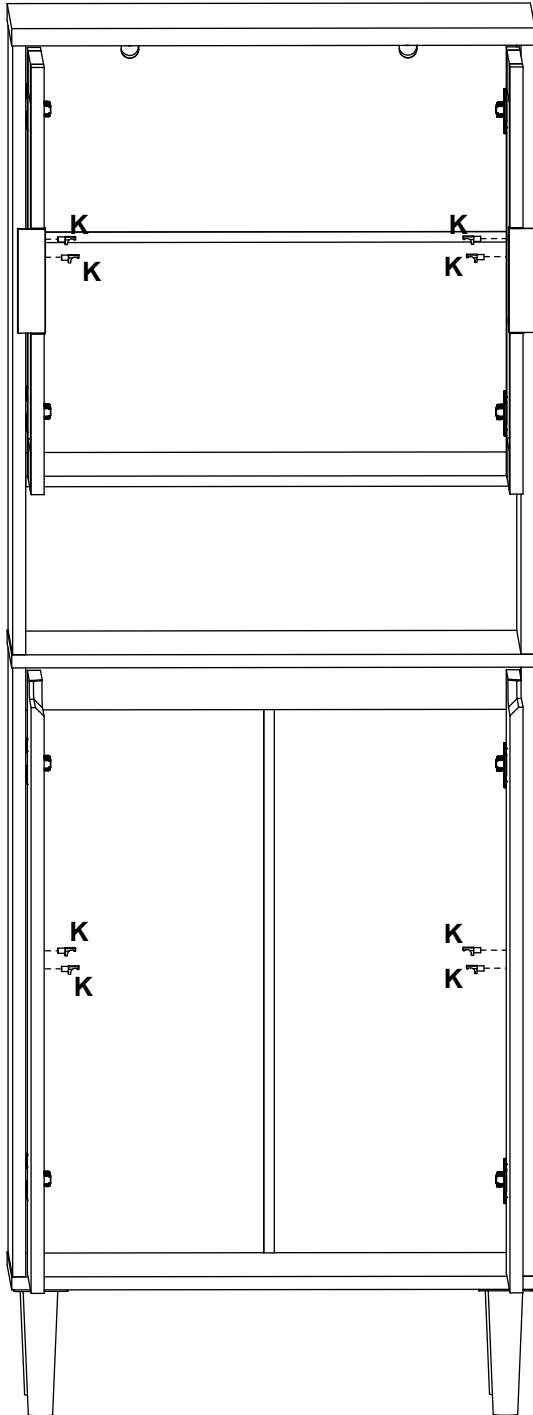
## Step 20



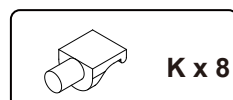
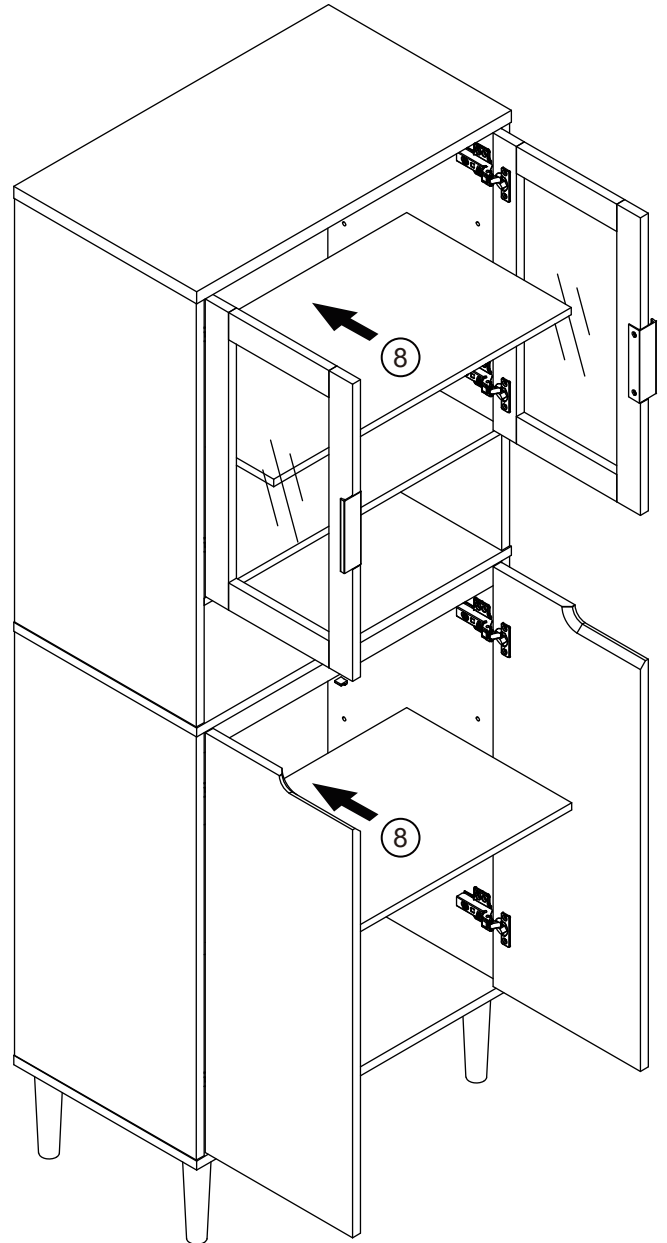
## Step 21



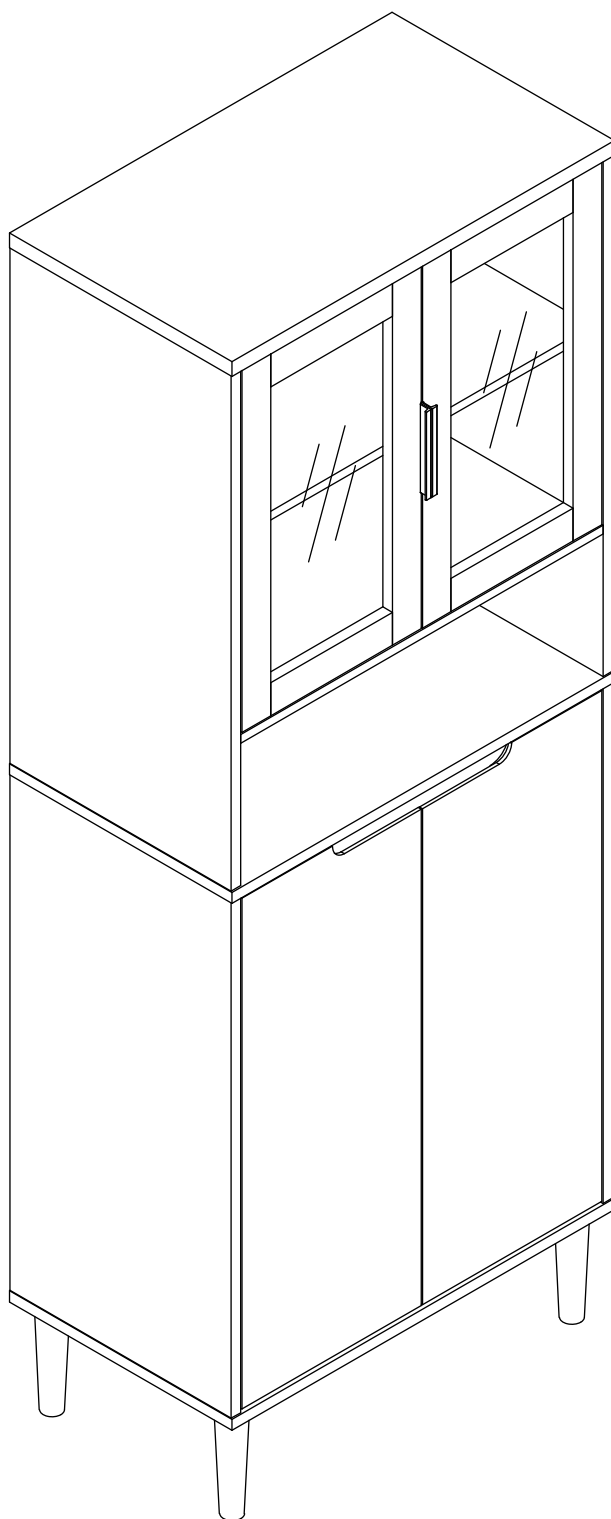
## Step 22



## Step 23



## Step 24

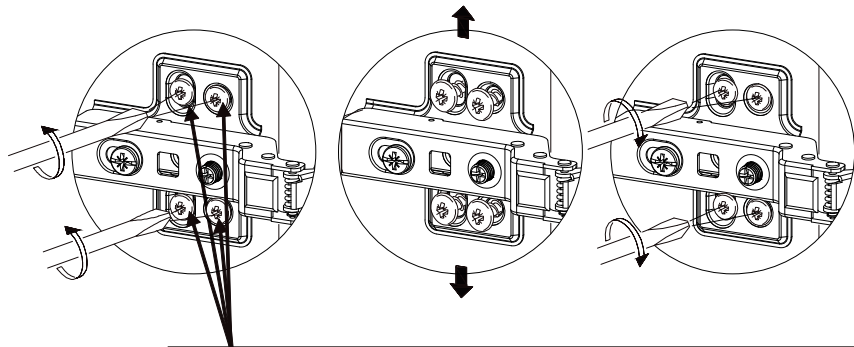
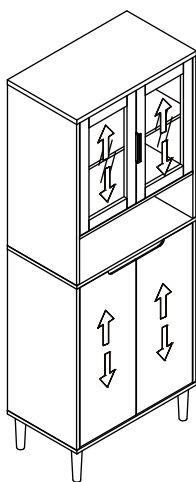


## Step 25



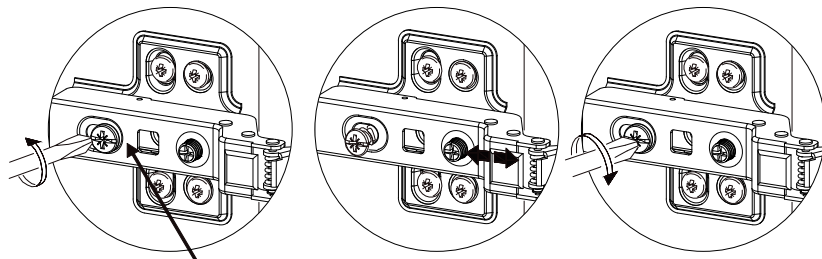
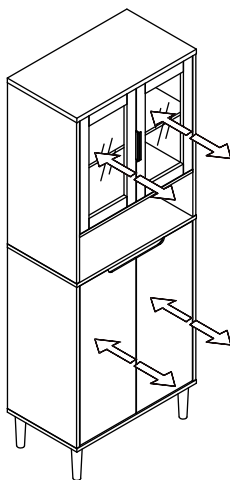
### Customer Attention:

To align doors and control gap in between doors. Product doors may need adjusting during and after assembly. This can be done by adjusting appropriate screws. See below illustration.



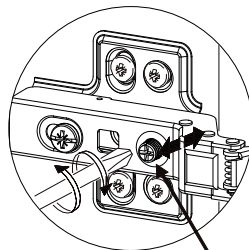
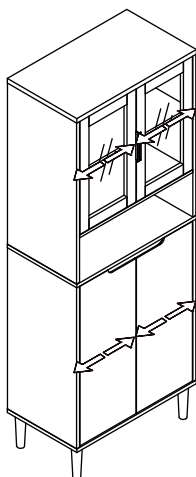
### Vertical Door Adjustment:

Loosen both screws on all hinges and lift the door to the desired height. This allows an even space at the top and bottom between the door and frame.



### Lateral Door Adjustment:

If door is hinge bound, (rubbing on frame as you close or open door) loosening screw shown and move the door in appropriate direction. (In or out)



### Horizontal Door Adjustment:

Rotate Screw clockwise or anticlockwise. This will produce an even gap between doors and frame.