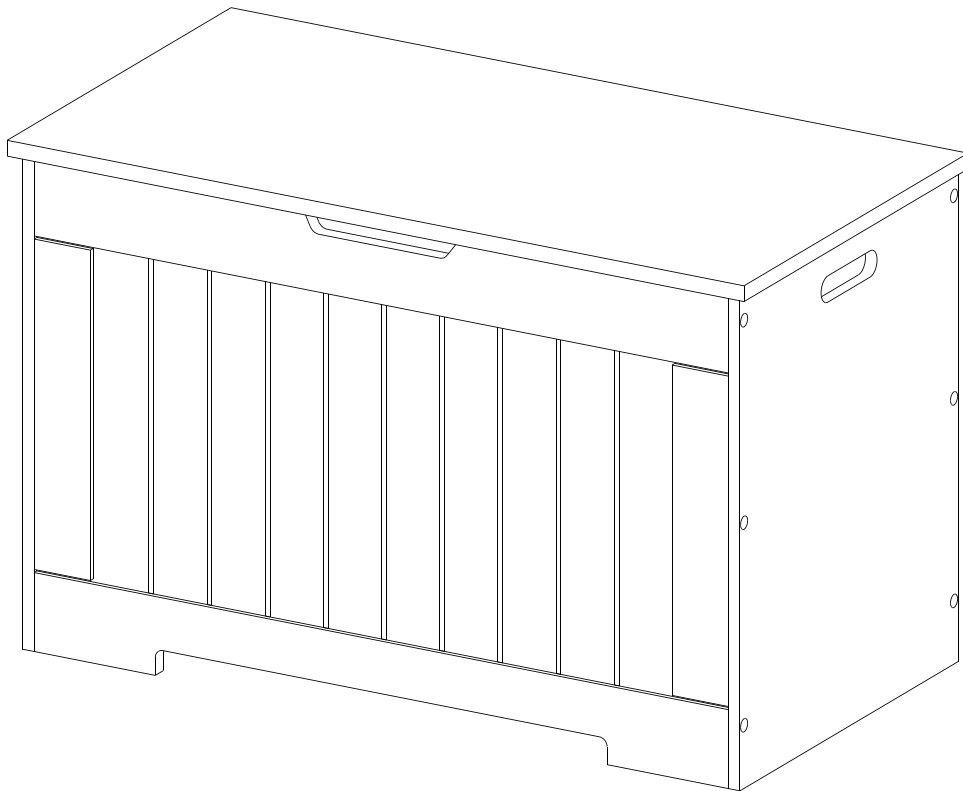
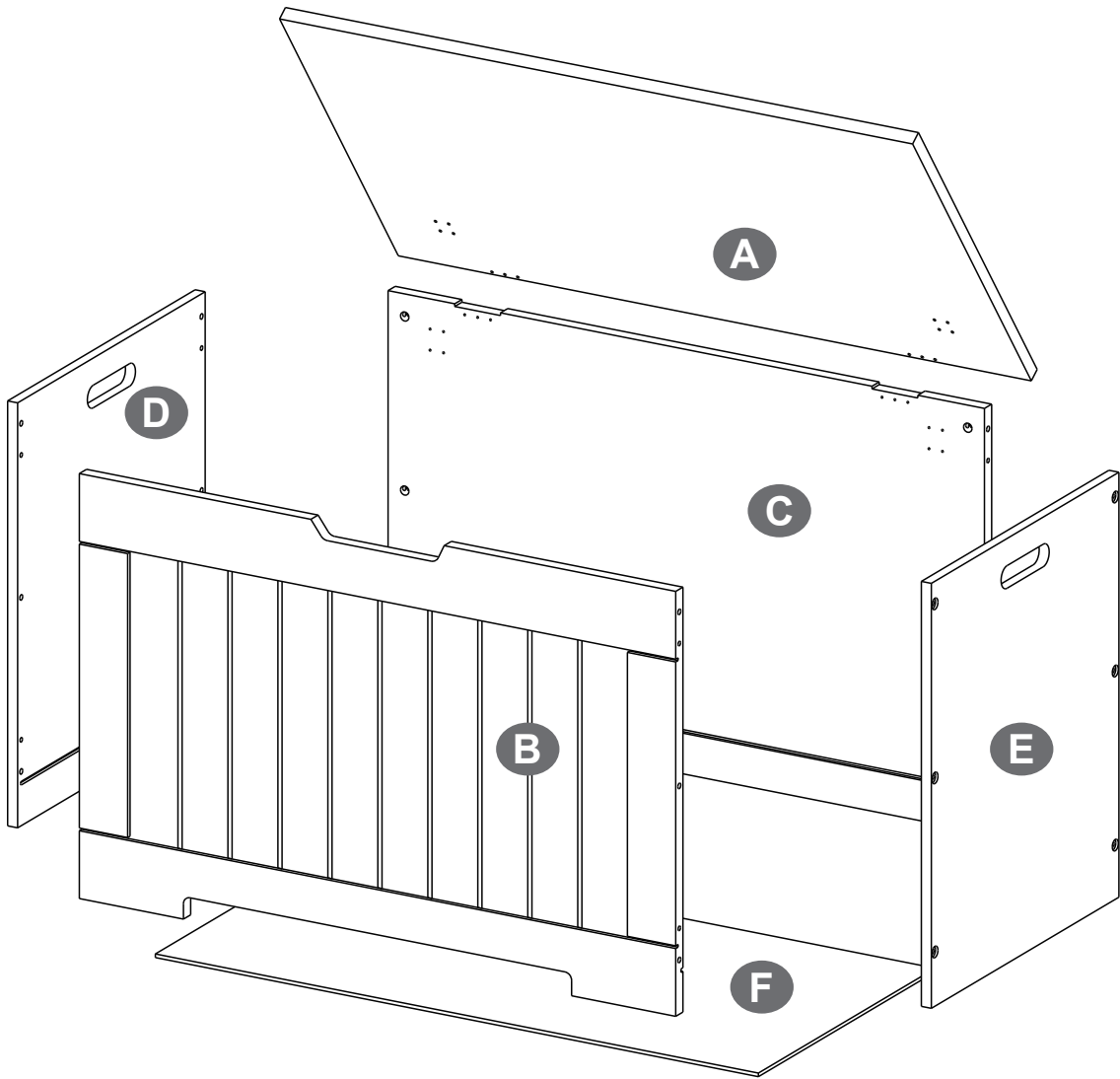


ASSEMBLY INSTRUCTIONS

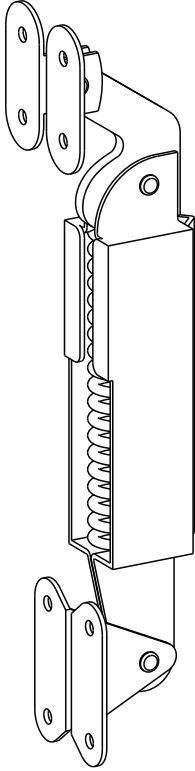
<<Before assembling, read all the instruction>>



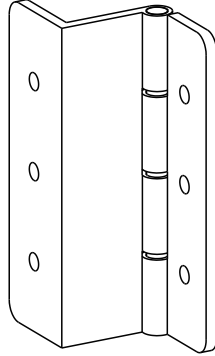


G

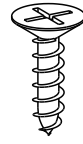
× 2

**H**

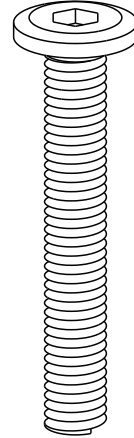
× 2

**I**

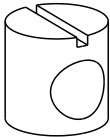
28+1

**J**

× 12

**K**

× 12

**L**

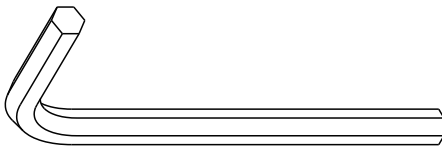
× 8

**M**

× 2

**N**

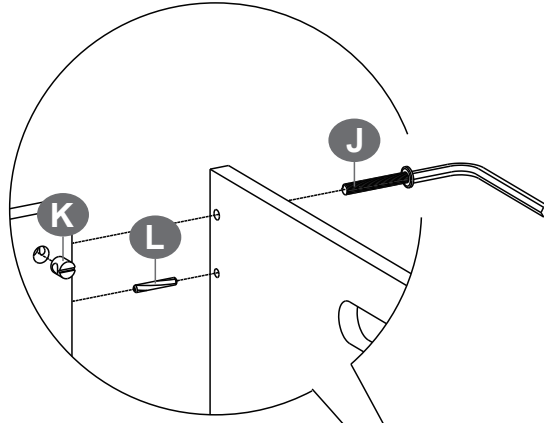
× 1




**O**

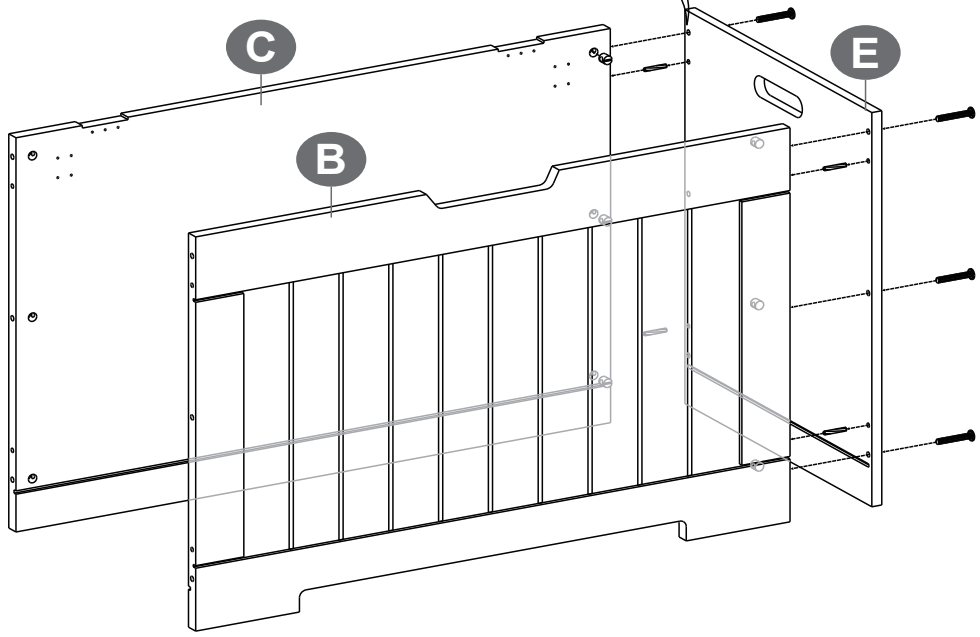
× 12



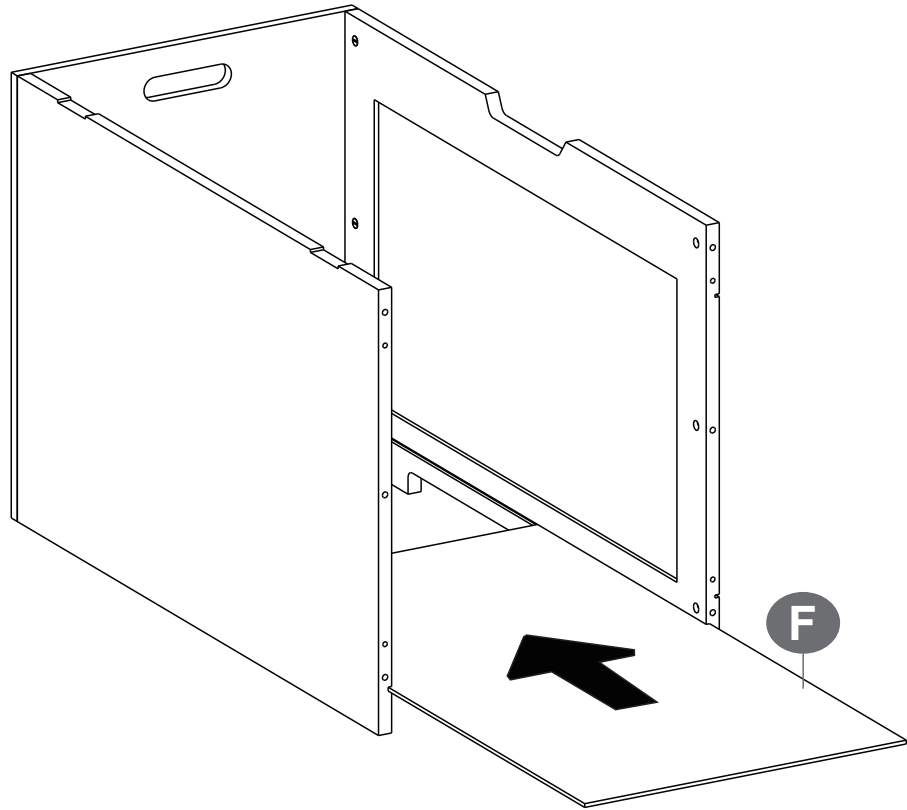
1



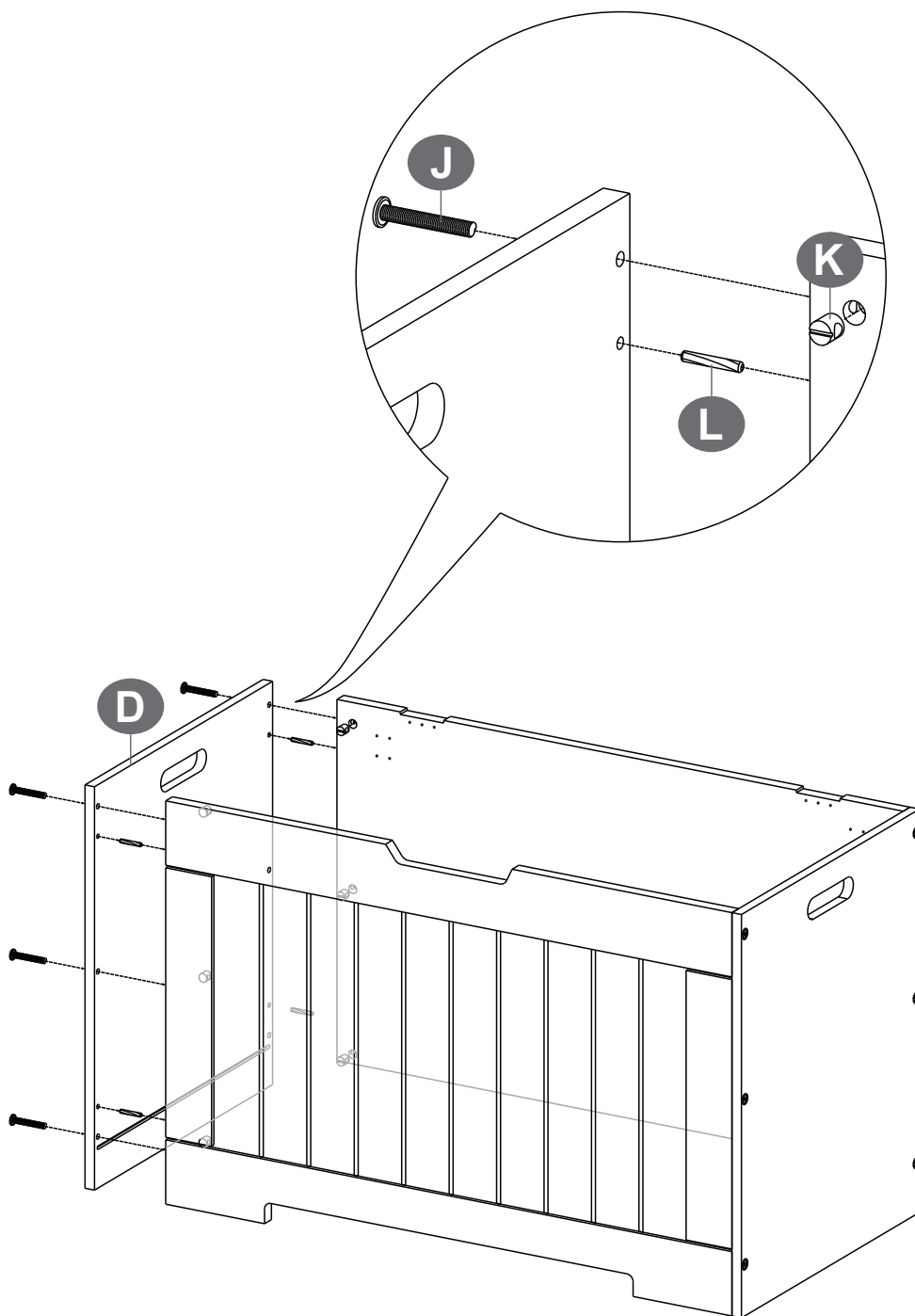
J		6PCS
K		6PCS
L		4PCS



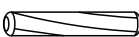


2

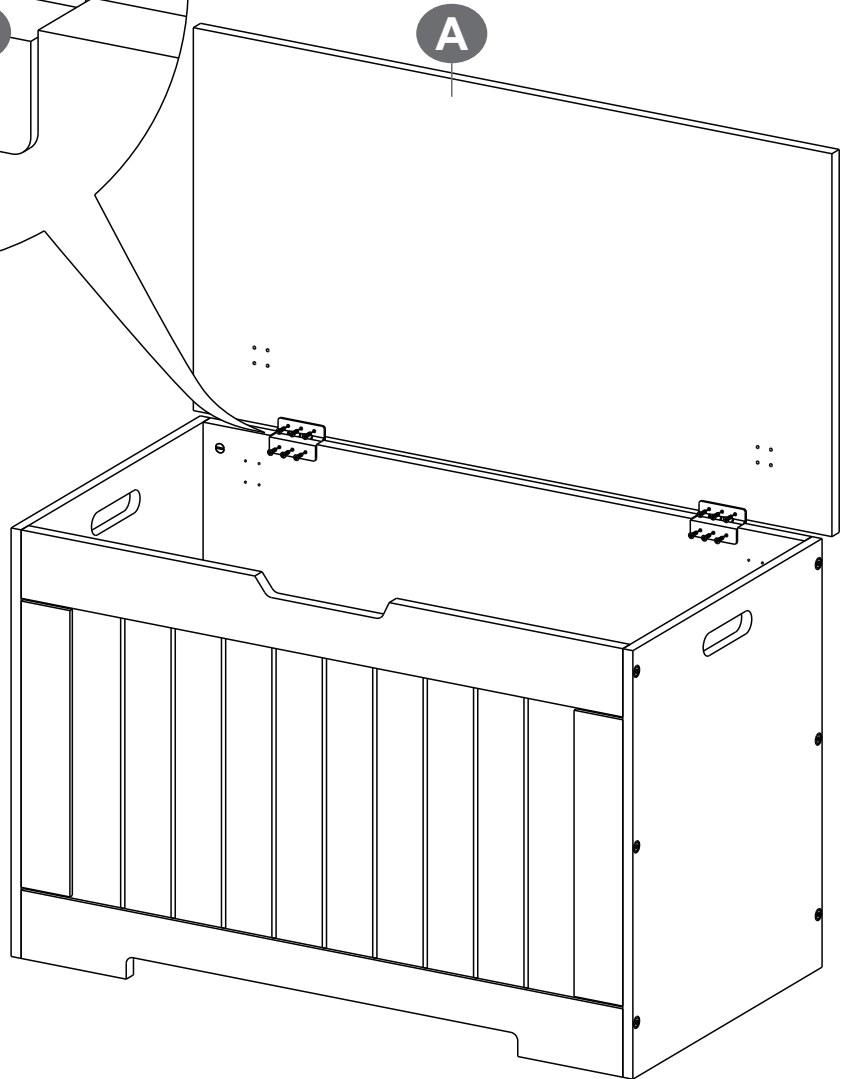
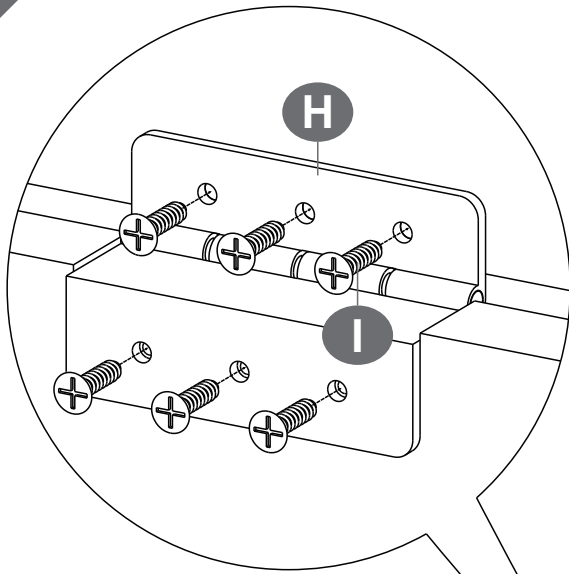


3

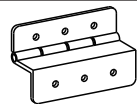


J  6PCS	K  6PCS	L  4PCS
---	---	---

4



H



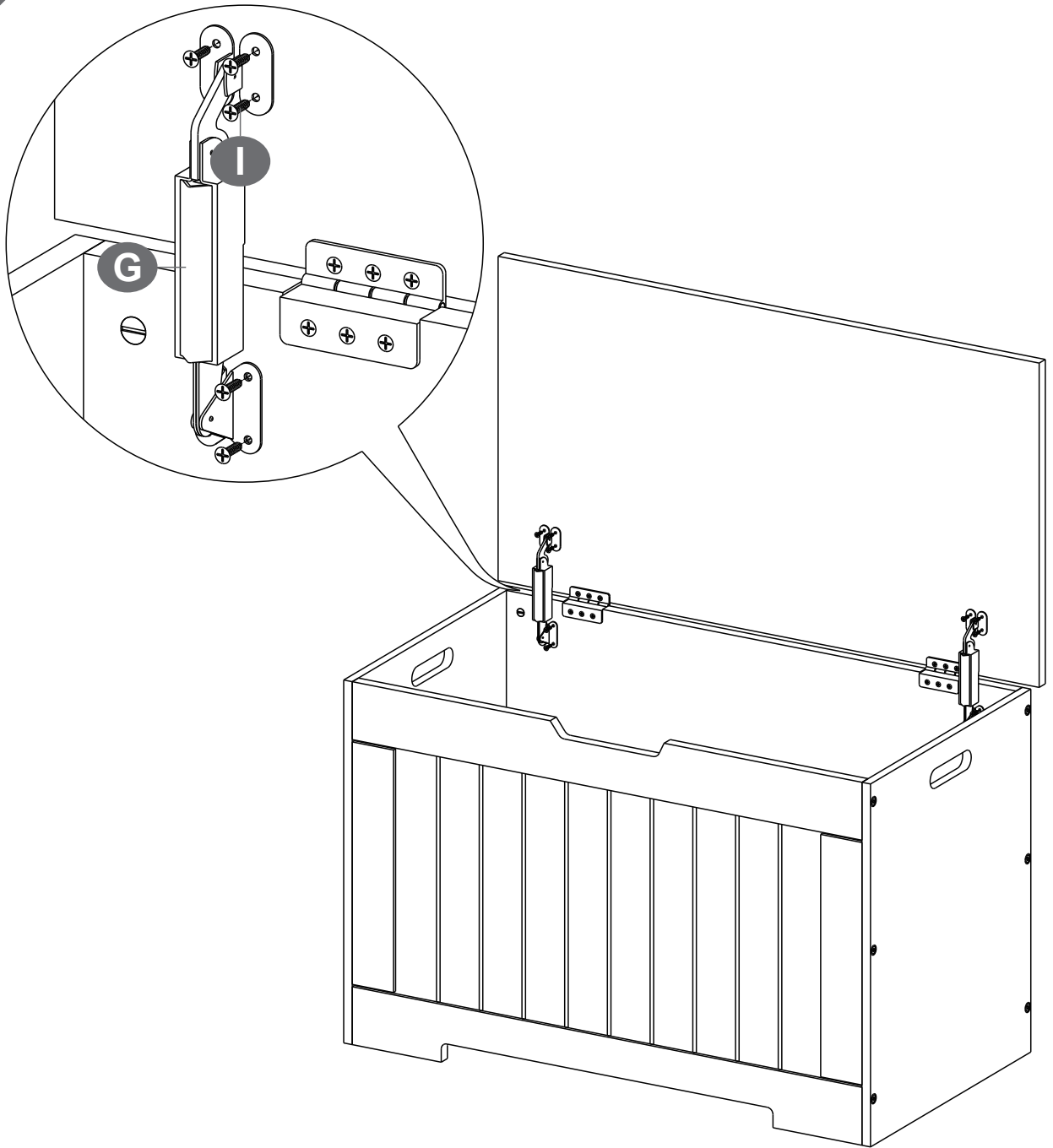
2PCS



I



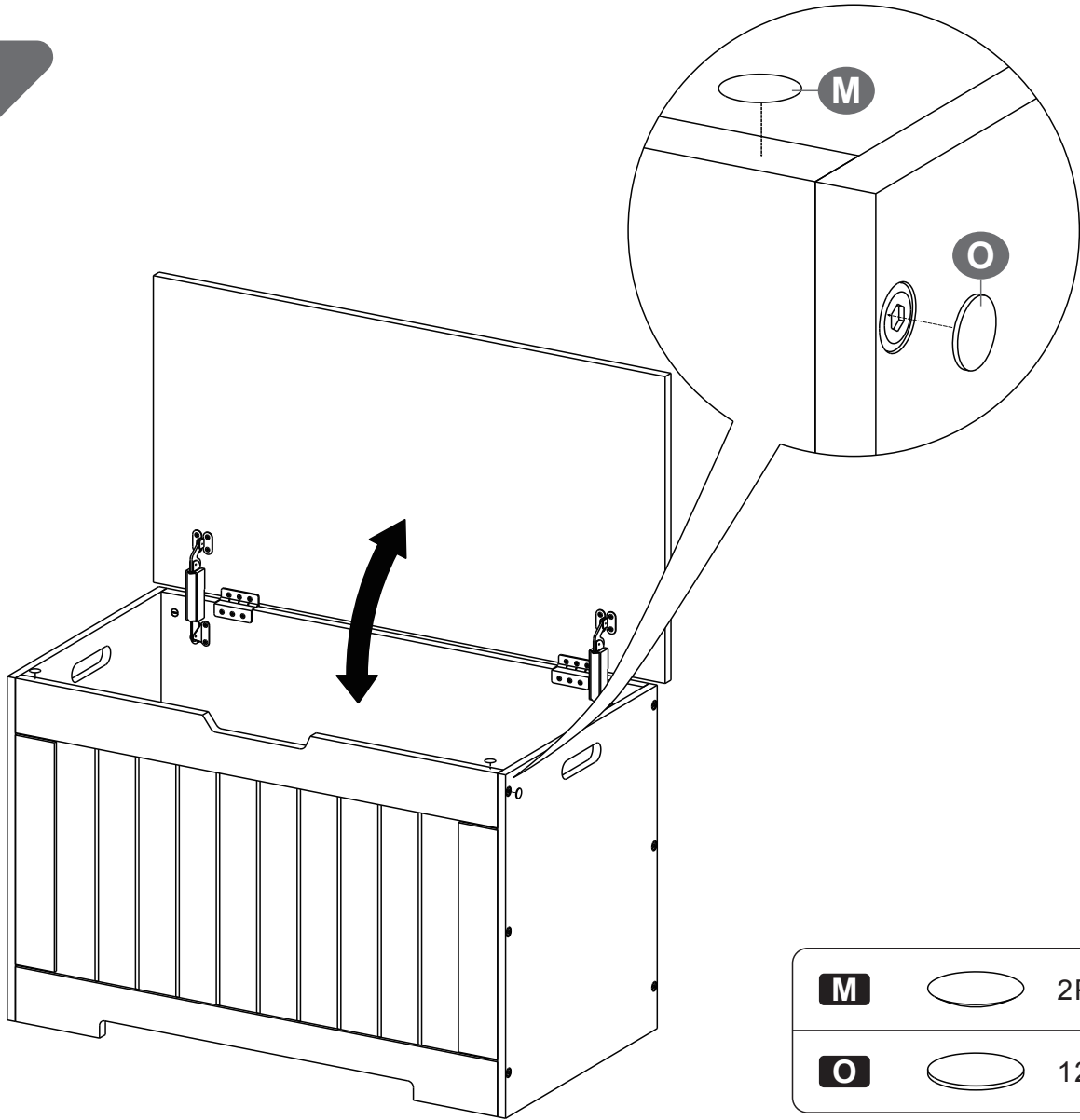
12PCS

5



G		2PCS
I		16PCS

6



7

