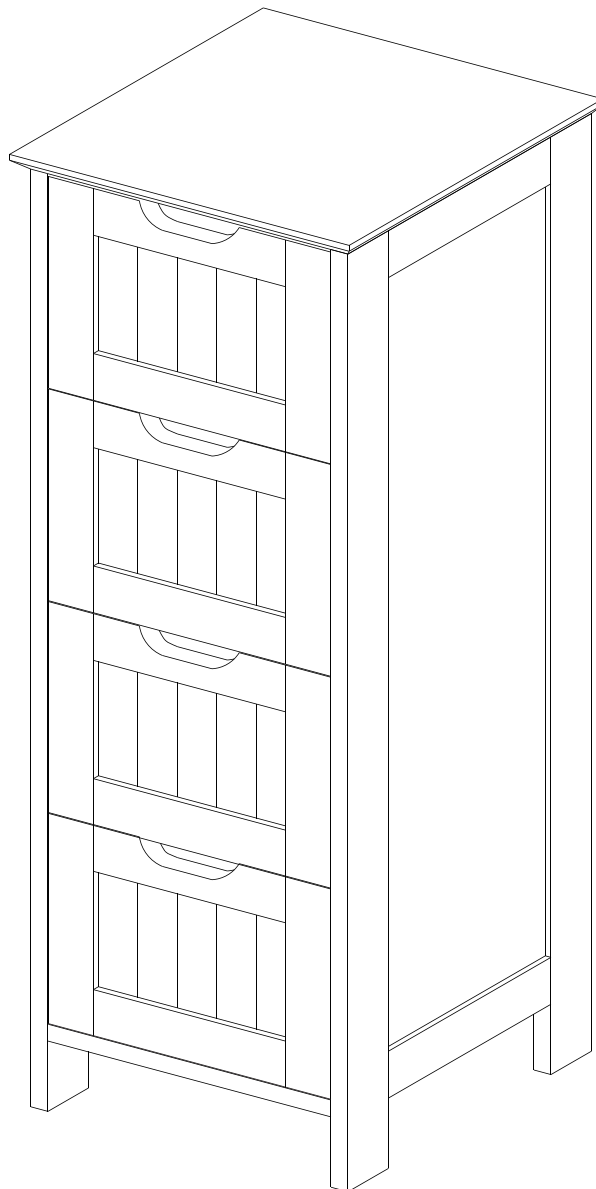


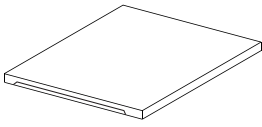
# ASSEMBLY INSTRUCTIONS

<<Before assembling, read all the instruction>>

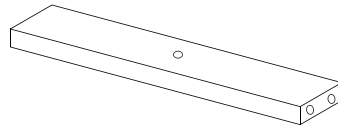


**A**

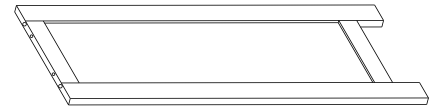
× 1

**B**

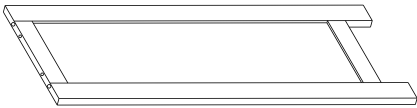
× 3

**C**

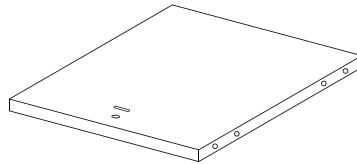
× 1

**D**

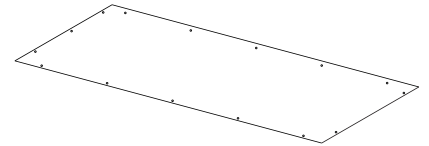
× 1

**E**

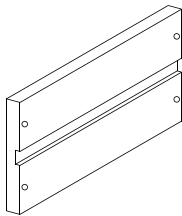
× 1

**F**

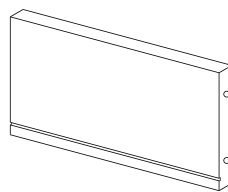
× 1

**G**

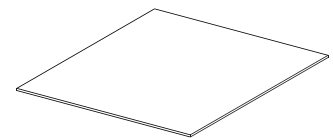
× 8

**H**

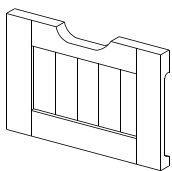
× 4

**I**

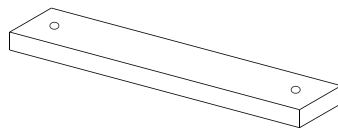
× 4

**J**

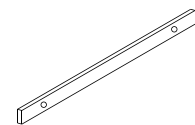
× 4

**K**

× 1

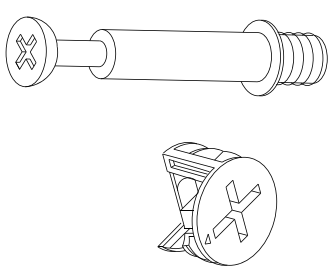
**L**

× 8



1

14+1



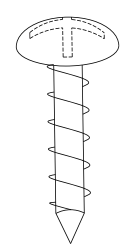
2

14+1



3

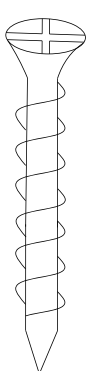
14+1



M2.5 × 10mm

4

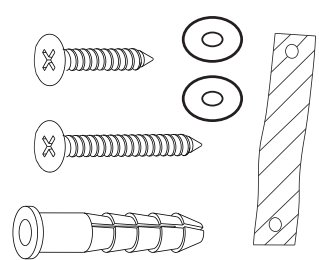
32+2



M3 × 25mm

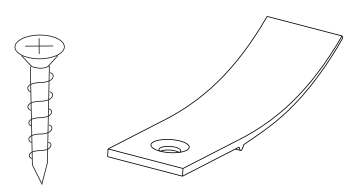
5

× 1



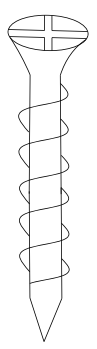
6

× 4



7

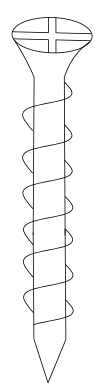
16+1



M3.5 × 16mm

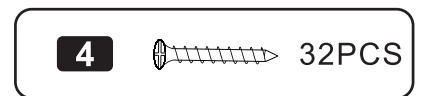
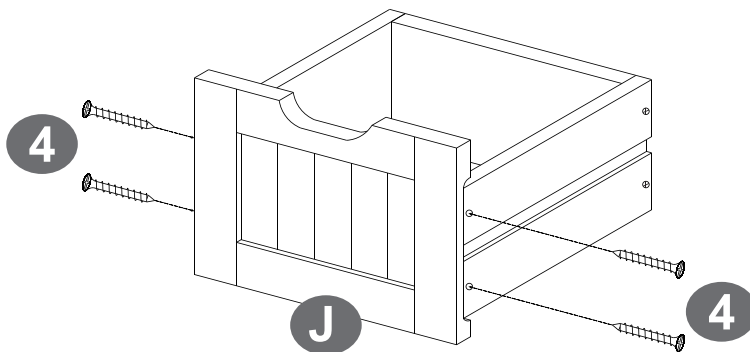
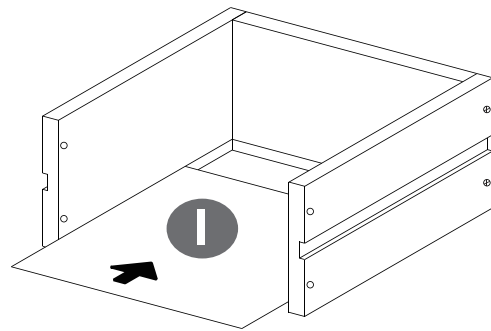
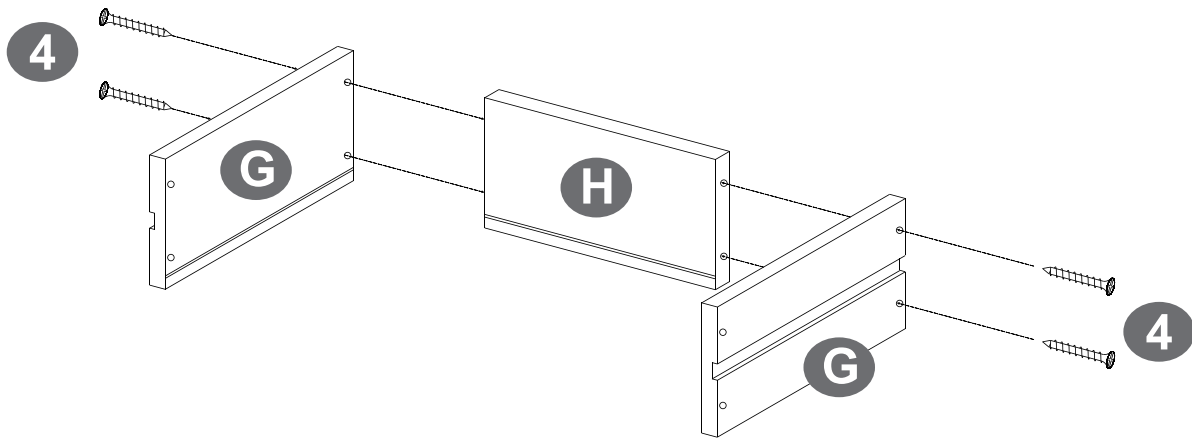
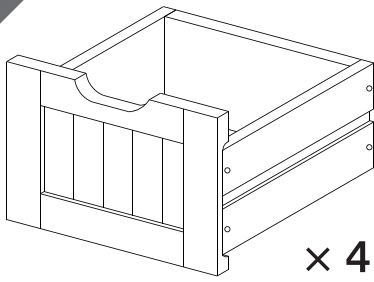
8

× 2

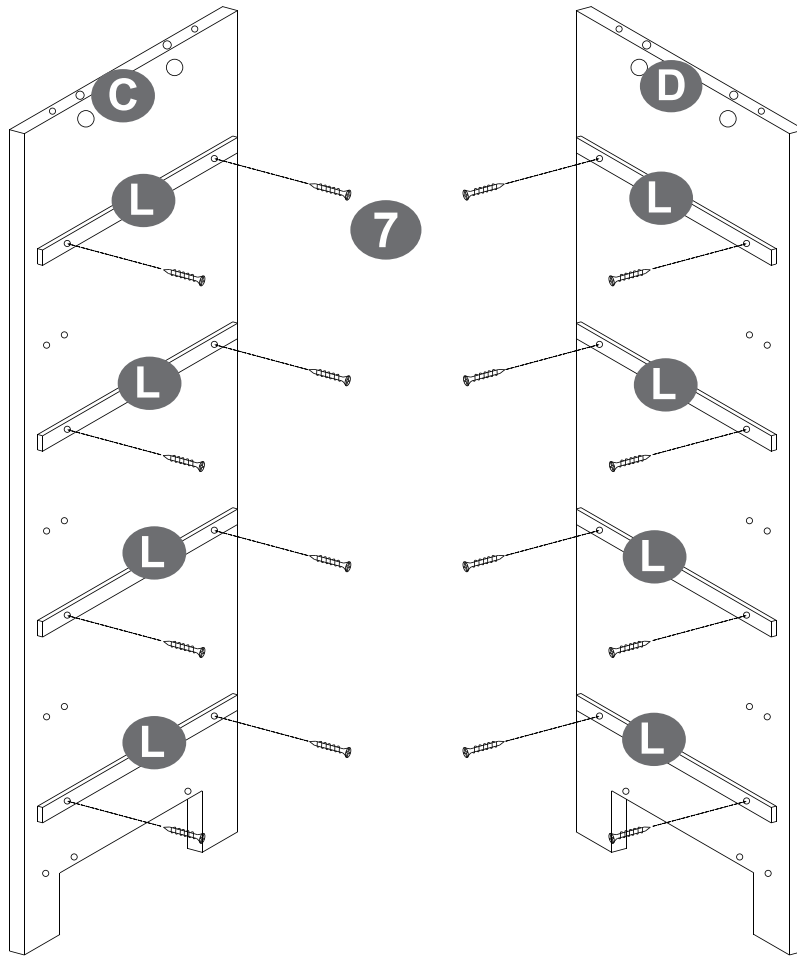


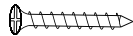
M4 × 20mm

1

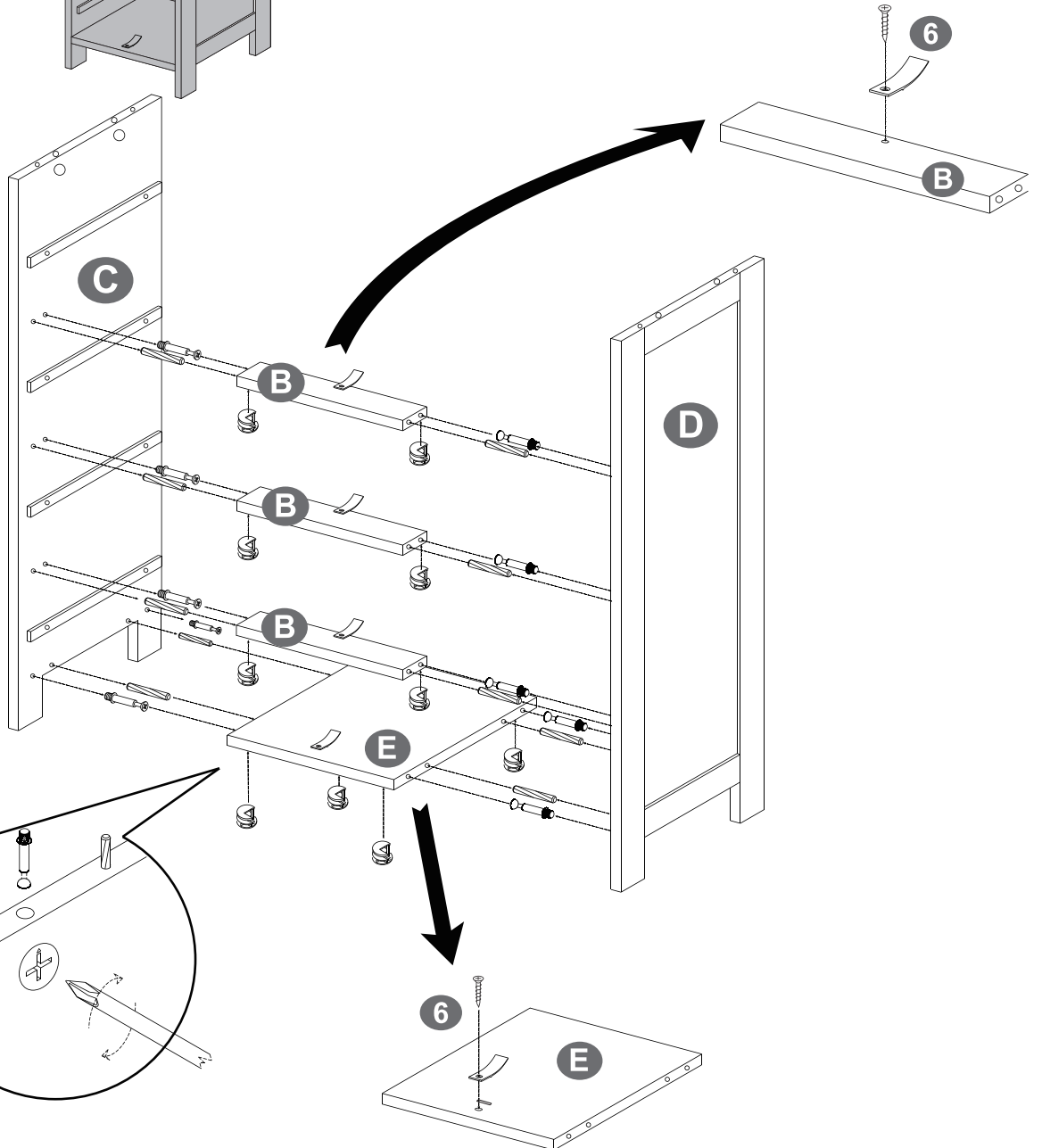
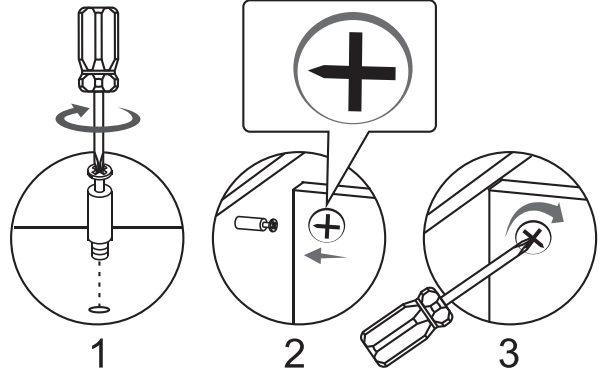
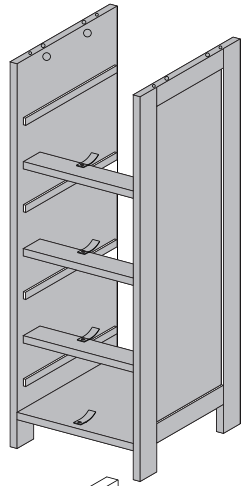


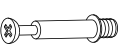




2



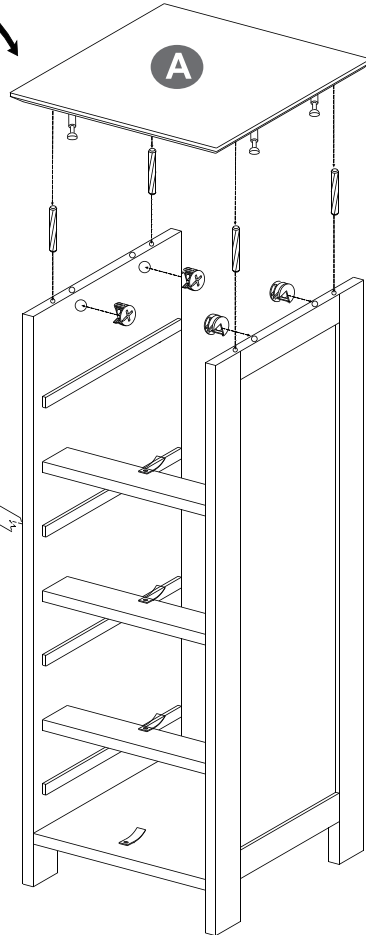
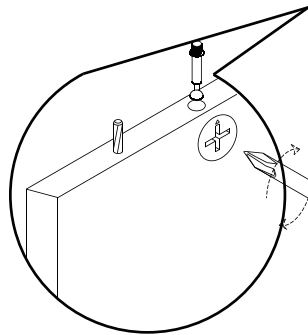
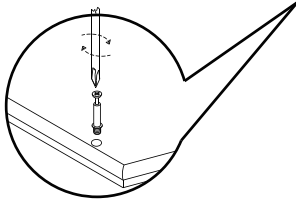
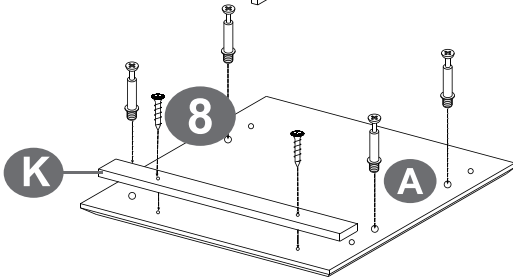
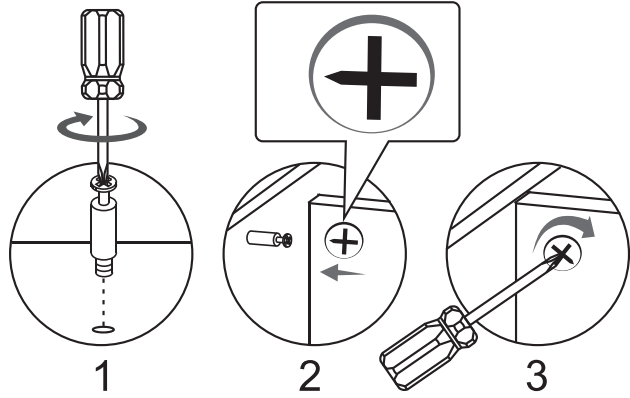
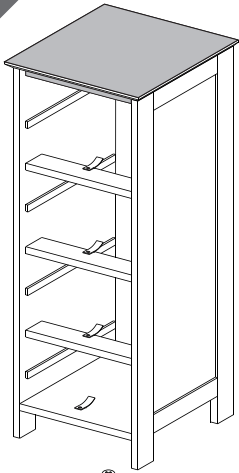
**7**  16PCS

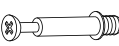

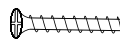
3



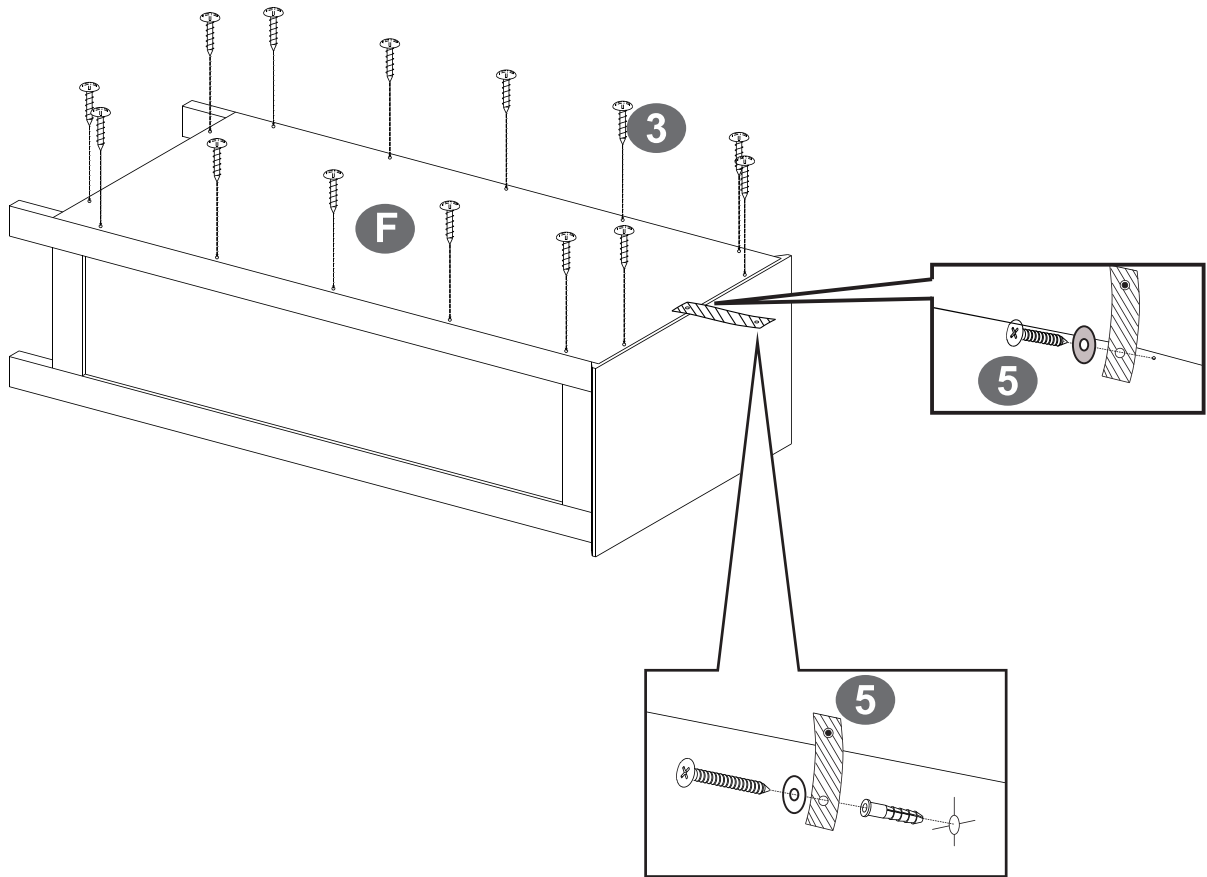
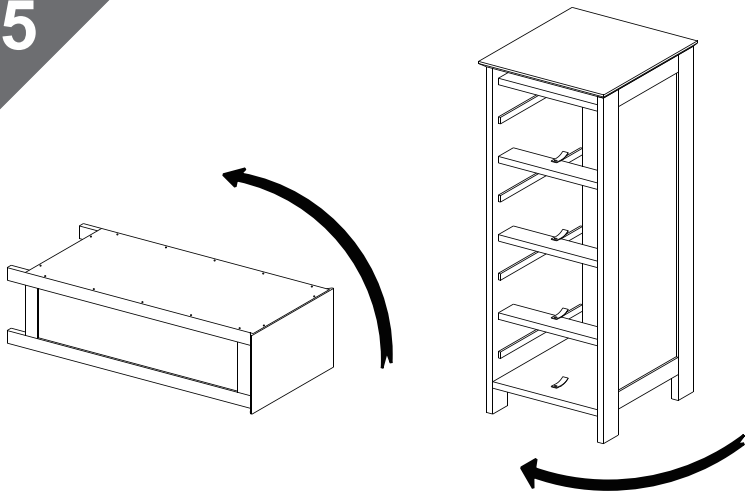
<b>1</b>   10PCS	<b>2</b>  10PCS	<b>6</b>   4PCS
--	--	---

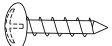
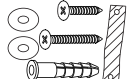
4



<b>1</b>  4PCS	<b>2</b>  4PCS	<b>8</b>  2PCS
---	---	---

5



<b>3</b>		14PCS
<b>5</b>		1PCS



6

