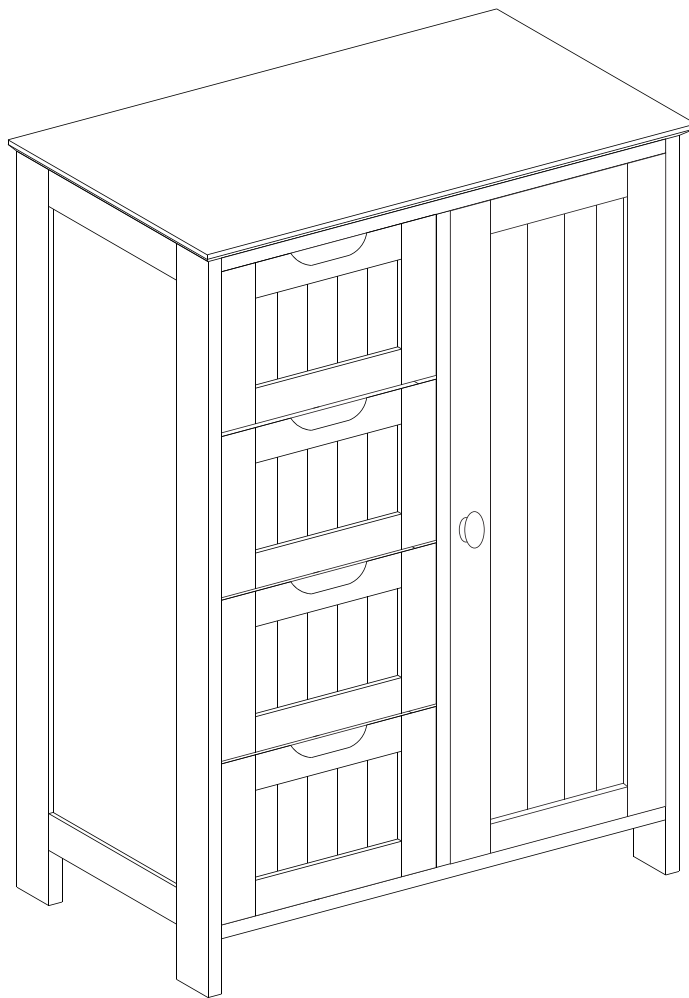


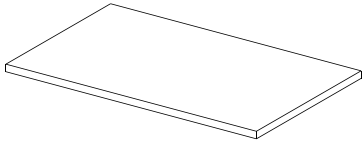
ASSEMBLY INSTRUCTIONS

<<Before assembling, read all the instruction>>

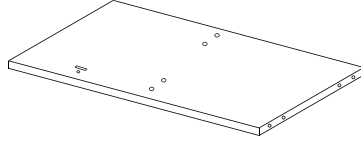


A

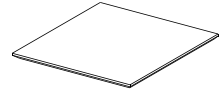
× 1

**B**

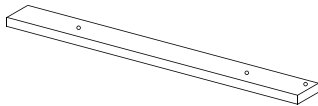
× 1

**C**

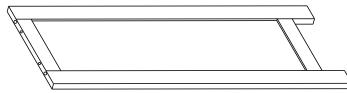
× 1

**D**

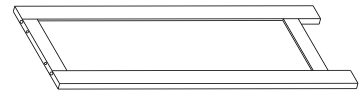
× 1

**E**

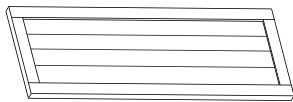
× 1

**F**

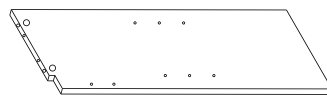
× 1

**G**

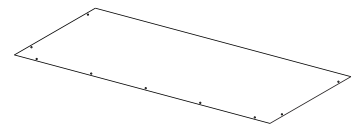
× 1

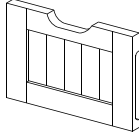
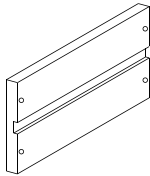
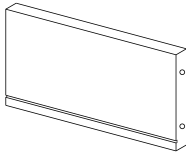
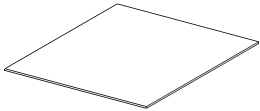
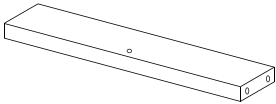
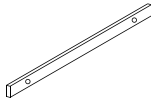
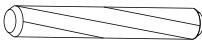
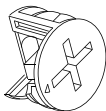

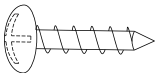
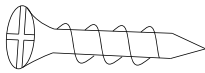
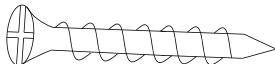
**H**

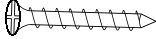
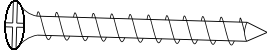
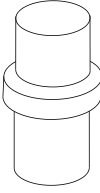
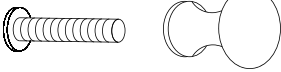
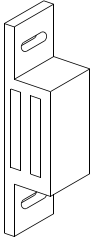
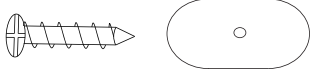
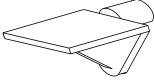
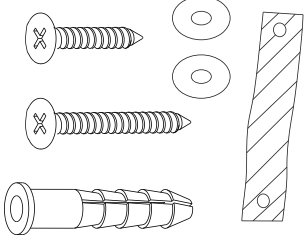
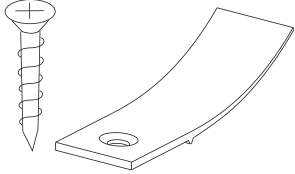
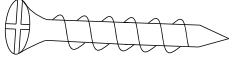
× 1

**I**

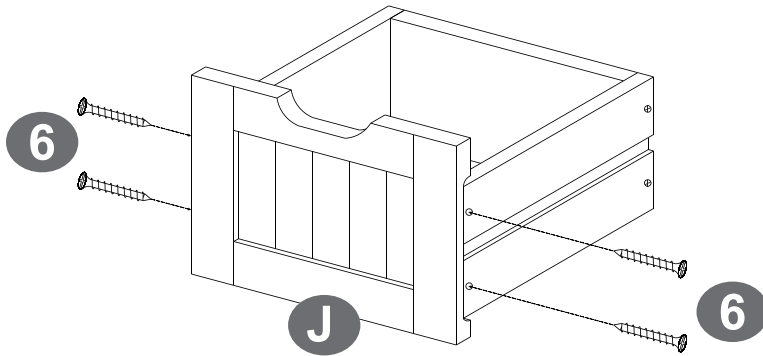
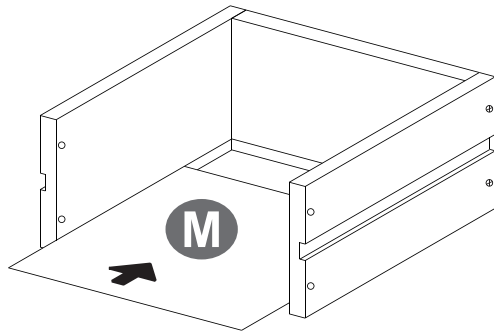
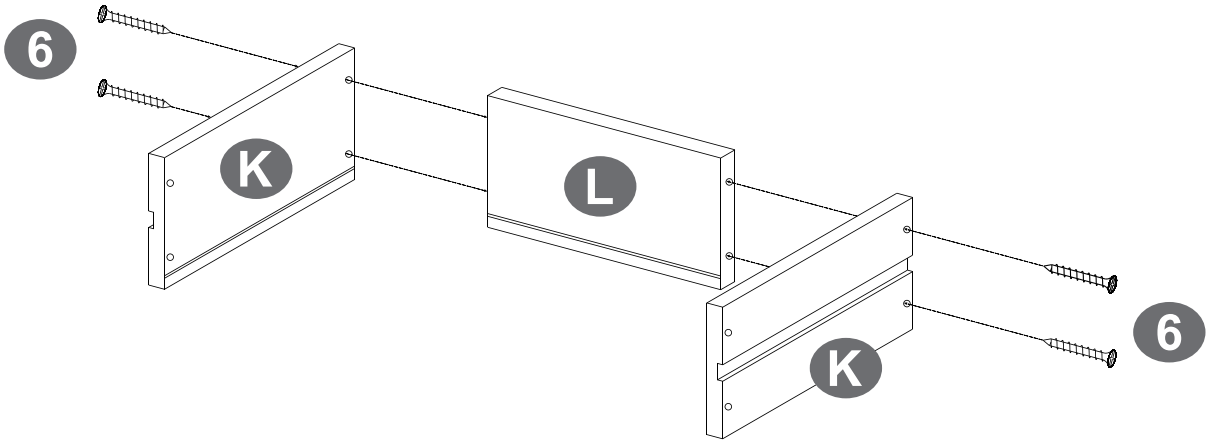
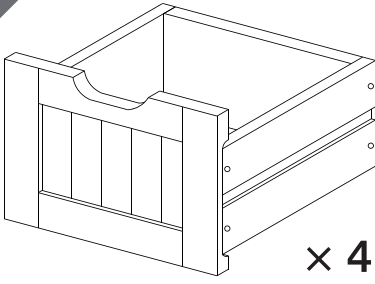
× 2

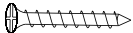


<p>J × 4</p> 	<p>K × 8</p> 	<p>L × 4</p> 
<p>M × 4</p> 	<p>N × 3</p> 	<p>O × 8</p> 
<p>1 18+1</p> 	<p>2 16+1</p> 	<p>3 16+1</p> 
<p>4 20+1</p>  <p>M3 × 12mm</p>	<p>5 × 2</p>  <p>M3 × 14mm</p>	<p>6 32+2</p>  <p>M3 × 25mm</p>

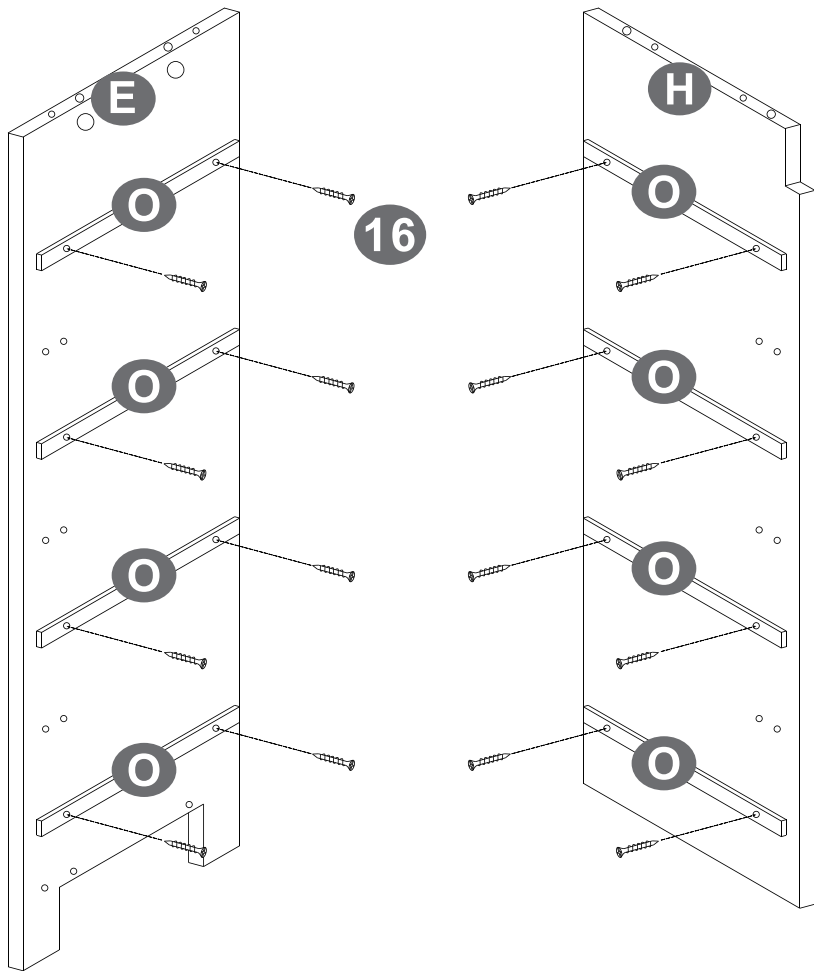
<p>7 × 2</p>  <p>M4 × 20mm</p>	<p>8 × 2</p>  <p>M4 × 30mm</p>	<p>9 × 2</p> 
<p>10 × 1</p> 	<p>11 × 1</p> 	<p>12 × 1</p> 
<p>13 × 4</p> 	<p>14 × 1</p> 	<p>15 × 4</p> 
<p>16 16+1</p> 		

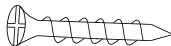
1



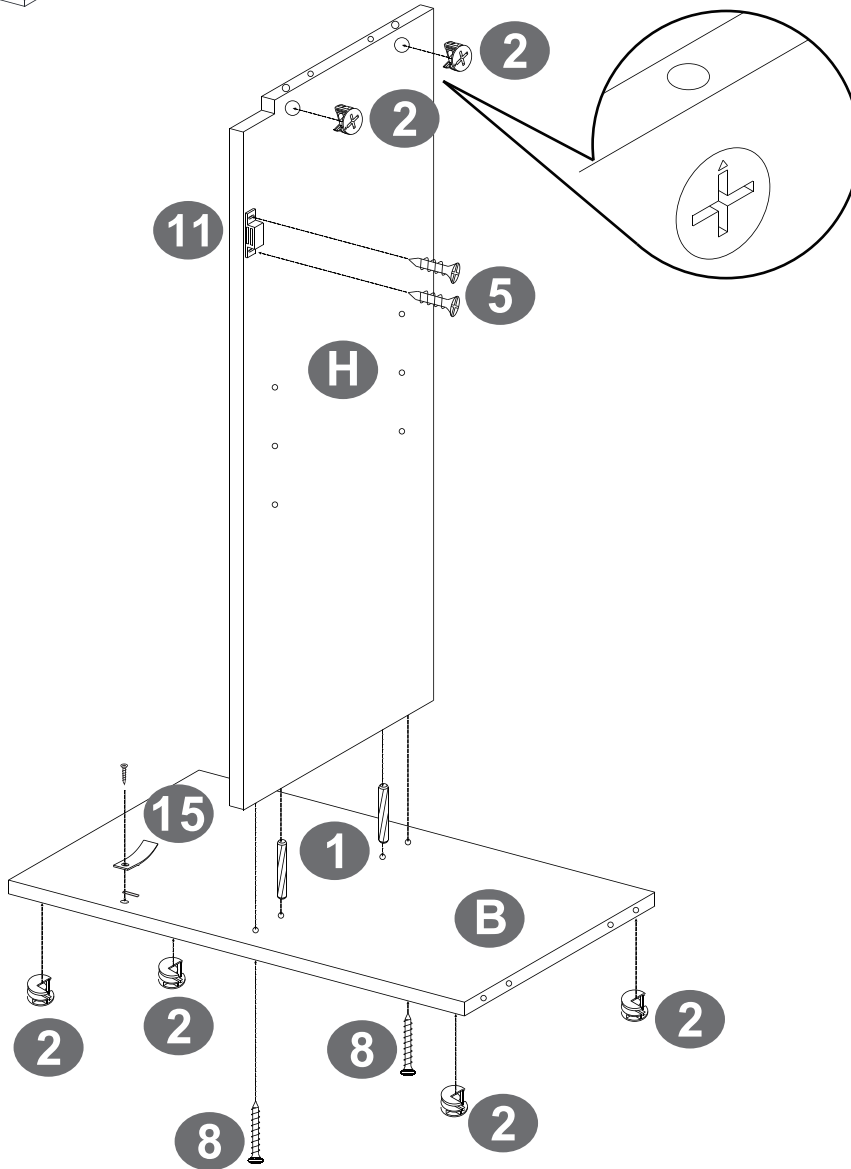
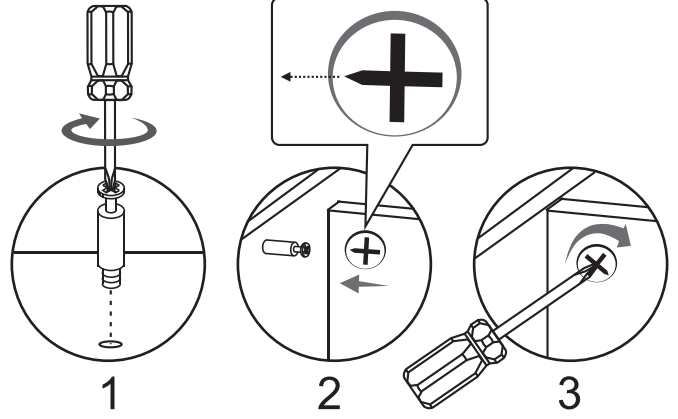
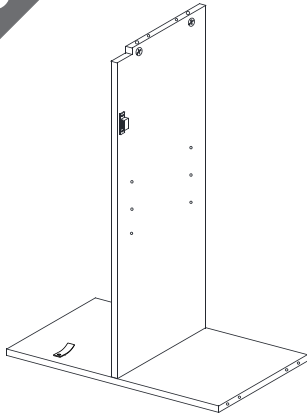
6  32PCS



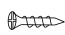
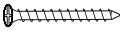


2



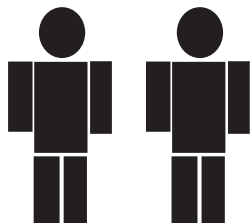
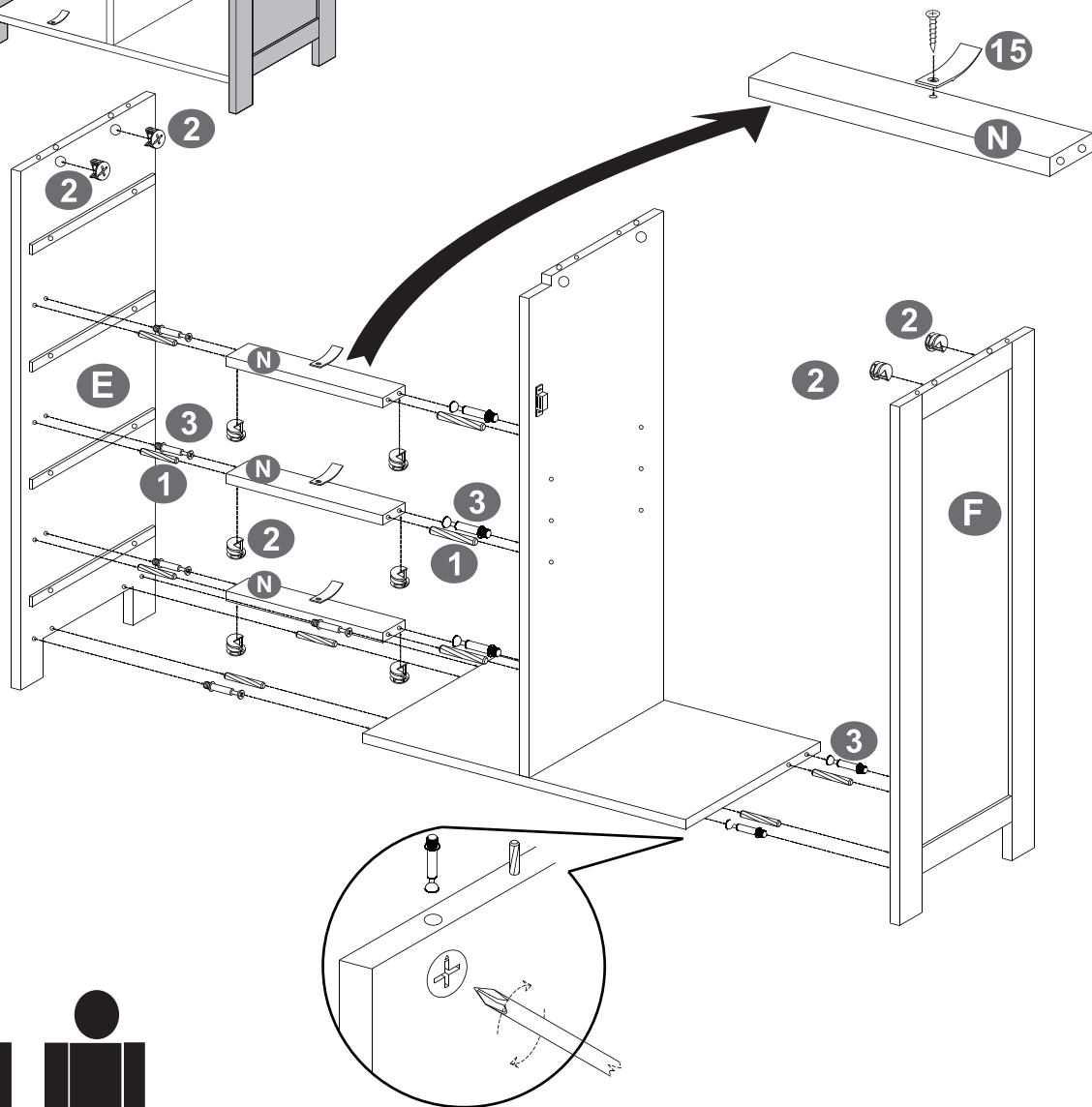
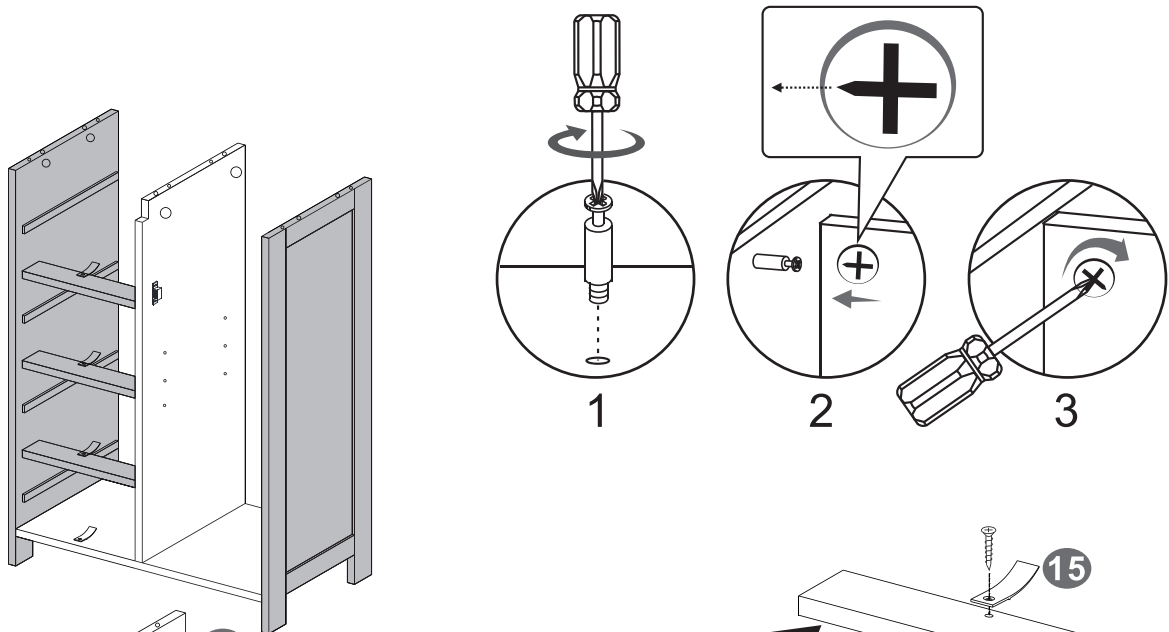
16  16PCS





3



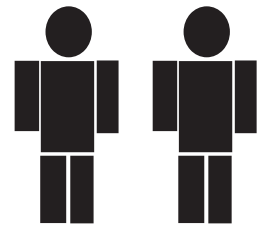
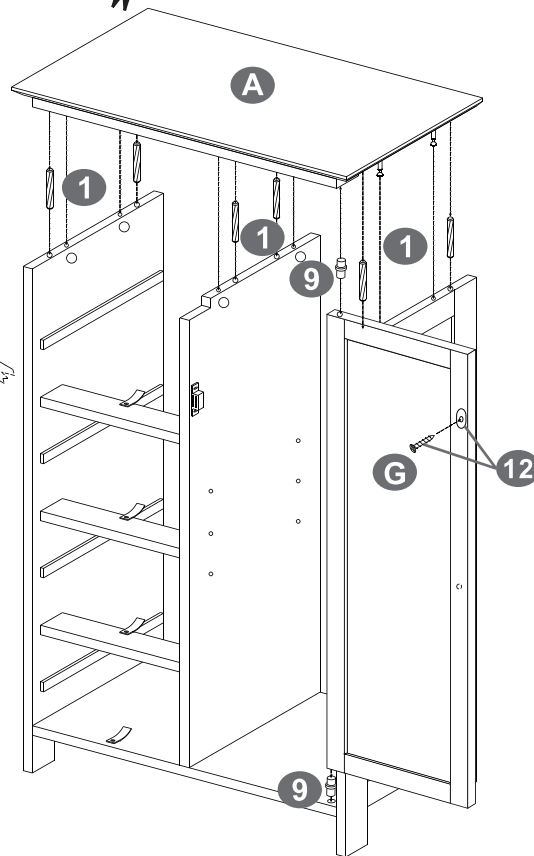
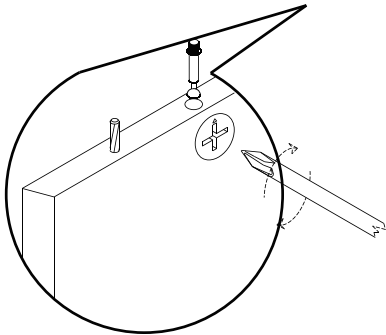
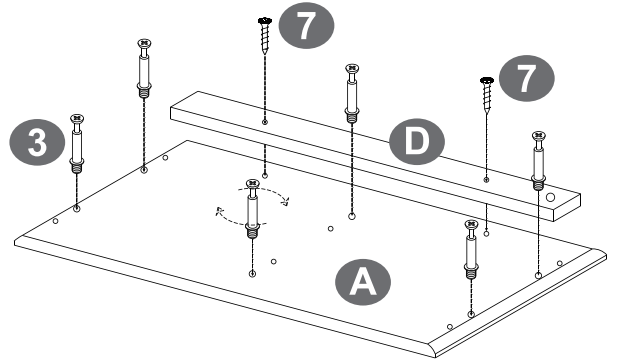
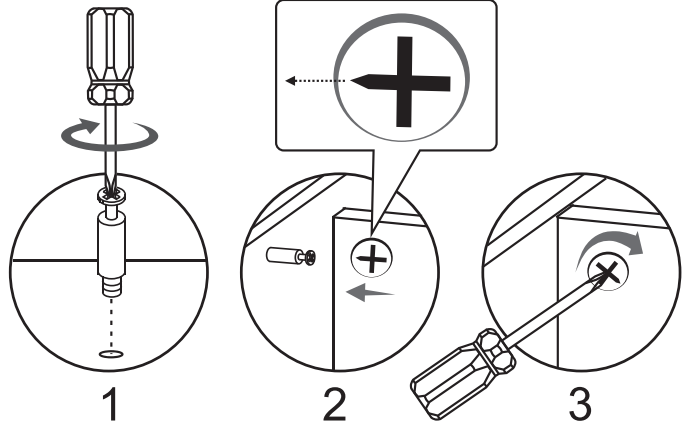
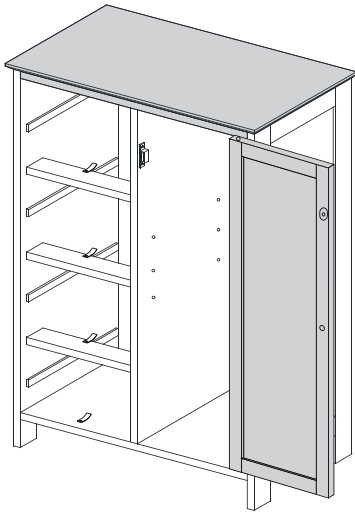
1		2PCS	2		6PCS	5		2PCS
8		2PCS	11		1PCS	15		1PCS

4



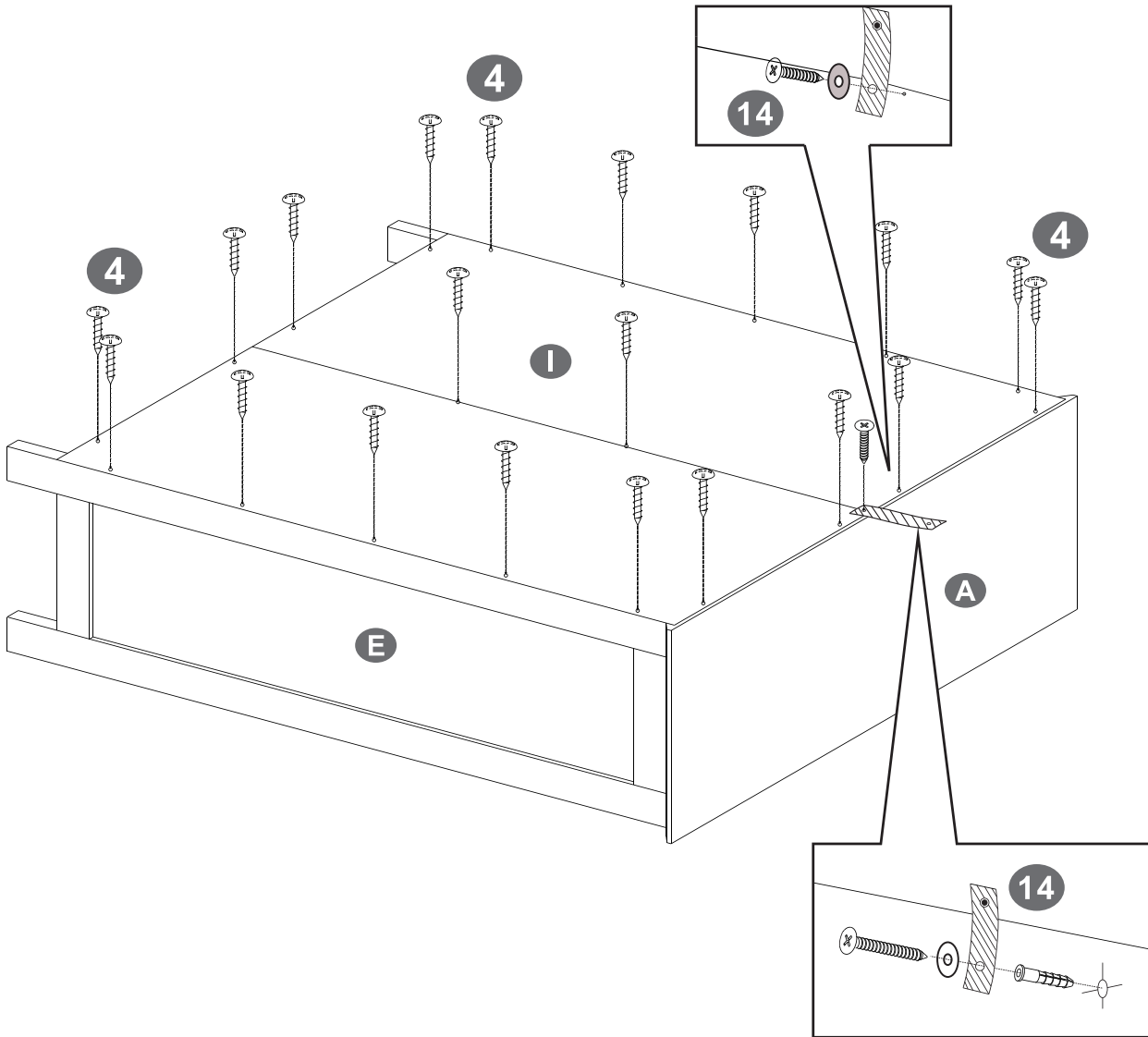
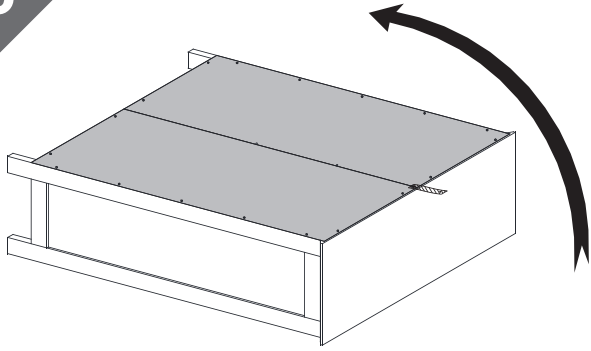
1		10PCS	2		10PCS
3		10PCS	15		3PCS

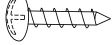
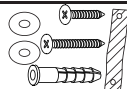
5



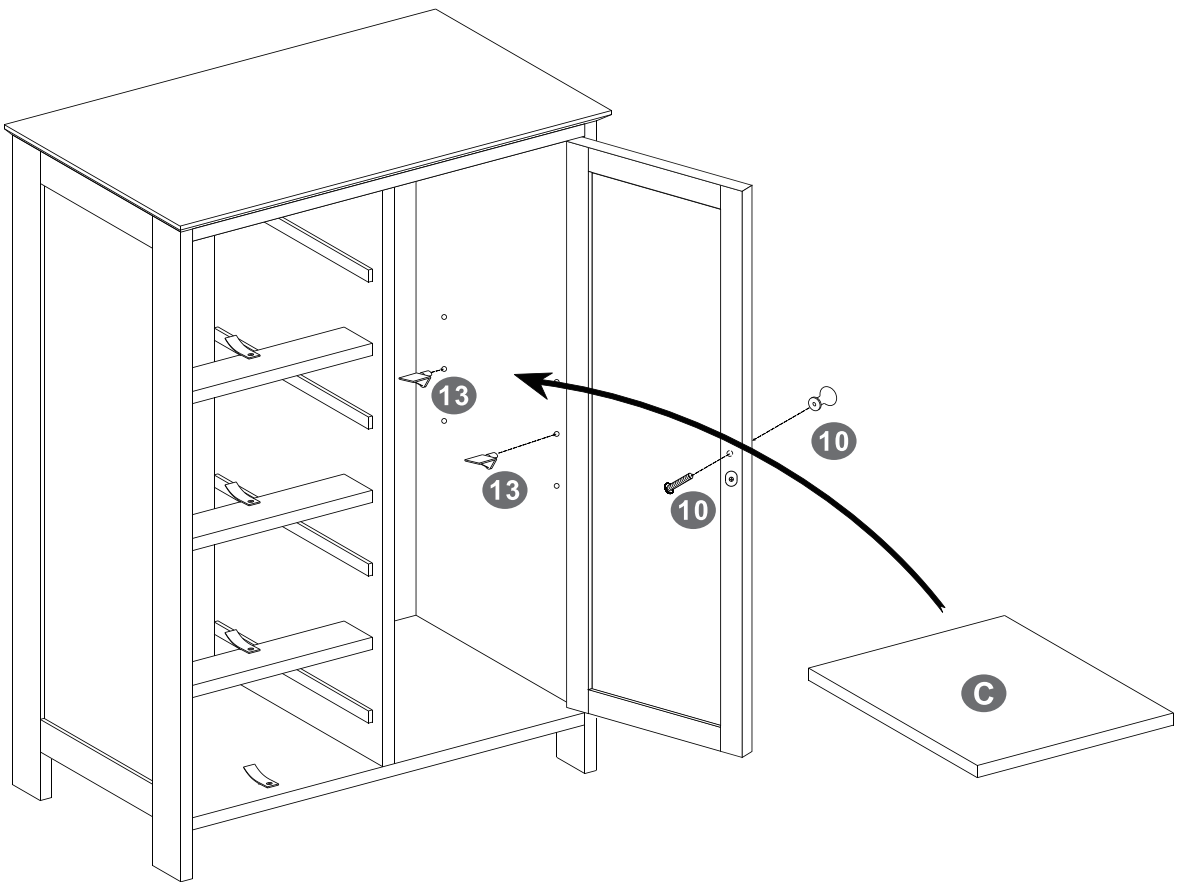
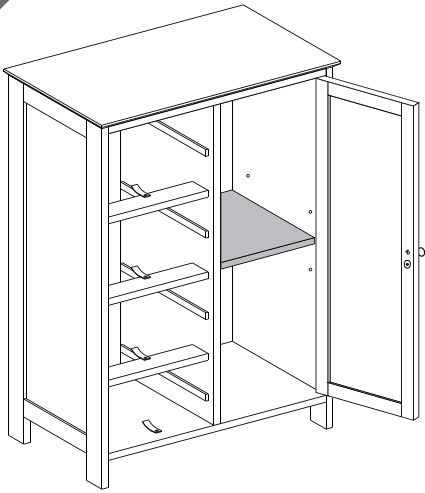
1		6PCS	3		6PCS	7		2PCS
9		2PCS	12		1PCS			

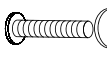
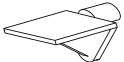
6



4		20PCS
14		1PCS

7



10		1PCS
13		4PCS

8

