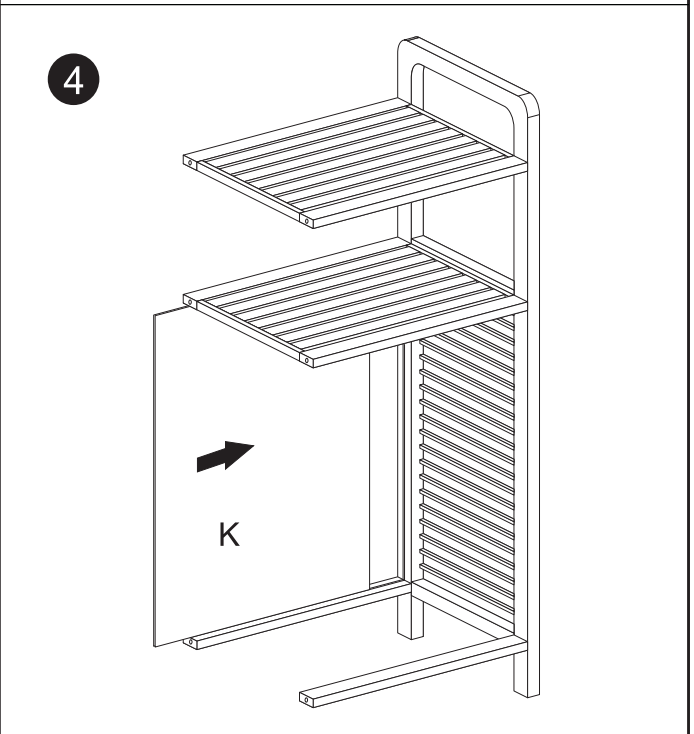
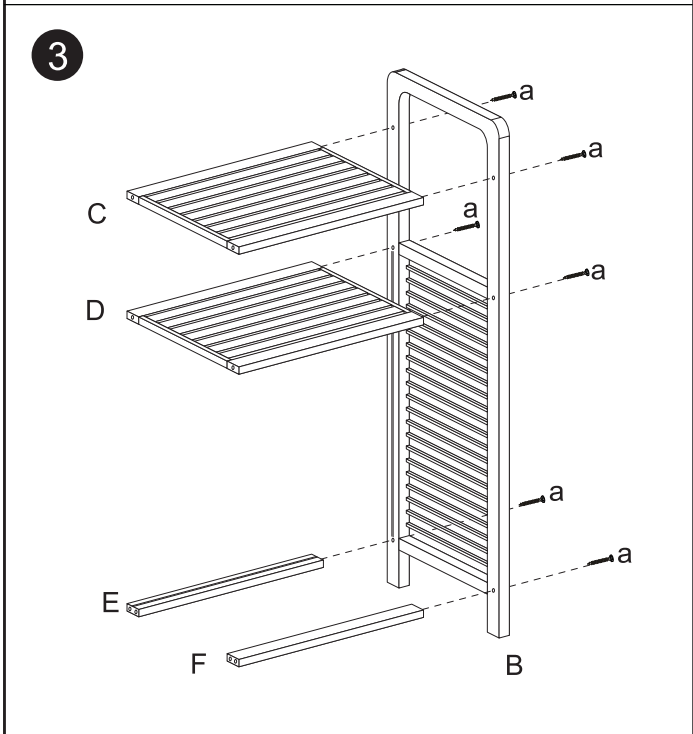
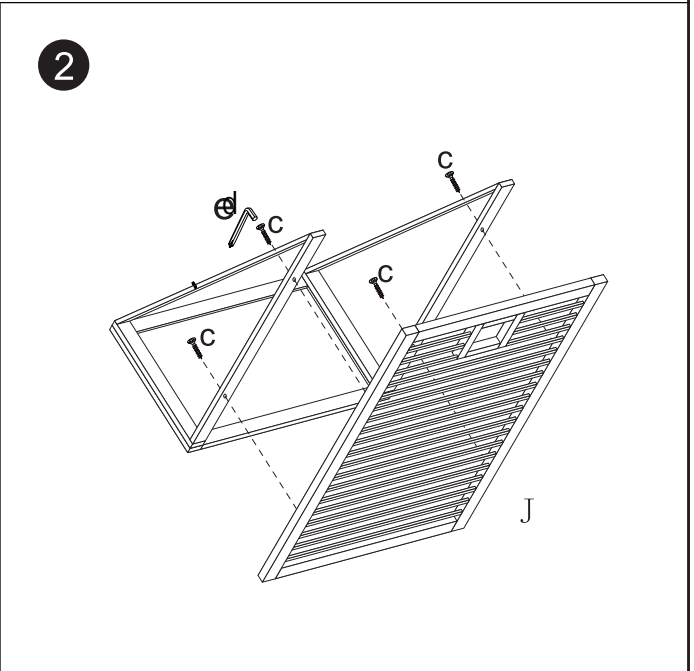
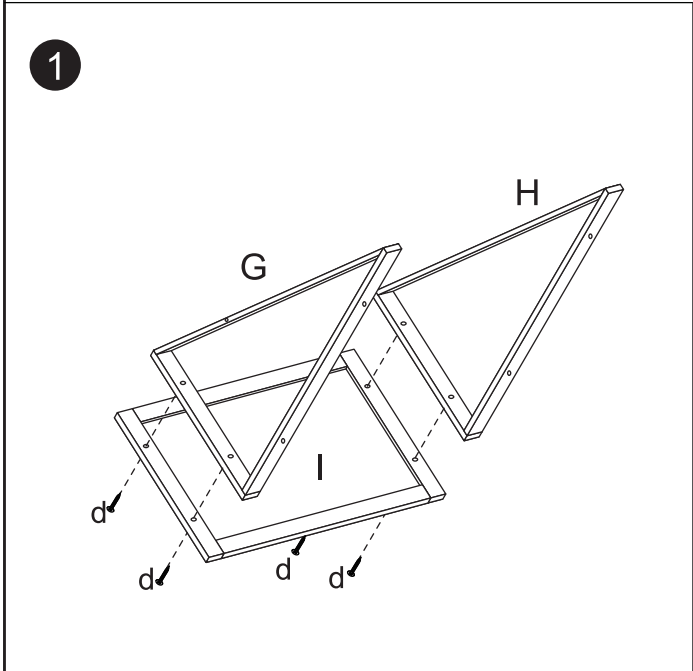
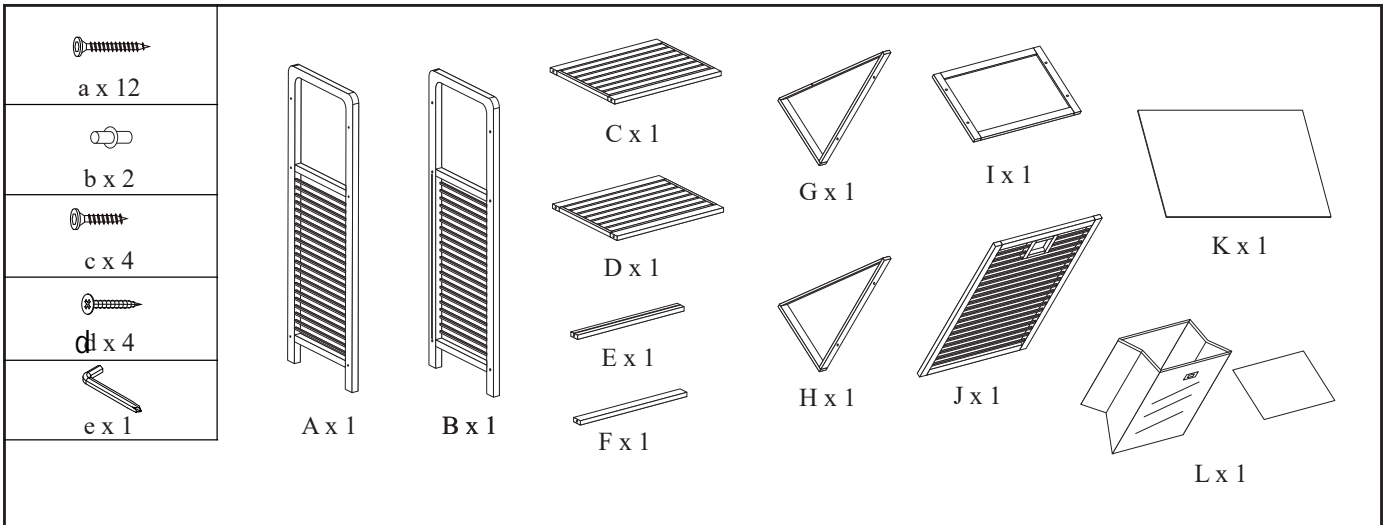
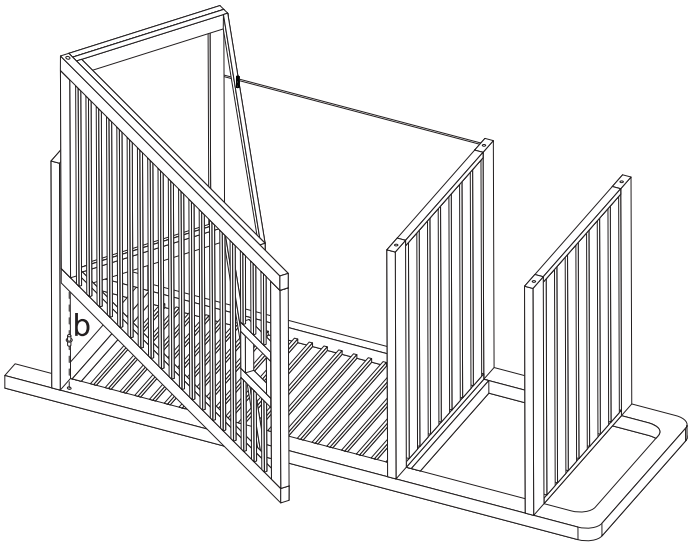


ASSEMBLY INSTRUCTIONS

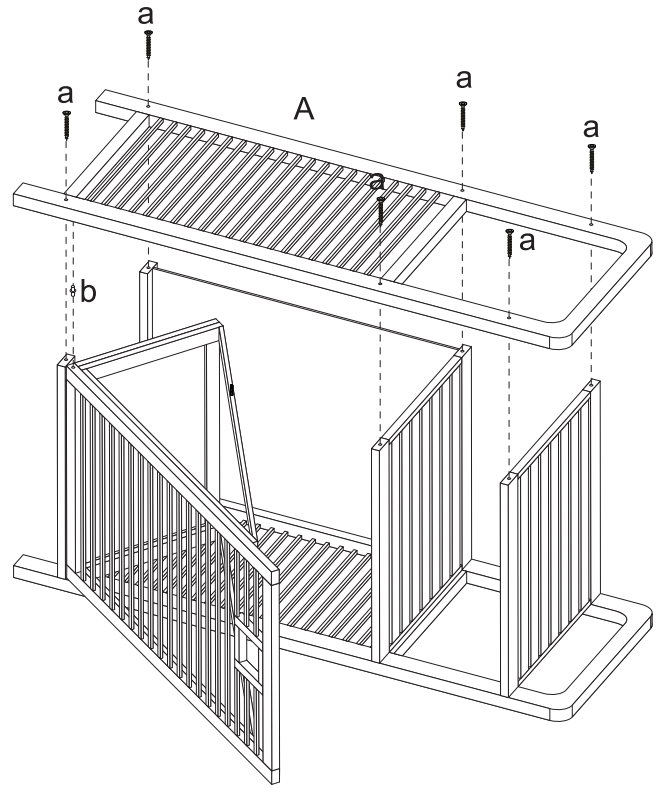
<<Before assembling, read all the instruction>>



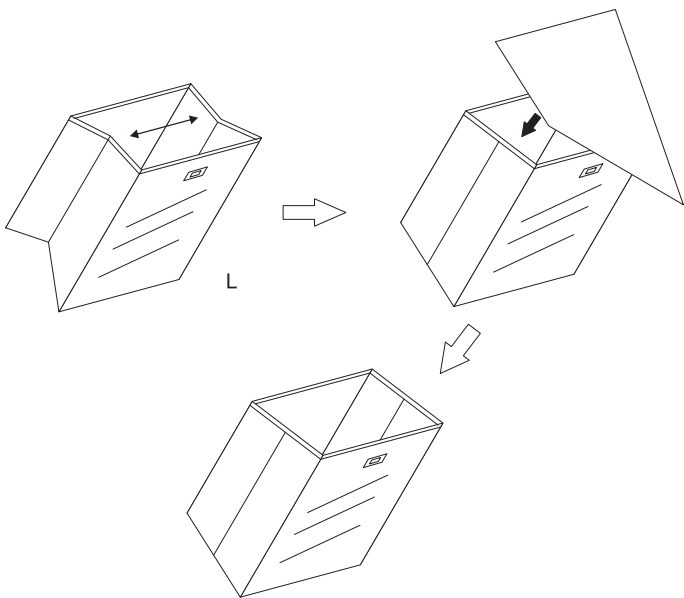
5



6



7



8

