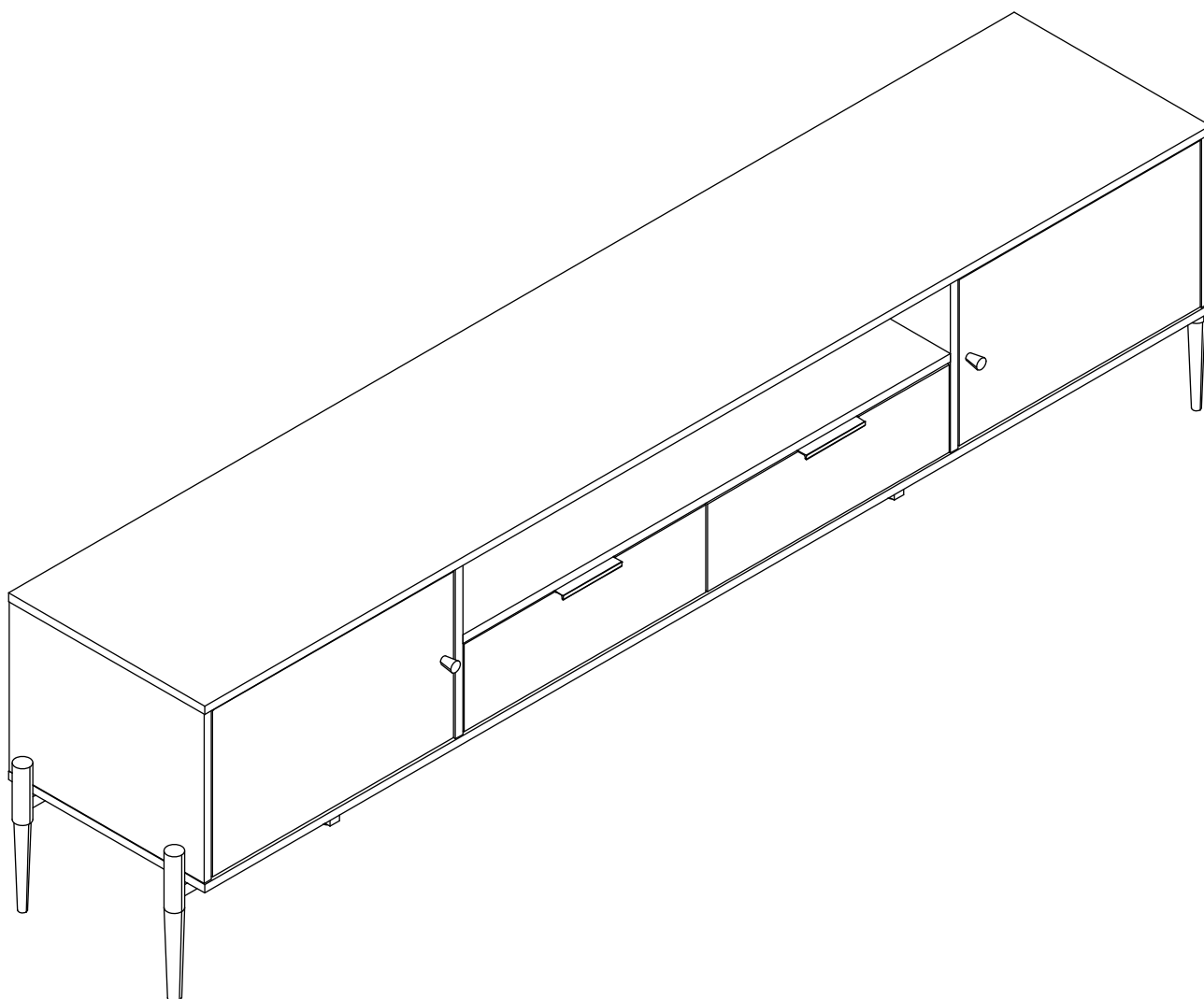
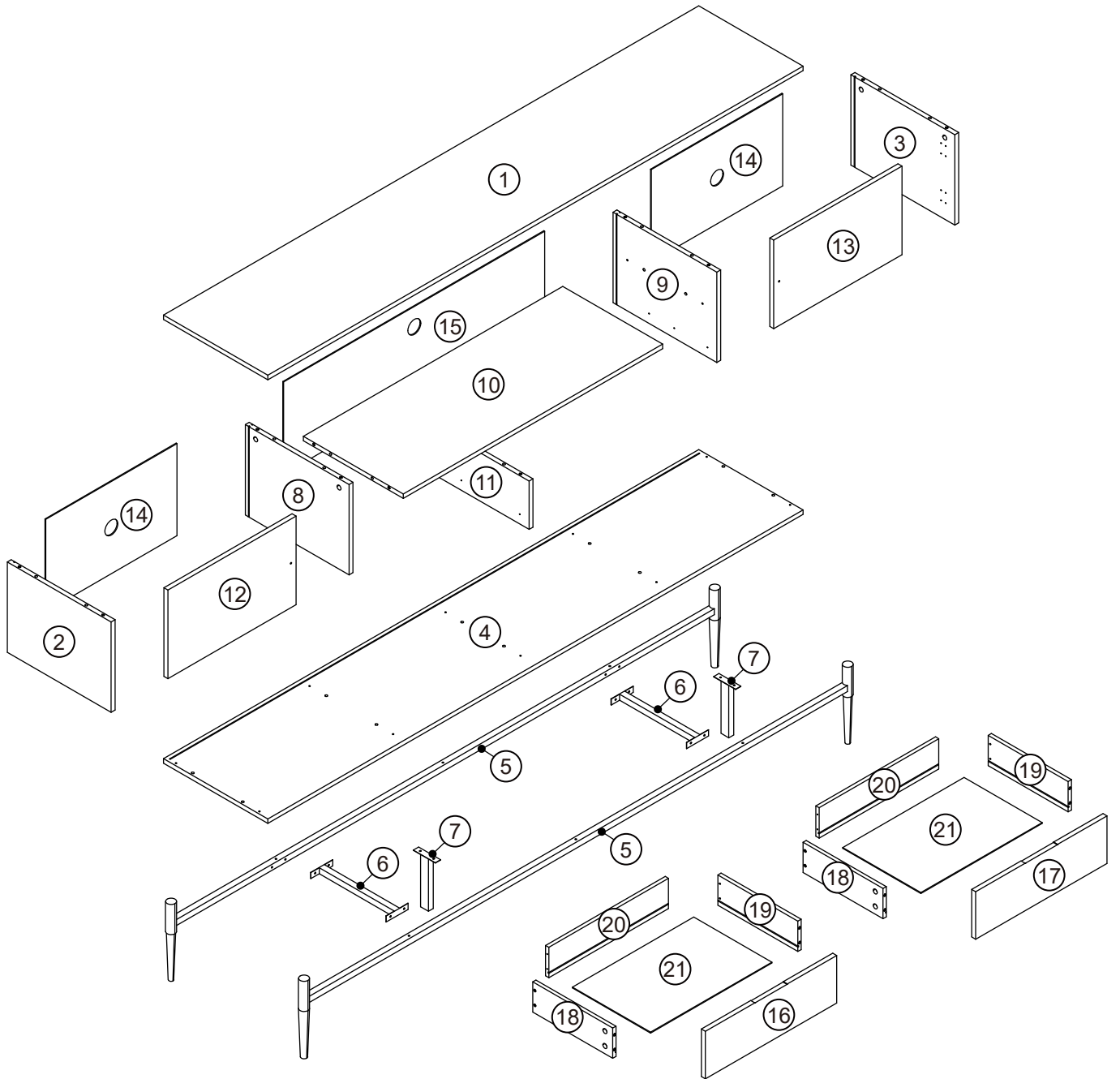


ASSEMBLY INSTRUCTIONS



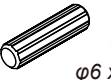




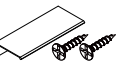
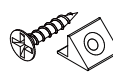

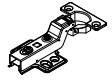
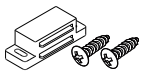

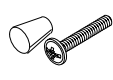
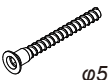





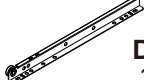
<<Before assembling, read all instructions>>



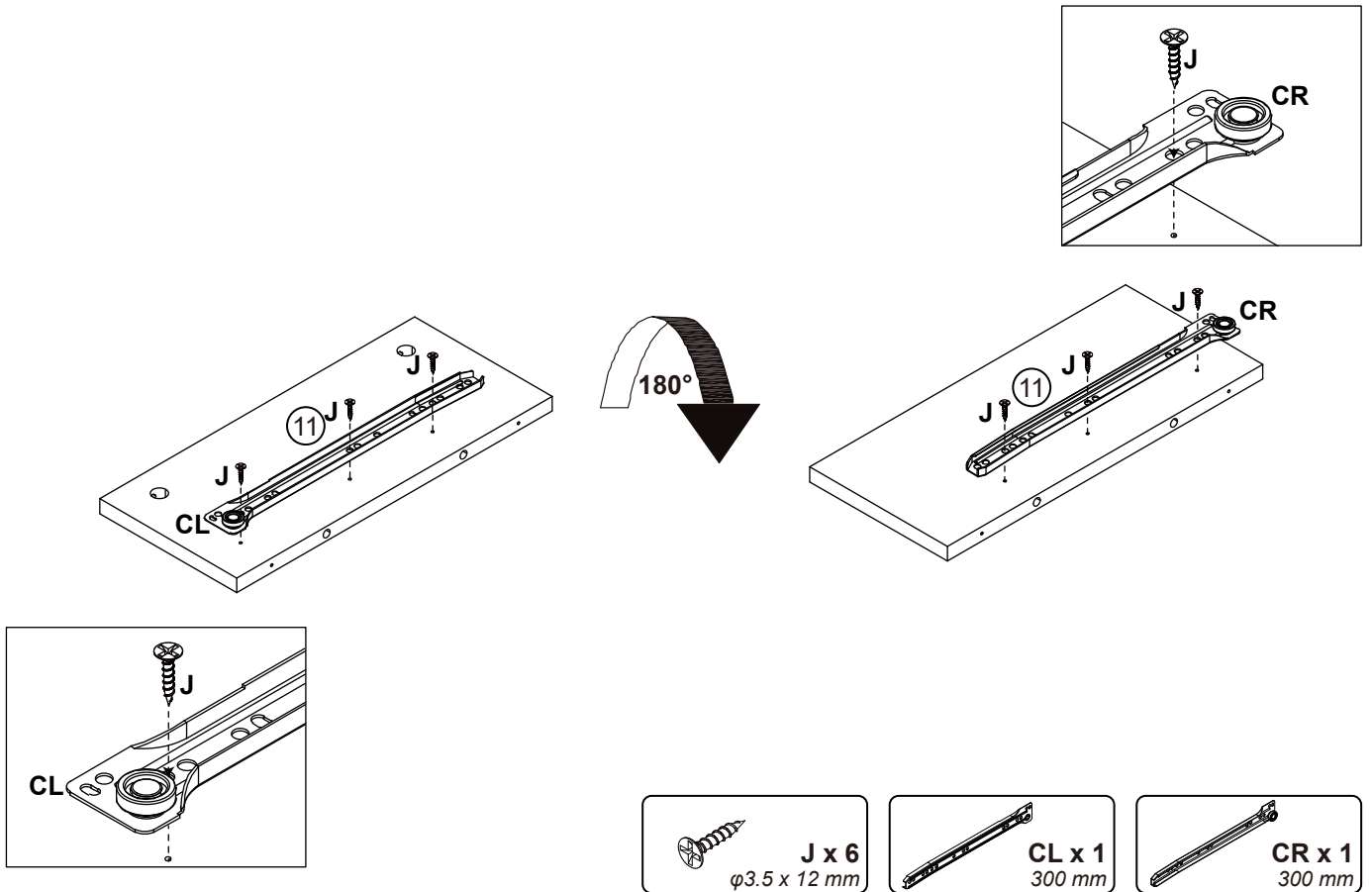
Exploded View



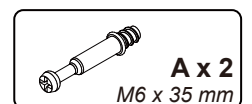
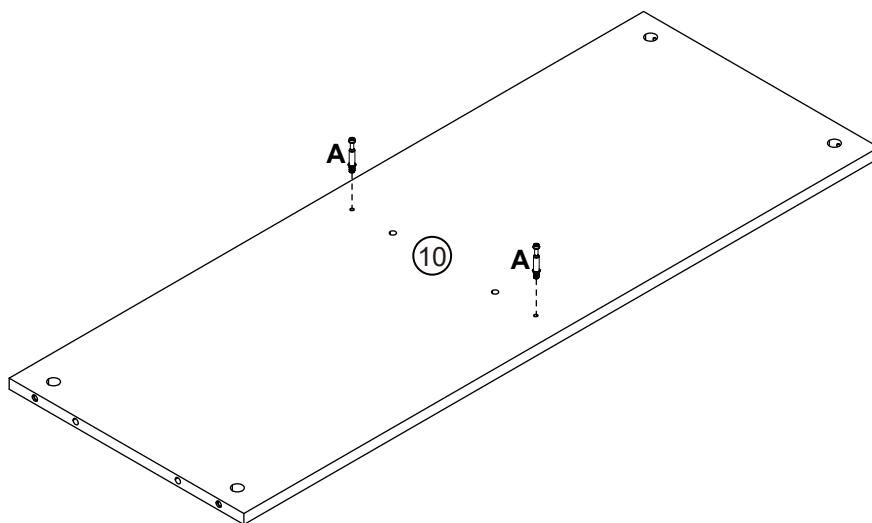
Fittings

 A x 22 M6 x 35 mm	 B x 22 φ15 x 9.5 mm	 C x 24 φ6 x 30 mm	 D x 8 φ4 x 35 mm	 E x 12 M6 x 12 mm
 F x 6 M6 x 30 mm	 G x 1 M4	 H x 2	 I x 12	 J x 48 φ3.5 x 12 mm
 K x 4	 L x 2	 M x 2	 N x 2	 O x 10 φ5 x 40 mm
 P x 1 M3	 Q x 2	 CL x 2 300 mm	 CR x 2 300 mm	 DL x 2 300 mm
 DR x 2 300 mm				

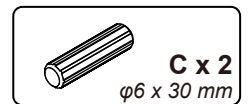
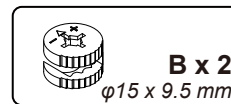
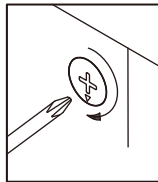
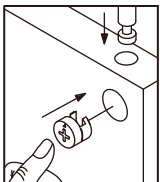
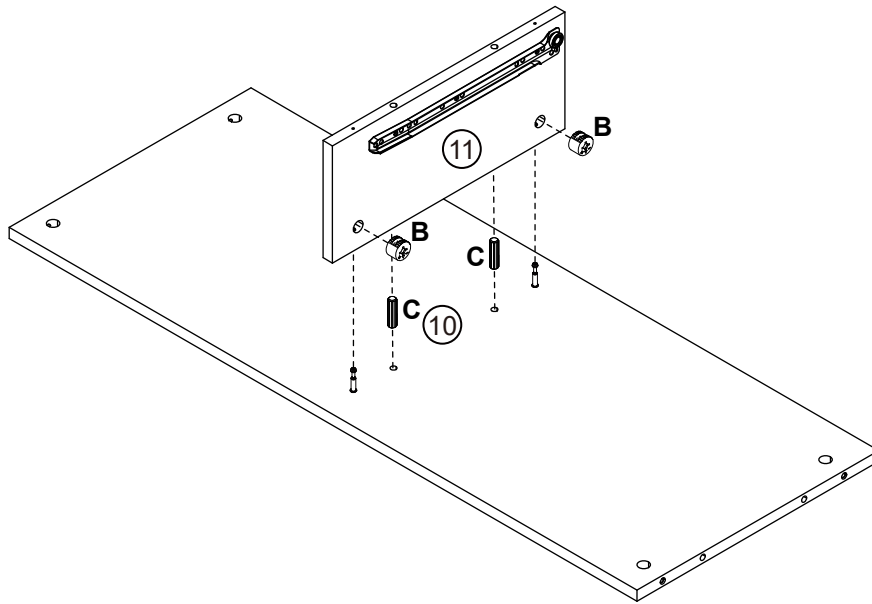
Step 1



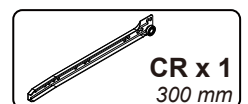
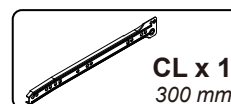
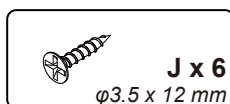
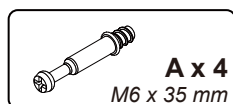
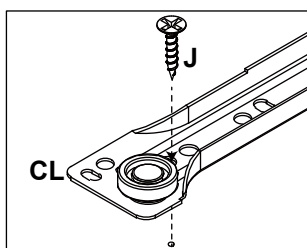
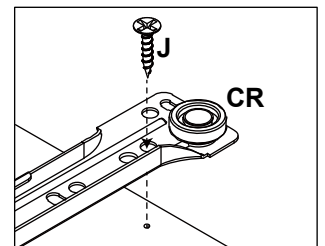
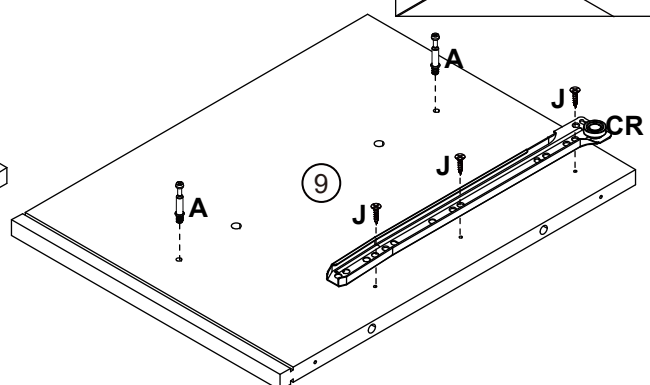
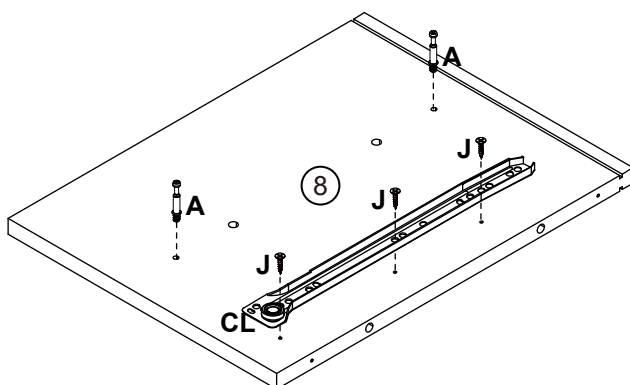
Step 2



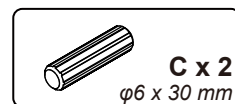
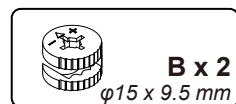
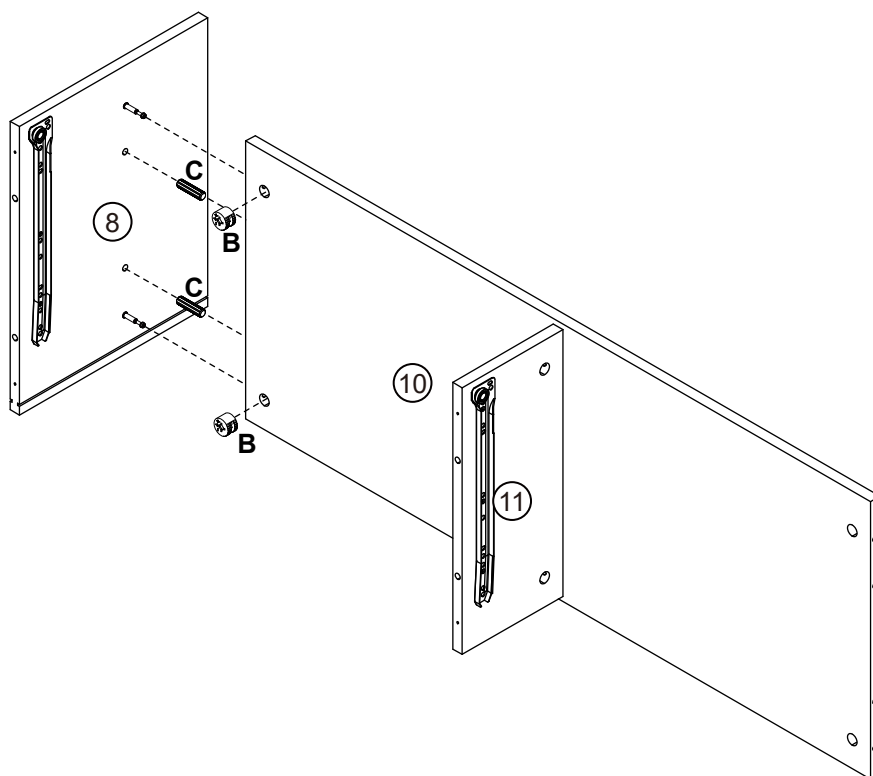
Step 3



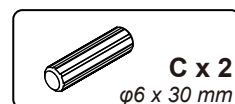
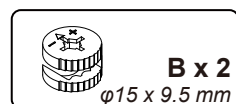
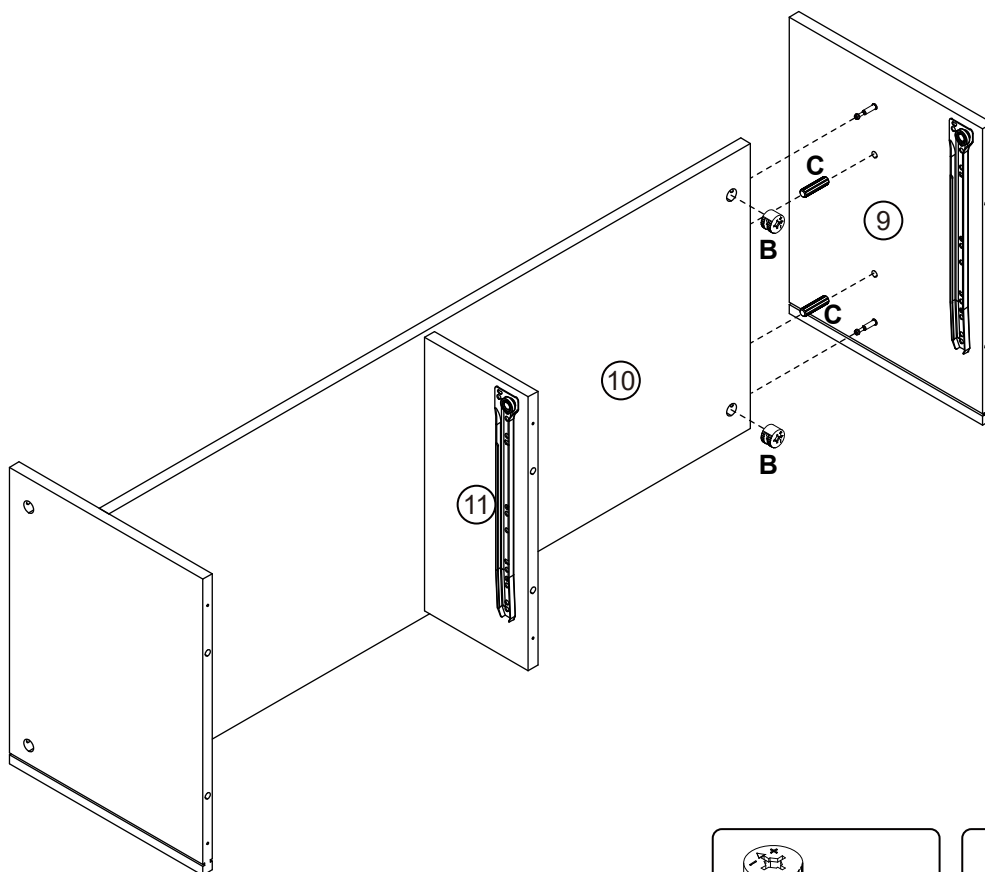
Step 4



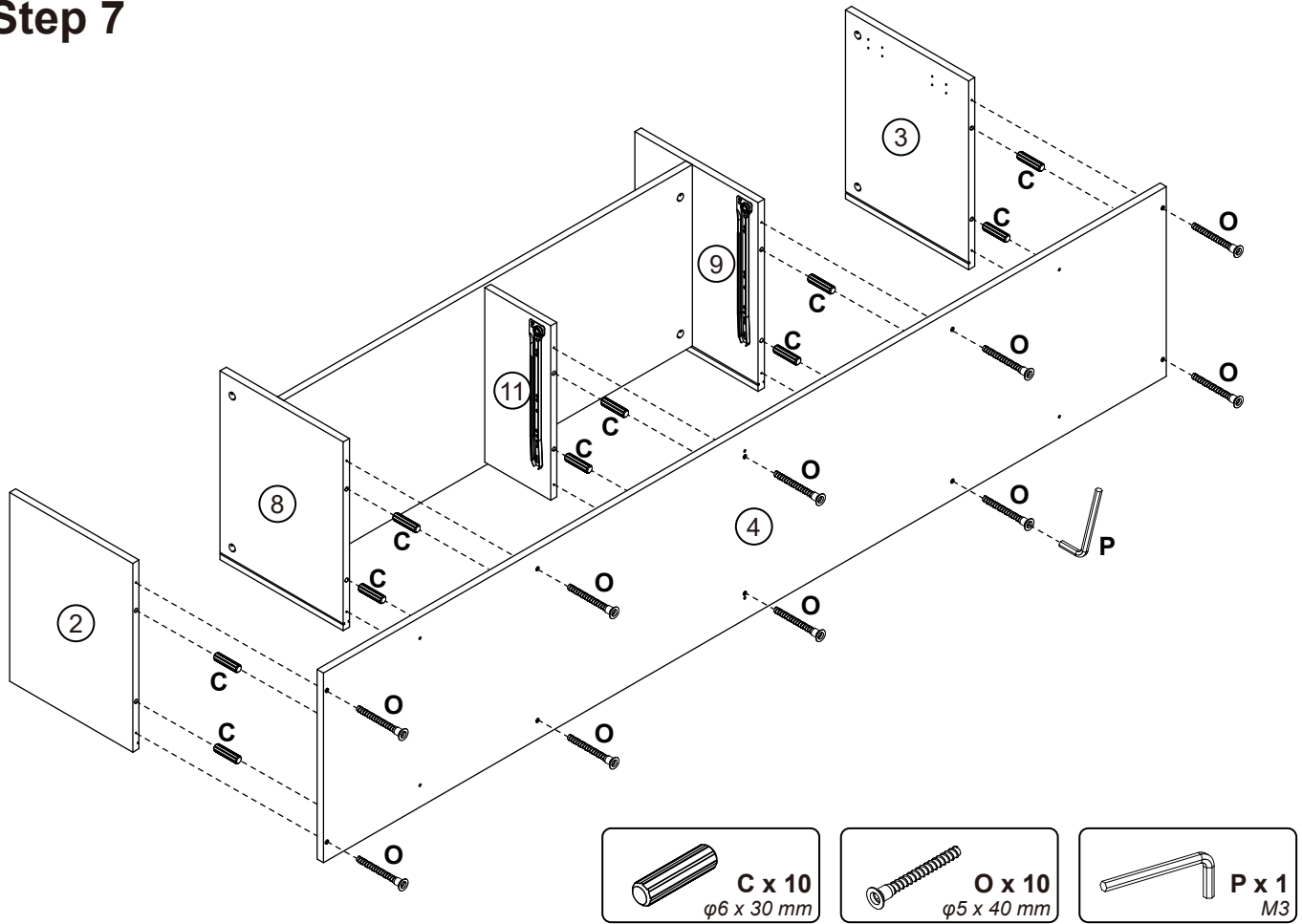
Step 5



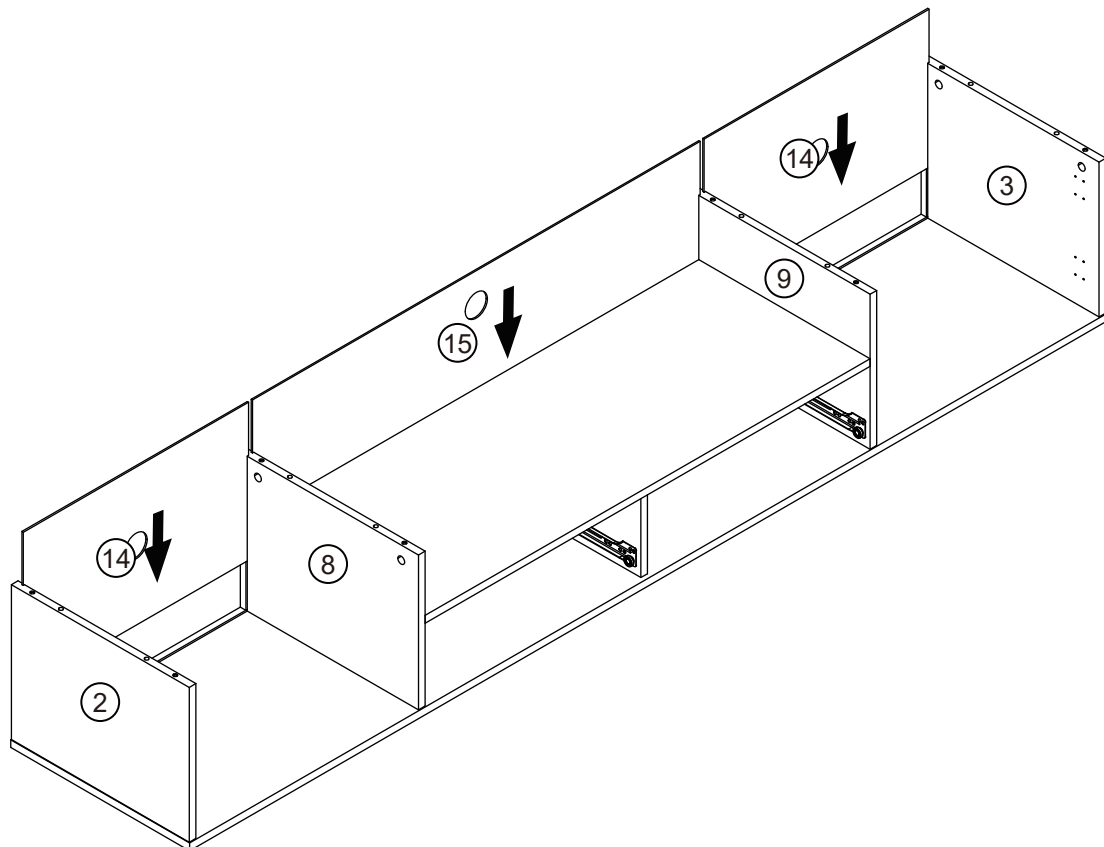
Step 6



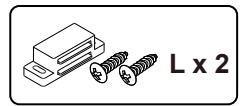
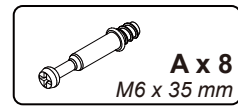
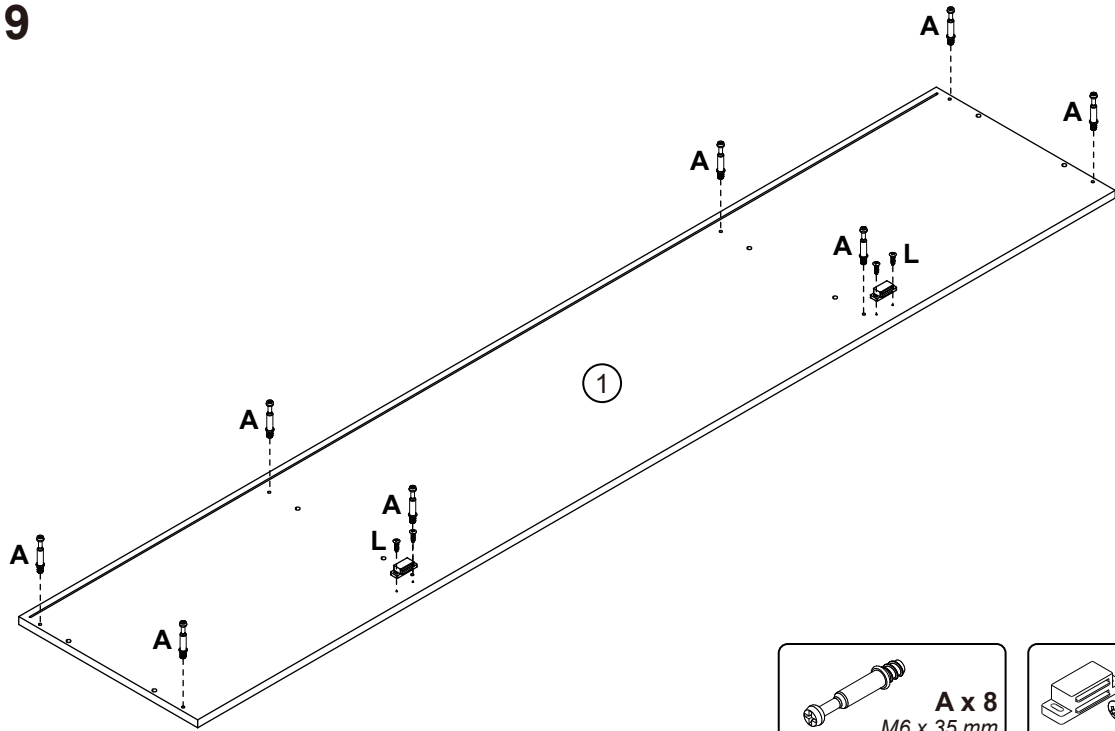
Step 7



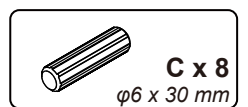
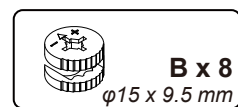
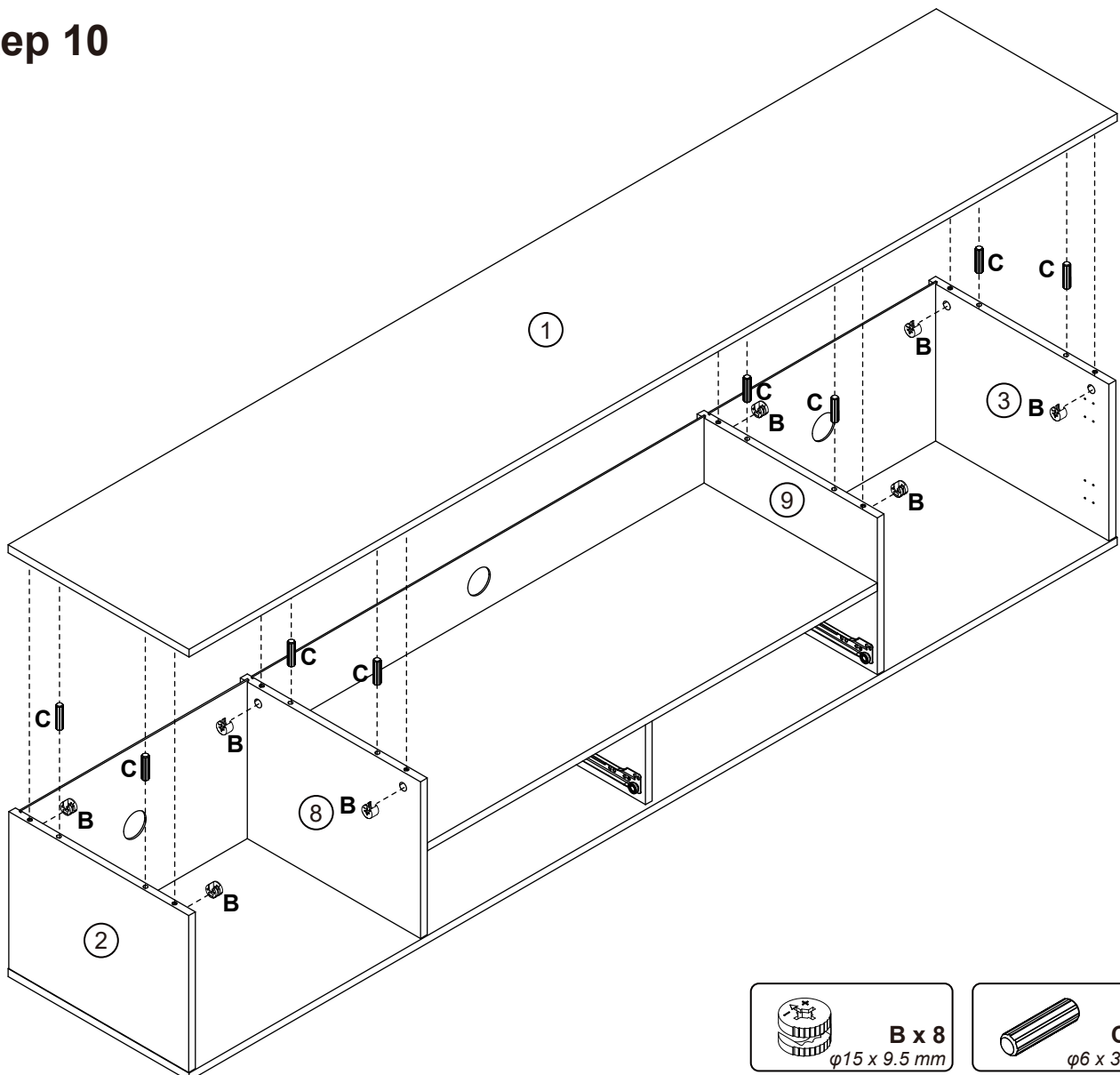
Step 8



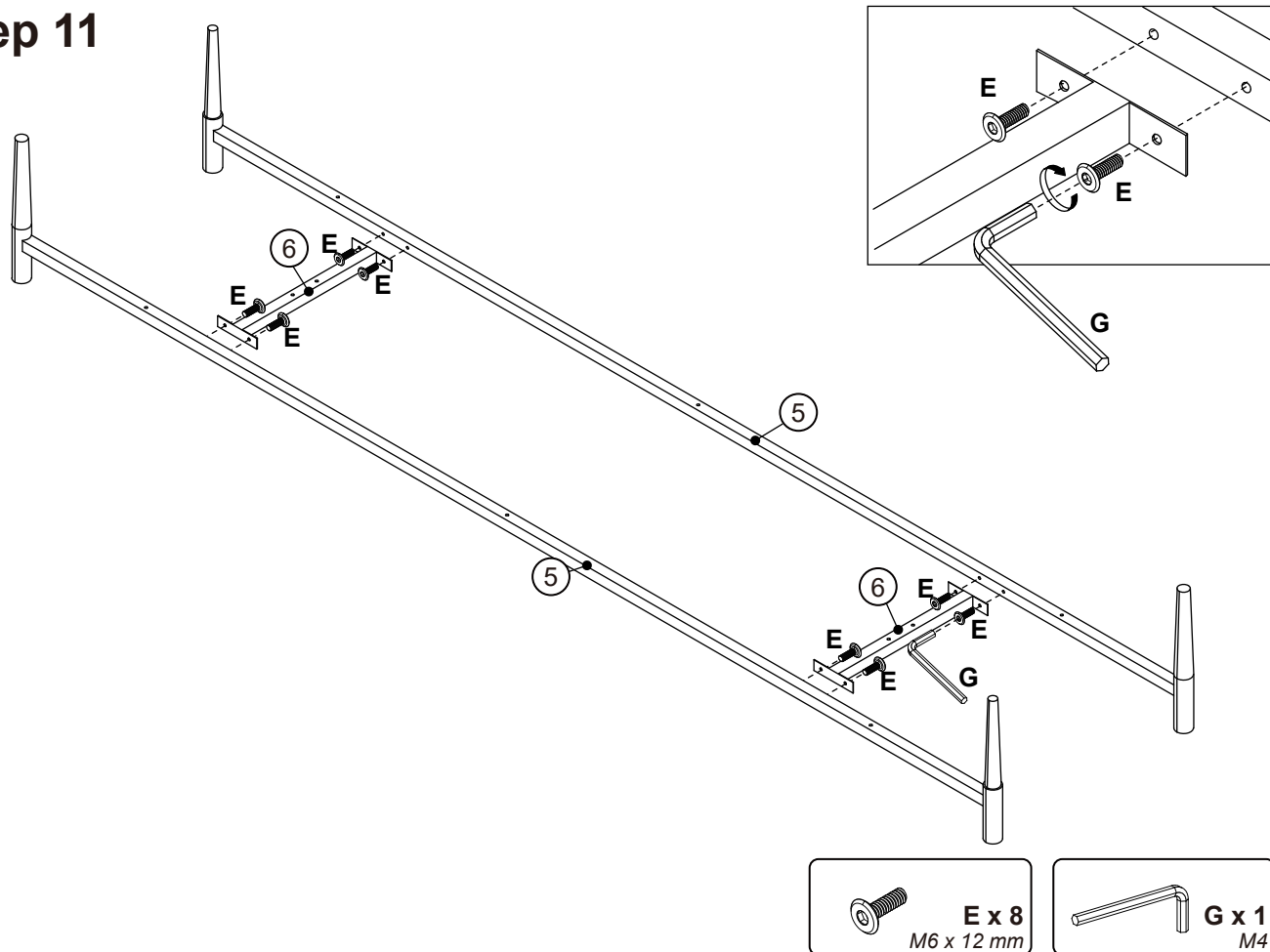
Step 9



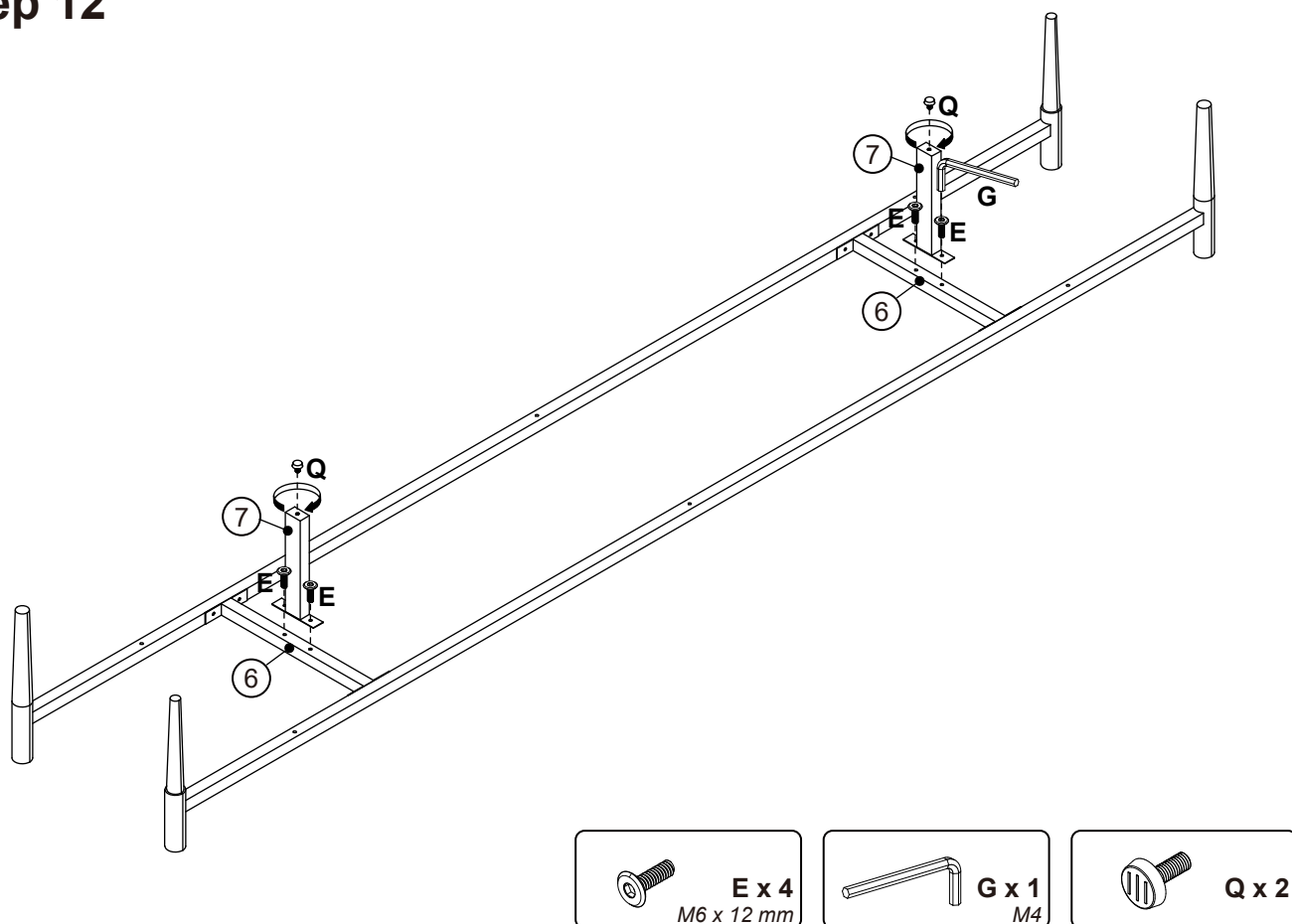
Step 10



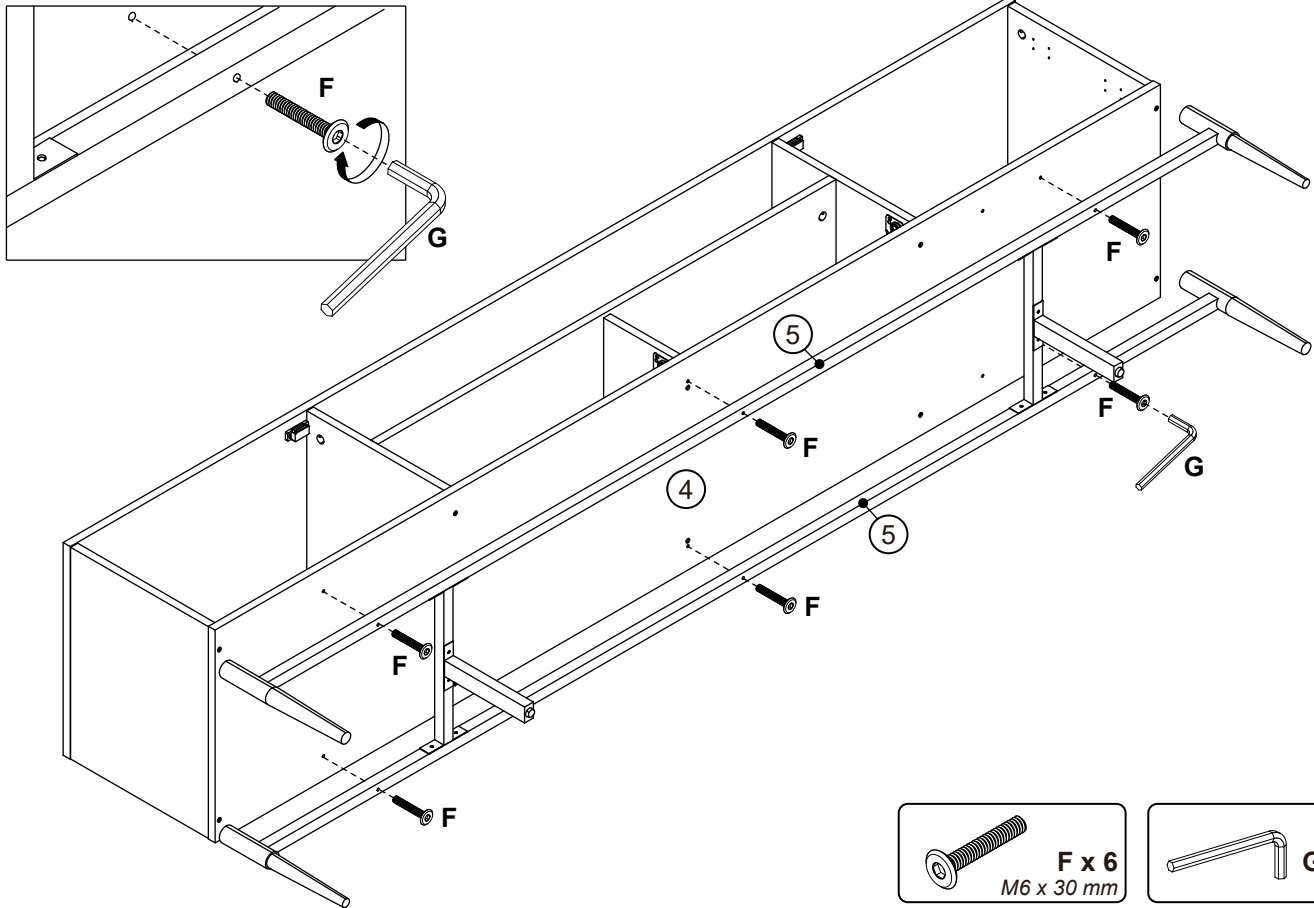
Step 11



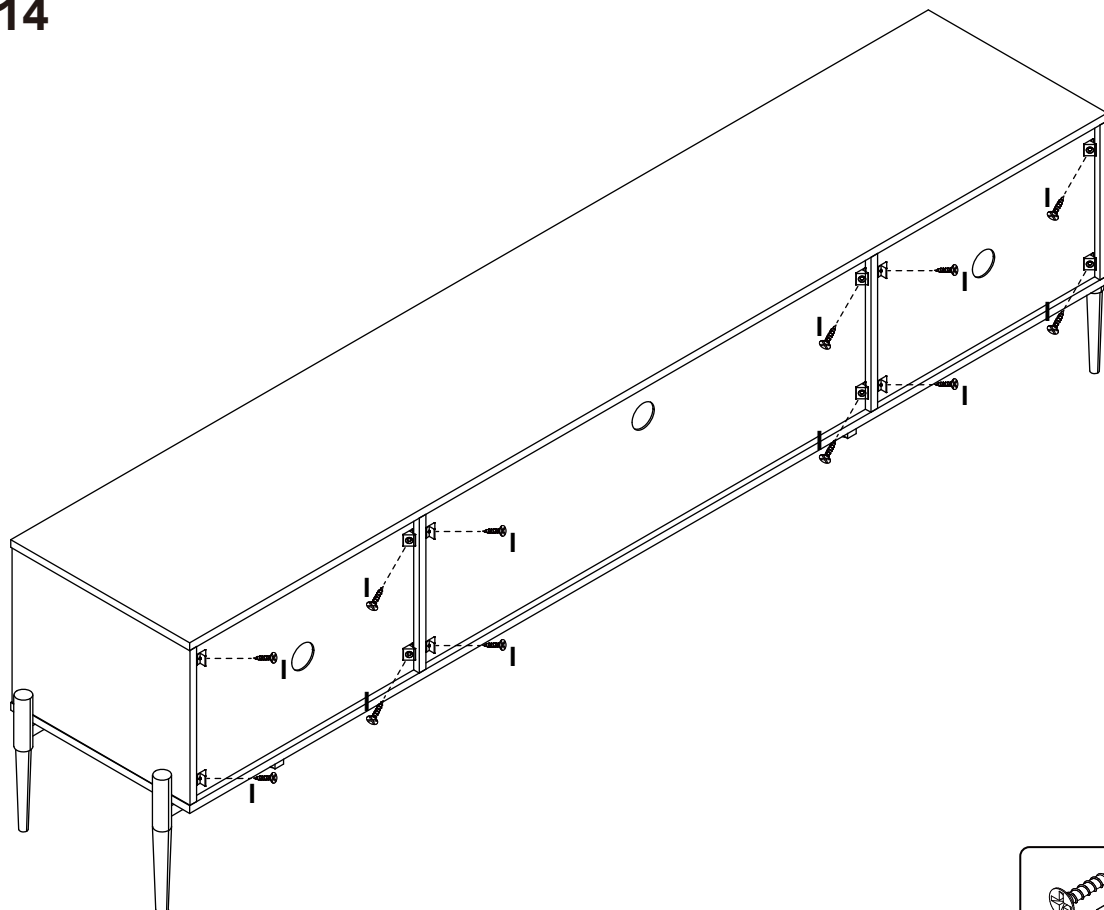
Step 12



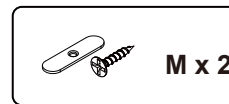
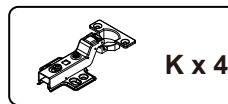
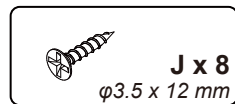
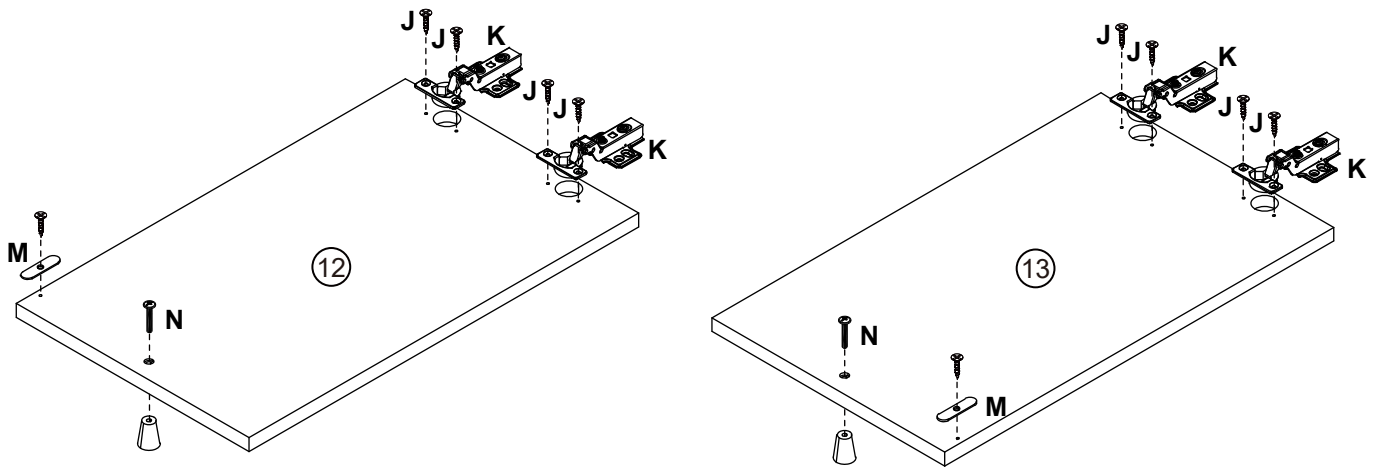
Step 13



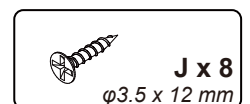
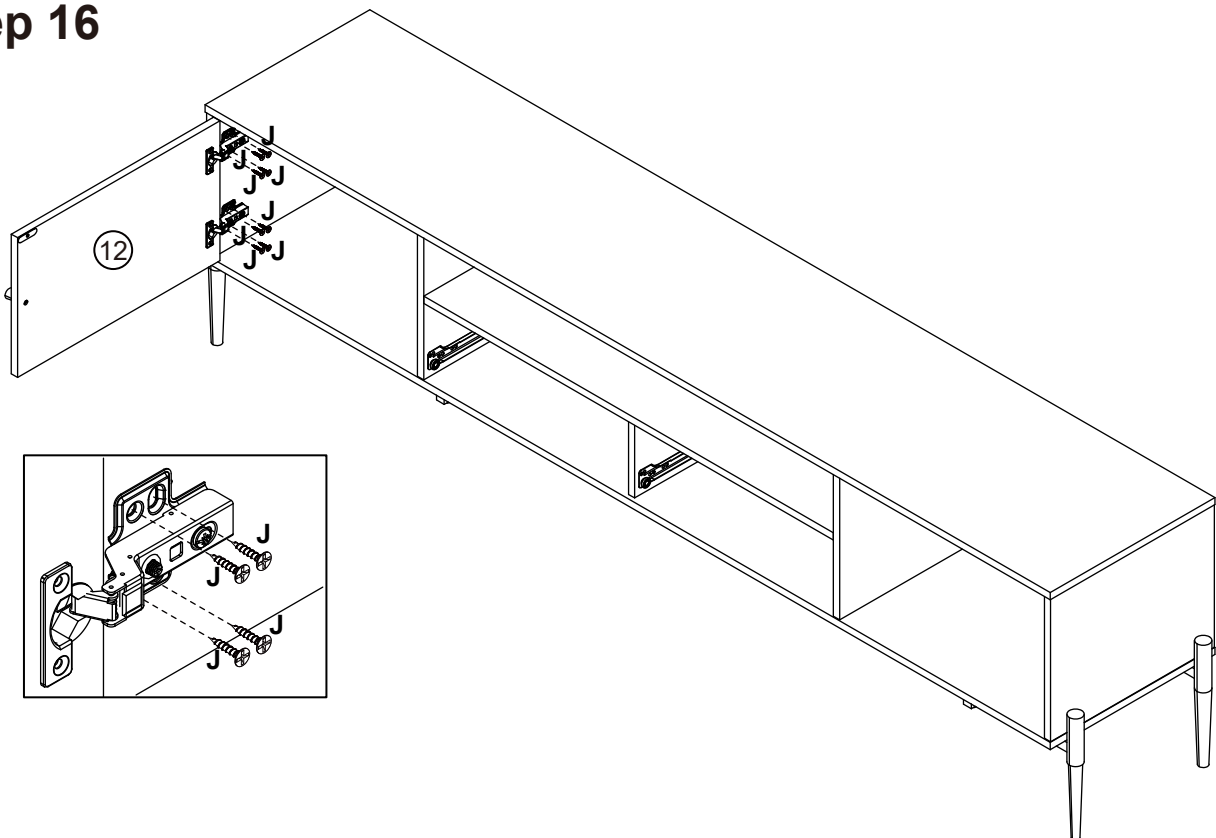
Step 14



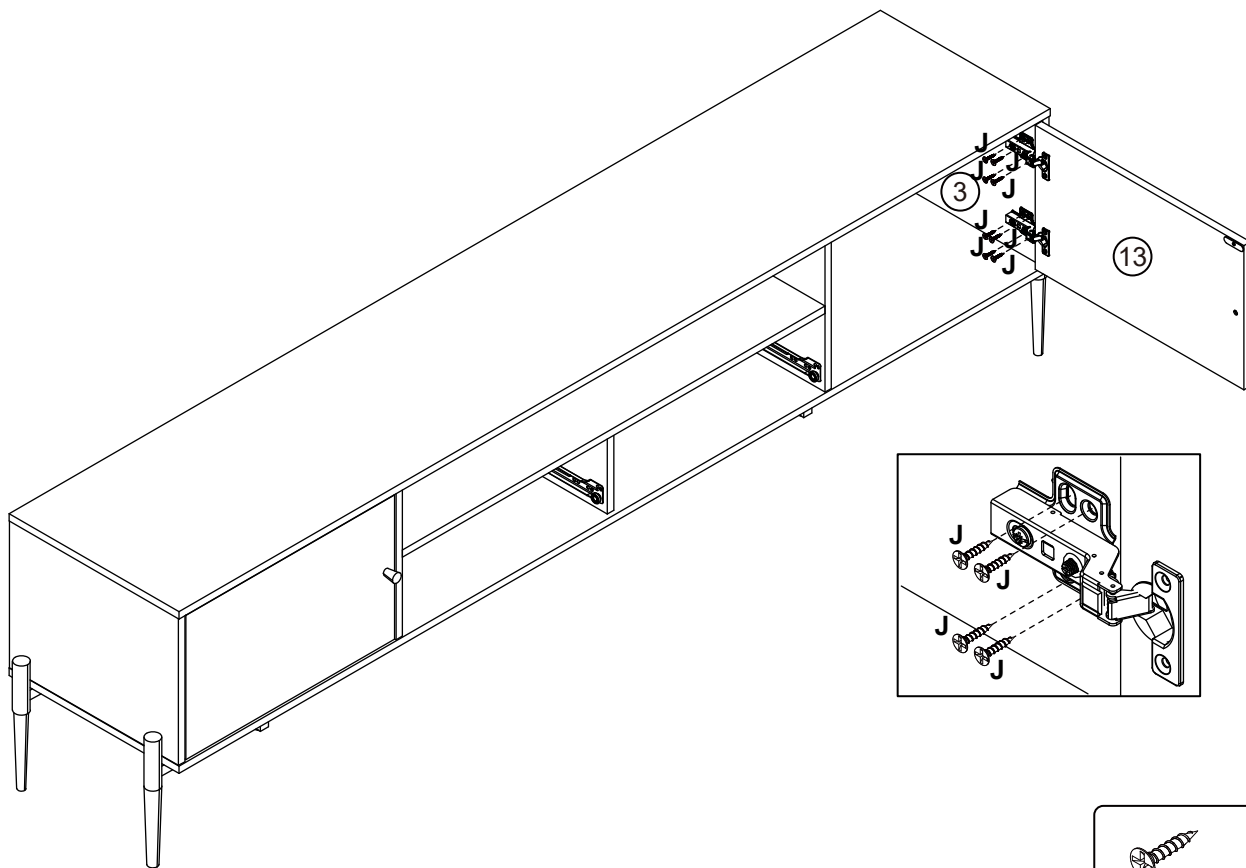
Step 15



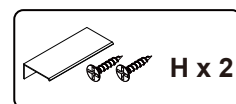
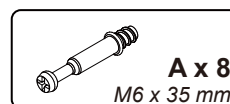
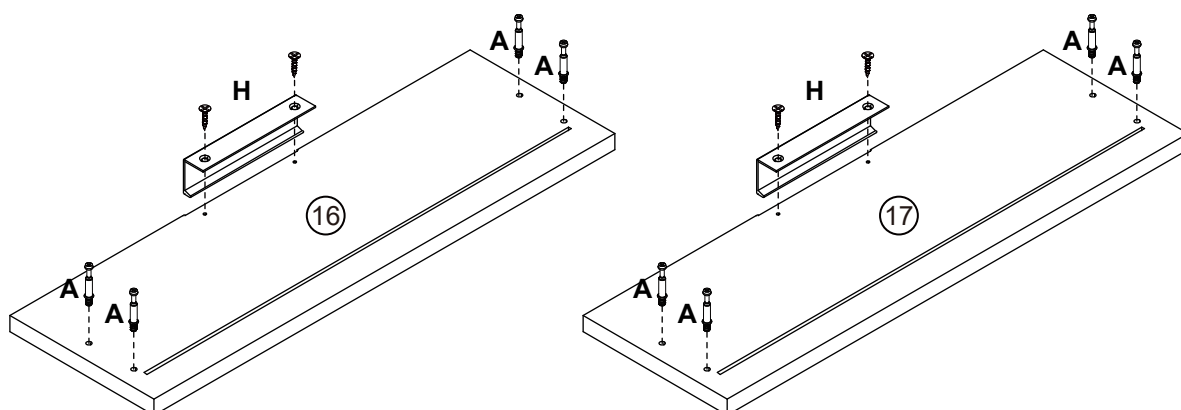
Step 16



Step 17

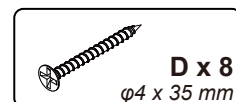
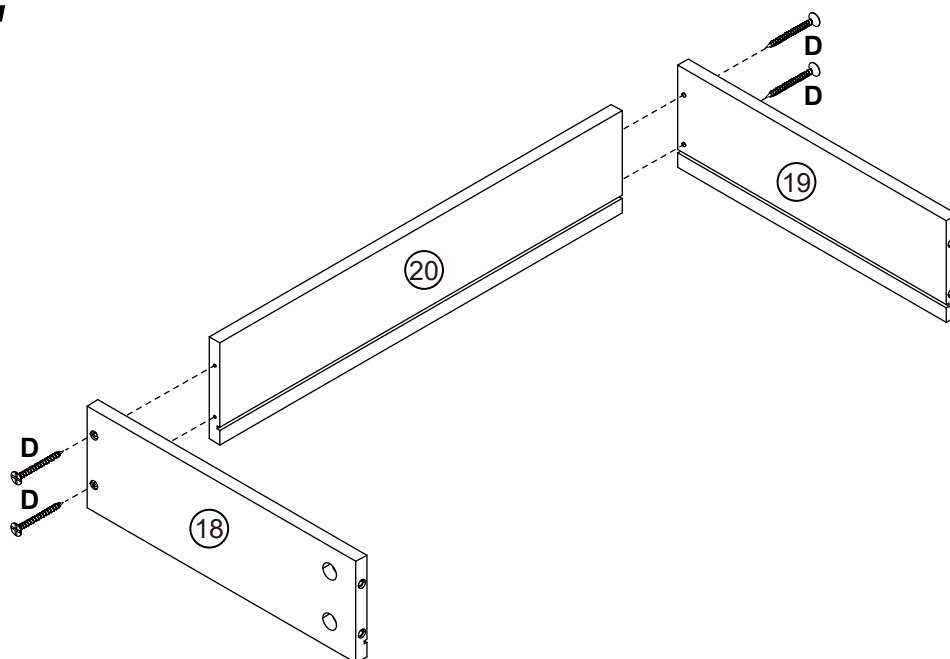


Step 18



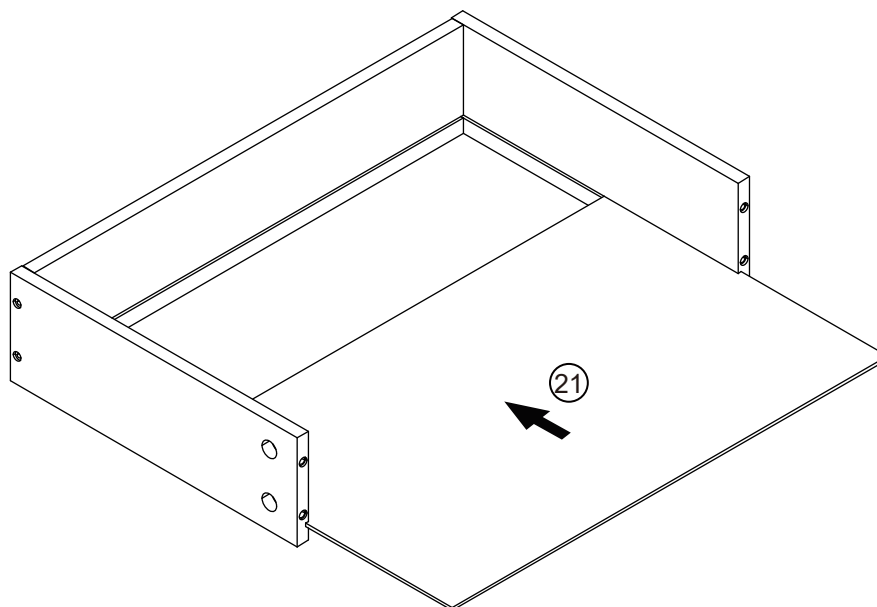
Step 19

x2

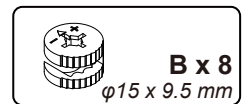
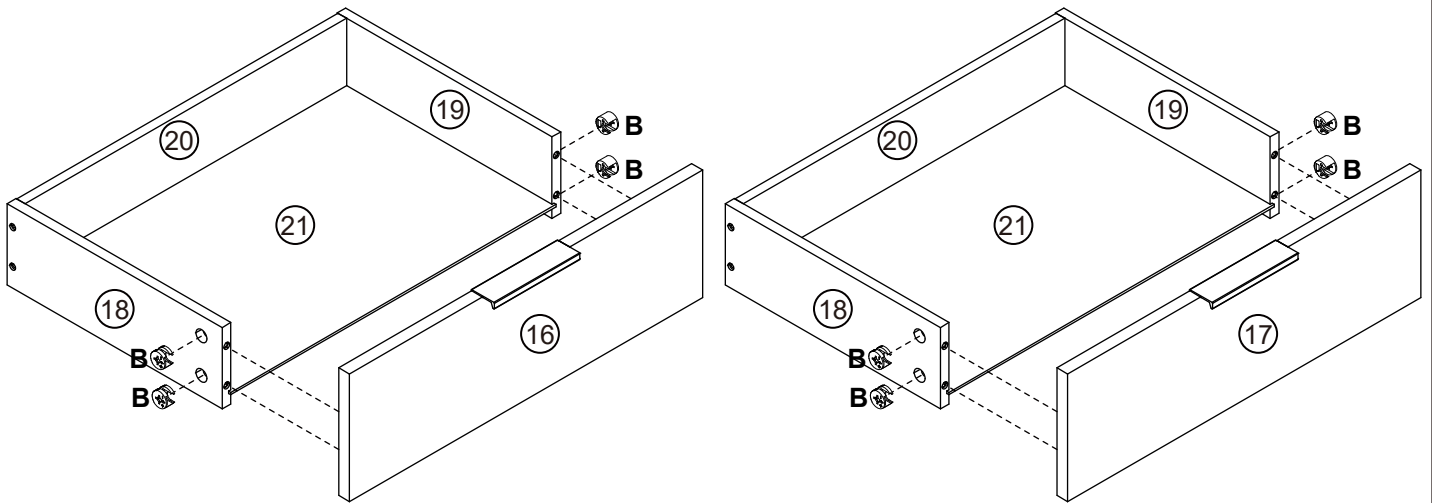


Step 20

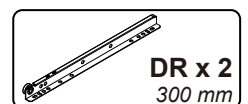
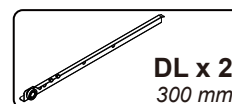
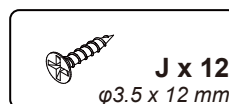
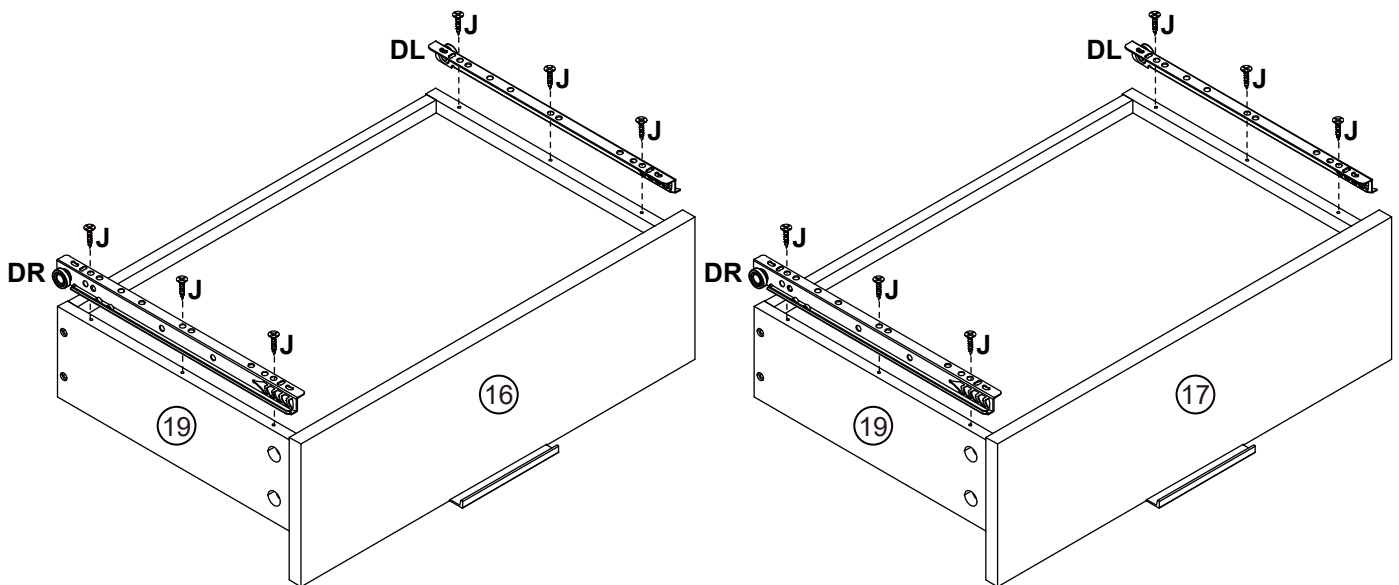
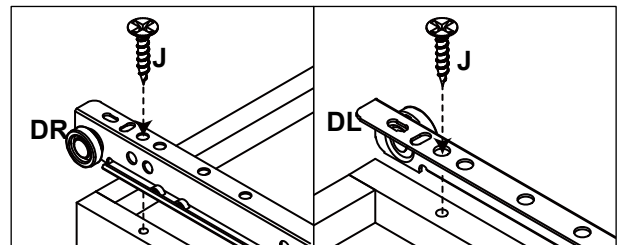
x2



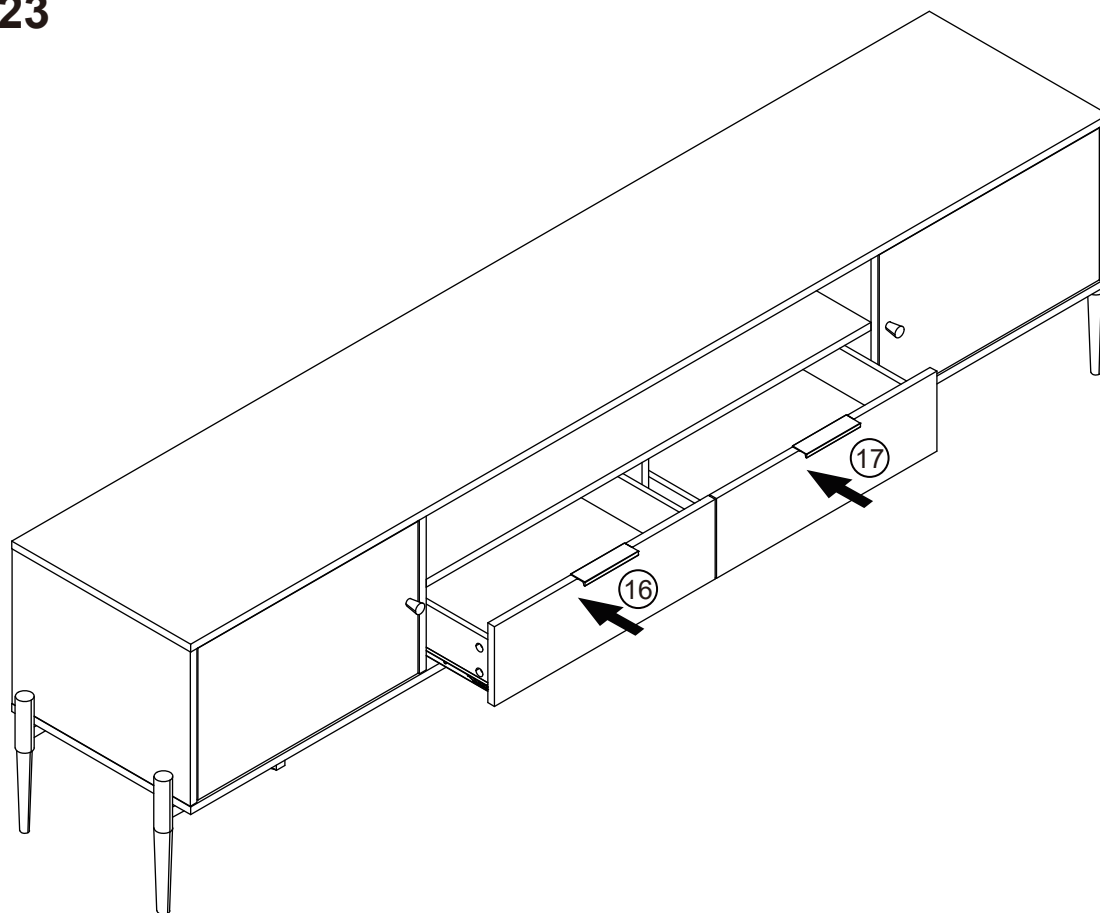
Step 21



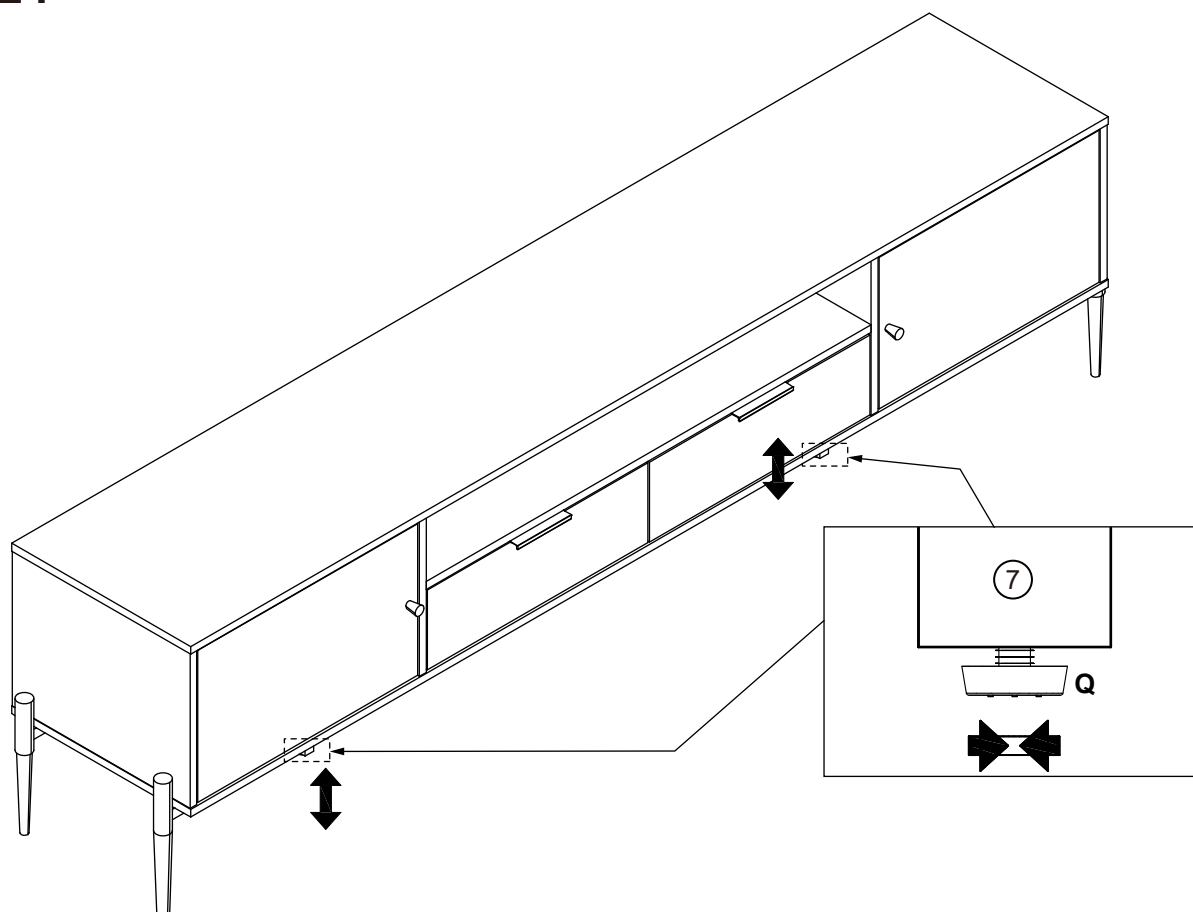
Step 22



Step 23



Step 24



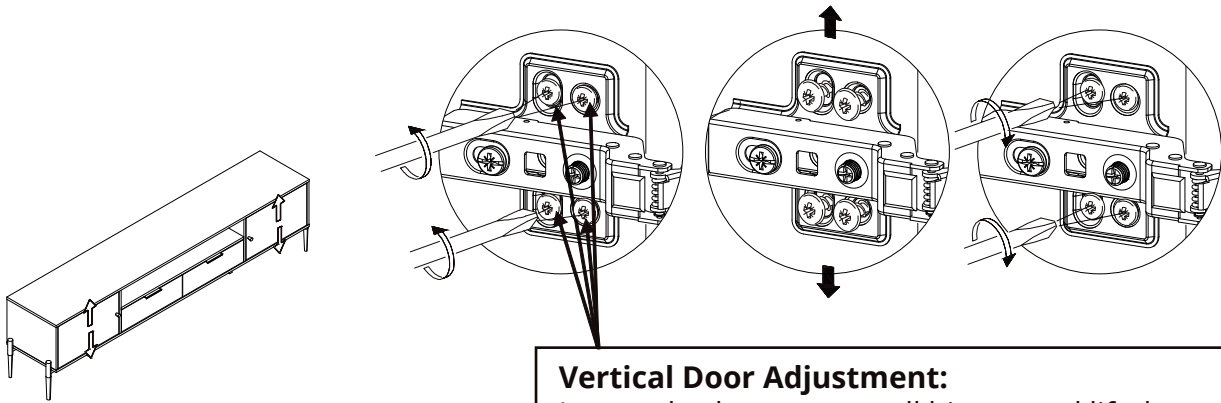
Step 25



Customer Attention:

To align doors and control gap in between doors. Product doors may need adjusting during and after assembly.

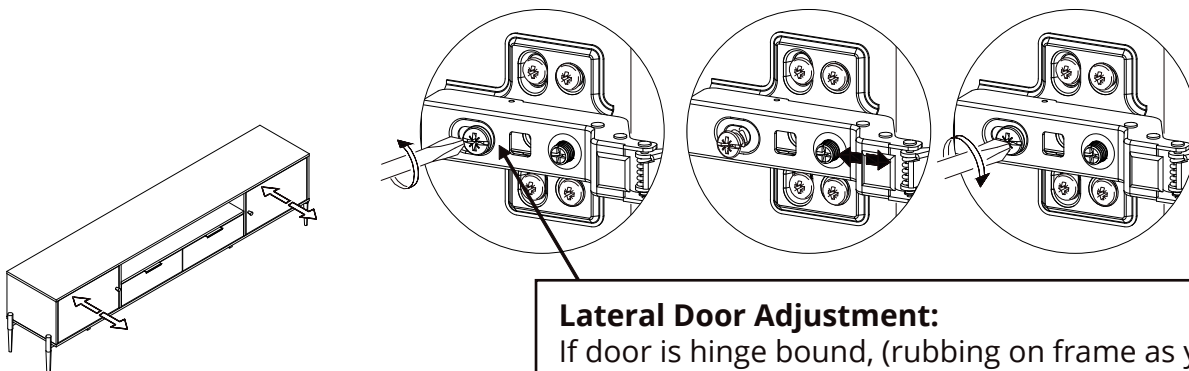
This can be done by adjusting appropriate screws. See below illustration.



Vertical Door Adjustment:

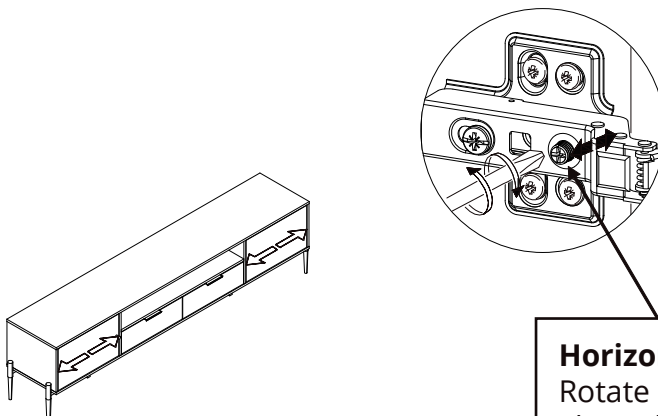
Loosen both screws on all hinges and lift the door to the desired height.

This allows an even space at the top and bottom between the door and frame.



Lateral Door Adjustment:

If door is hinge bound, (rubbing on frame as you close or open door) loosening screw shown and move the door in appropriate direction. (In or out)



Horizontal Door Adjustment:

Rotate Screw clockwise or anticlockwise. This will produce an even gap between doors and frame.