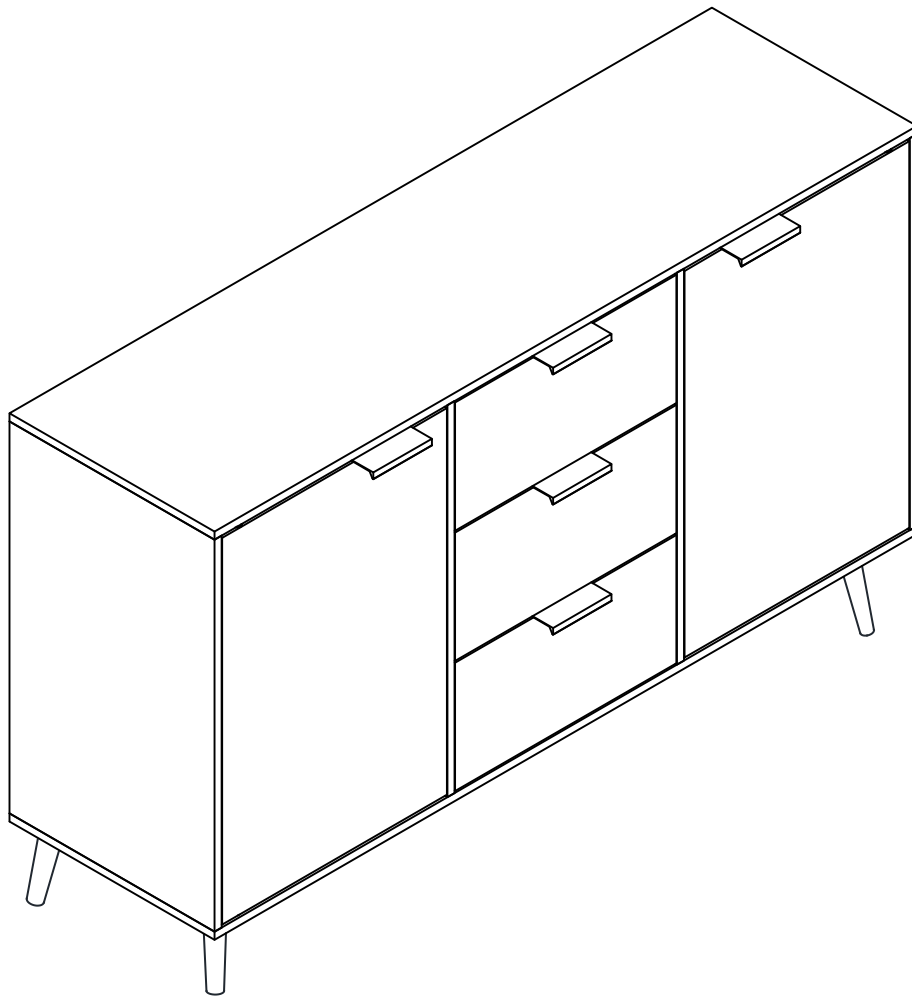
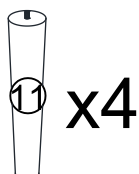
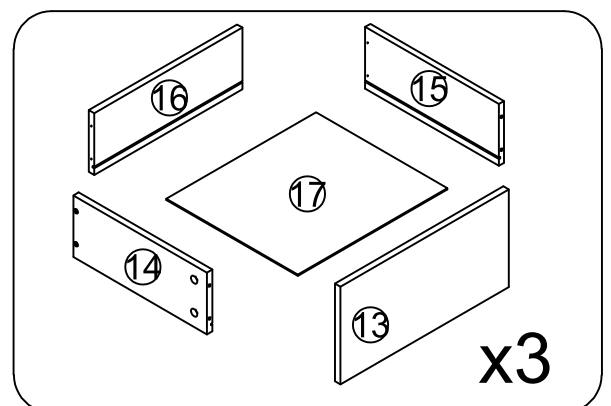
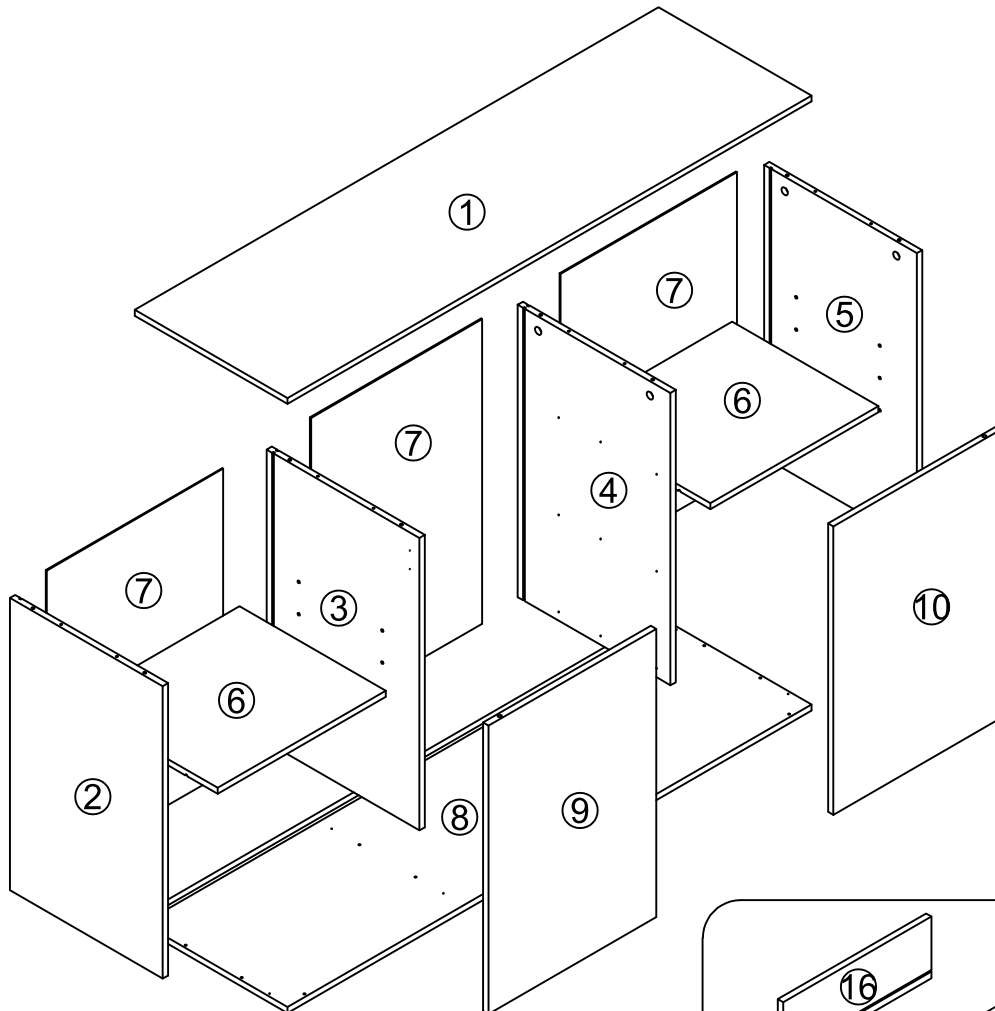


# ASSEMBLY INSTRUCTIONS

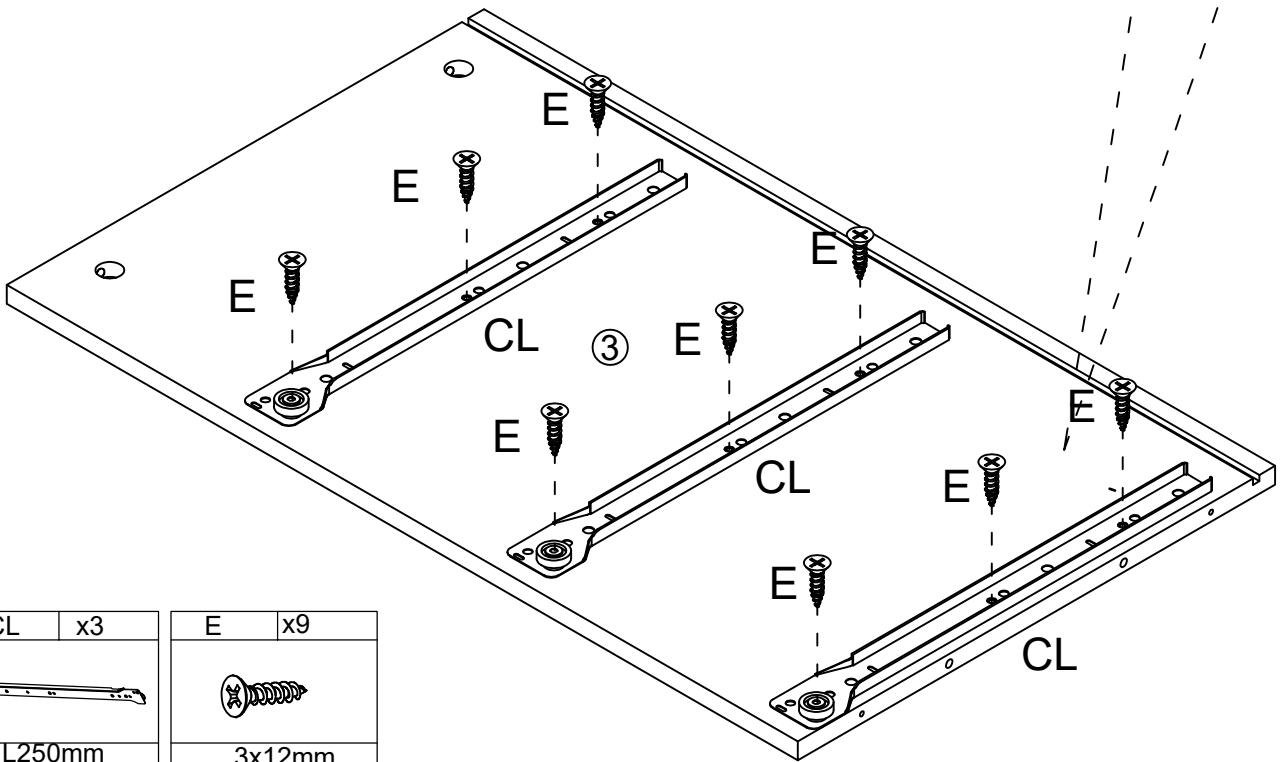
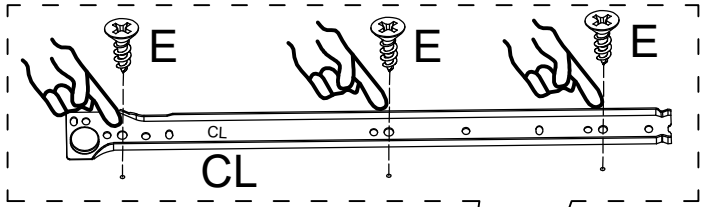
<<Before assembling, read all the instruction>>





A	x20(+2)	B	x20(+2)	C	x16(+1)	D	x22(+3)	E	x50(+4)	F	x4
6x35mm		15x10mm		6x30mm		4x35mm		3x12mm		3x14mm	
G	x2	H	x12	I	x20(+2)	J	x8	K	x4	L	x2
				4x12mm							
M	x2	N	x2	O	x2	P	x5	Q	x4	R	x4
4x14mm				6x30mm							
S	x1	CL	x3	CR	x3	DL	x3	DR	x3		
		L300mm		L300mm		L300mm		L300mm			

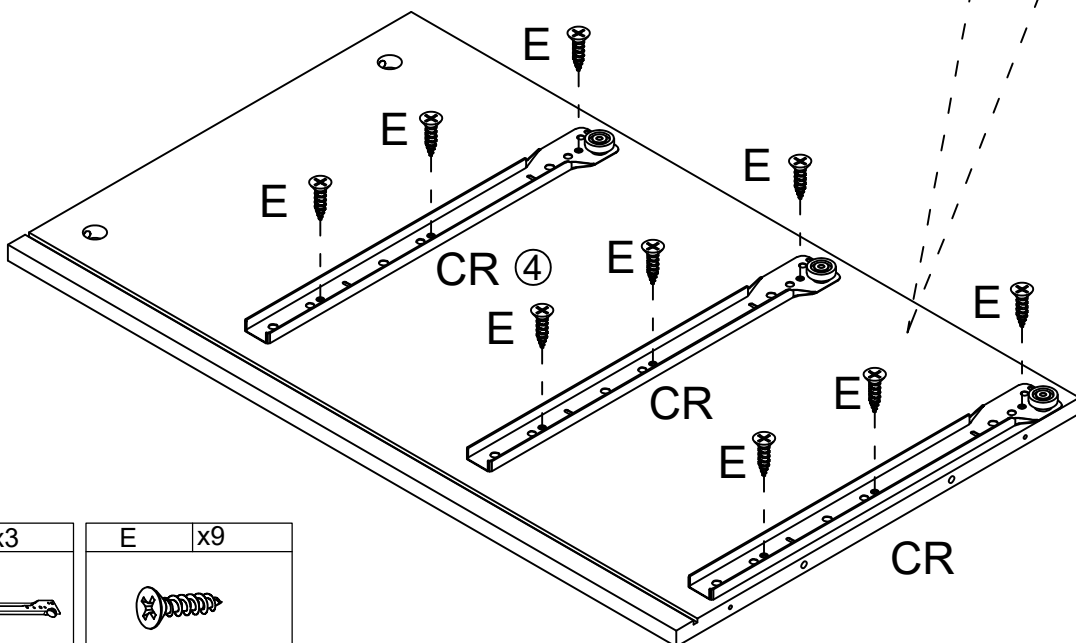
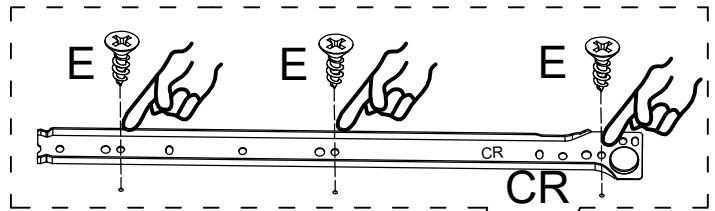




1



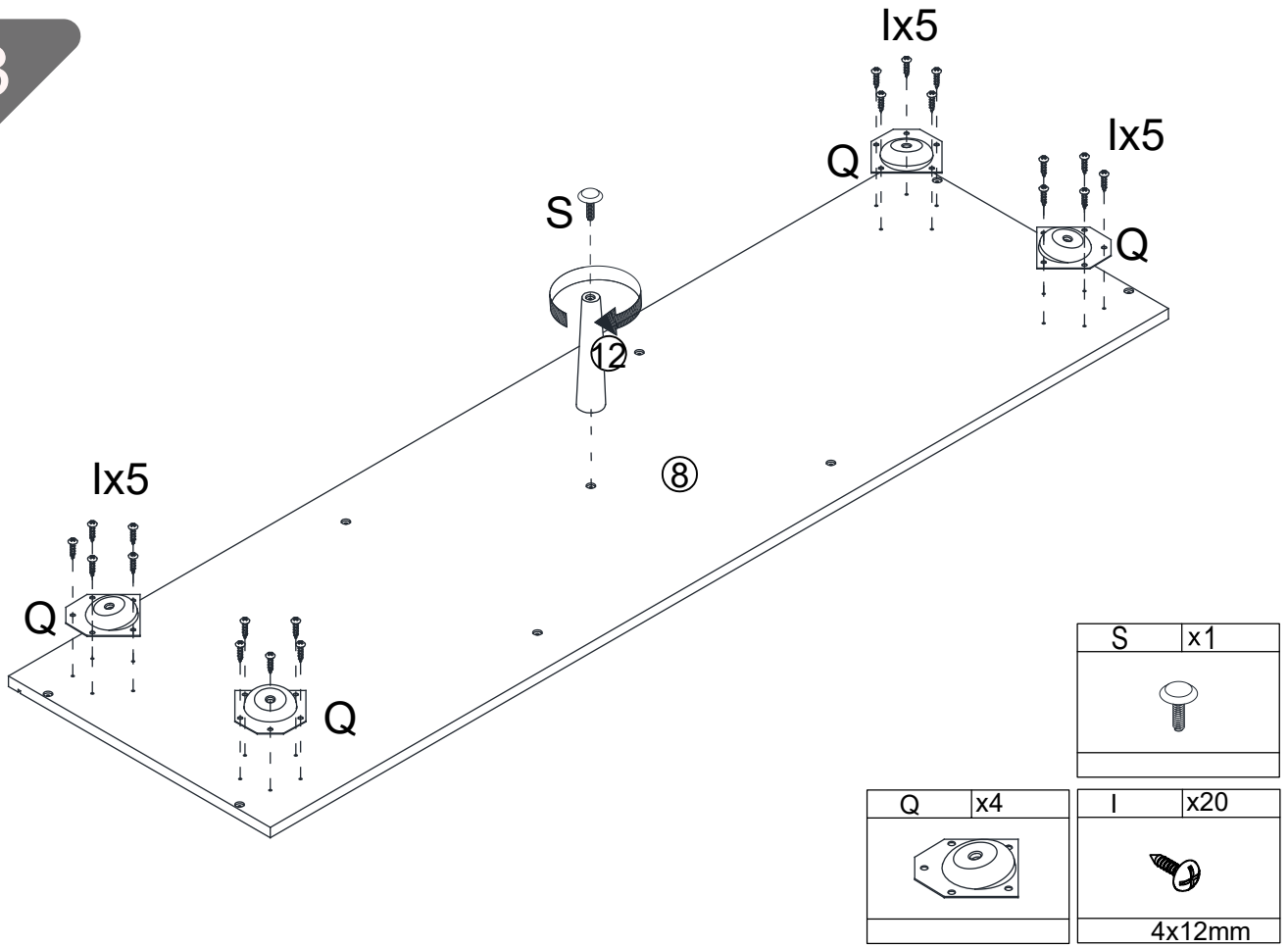
CL	x3	E	x9
			
L250mm		3x12mm	

2

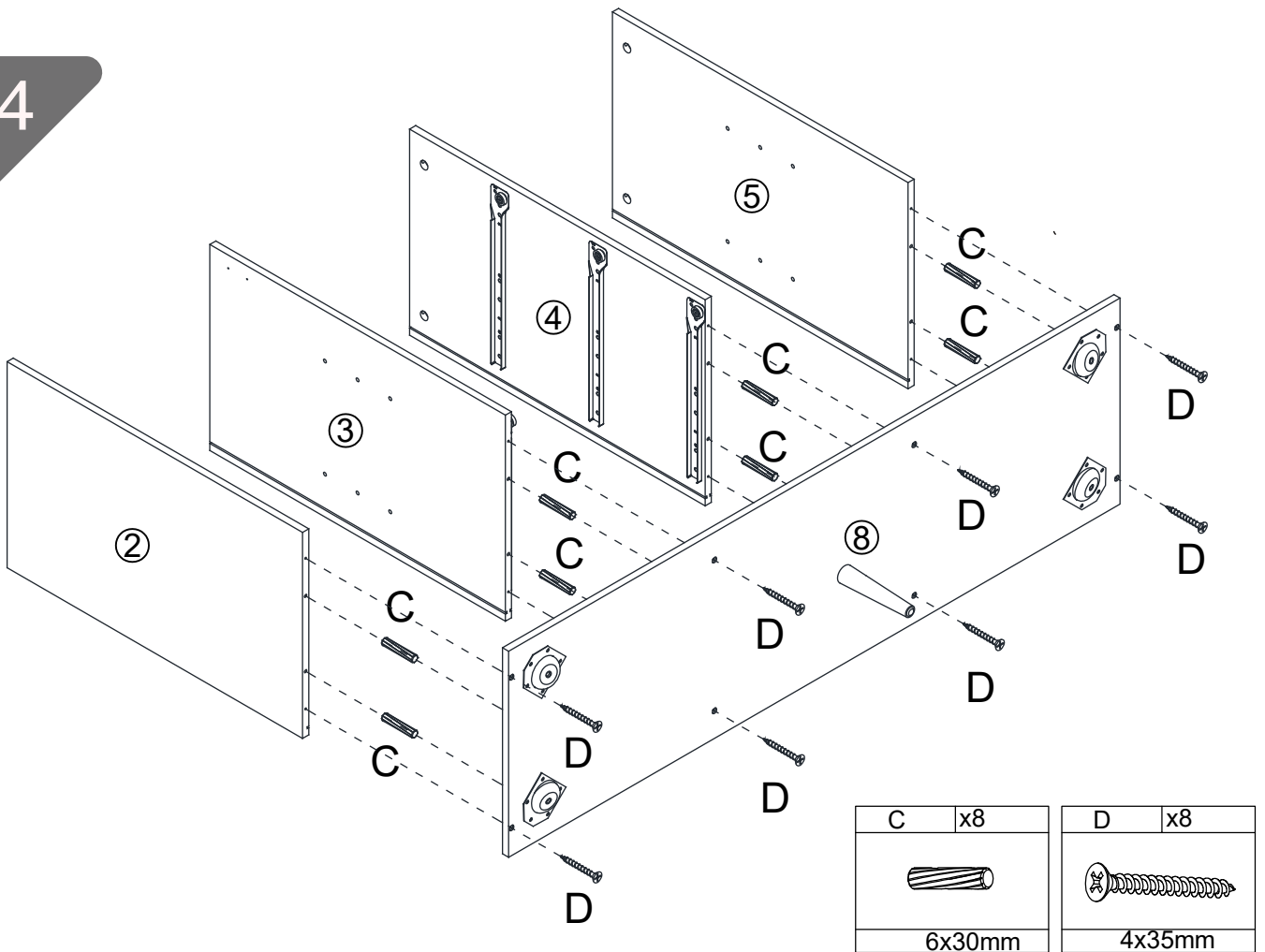


CR	x3	E	x9
			
L250mm		3x12mm	

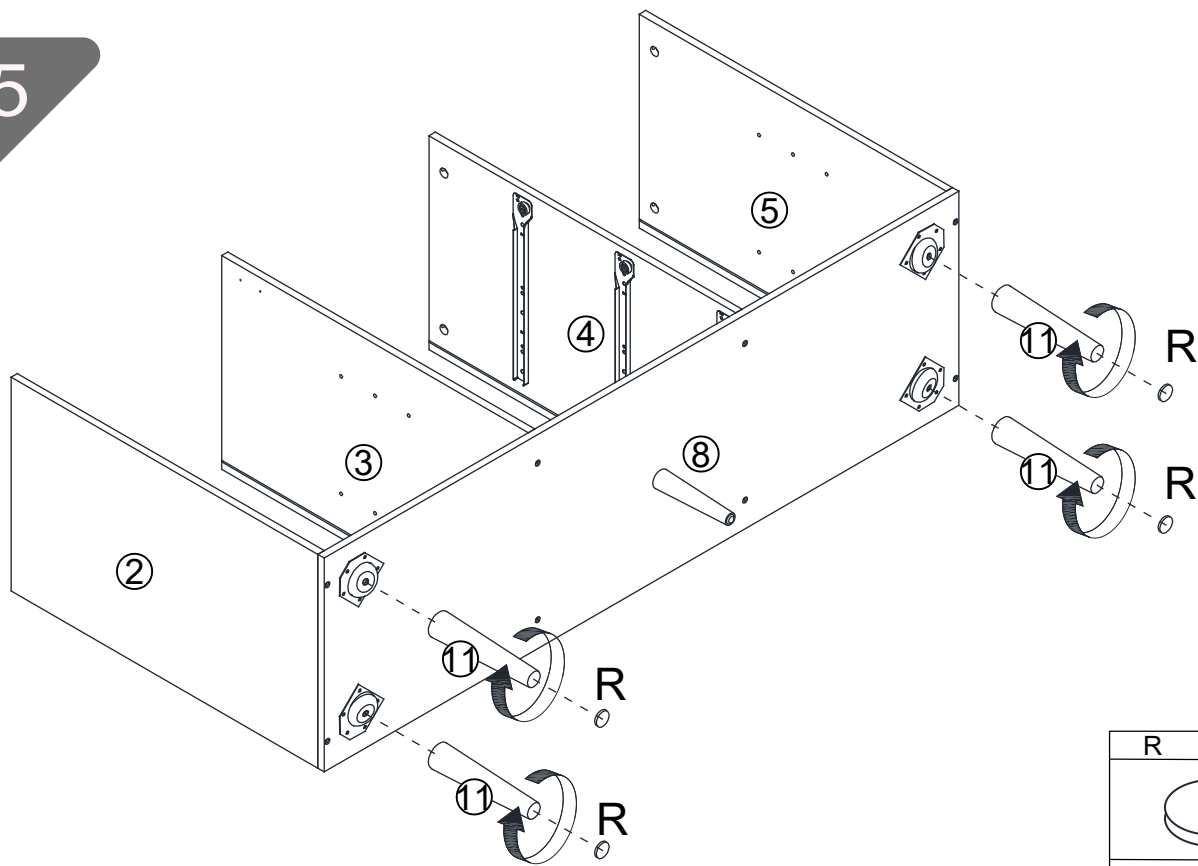
3



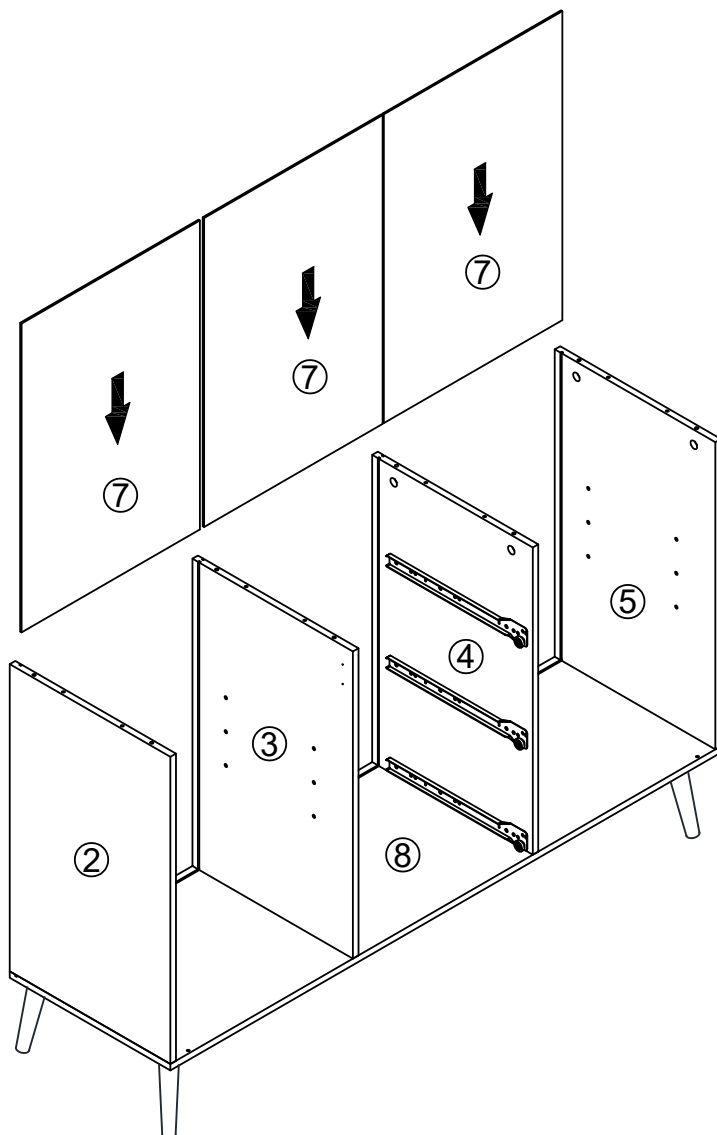
4



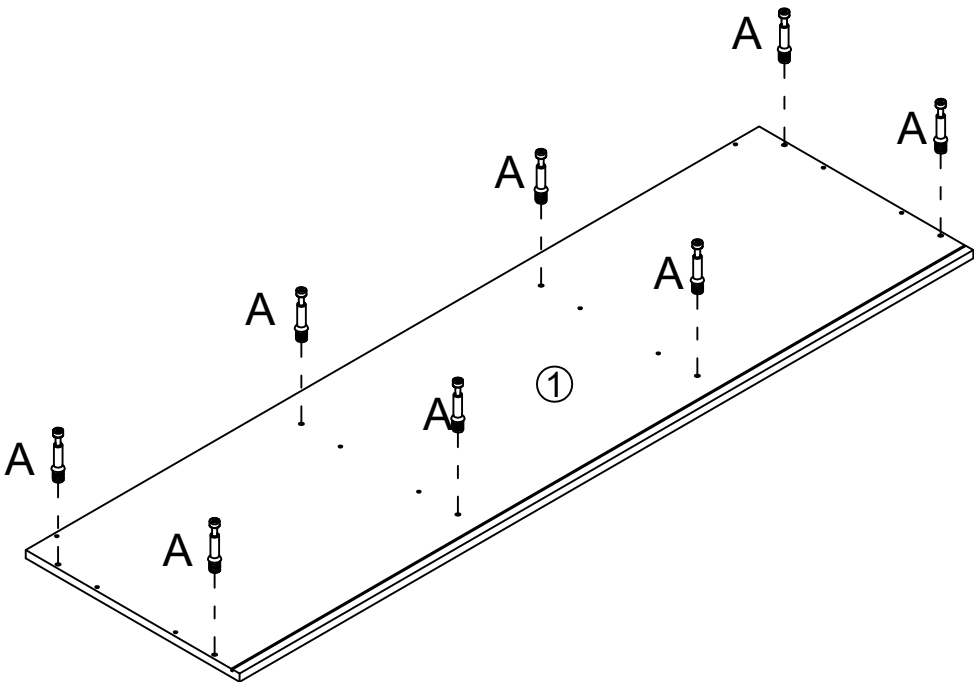
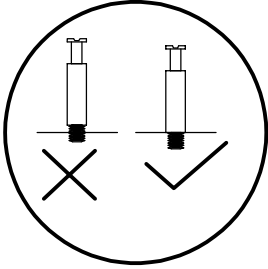
5

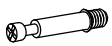


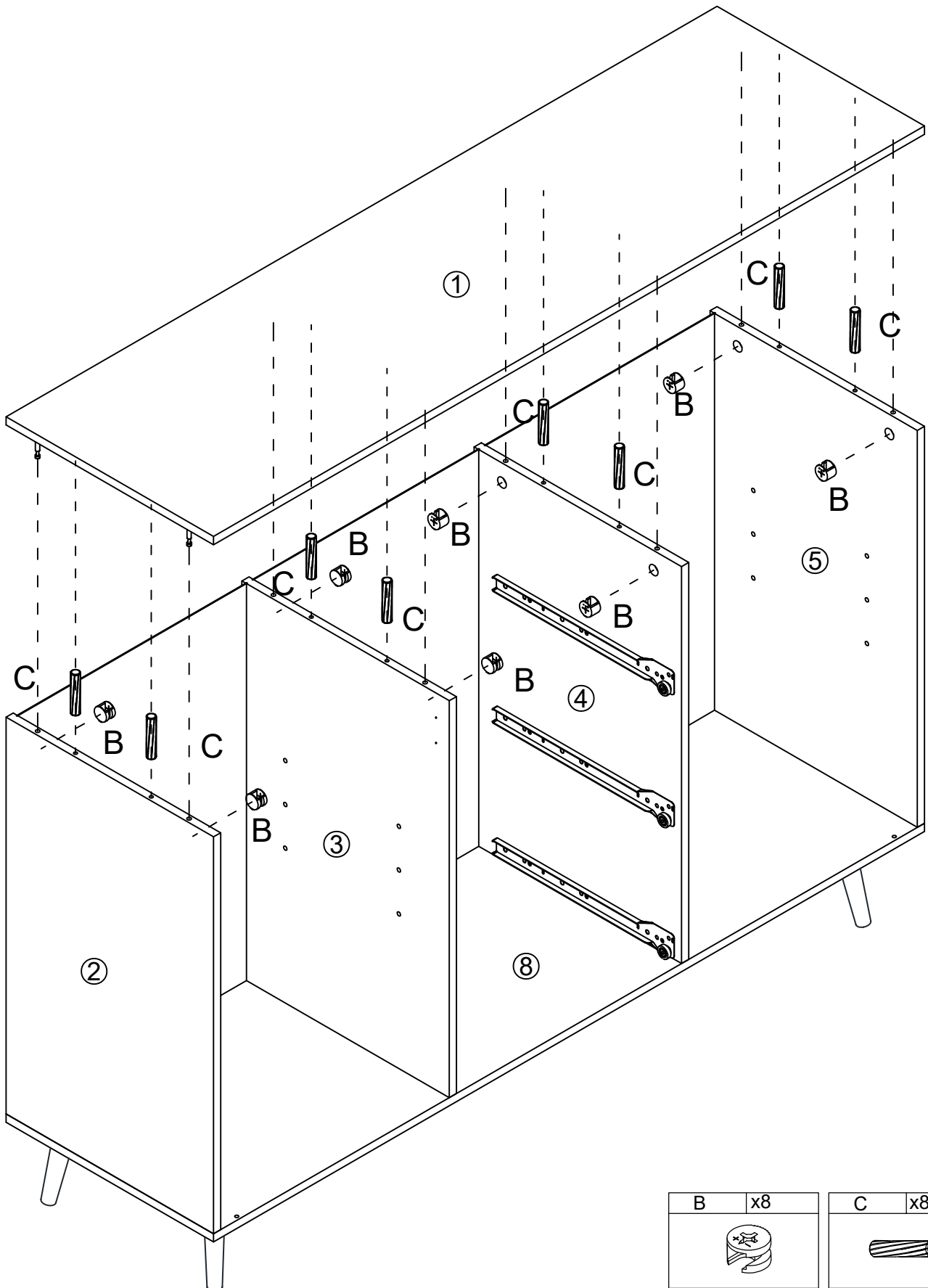
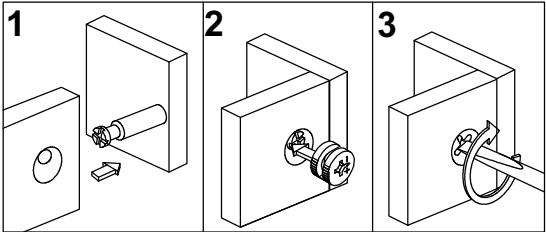
6





7



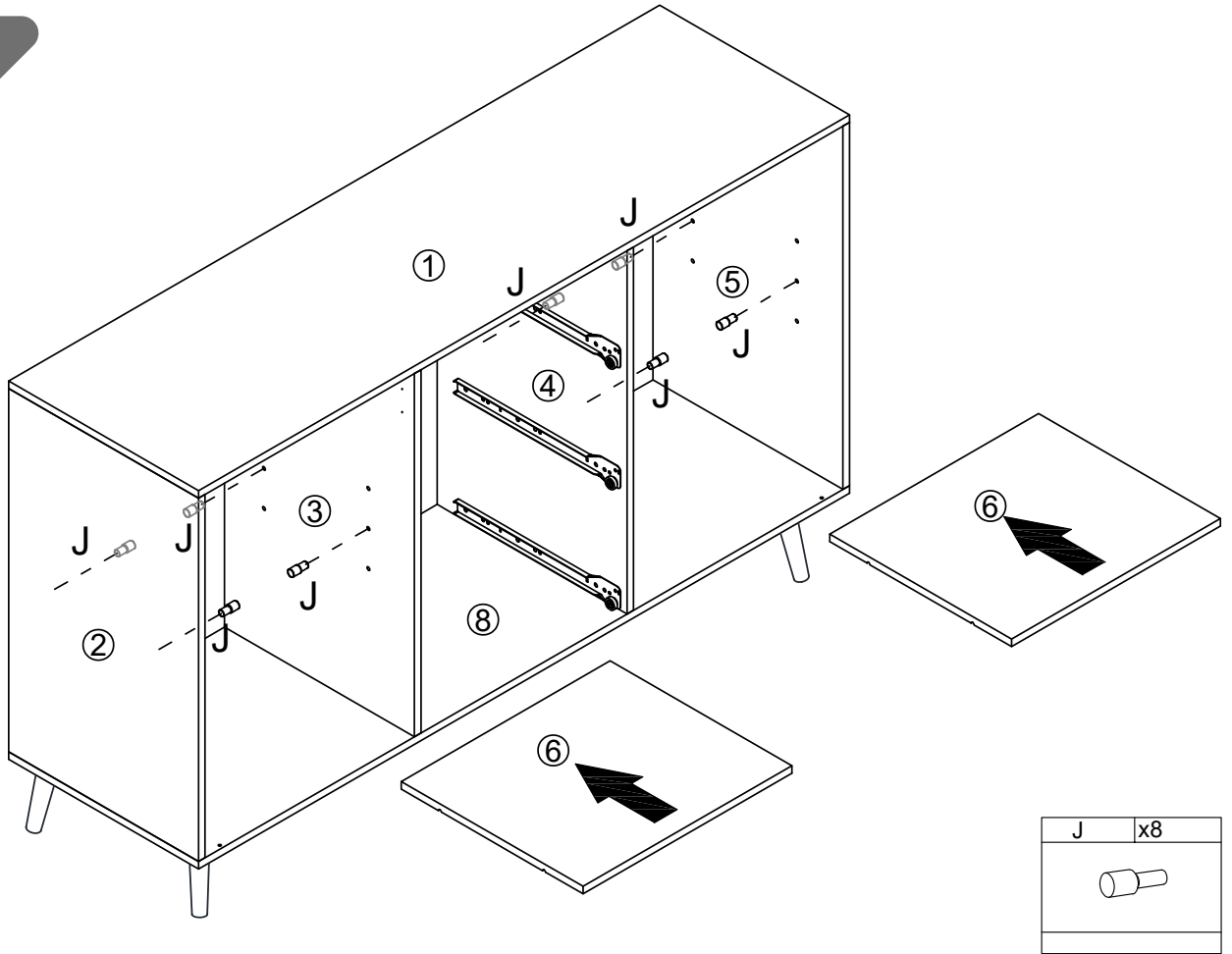
A	x8
	
6x35mm	



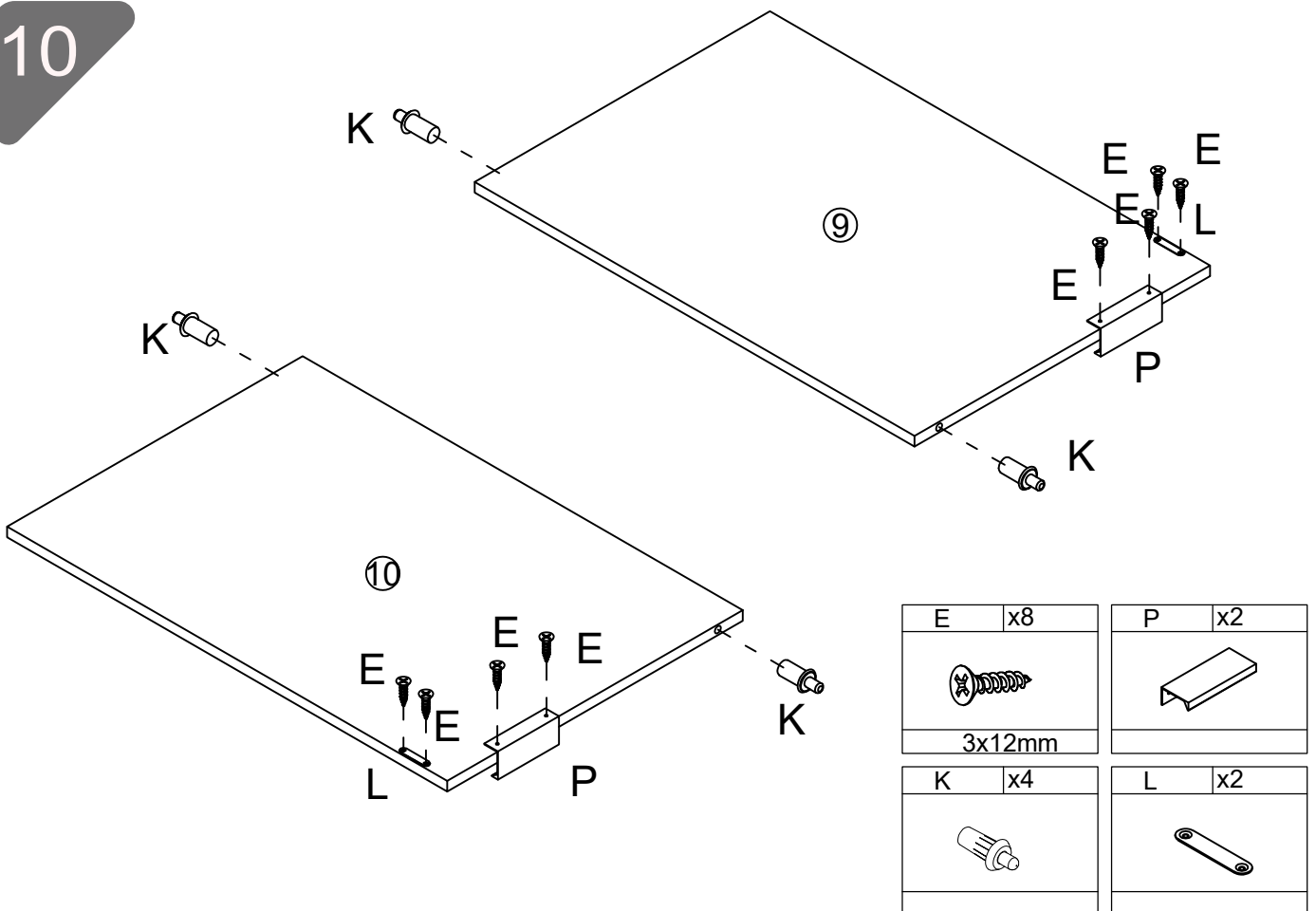
B	x8
	
15x10mm	

C	x8
	
6x30mm	

9

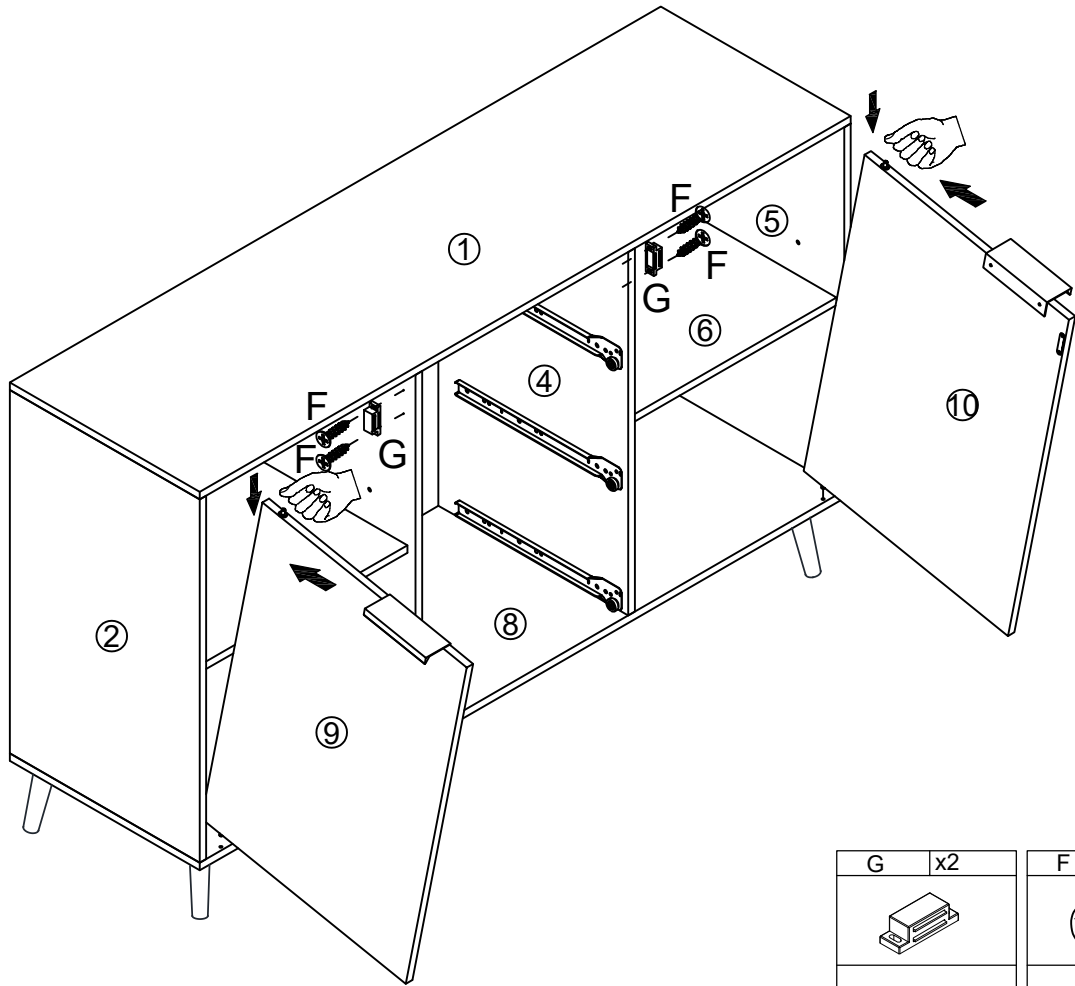


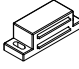

10



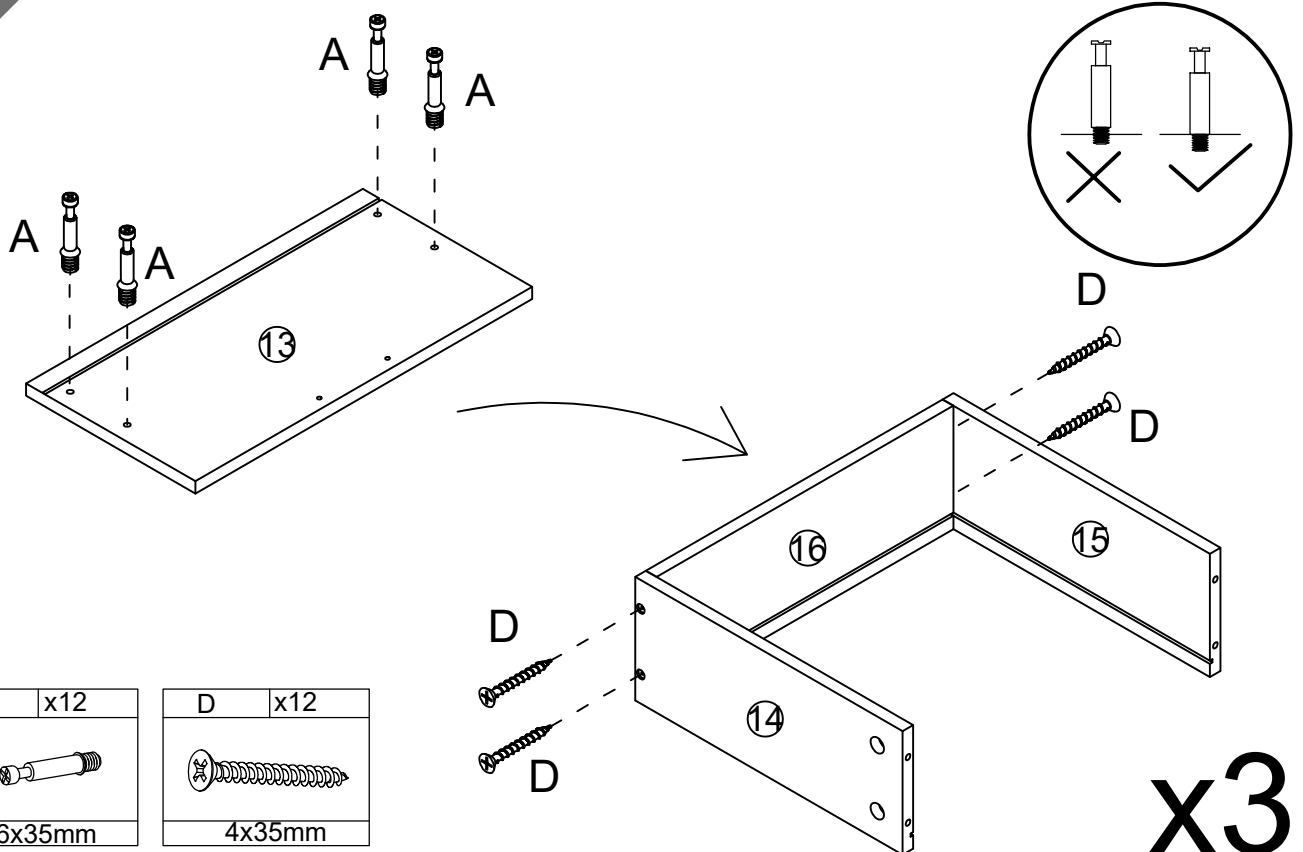


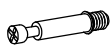

11



G	x2	F	x4
			
		3x14mm	

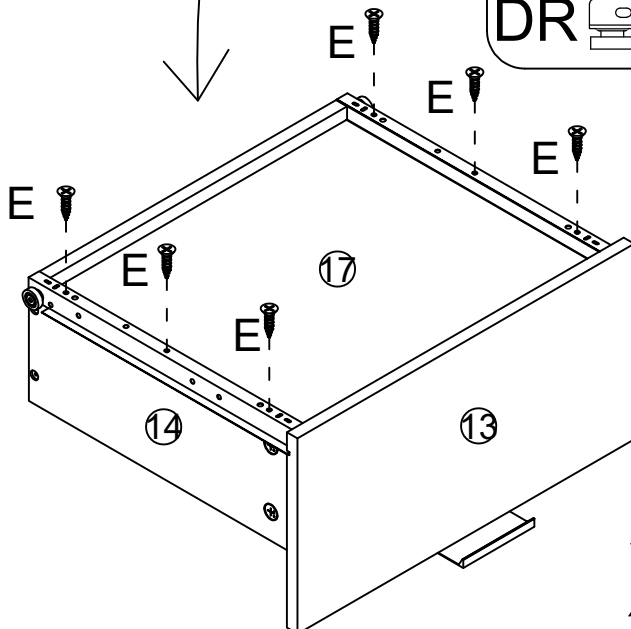
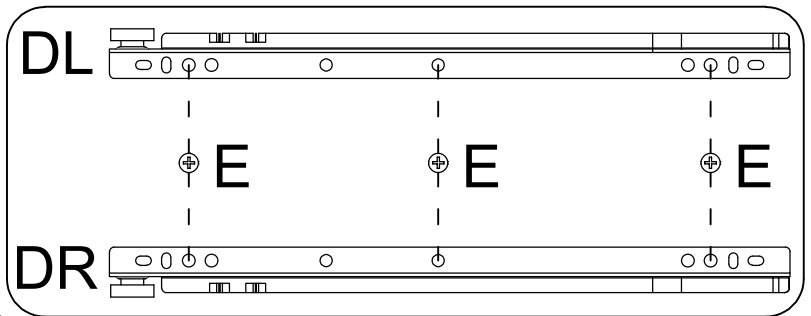
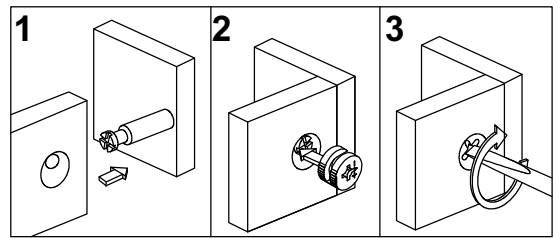
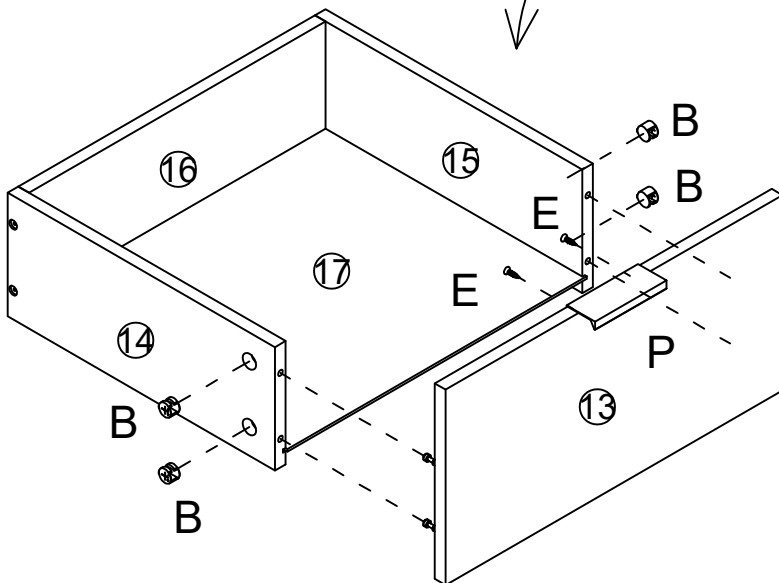
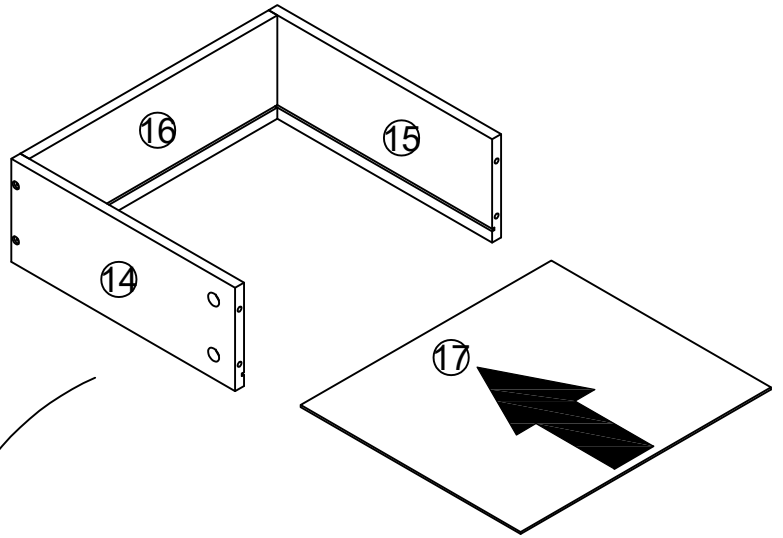
12



A	x12	D	x12
			
6x35mm		4x35mm	

x3

13



x3

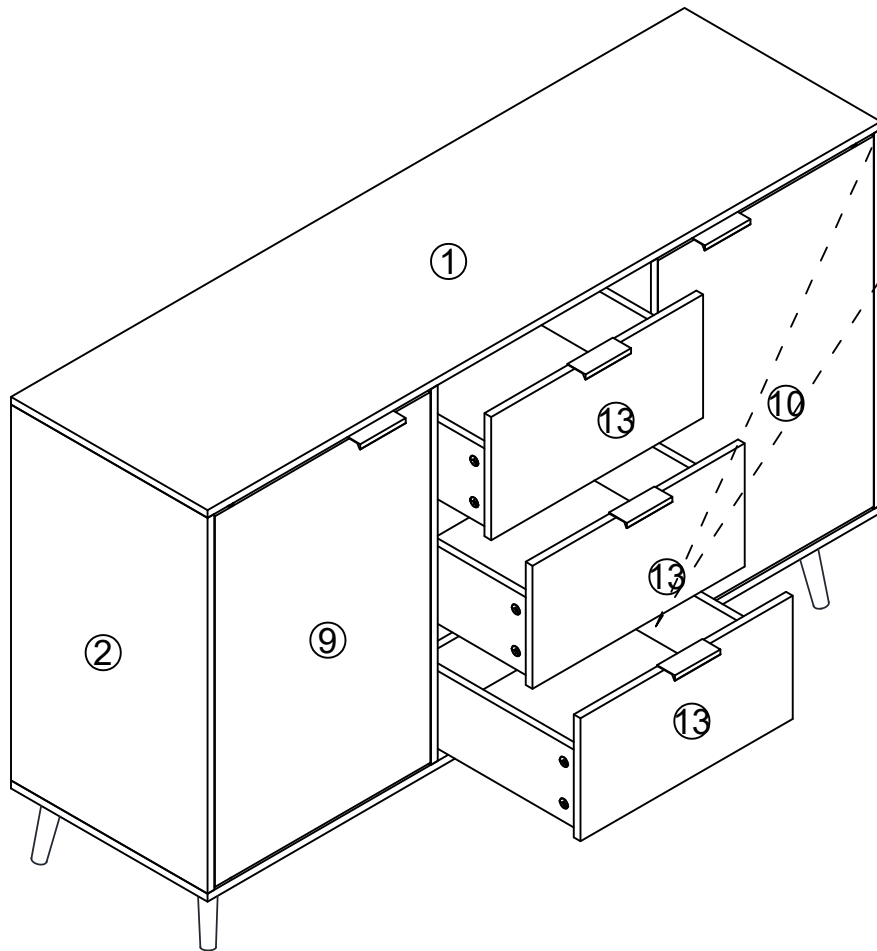
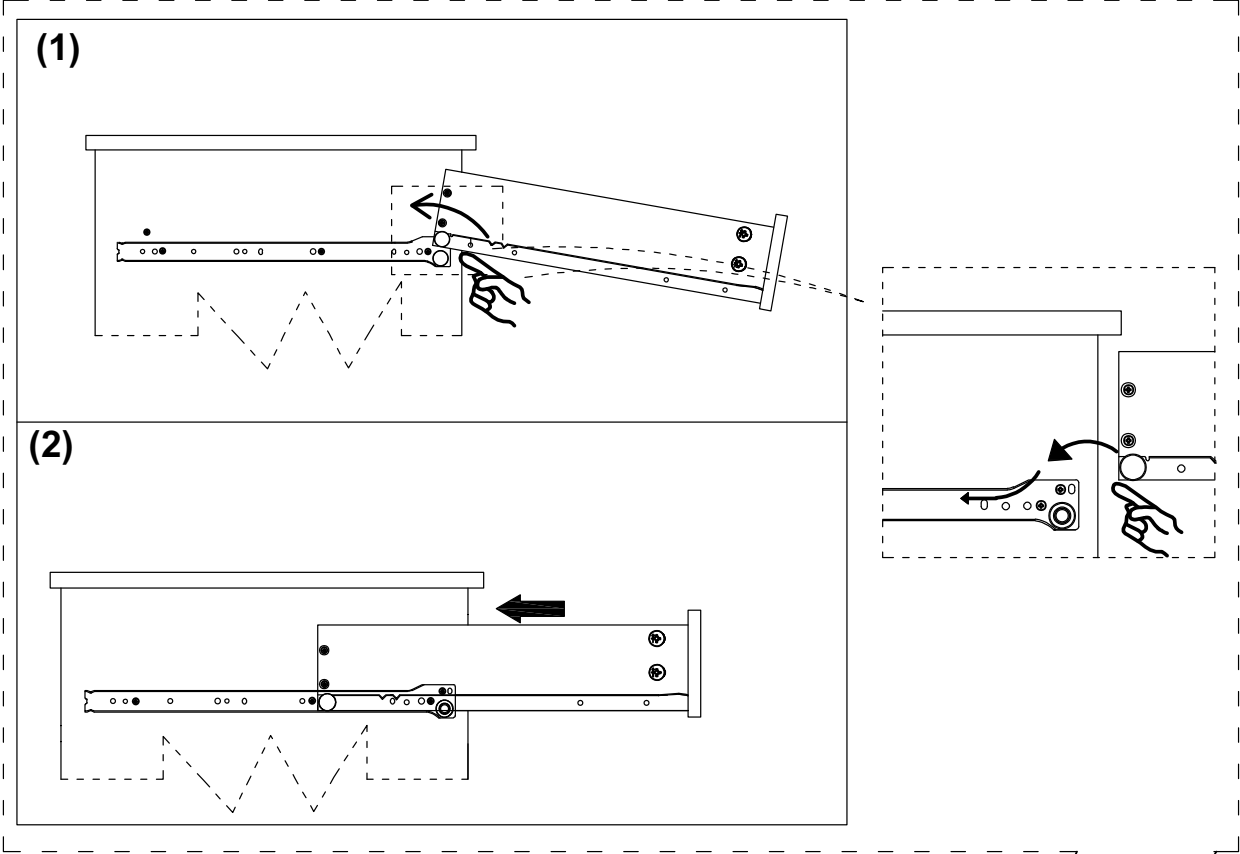
P	x3

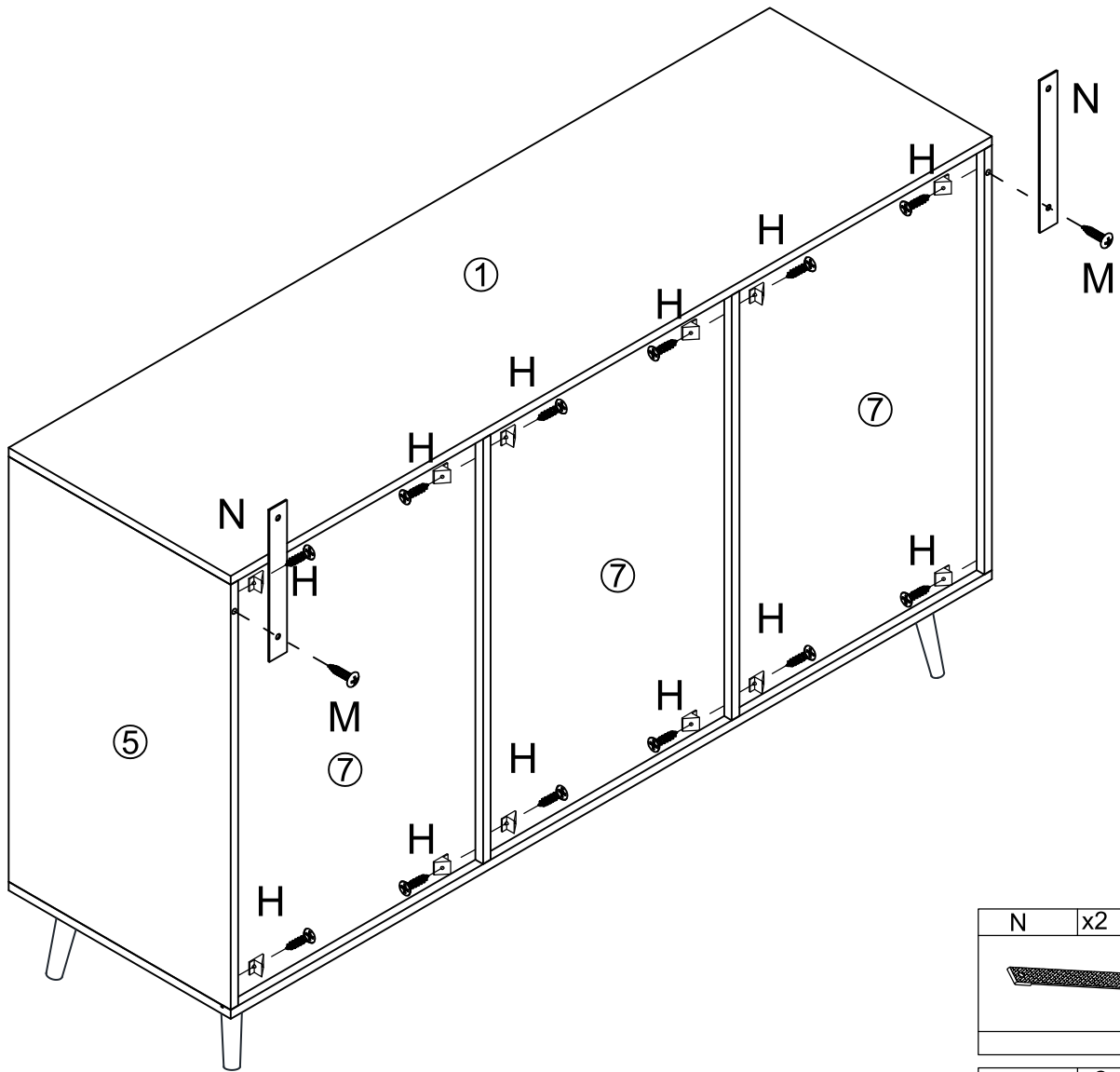
B	x12
15x10mm	





E	x24
3x12mm	

DL	x3
L300mm	

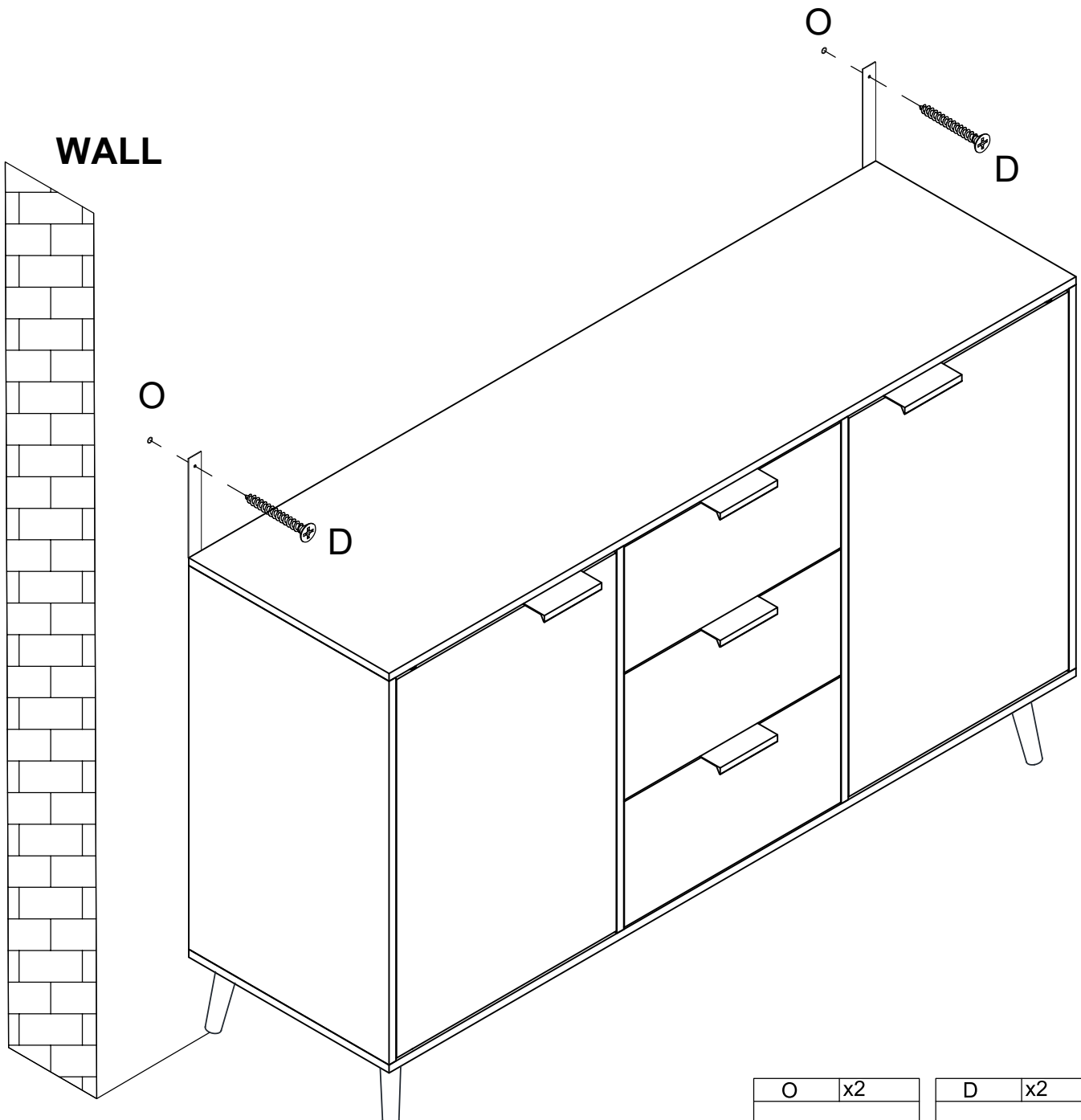
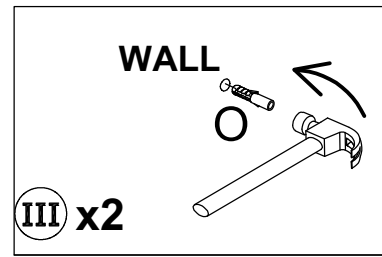
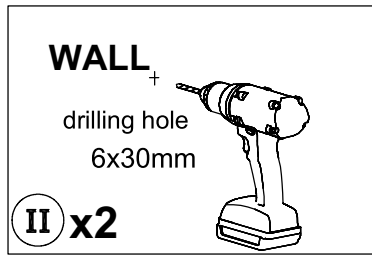
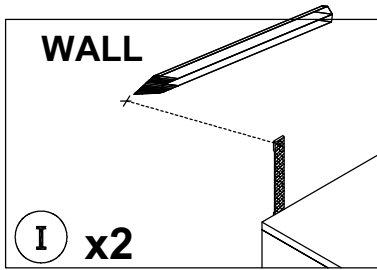
DR	x3
L300mm	

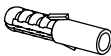





N	x2
	
M	x2
	
4x14mm	
H	x12
	
	

16



O	x2
	
6x30mm	

D	x2
	
4x35mm	