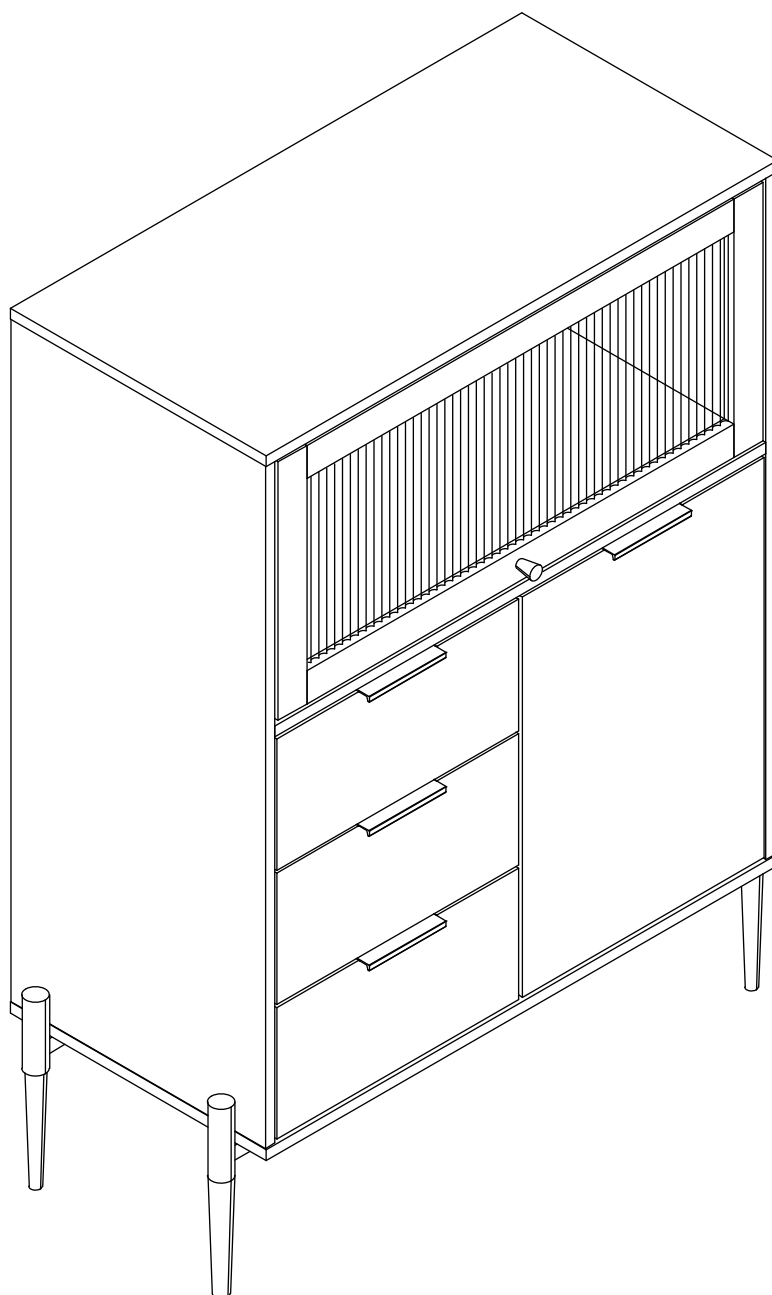
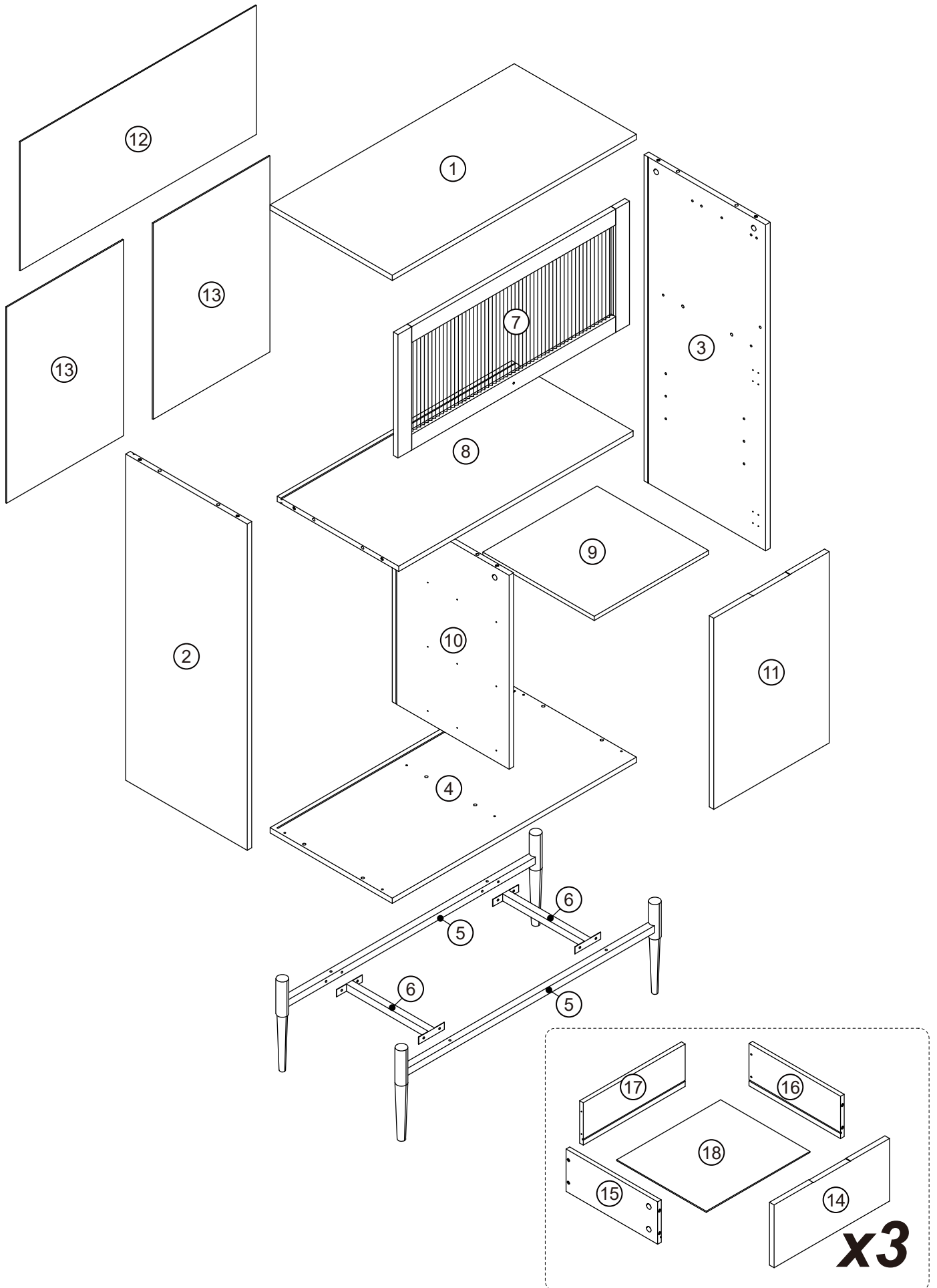


ASSEMBLY INSTRUCTIONS

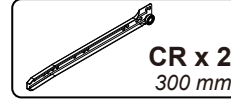
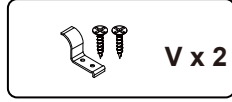
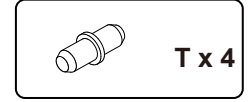
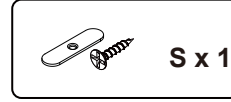
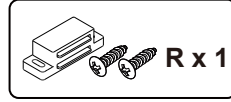
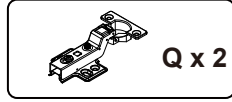
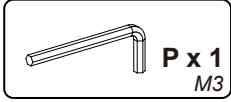
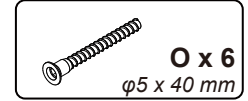
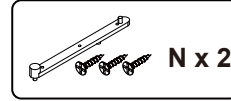
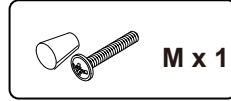
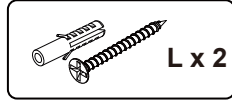
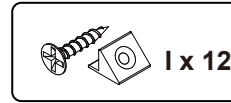
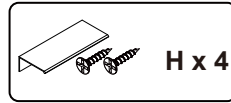
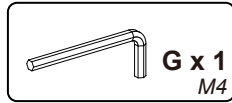
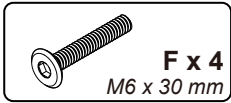
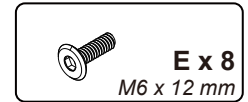
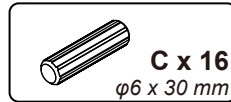
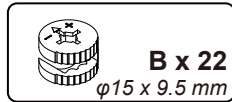
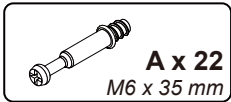
<<Before assembling, read all instructions>>



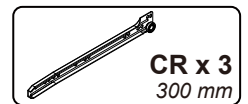
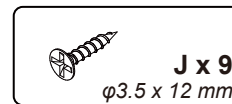
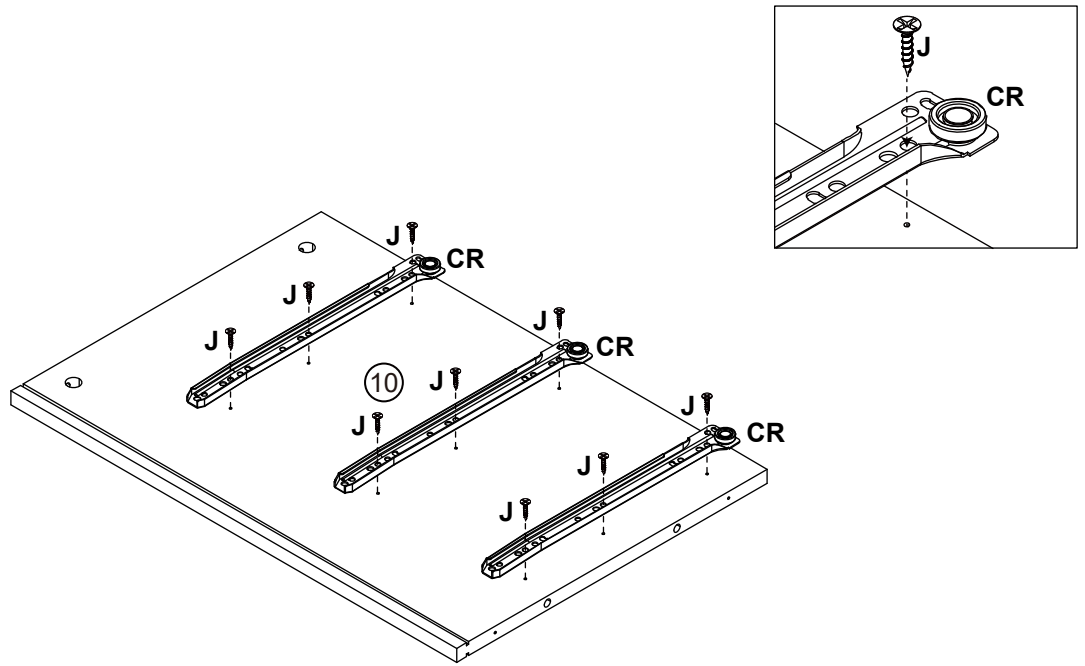
Exploded View



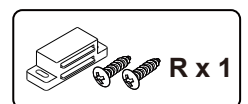
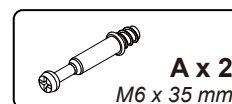
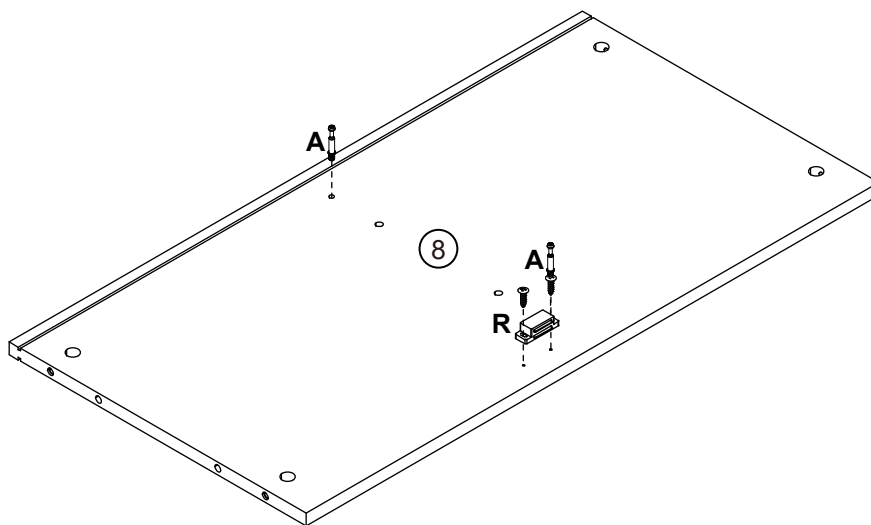
Fittings



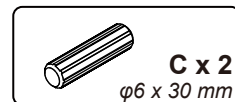
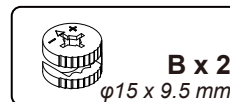
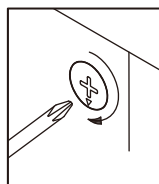
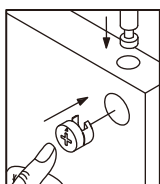
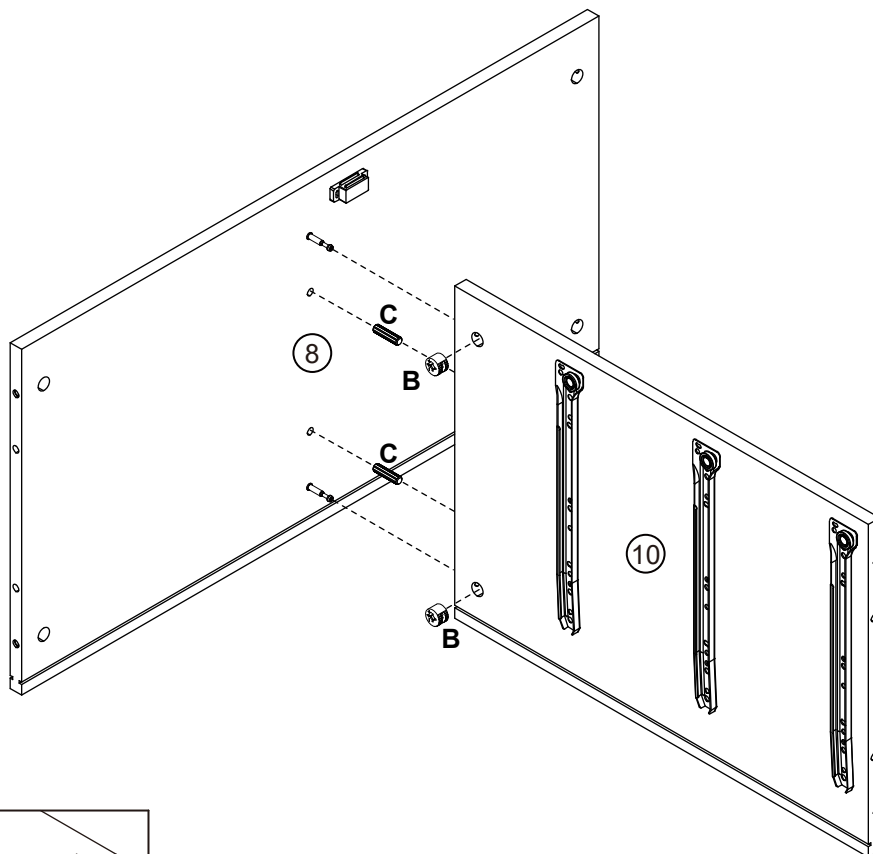
Step 1



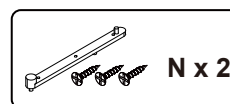
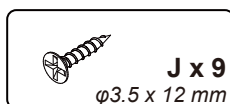
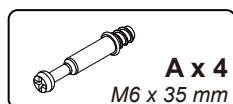
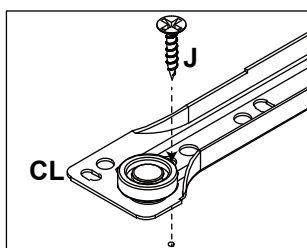
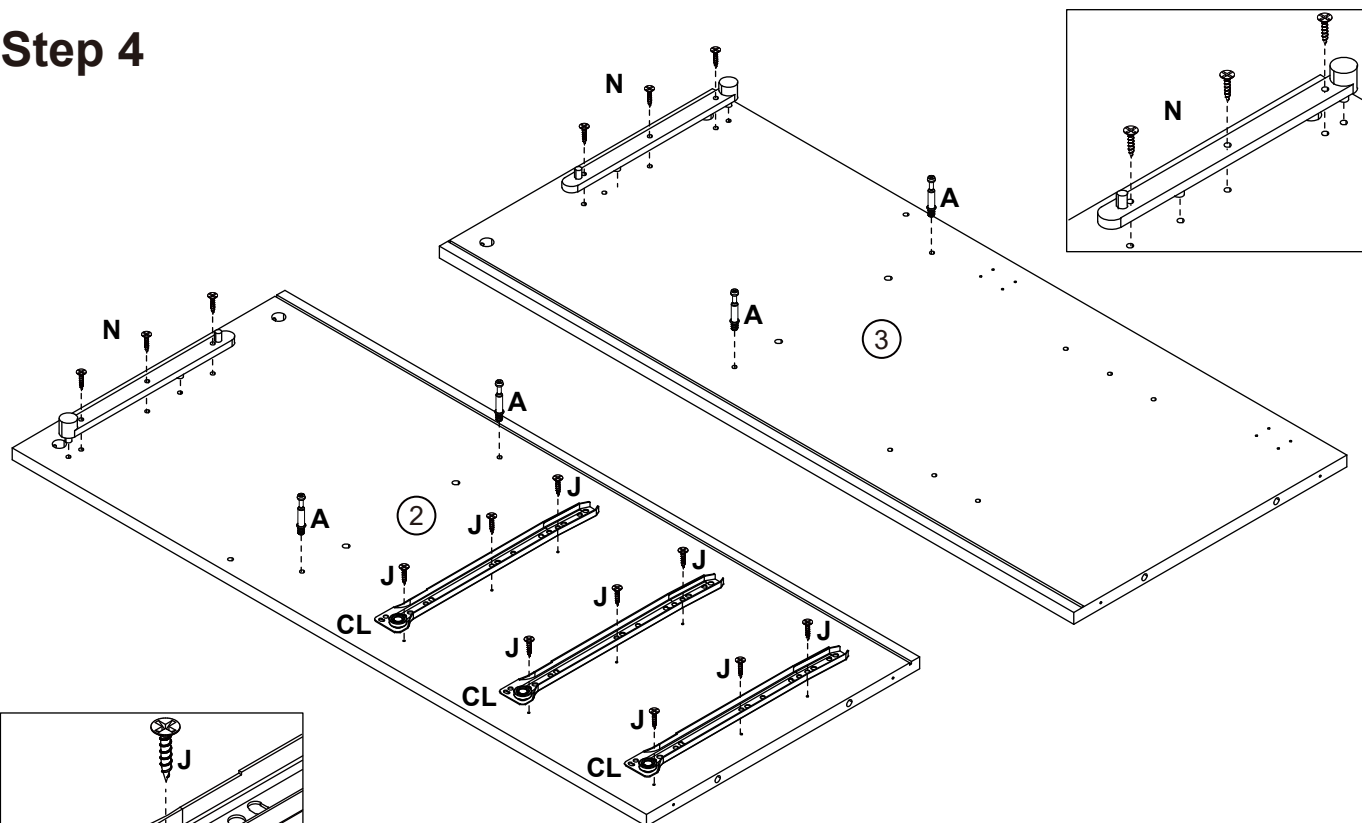
Step 2



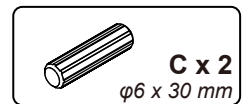
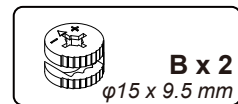
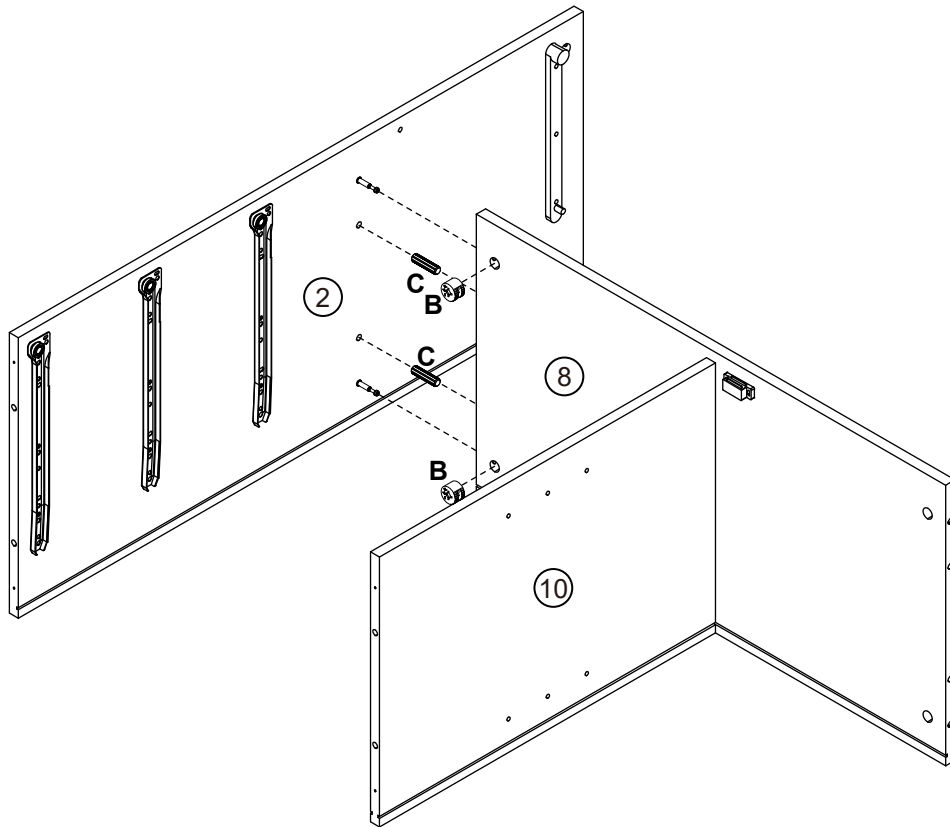
Step 3



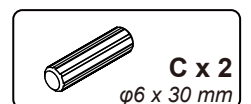
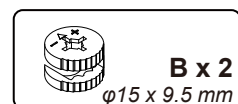
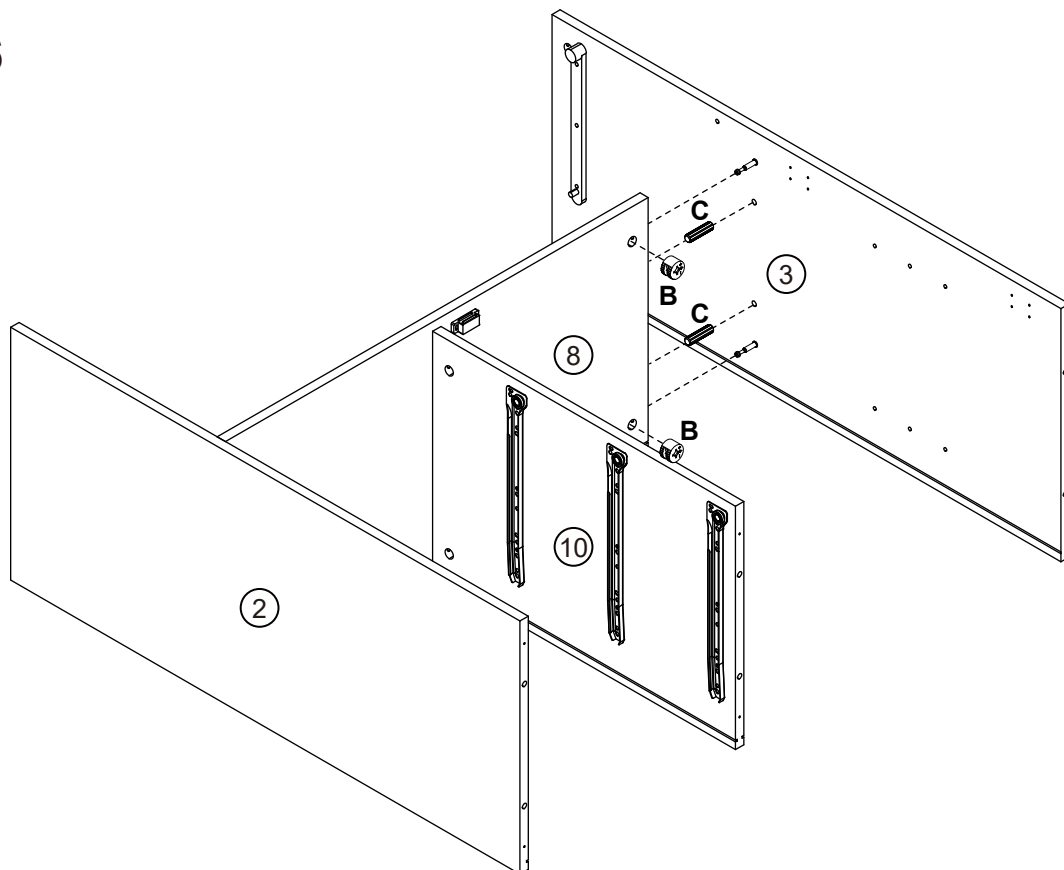
Step 4



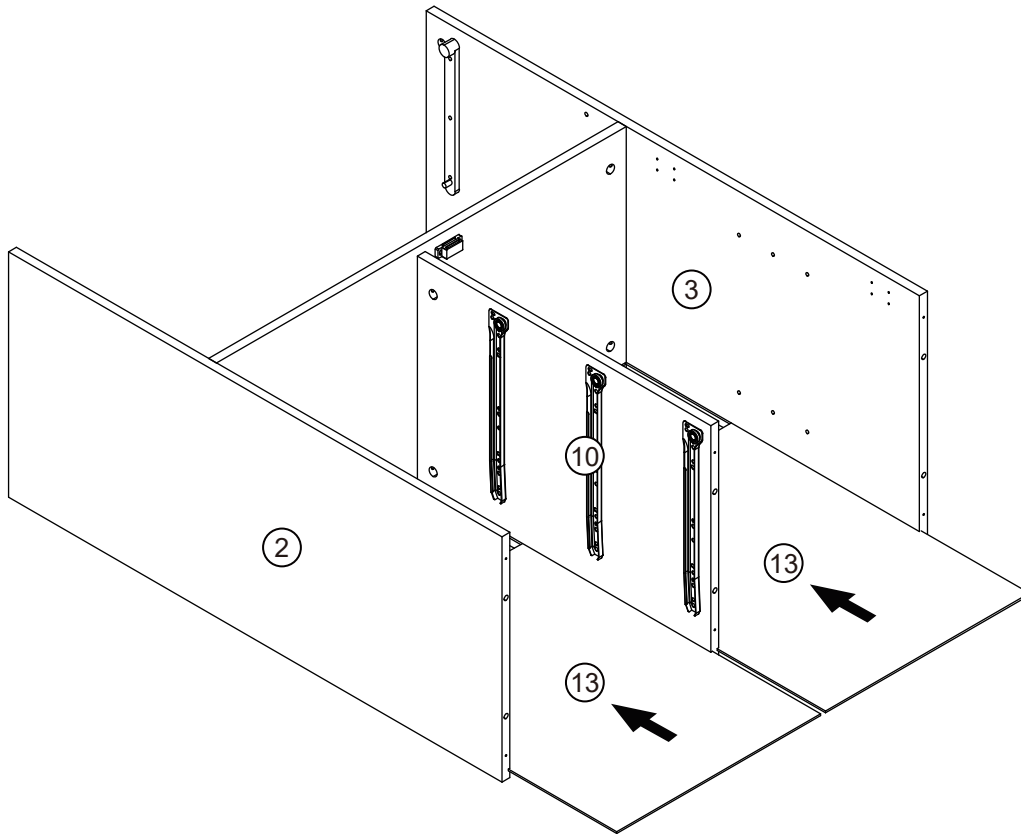
Step 5



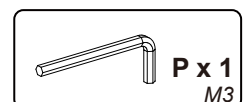
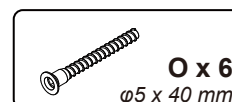
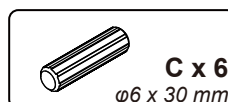
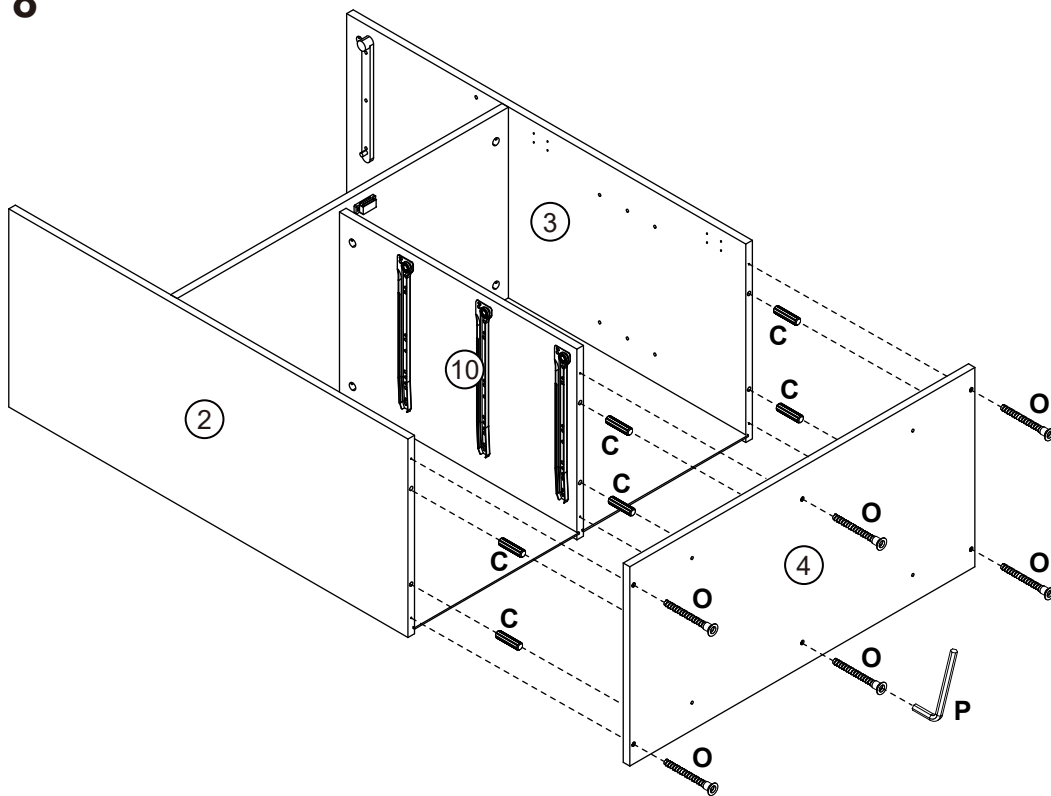
Step 6



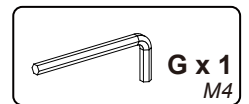
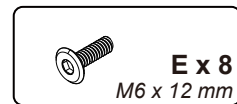
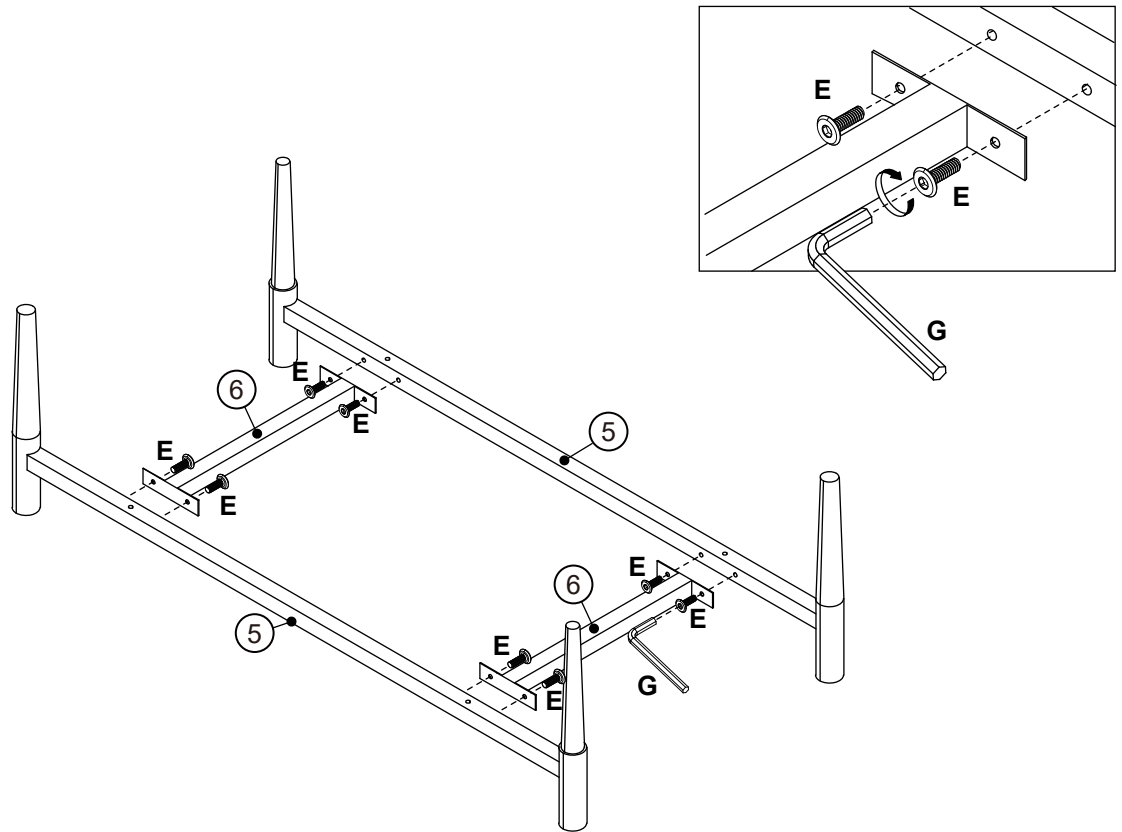
Step 7



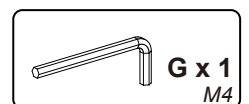
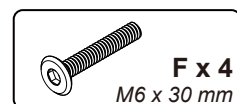
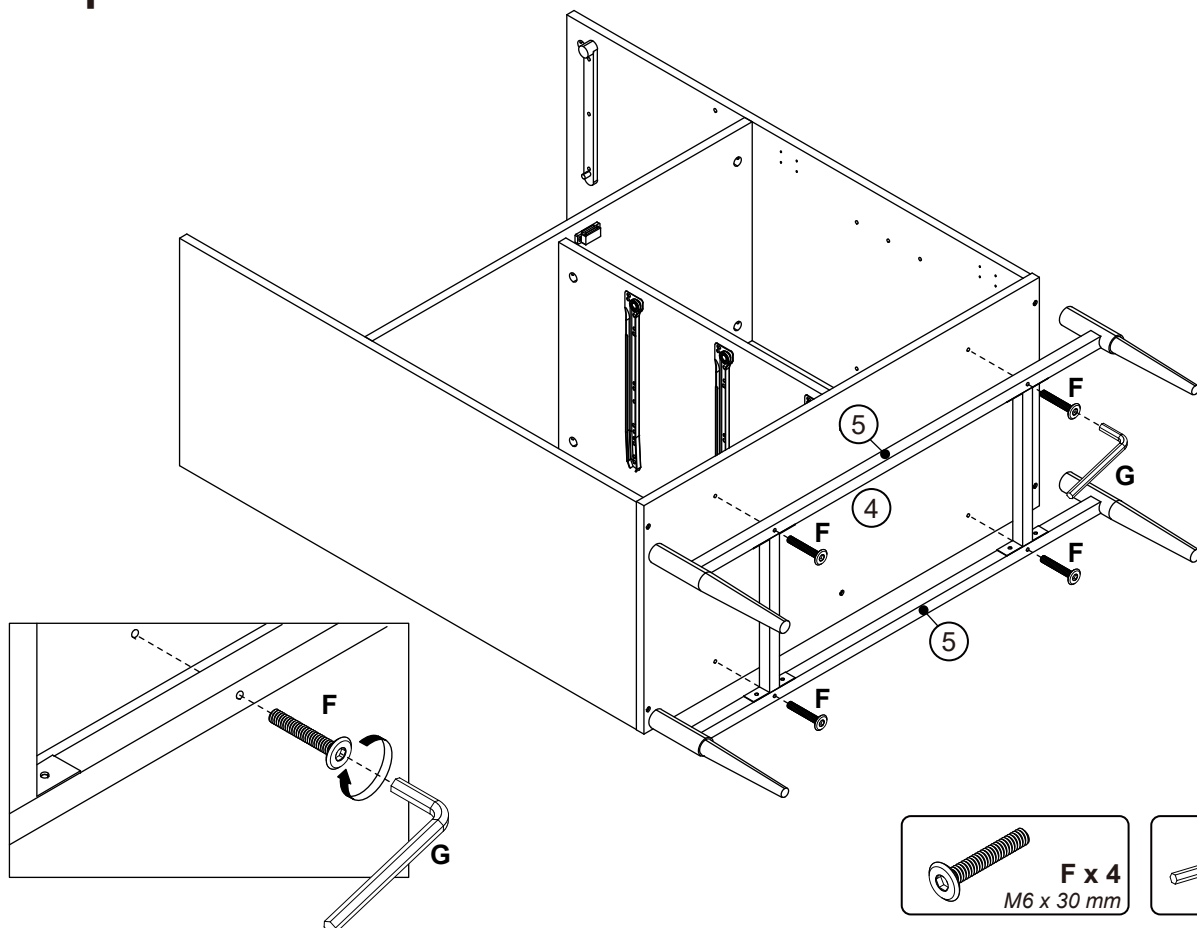
Step 8



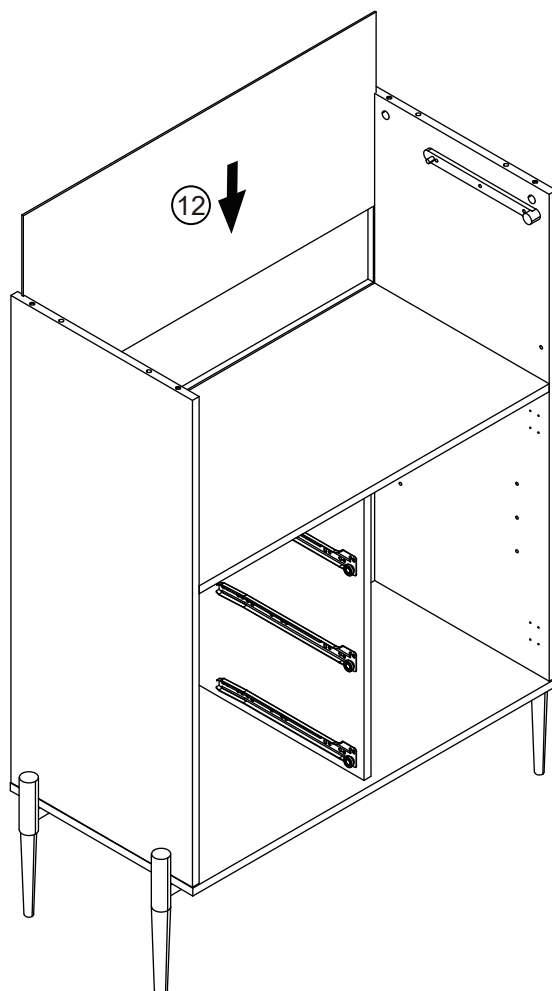
Step 9



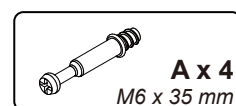
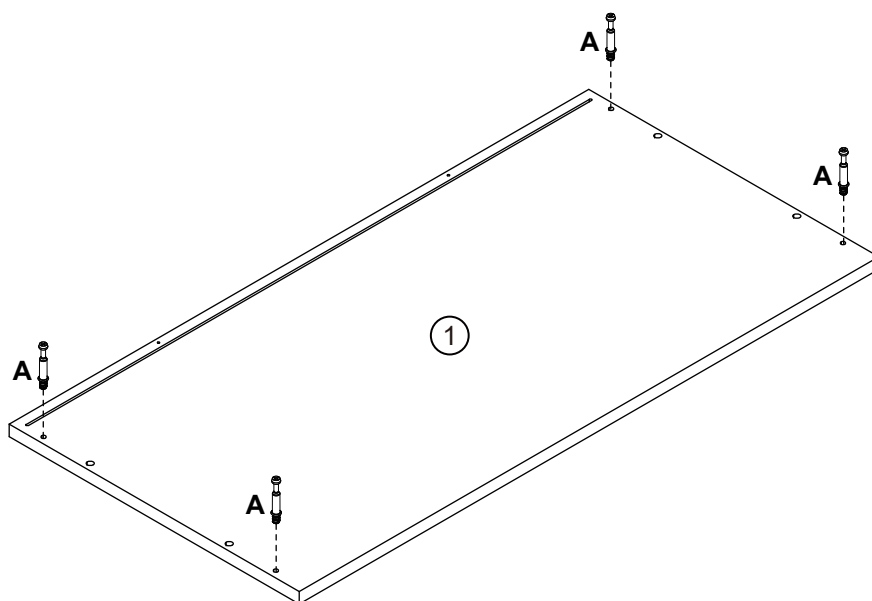
Step 10



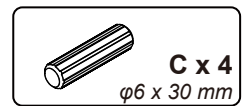
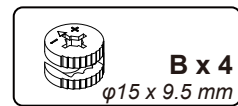
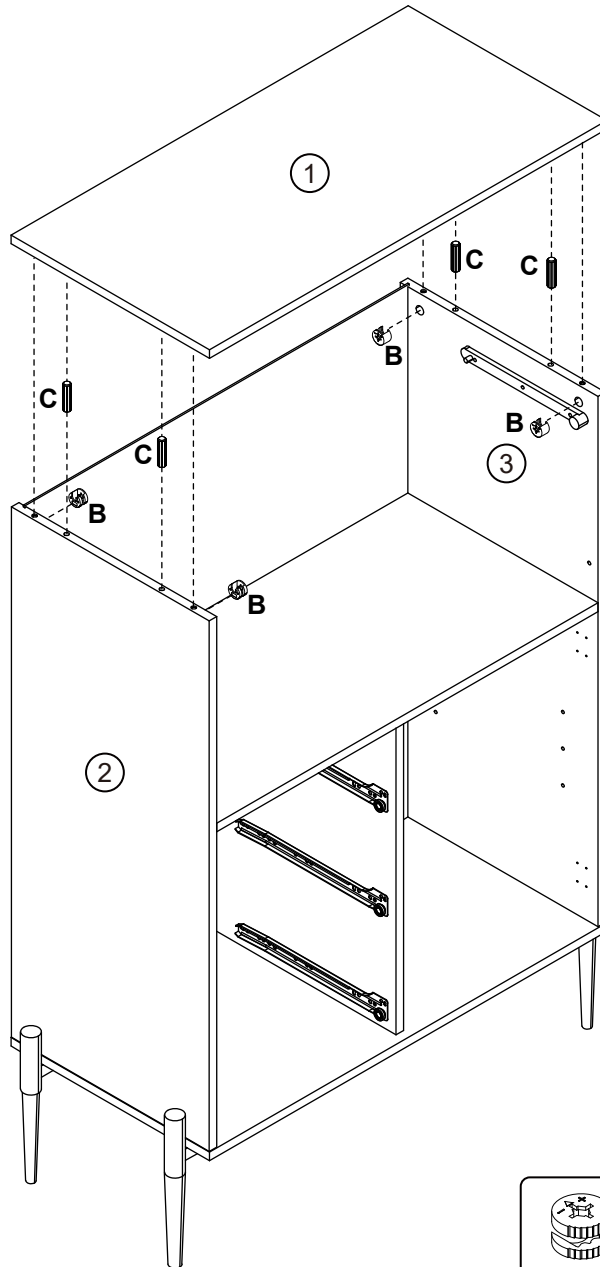
Step 11



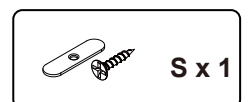
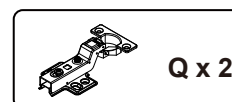
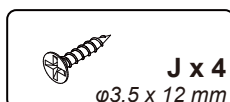
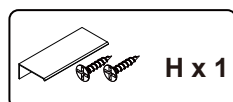
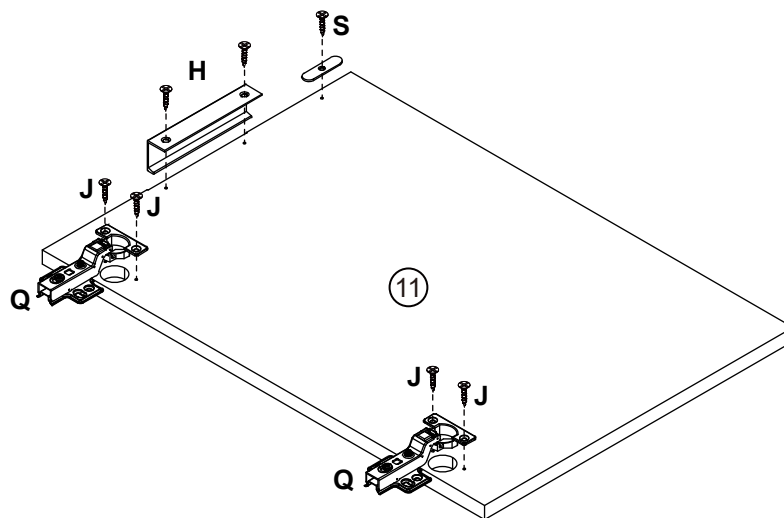
Step 12



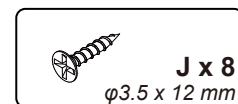
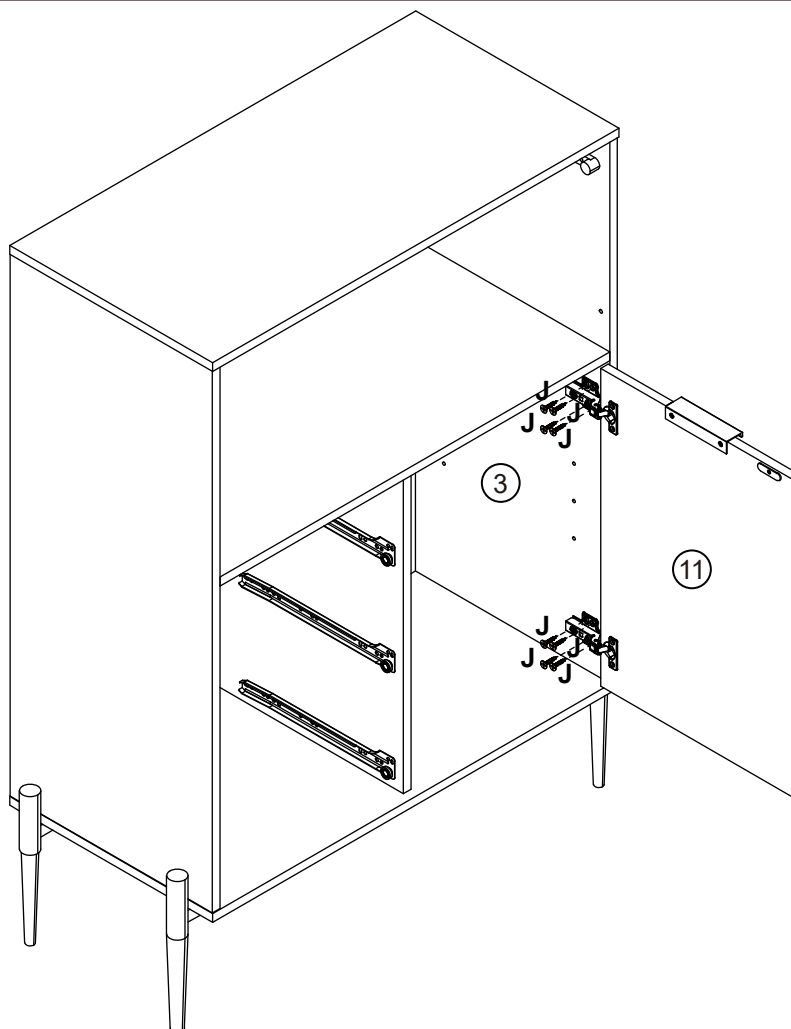
Step 13



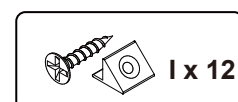
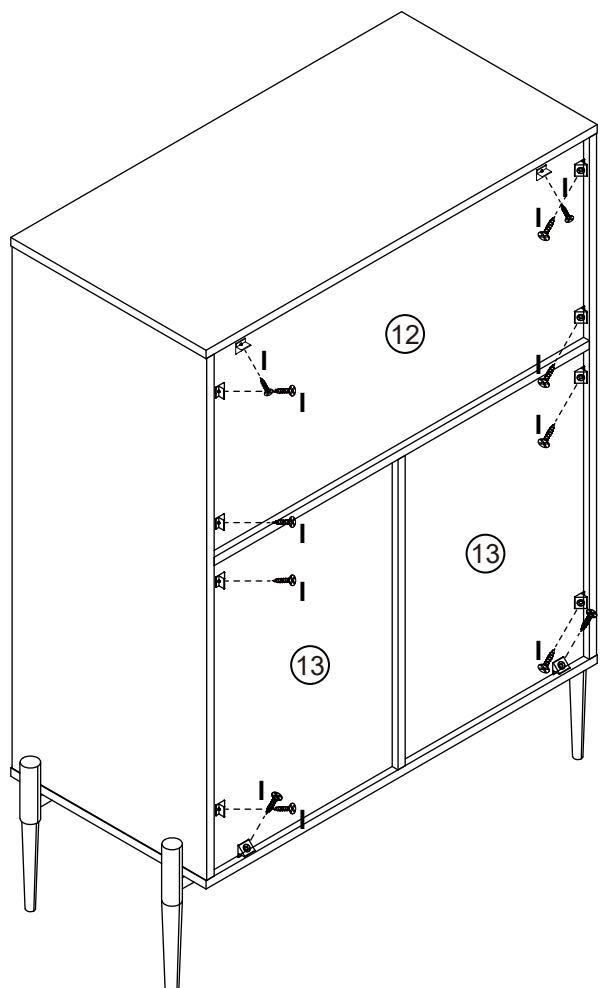
Step 14



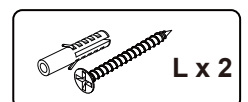
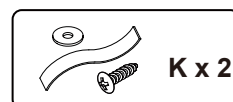
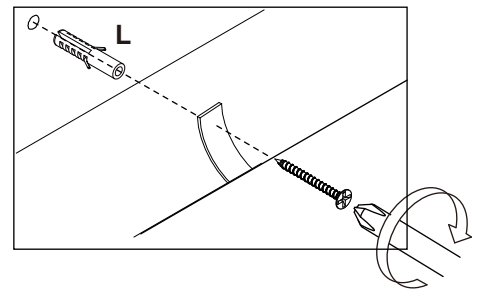
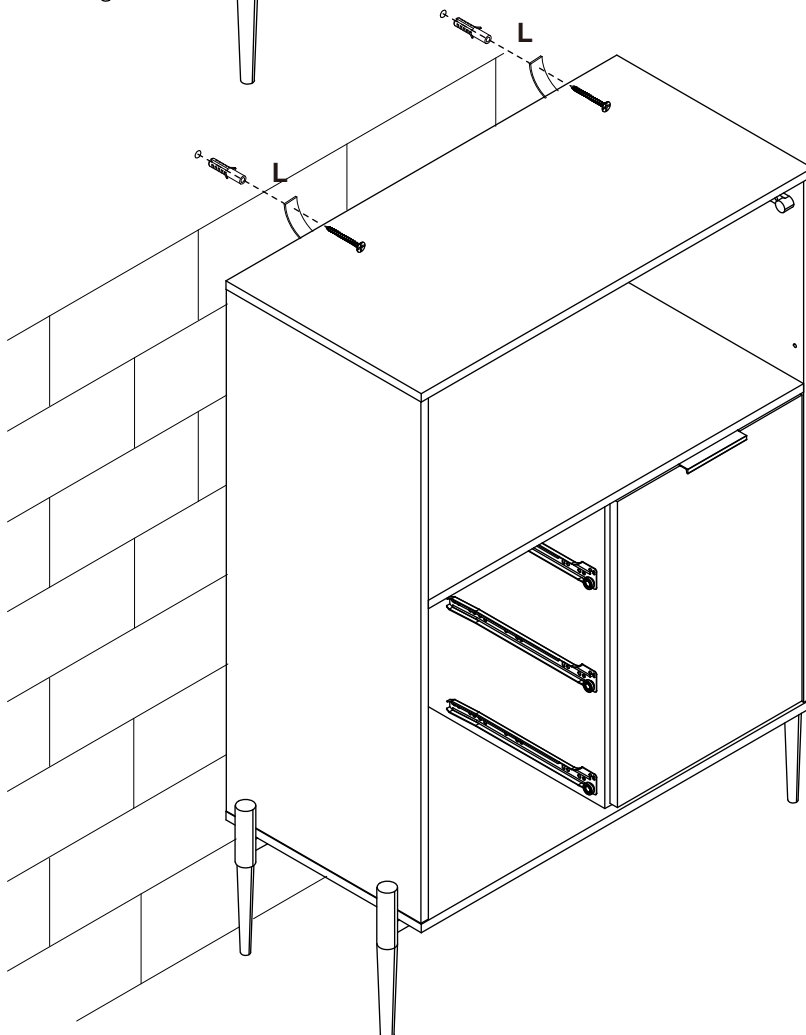
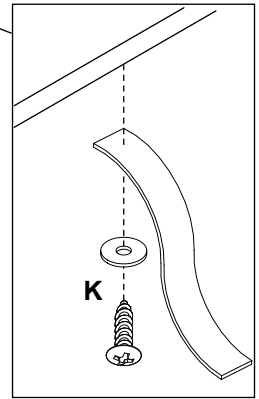
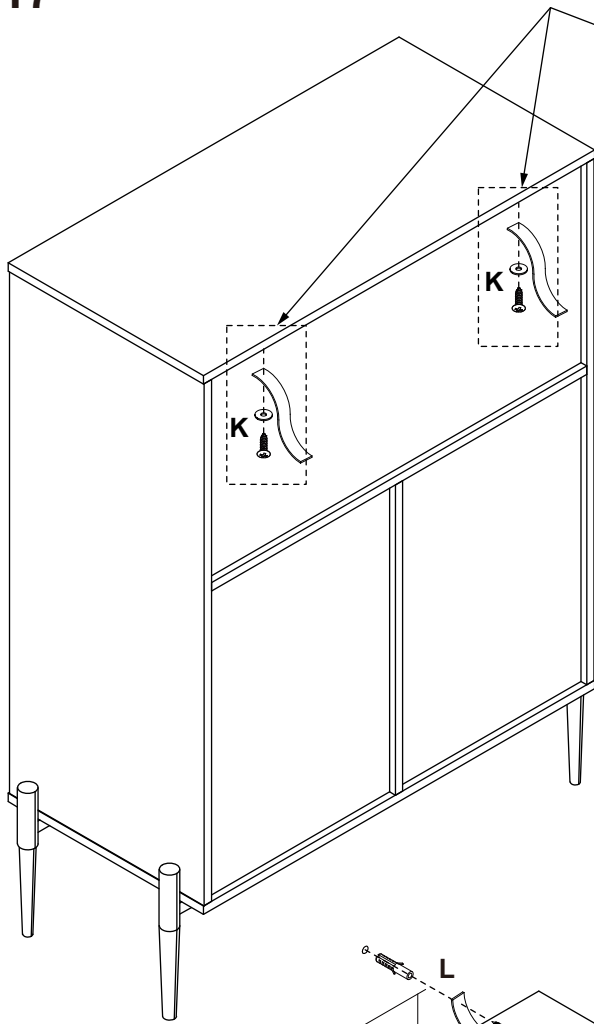
Step 15



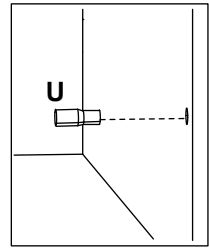
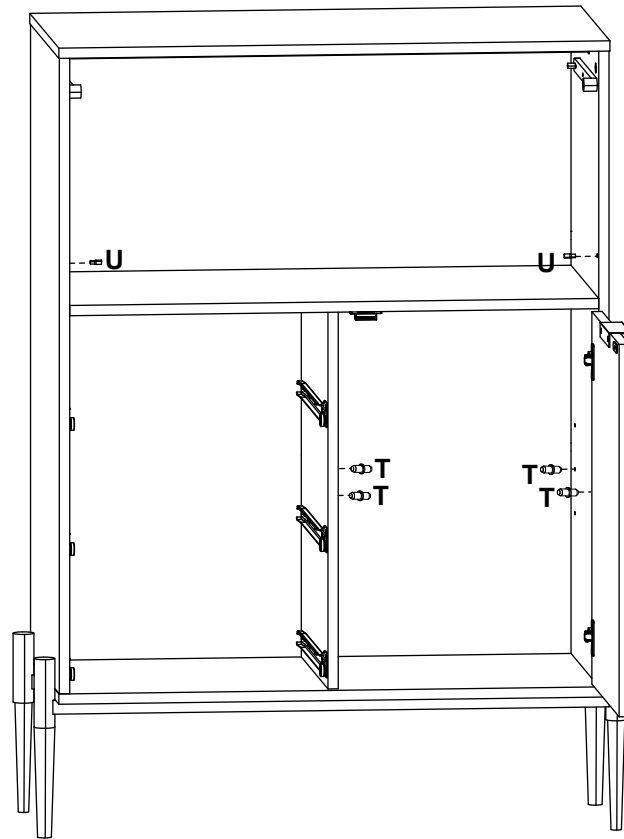
Step 16



Step 17



Step 18

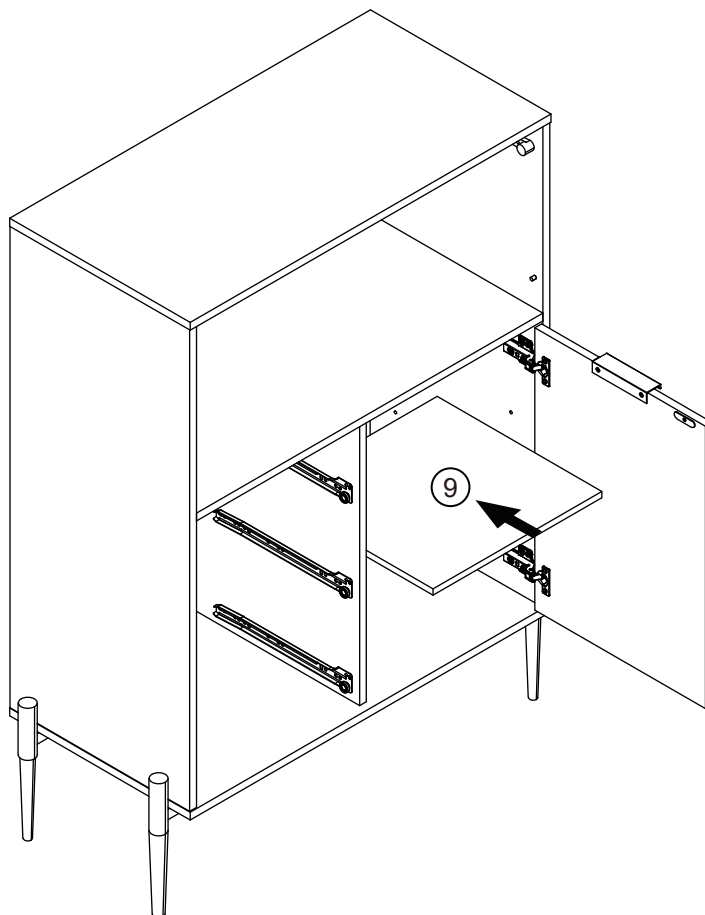


T x 4



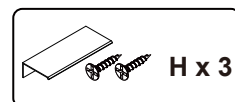
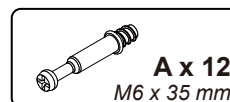
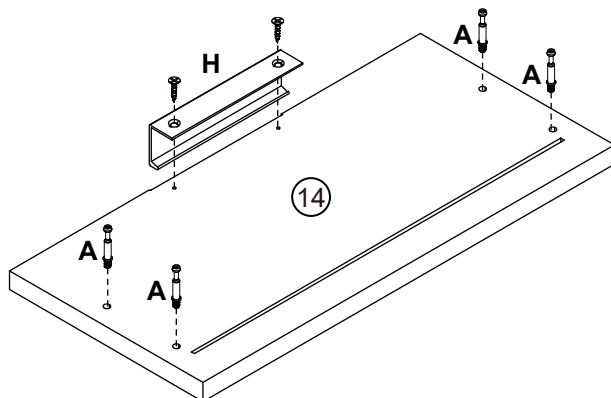
U x 2

Step 19



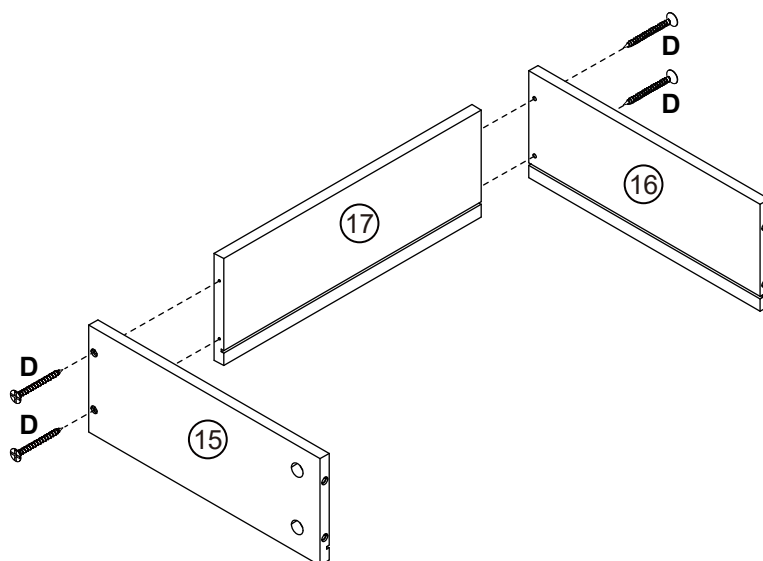
Step 20

x3



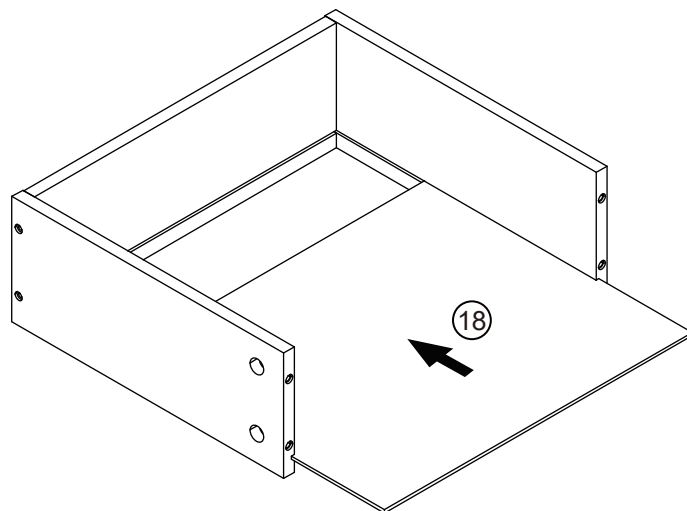
Step 21

x3



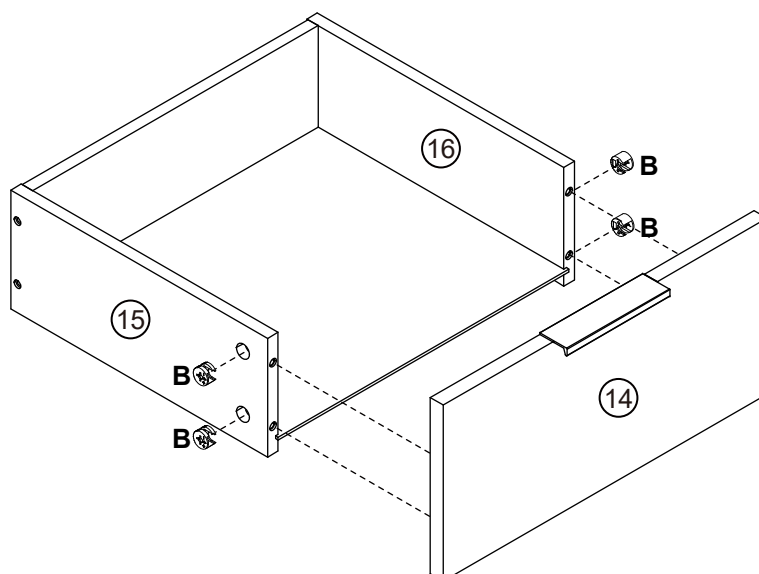
Step 22

x3

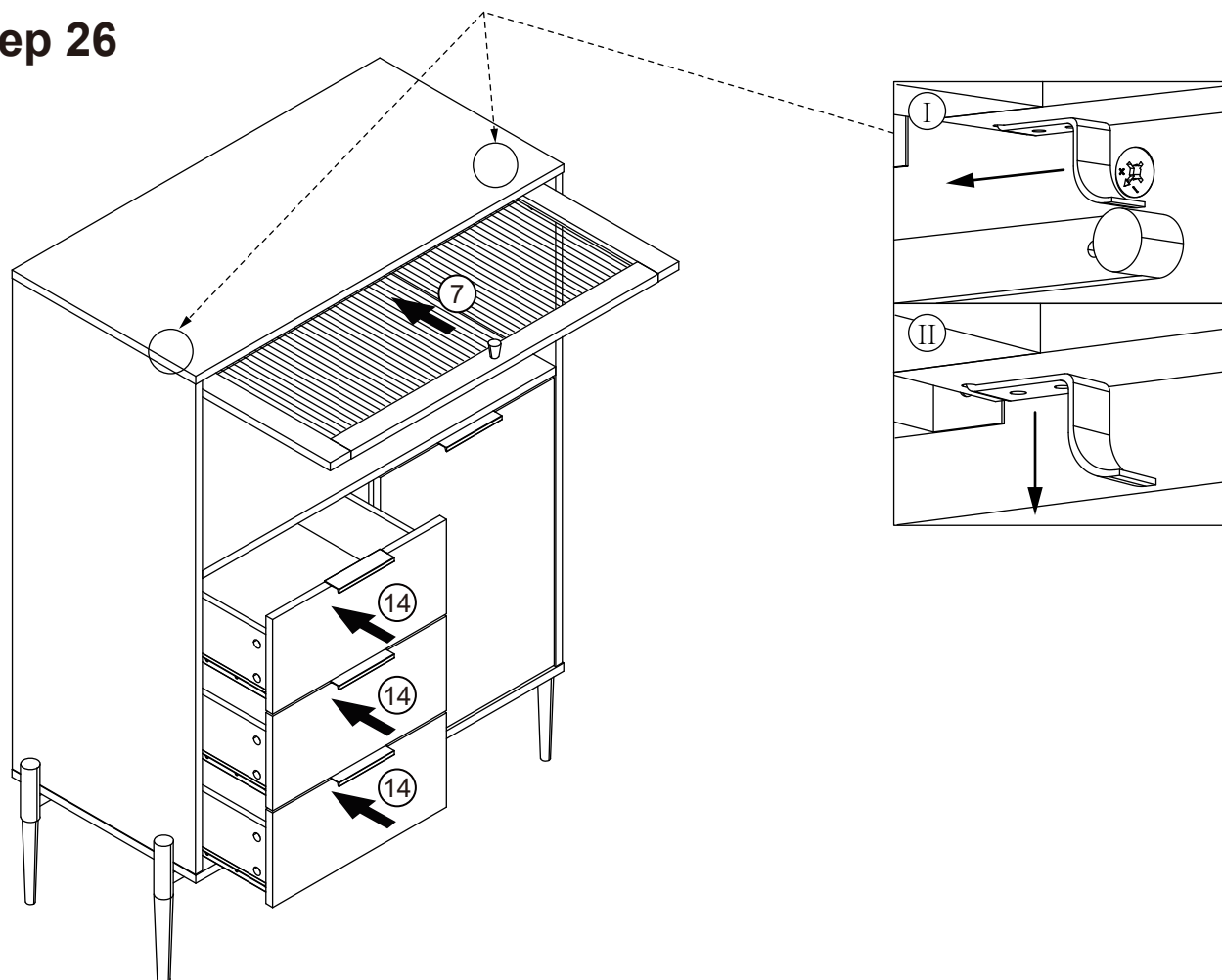


Step 23

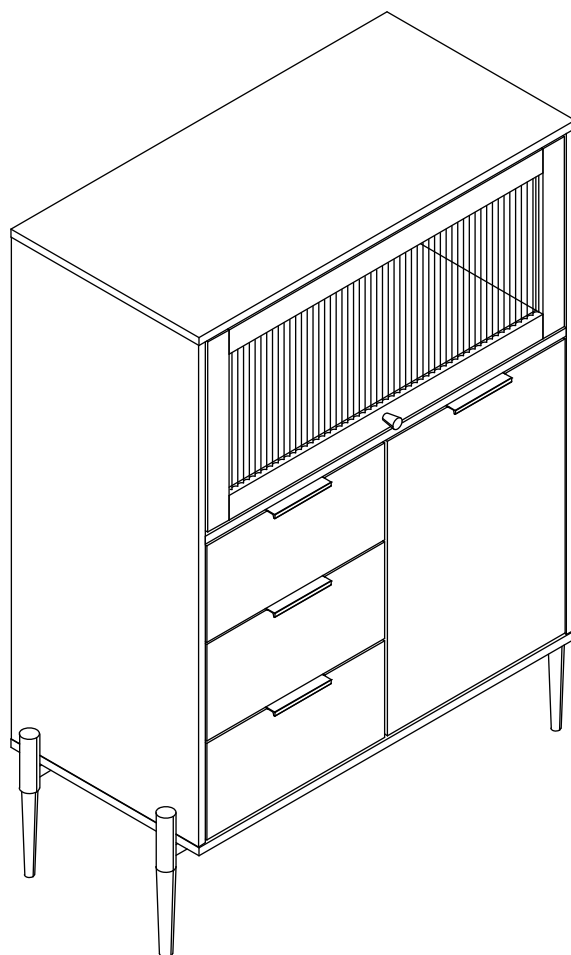
x3



Step 26



Step 27

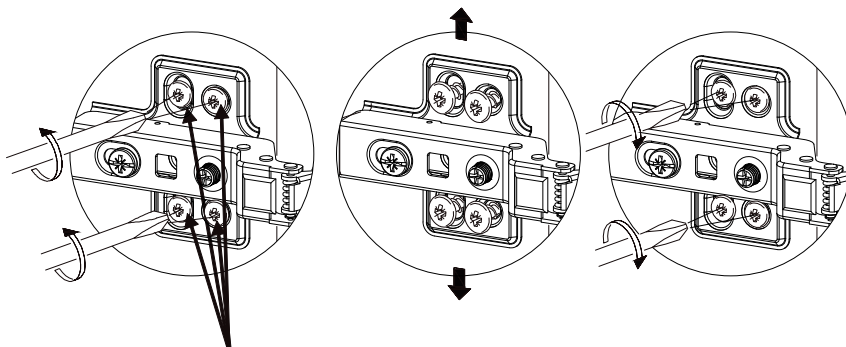
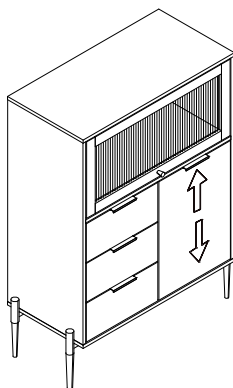


Step 28



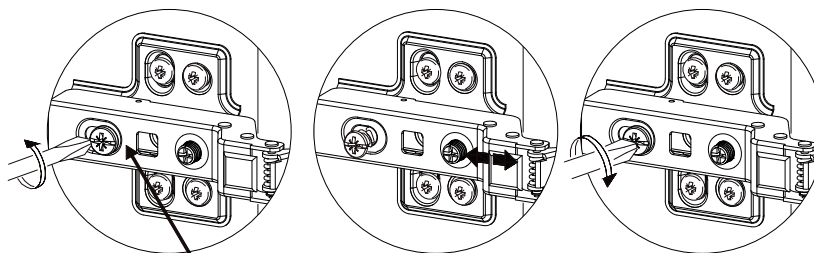
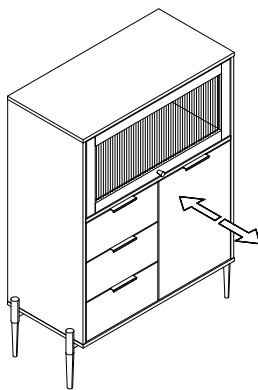
Customer Attention:

To align doors and control gap in between doors. Product doors may need adjusting during and after assembly. This can be done by adjusting appropriate screws. See below illustration.



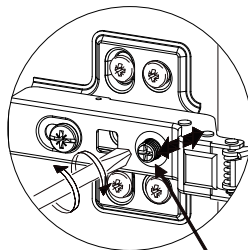
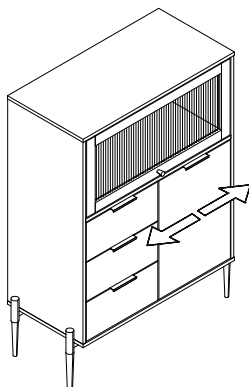
Vertical Door Adjustment:

Loosen both screws on all hinges and lift the door to the desired height. This allows an even space at the top and bottom between the door and frame.



Lateral Door Adjustment:

If door is hinge bound, (rubbing on frame as you close or open door) loosening screw shown and move the door in appropriate direction. (In or out)



Horizontal Door Adjustment:

Rotate Screw clockwise or anticlockwise. This will produce an even gap between doors and frame.