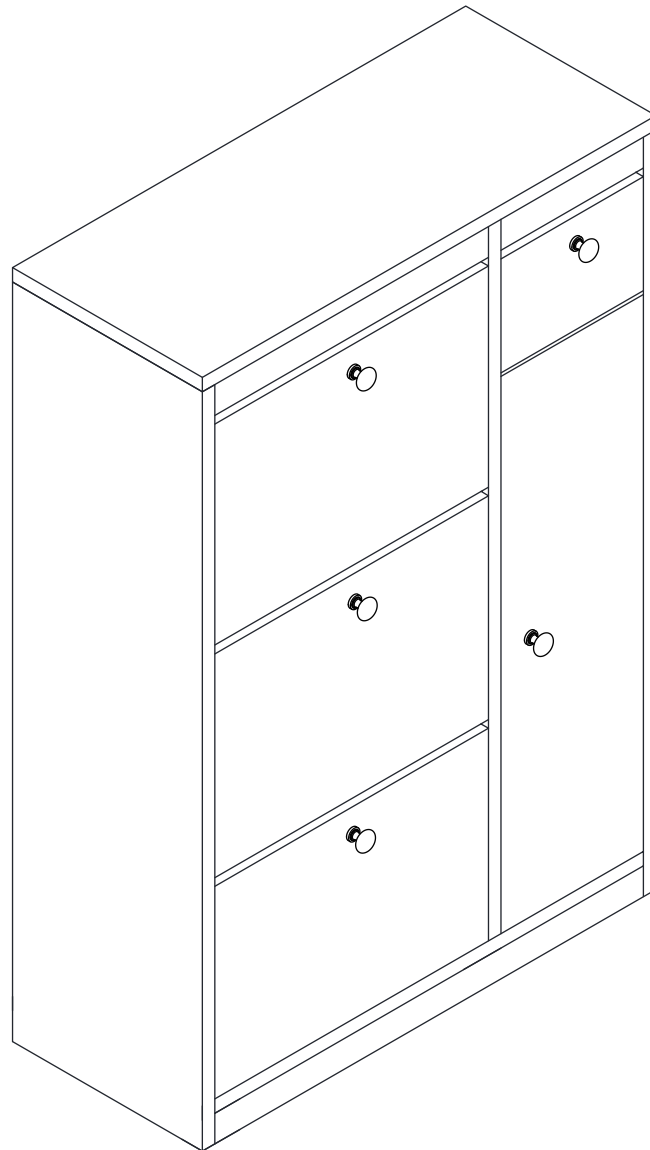
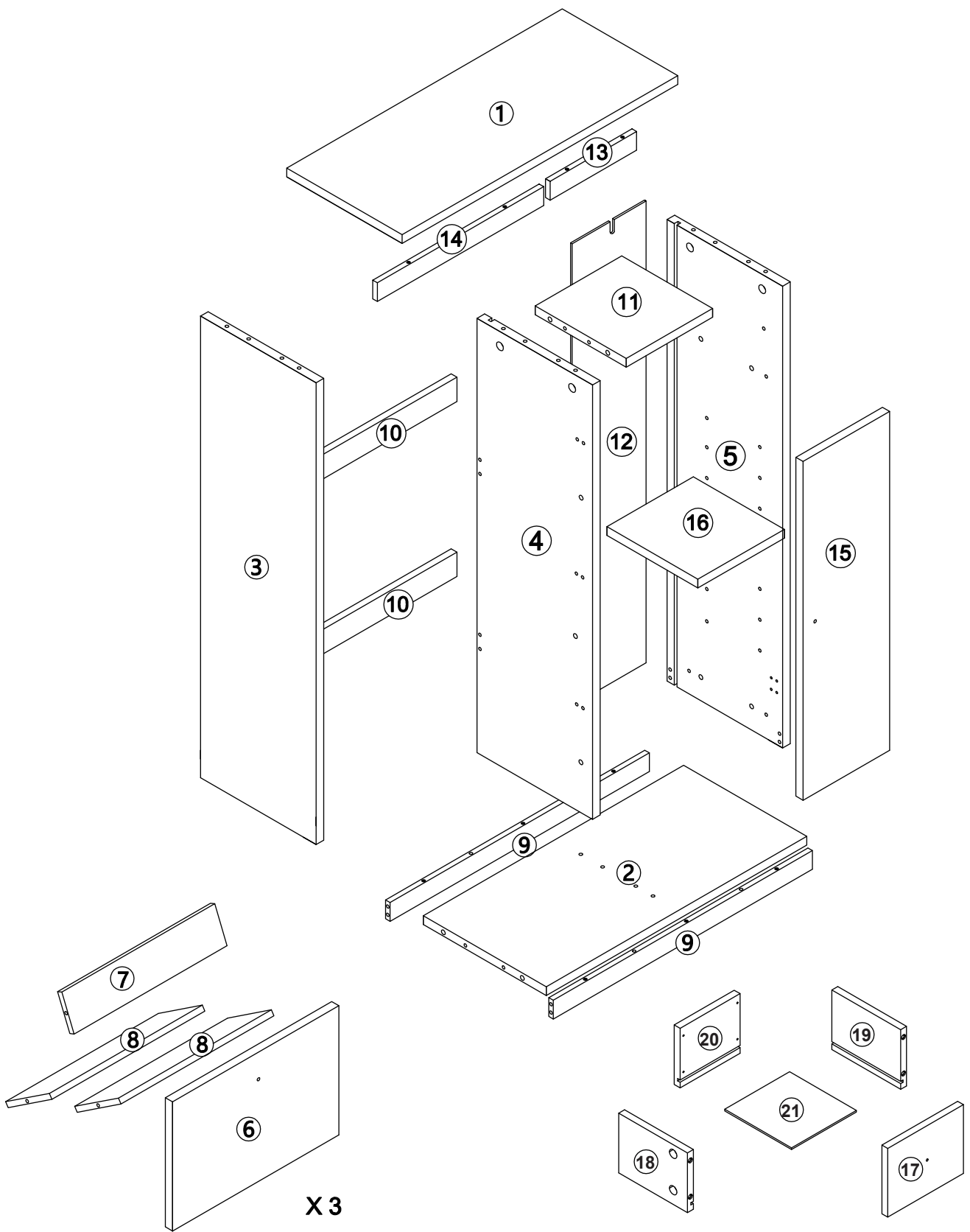


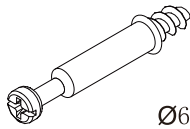
ASSEMBLY INSTRUCTIONS

<<Before assembling, read all instructions>>





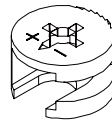
A



Ø6x35mm

26 PCS

B



Ø15x9.5mm

26 PCS

C



Ø6x30mm

32 PCS

D



Ø4x40mm

12PCS

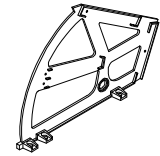
E



Ø3.5x14mm

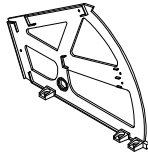
54 PCS

F



3 PCS

G



3 PCS

H



Ø4x18mm

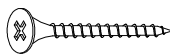
5 PCS

I



6 PCS

J



Ø4x35mm

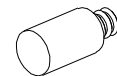
6 PCS

K



4 PCS

L



2 PCS

M



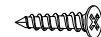
4 PCS

N



6 PCS

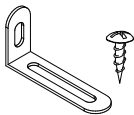
O



Ø3x14mm

4 PCS

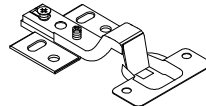
P



Ø4x14mm

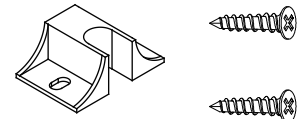
2 PCS

Q



2 PCS

R



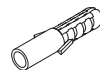
1 PC

S



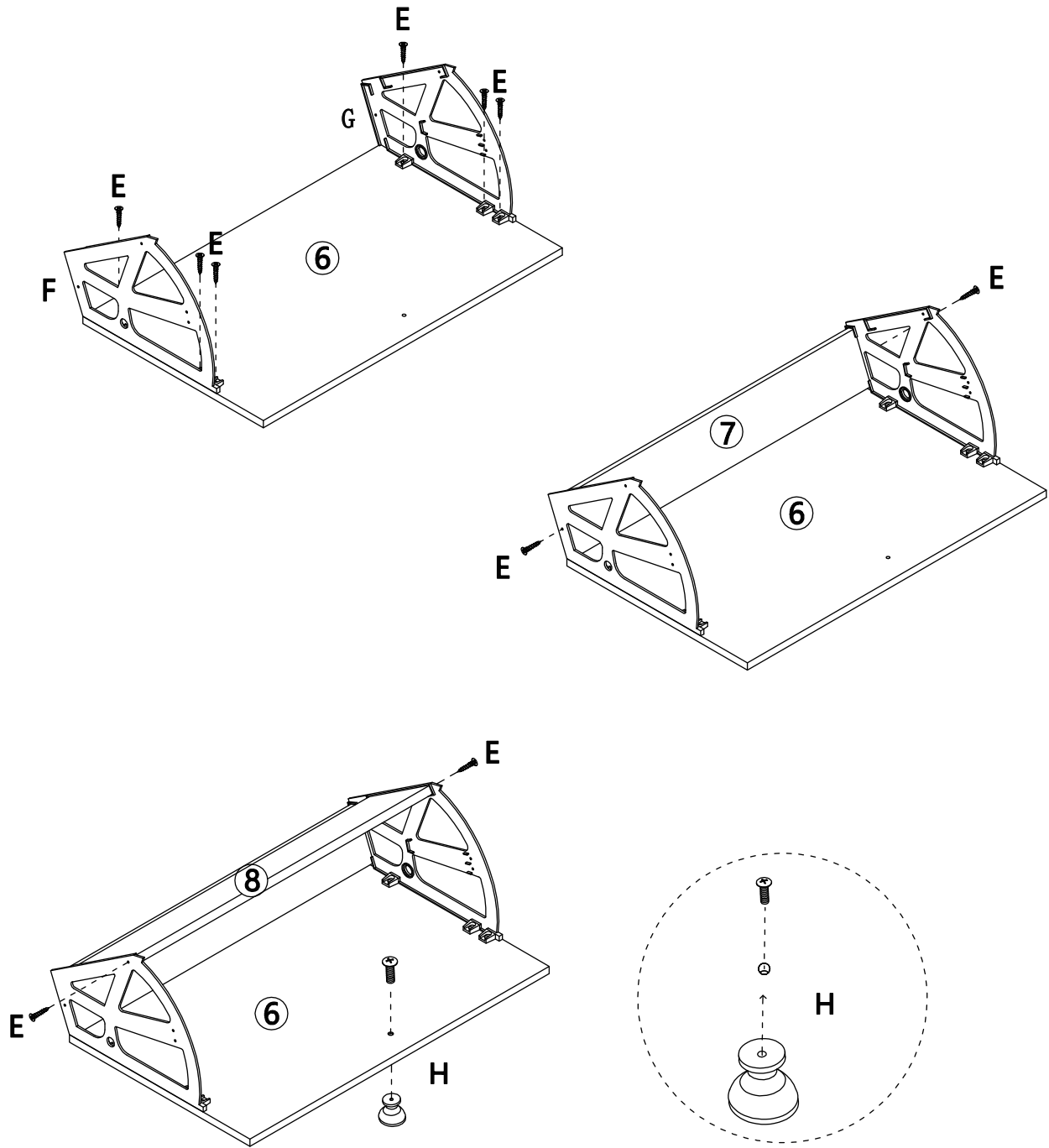
6 PCS

T

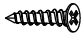





2 PCS

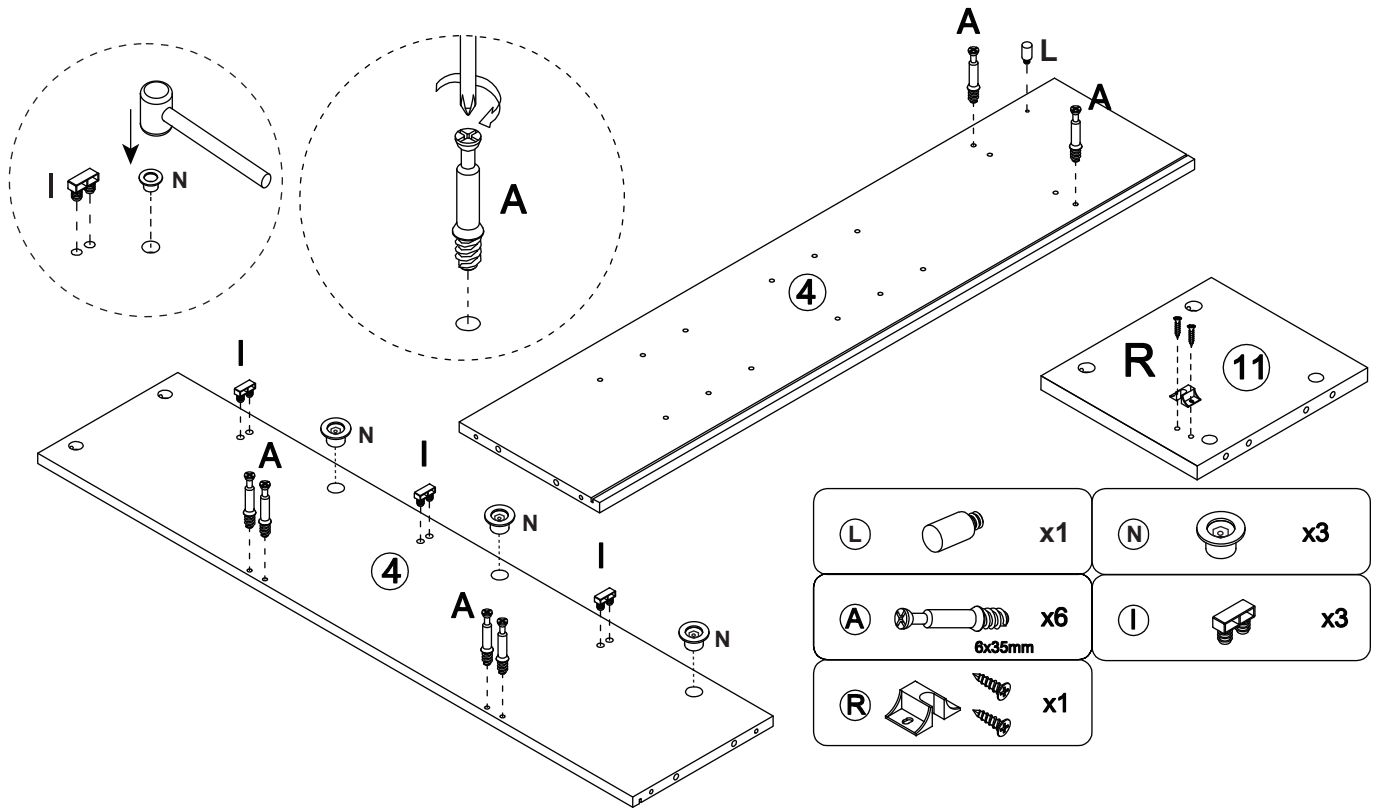
Step 1



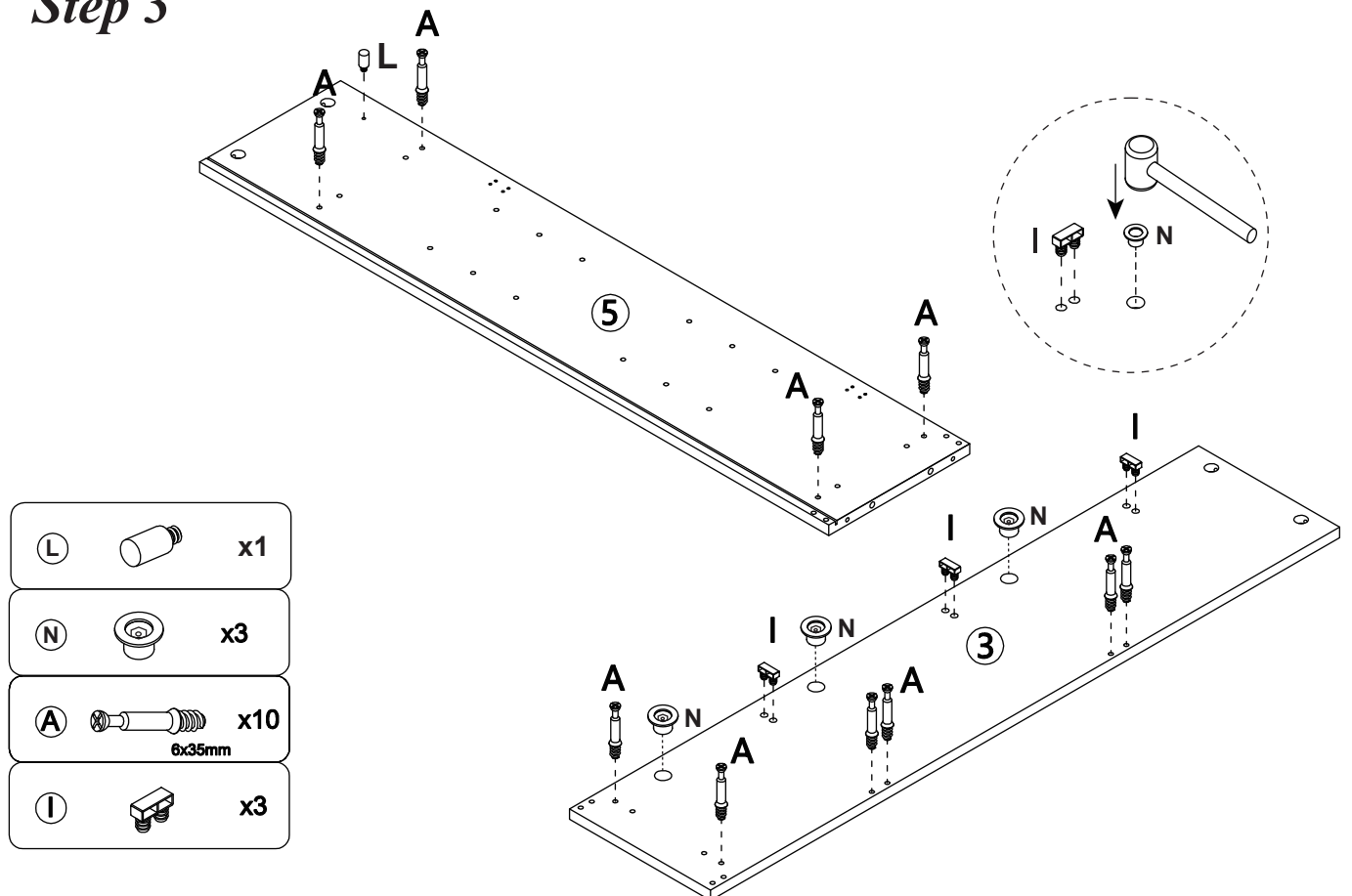
X 3

 E x30 Ø3.5x14mm	 F x3
 G x3	 H x3 Ø4x20mm

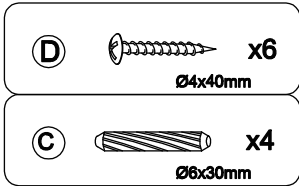
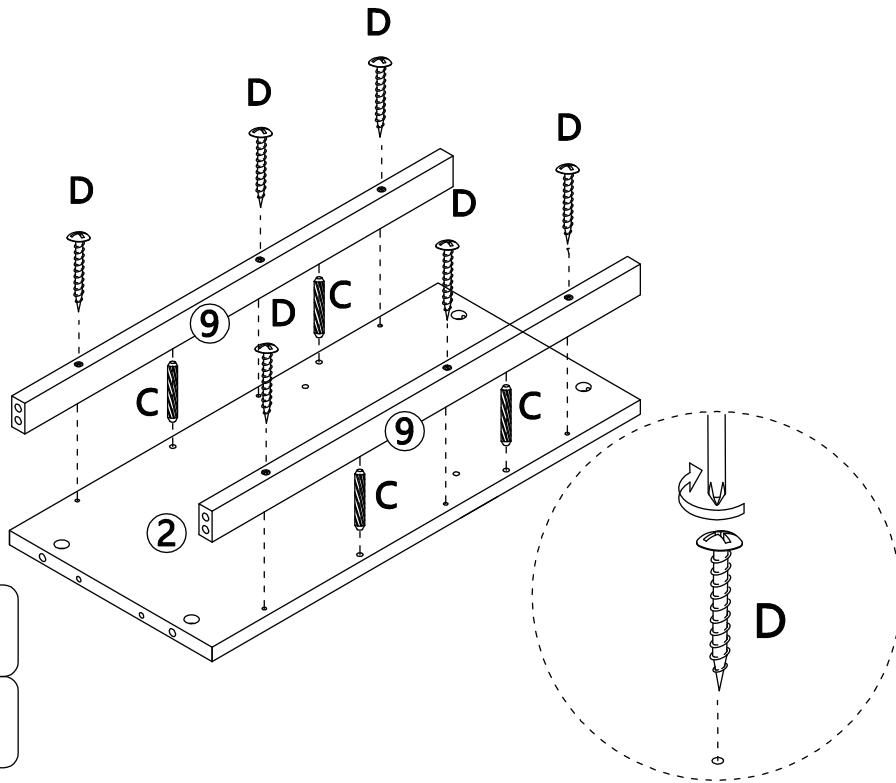
Step 2



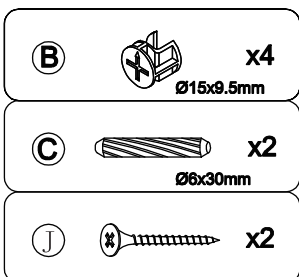
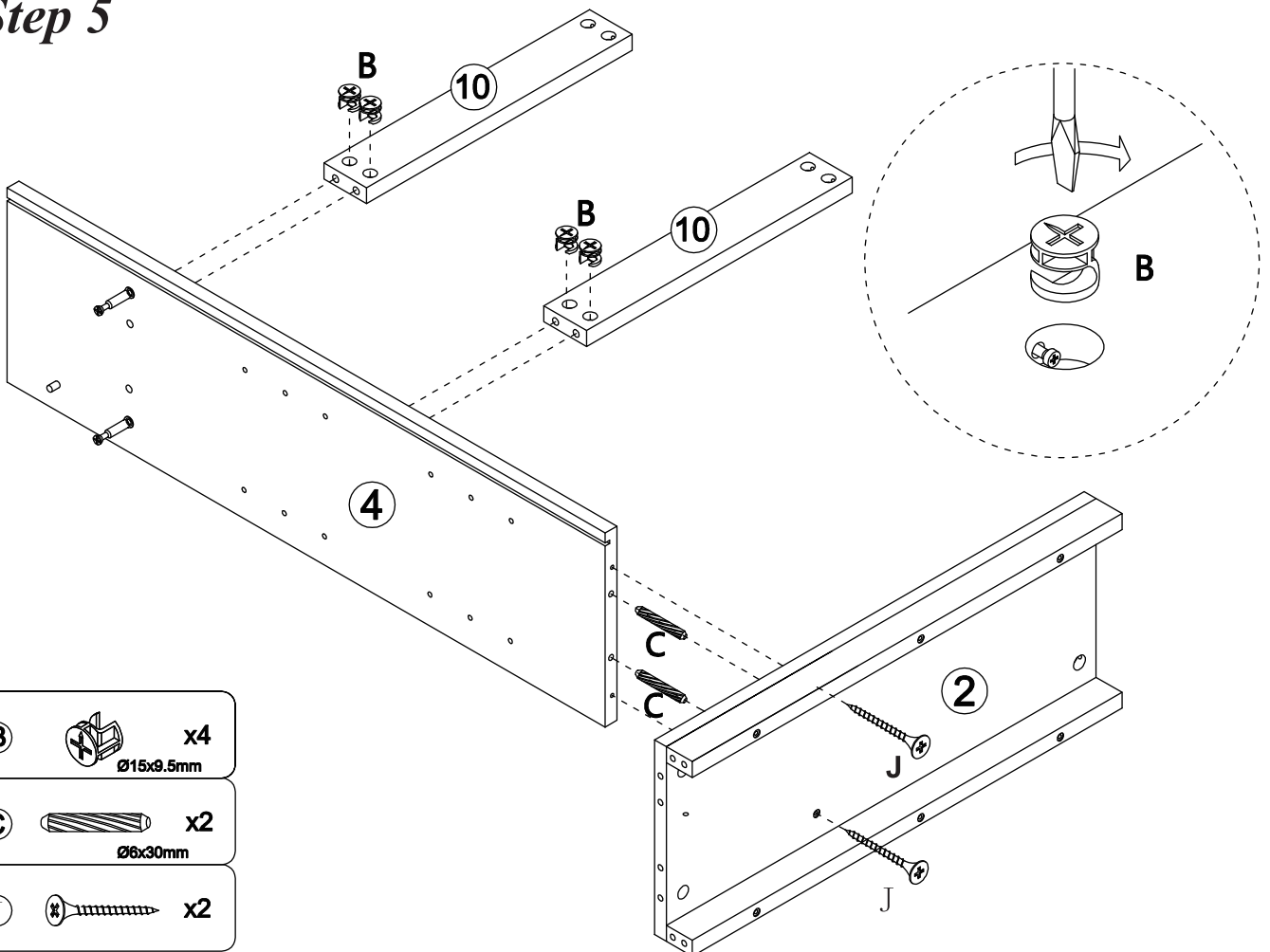
Step 3



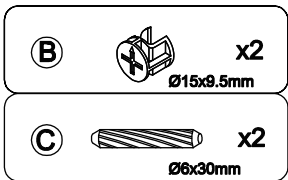
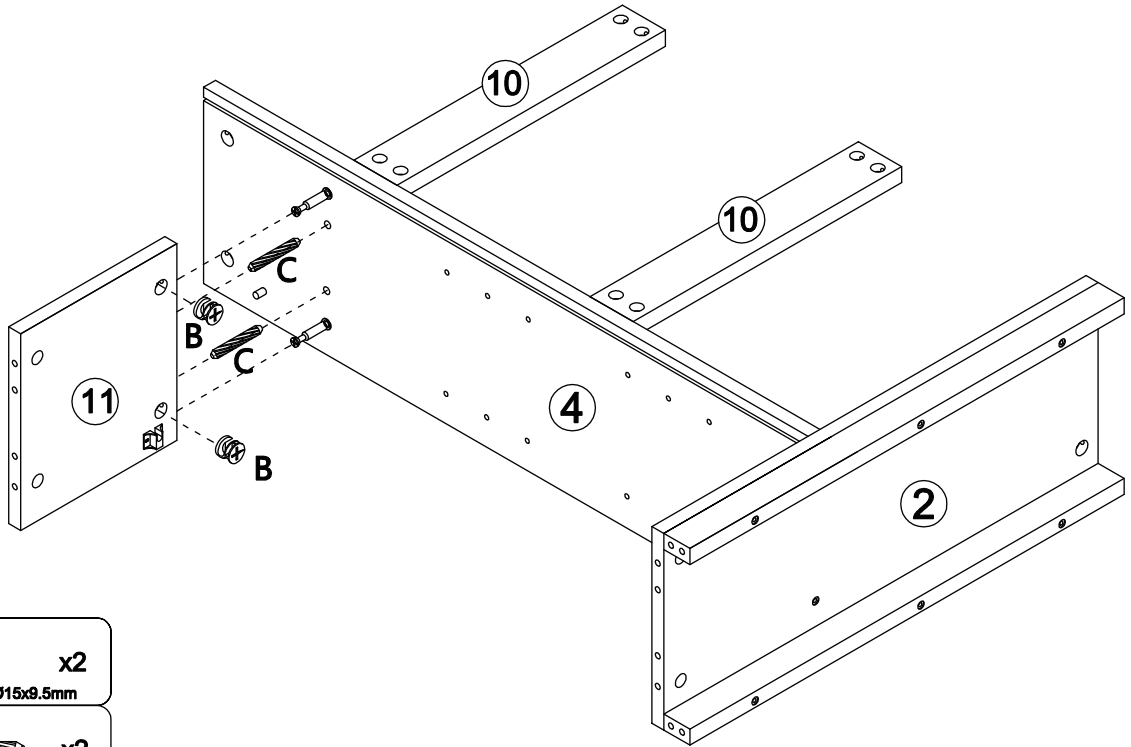
Step 4



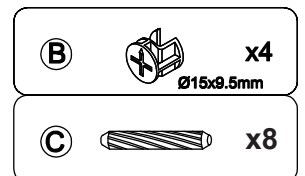
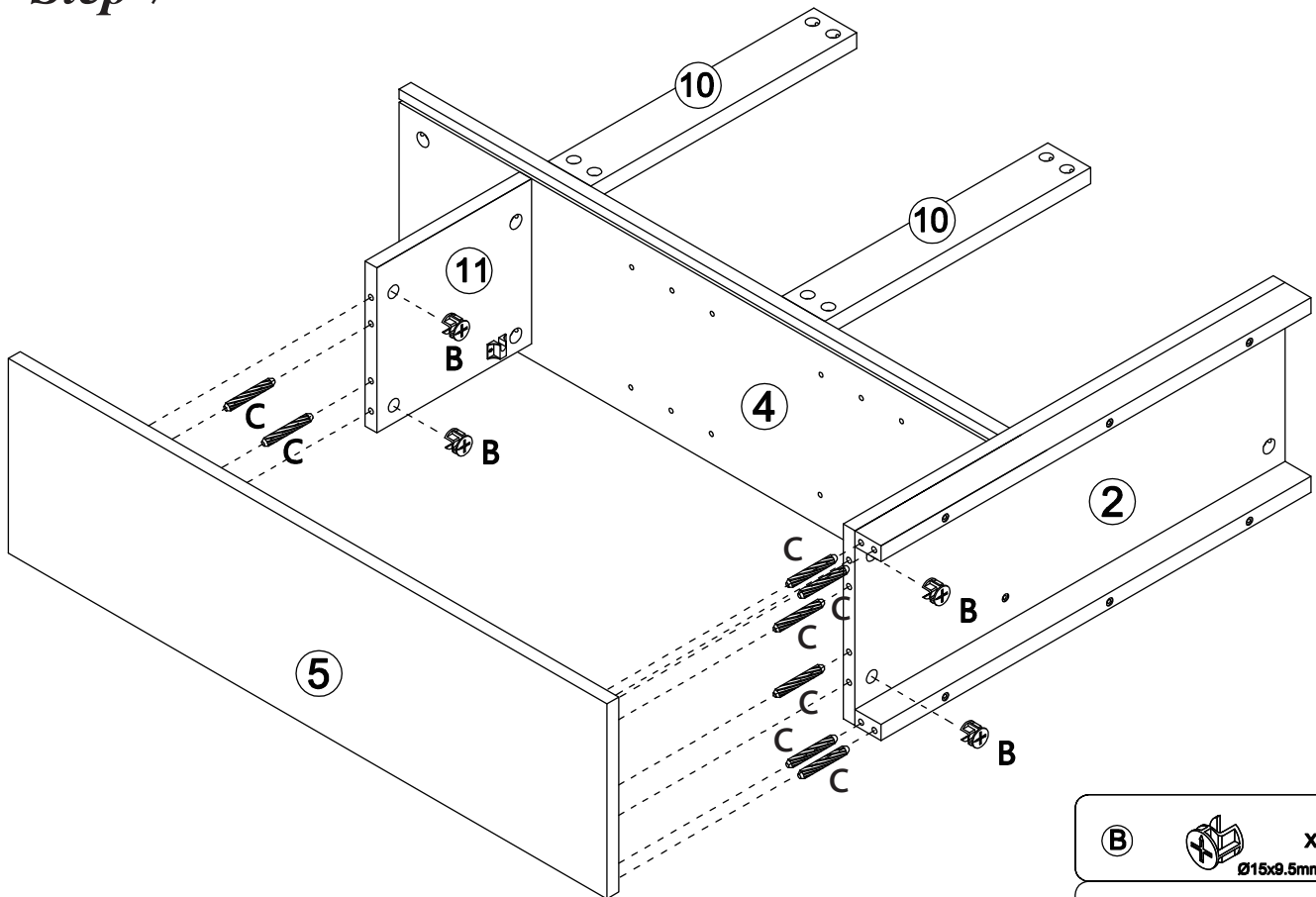
Step 5



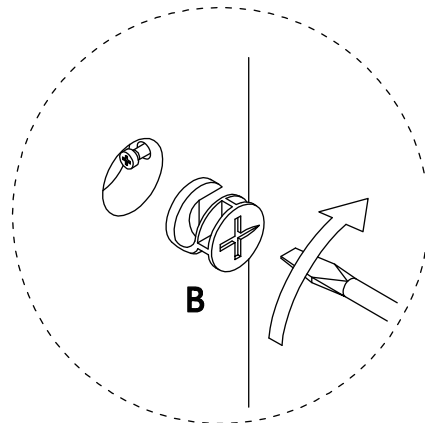
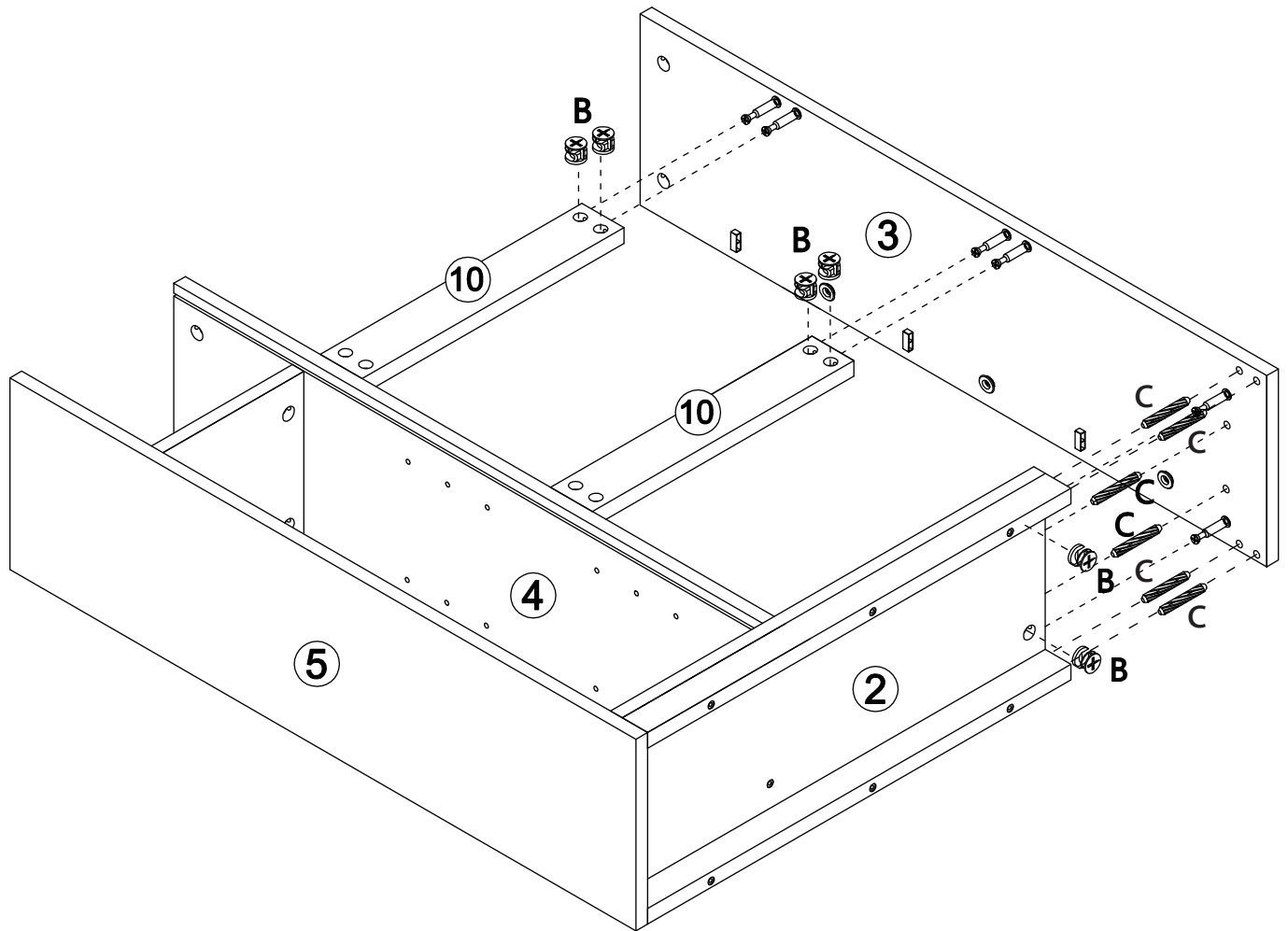
Step 6





Step 7

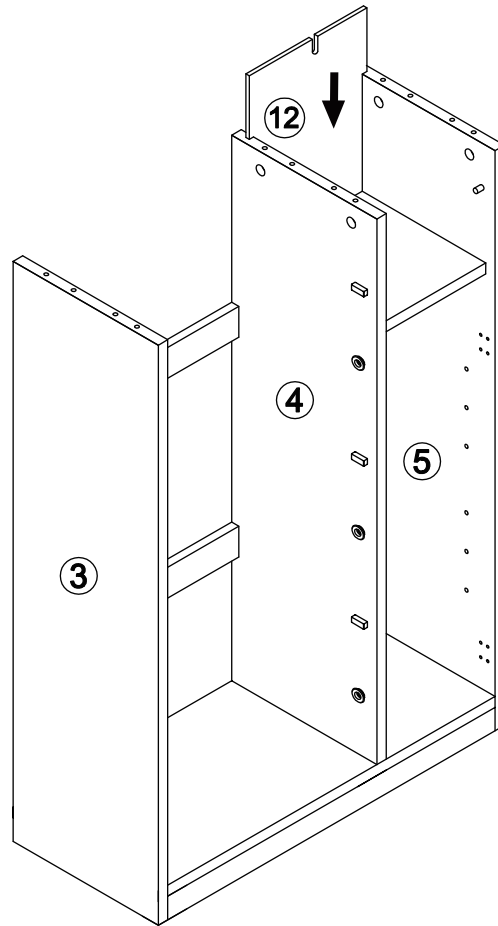


Step 8

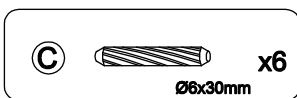
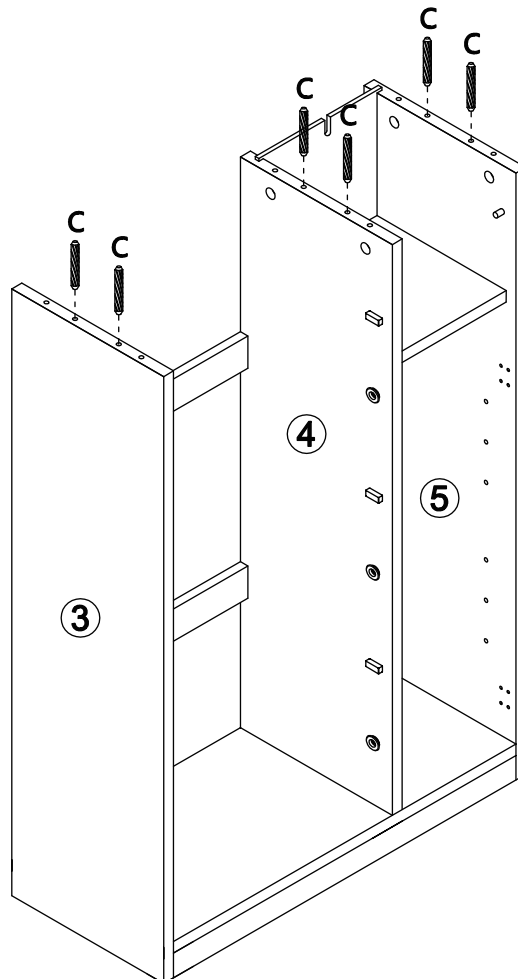


B		x6 Ø15x9.5mm
C		x6 Ø6x30mm

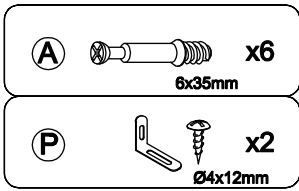
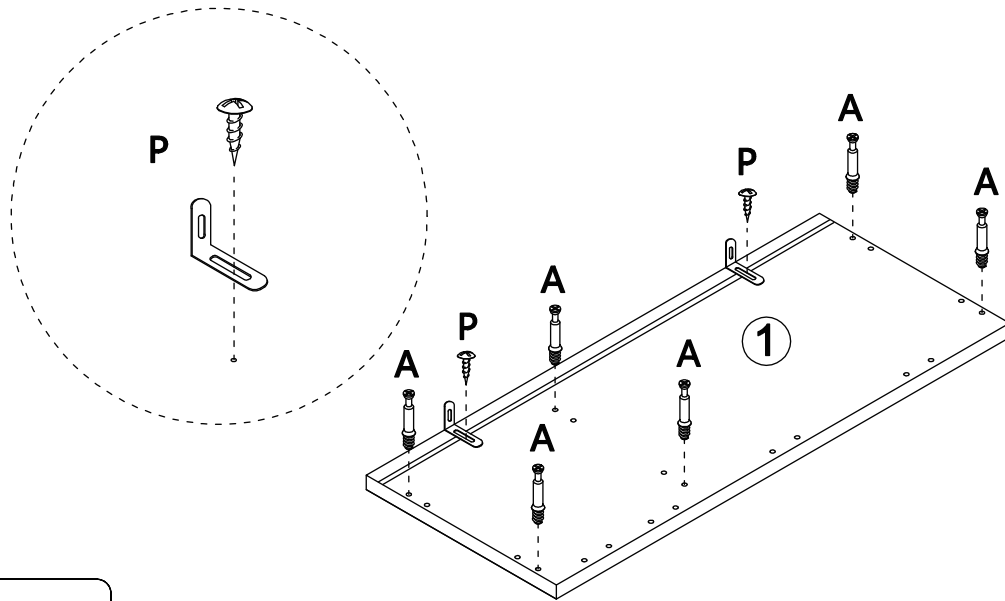
Step 9



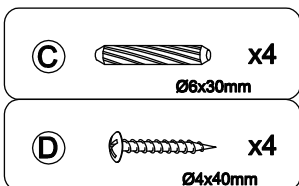
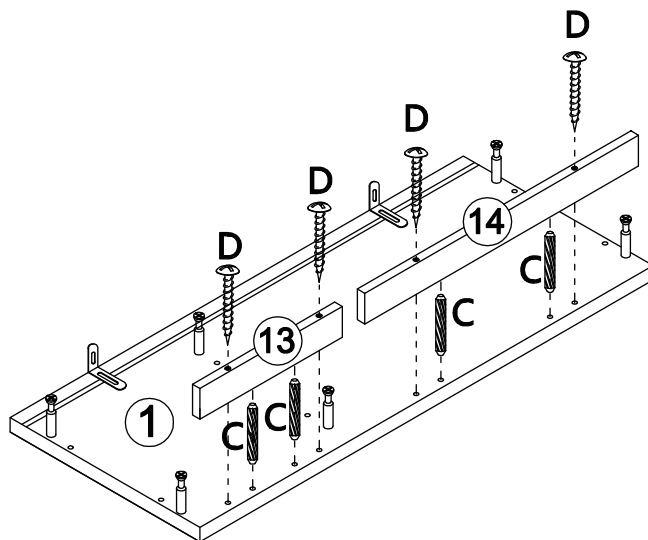
Step 10



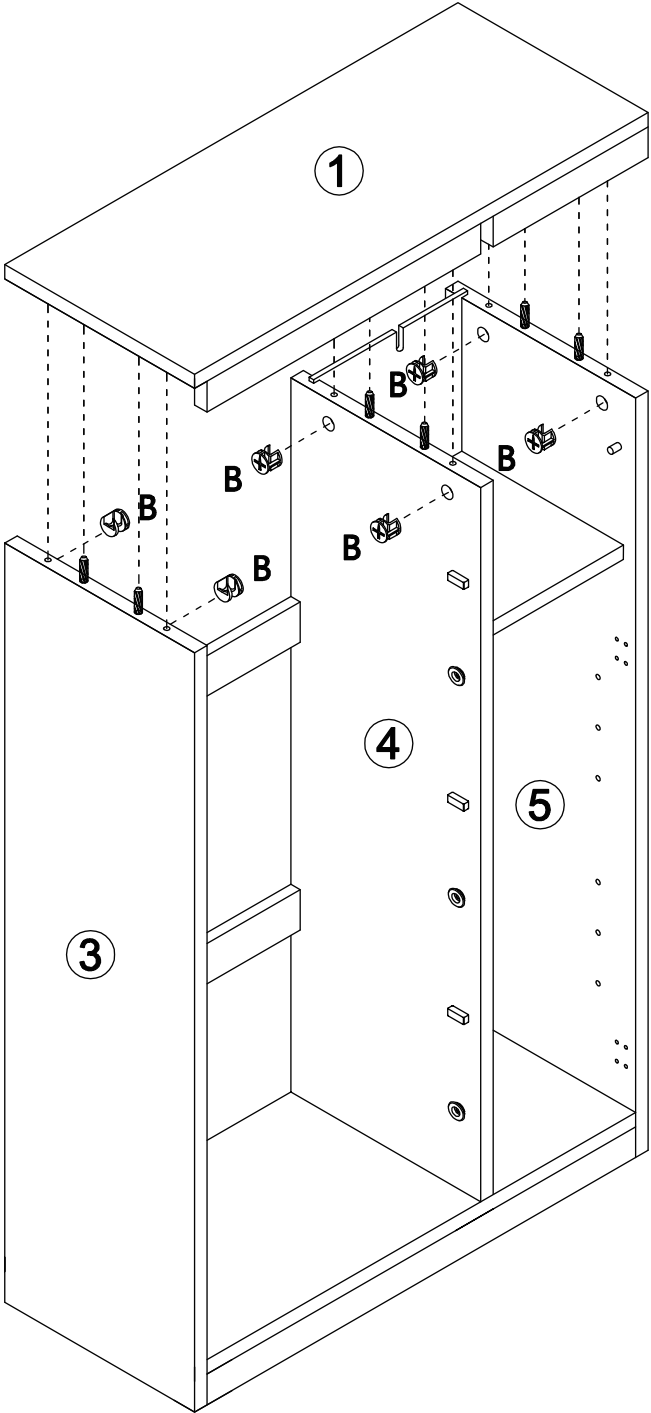
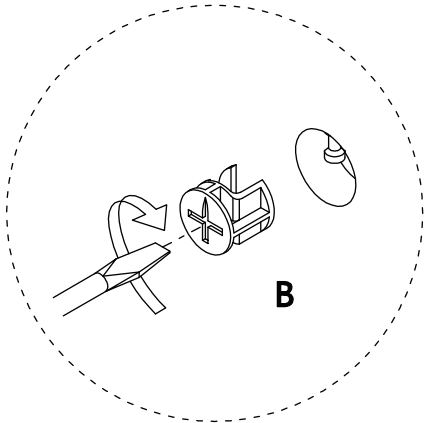
Step 11




Step 12

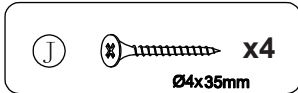
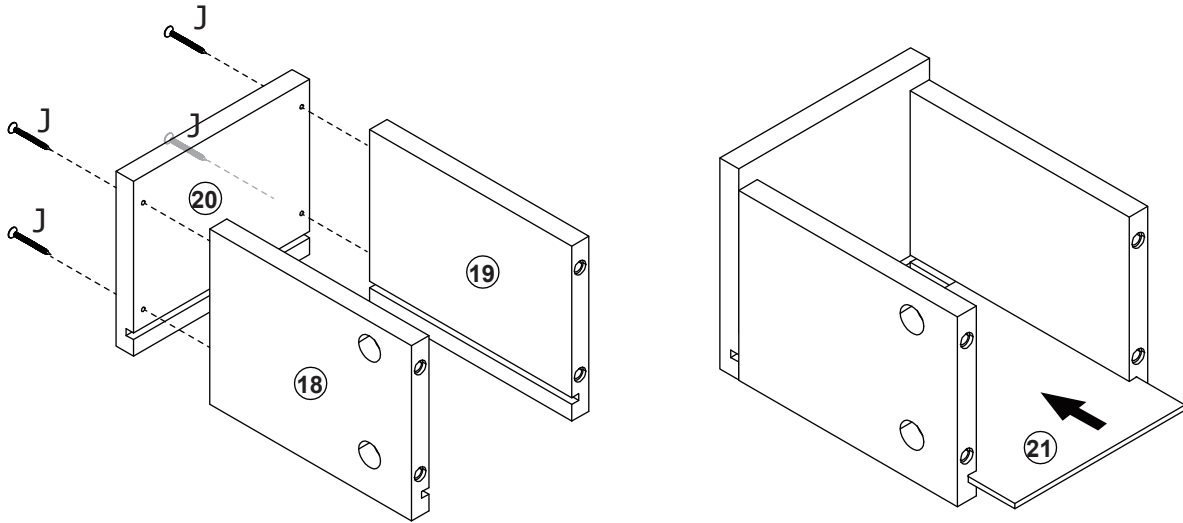


Step 13

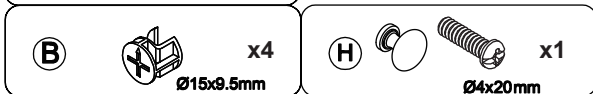
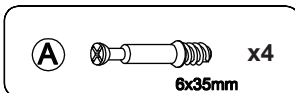
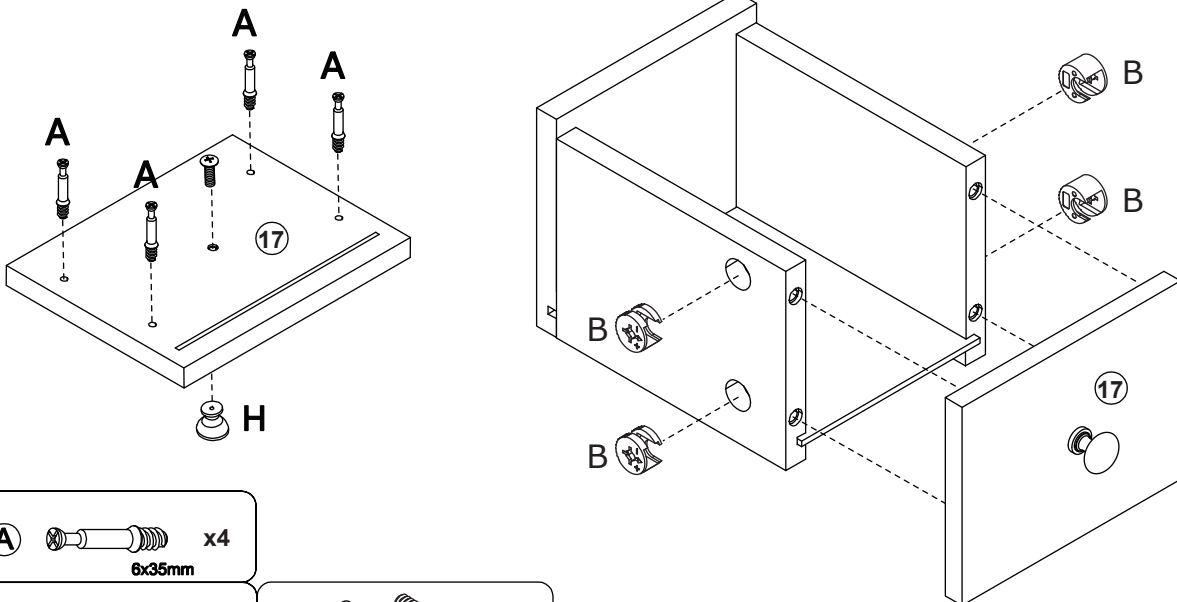


ⓑ  x6
Ø15x9.5mm

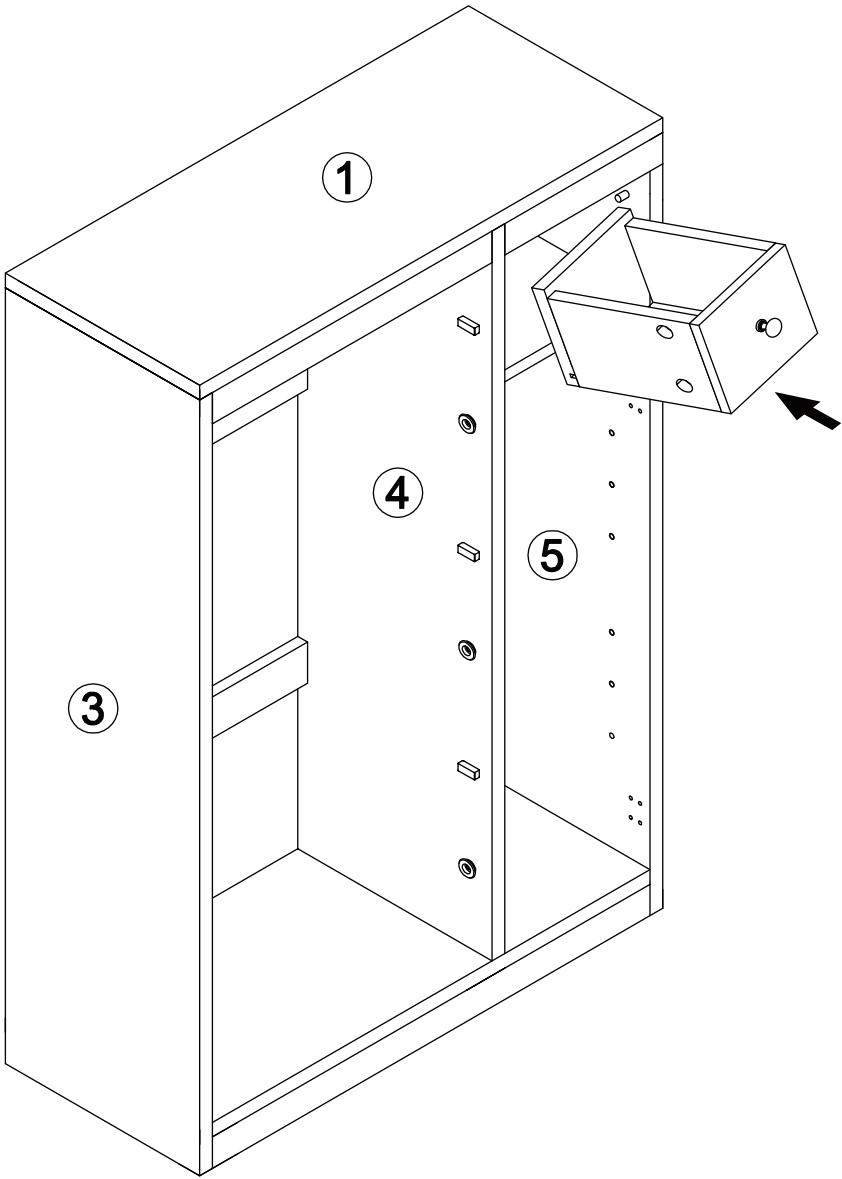
Step 14



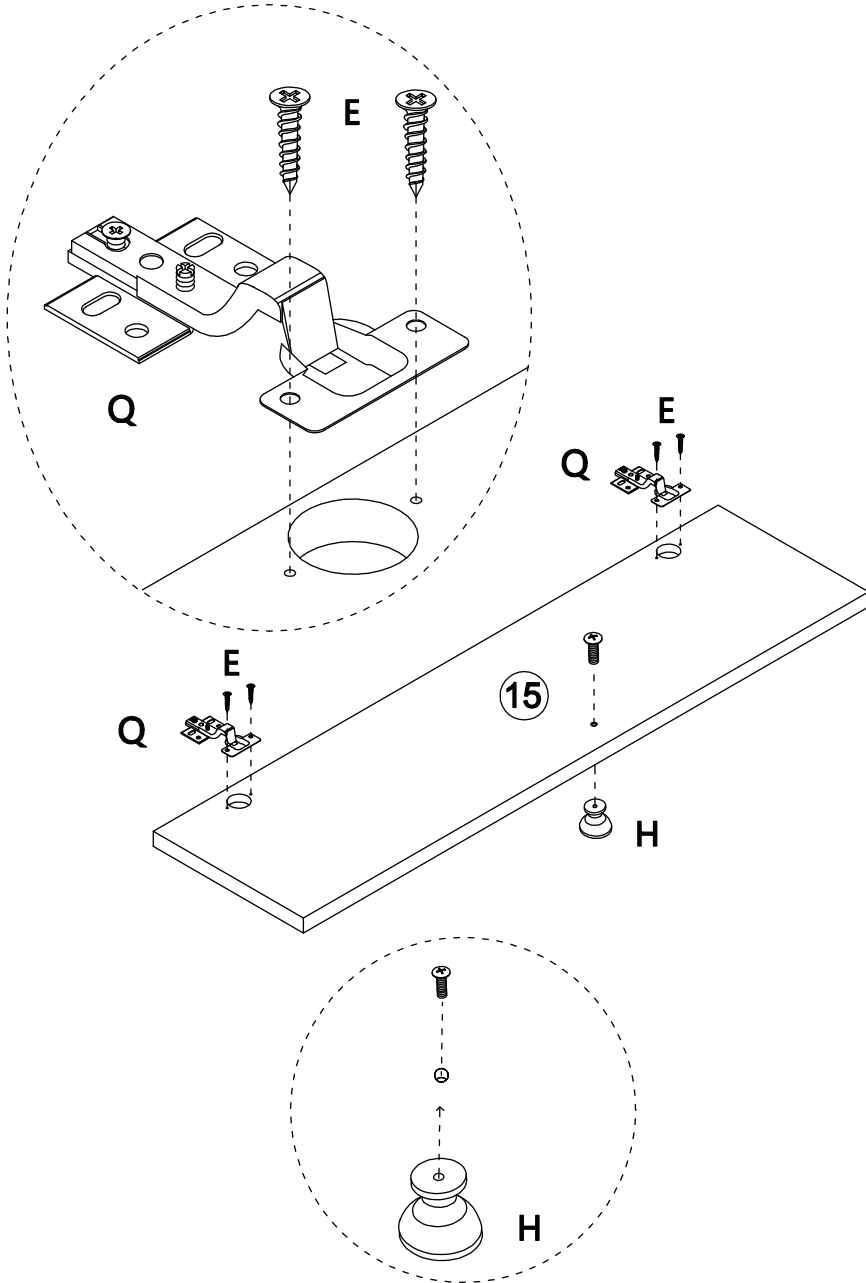
Step 15


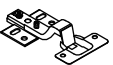



Step 16

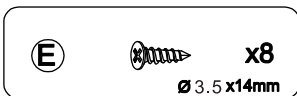
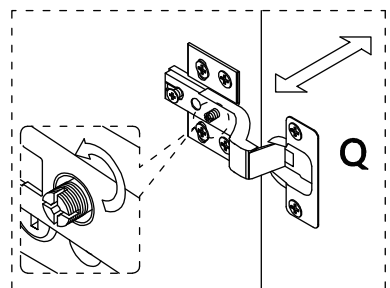
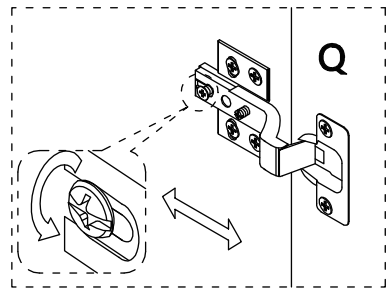
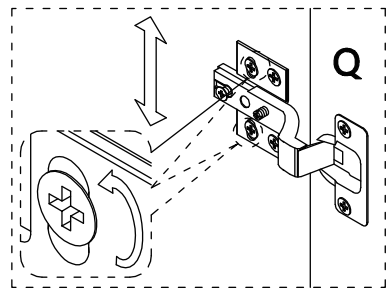
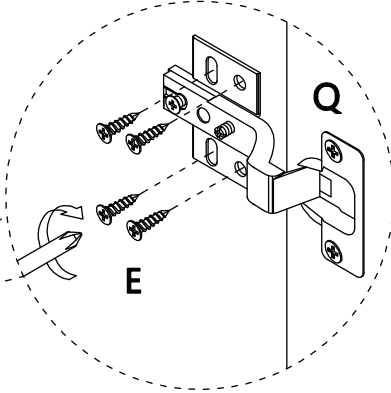
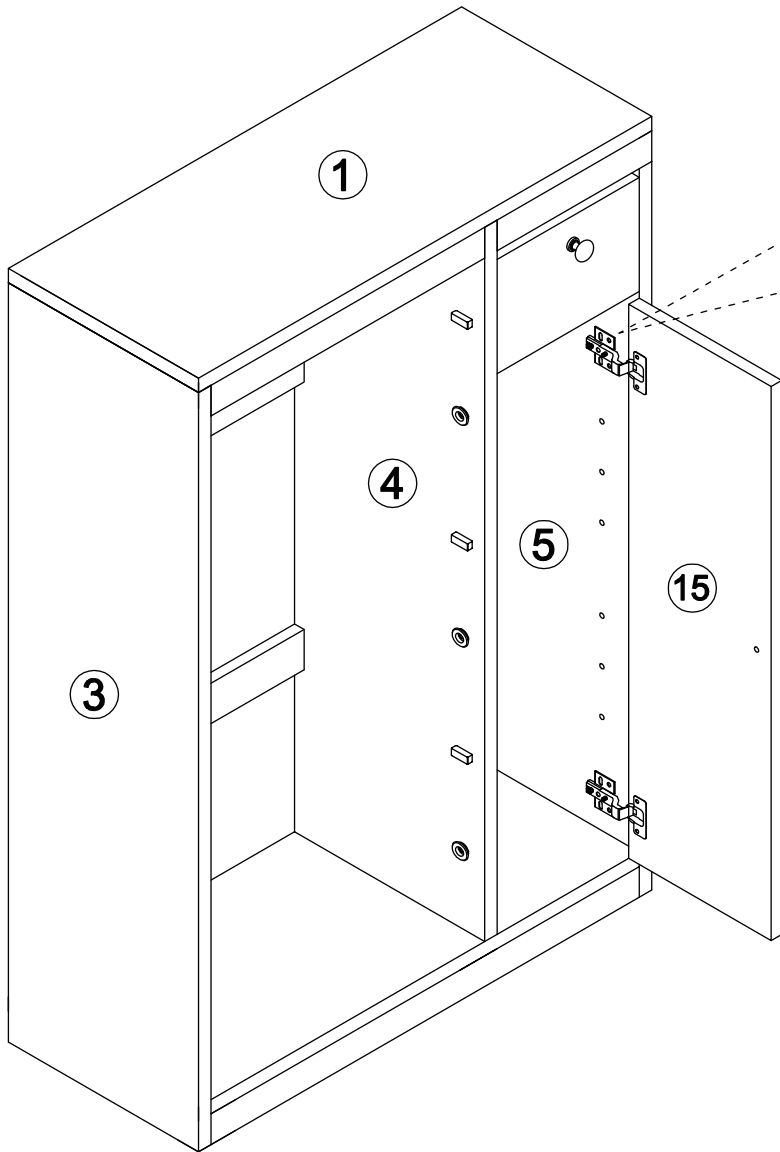


Step 17

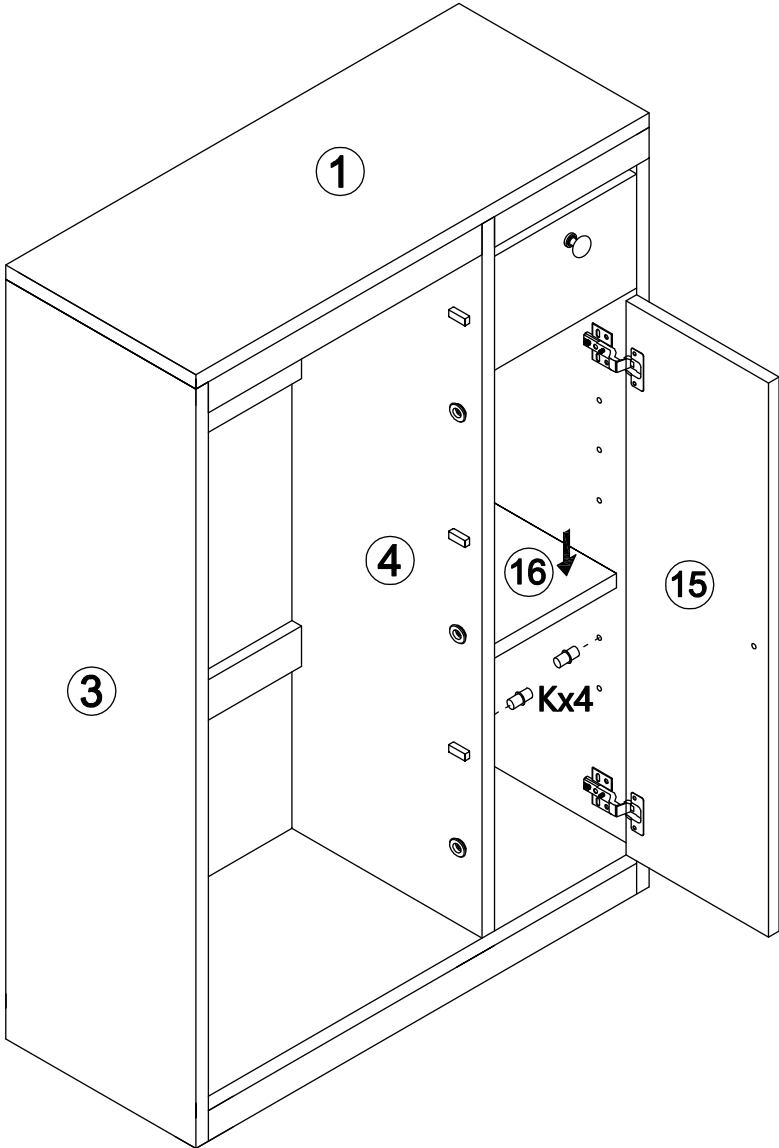



- E**  **x4**
Ø3.5x14mm
- Q**  **x2**
- H**  **x1**
Ø4x20mm

Step 18

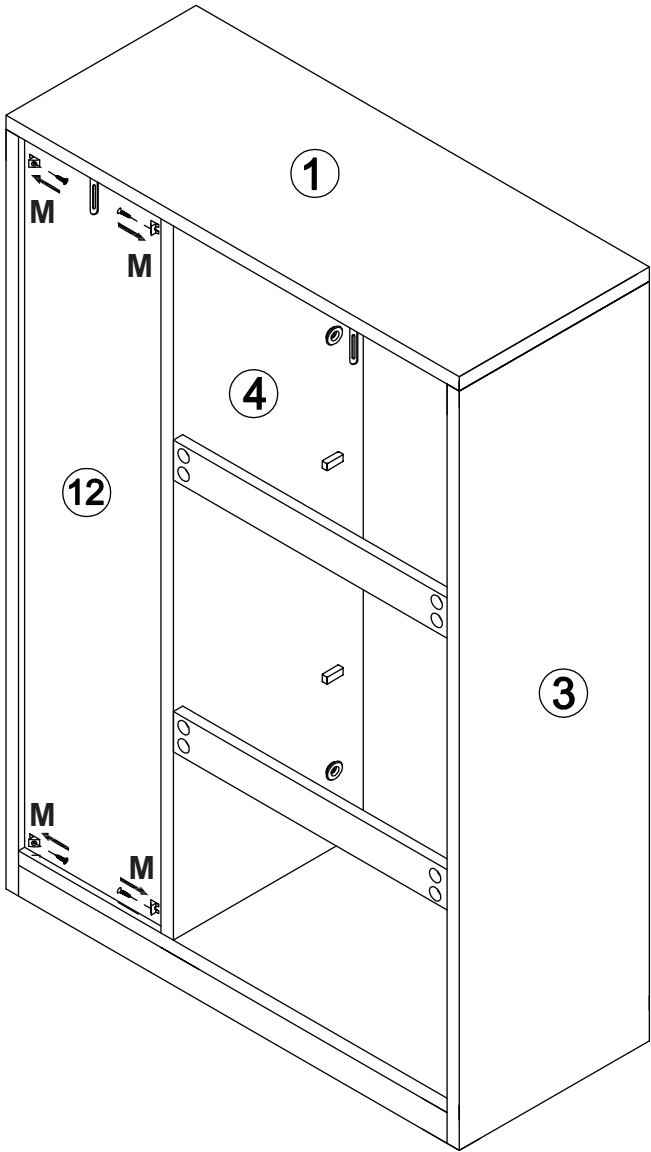
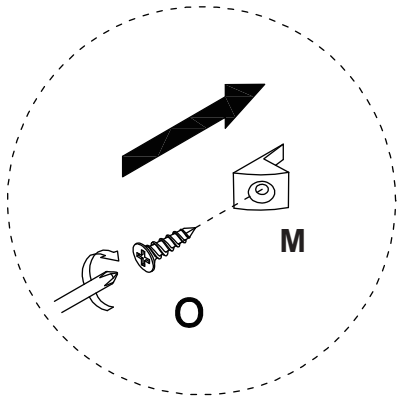



Step 19



K  **x4**

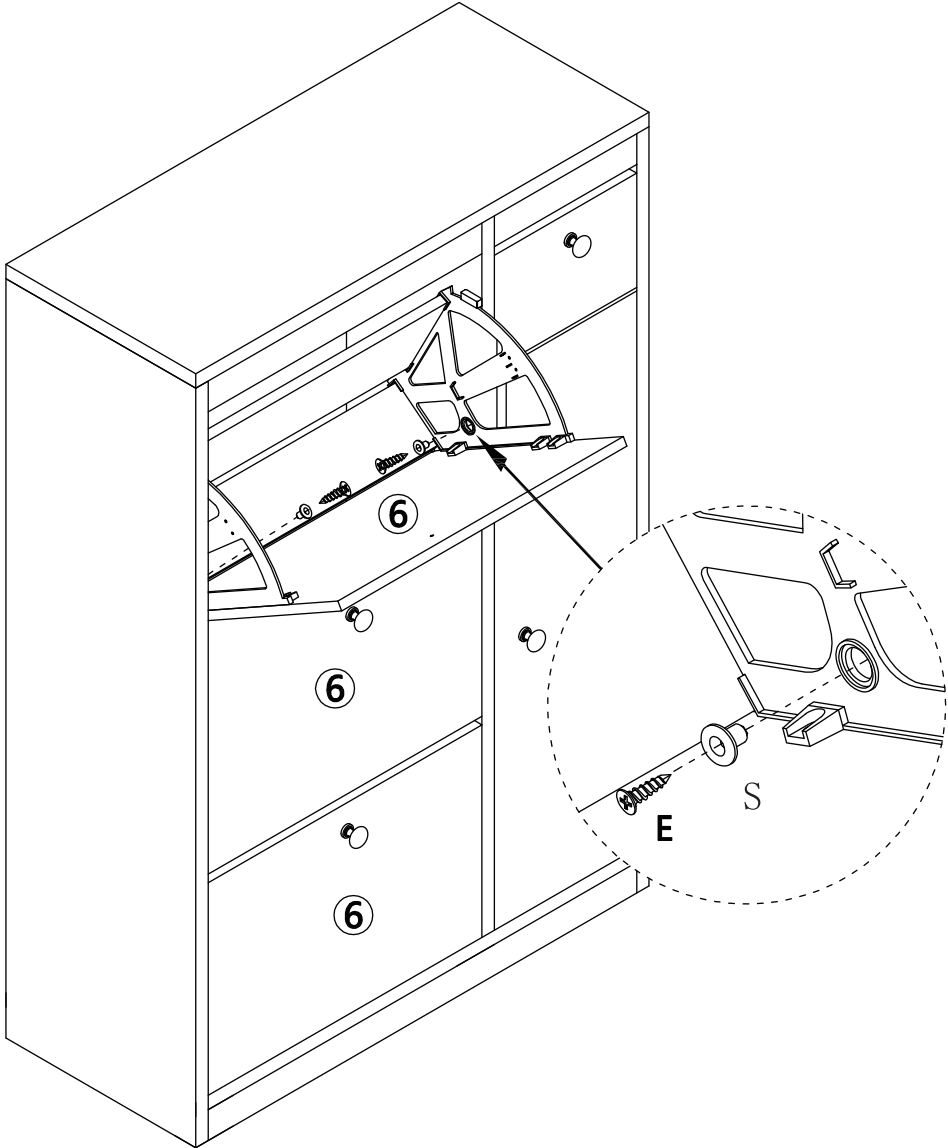
Step 20




○		x4
$\varnothing 3 \times 14 \text{ mm}$		

Ⓜ		x4
---	---	----

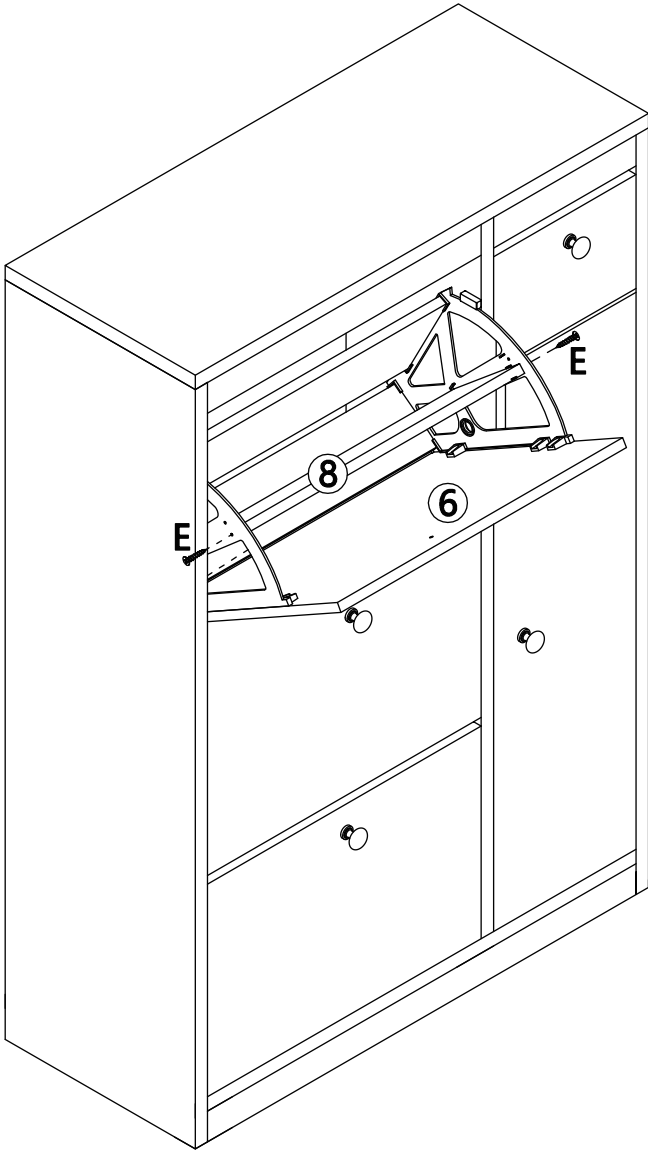
Step 21

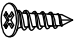


S		x6
---	---	----

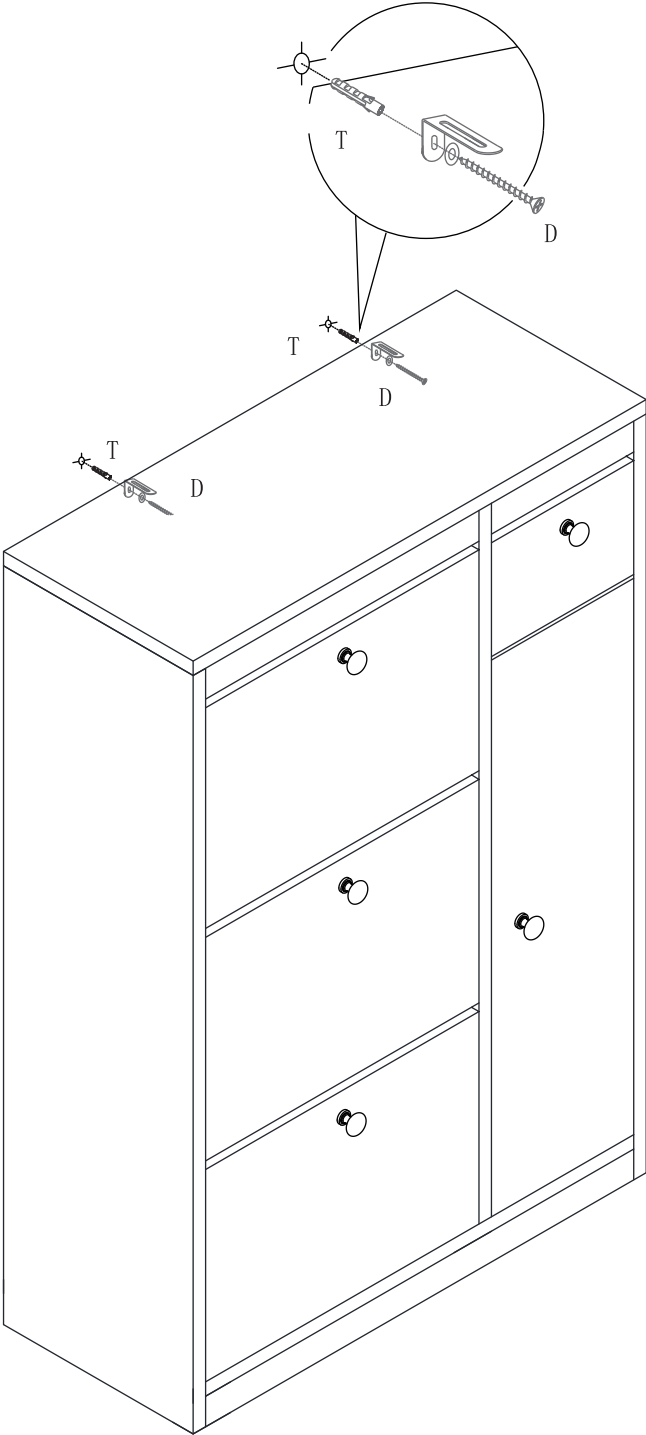
E		x6
Ø3.5x14mm		

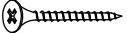
Step 22



E  **x6**
Ø3.5x14mm

Step 23



D		x2
		Ø4x40mm

T		x2
---	---	----