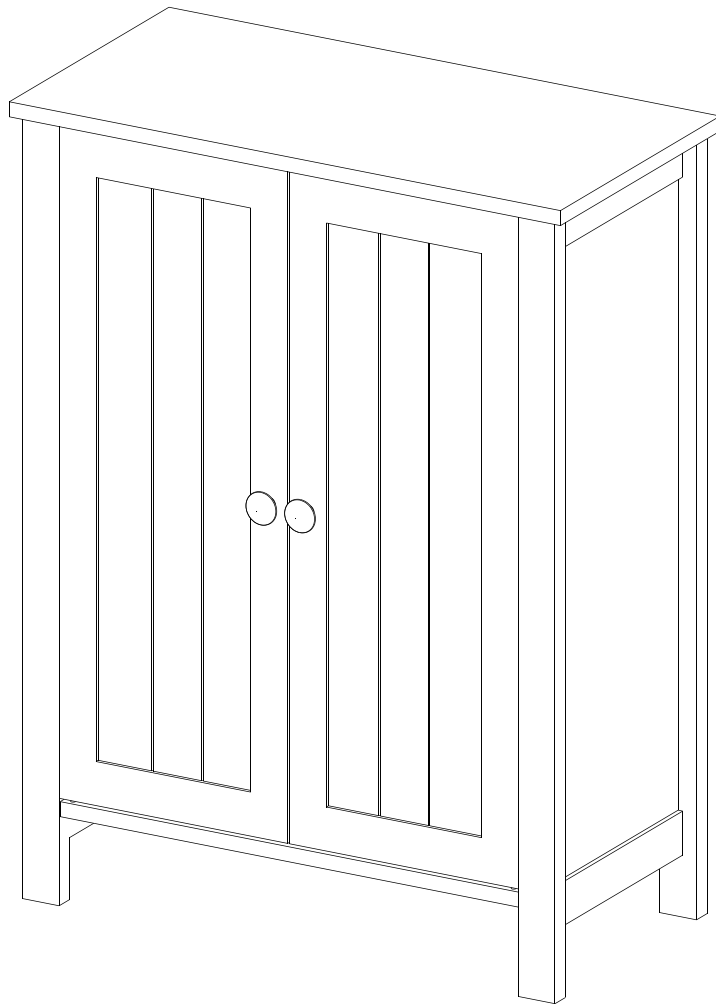


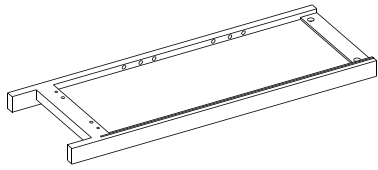
ASSEMBLY INSTRUCTIONS

<<Before assembling, read all the instruction>>

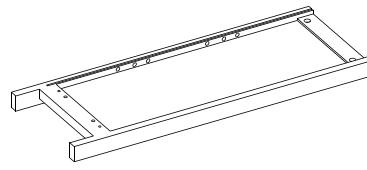


A

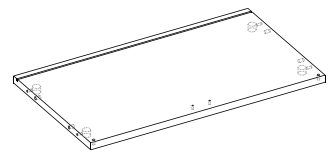
× 1

**B**

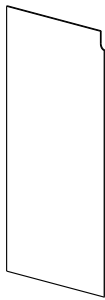
× 1

**C**

× 1

**D**

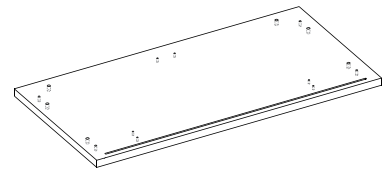
× 2

**E**

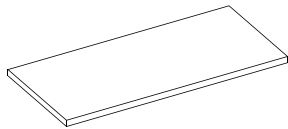
× 1

**F**

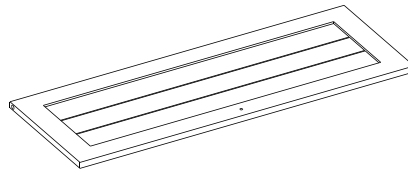
× 1

**G**

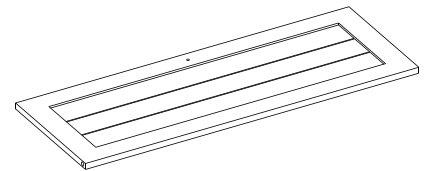
× 2

**H**

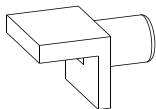
× 1

**I**

× 1

**K**

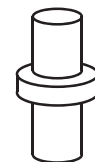
8+1

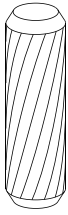
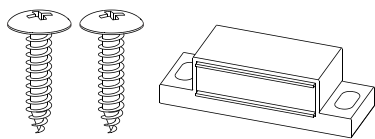
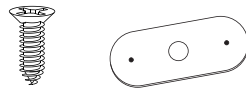
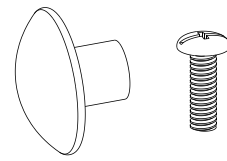
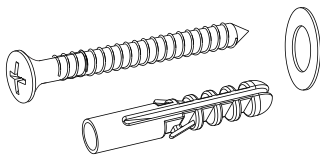
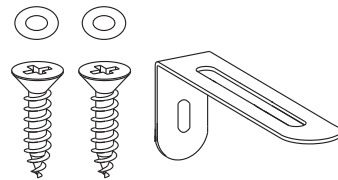
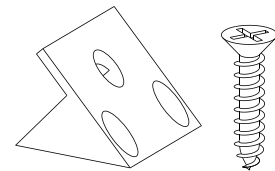
**N**

× 2

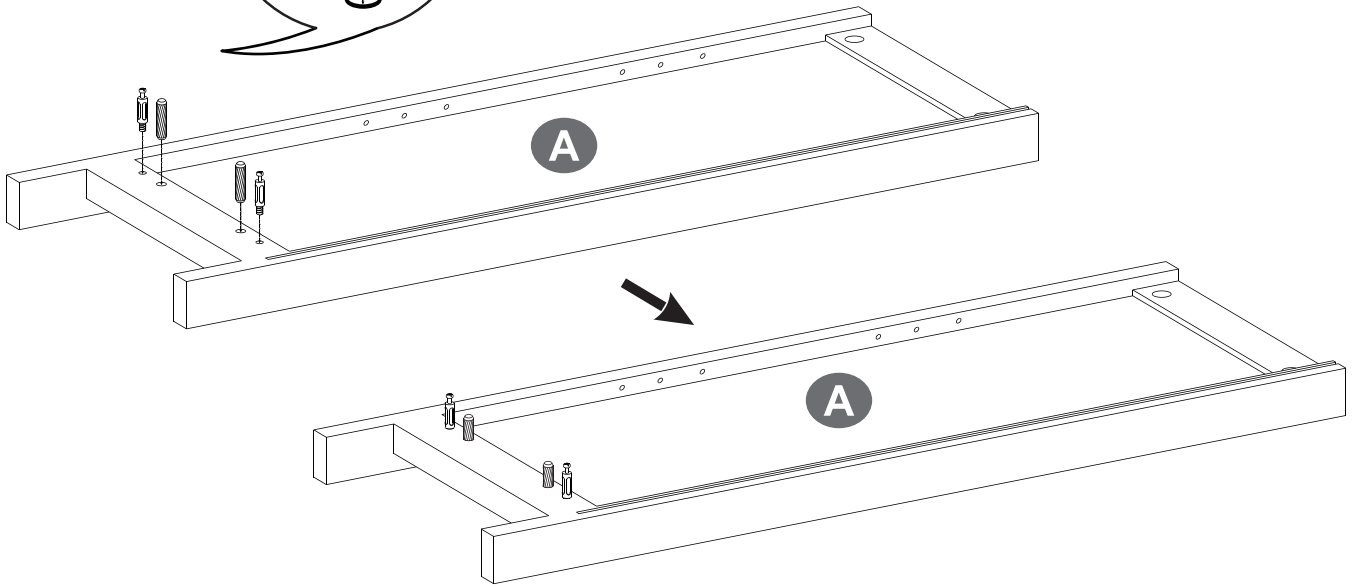
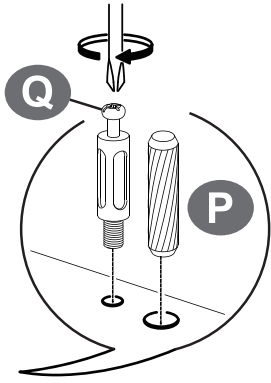
**O**

× 2



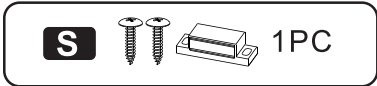
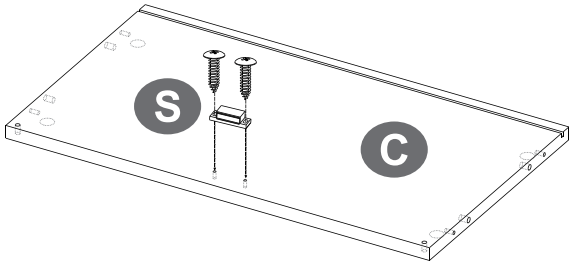
P**8+1****Q****8+1****R****8+1****S****× 2****T****× 4****U****× 2****V****× 1****W****× 1****X****8+1**

1

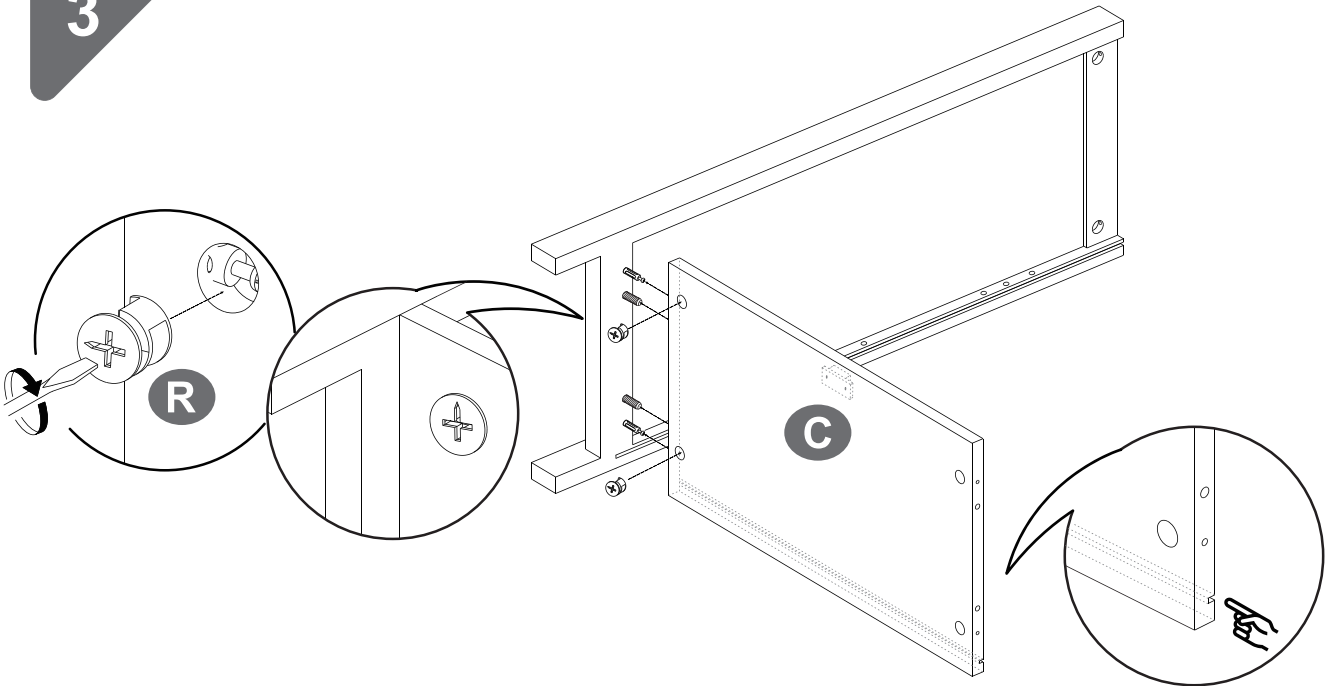


P		2PCS
Q		2PCS

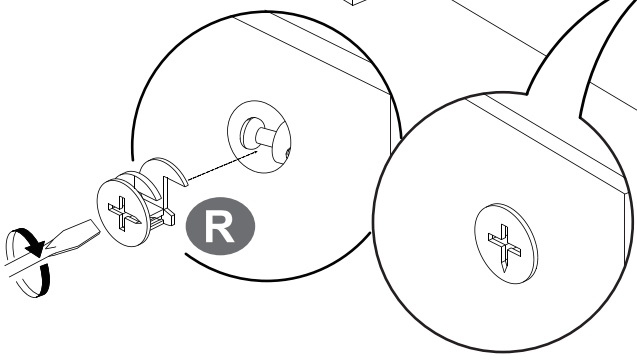
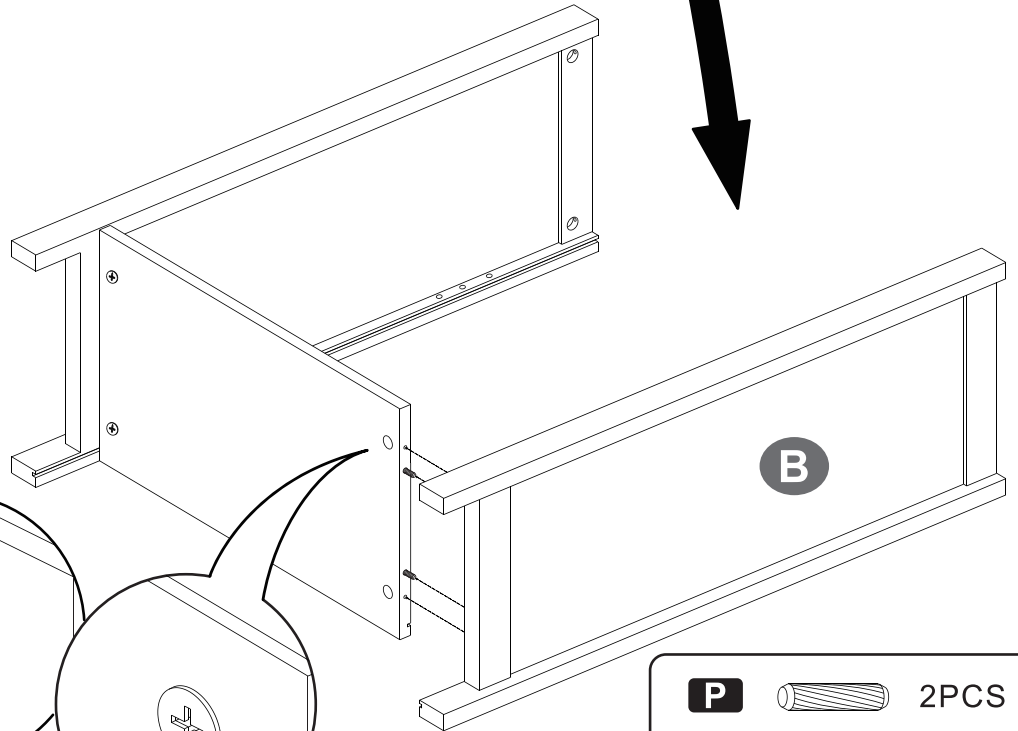
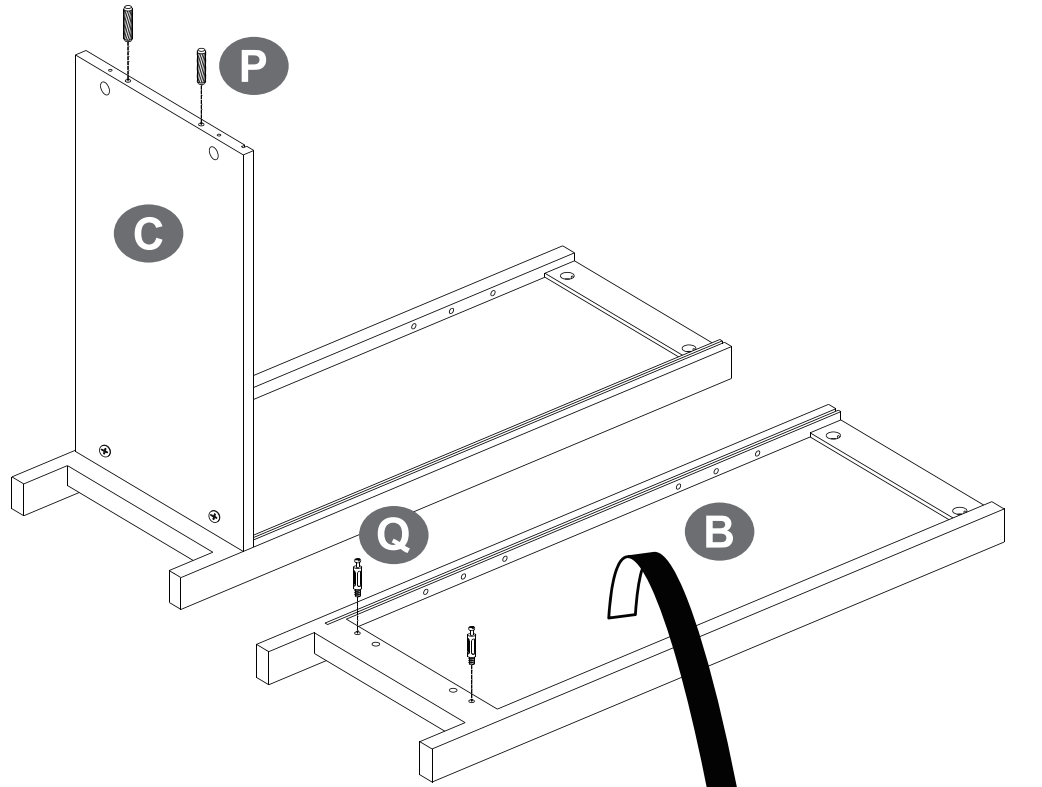
2






3

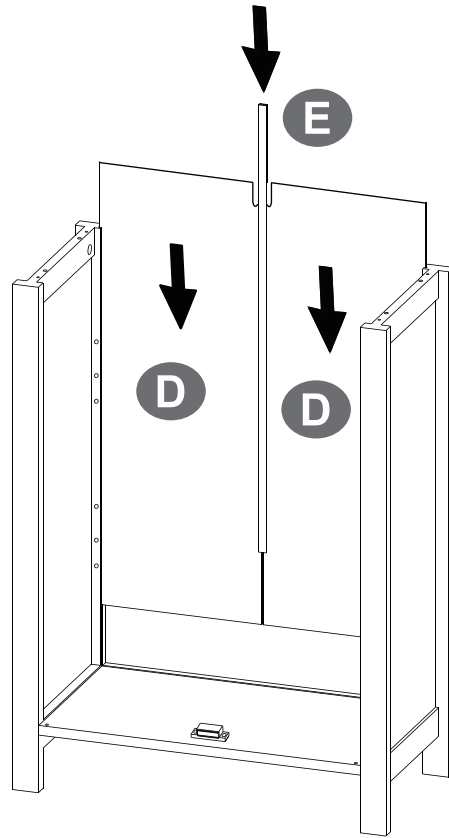


4

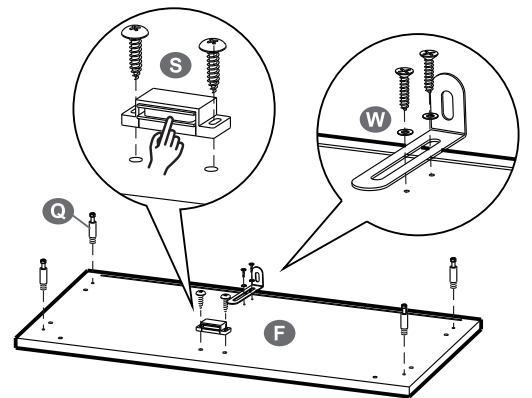
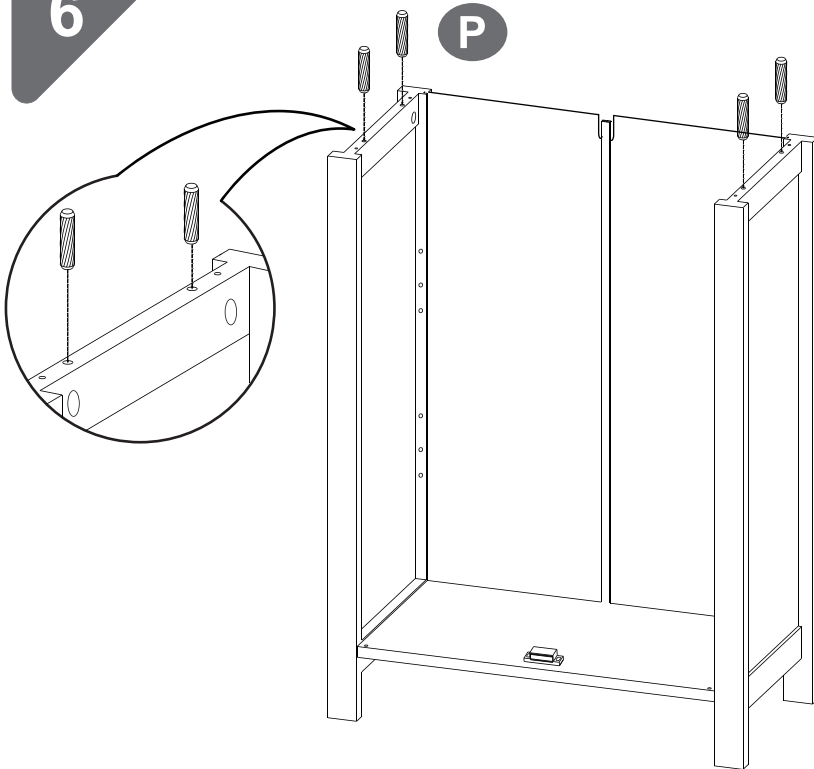




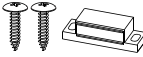

P		2PCS
Q		2PCS
R		2PCS

5

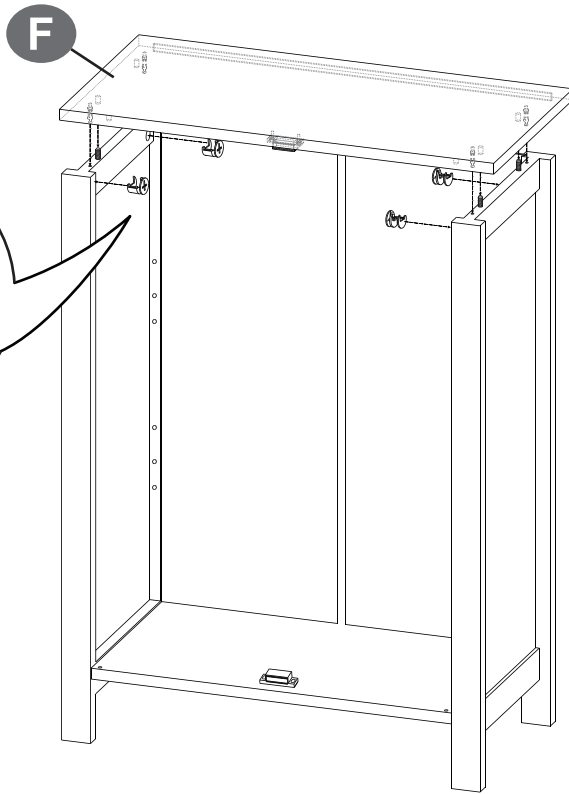
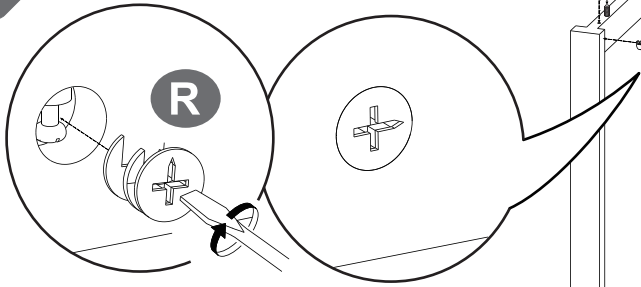


6



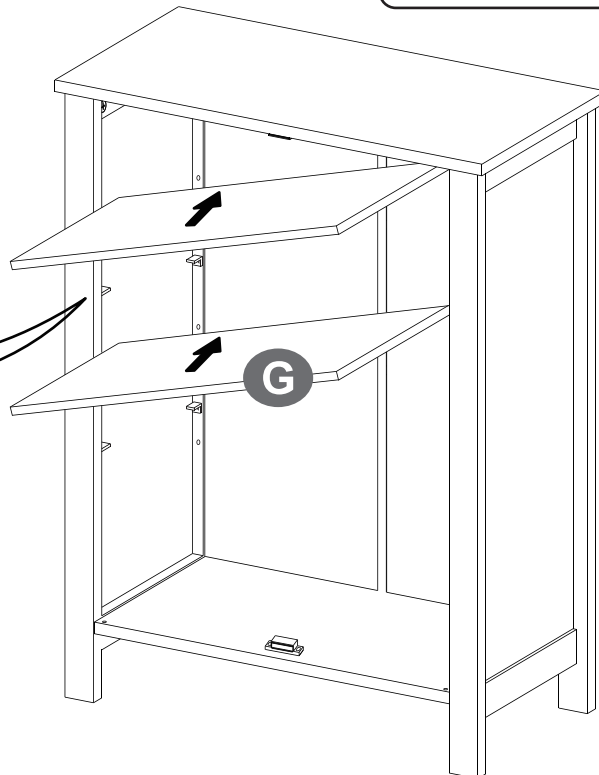
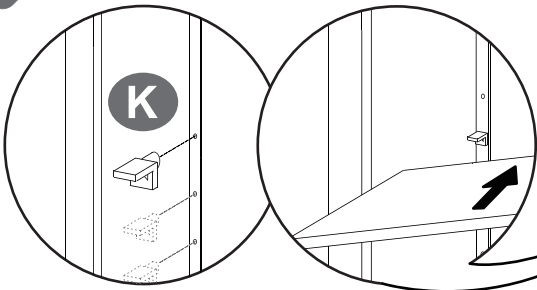
P		4PCS
Q		4PCS
S		1PC
W		1PCS


7



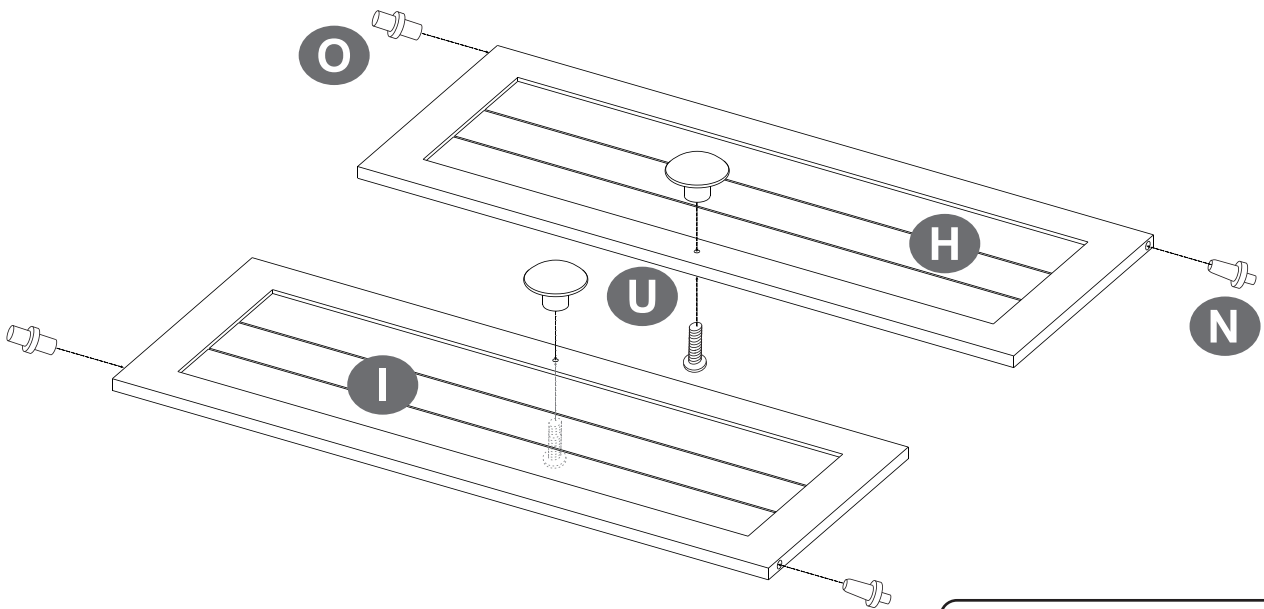
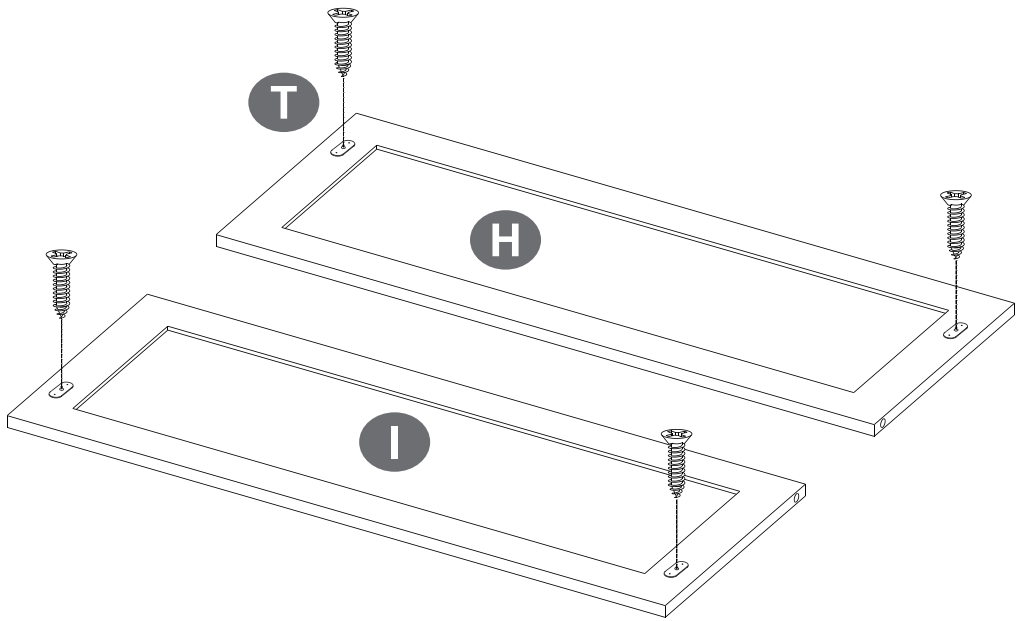
R  4PCS


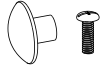
8



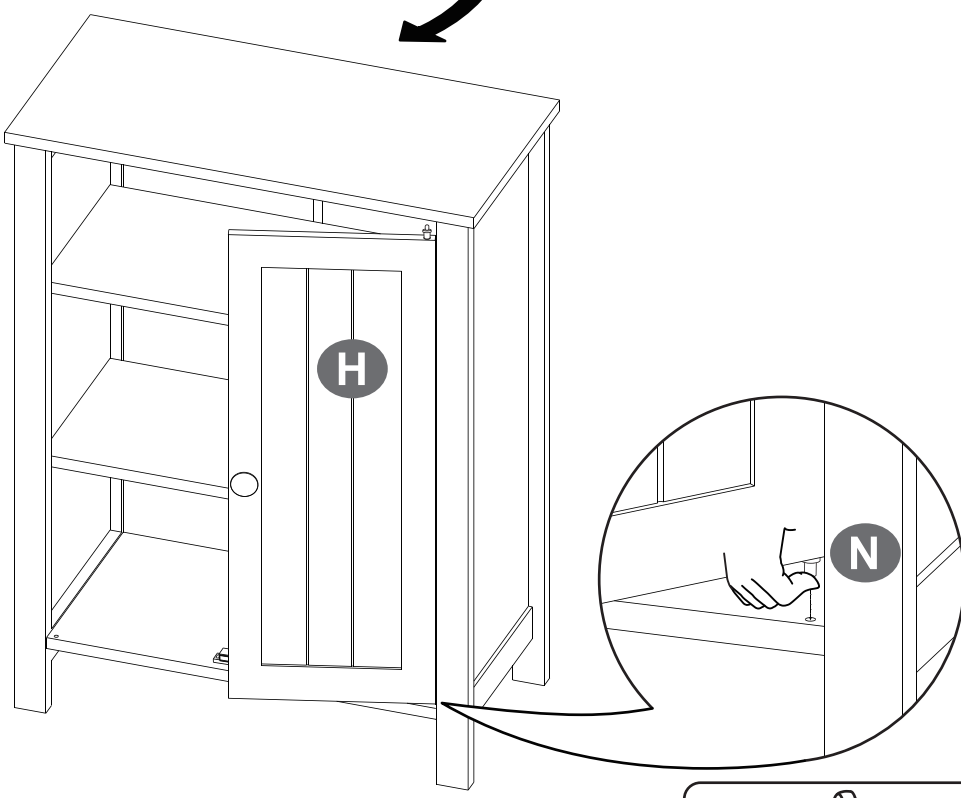
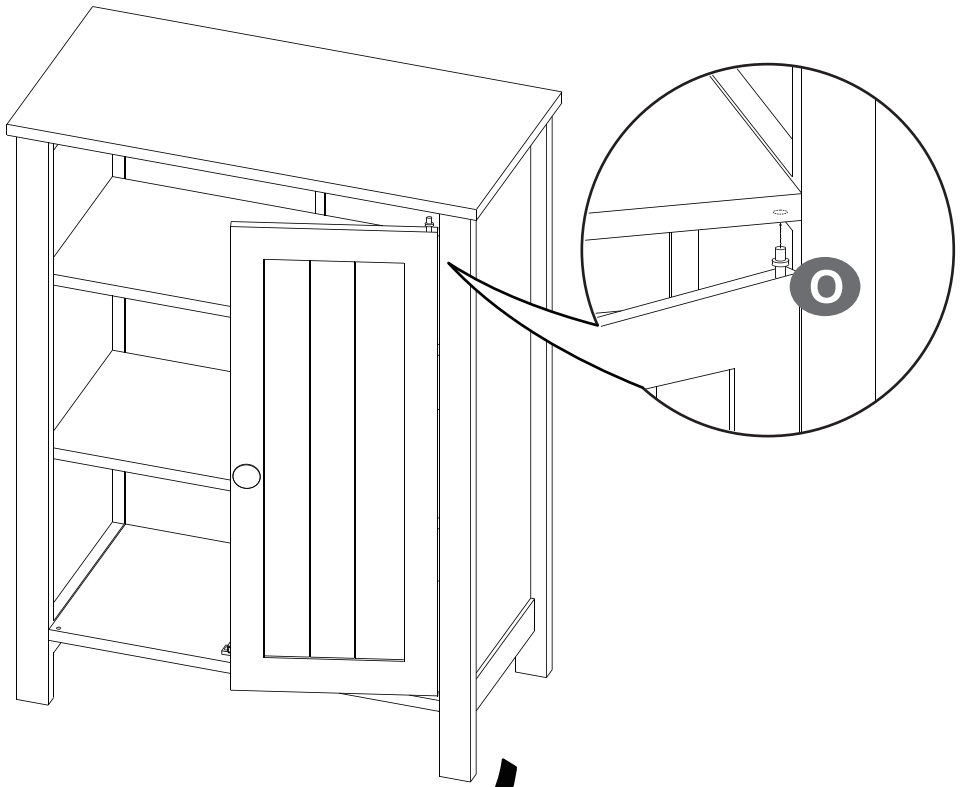
K  8PCS

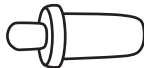

9



T		4PCS
U		2PCS

10

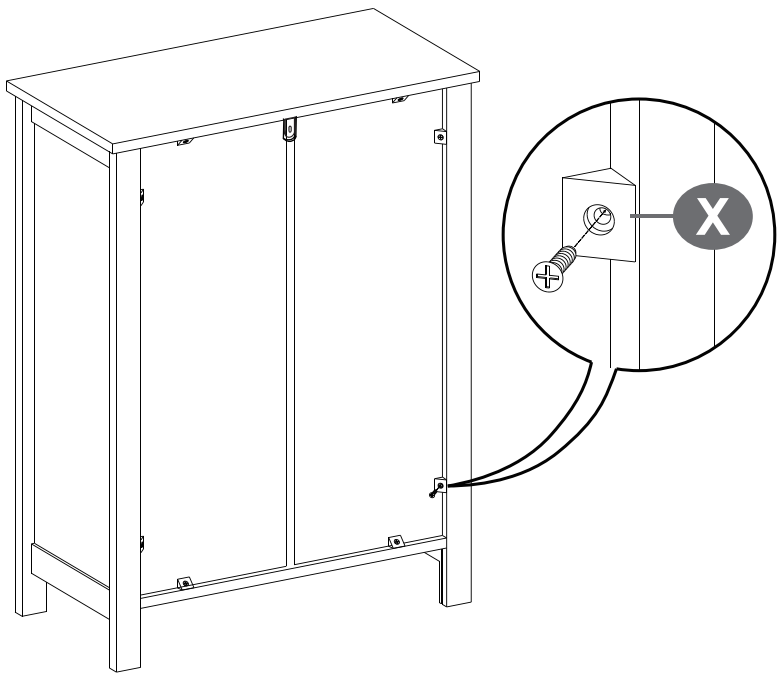


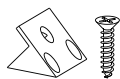
- N**  2PCS
- O**  2PCS

11



12



X  8PCS

13

