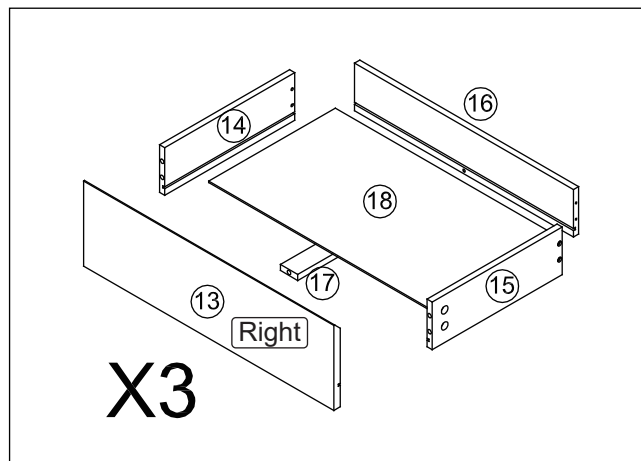
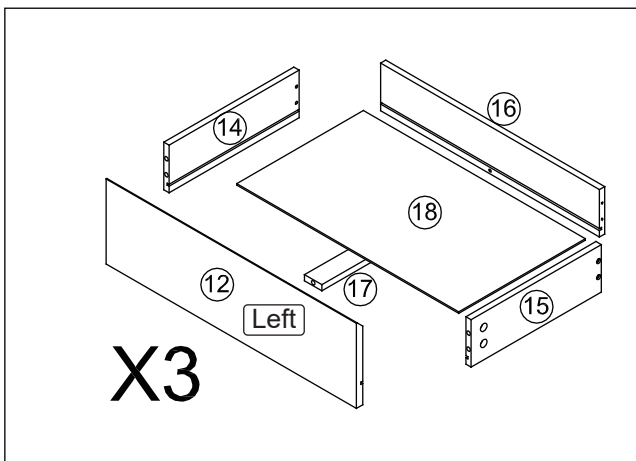
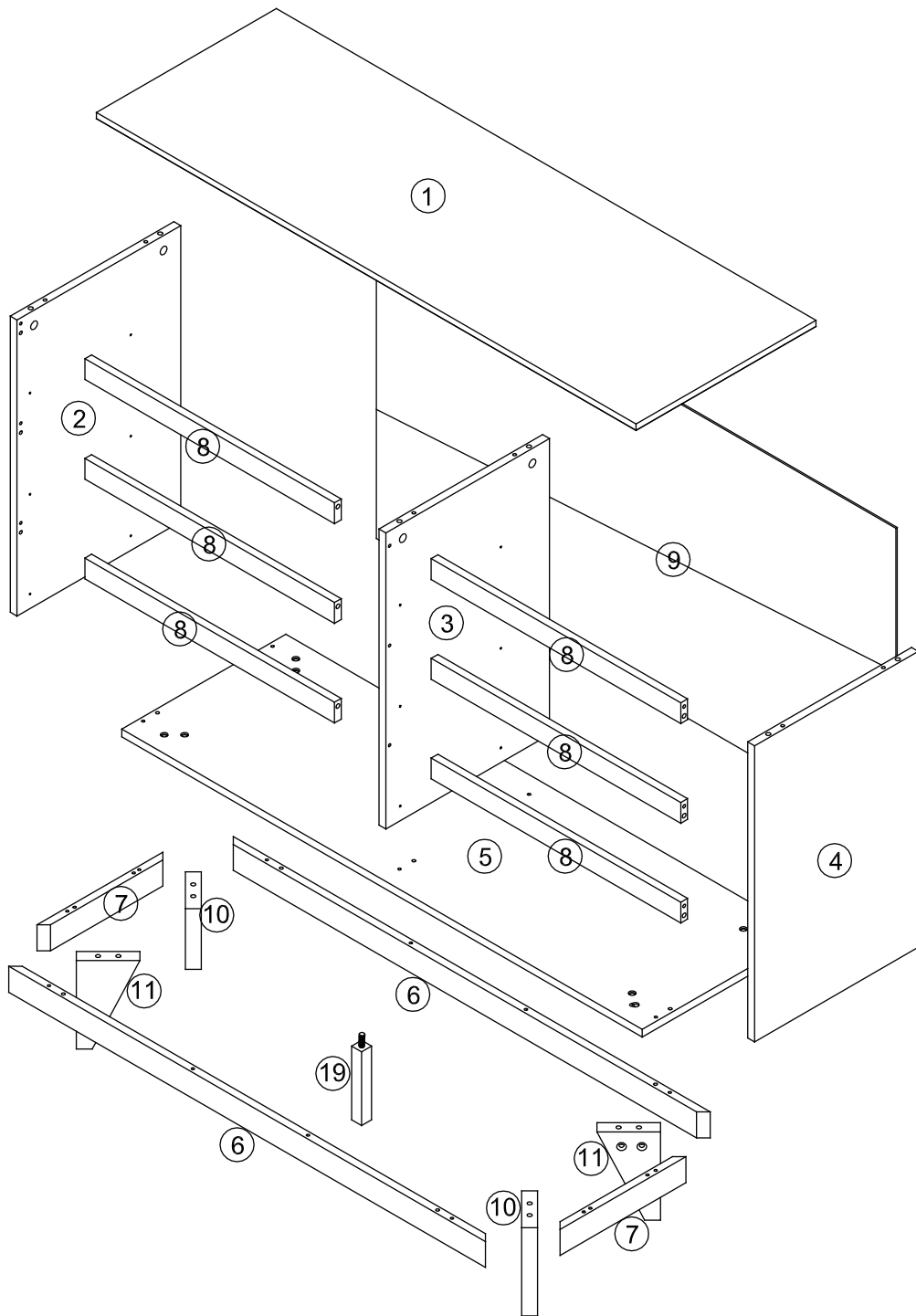
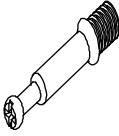

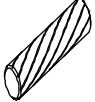
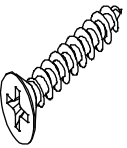
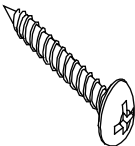

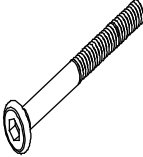

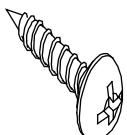
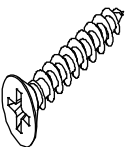
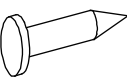


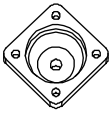
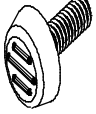
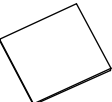

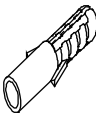
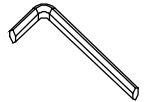
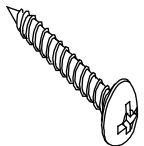



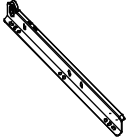
ASSEMBLY INSTRUCTIONS

<<Before assembling, read all the instruction>>

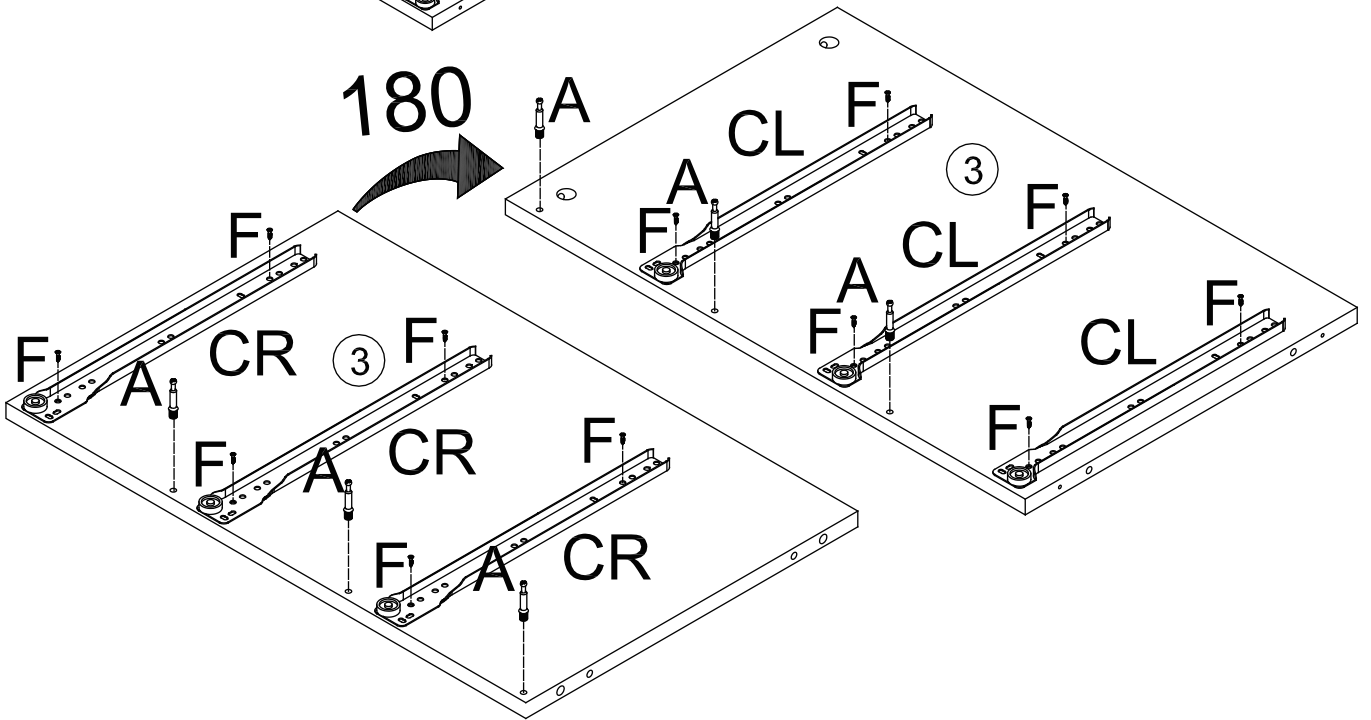
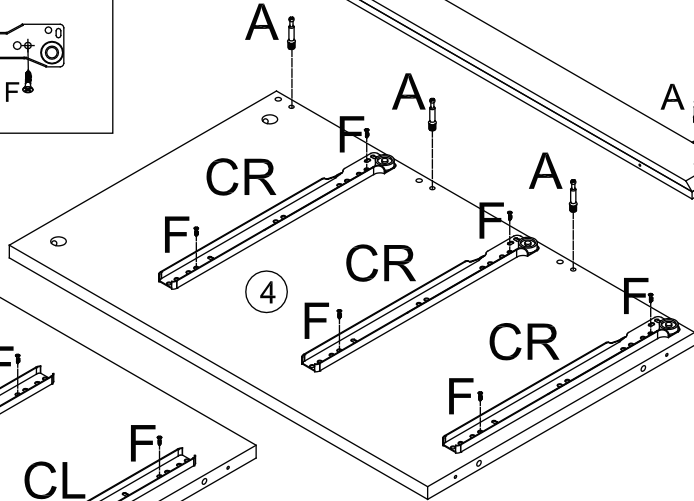
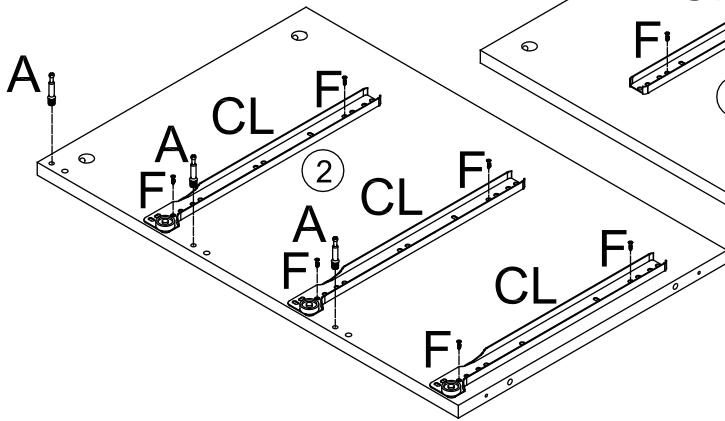
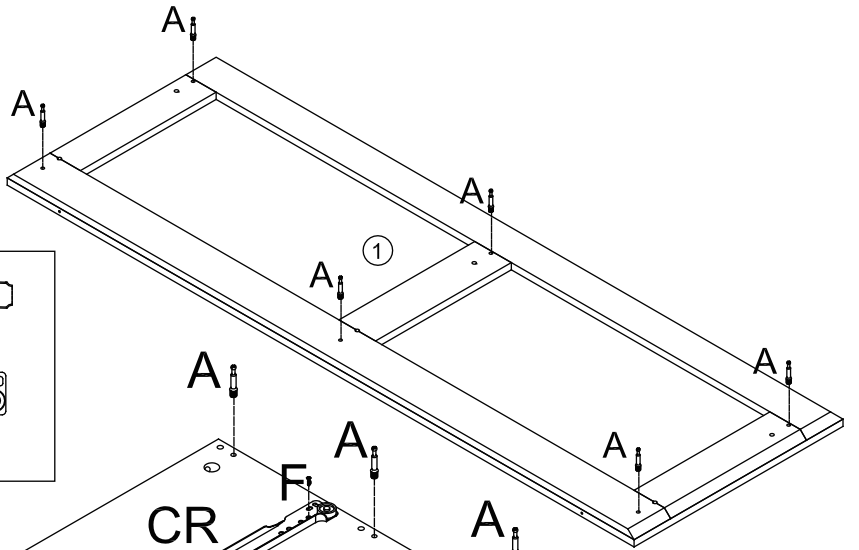
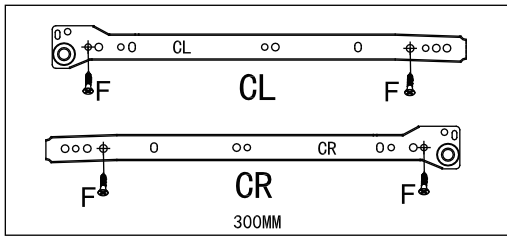








A	 M6x35	48PCS
B	 φ15x10	48PCS
C	 φ6x30	26PCS
D	 M4x40	6PCS
E	 M4x30	12PCS
F	 M3x12	48PCS
G	 M6x 50	8PCS
H		8PCS
I	 M4x12	6PCS
J	 M4x30	30PCS
K		30PCS

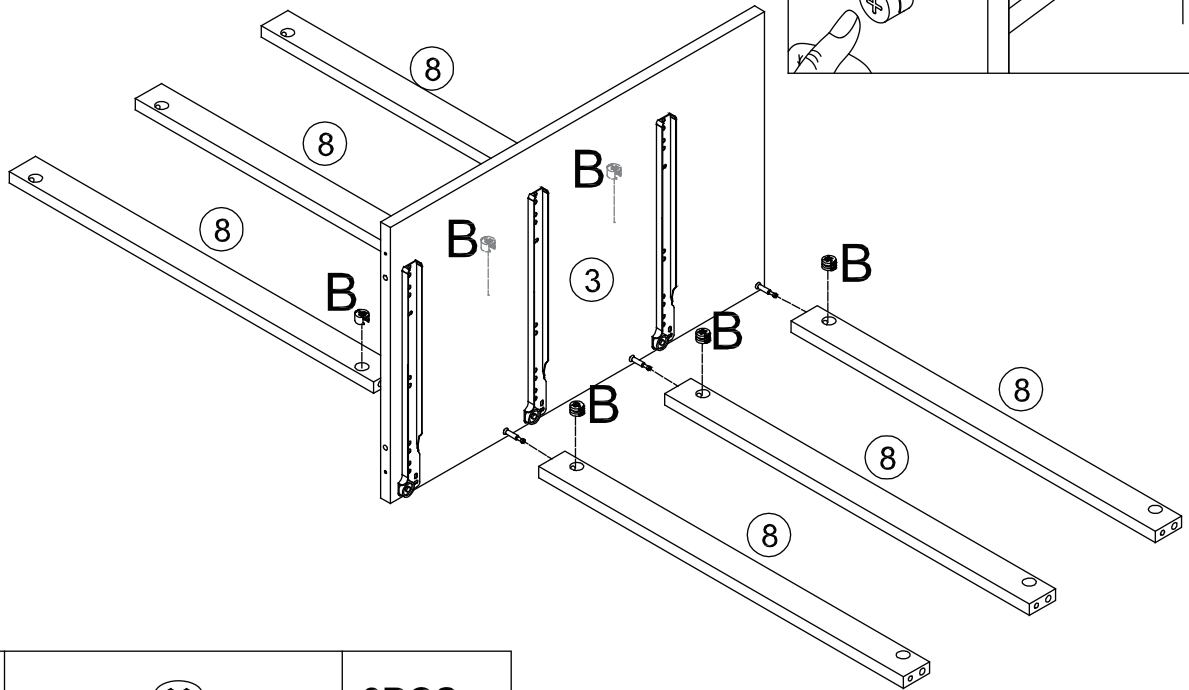
L		1PC
M		1PC
N		4PCS
O		2PCS
P		2PCS
Q		1PC
R	 M4x35	2PCS
CL	 300MM	6PCS
CR	 300MM	6PCS
DL	 300MM	6PCS
DR	 300MM	6PCS


1



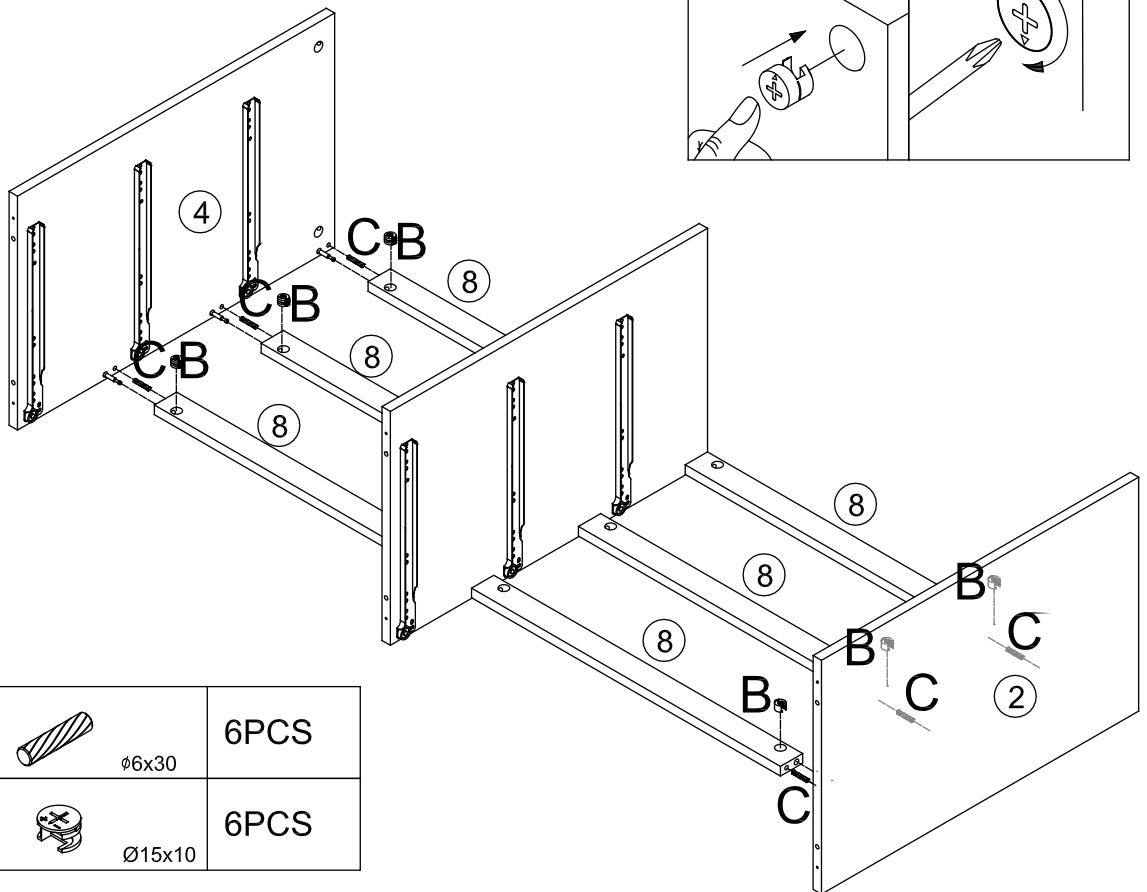
F		M3x12	24PCS	CR		300MM	6PCS
A		M6x35	18PCS	CL		300MM	6PCS



2



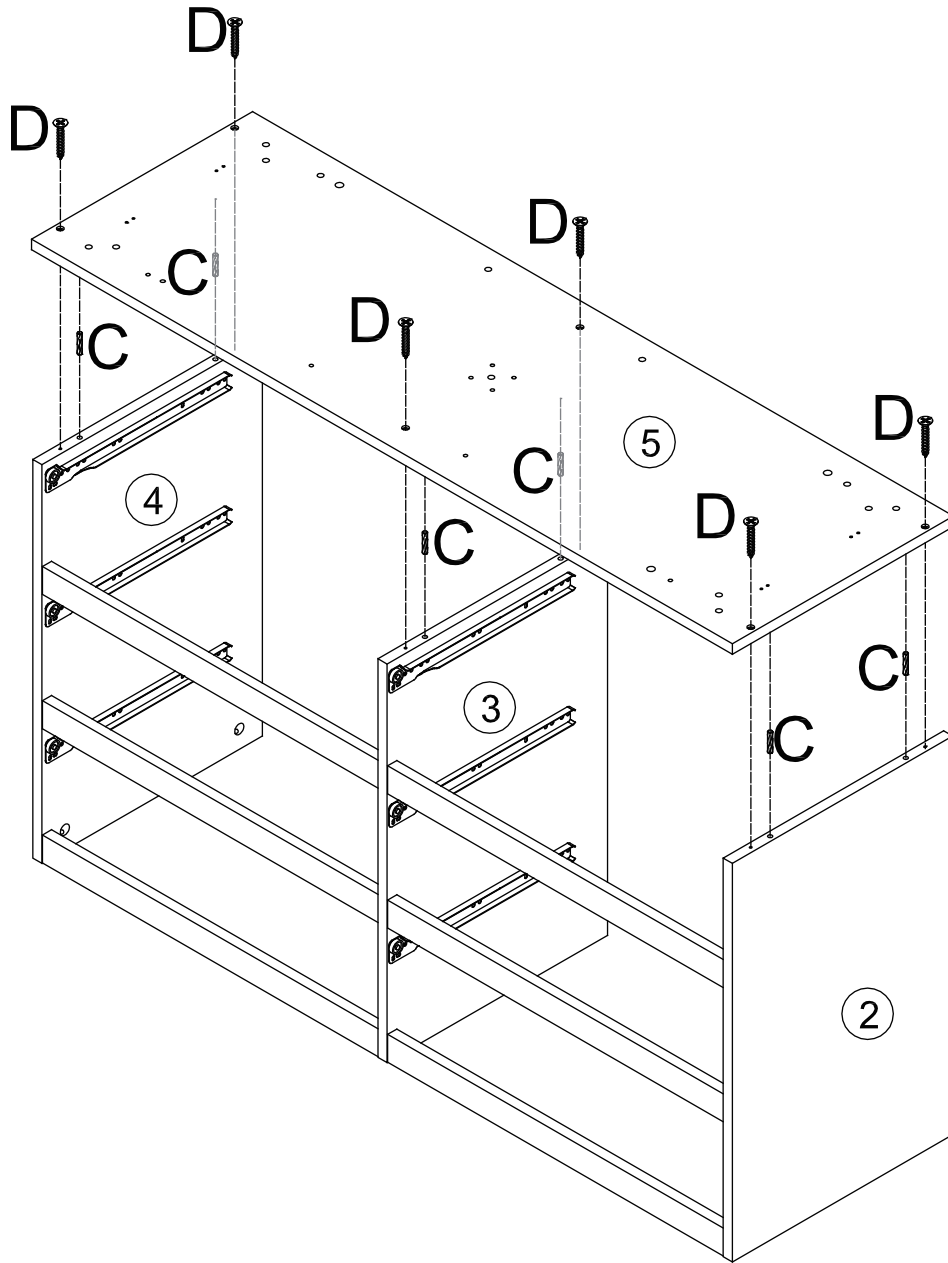
B	 $\varnothing 15 \times 10$	6PCS
---	--	------


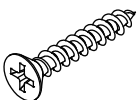
3



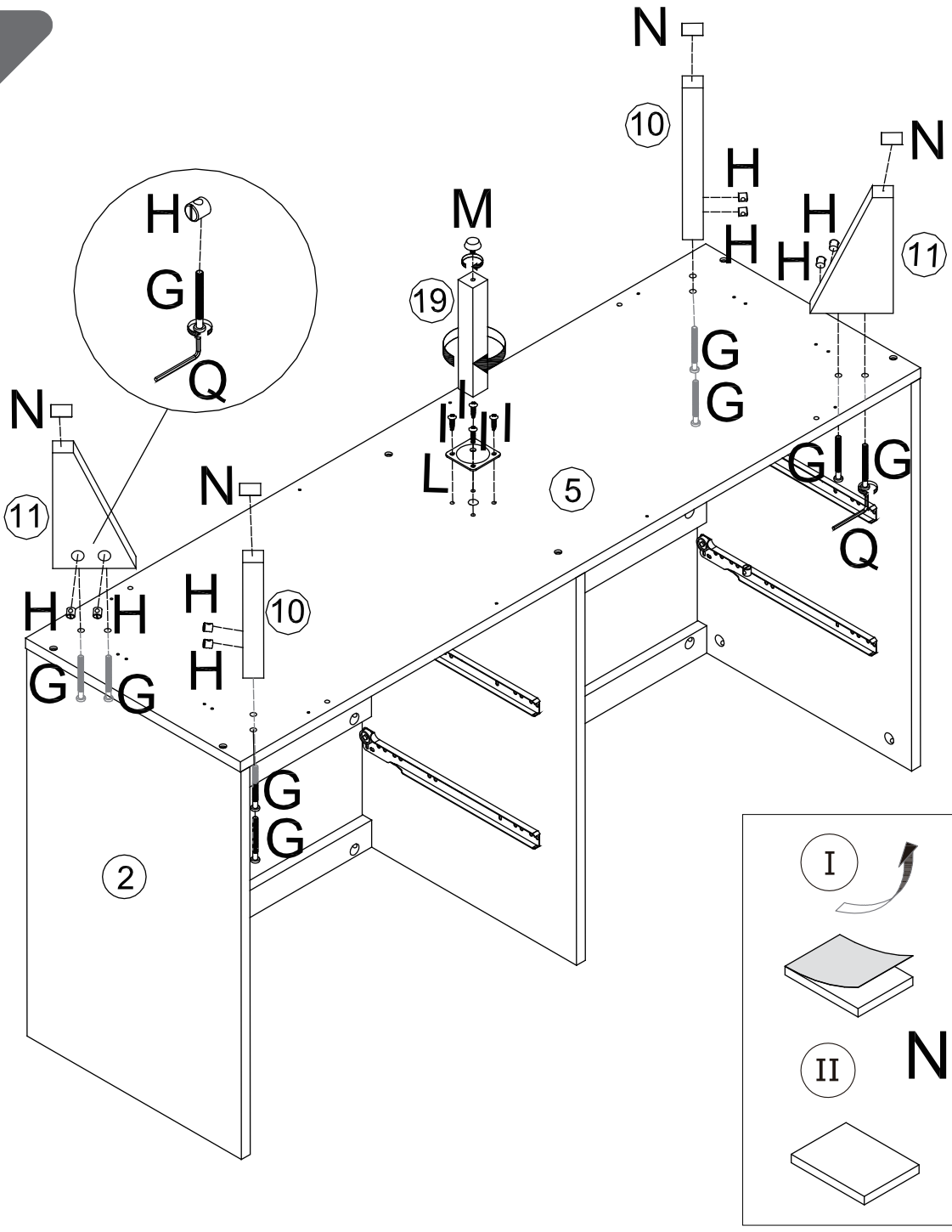
C	 $\varnothing 6 \times 30$	6PCS
B	 $\varnothing 15 \times 10$	6PCS

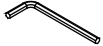
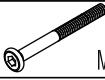

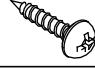



4



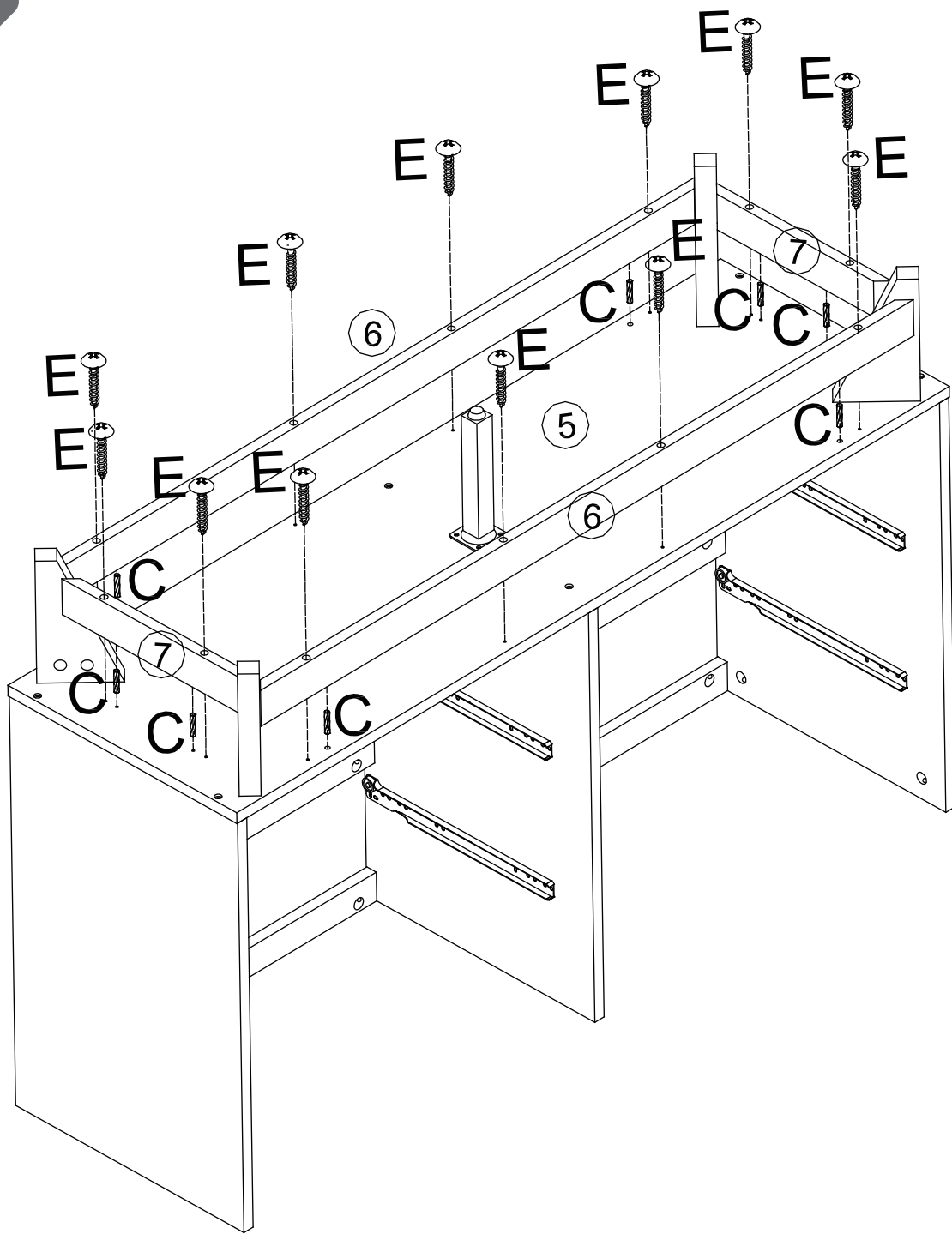
C	 $\phi 6 \times 30$	6PCS
D	 M4x40	6PCS



5



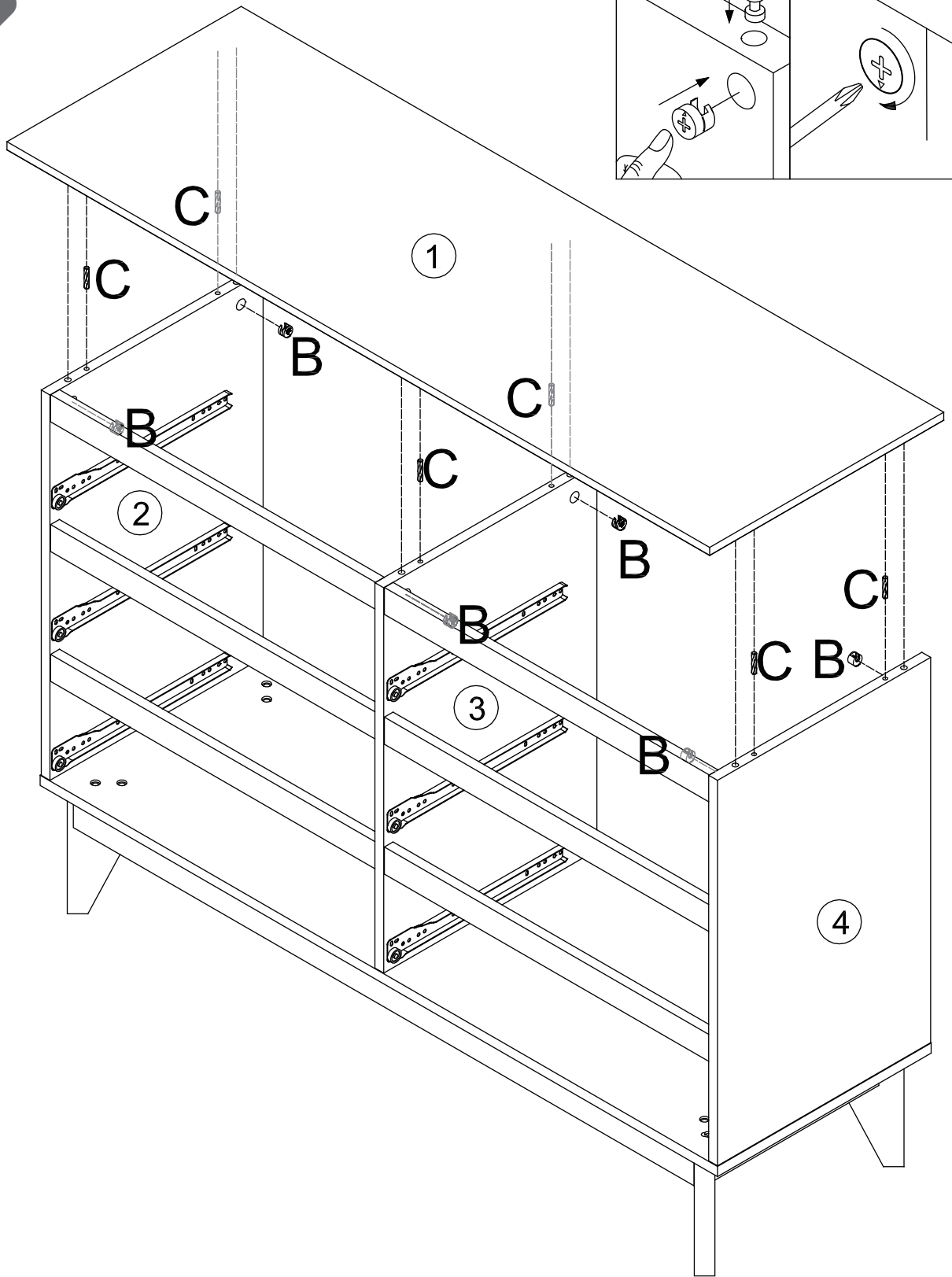
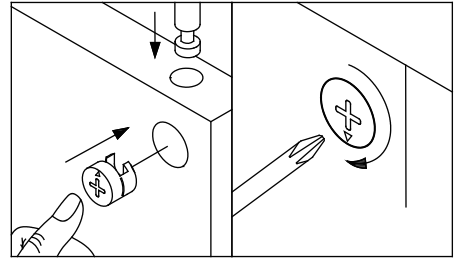
Q		1PC						
G	 M6x50	8PCS	H		8PCS	I	 M4x12	4PCS
L		1PC	M		1PC	N		4PCS



6



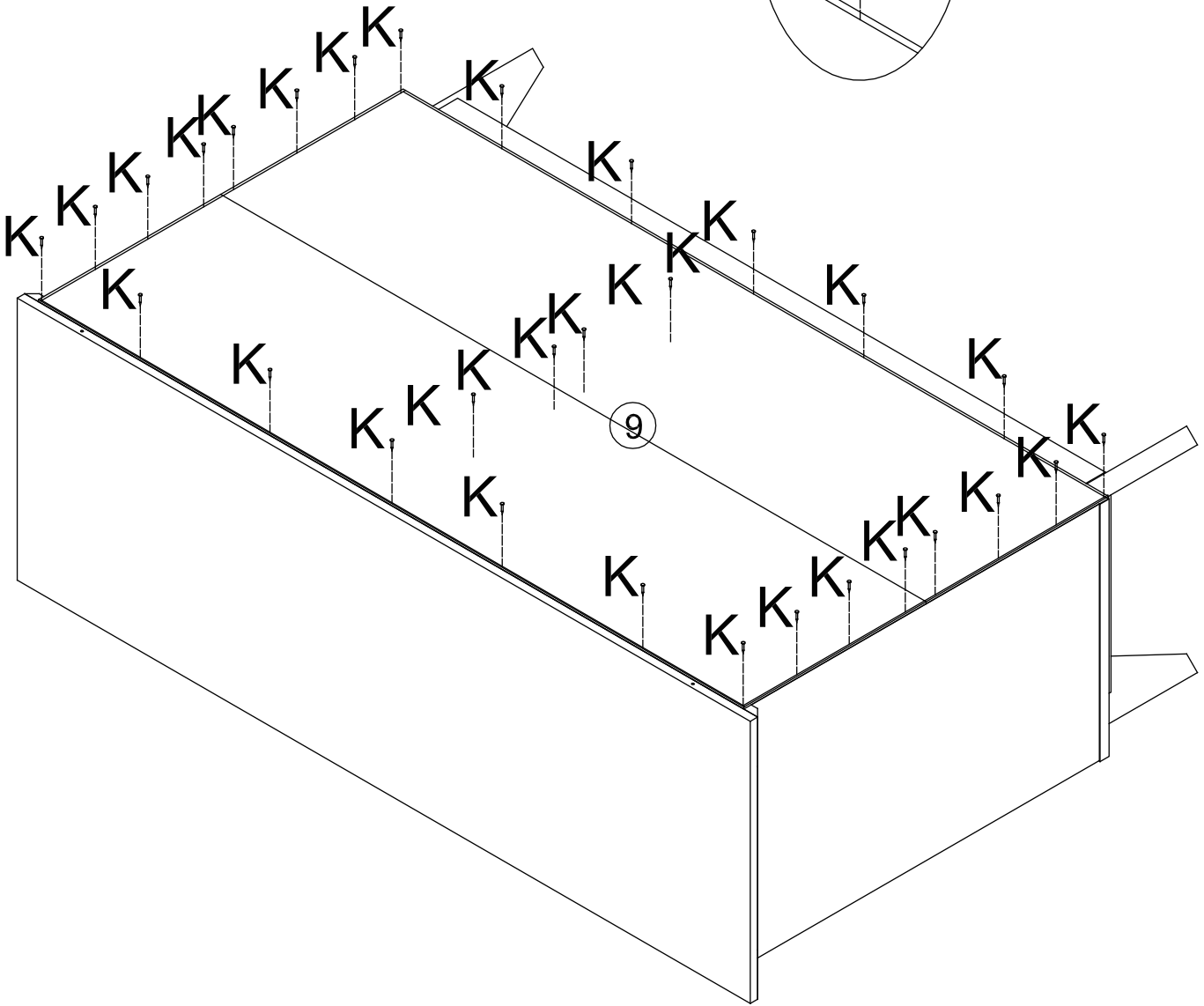
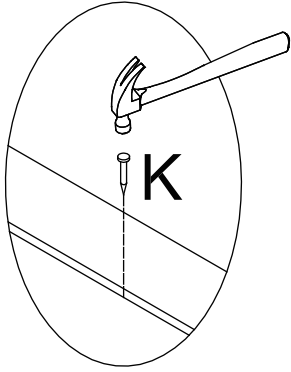
C	 $\varnothing 6 \times 30$	8PCS
E	 M4x30	12PCS


7



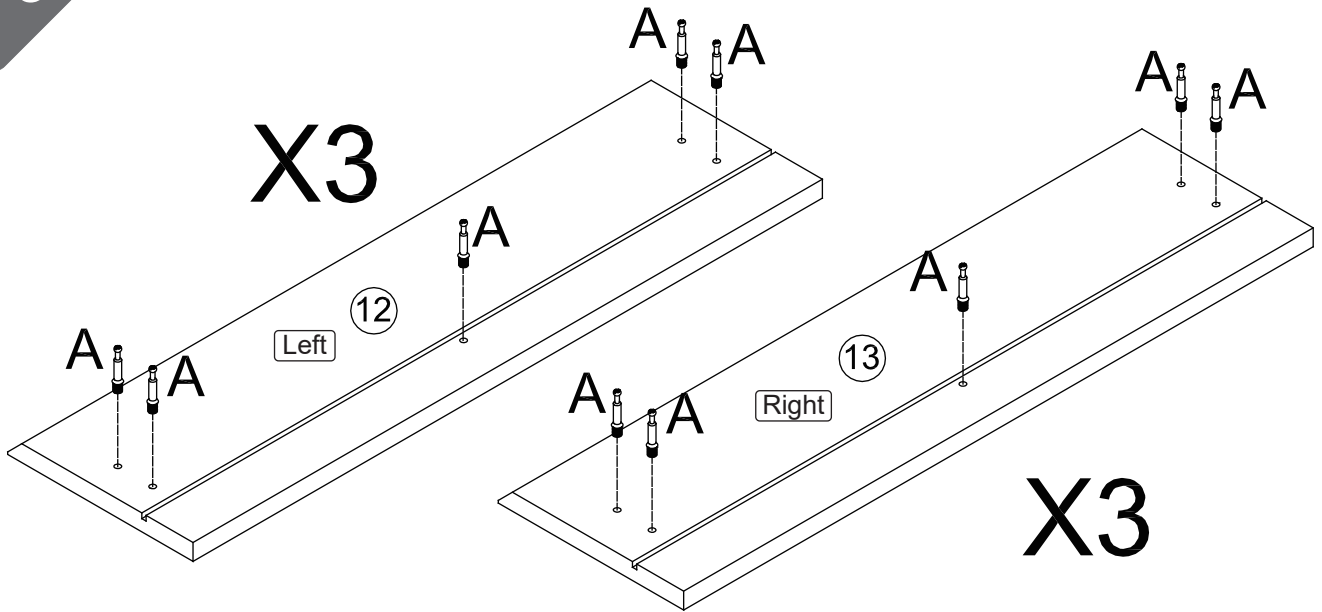
C	 Ø6x30	6PCS
B	 Ø15x10	6PCS

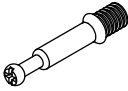
8



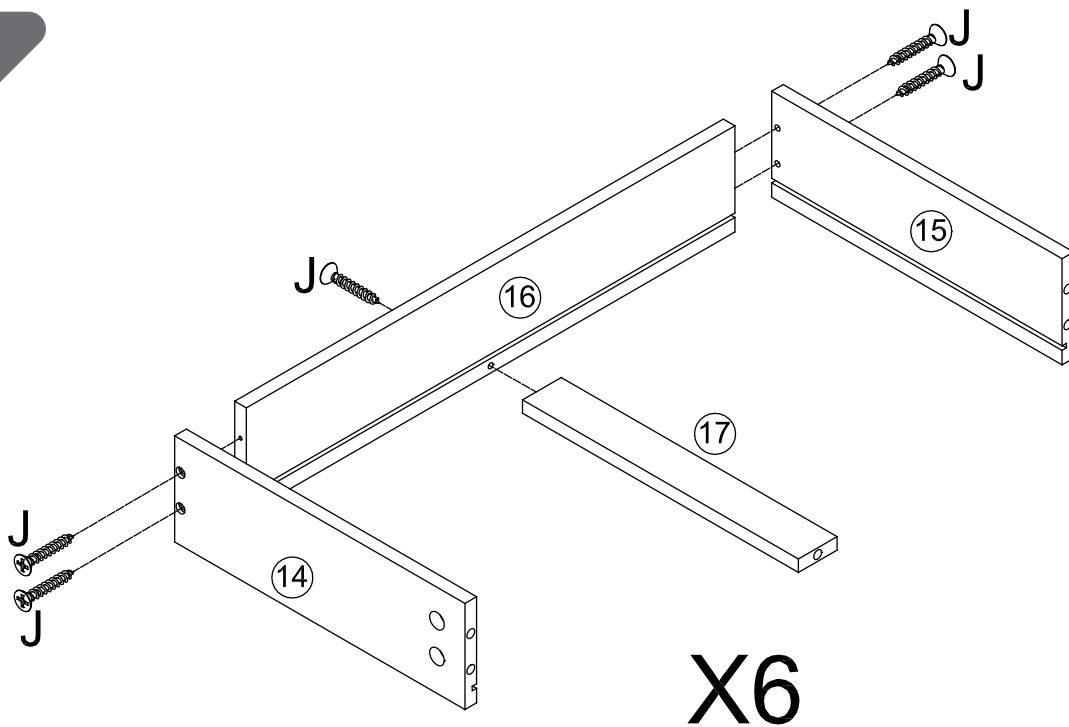
K		30PCS
---	---	-------

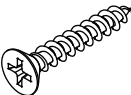
9



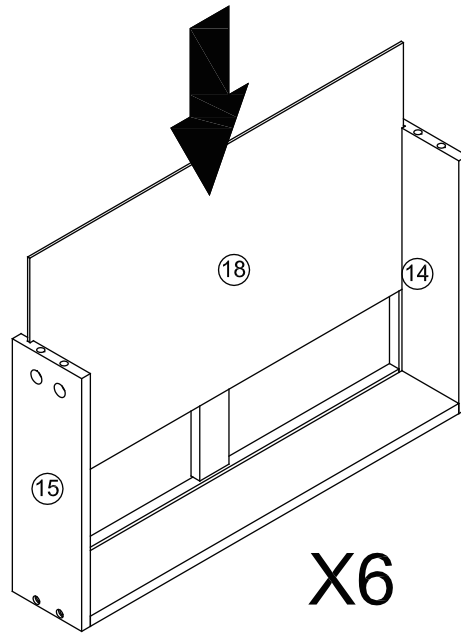
A	 M6x35	30PCS
---	--	-------

10

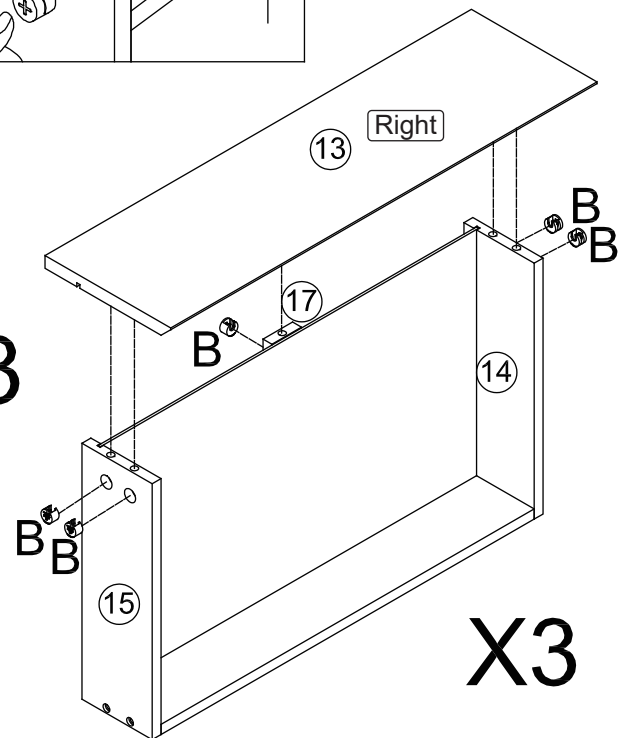
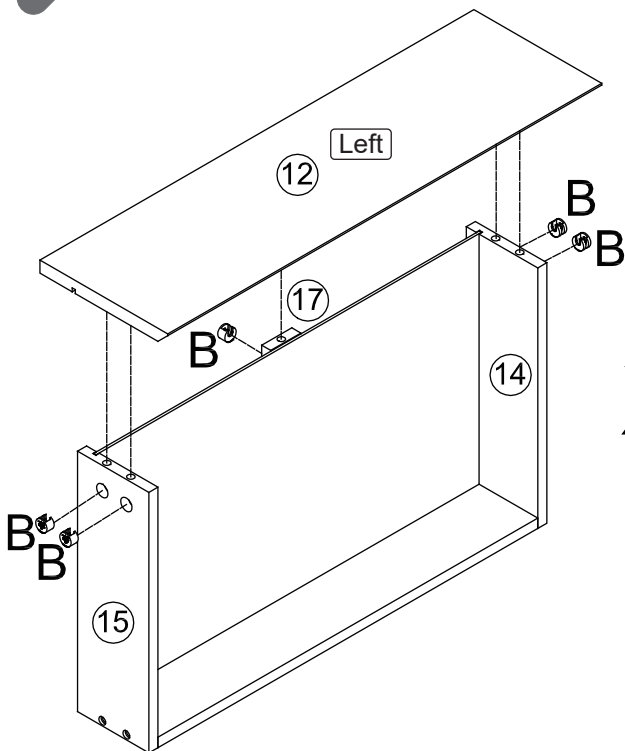
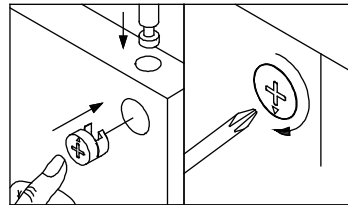



J	 M4x30	30PCS
---	--	-------

11






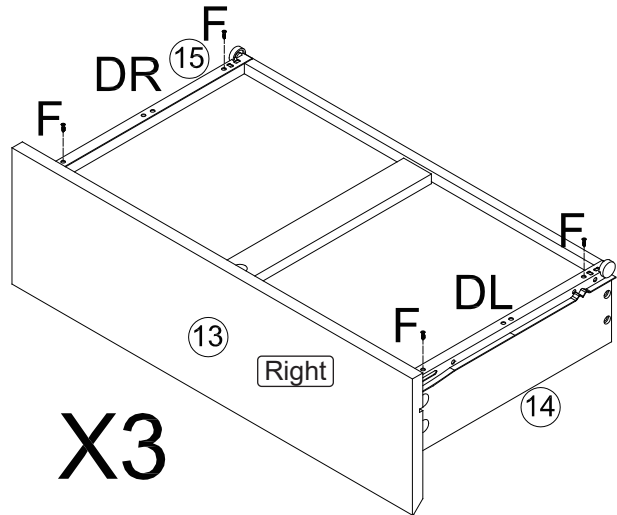
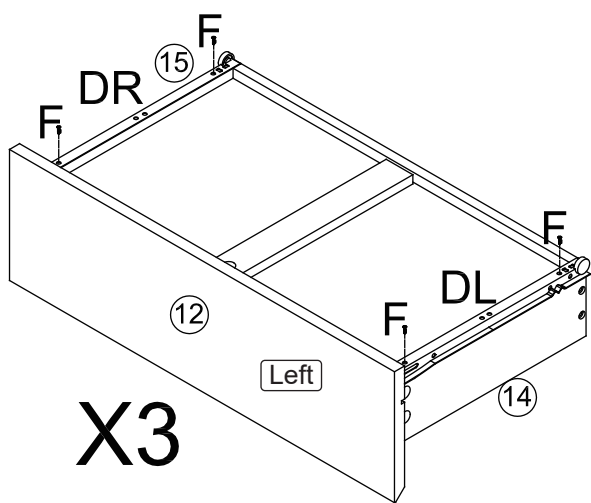
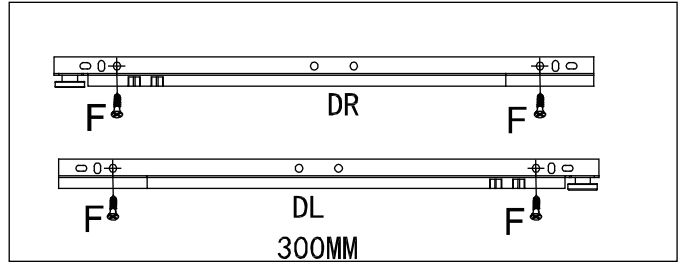
12



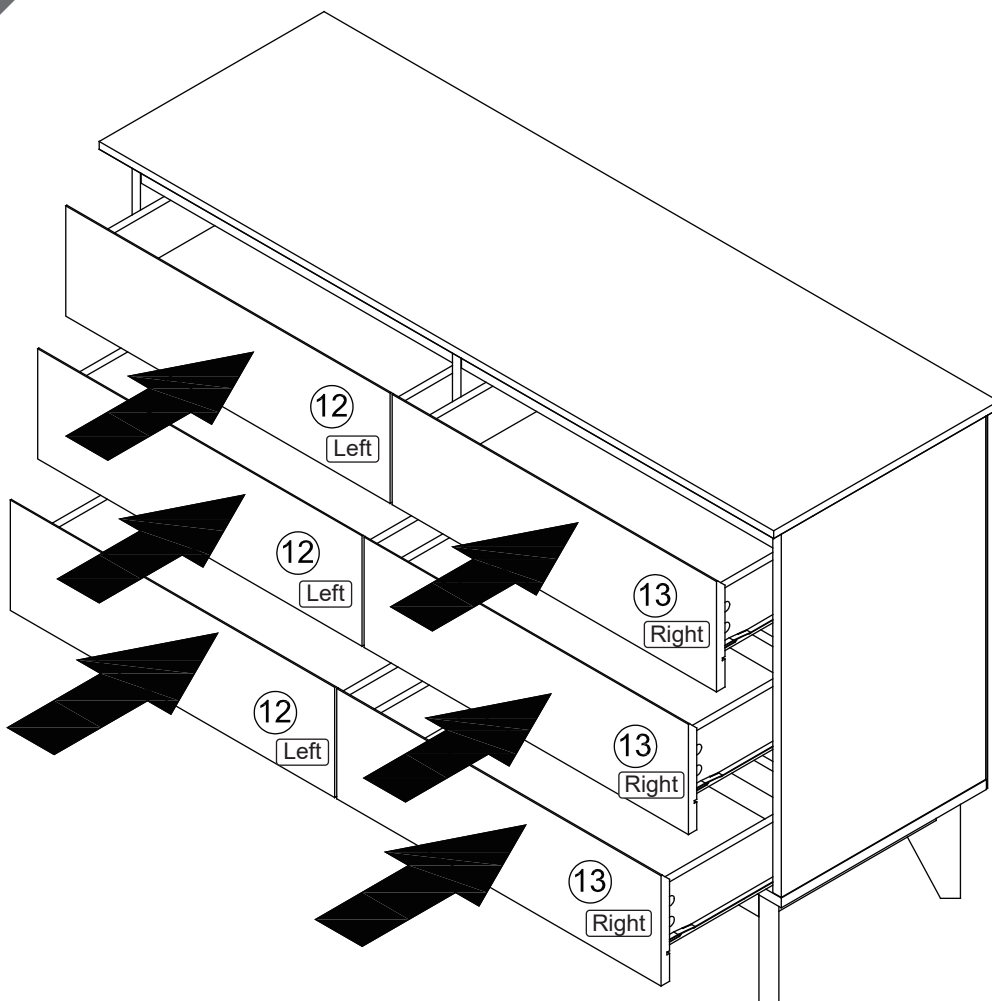
B	 Ø15x10	30PCS
----------	---	--------------

13

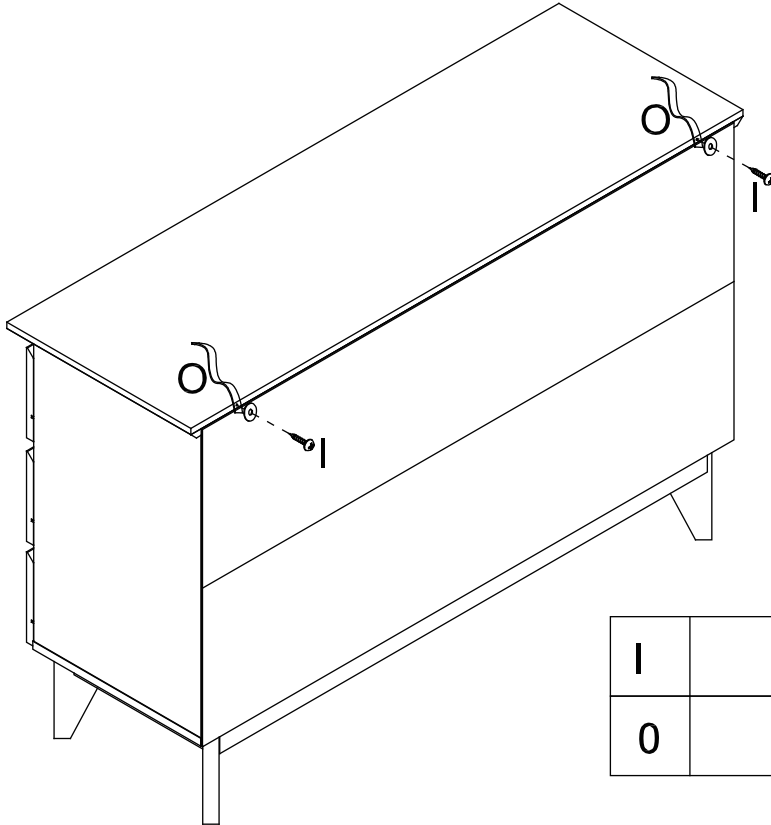
F	 M3x12	24PCS
DL	 300MM	6PCS
DR	 300MM	6PCS

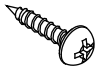



14

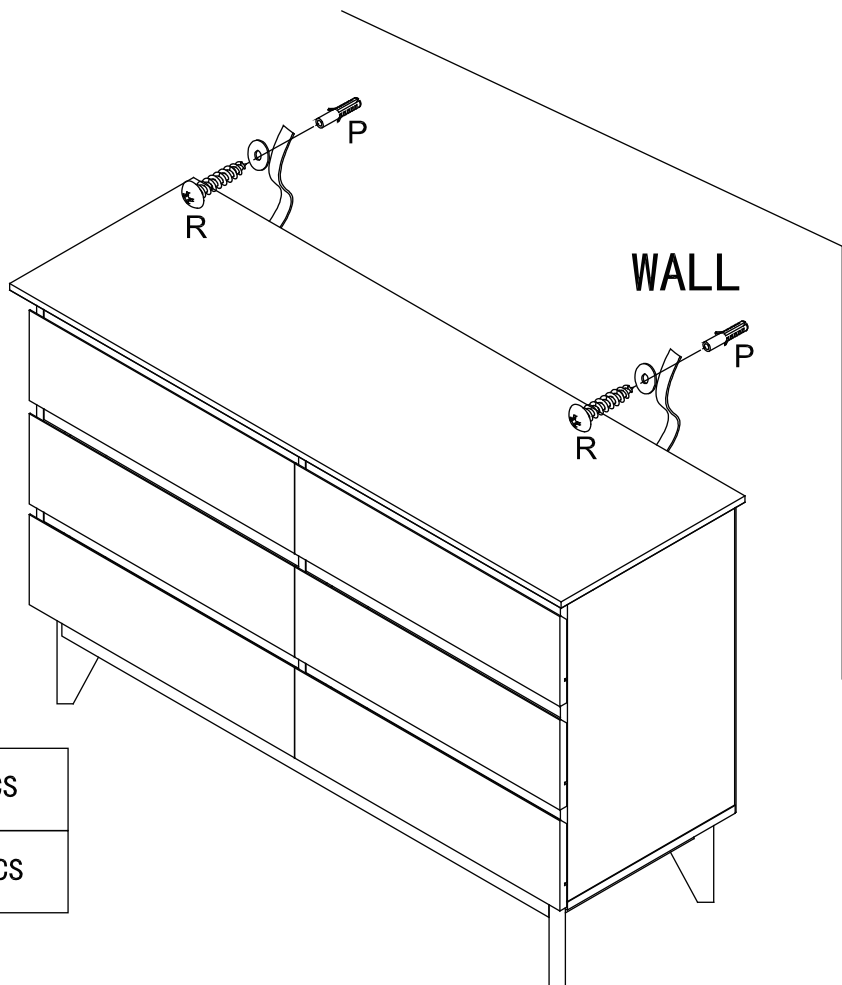




15



I	 M4x12	2PCS
O		2PCS

16



P		2PCS
R	 M4x35	2PCS