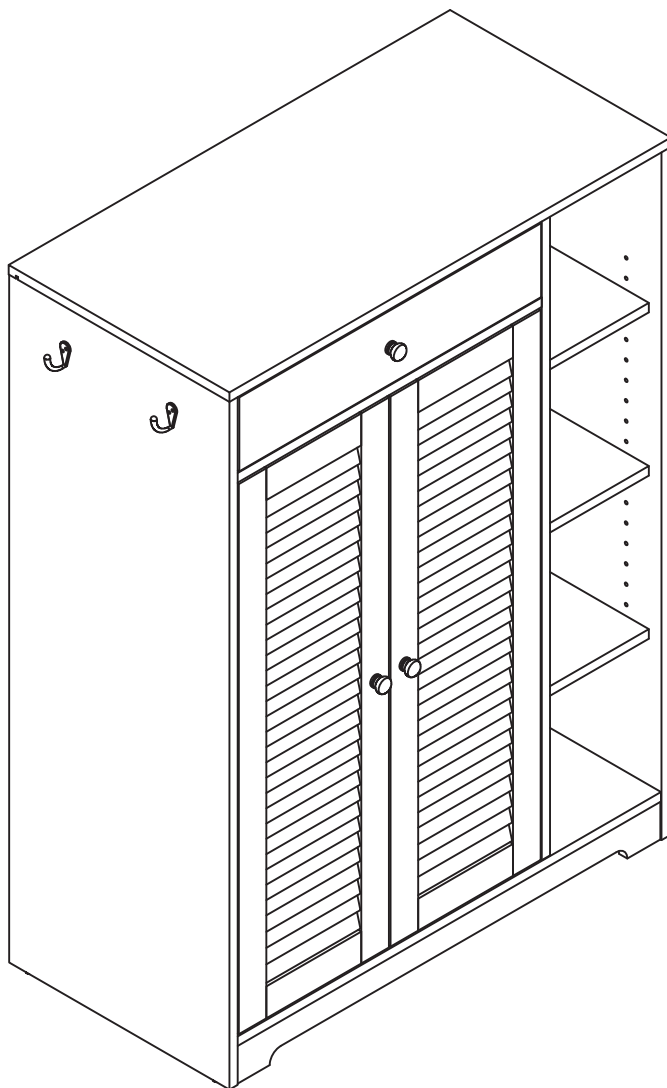


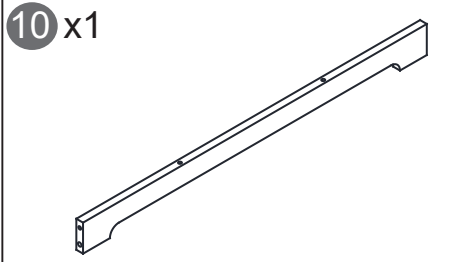
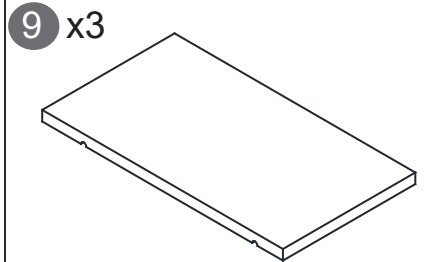
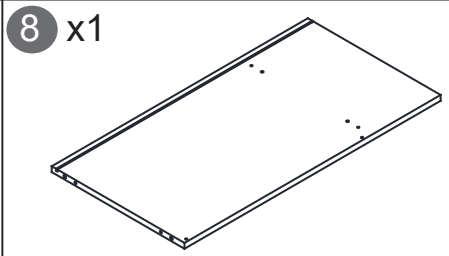
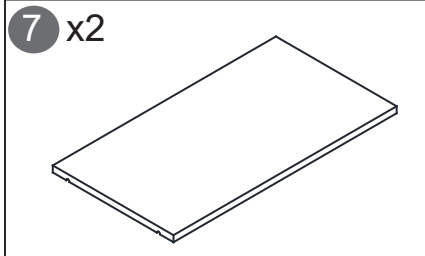
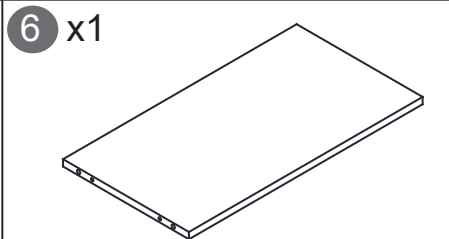
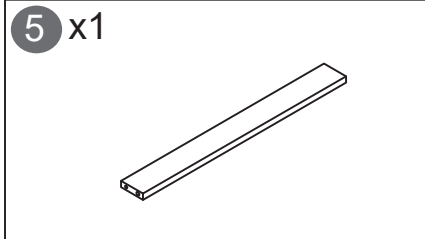
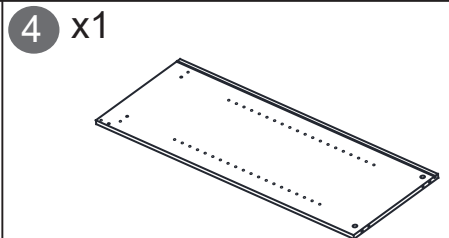
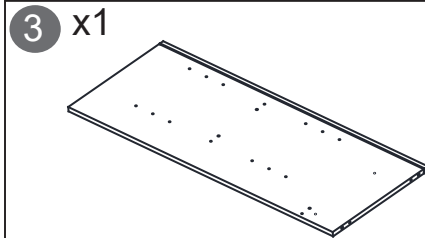
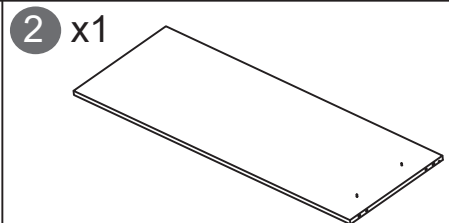
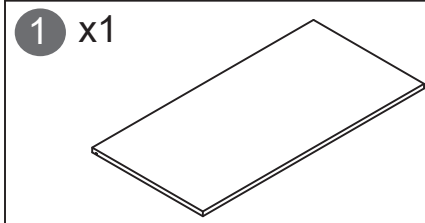
---

---

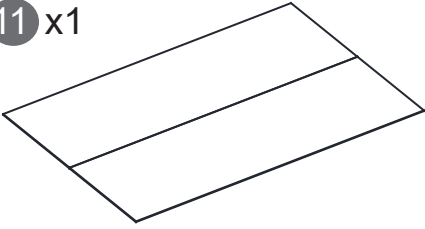
# ASSEMBLY INSTRUCTIONS

<<Before assembling, read all instructions>>

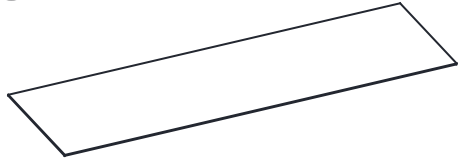




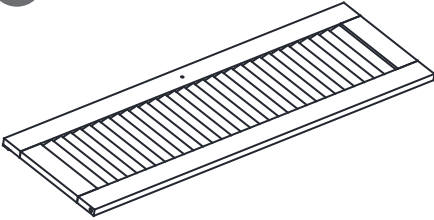
11 x1



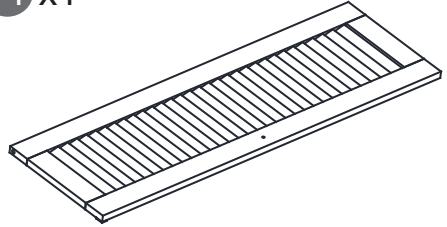
12 x1



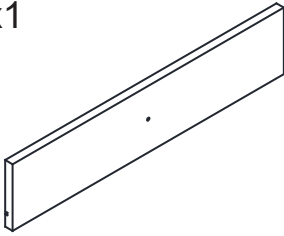
13 x1



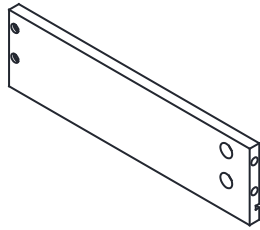
14 x1



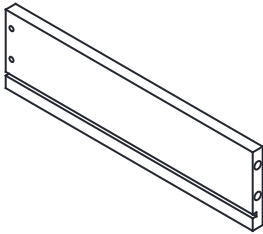
15 x1



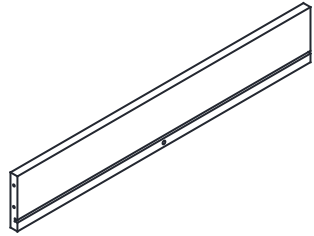
16 x1



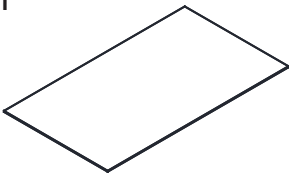
17 x1



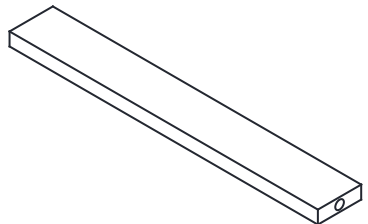
18 x1



















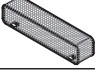

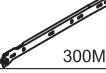

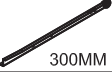


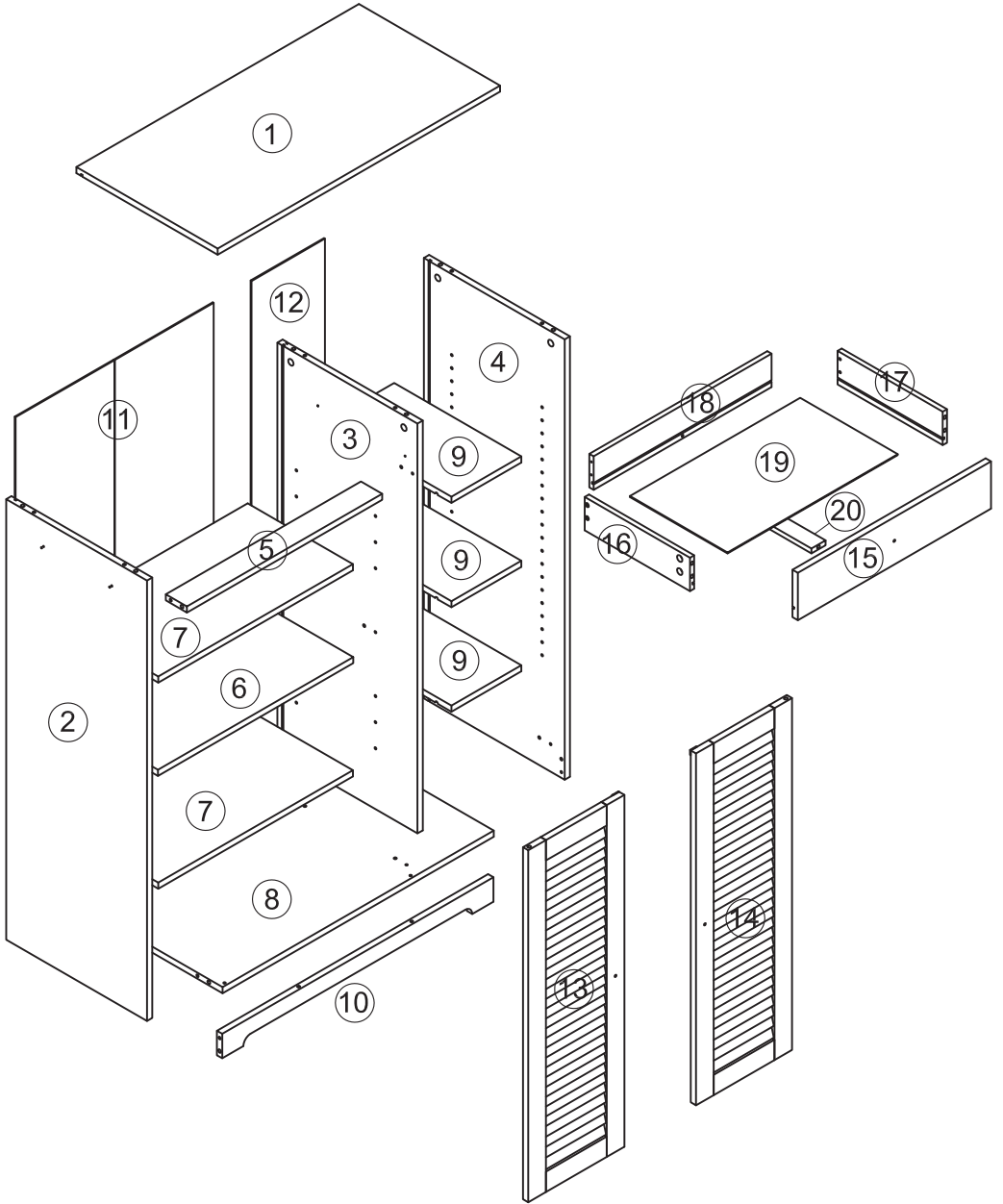
19 x1



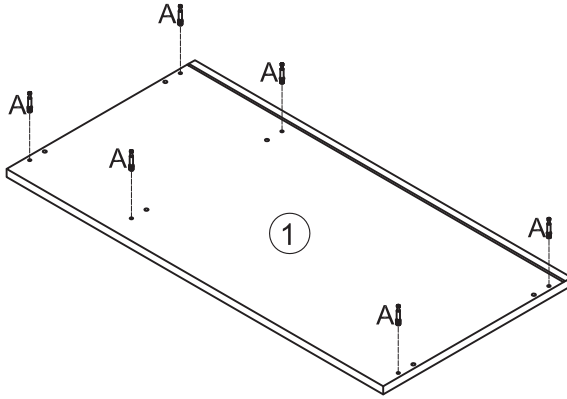
20 x1



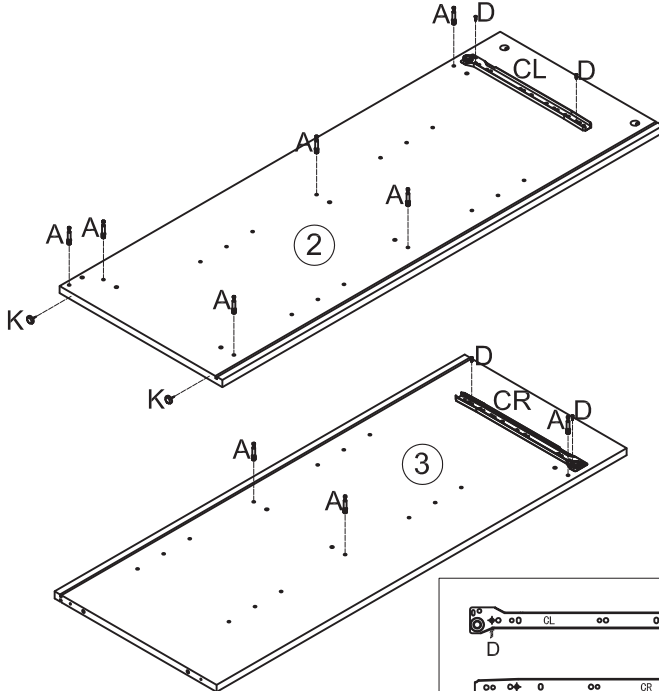
A	 M6x35	23PCS	B	 M15x10	23PCS	C	 Ø6x30	22PCS
D	 M3x12	8PCS	E	 M4x40	2PCS	F	 M4x30	5PCS
G		3PCS	H	 M4x12	18PCS	I		20PCS
J		2PCS	K		4PCS	L		6PCS
M		2PCS	N		1PC	O		2PCS
P		4PCS	Q		20PCS	R		4PCS
S		1PC	CL	 300MM	1PC	CR	 300MM	1PC
DL	 300MM	1PC	DR	 300MM	1PC			



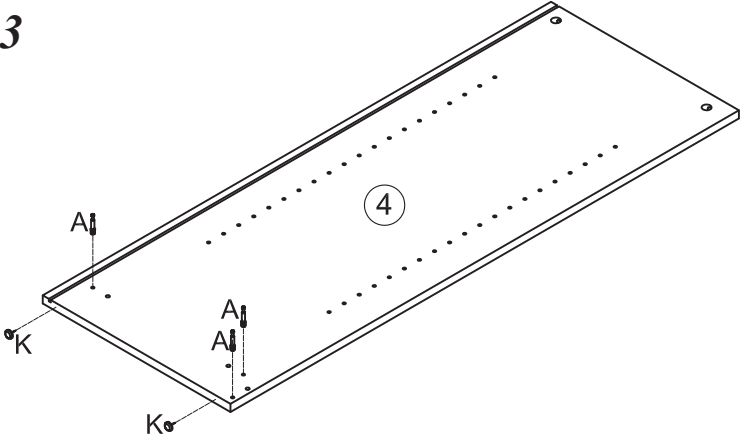
# Step 1



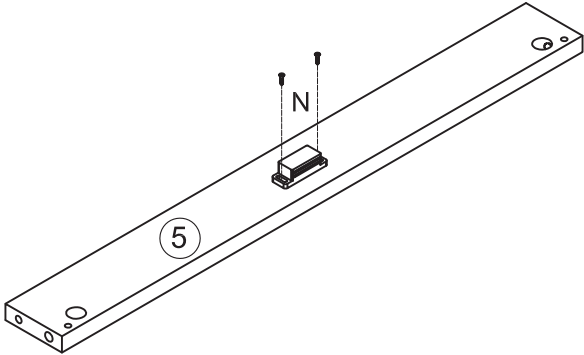
# Step 2



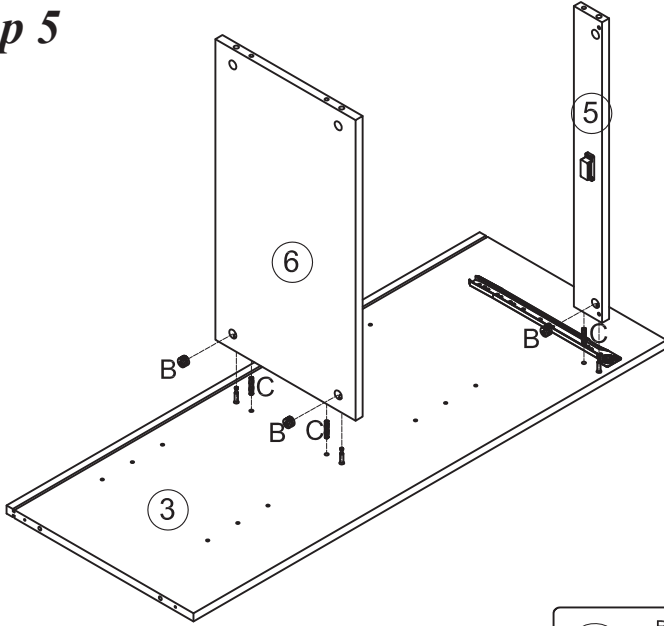
# Step 3



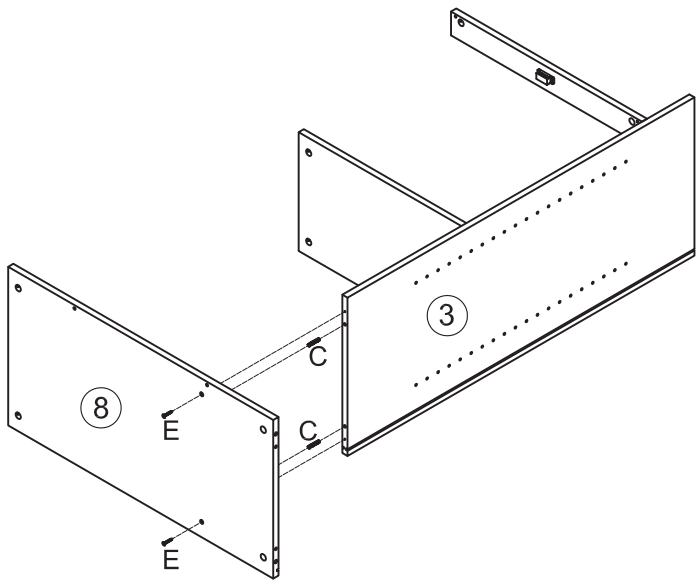
# Step 4



# Step 5

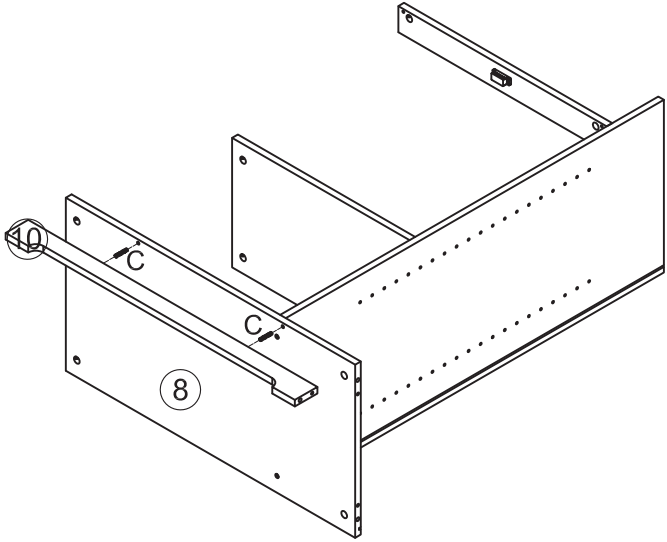


# Step 6

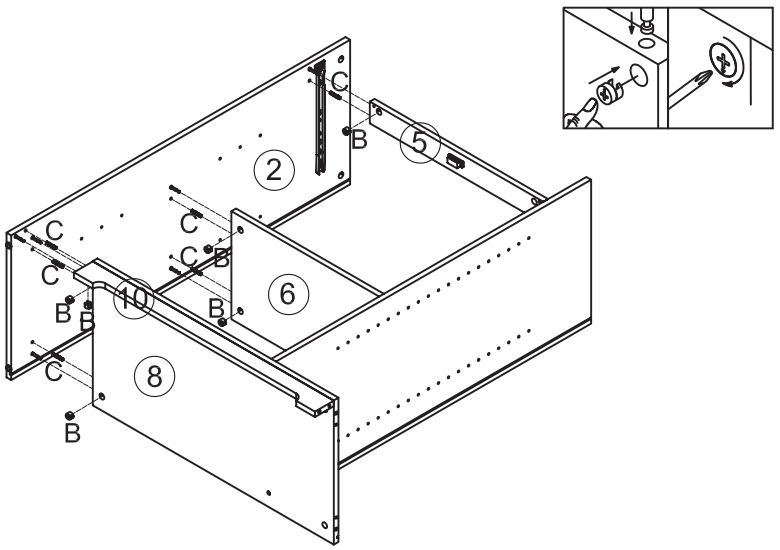




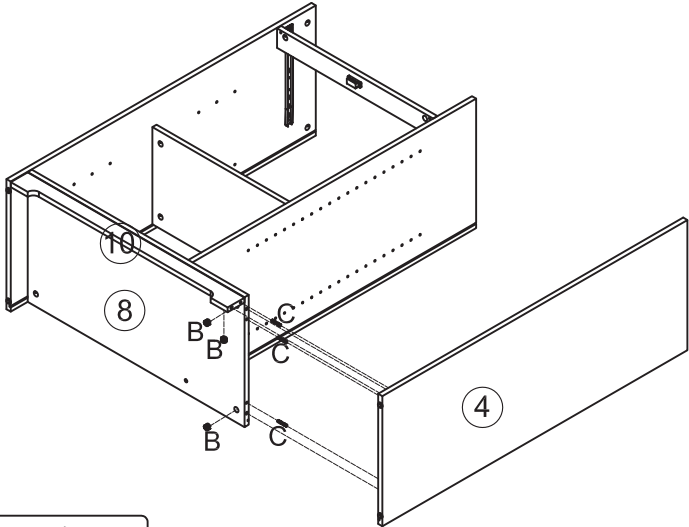
# Step 7



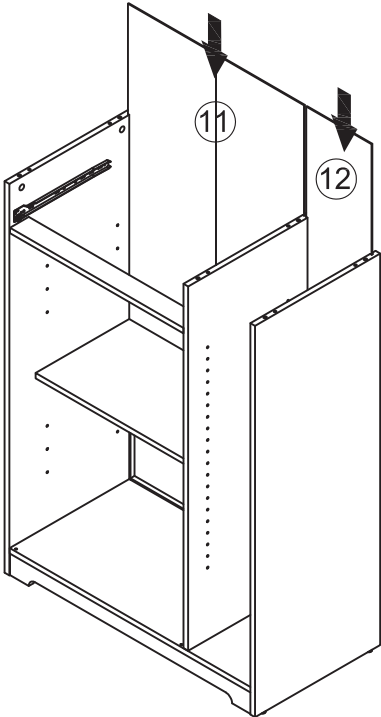
# Step 8



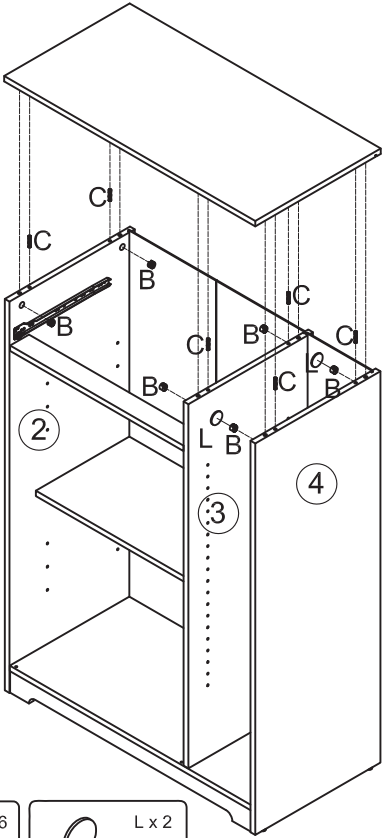
**Step 9**



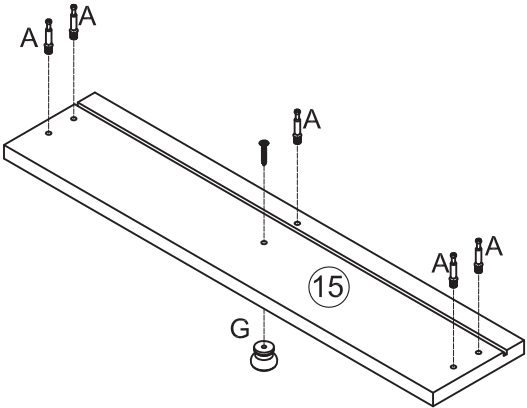
**Step 10**



# Step 11



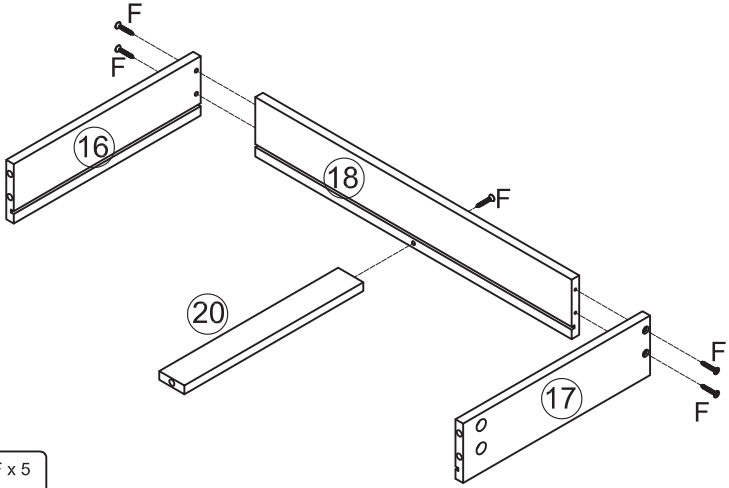
# Step 12



---

---

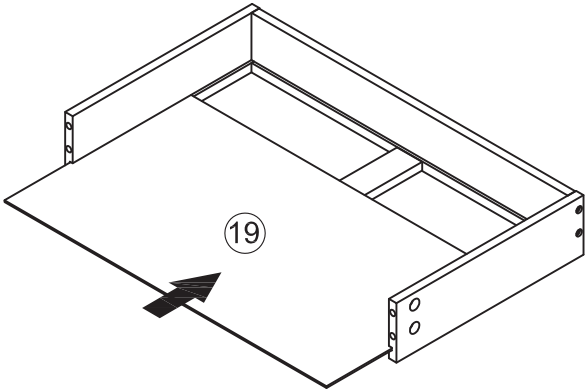
**Step 13**



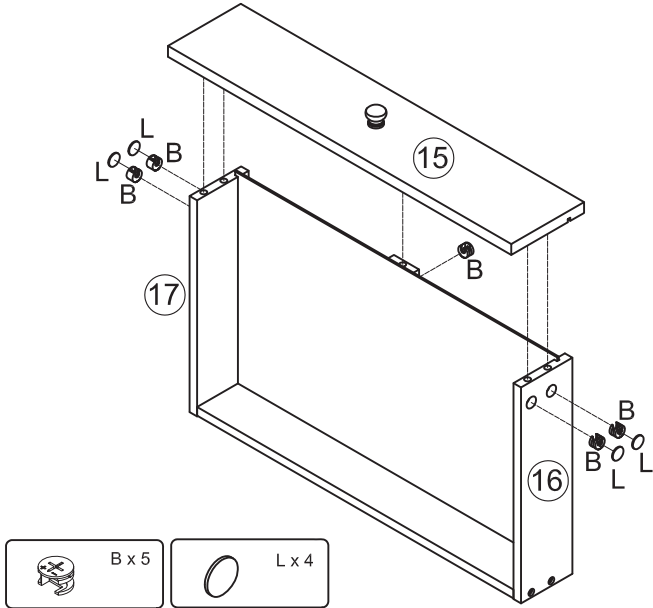
---

---

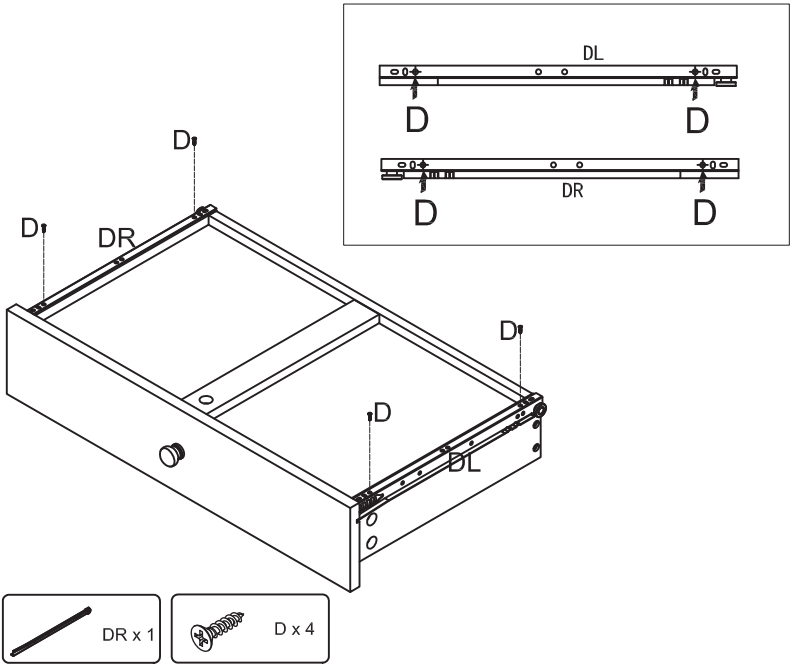
**Step 14**



# Step 15



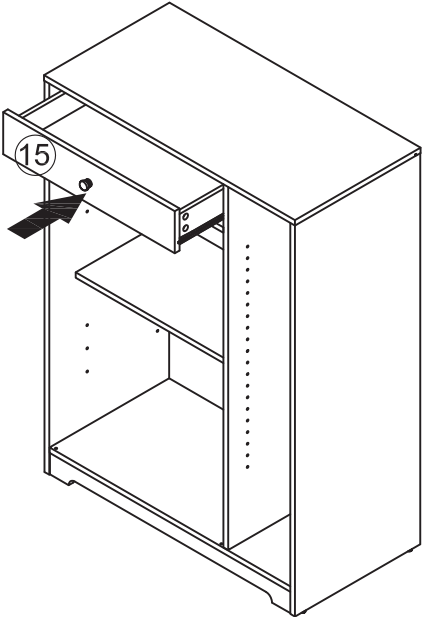
# Step 16



---

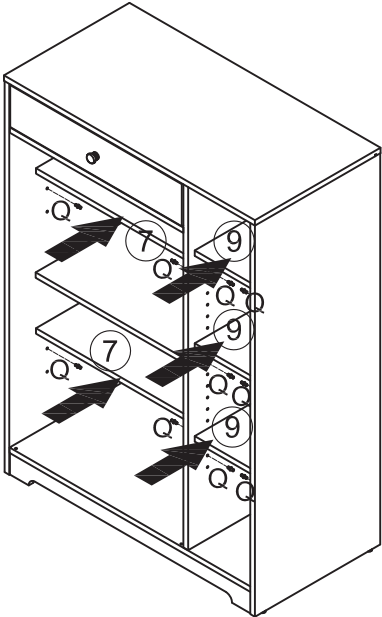
---

# Step 17

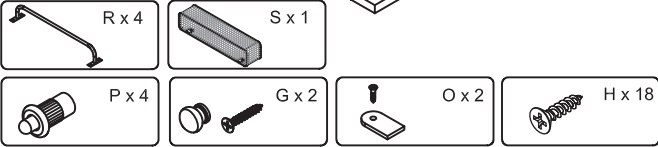
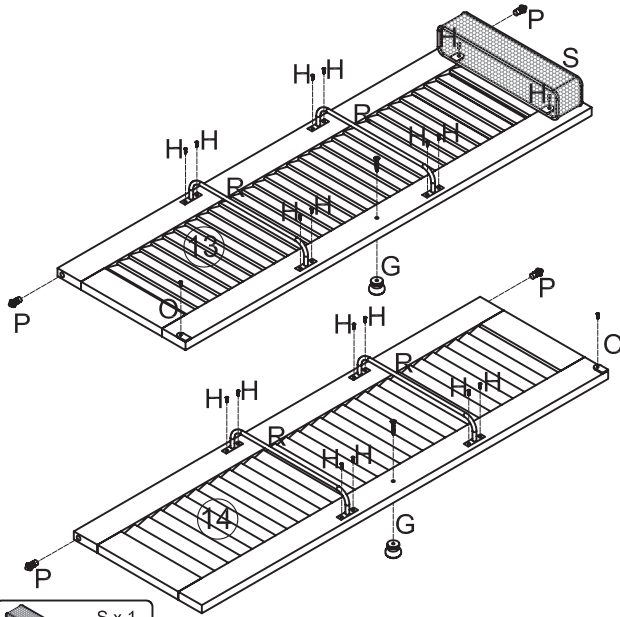


---

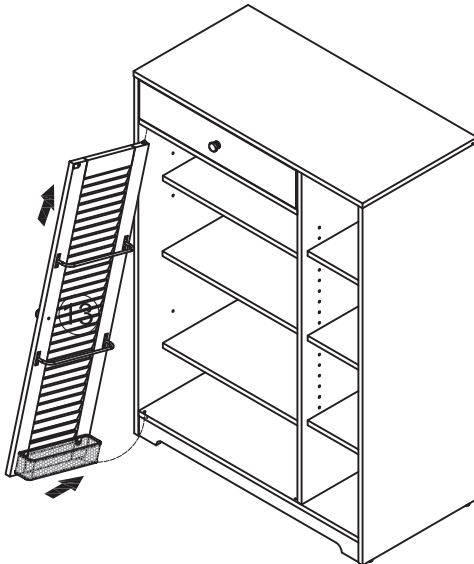
# Step 18



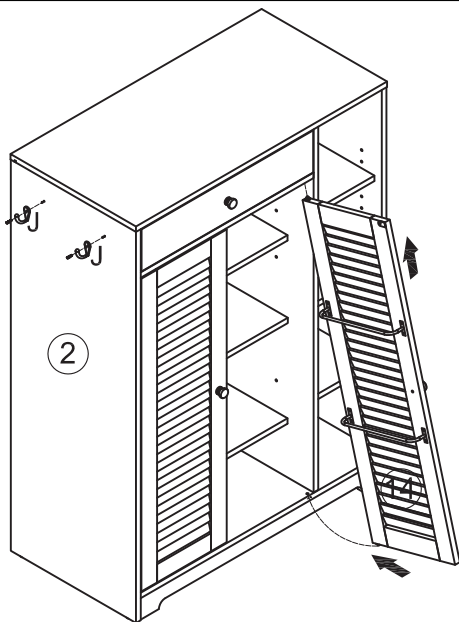
# Step 19



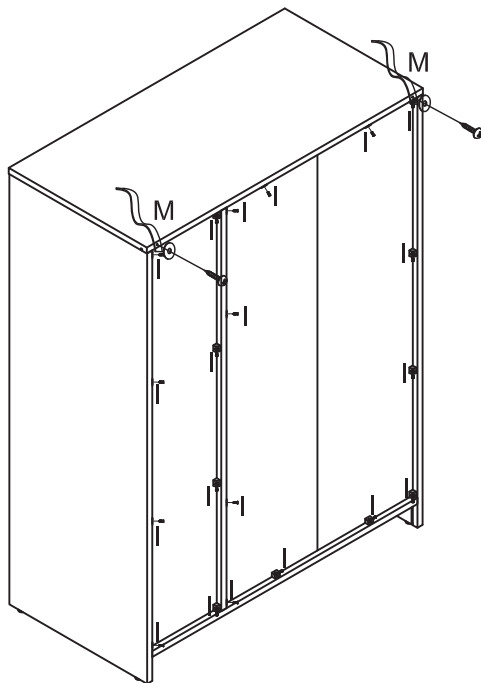
# Step 20



## Step 21



## Step 22





---

---

## Step 23

