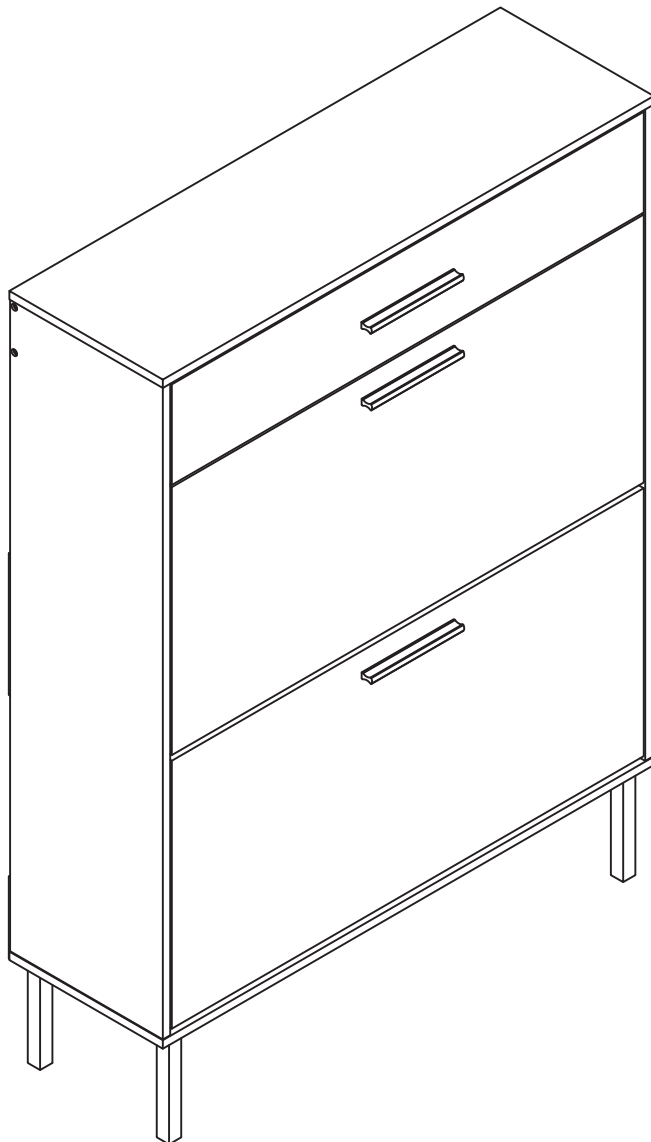


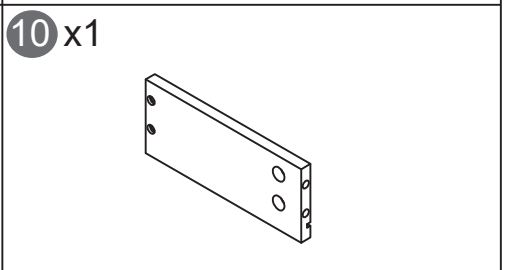
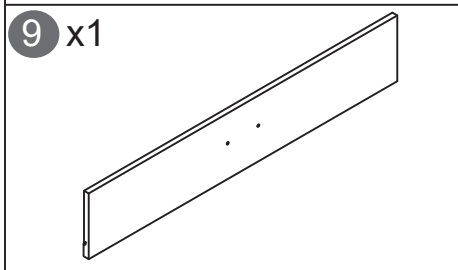
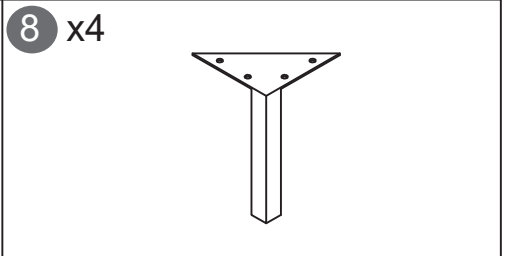
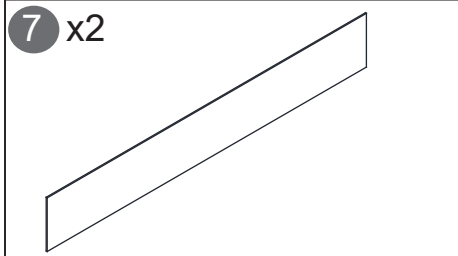
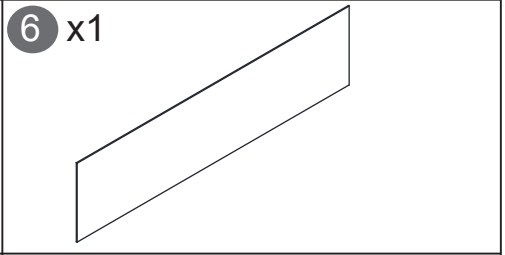
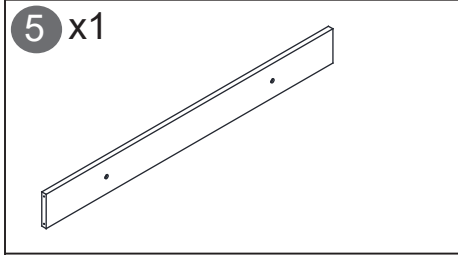
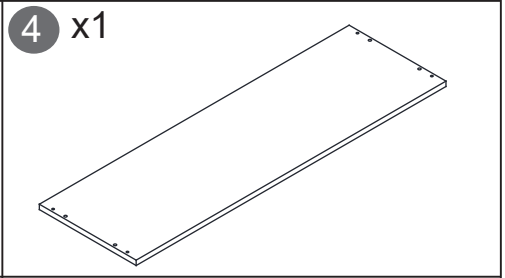
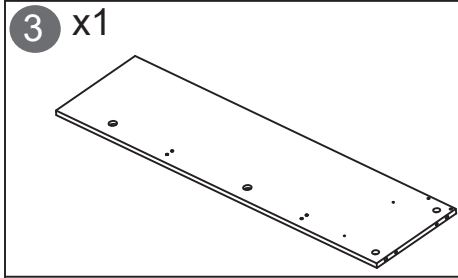
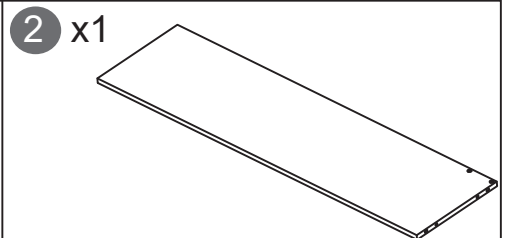
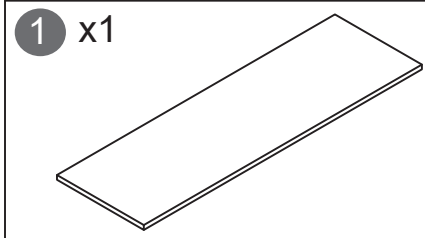
---

---

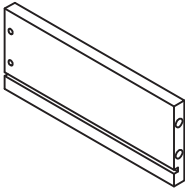
# ASSEMBLY INSTRUCTIONS

<<Before assembling, read all instructions>>

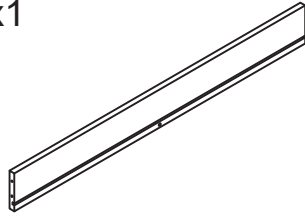




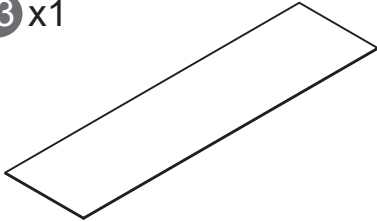
11 x1



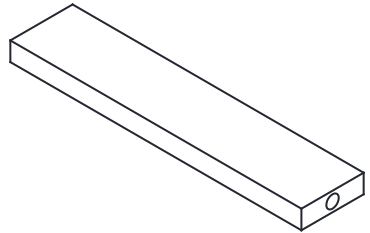
12 x1



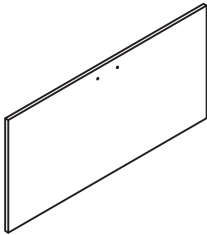
13 x1



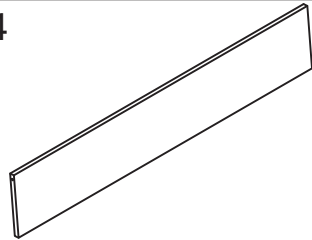
14 x1



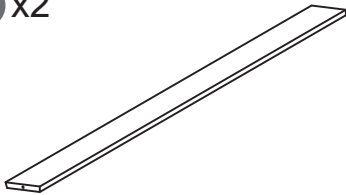
15 x2















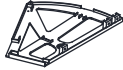






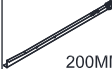


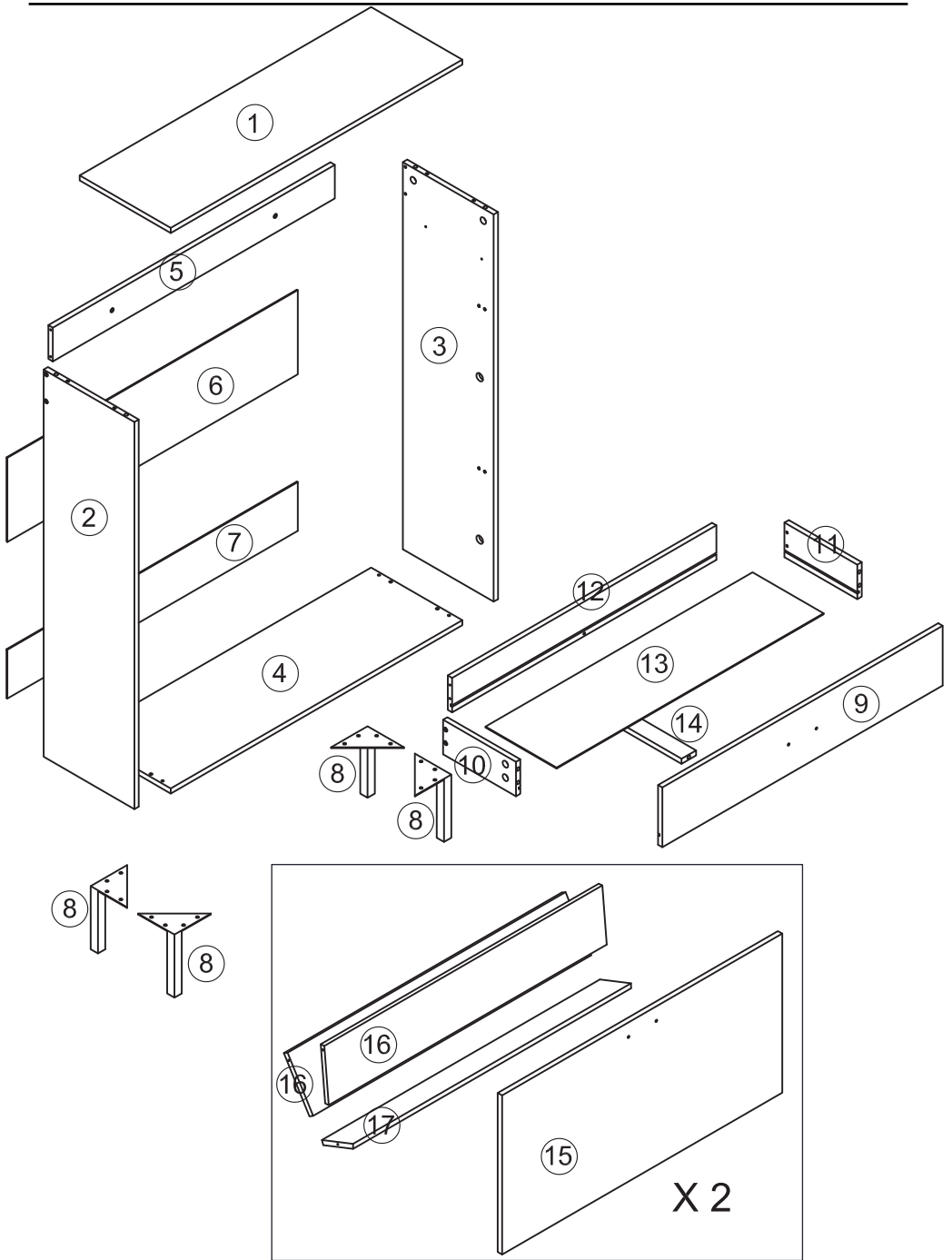
16 x4



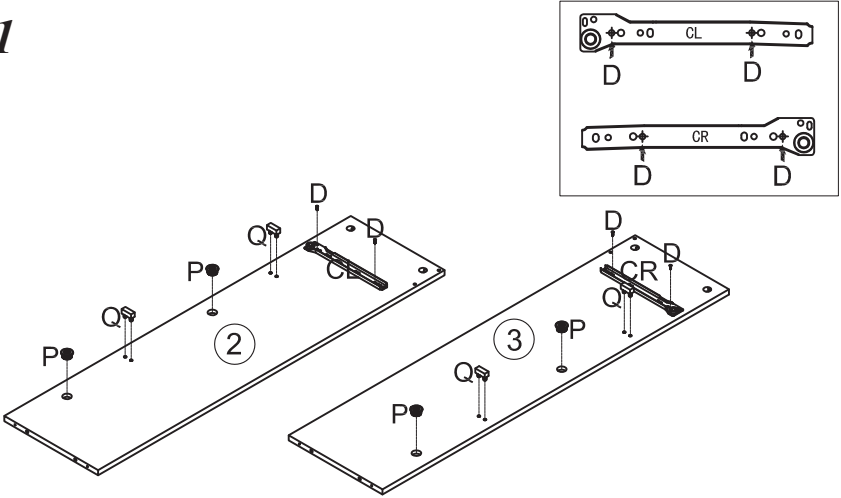
17 x2



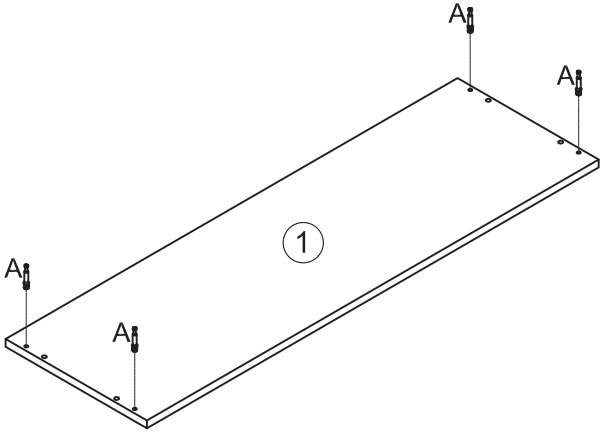
|    |  |       |    |   |       |    |  |      |
|----|--|-------|----|---|-------|----|--|------|
| A  | <br>M6x35 | 9PCS  | B  | <br>M15x10 | 9PCS  | C  | <br>ø6x30 | 8PCS |
| D  | <br>M3x12 | 8PCS  | E  | <br>M4x40  | 10PCS | F  | <br>M4x10 | 4PCS |
| G  | <br>M4x16 | 6PCS  | H  | <br>M4x12  | 40PCS | I  | <br>M4x30 | 5PCS |
| J  | <br>      | 16PCS | K  | <br>       | 3PCS  | L  | <br>      | 8PCS |
| M  | <br>      | 2PCS  | N  | <br>       | 2PCS  | O  | <br>      | 2PCS |
| P  | <br>      | 4PCS  | Q  | <br>       | 4PCS  | R  | <br>      | 4PCS |
| CL | <br>200MM | 1PC   | CR | <br>200MM  | 1PC   | DL | <br>200MM | 1PC  |
| DR | <br>200MM | 1PC   |    |   |       |    |  |      |



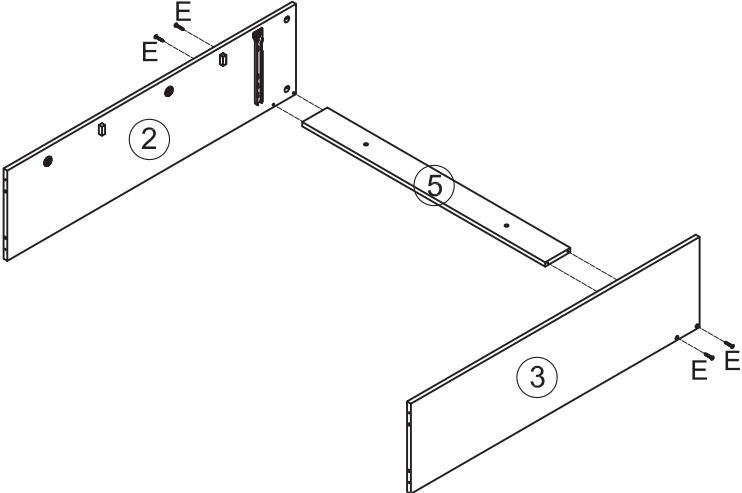
# Step 1



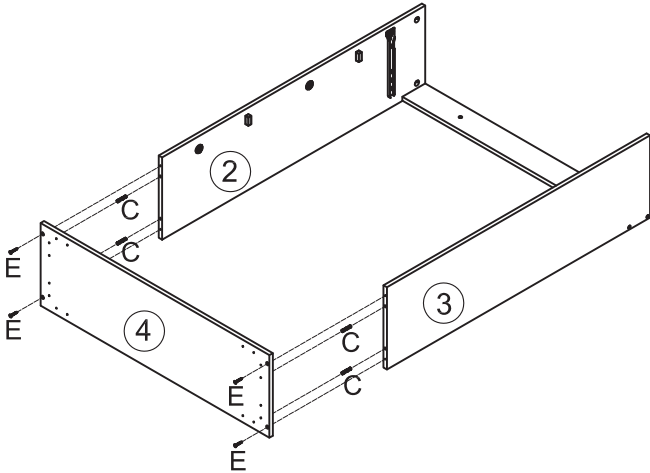
# Step 2



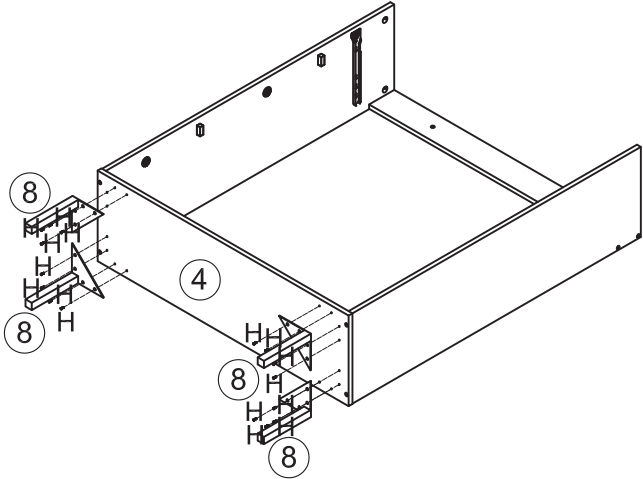
**Step 3**



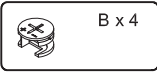
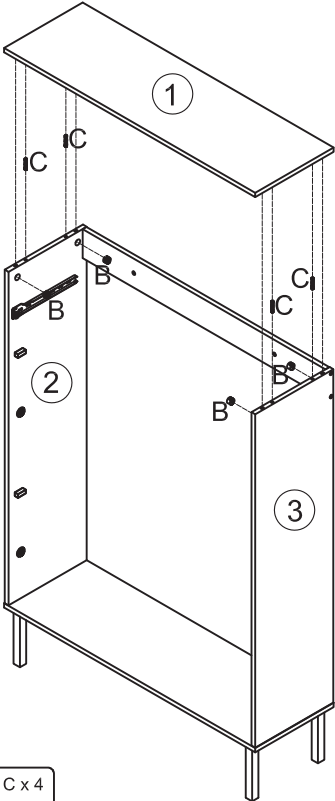
**Step 4**



# Step 5

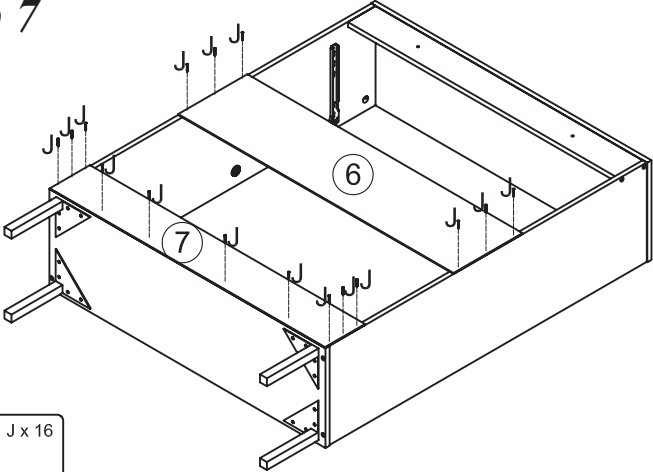


# Step 6

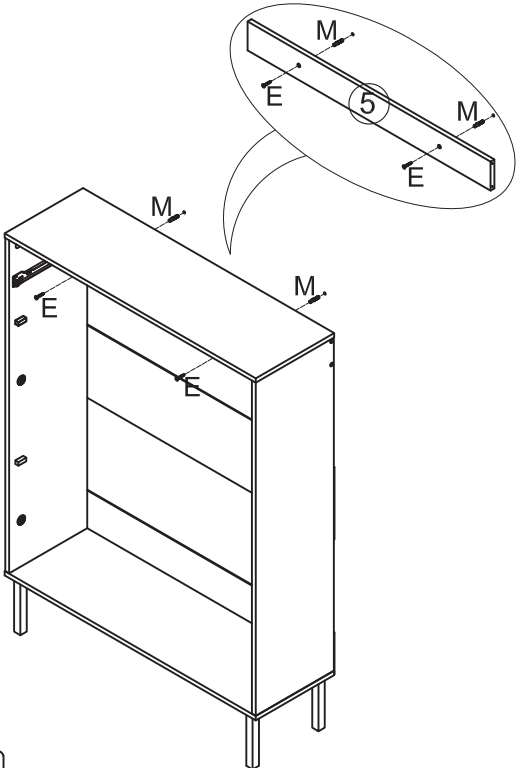




# Step 7



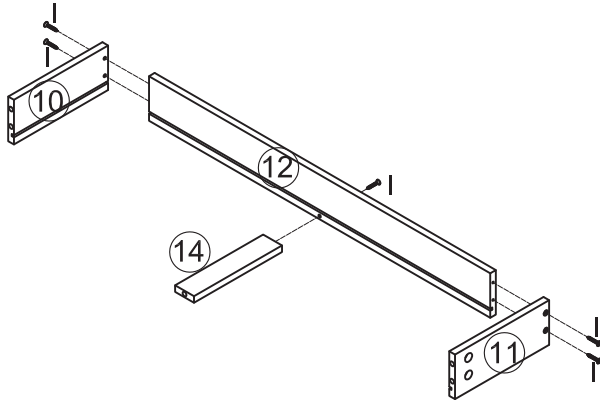
# Step 8



---

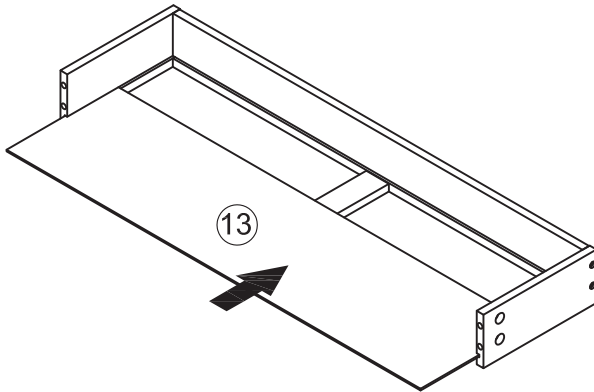
---

*Step 9*

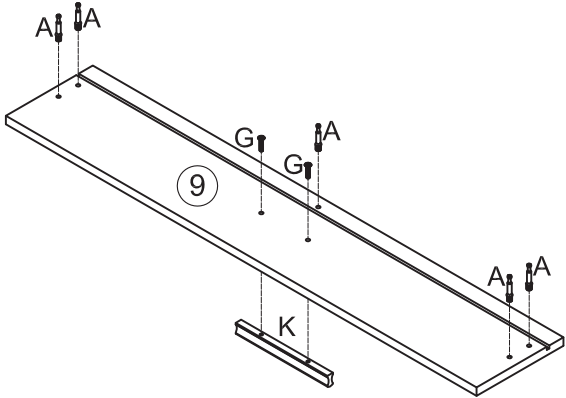


---

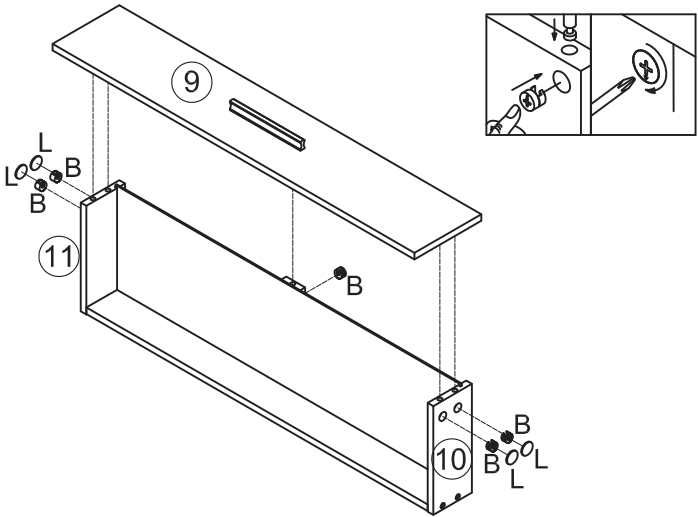
*Step 10*



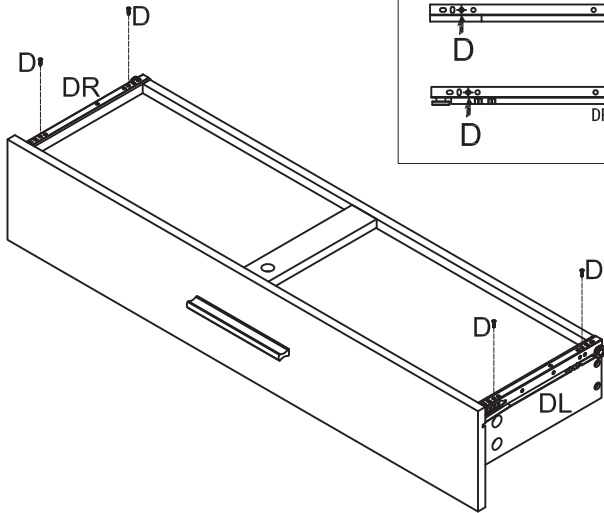
# Step 11



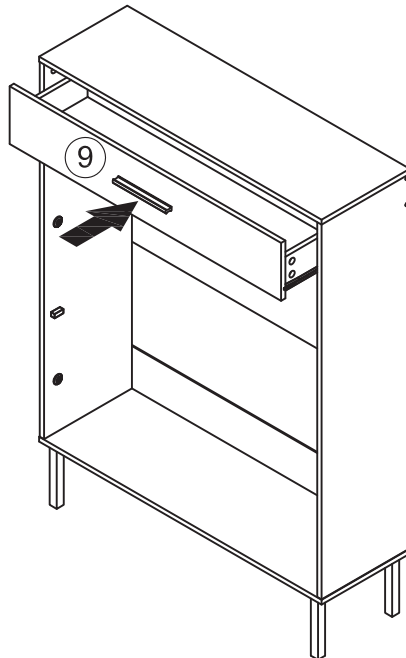
# Step 12



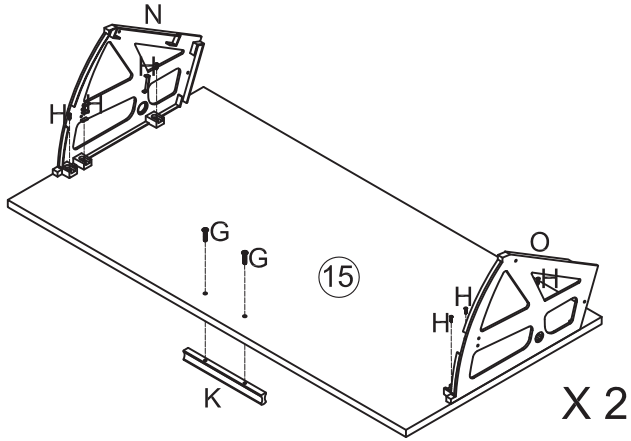
## Step 13



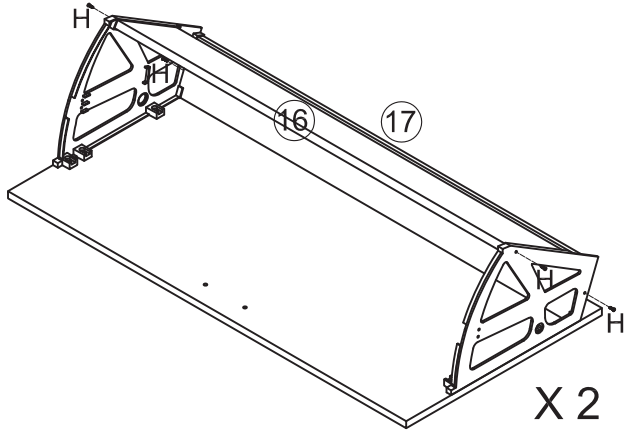
## Step 14



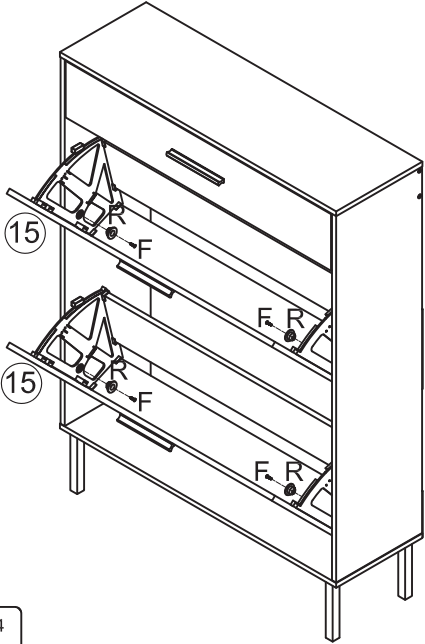
# Step 15



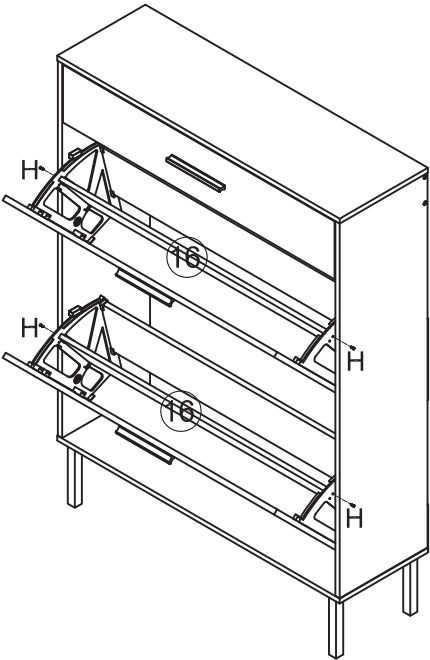
# Step 16



# Step 17



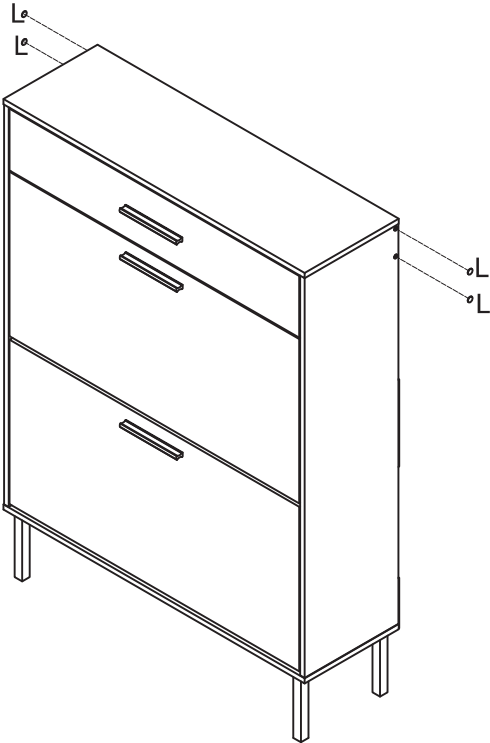
# Step 18



---

---

# Step 19



---

---

## *Step 20*

