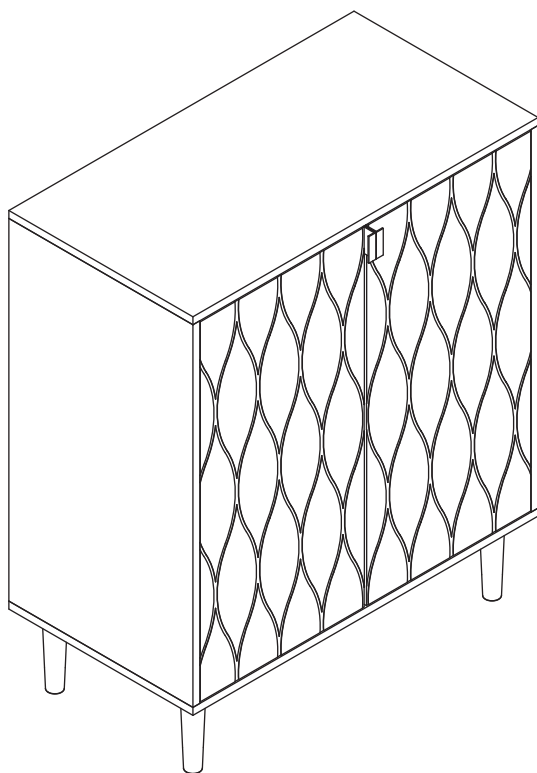
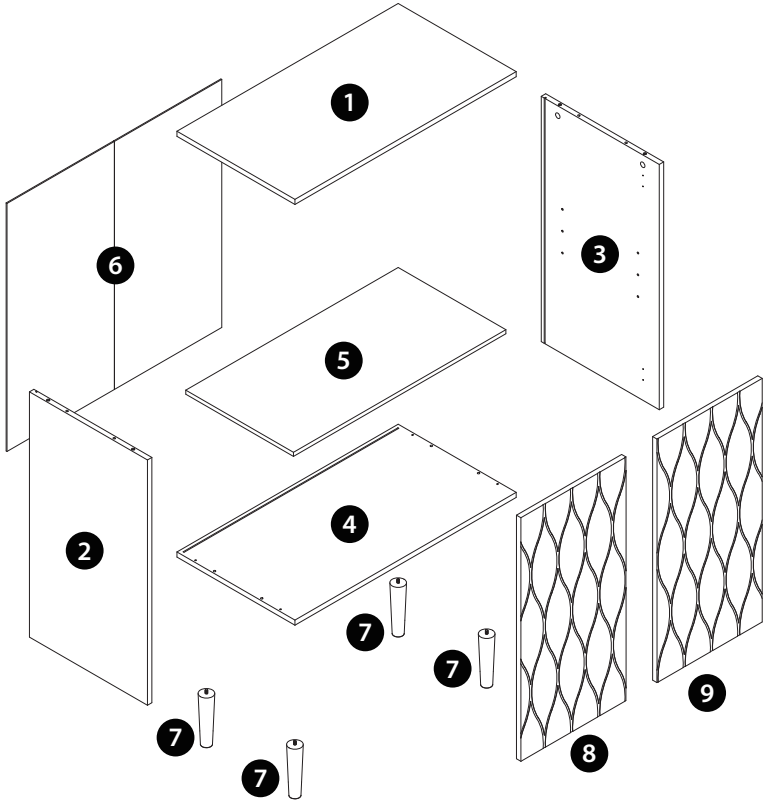
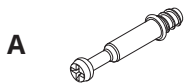

ASSEMBLY INSTRUCTIONS

<<Before assembling, read all instructions>>







A

Metal Dowel x 4



B

Lock (Ø15x12mm) x 4



C

Screw(Ø4x40mm) x 4



D

Wooden Dowel(Ø8x30mm) x 8



F

Handle x 2



G

Screw(Ø4x14mm) x 16



H

Metal Slide - Female Right x 4



I

Screw(Ø3x14mm) x 6



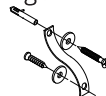
J

Back Support x 6



K

Hinge x 4



L

Safety Device x 2



M

Screw(Ø3x12mm) x 4



N

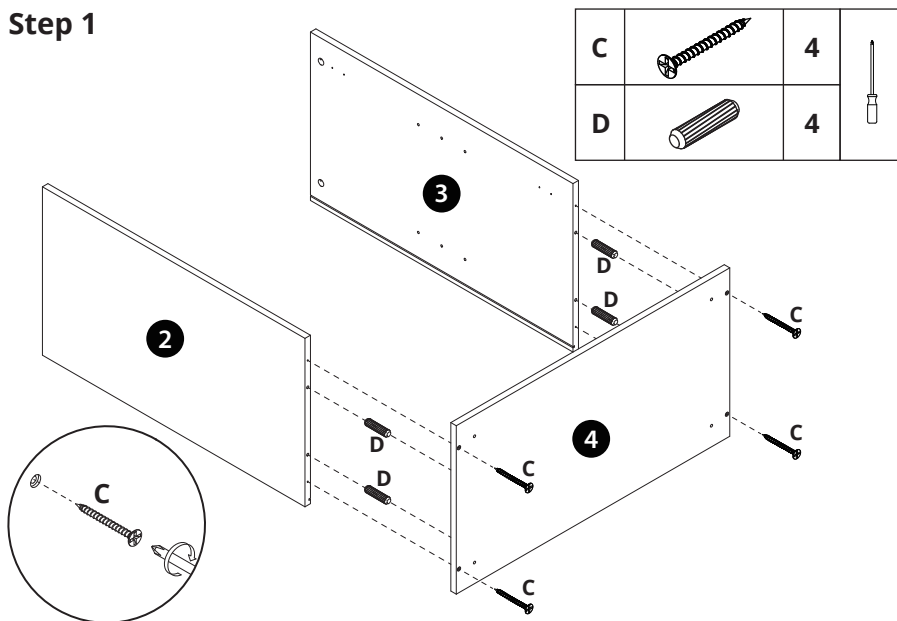
Bumper x 1

TOOLS NEEDED
(We don't provide)

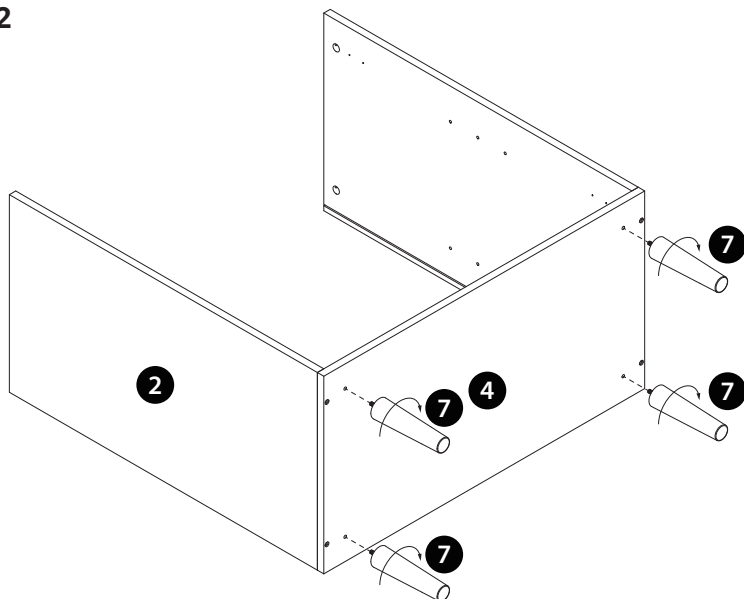


Phillips Screwdriver x 1

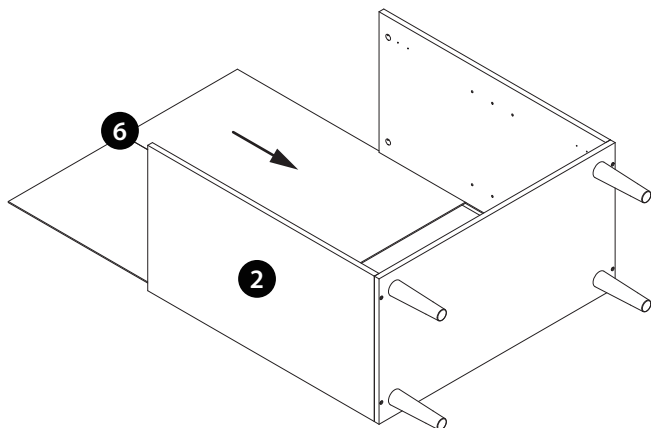
Step 1



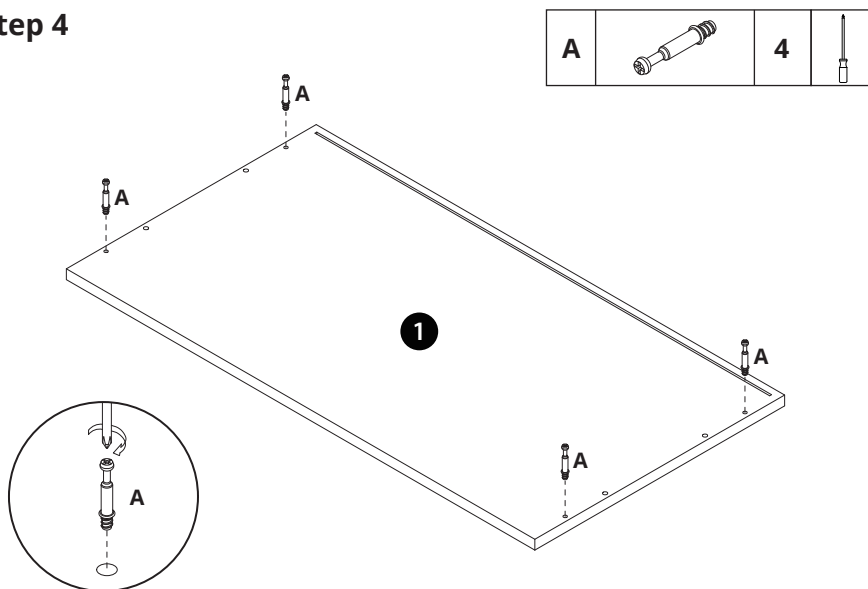
Step 2






Step 3

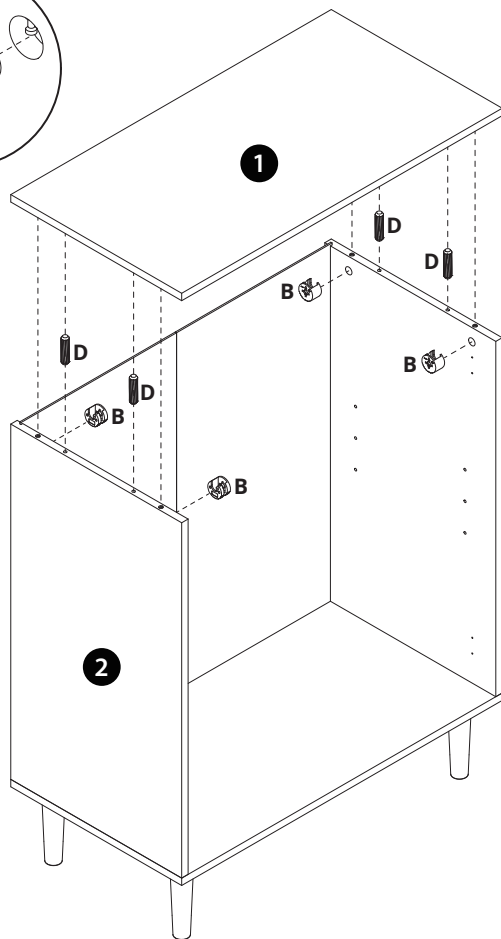
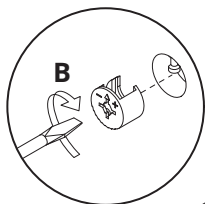


Step 4

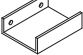






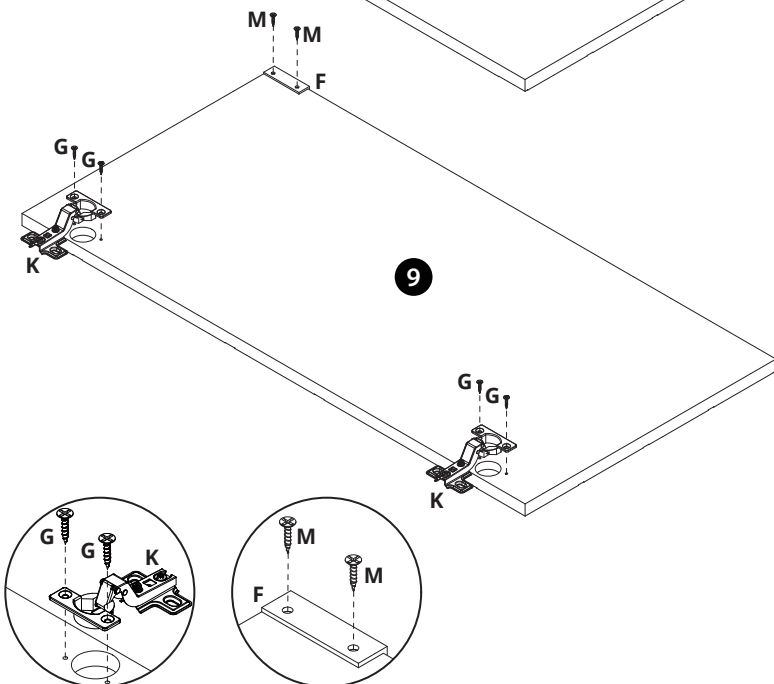
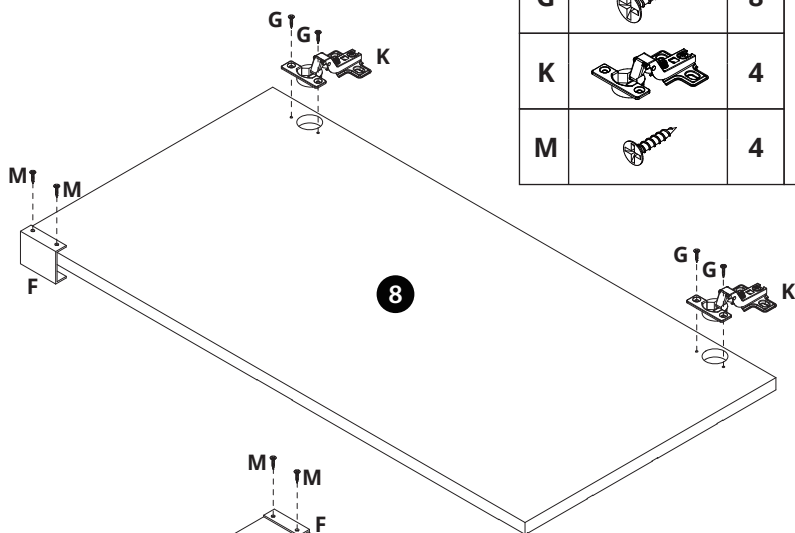
Step 5

B		4	
D		4	

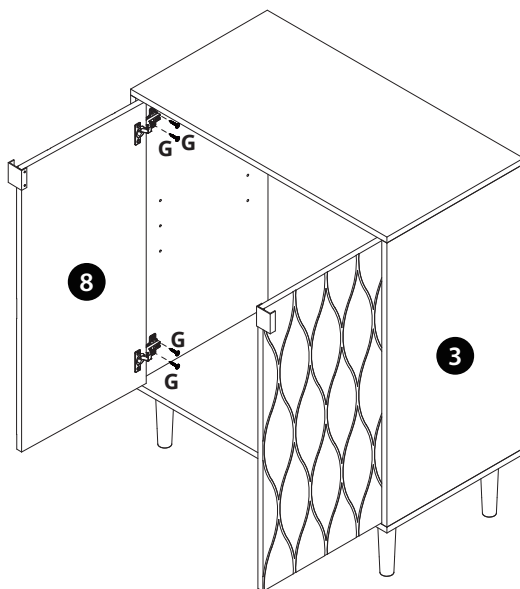
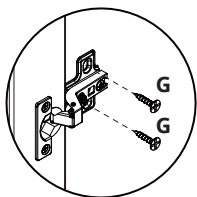
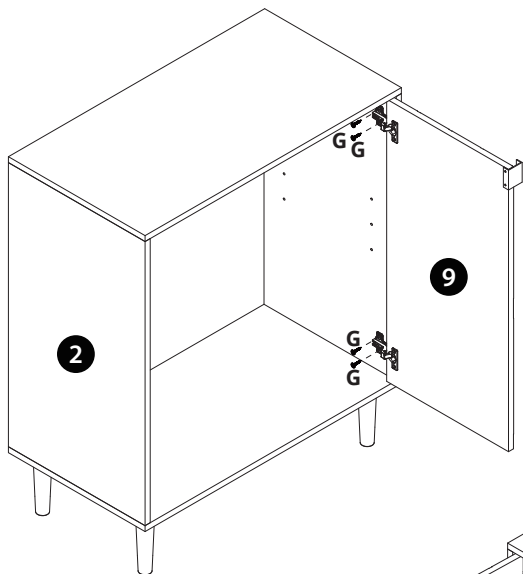


Step 6

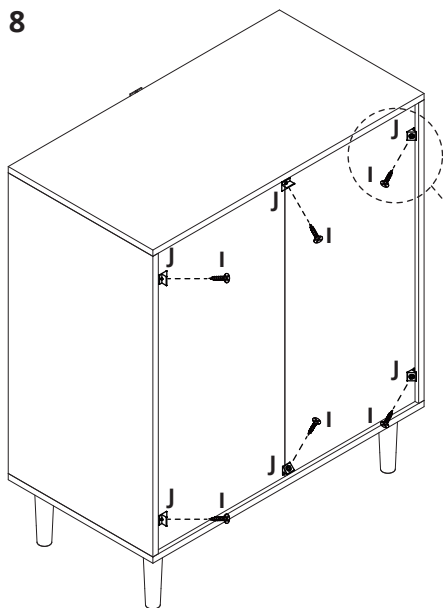
F		2	
G		8	
K		4	
M		4	

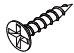




Step 7

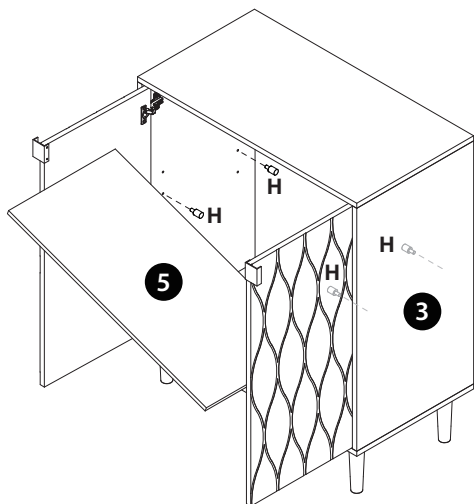




Step 8

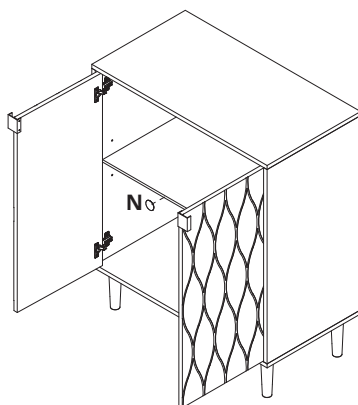


I		6	
J		6	

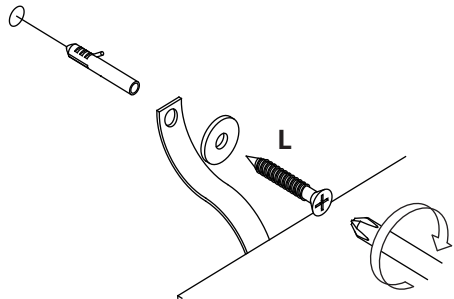
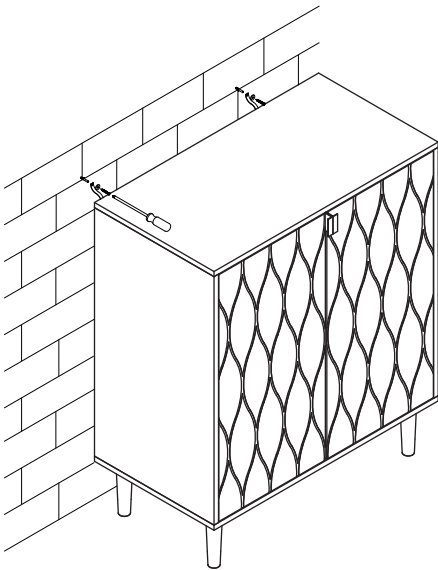
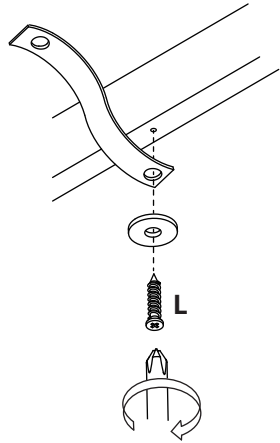
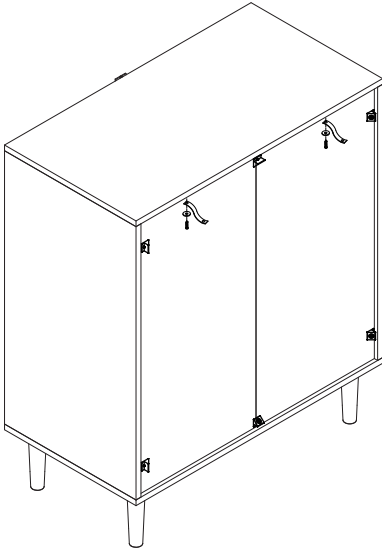
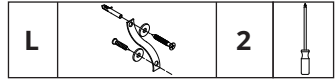
Step 9



H		4	
N		1	



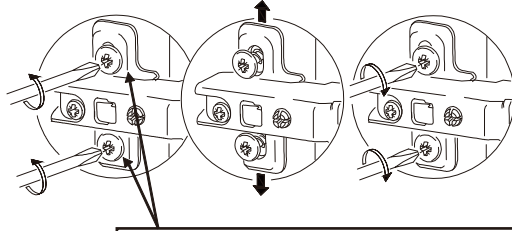
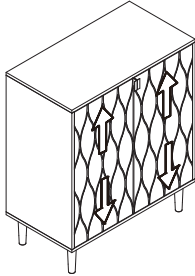
Step 10





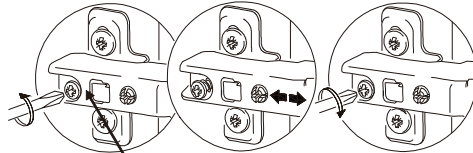
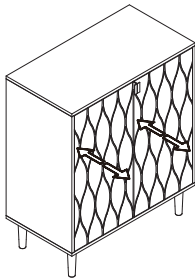
Customer Attention:

To align doors and control gap in between doors. Product doors may need adjusting during and after assembly. This can be done by adjusting appropriate screws. See below illustration.



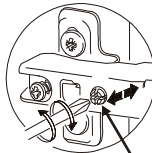
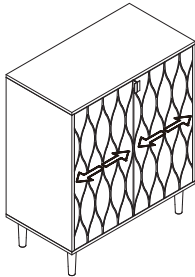
Vertical Door Adjustment:

Loosen both screws on all hinges and lift the door to the desired height. This allows an even space at the top and bottom between the door and frame.



Lateral Door Adjustment:

If door is hinge bound, (rubbing on frame as you close or open door) loosening screw shown and move the door in appropriate direction. (In or out)



Horizontal Door Adjustment:

Rotate Screw clockwise or anticlockwise. This will produce an even gap between doors and frame.