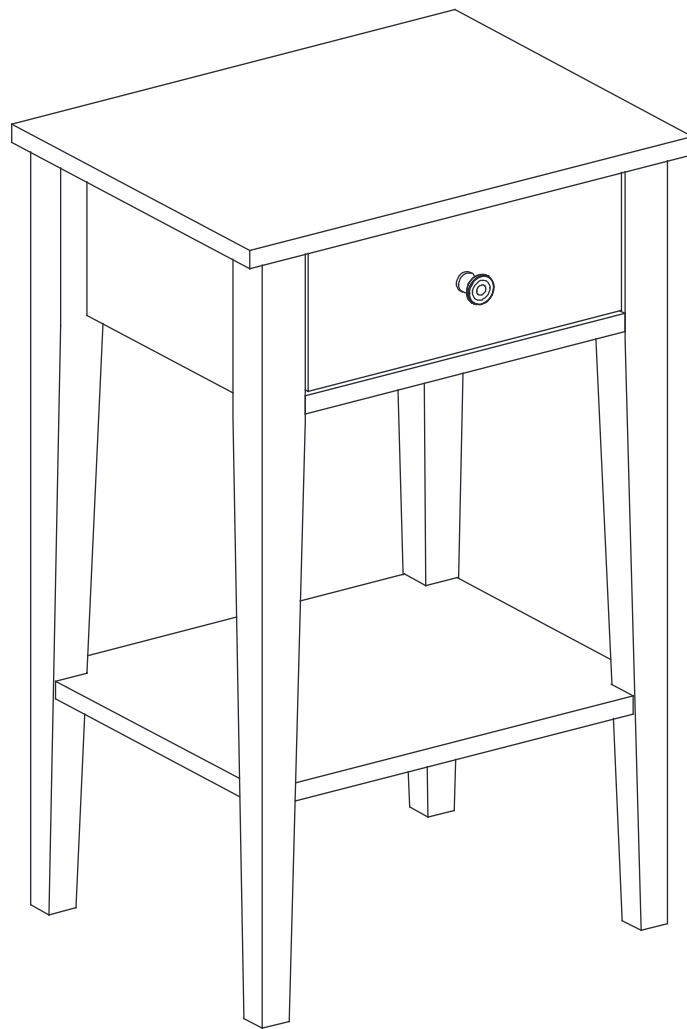
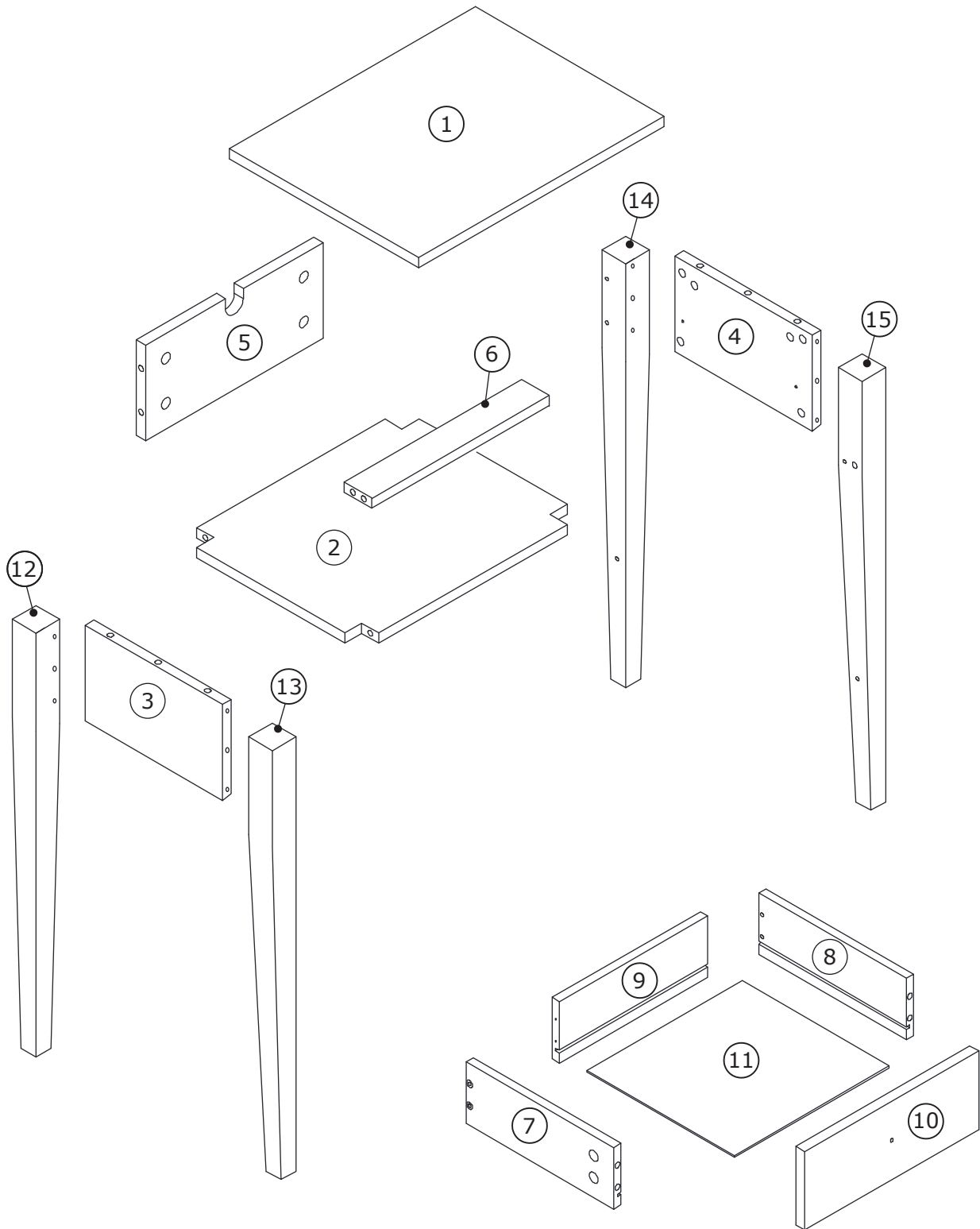

ASSEMBLY INSTRUCTIONS

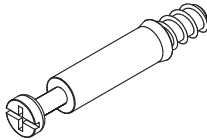
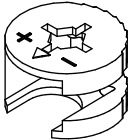
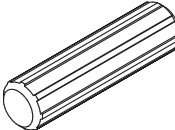
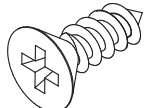
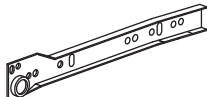
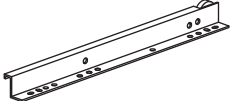
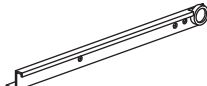
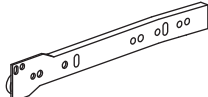

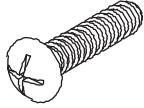
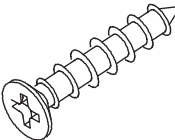
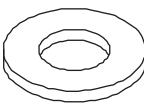
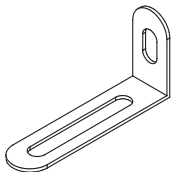

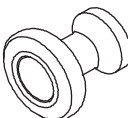
<<Before assembling, read all the instruction>>



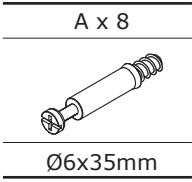
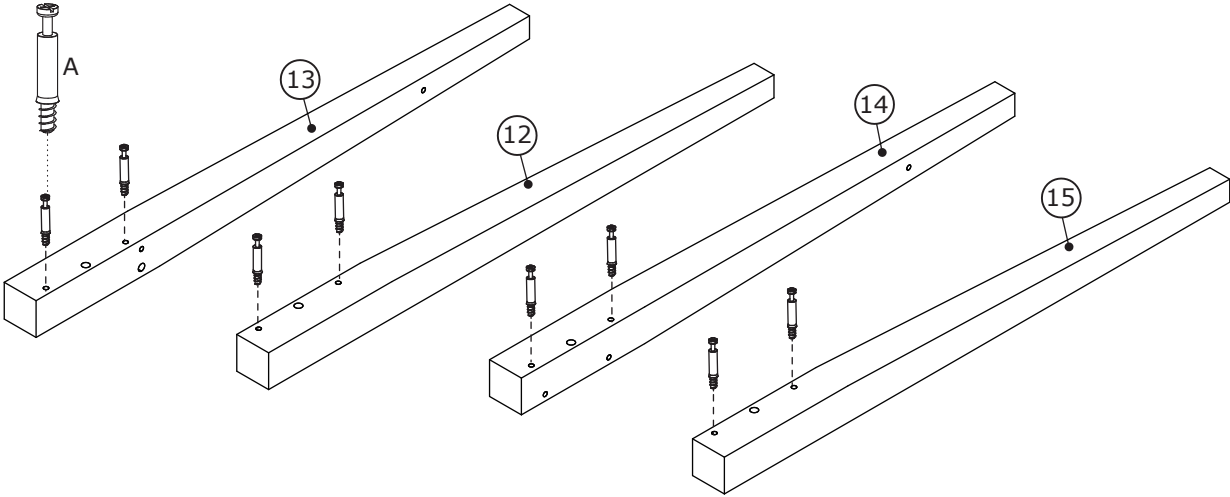
PANEL LIST



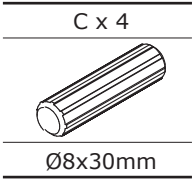
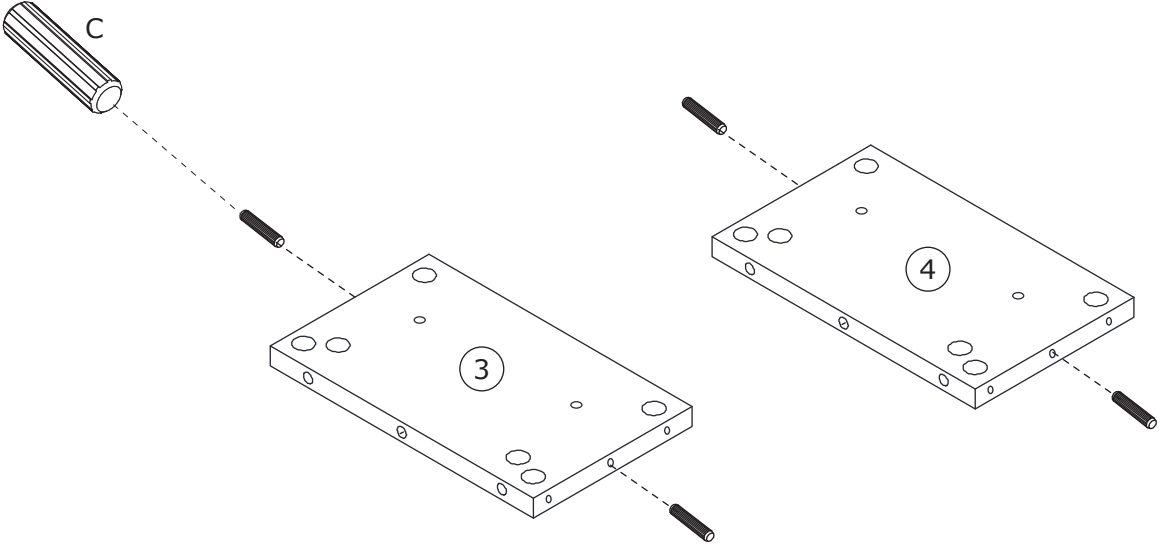
FITTING LIST

A x 26	B x 26	C x 8	D x 12
			
Ø6x35mm	Ø15x10mm	Ø8x30mm	Ø3,5x12mm
E x 1	F x 1	G x 1	H x 1
			
250mm	250mm	250mm	250mm
I x 4	J x 1	K x 4	L x 2
			
Ø25x3mm	Ø4x22mm	Ø3,5x30mm	Ø12/Ø4x1mm
M x 1	N x 4	O x 1	
			
76x30x15mm	Ø20mm	Ø31x23mm	

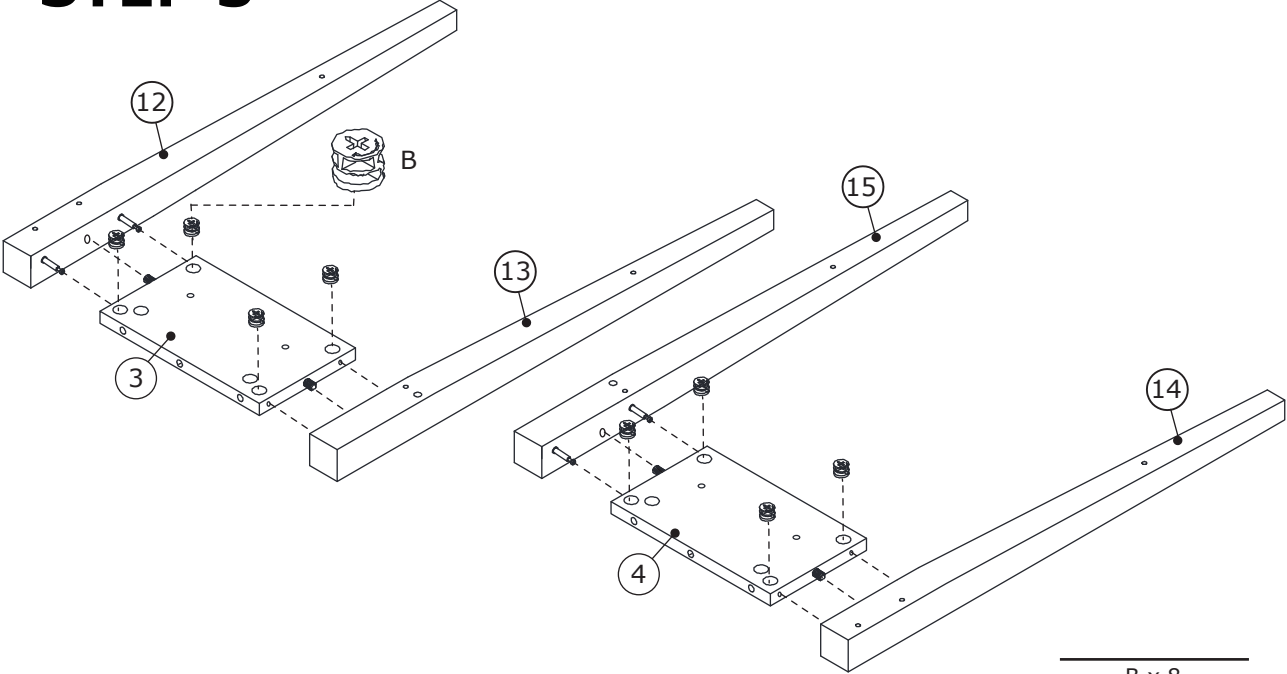
STEP 1



STEP 2



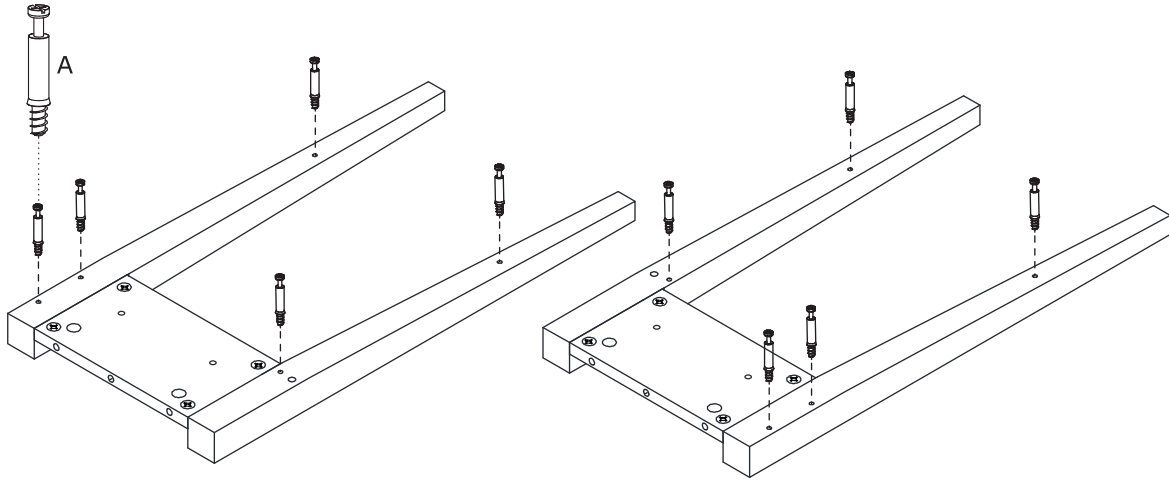
STEP 3



B x 8

Ø15x10mm

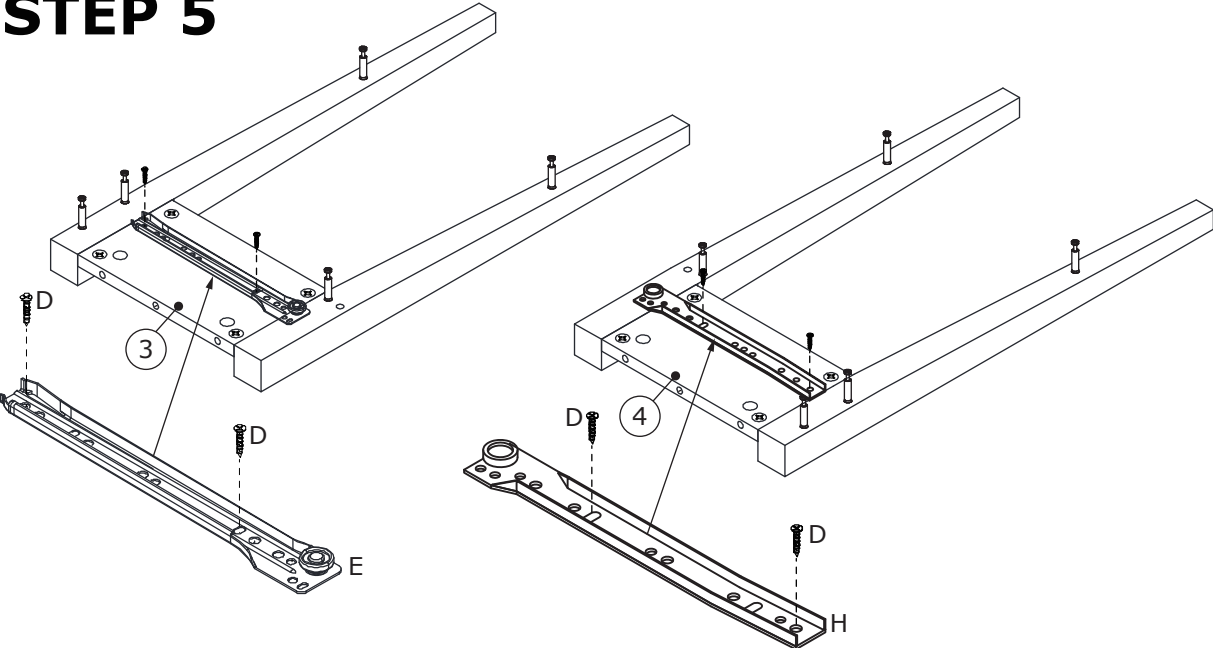
STEP 4

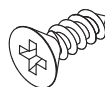
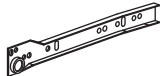
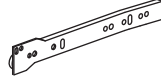


A x 10

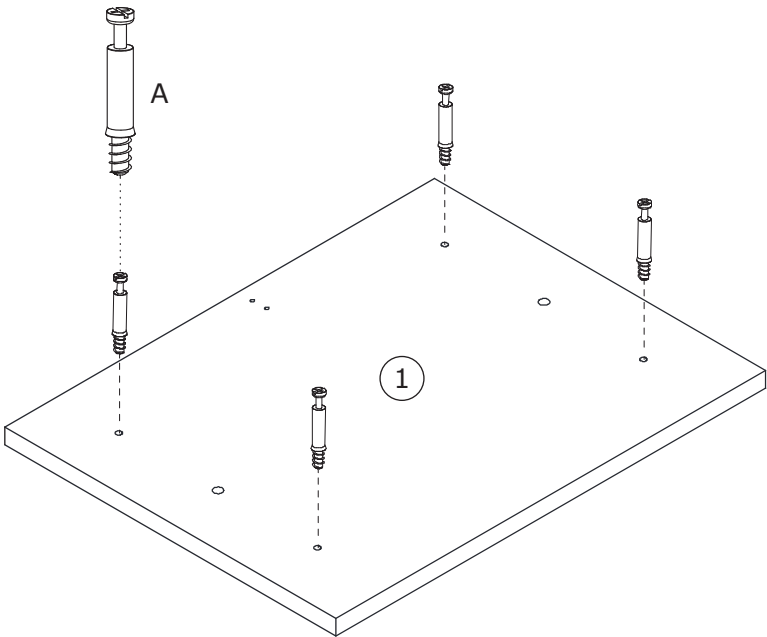
Ø6x35mm

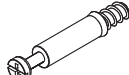
STEP 5



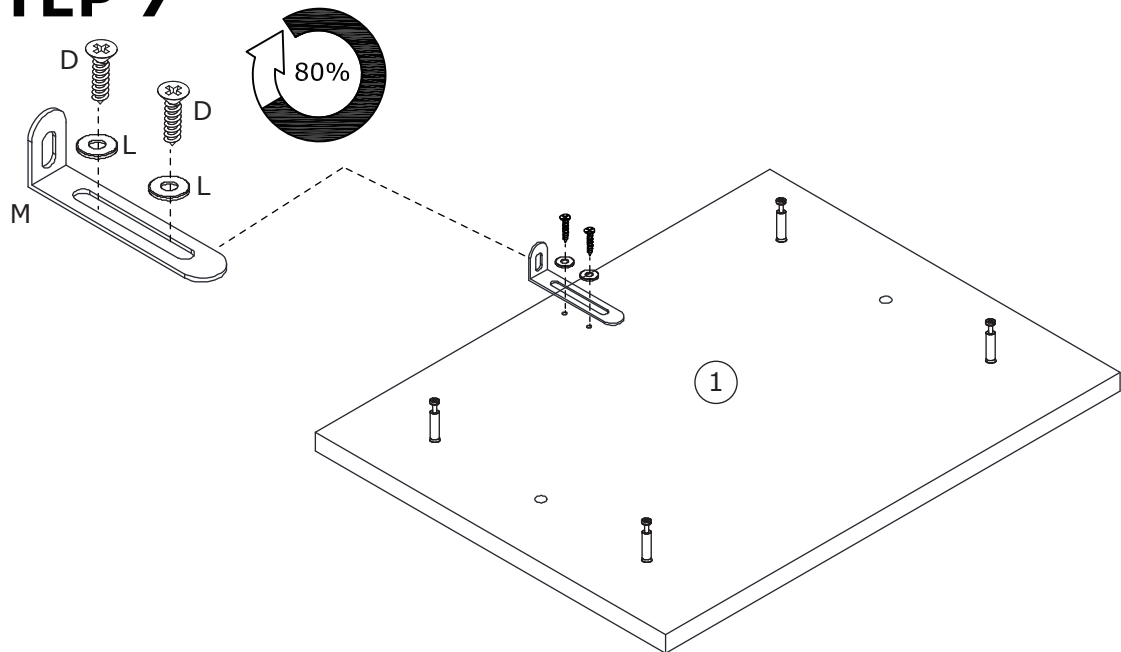
D x 4	E x 1	H x 1
		
Ø3,5x12mm	250mm	250mm

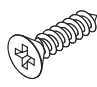
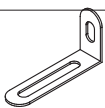
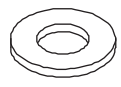
STEP 6



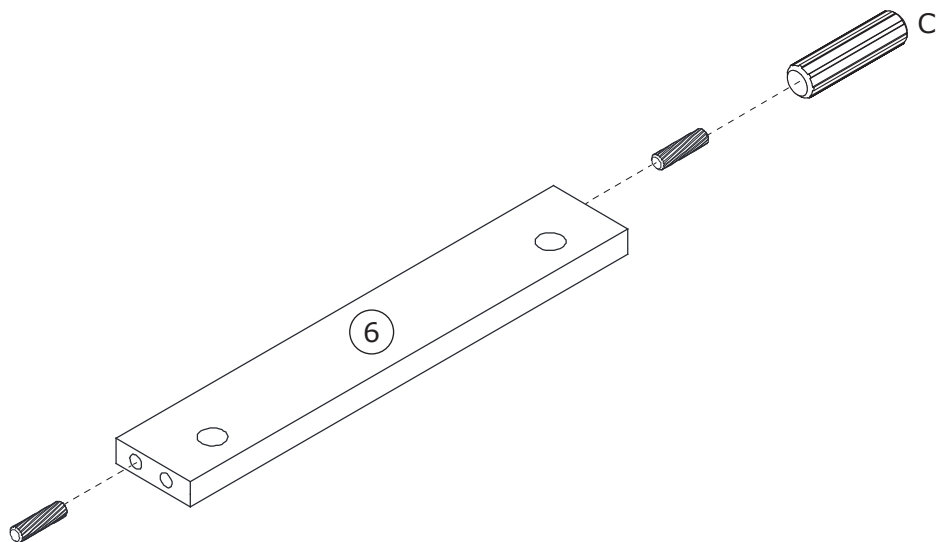
A x 4

Ø6x35mm

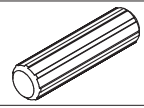
STEP 7



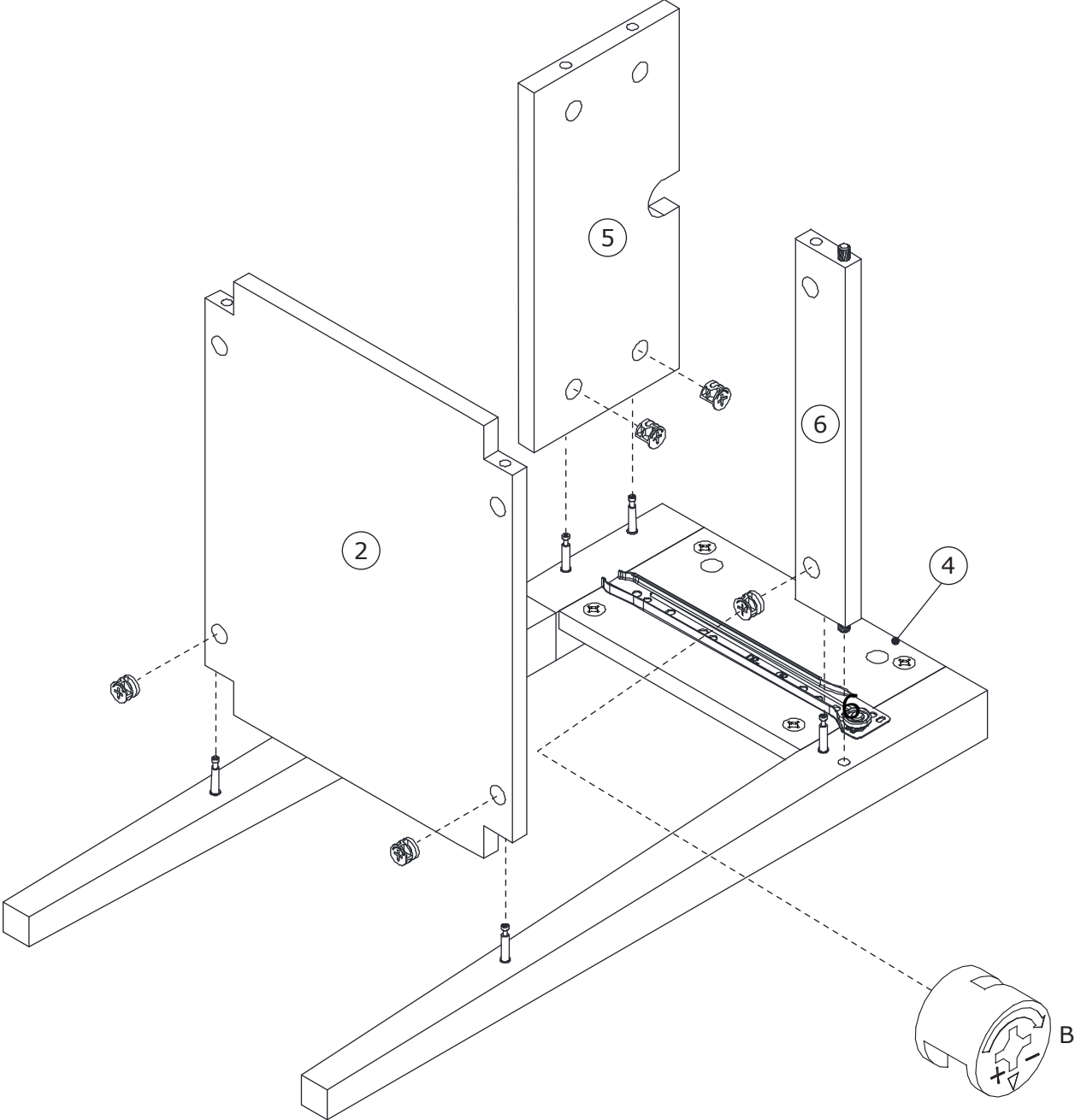
D x 2	M x 1	L x 2
		
Ø3,5x12 mm	76x30x15 mm	Ø12/Ø4x1mm

STEP 8



C x 2

Ø8x30mm

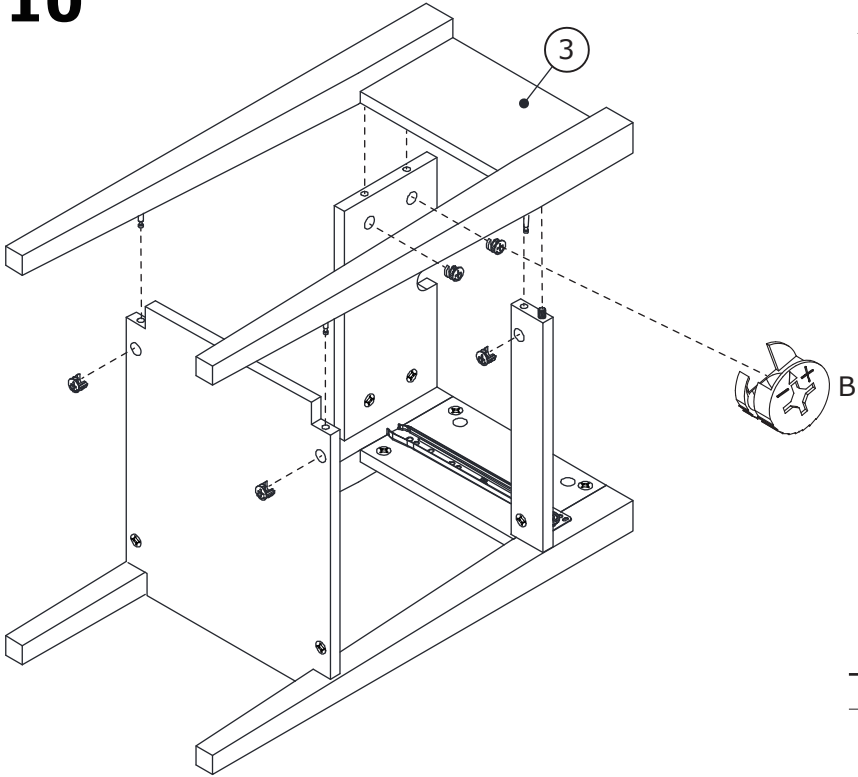
STEP 9




B x 5

Ø15x10mm

STEP 10

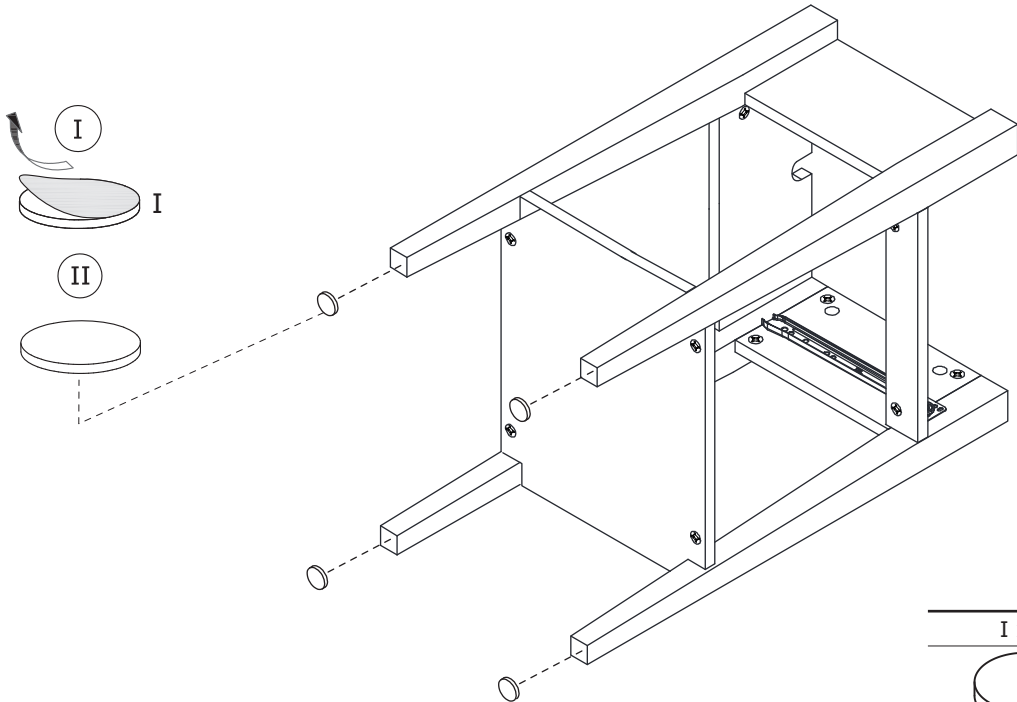


B x 5




Ø15x10mm

STEP 11

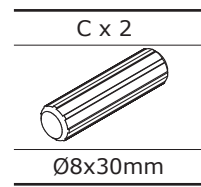
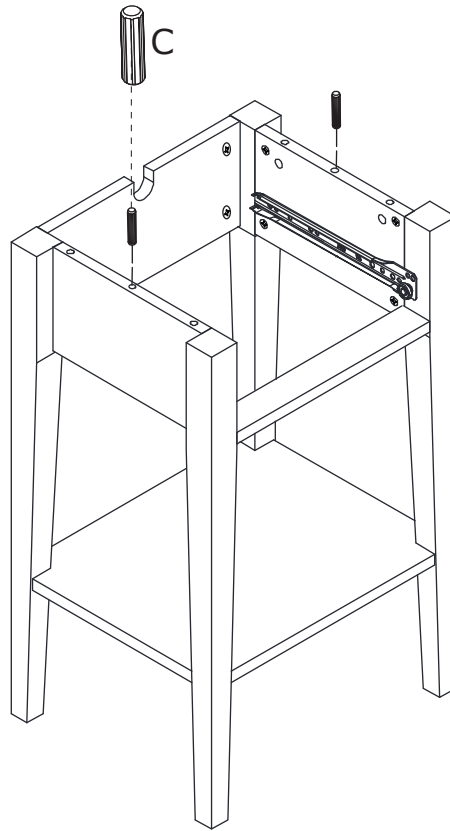


I x 4

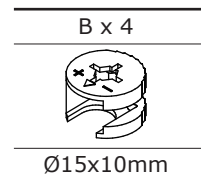
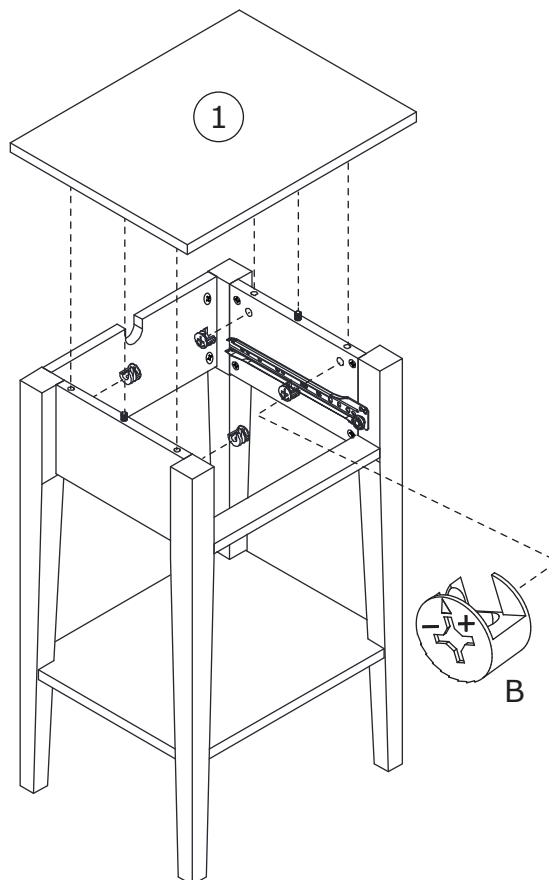


Ø25x3mm

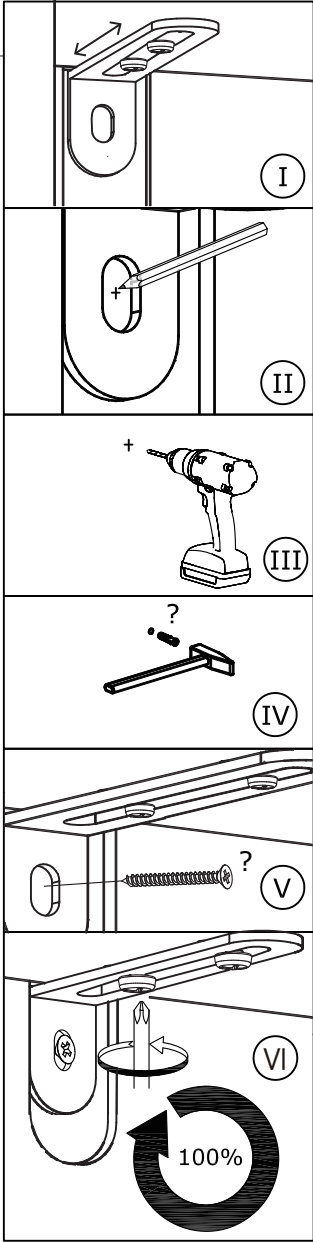
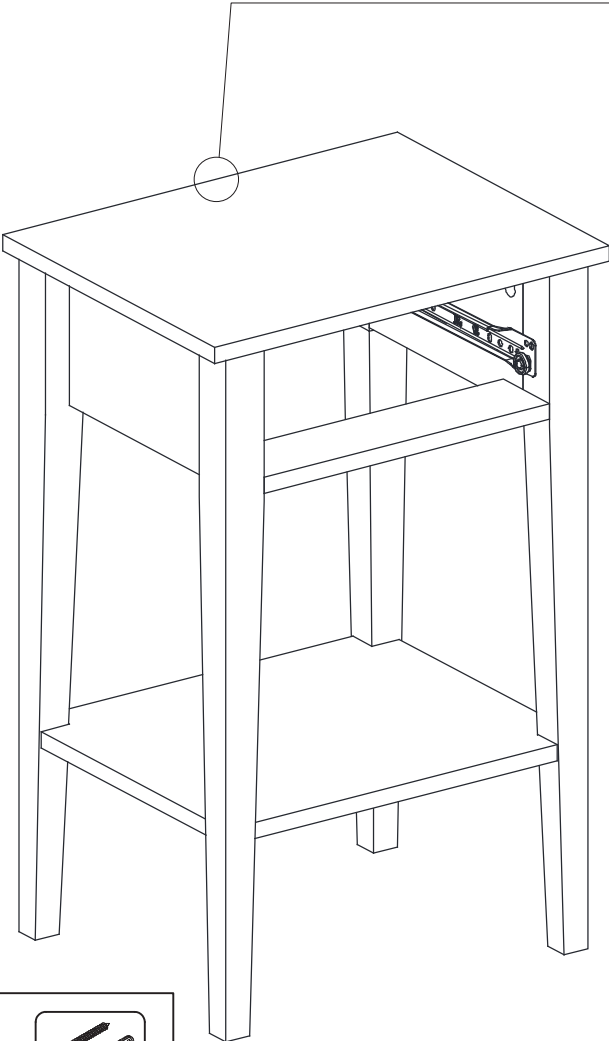
STEP 12



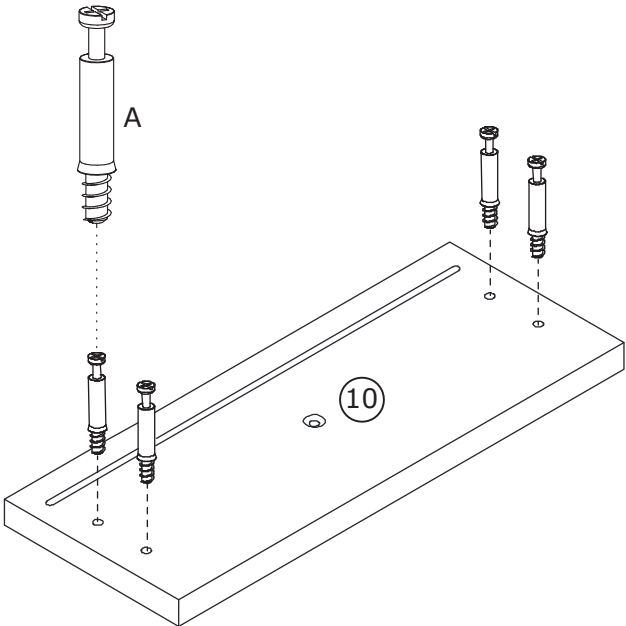
STEP 13



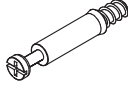
STEP 14



STEP 15

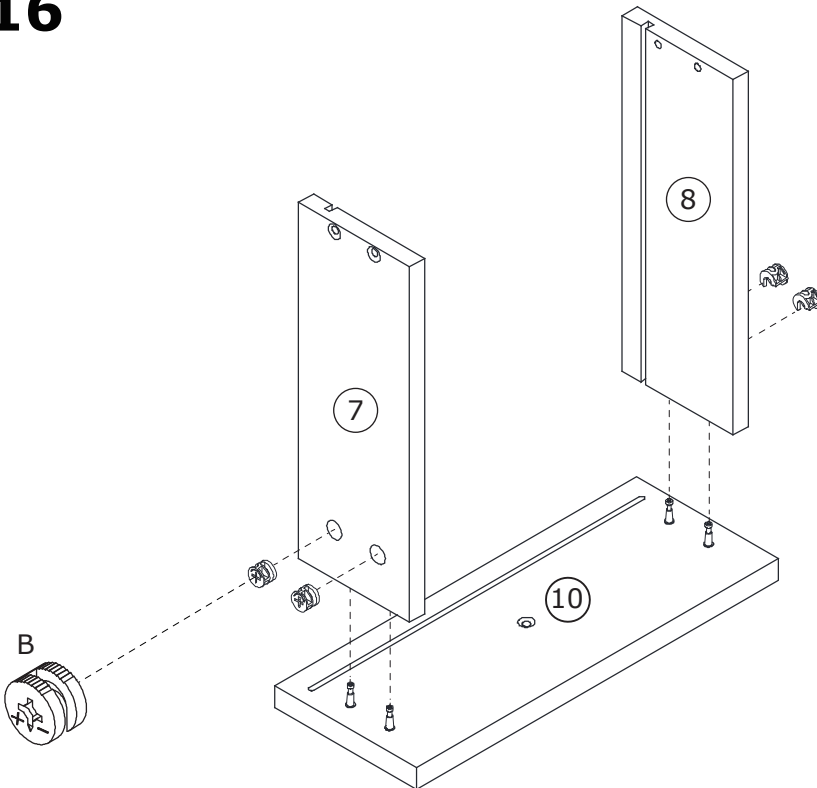


A x 4




Ø6x35mm

STEP 16

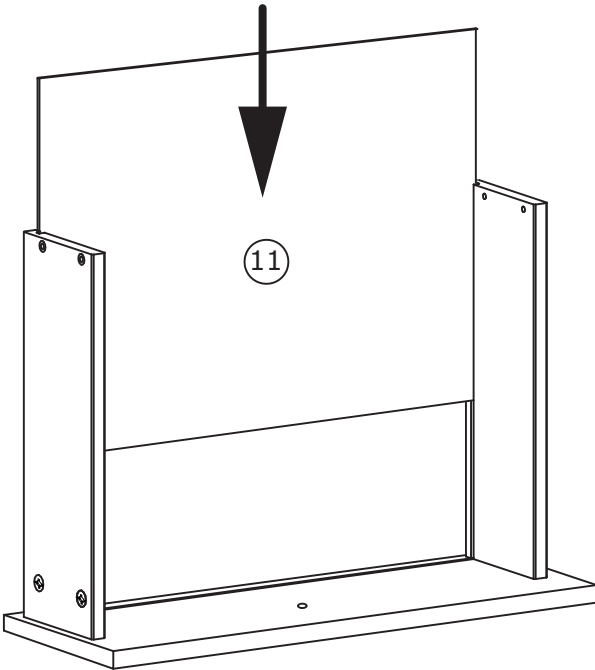


B x 4

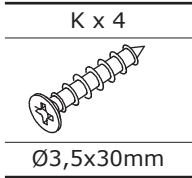
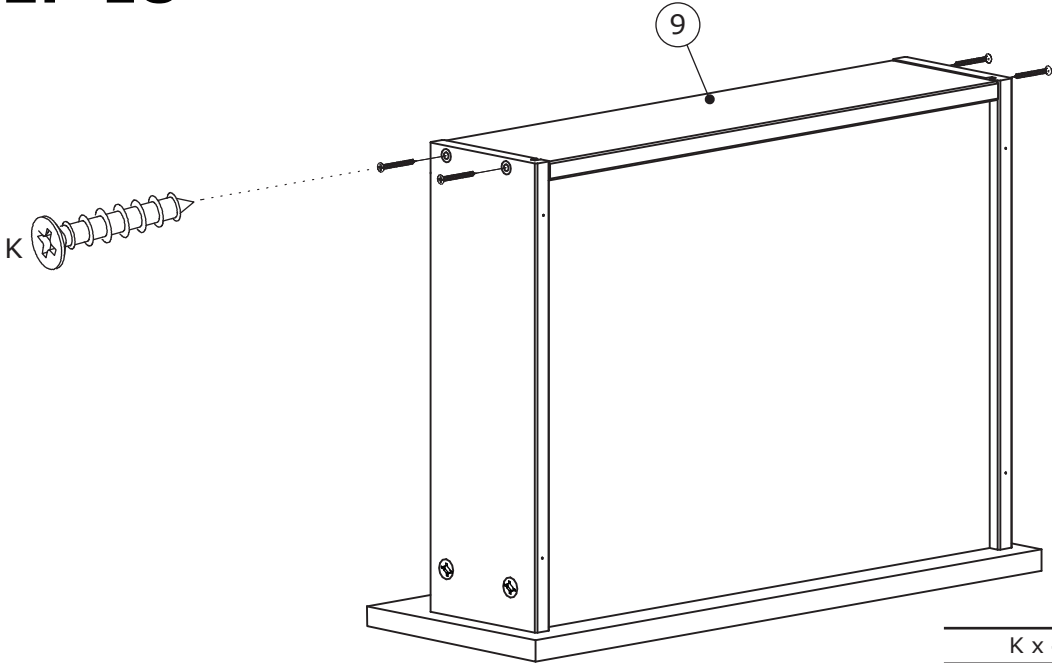


Ø15x10mm

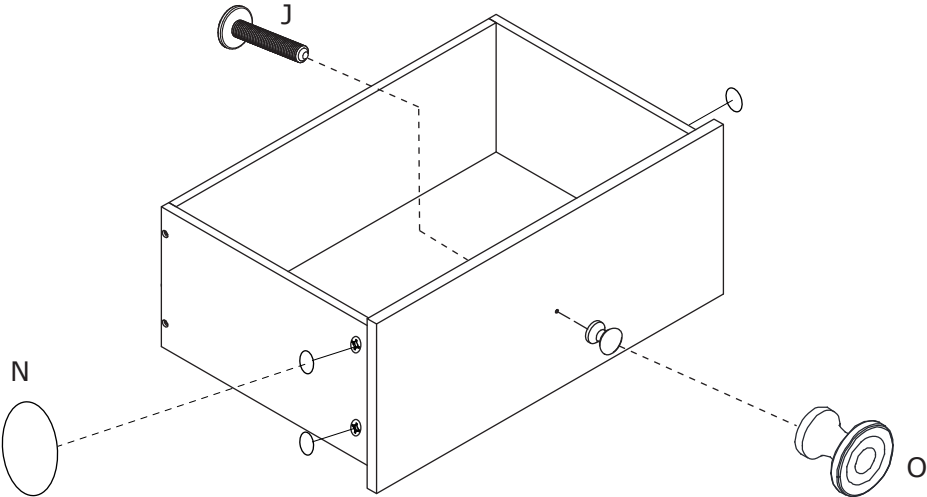
STEP 17






STEP 18

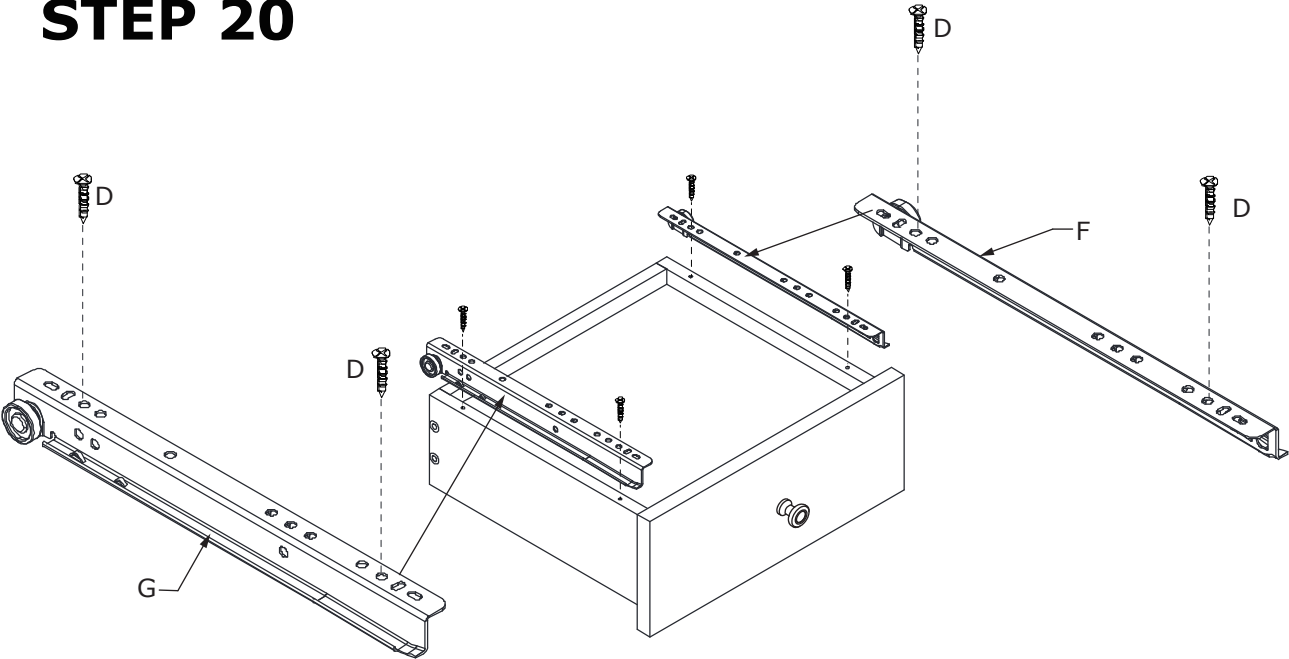



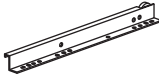

STEP 19



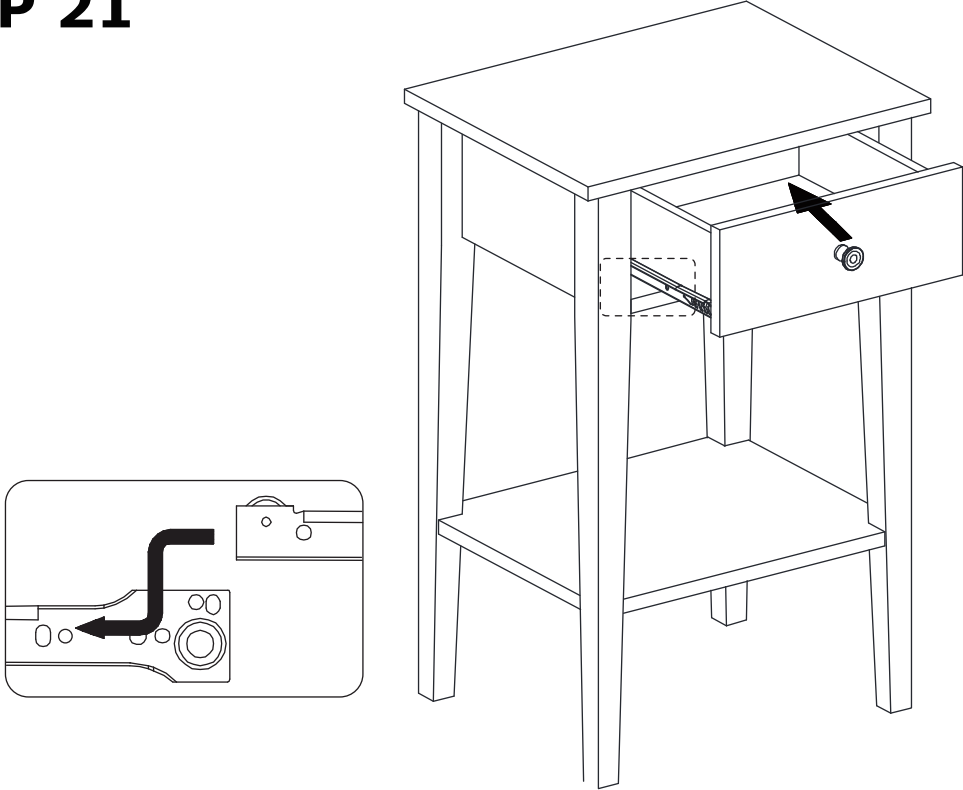
J x 1	O x 1	N x 4
		
Ø4x22mm	Ø31x23mm	Ø20mm

STEP 20

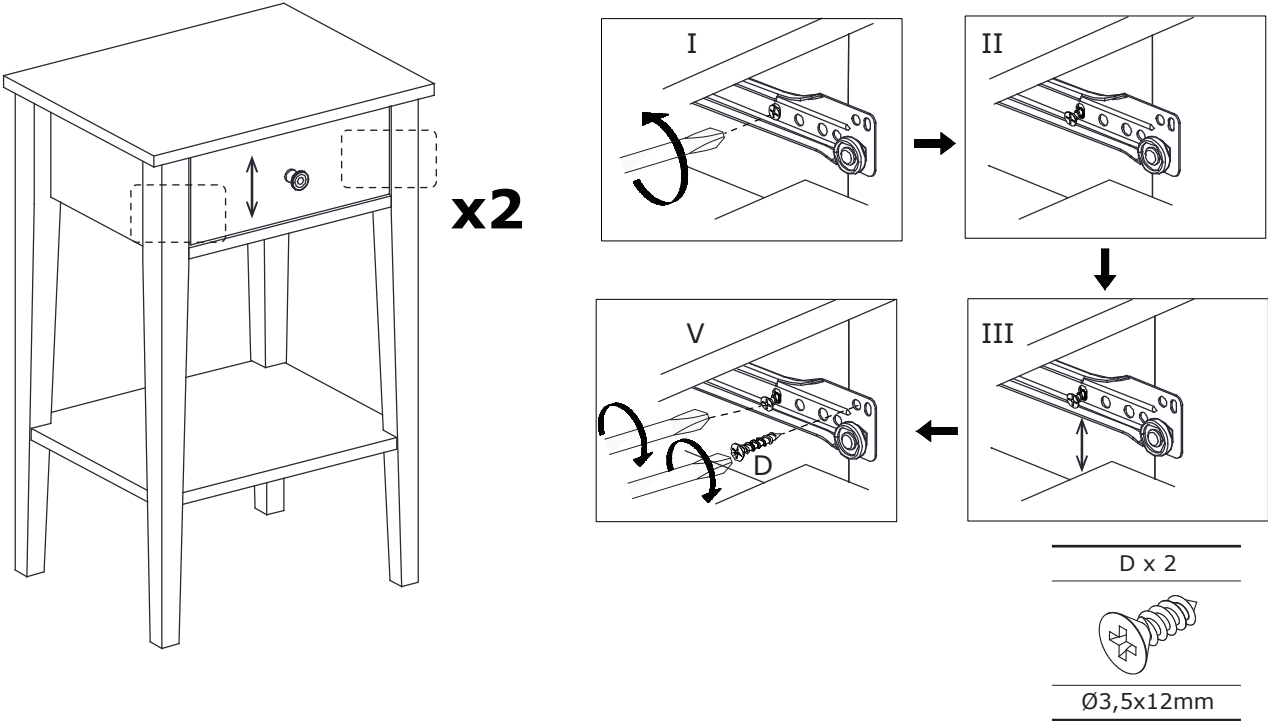


D x 4	F x 1	G x 1
		
Ø3,5x12mm	250mm	250mm

STEP 21



STEP 22



STEP 23

