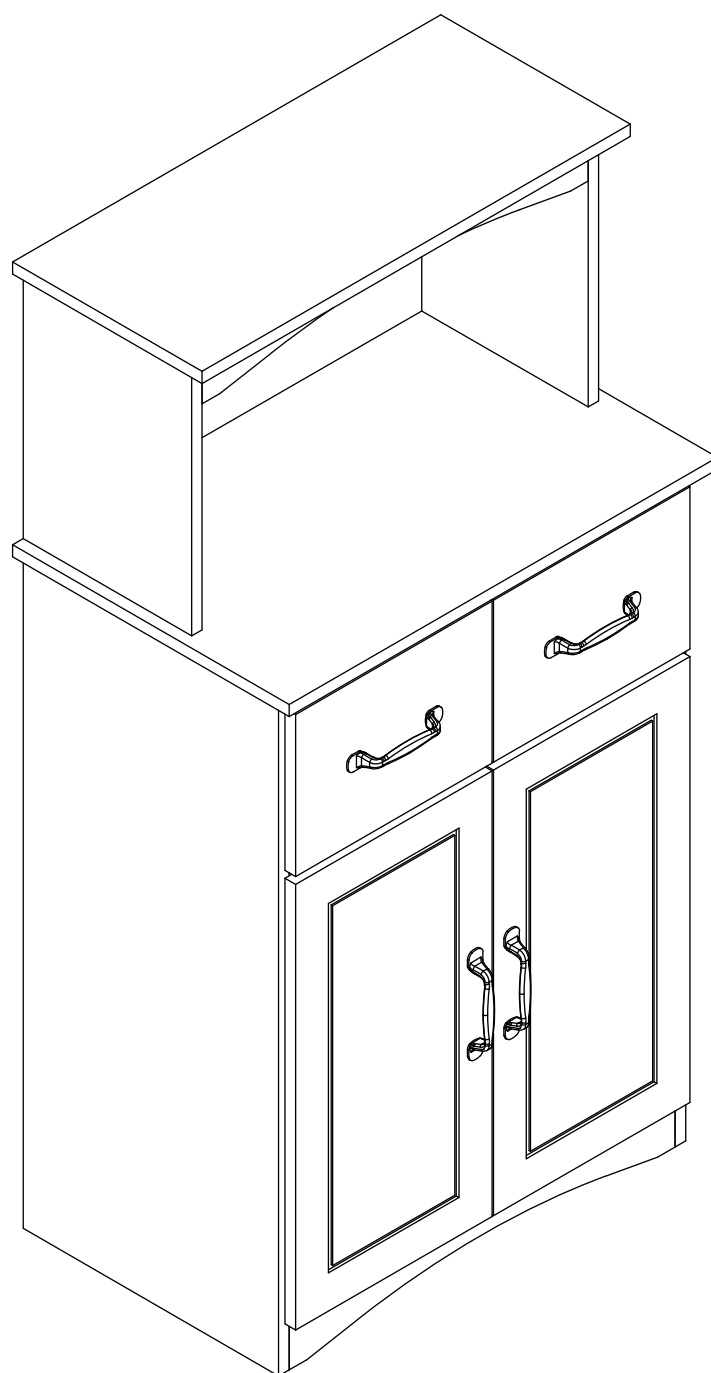
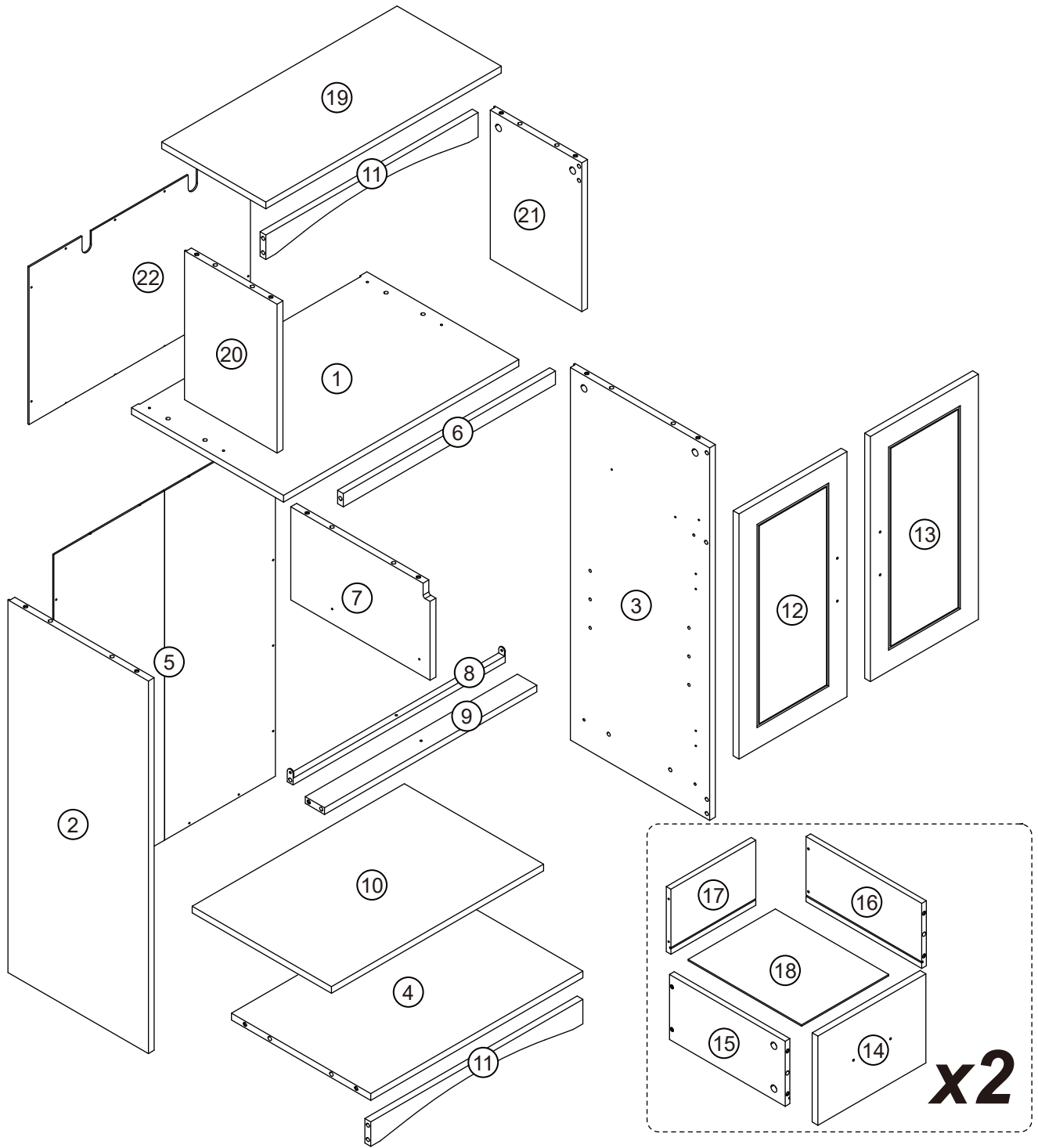


ASSEMBLY INSTRUCTIONS

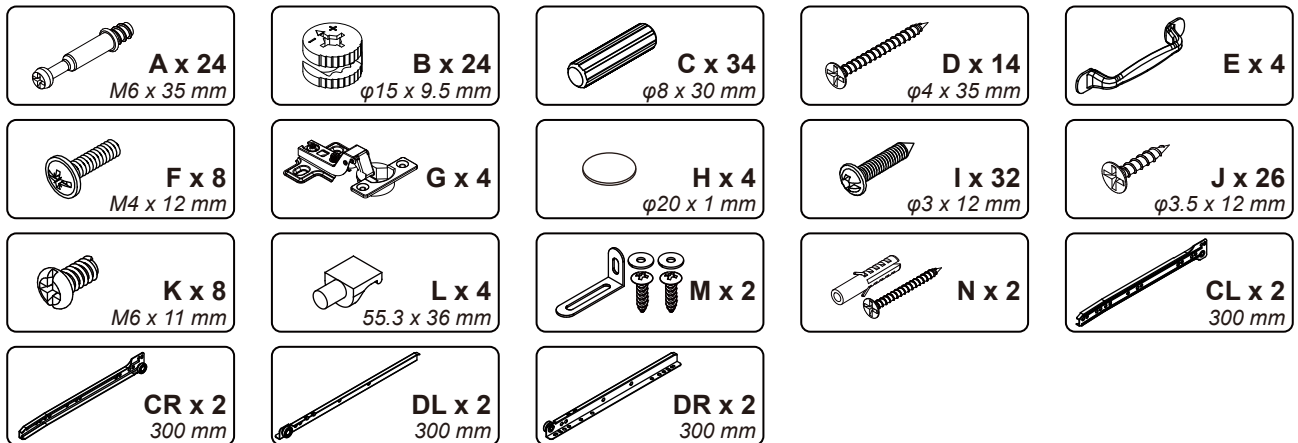
<<Before assembling, read all instructions>>



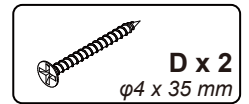
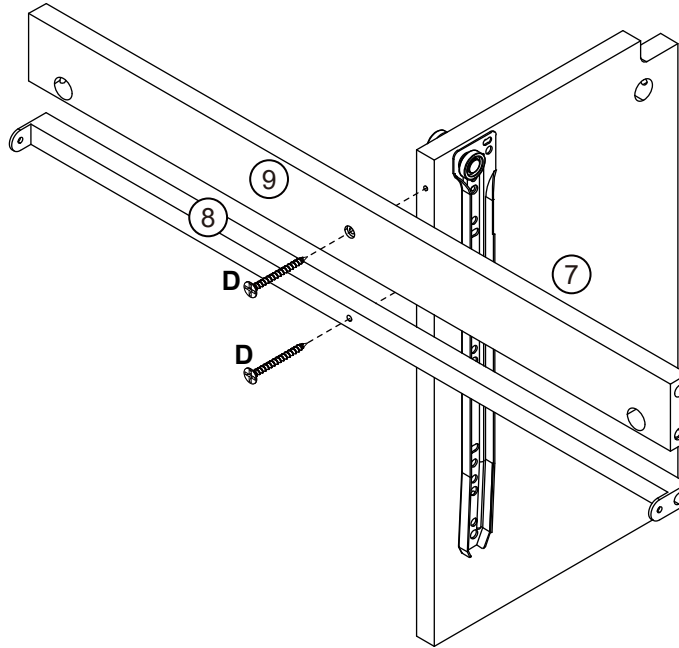
Exploded View



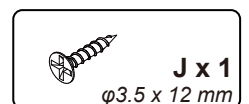
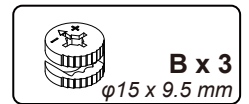
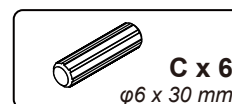
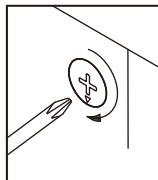
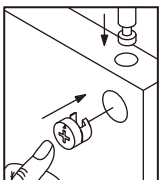
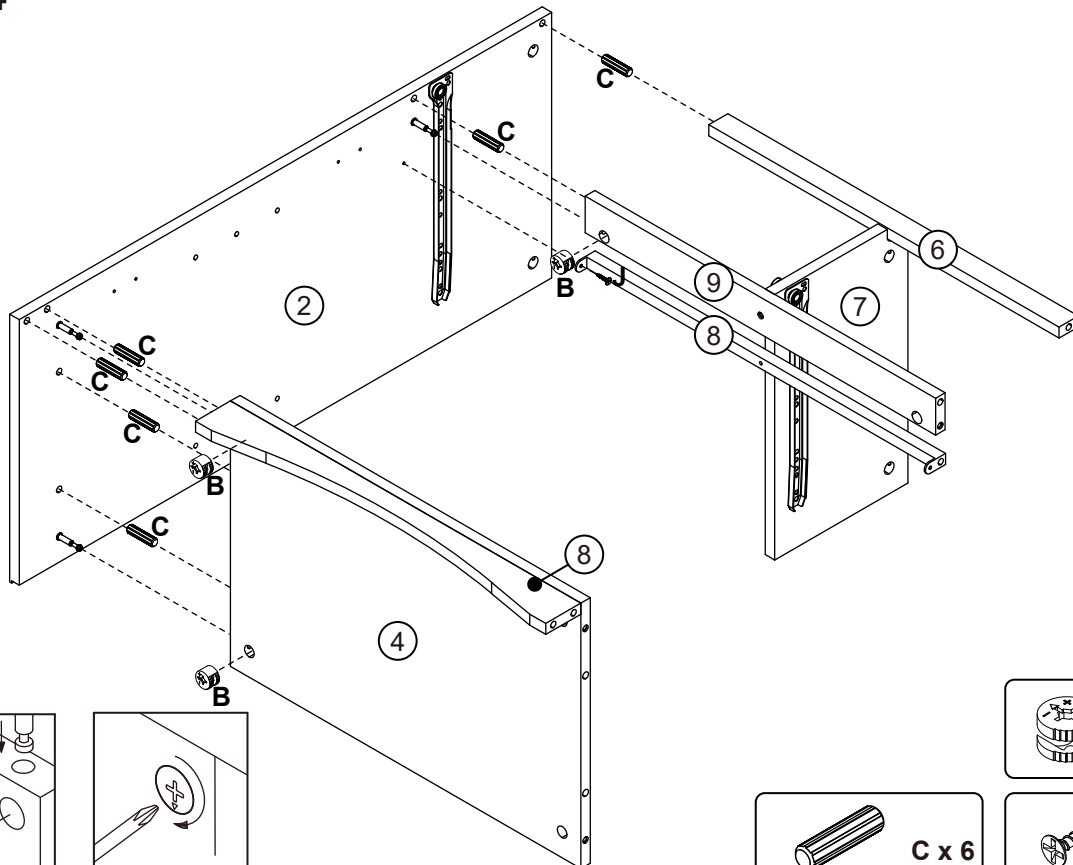
Fittings



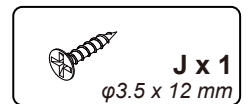
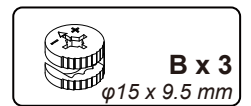
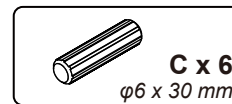
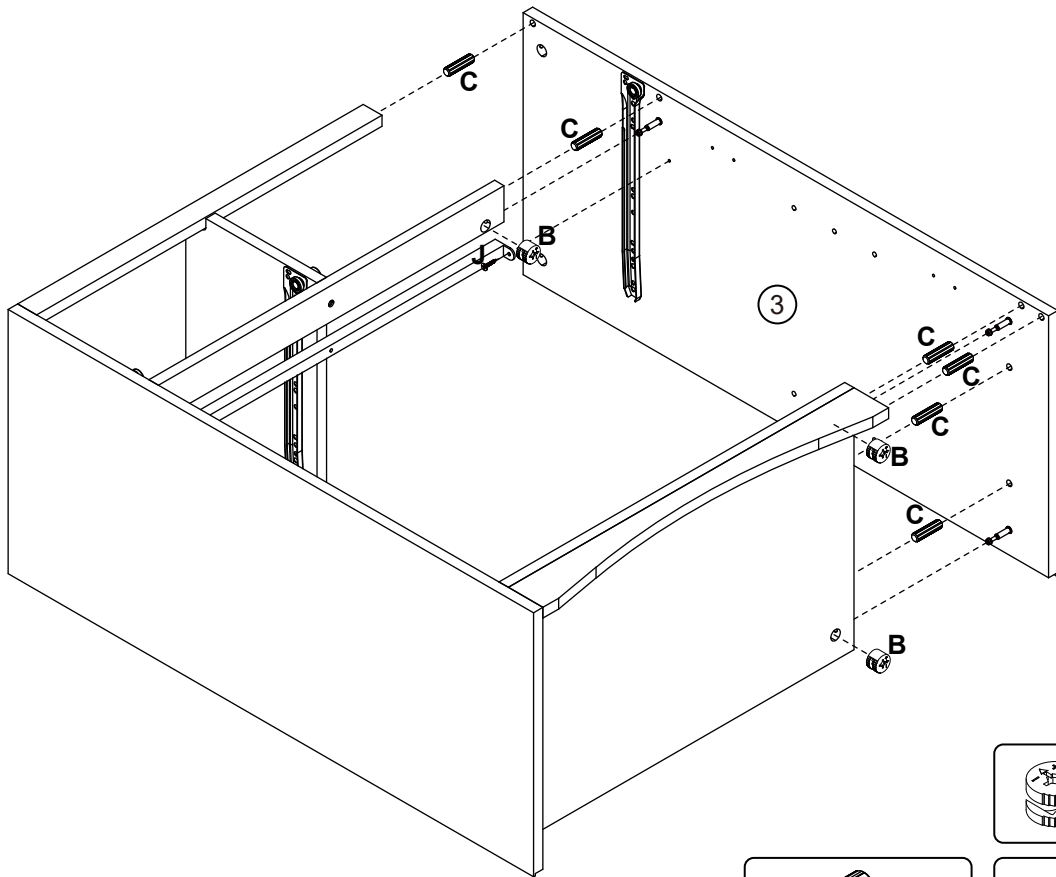
Step 3



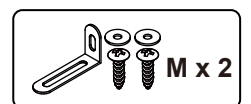
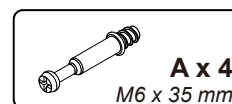
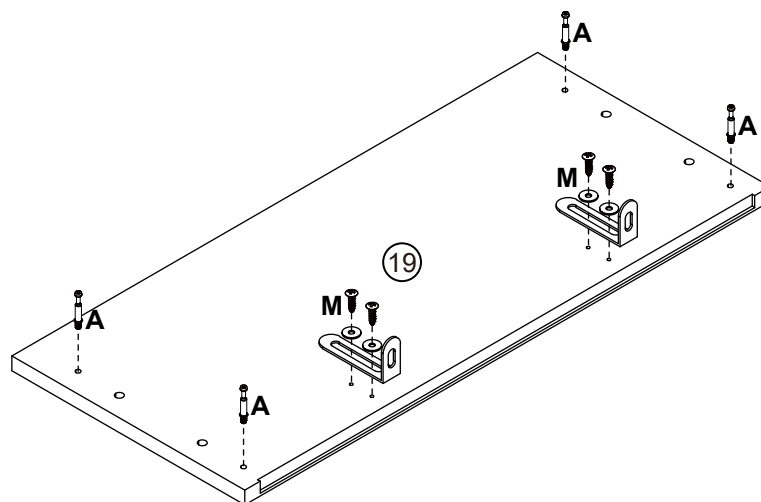
Step 4



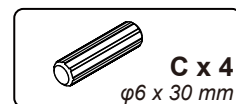
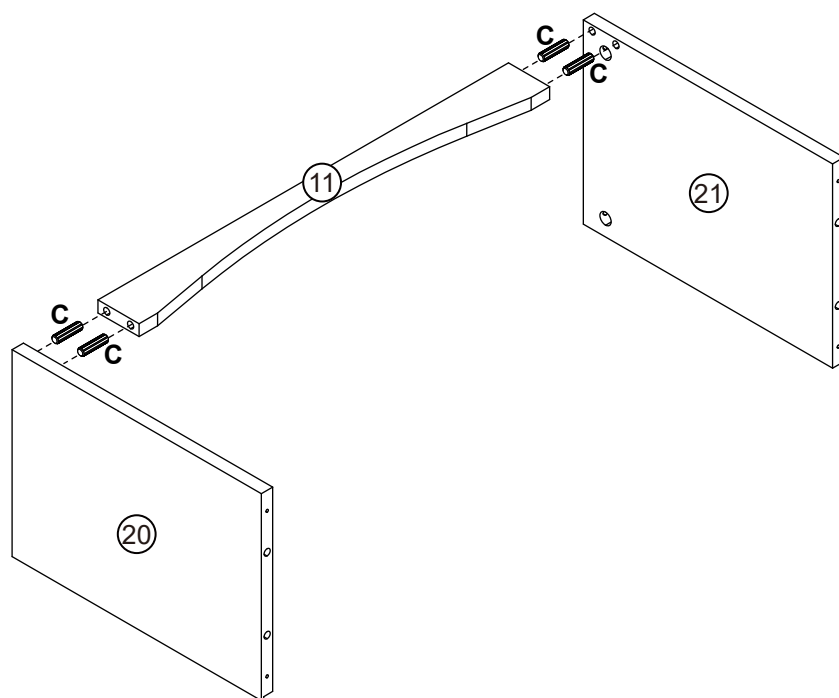
Step 5



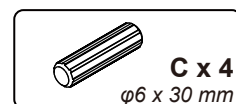
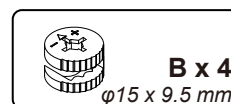
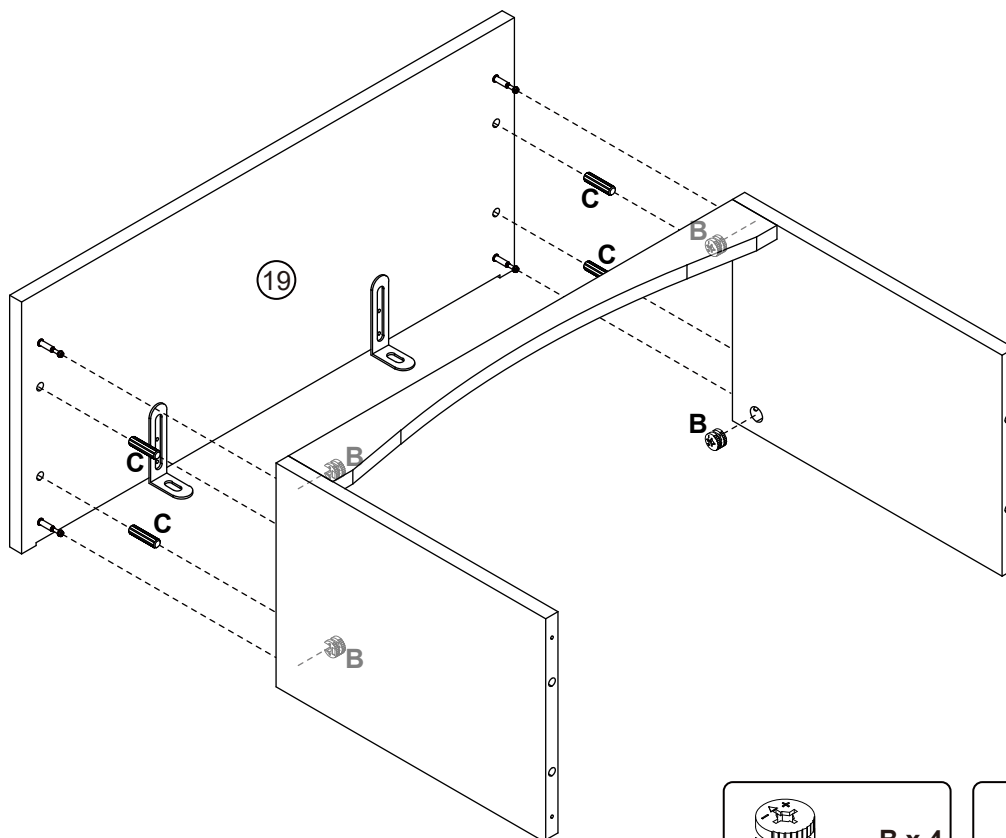
Step 6



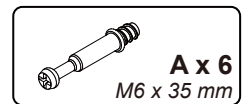
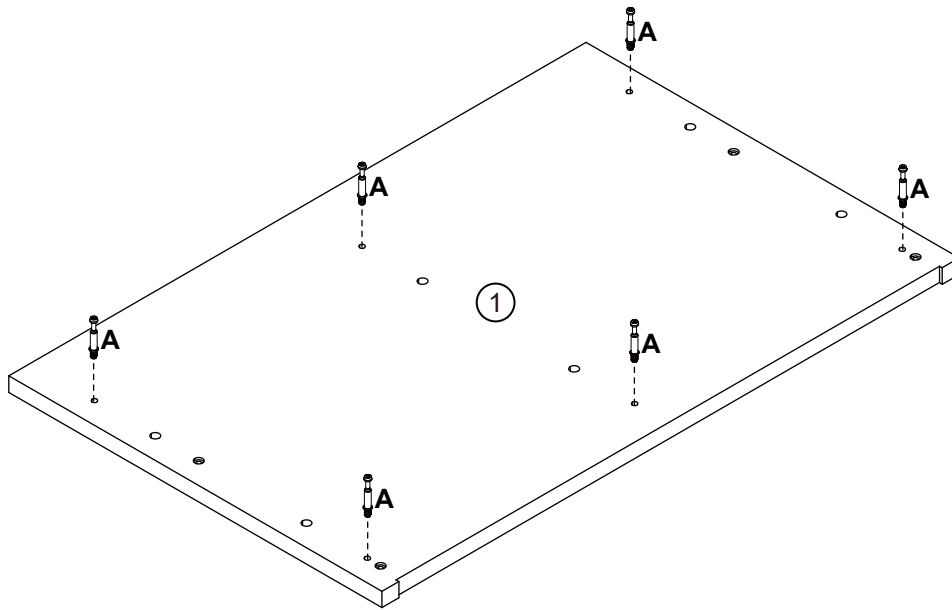
Step 7



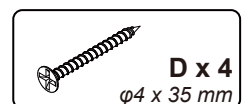
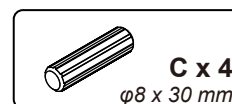
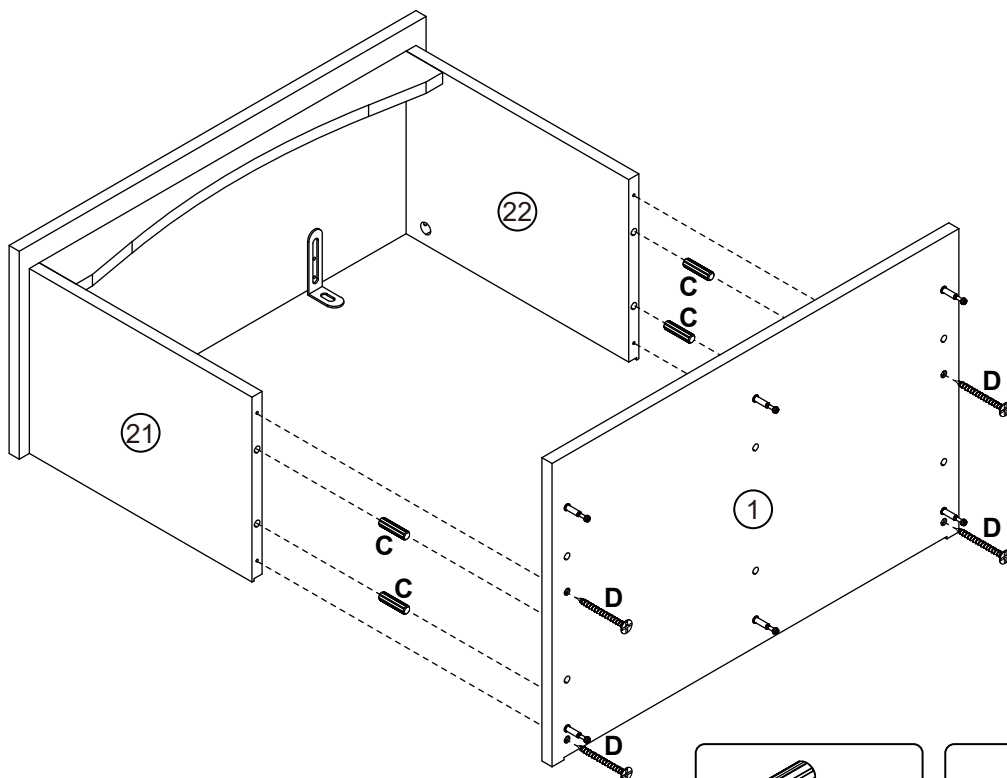
Step 8



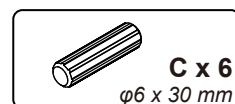
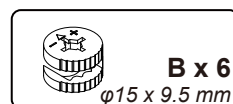
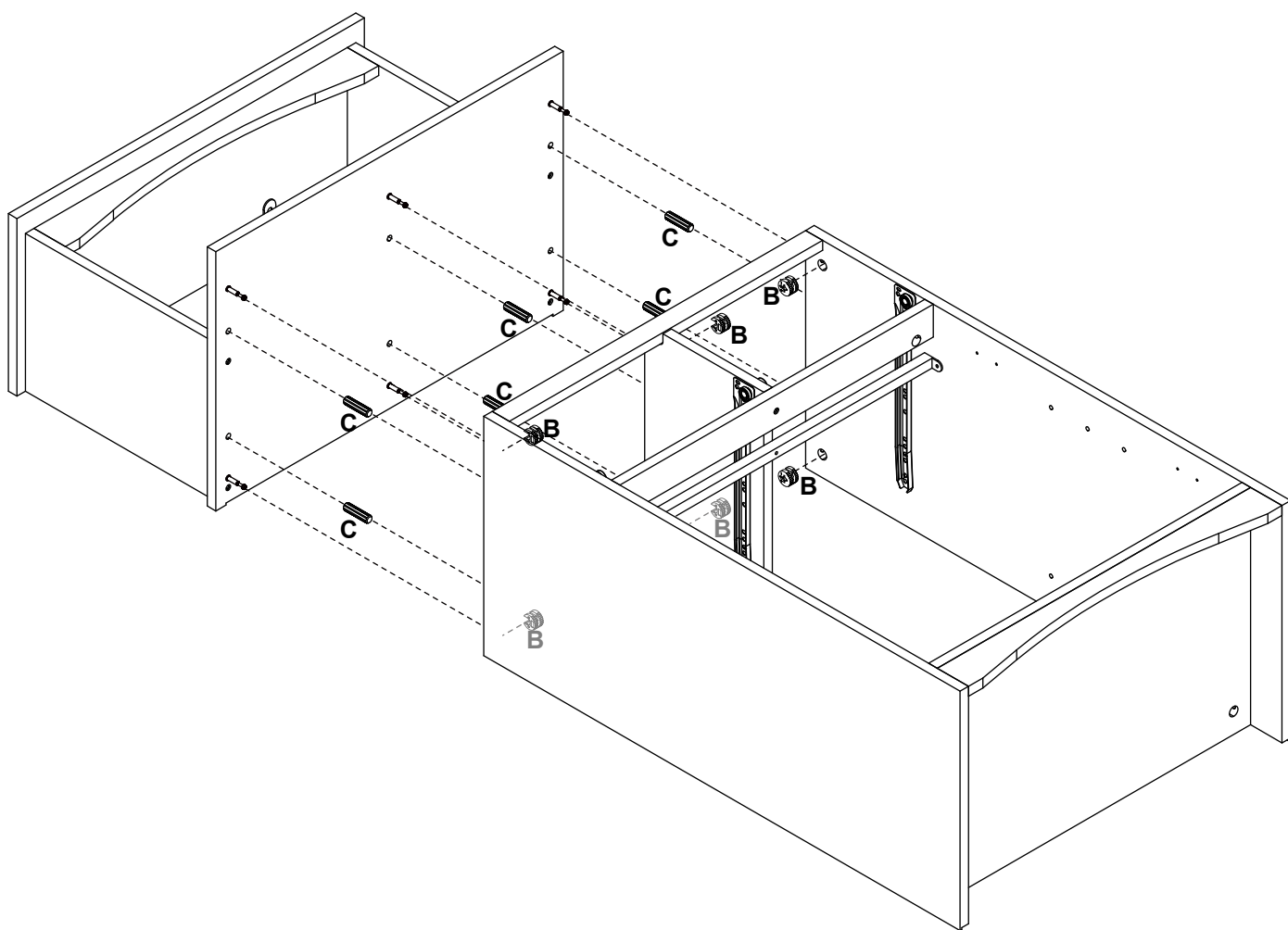
Step 9



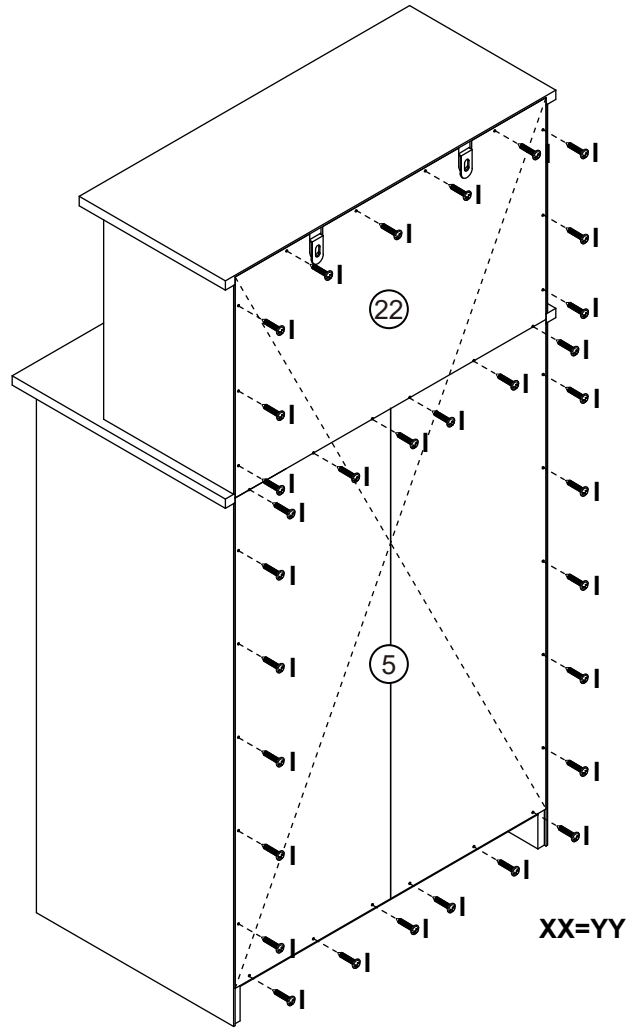
Step 10



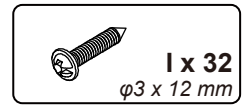
Step 11



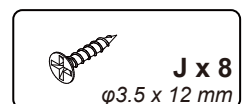
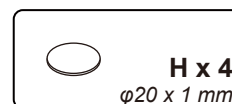
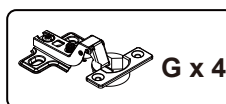
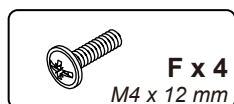
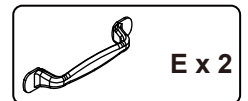
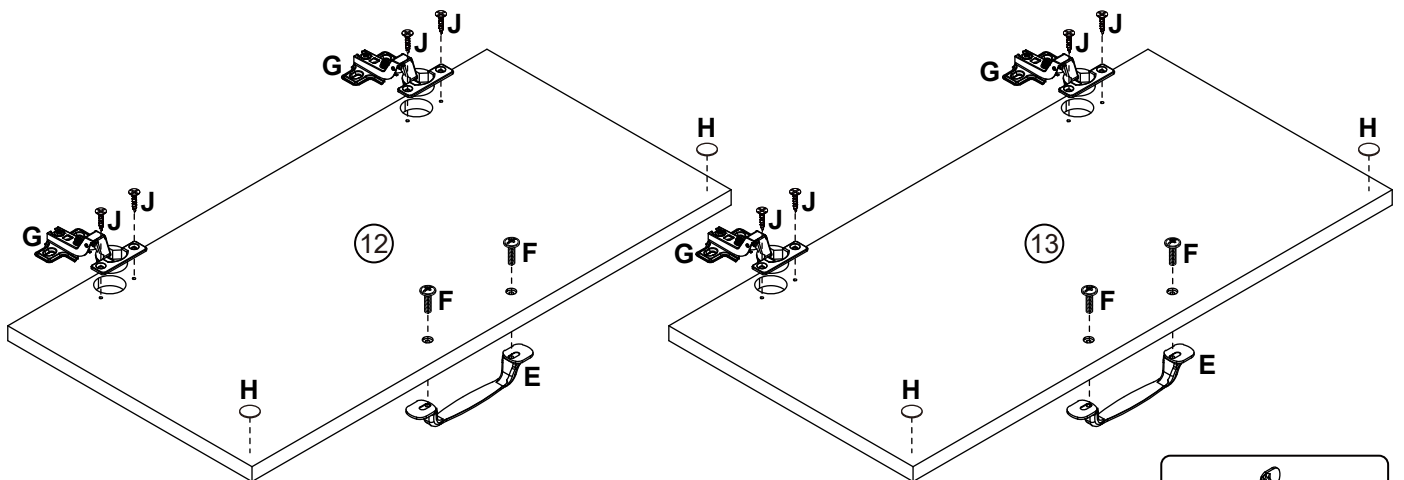
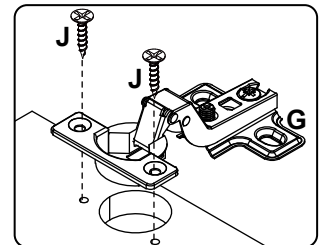
Step 12



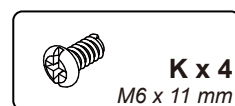
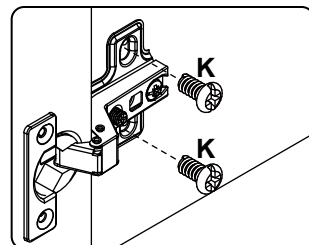
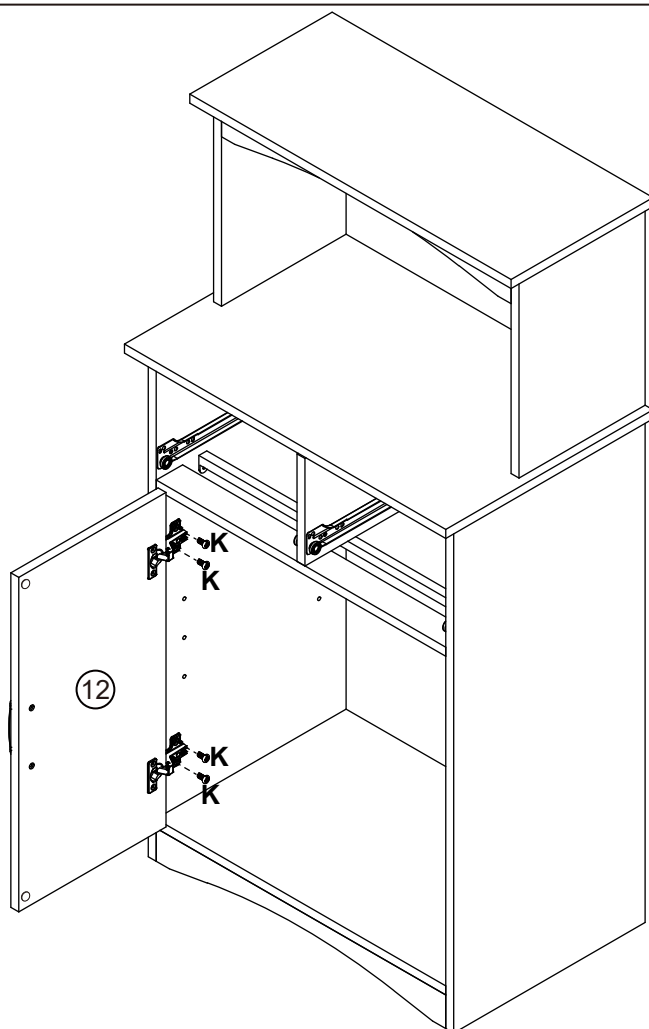
XX=YY



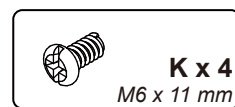
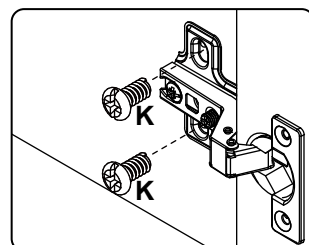
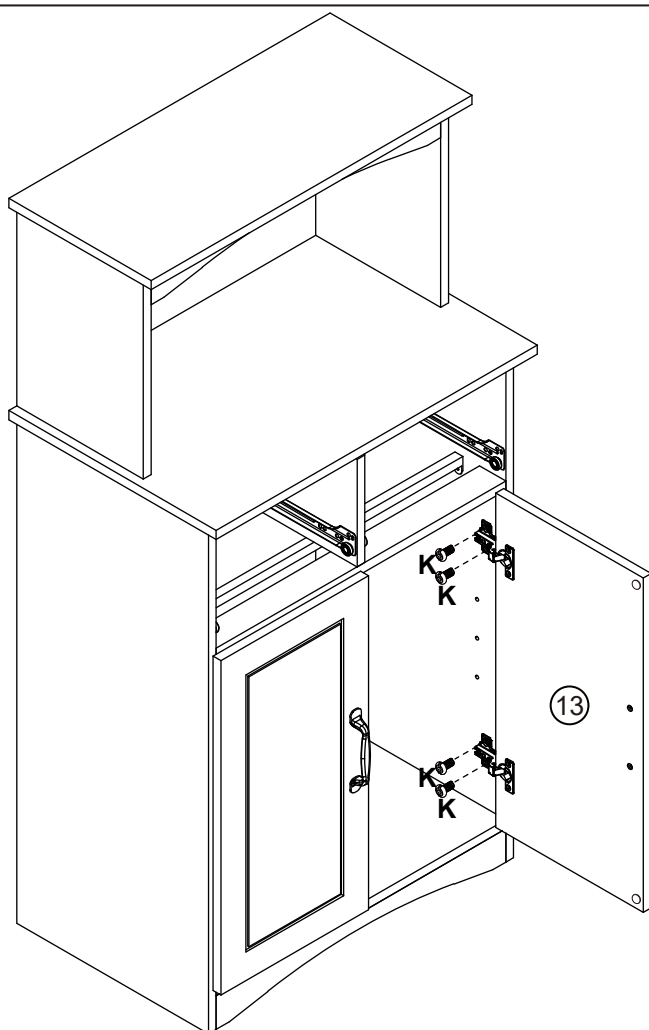
Step 13



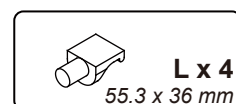
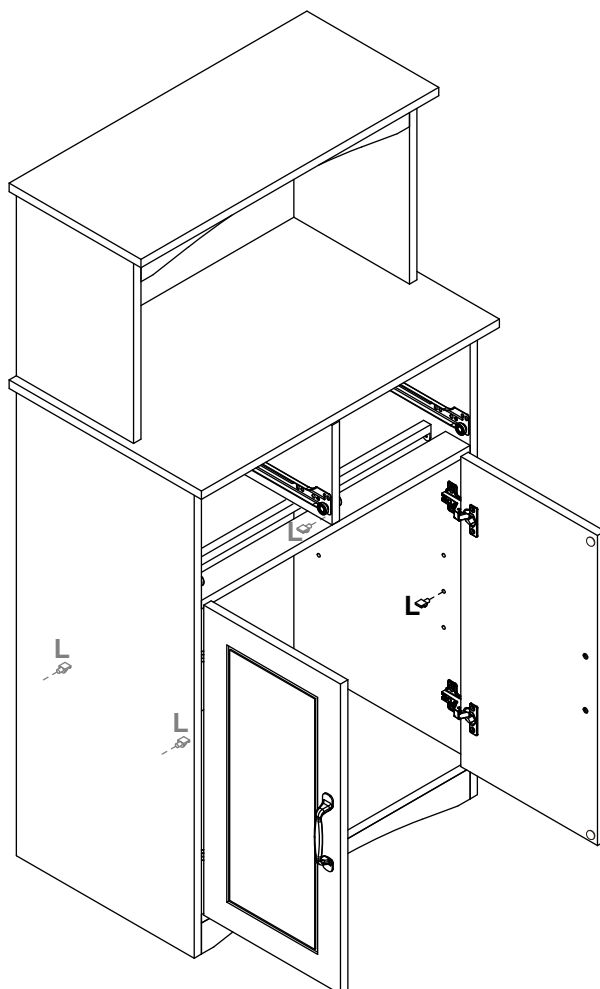
Step 14



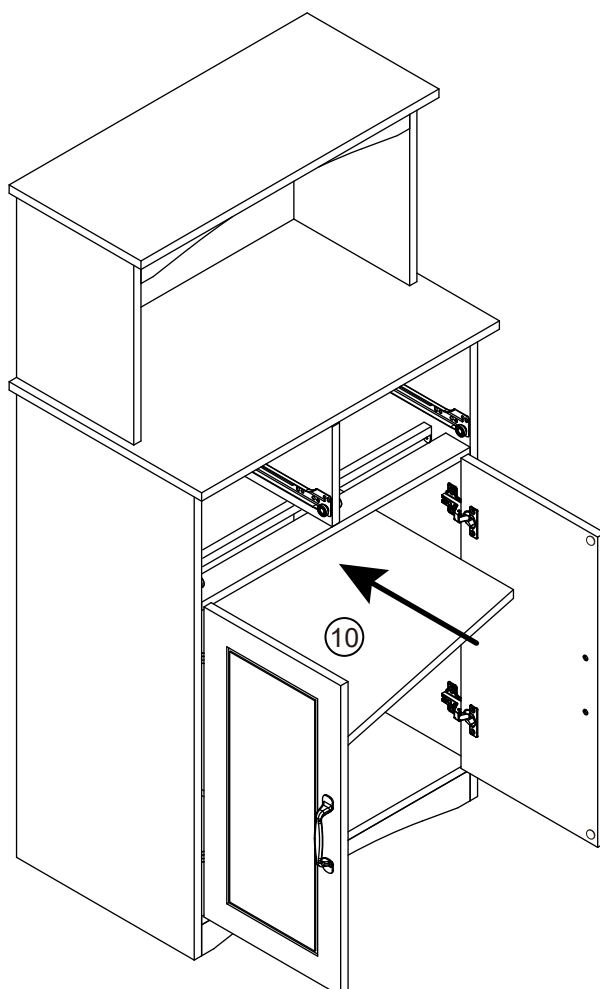
Step 15



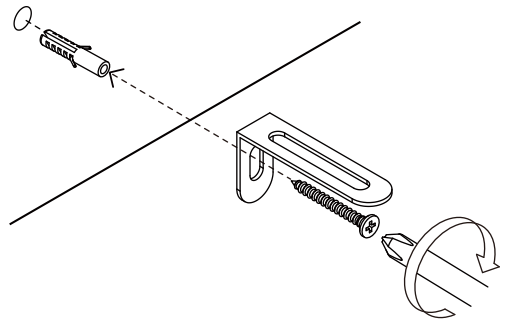
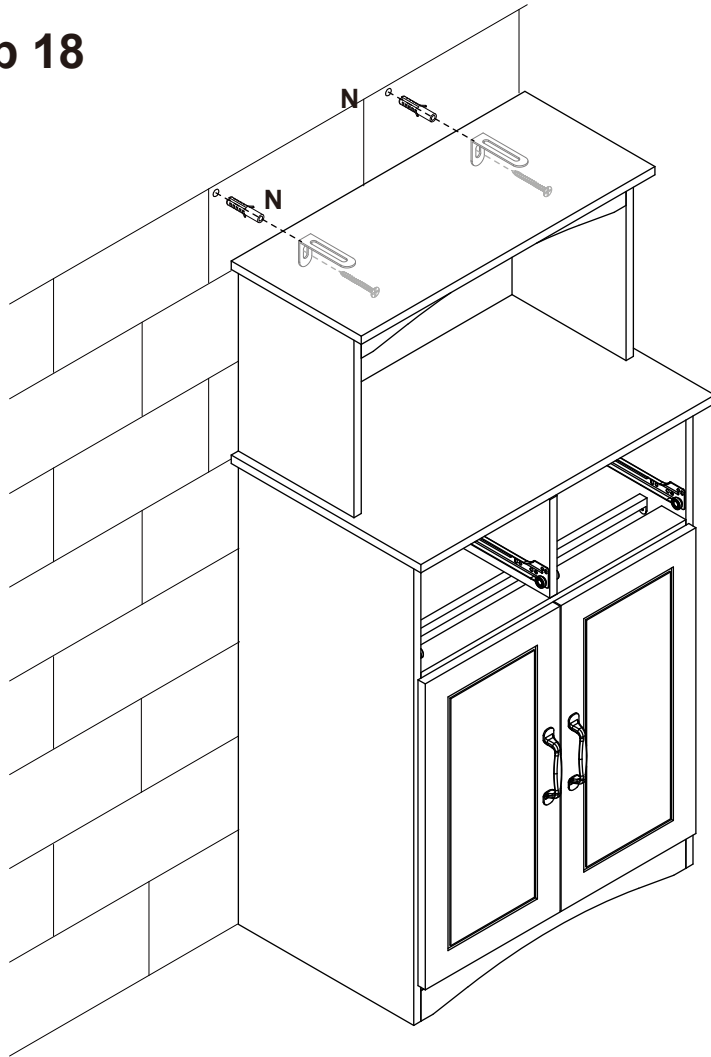
Step 16



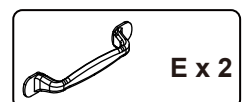
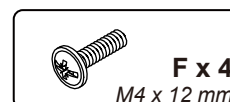
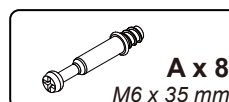
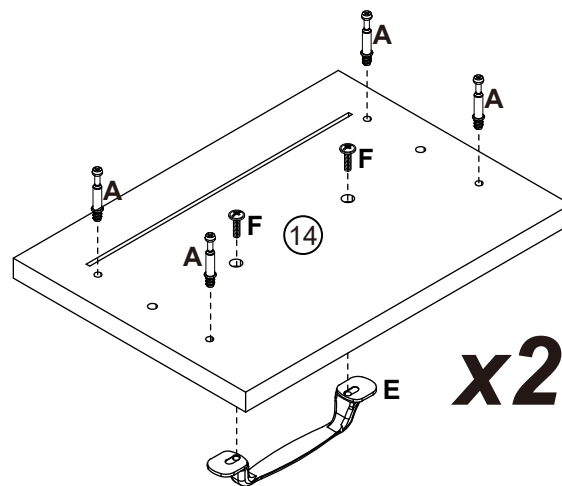
Step 17



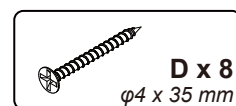
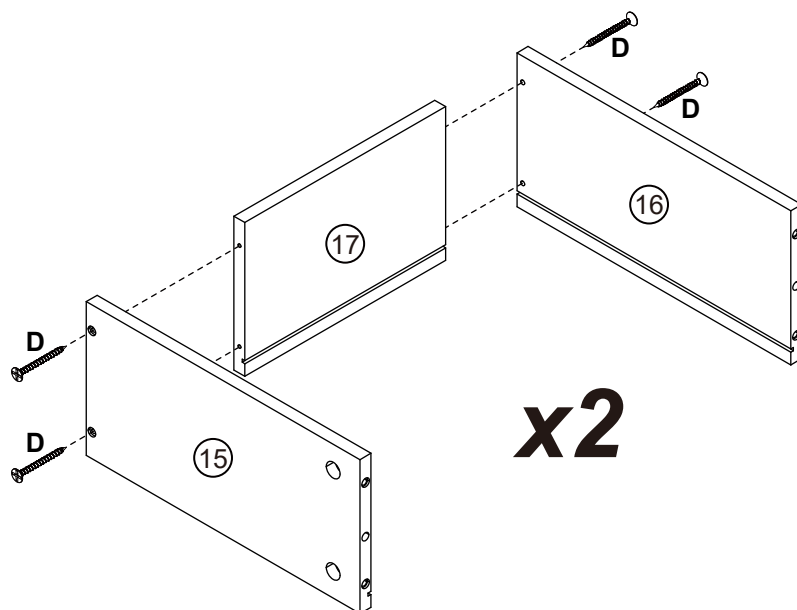
Step 18



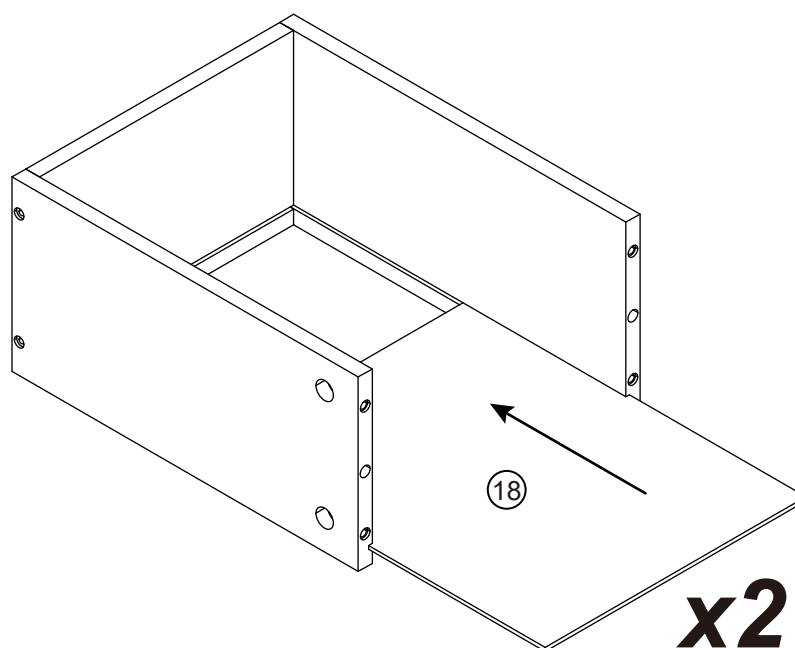
Step 19



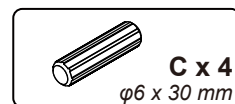
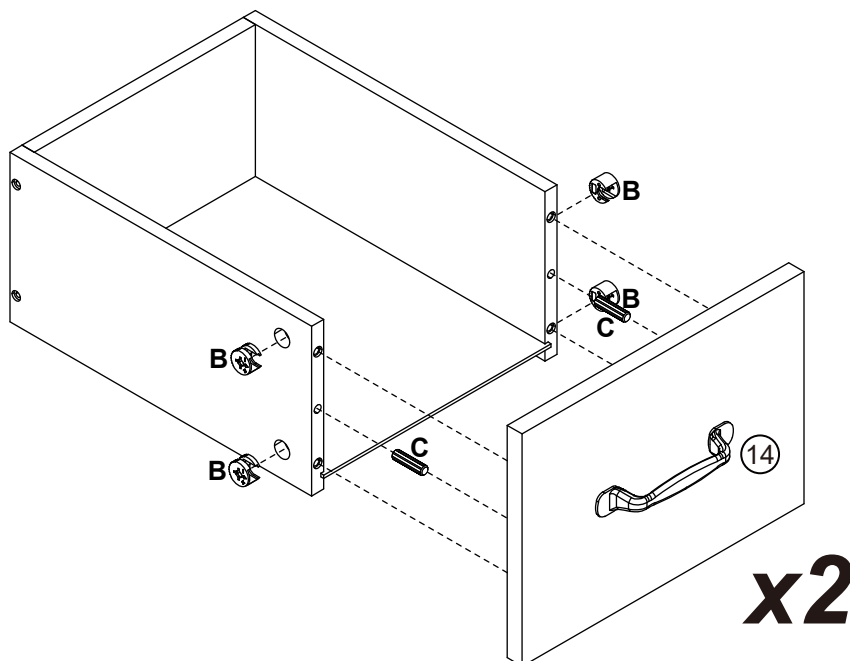
Step 20



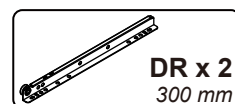
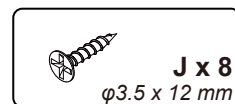
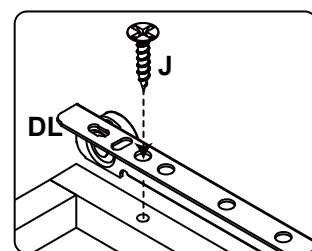
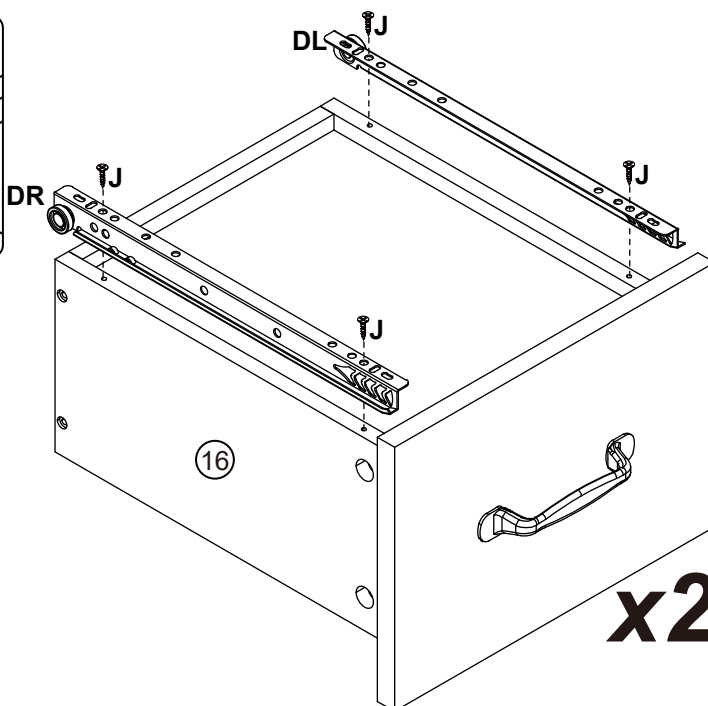
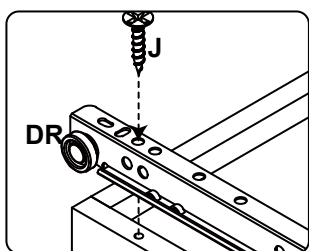
Step 21



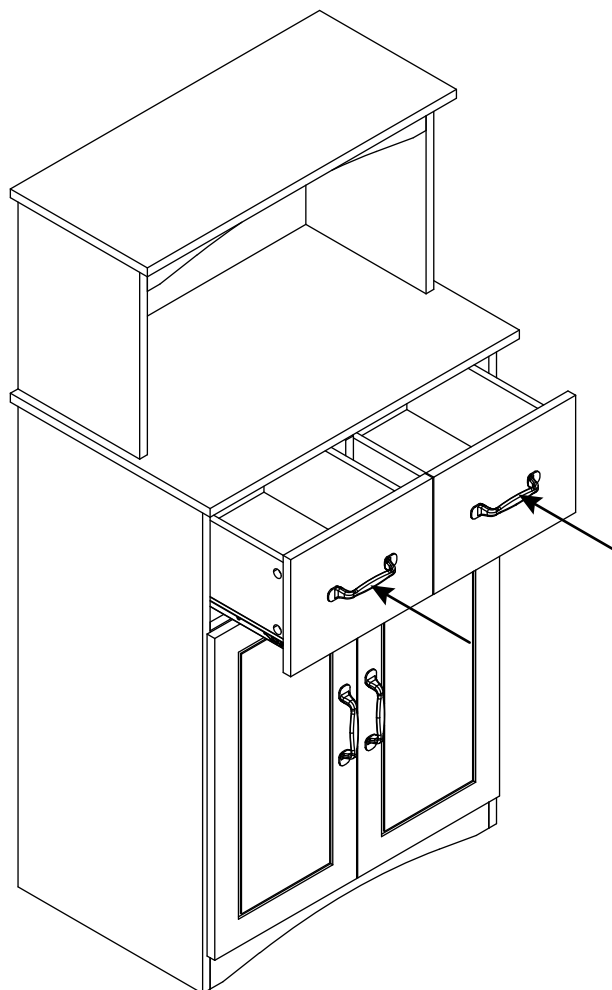
Step 22



Step 23



Step 24



Step 25

