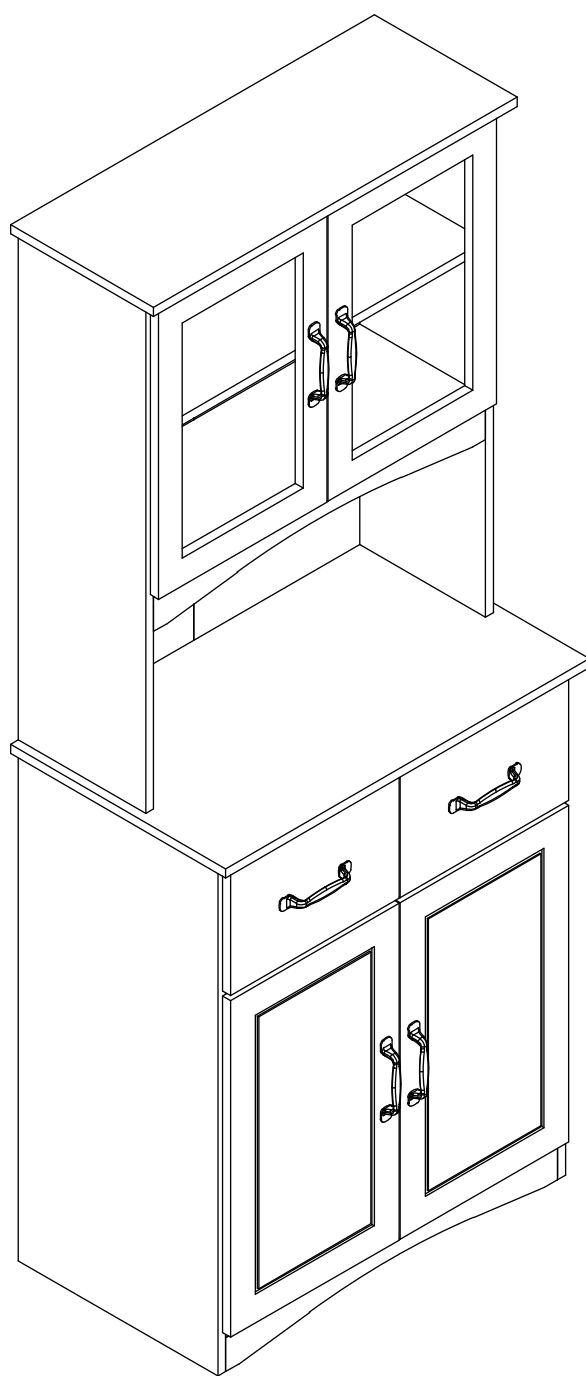
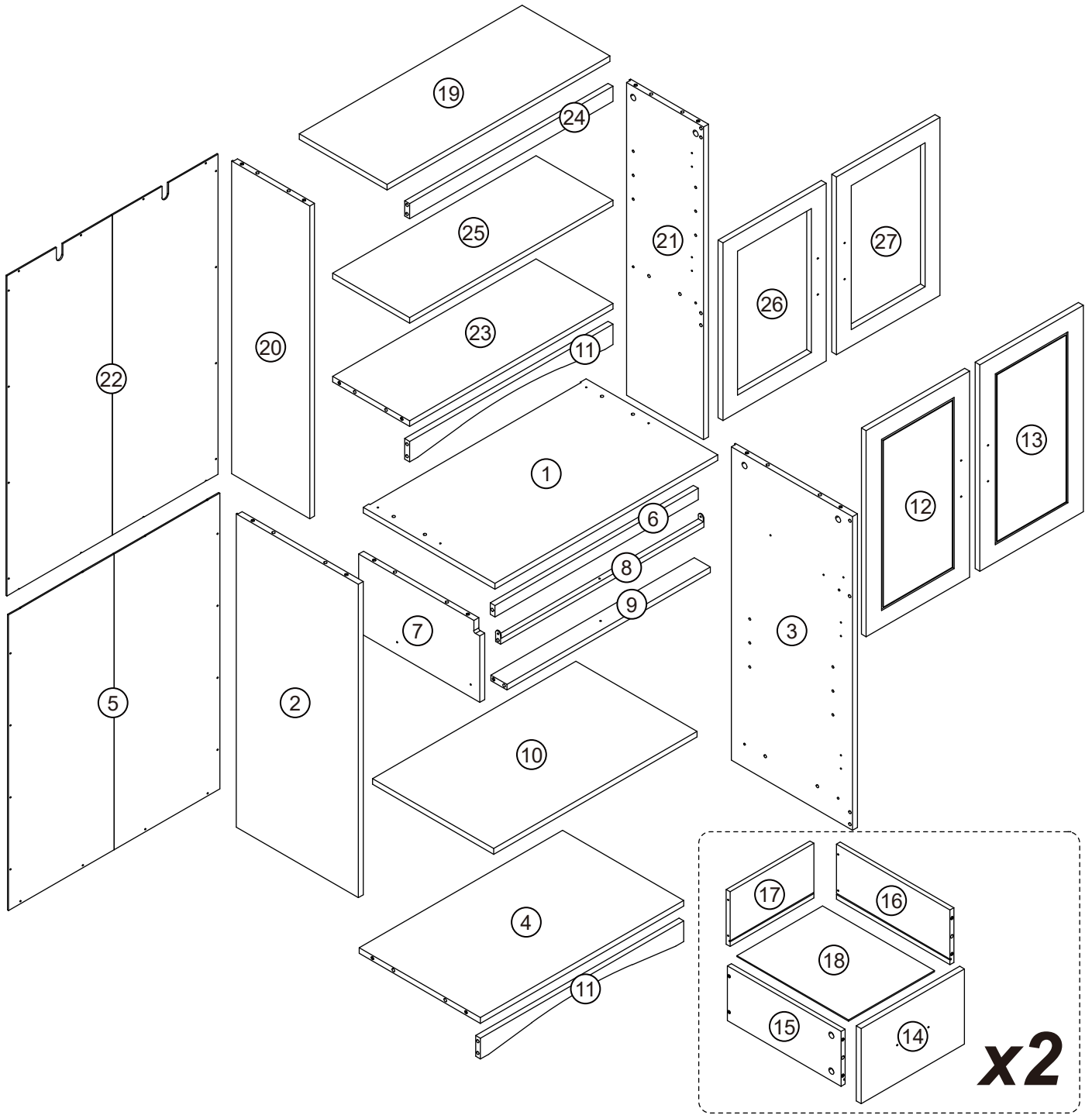


ASSEMBLY INSTRUCTIONS

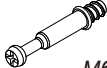



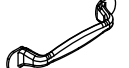












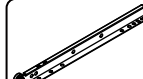
<<Before assembling, read all instructions>>



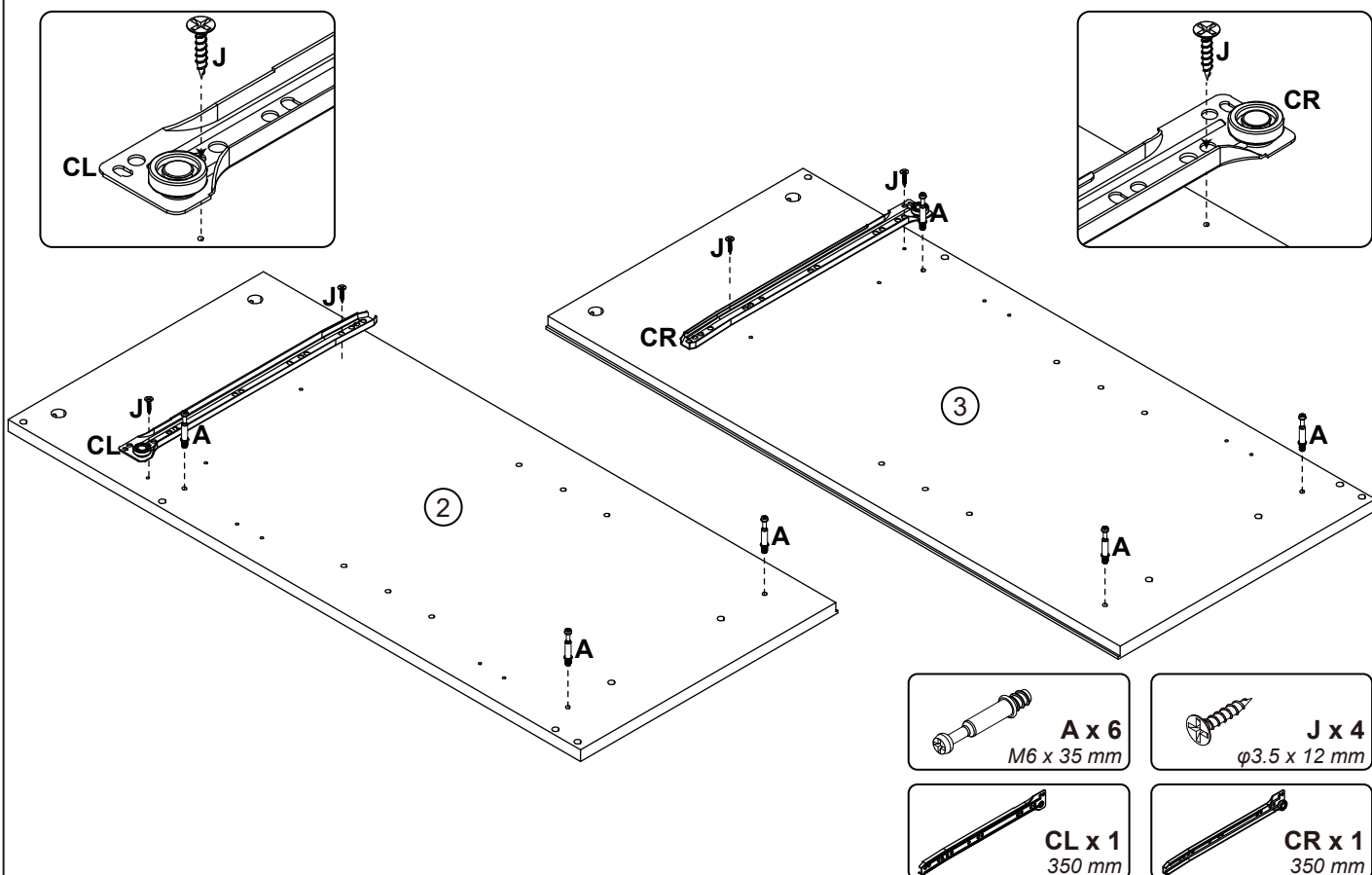
Exploded View



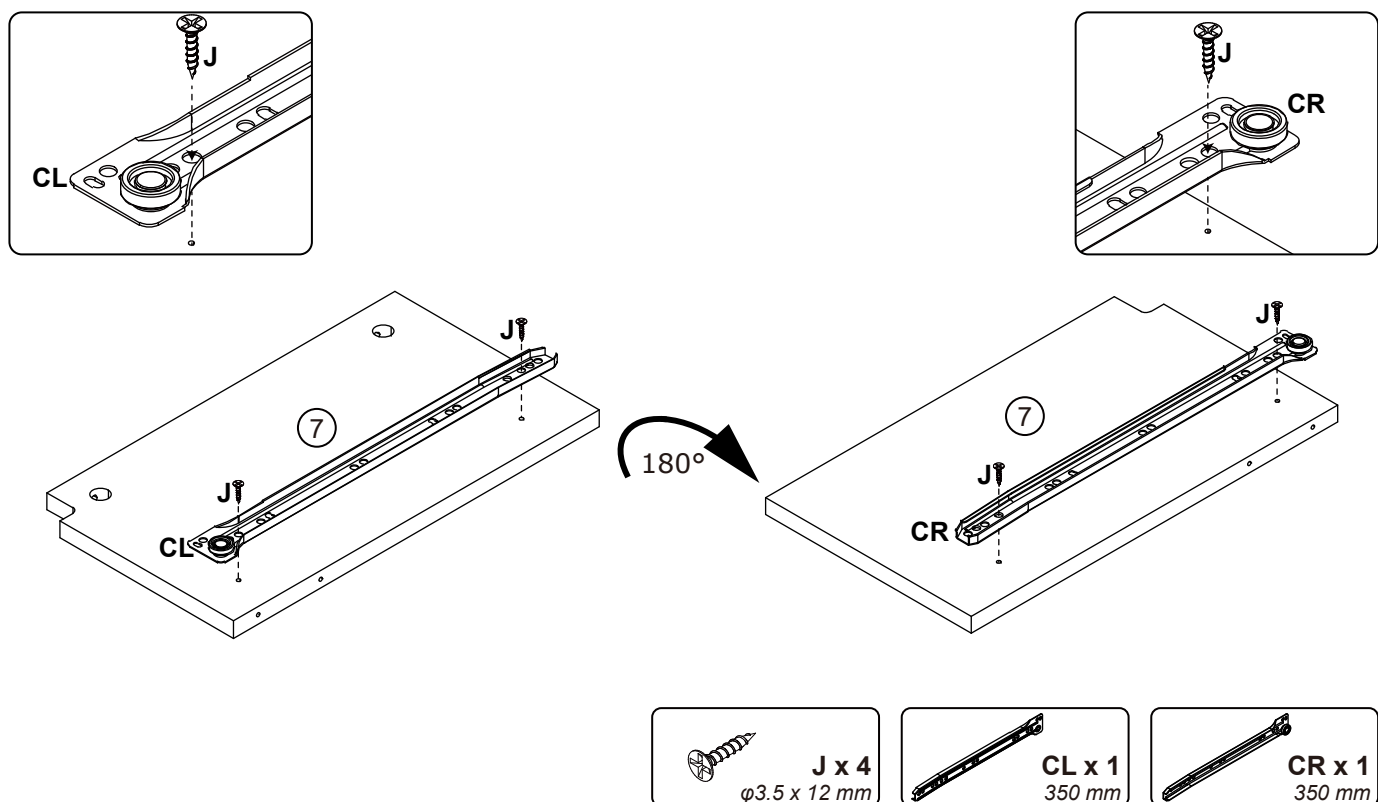
Fittings

 A x 28 M6 x 35 mm	 B x 28 φ15 x 9.5 mm	 C x 42 φ8 x 30 mm	 D x 14 φ4 x 35 mm	 E x 6
 F x 12 M4 x 12 mm	 G x 8	 H x 8 φ20 x 1 mm	 I x 40 φ3 x 12 mm	 J x 34 φ3.5 x 12 mm
 K x 16 M6 x 11 mm	 L x 8 55.3 x 36 mm	 M x 2	 N x 2	 CL x 2 350 mm
 CR x 2 350 mm	 DL x 2 350 mm	 DR x 2 350 mm		

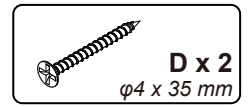
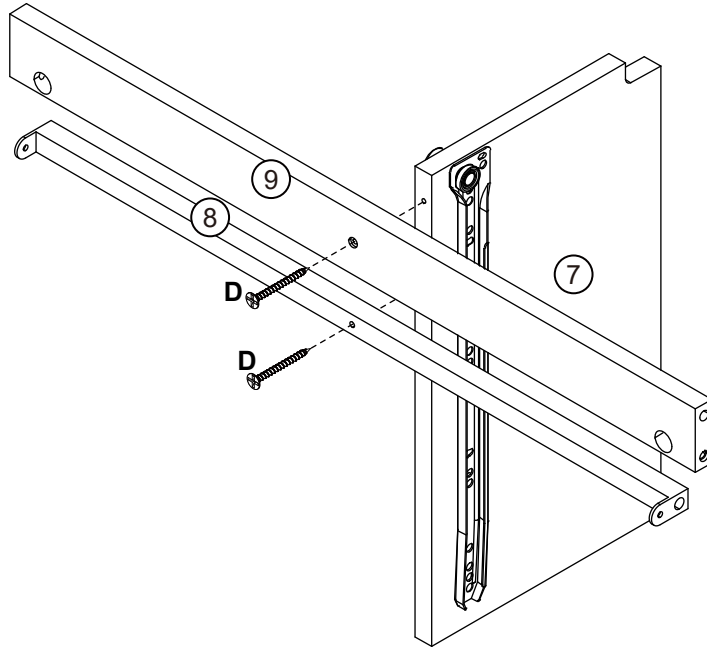
Step 1



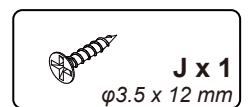
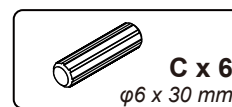
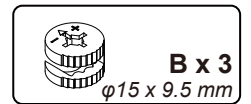
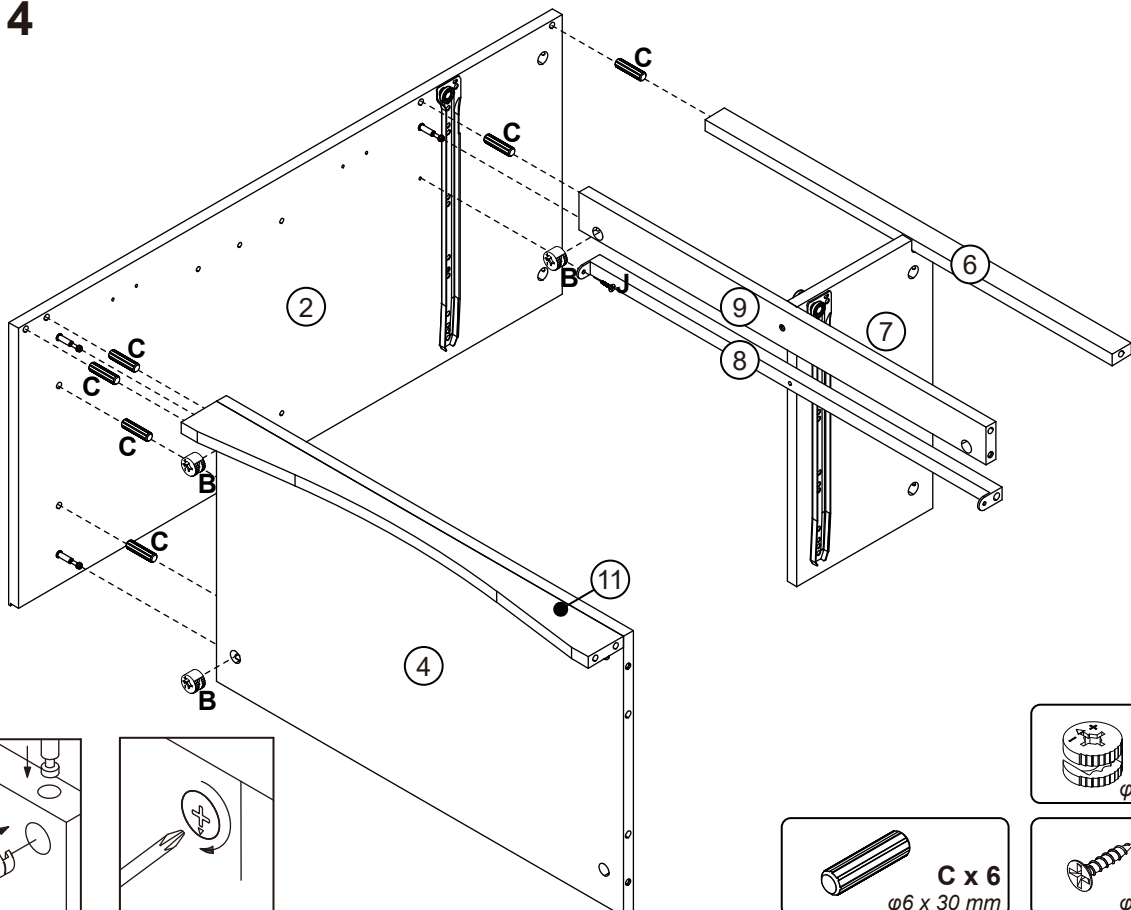
Step 2



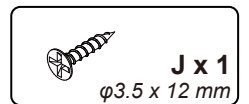
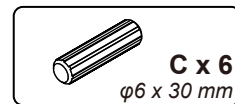
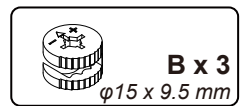
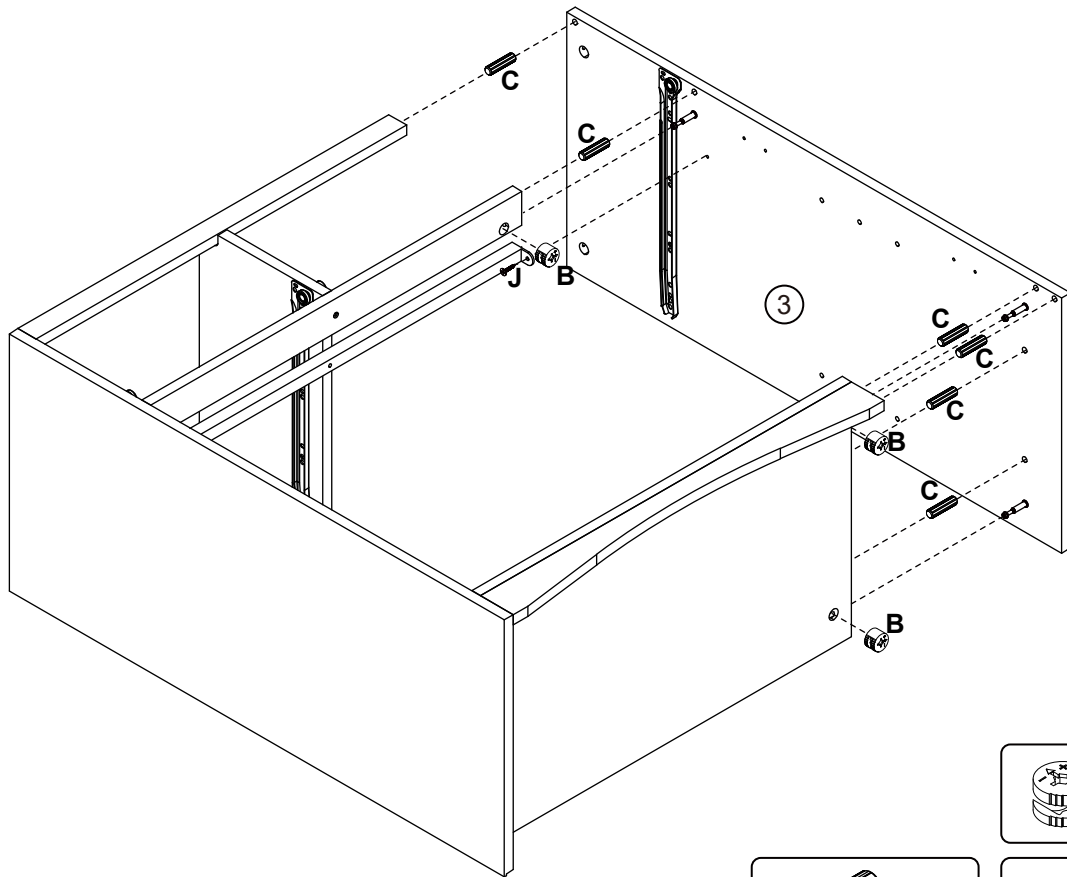
Step 3



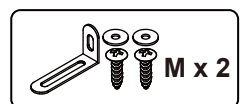
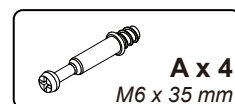
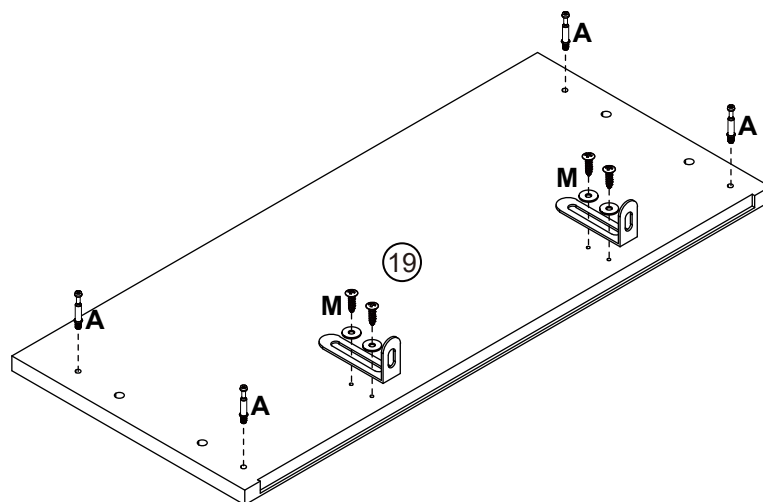
Step 4



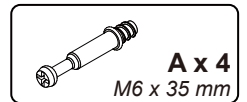
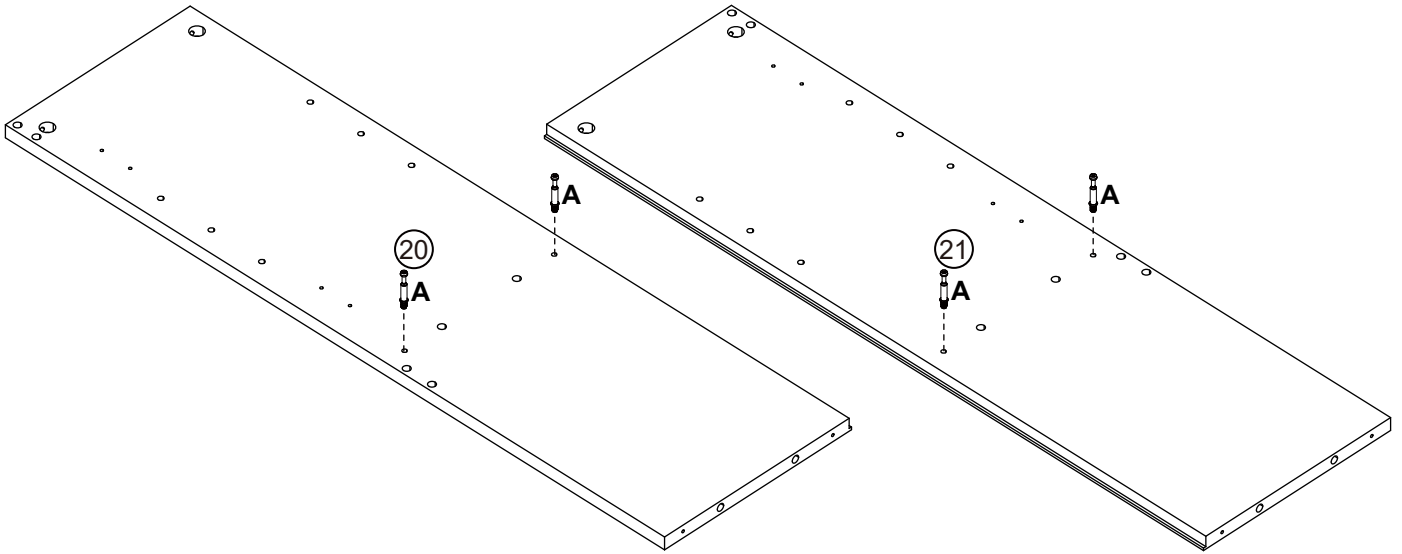
Step 5



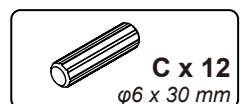
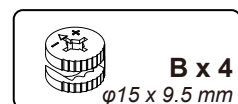
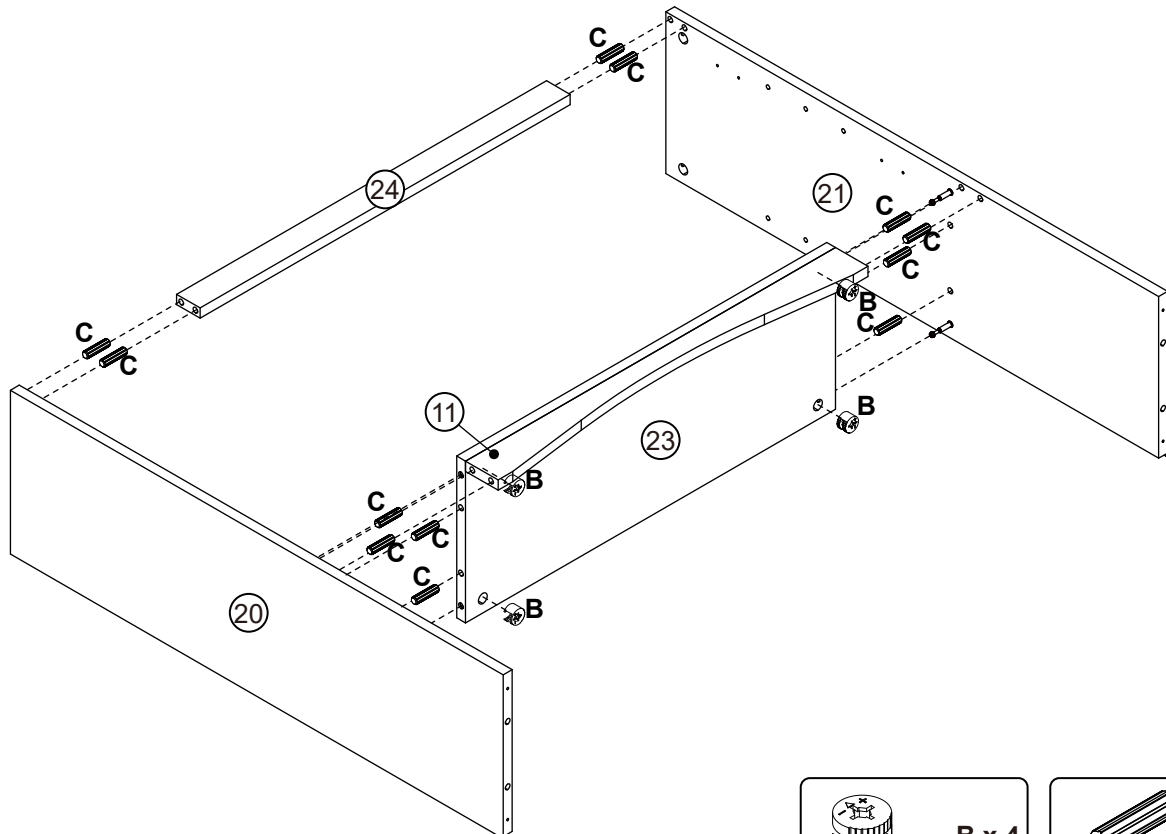
Step 6



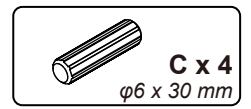
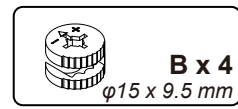
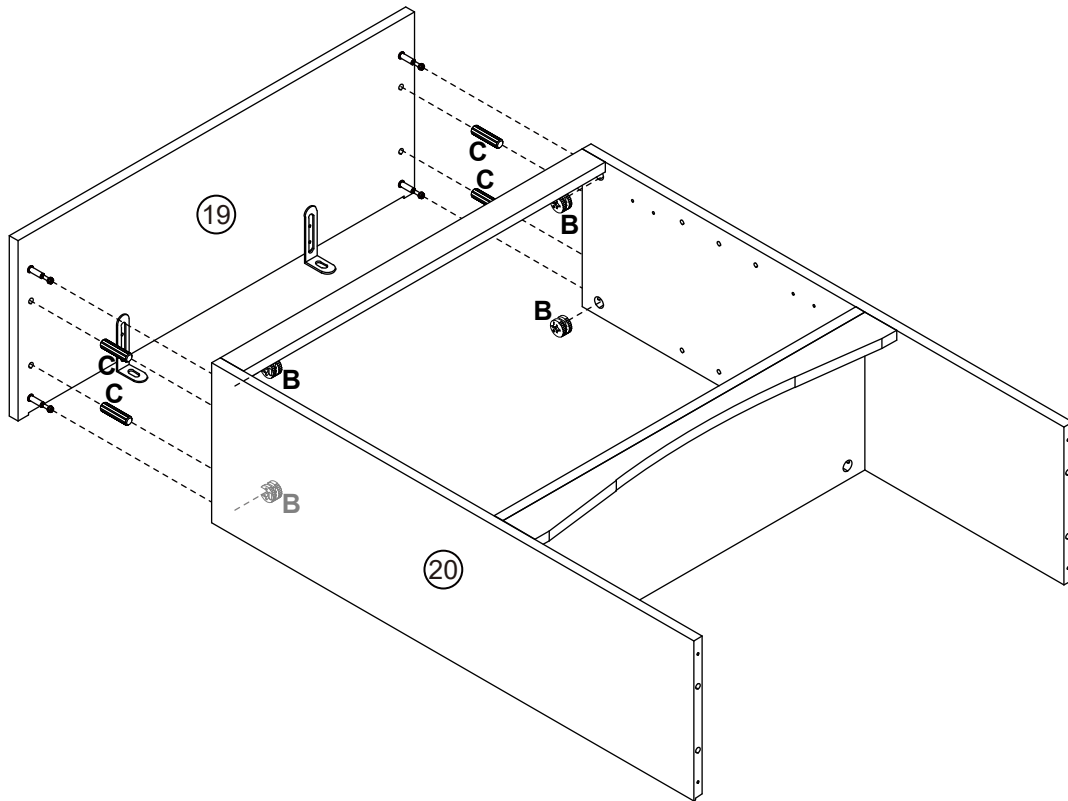
Step 7



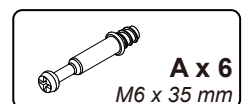
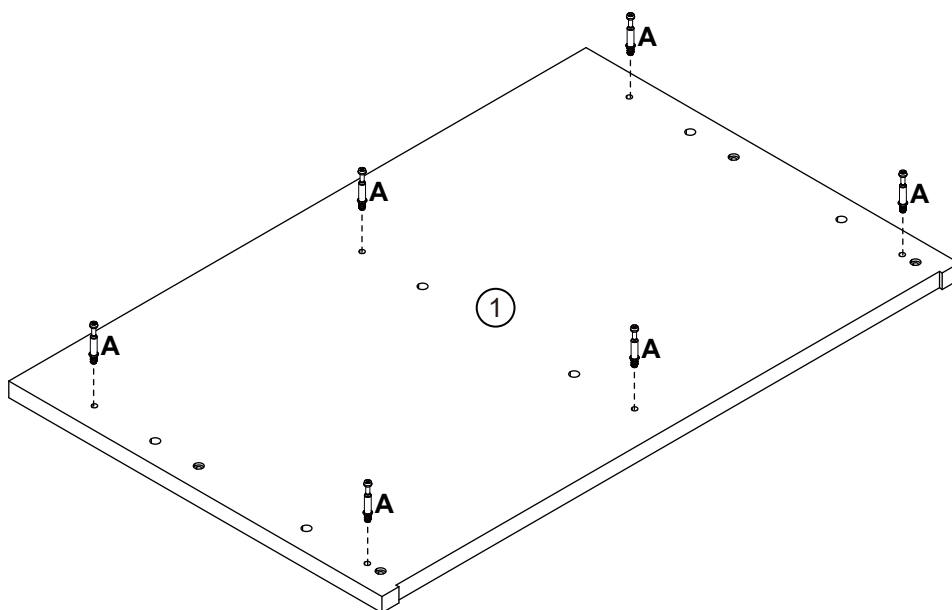
Step 8



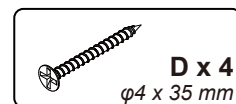
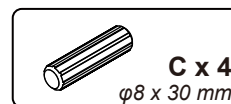
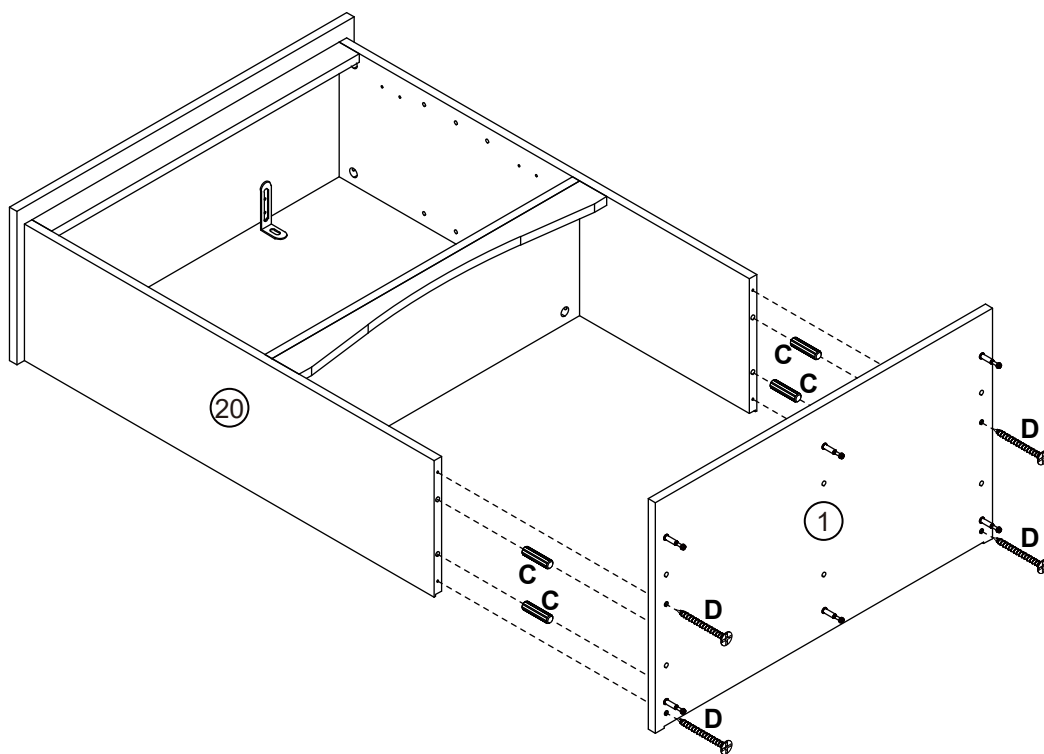
Step 9



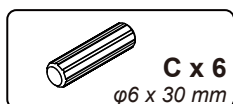
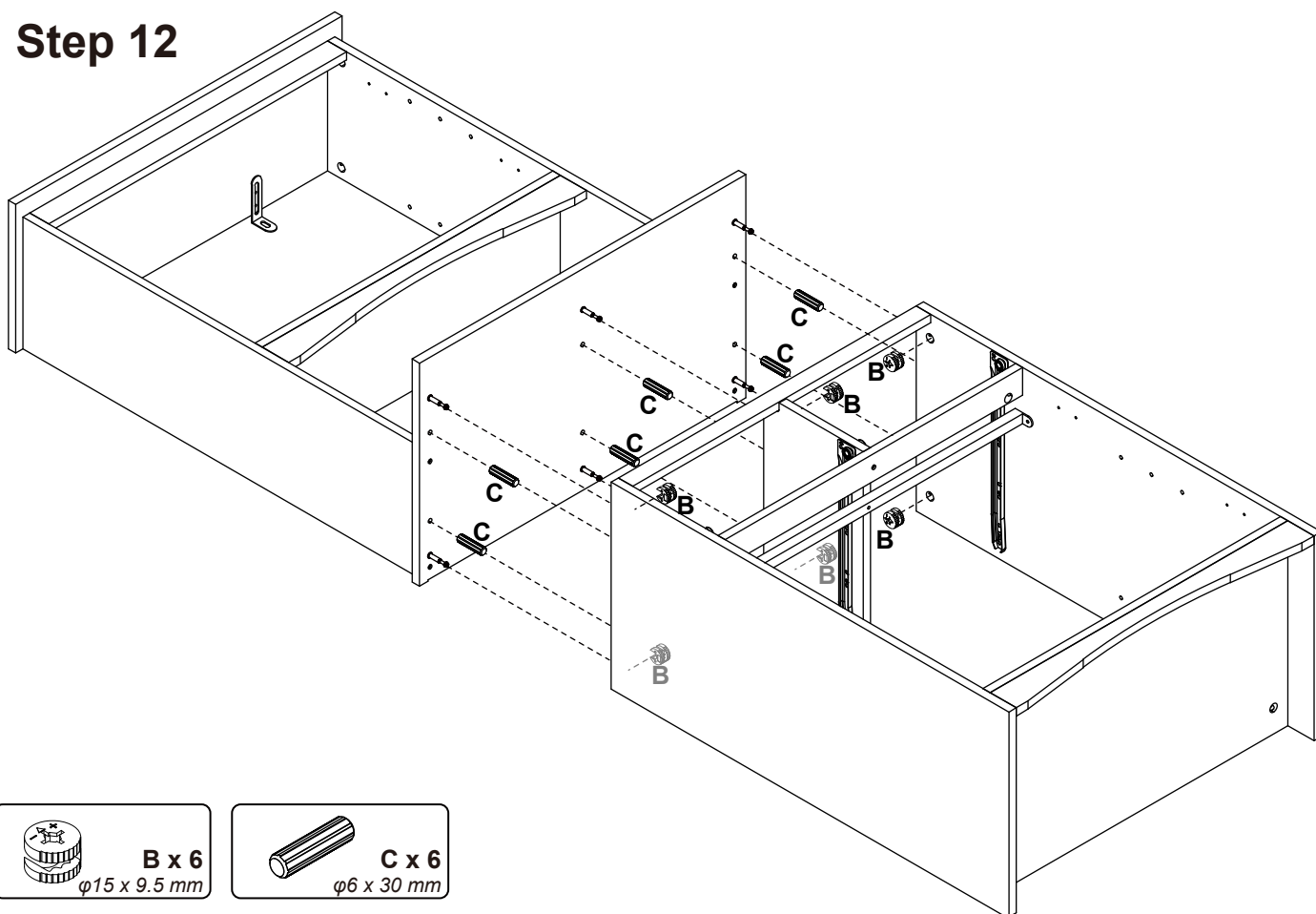
Step 10



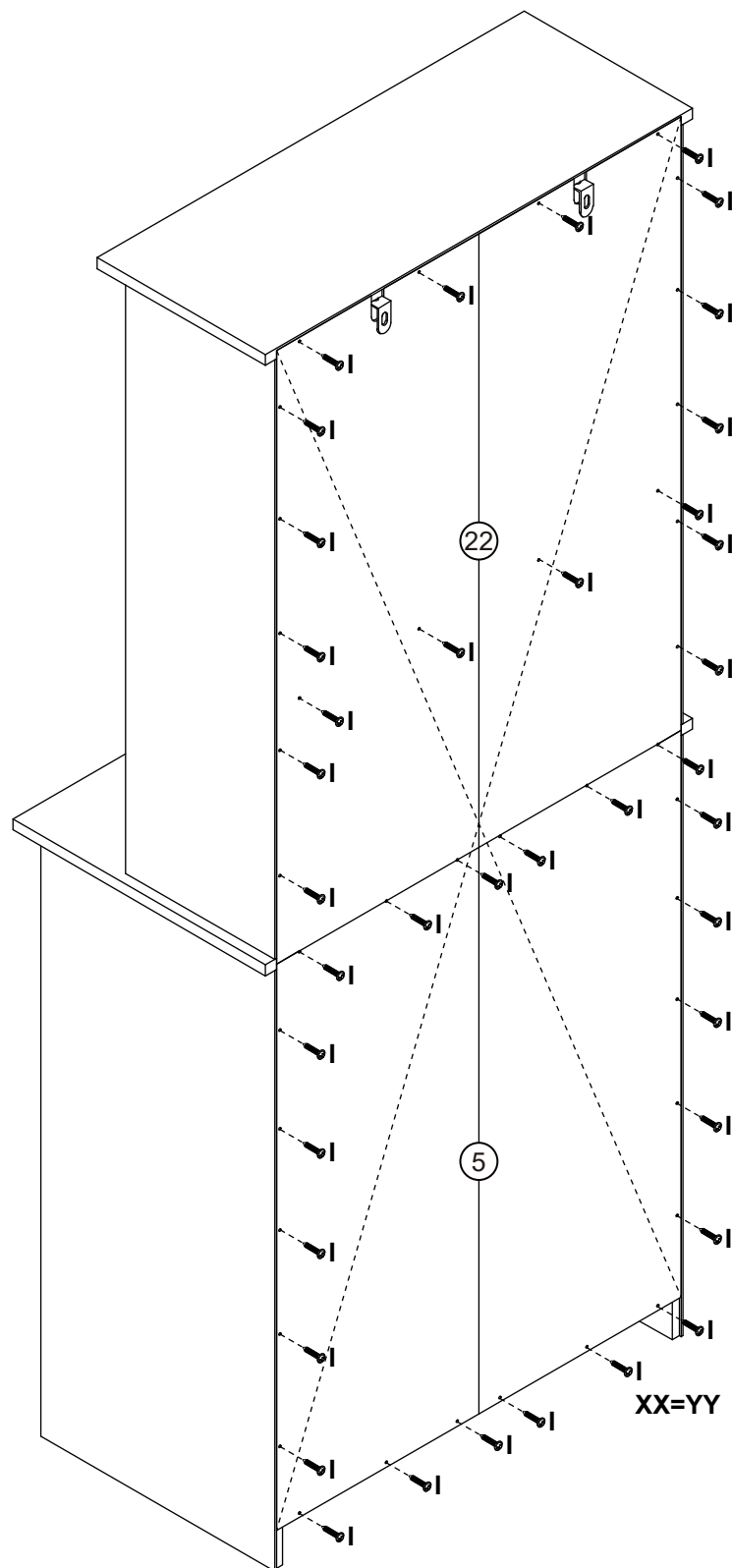
Step 11



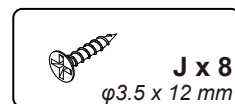
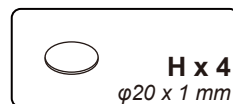
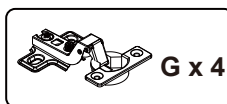
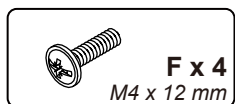
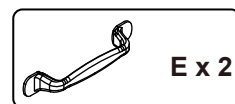
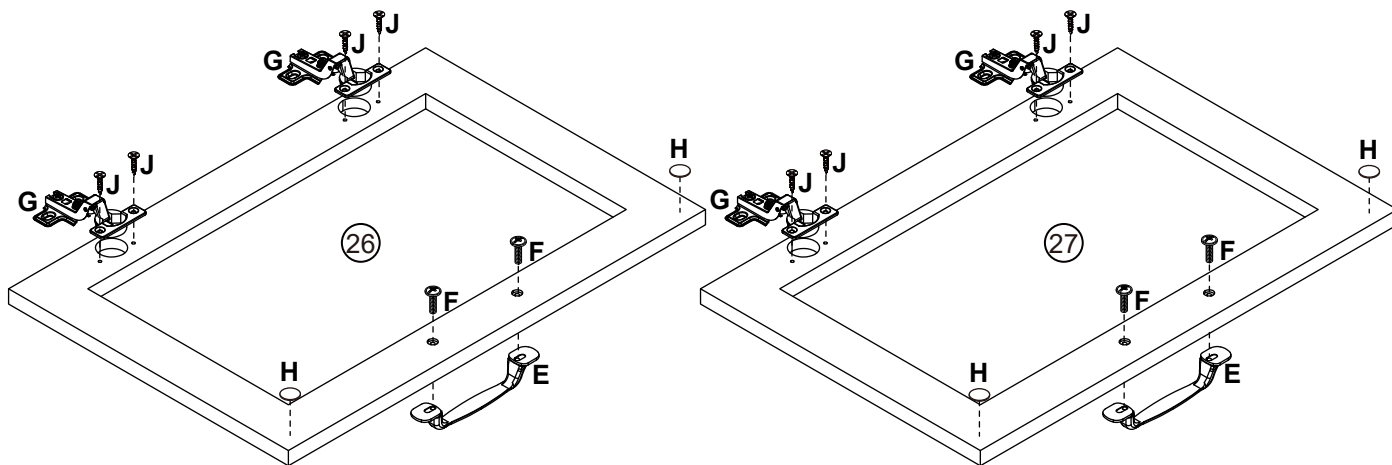
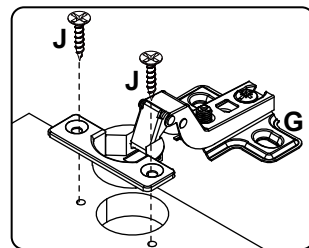
Step 12



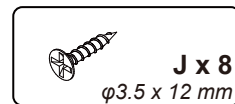
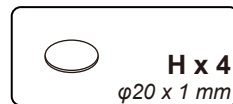
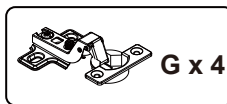
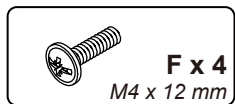
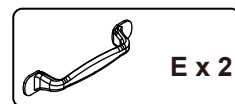
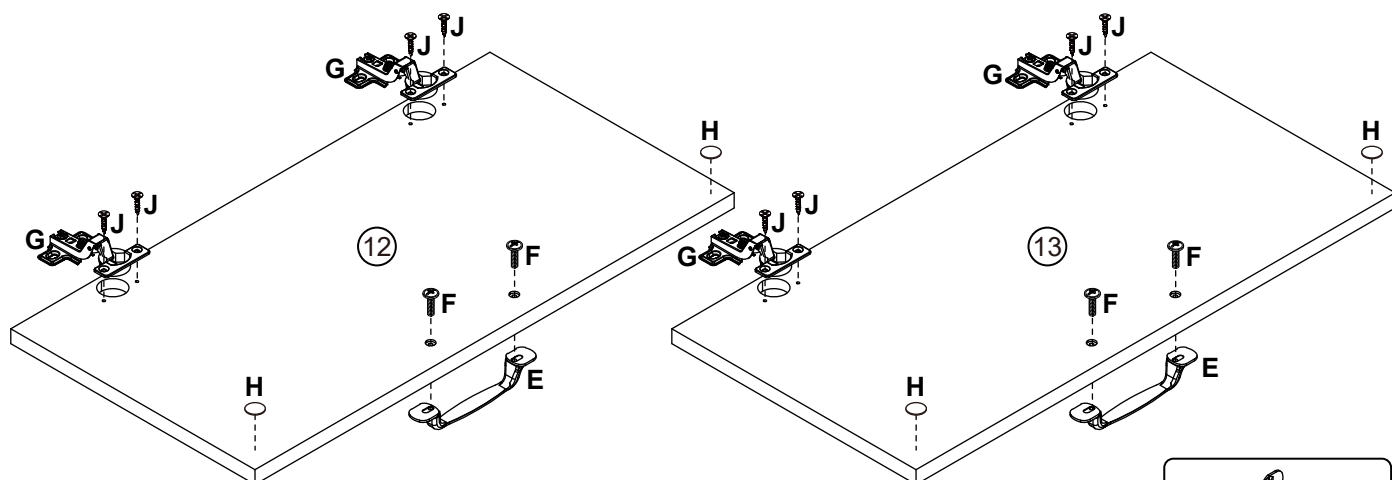
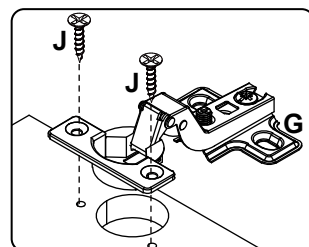
Step 13



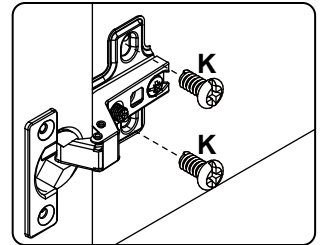
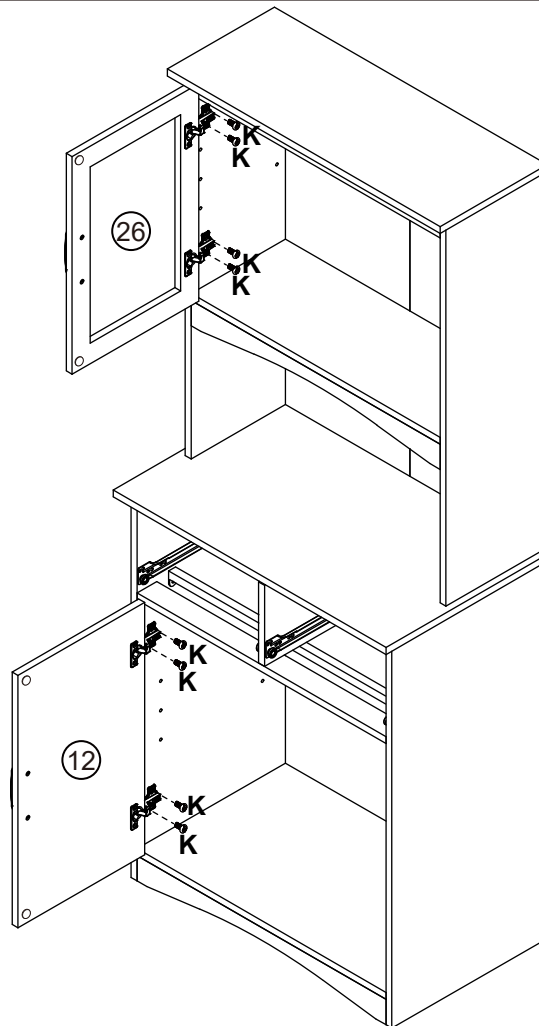
Step 14



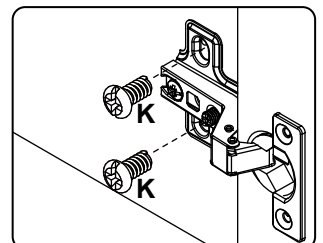
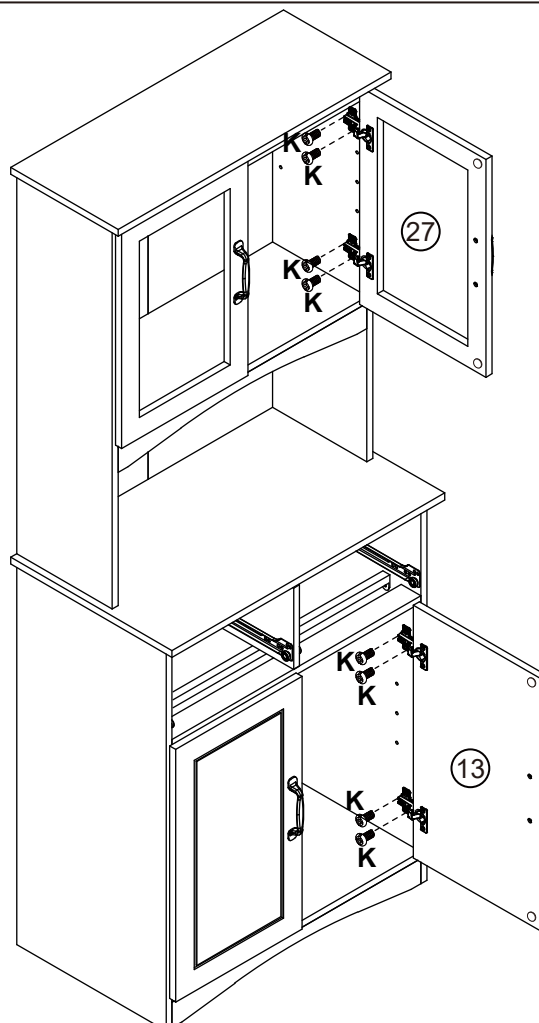
Step 15



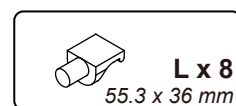
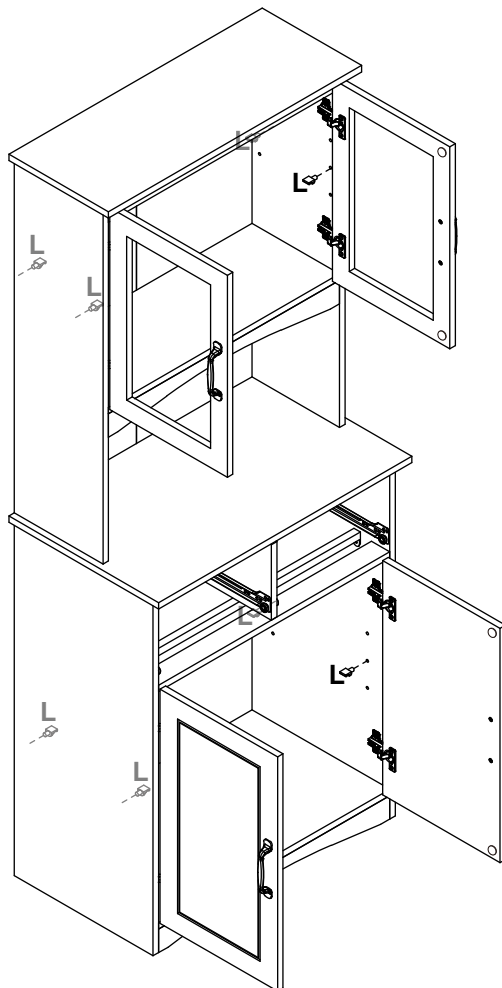
Step 16



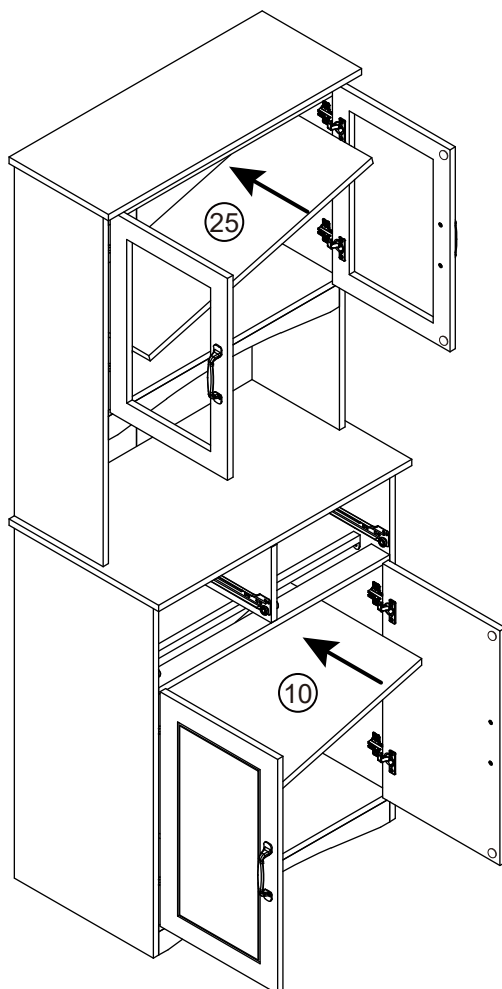
Step 17



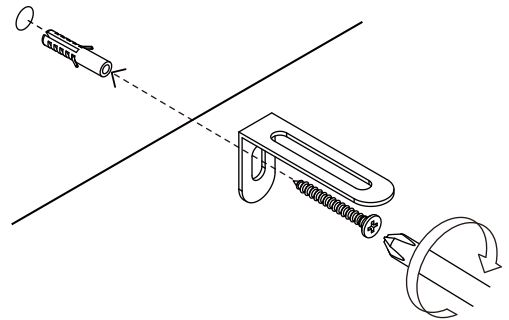
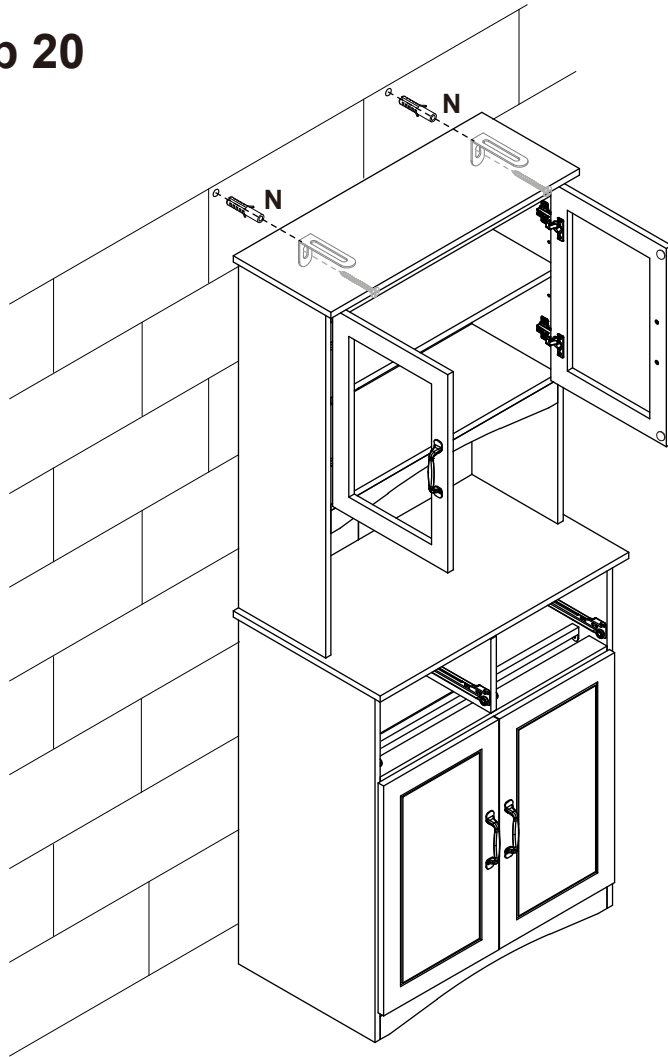
Step 18



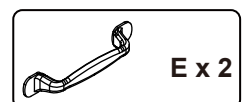
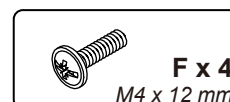
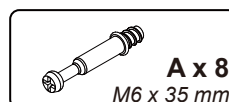
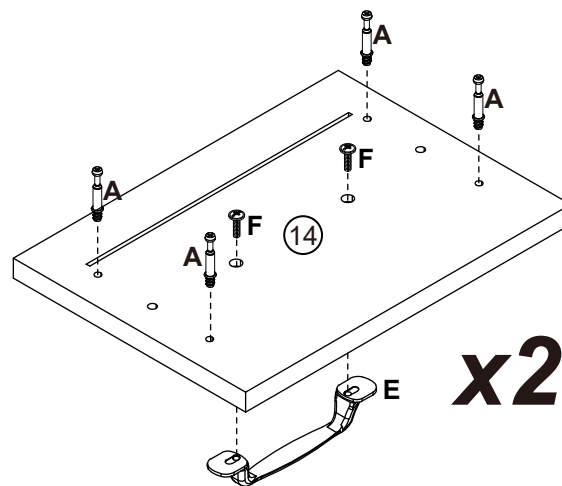
Step 19



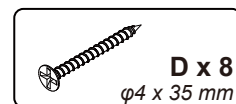
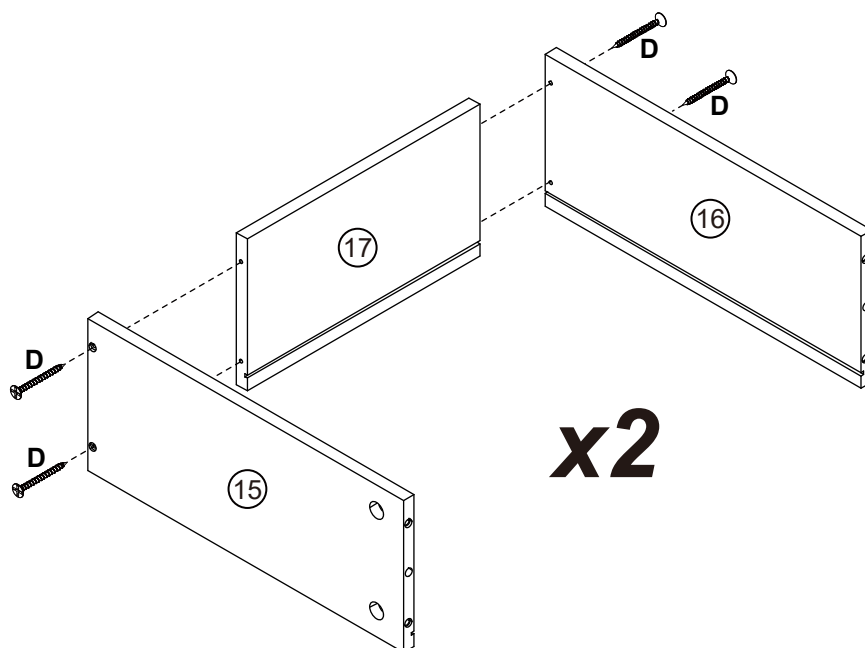
Step 20



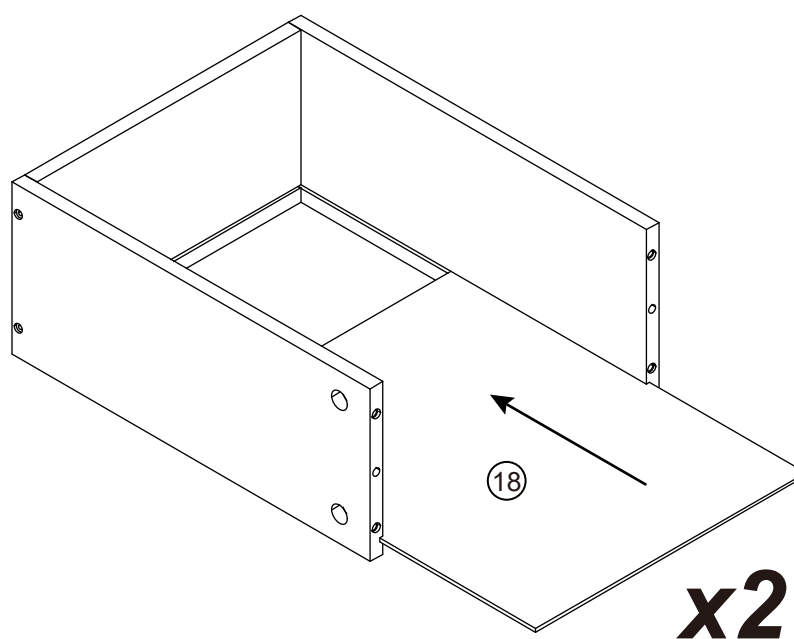
Step 21



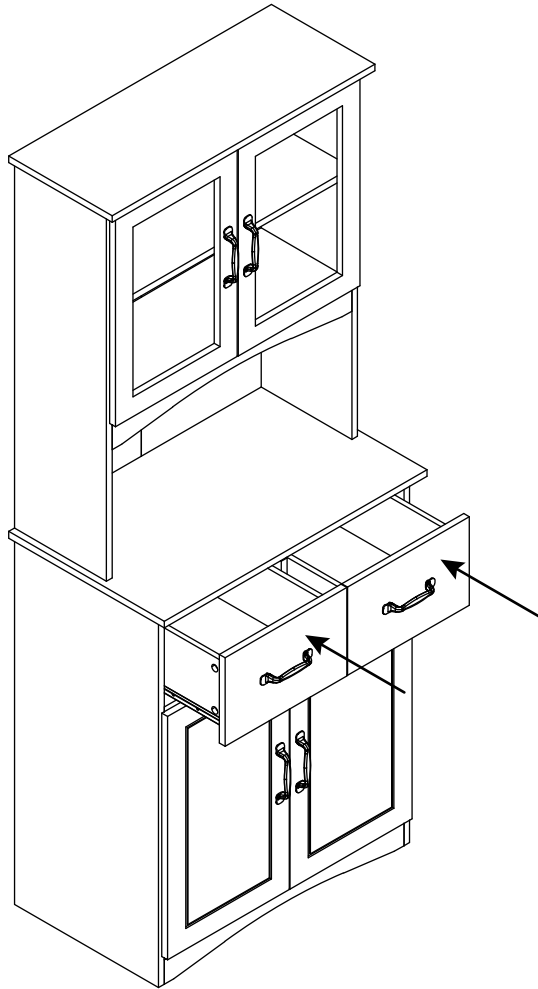
Step 22



Step 23



Step 26



Step 27

