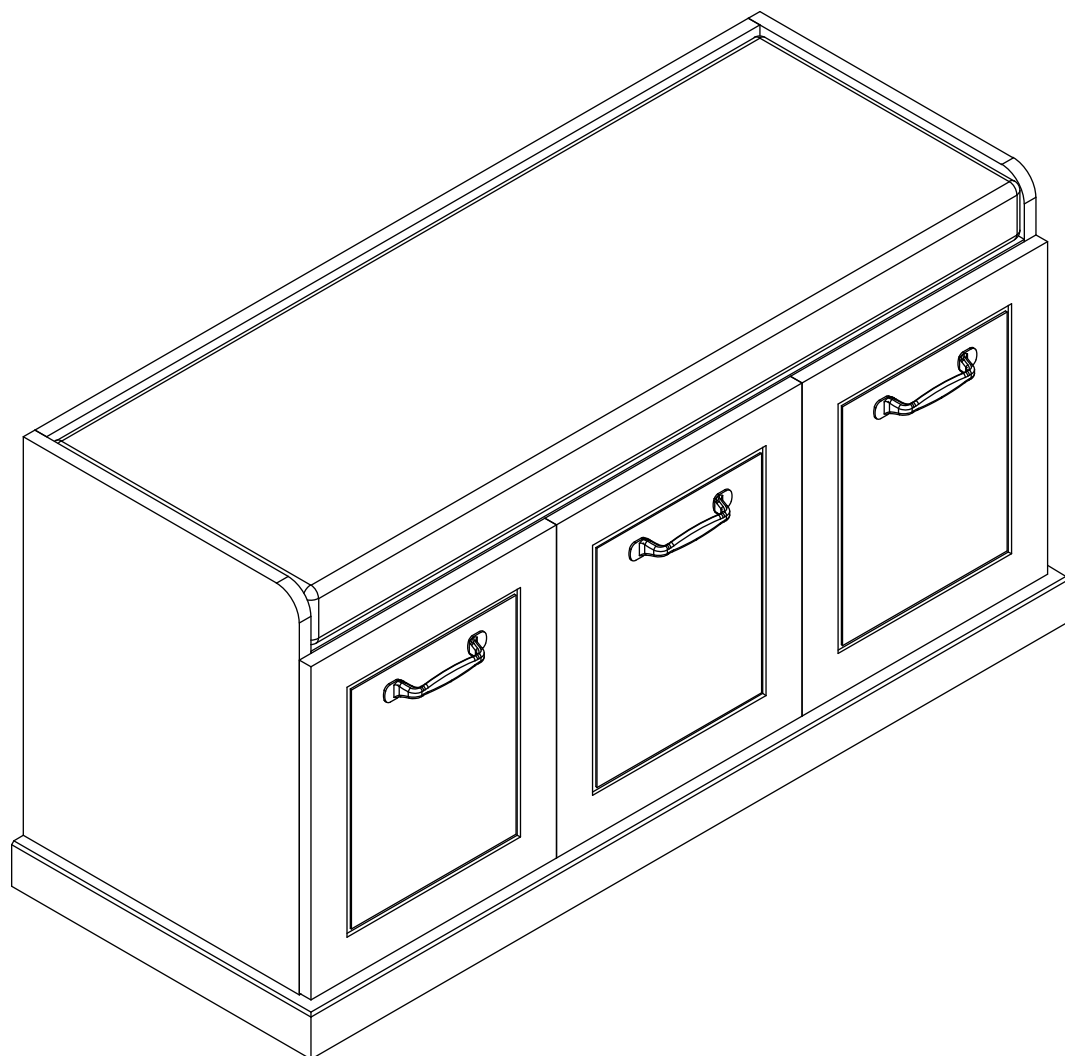
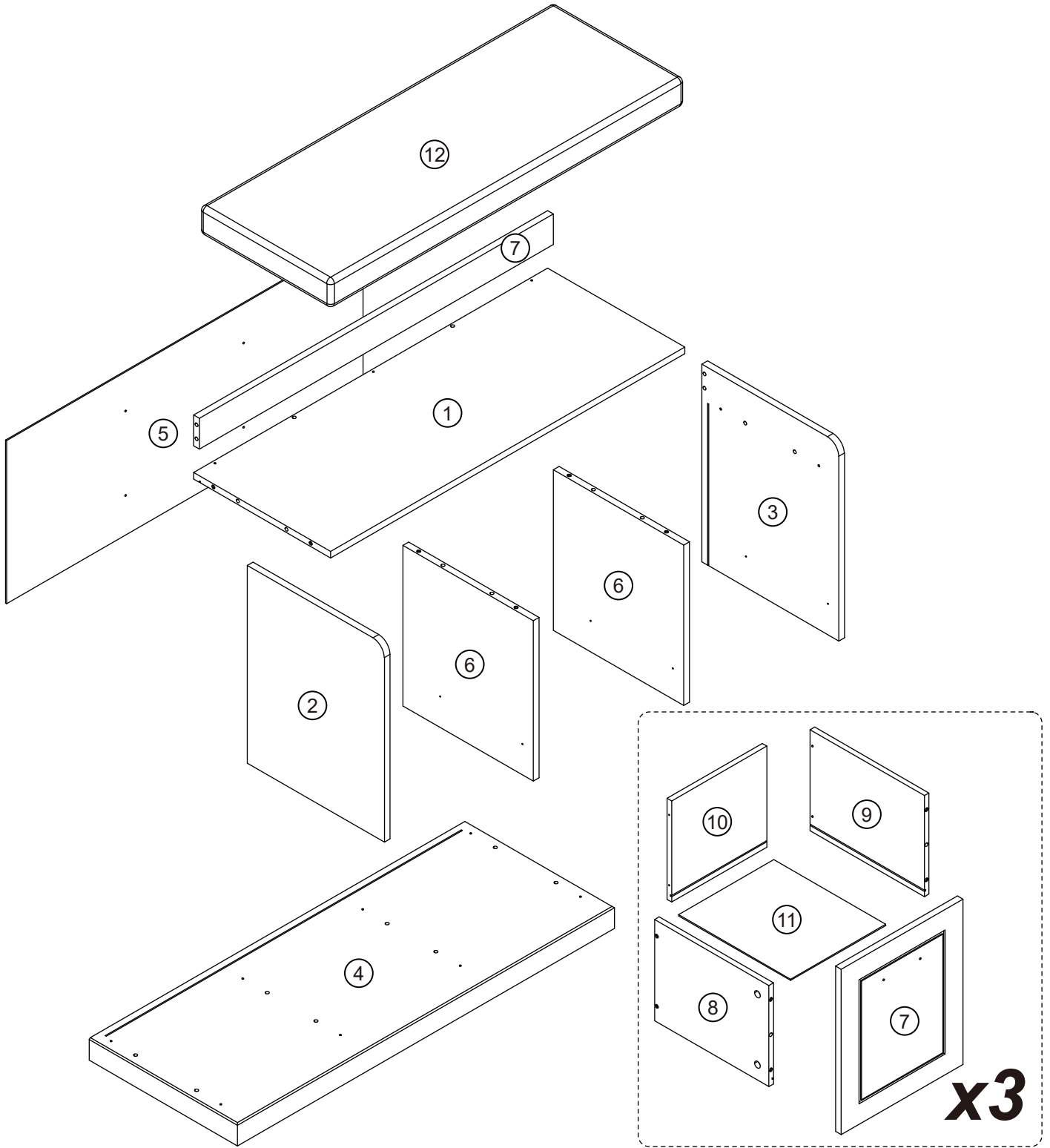


ASSEMBLY INSTRUCTIONS



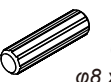

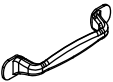






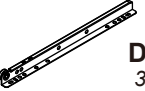
<<Before assembling, read all instructions>>



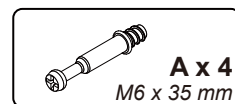
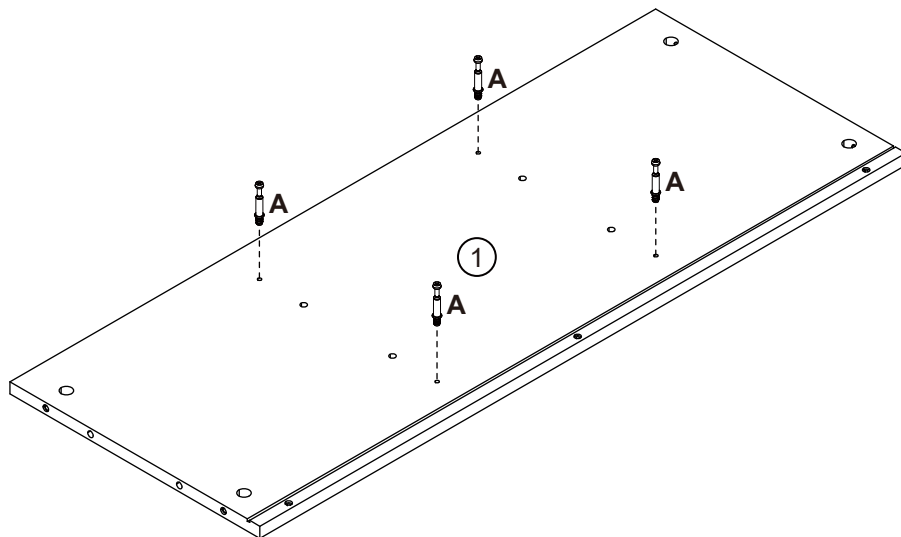
Exploded View



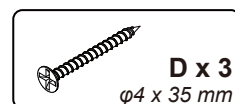
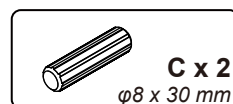
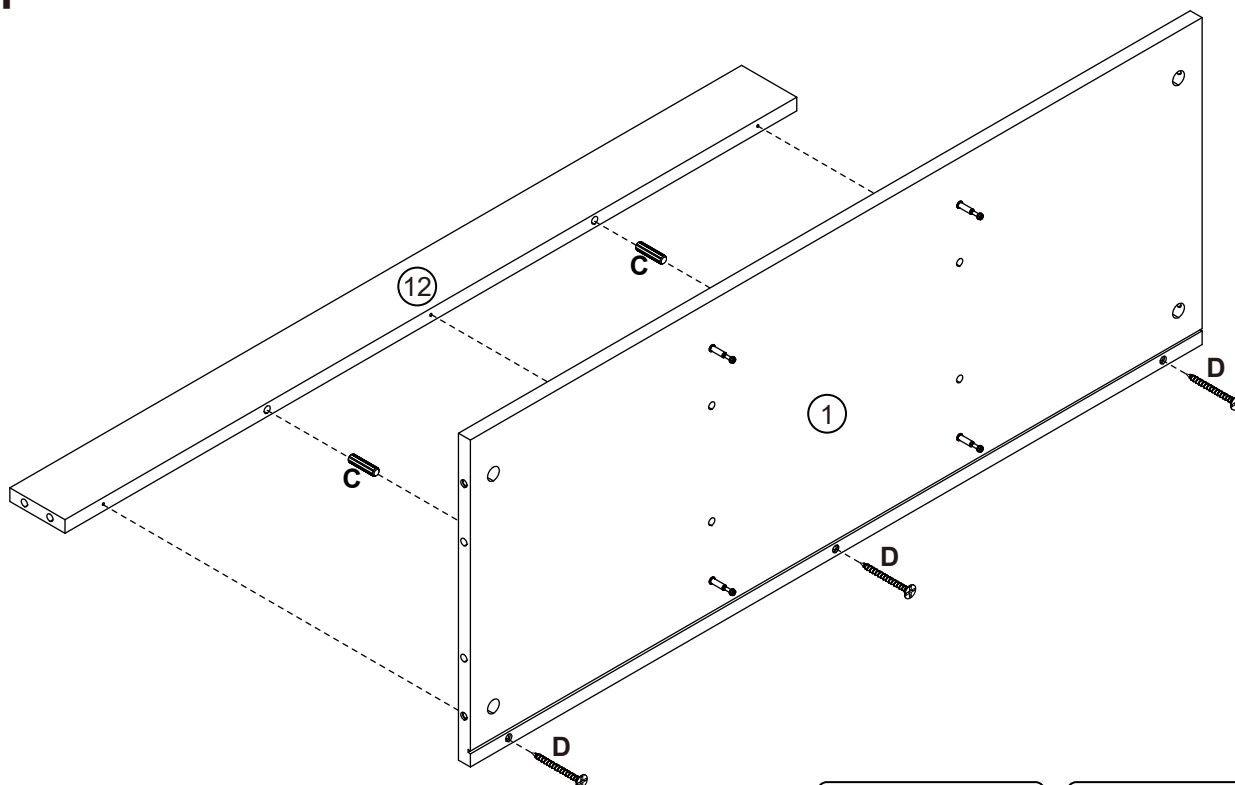
Fittings

 A x 20 M6 x 35 mm	 B x 20 φ15 x 9.5 mm	 C x 28 φ8 x 30 mm	 D x 23 φ4 x 35 mm	 E x 3
 F x 6 M4 x 12 mm	 G x 4 φ3 x 12 mm	 H x 24 φ3.5 x 12 mm	 CL x 3 300 mm	 CR x 3 300 mm
 DL x 3 300 mm	 DR x 3 300 mm			

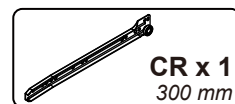
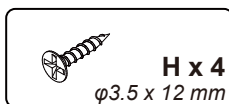
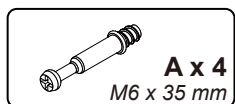
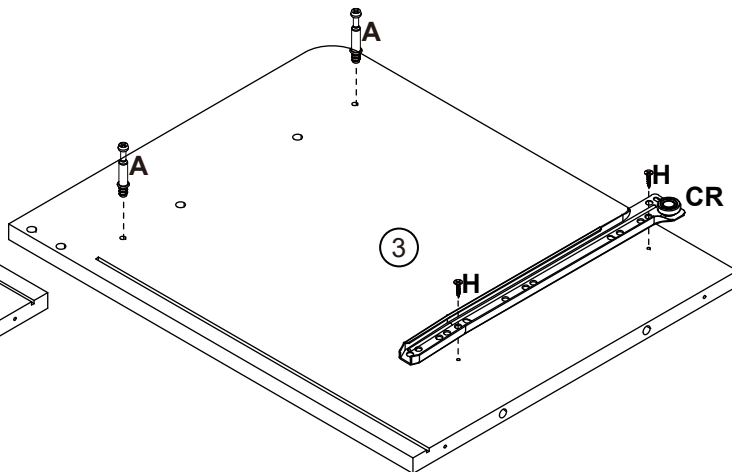
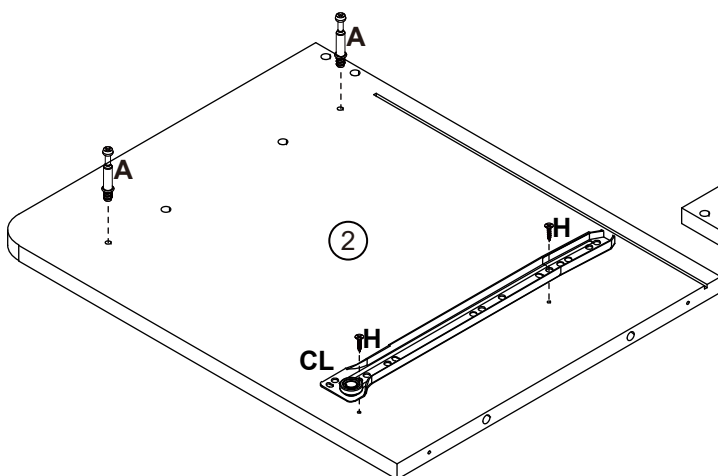
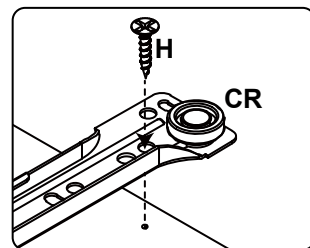
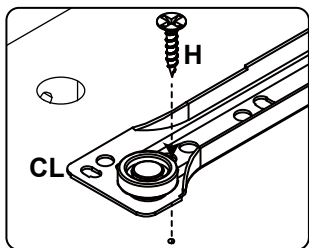
Step 1



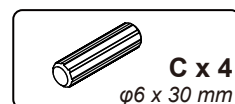
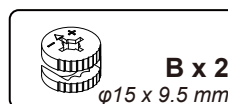
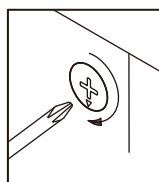
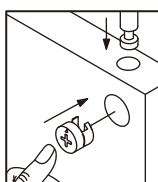
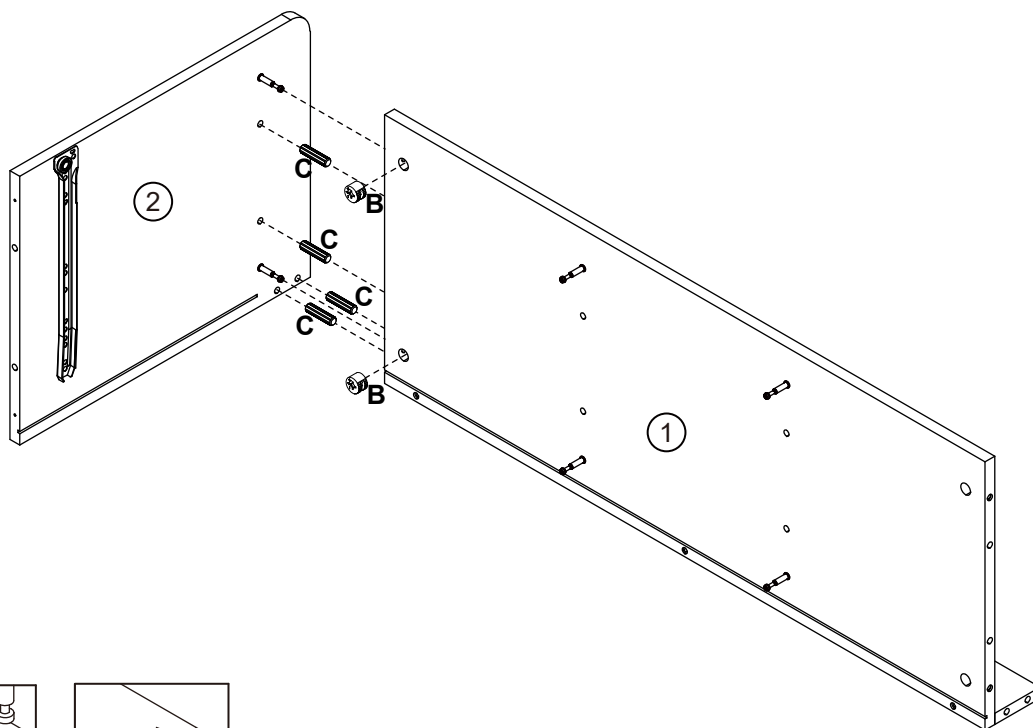
Step 2



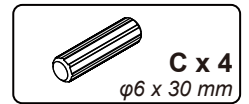
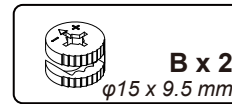
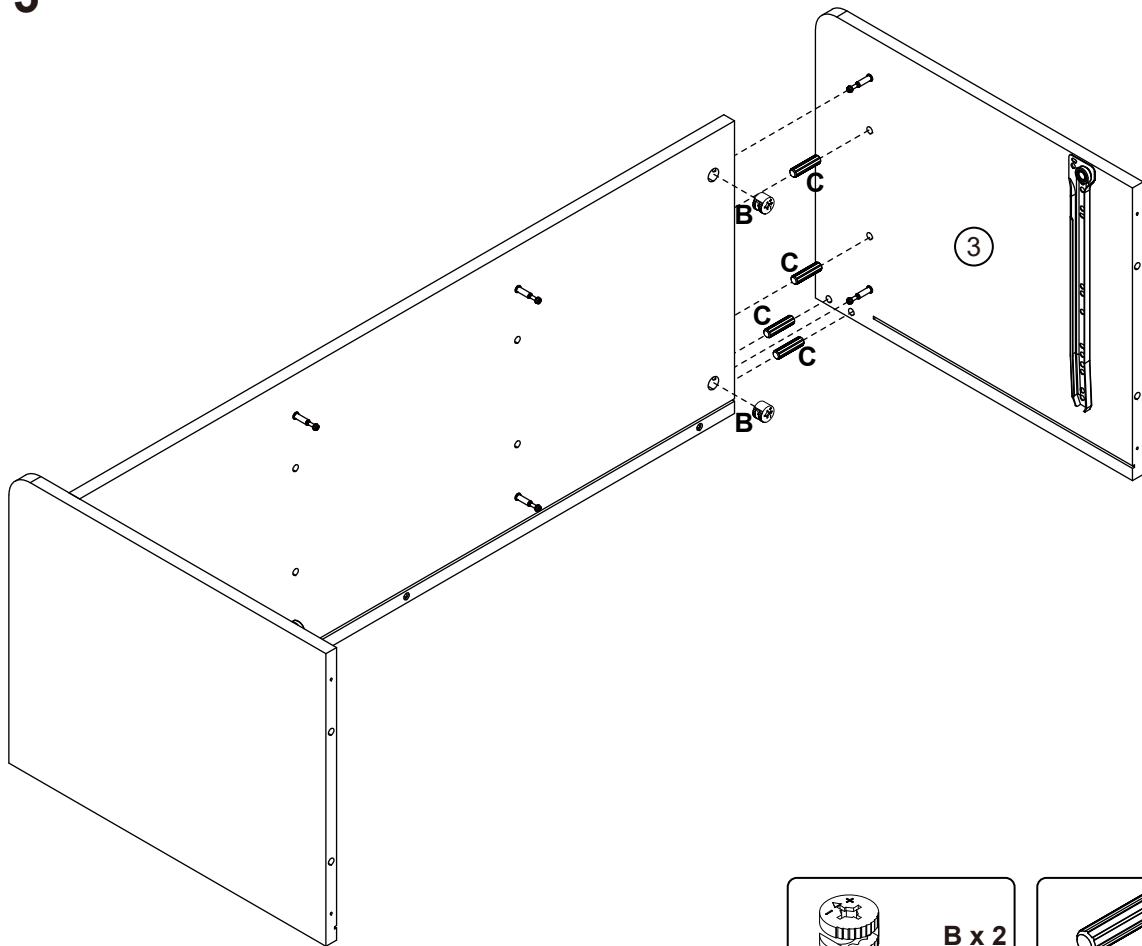
Step 3



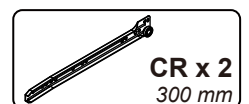
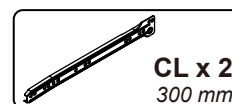
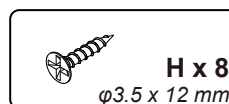
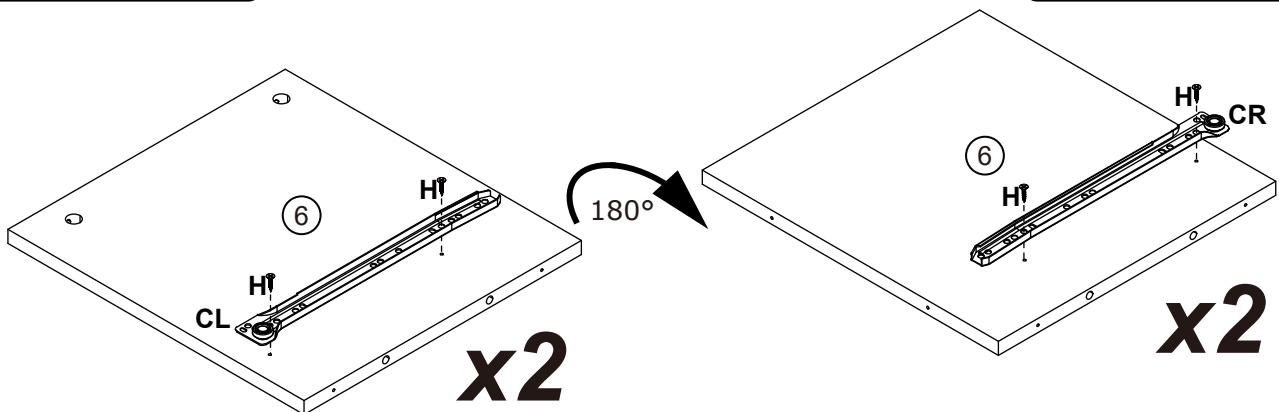
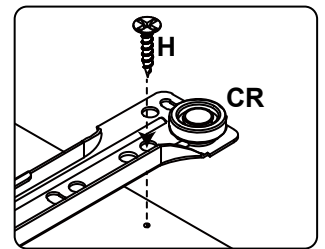
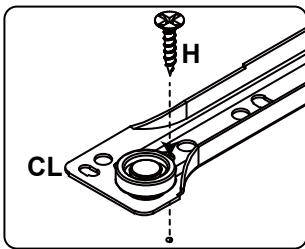
Step 4



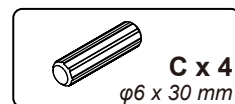
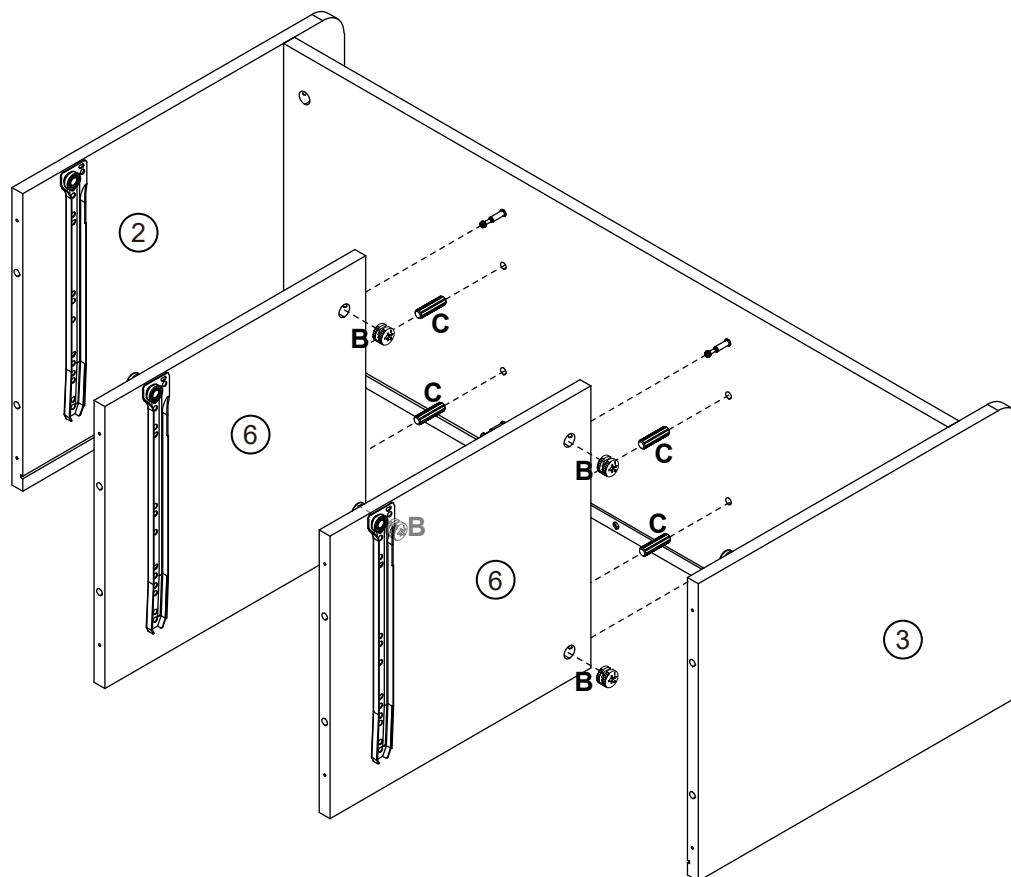
Step 5



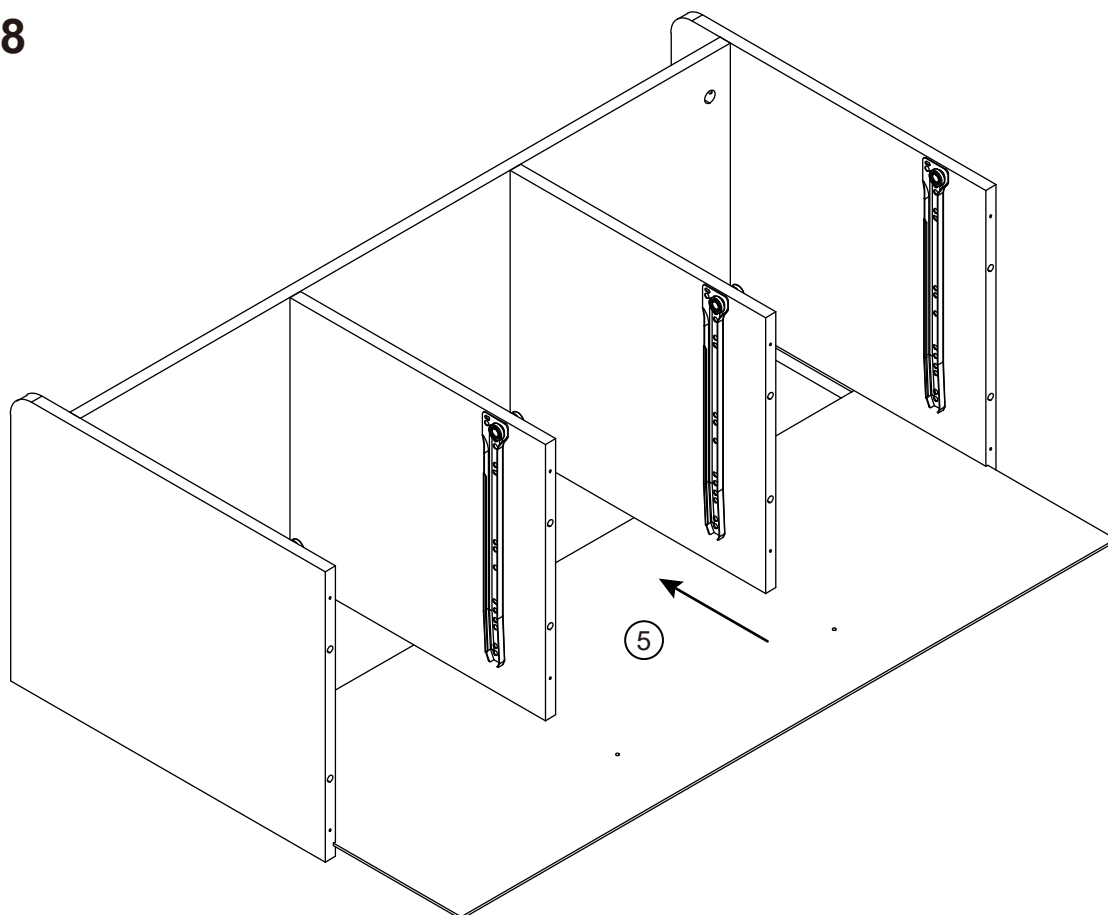
Step 6



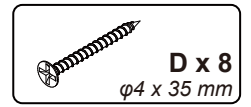
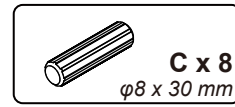
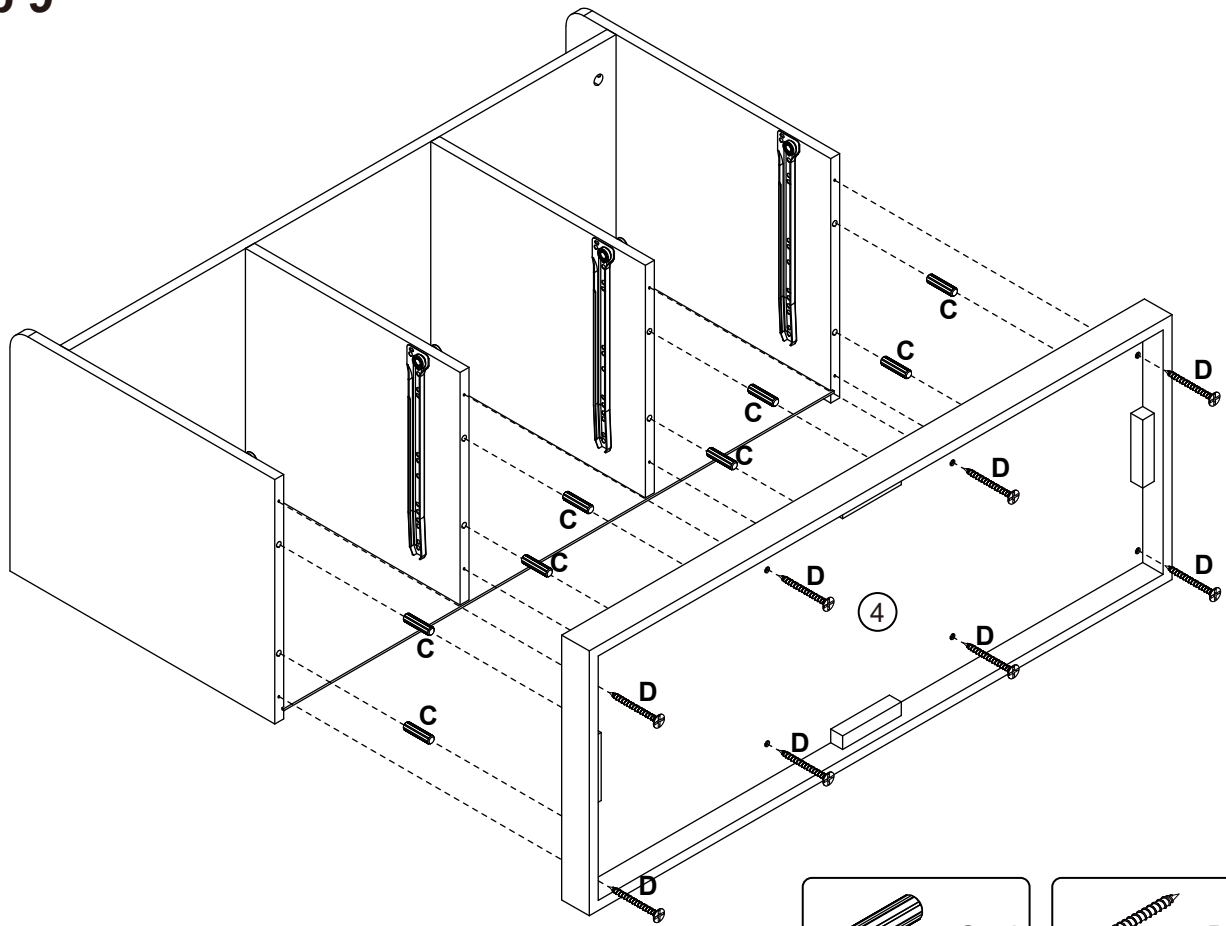
Step 7



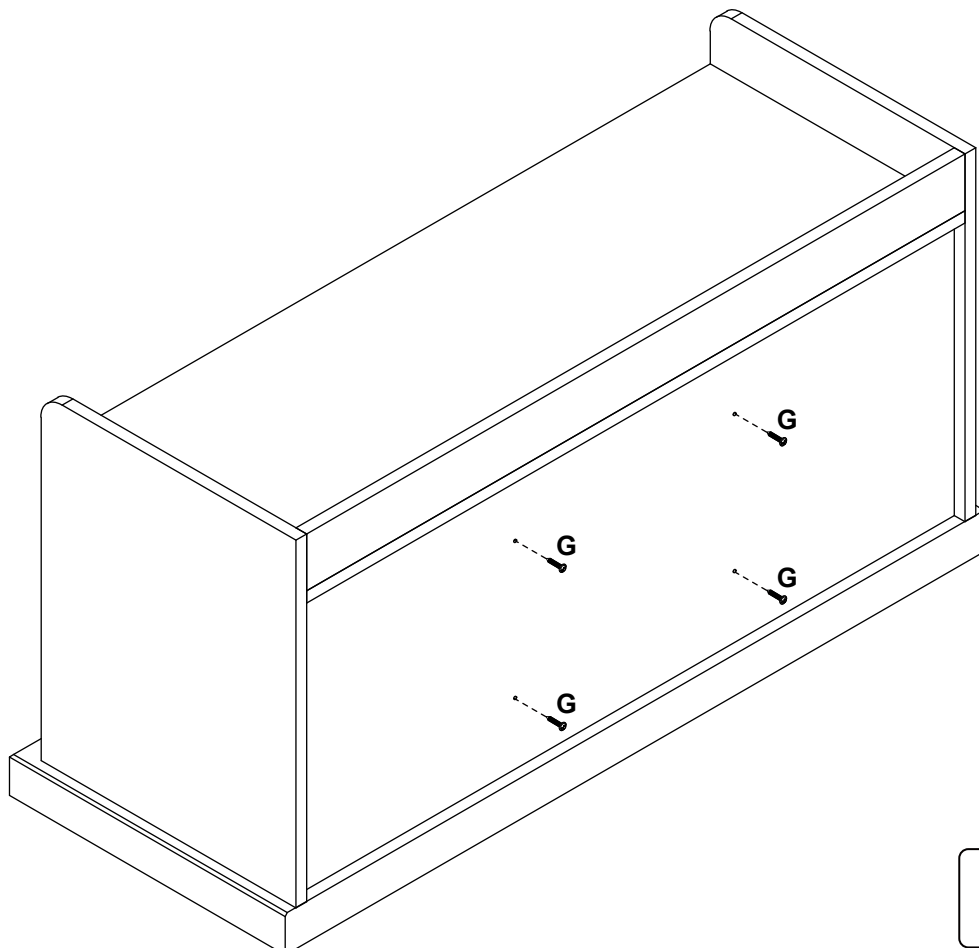
Step 8



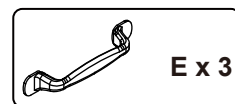
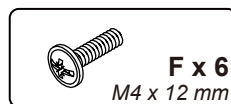
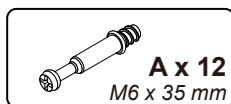
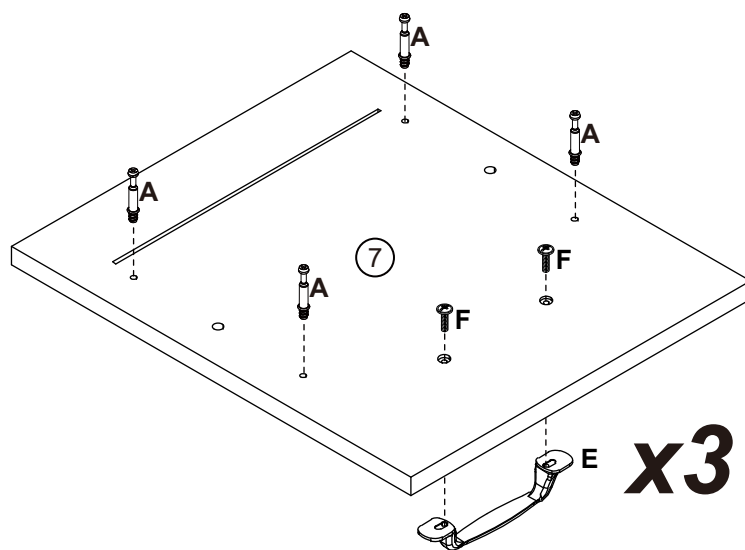
Step 9



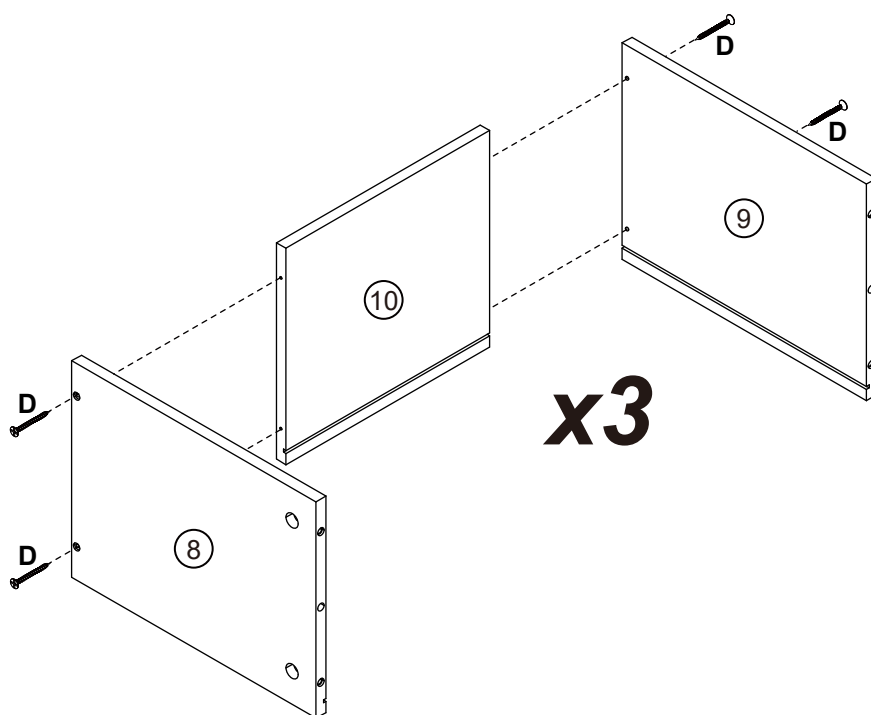
Step 10



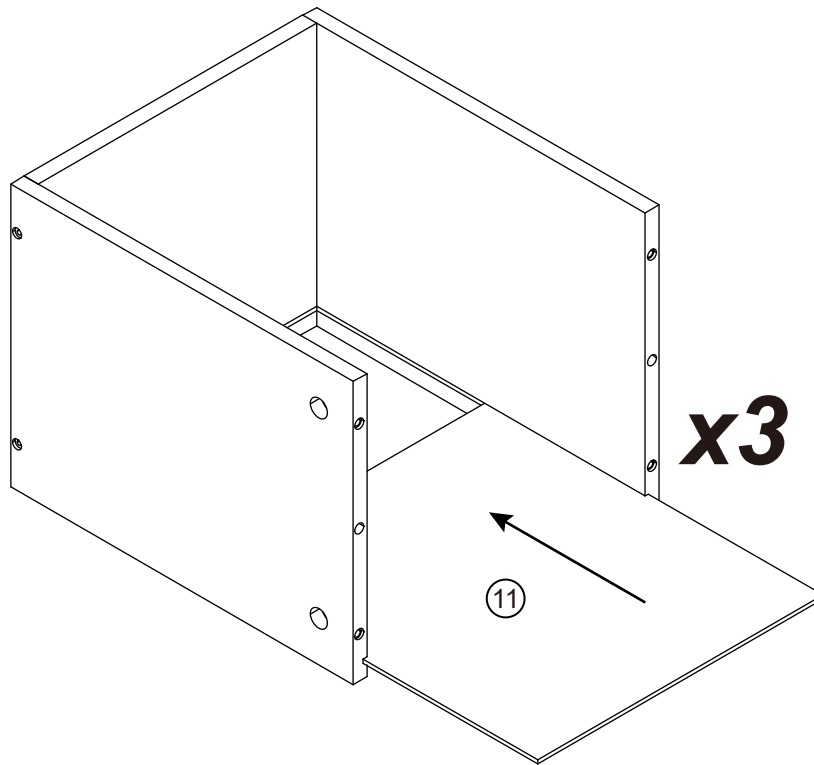
Step 11



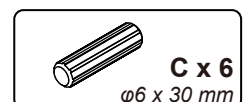
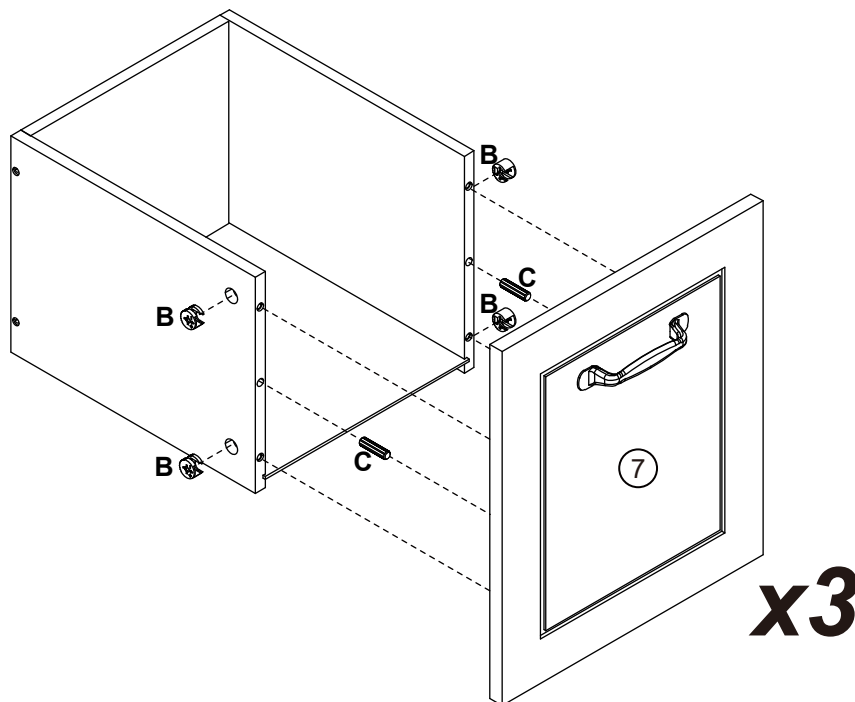
Step 12



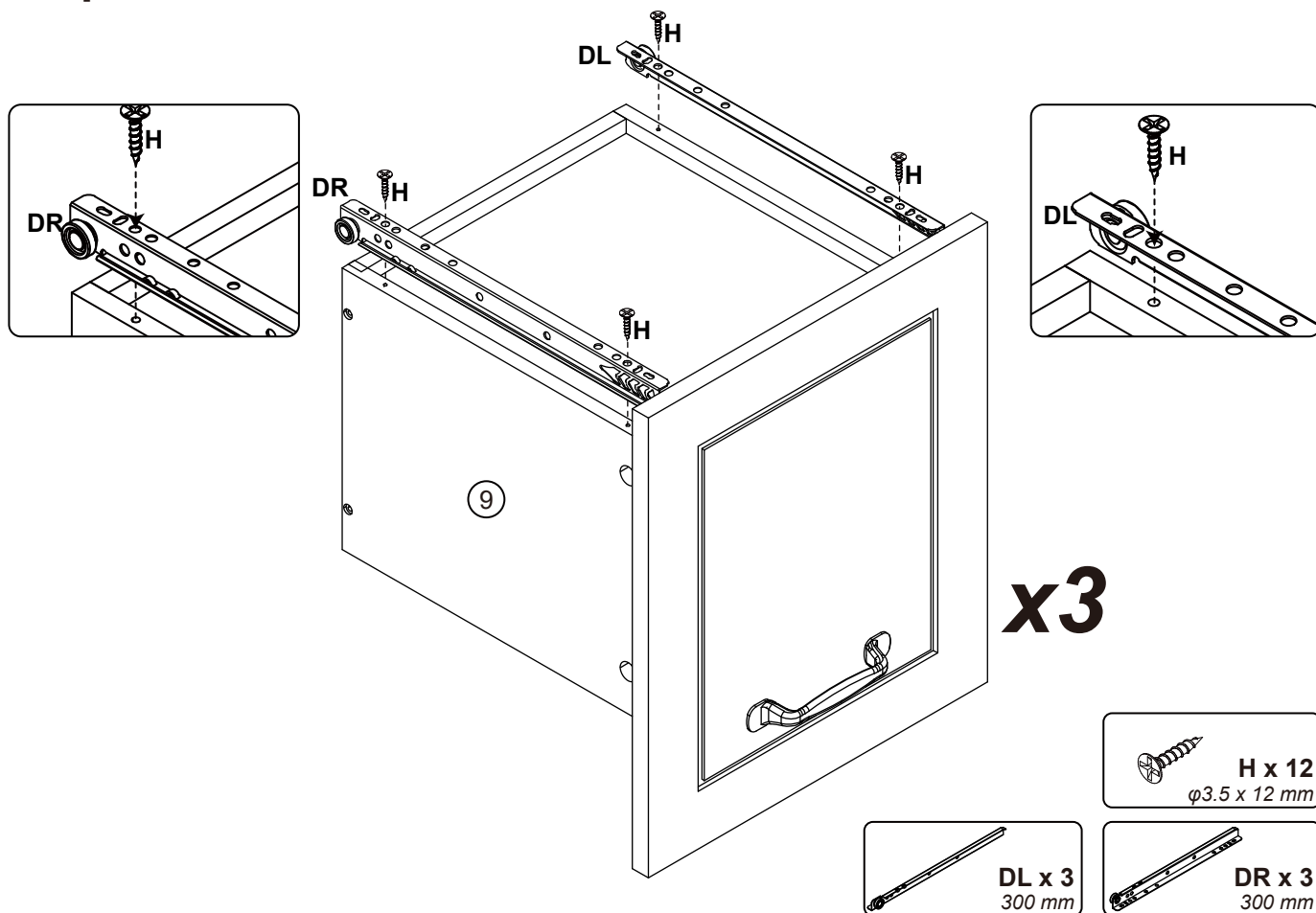
Step 13



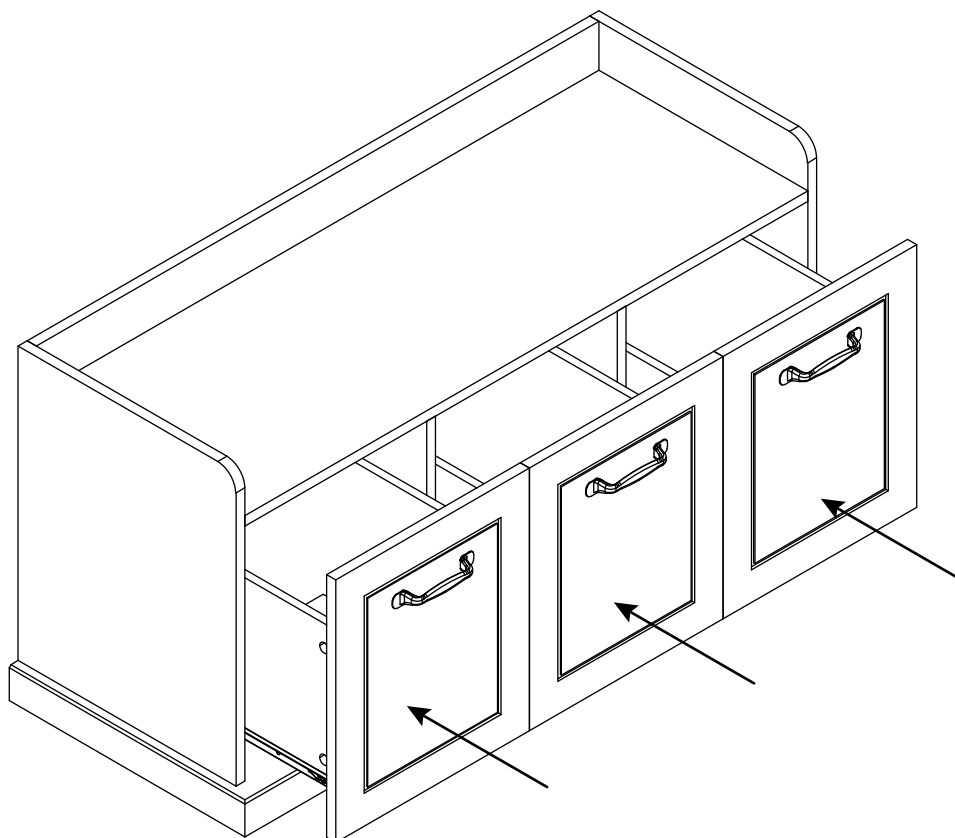
Step 14



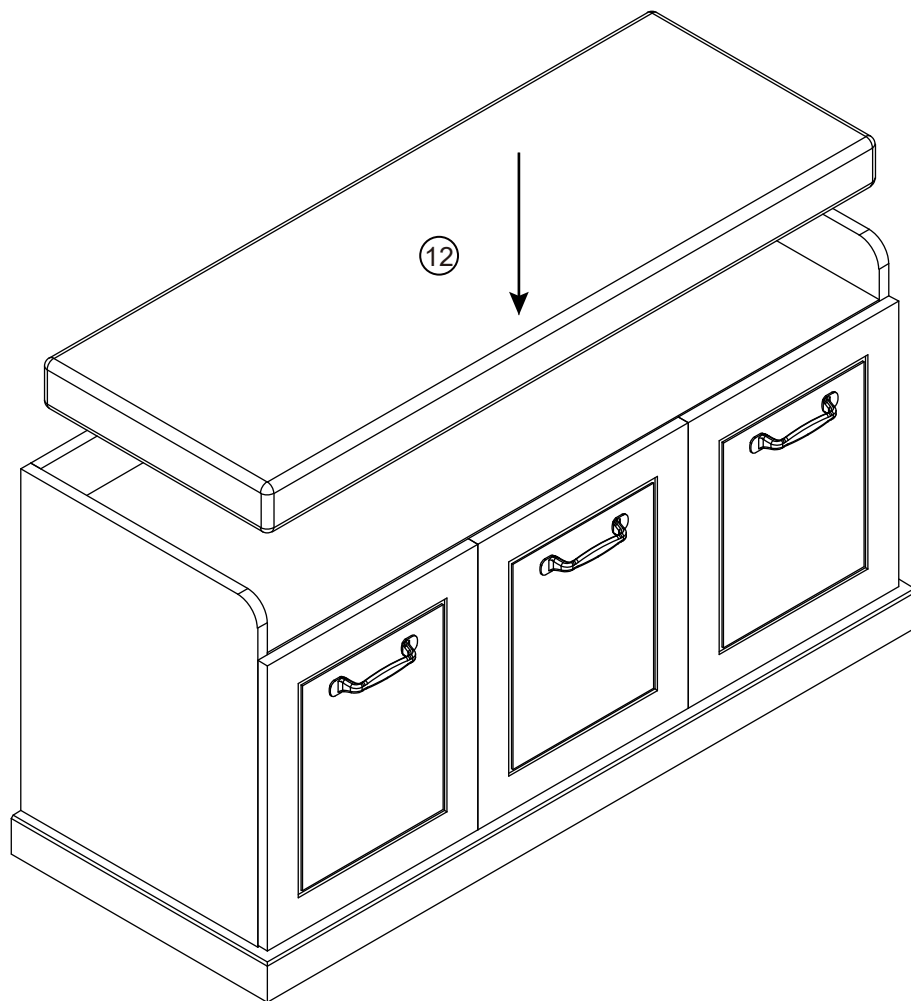
Step 15



Step 16



Step 17



Step 18

